

A

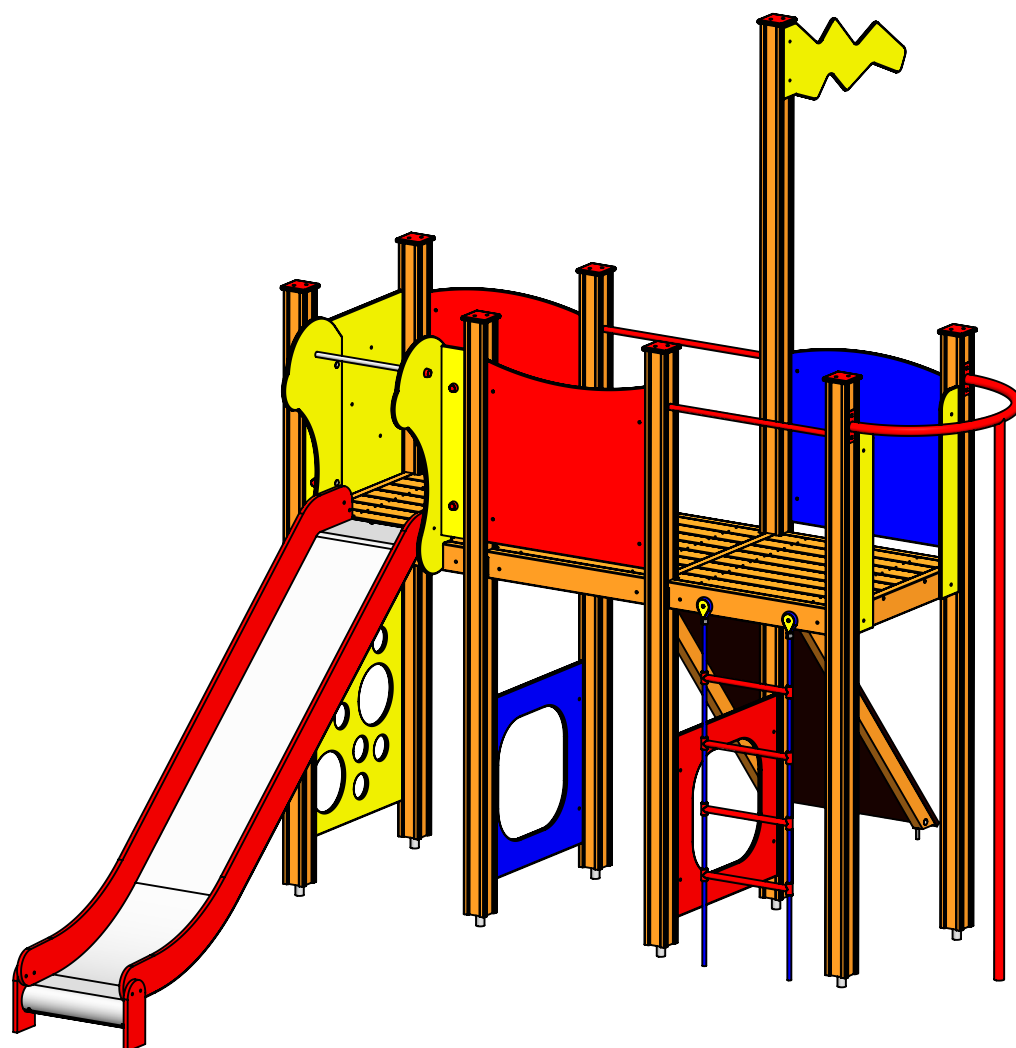
B

C

D

E

F



UNLESS OTHERWISE SPECIFIED:
DIMENSIONS ARE IN MILLIMETERS
WEIGHT ARE IN KILOGRAMM

PART NUMBER / DWG NO.:

LM218

	NAME	SIGNATURE	DATE	REVISION
DRAWN	M.Rebase		14.04.2015	
APPV'D				

DESCRIPTION:

Play Centre INGRID



Tiptaptap OÜ

Tiptaptap OÜ
Veetorni 9,
Jüri alevik, Rae vald,
75301 Harjumaa

MATERIAL:

wood, metal, plastic

A4

WEIGHT:

SCALE: 1:30

SHEET 1 OF 17

safety area

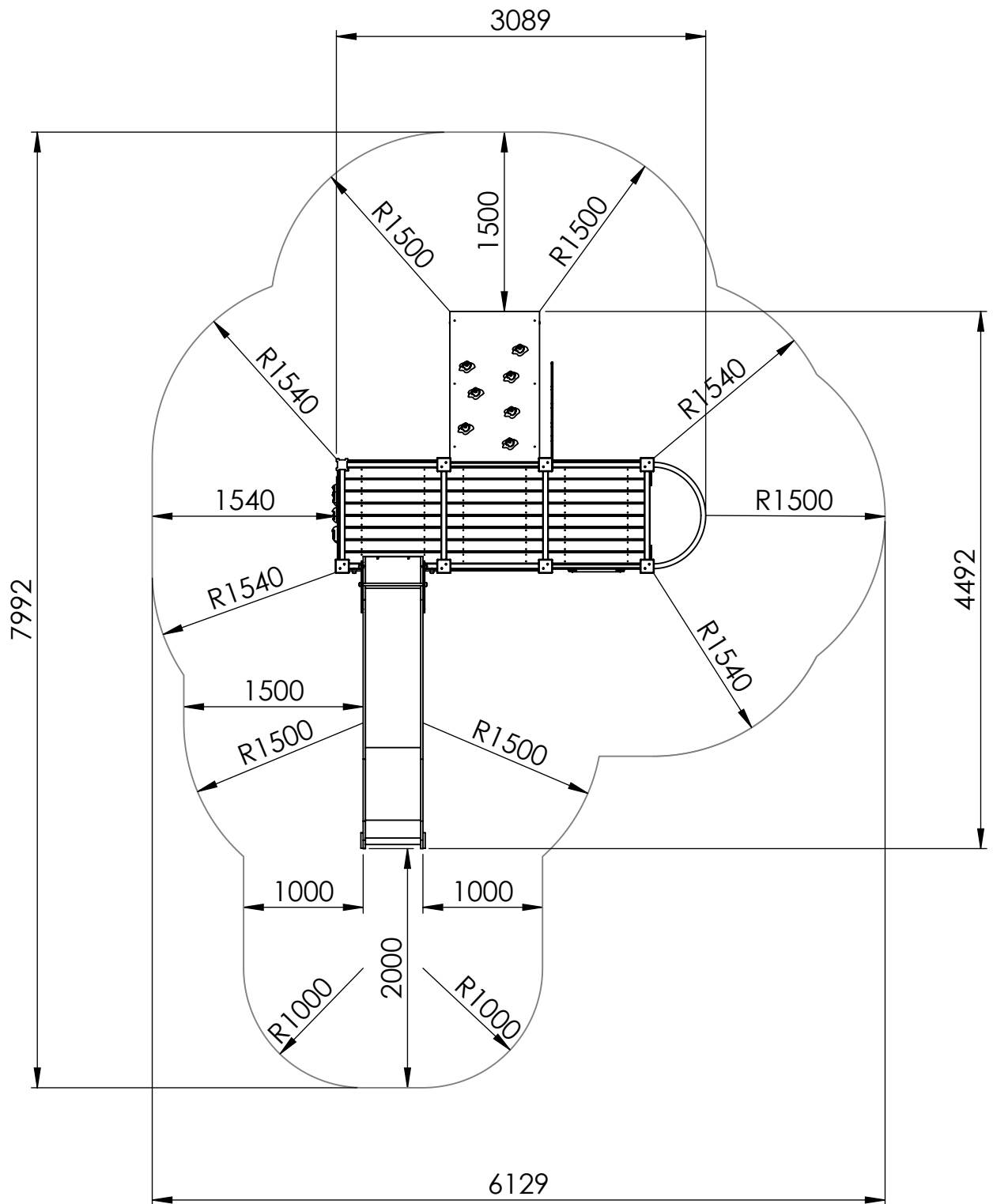
A

B

C

D

E



UNLESS OTHERWISE SPECIFIED:
DIMENSIONS ARE IN MILLIMETERS
WEIGHT ARE IN KILOGRAMM

PART NUMBER / DWG NO.:

LM218

	NAME	SIGNATURE	DATE	REVISION
DRAWN	M.Rebase		14.04.2015	
APPV'D				

DESCRIPTION:

Play Centre INGRID



Tiptaptap OÜ

Tiptaptap OÜ
Veetorni 9,
Jüri alevik, Rae vald,
75301 Harjumaa

MATERIAL:

wood, metal, plastic

A4

WEIGHT:

SCALE: 1:50

SHEET 2 OF 17

A

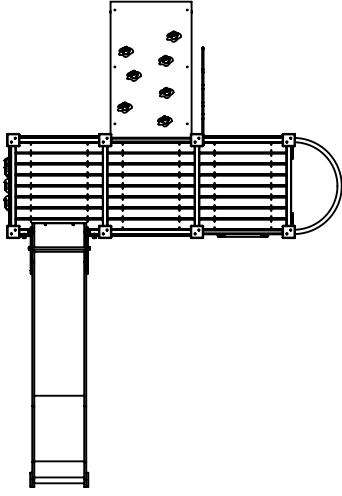
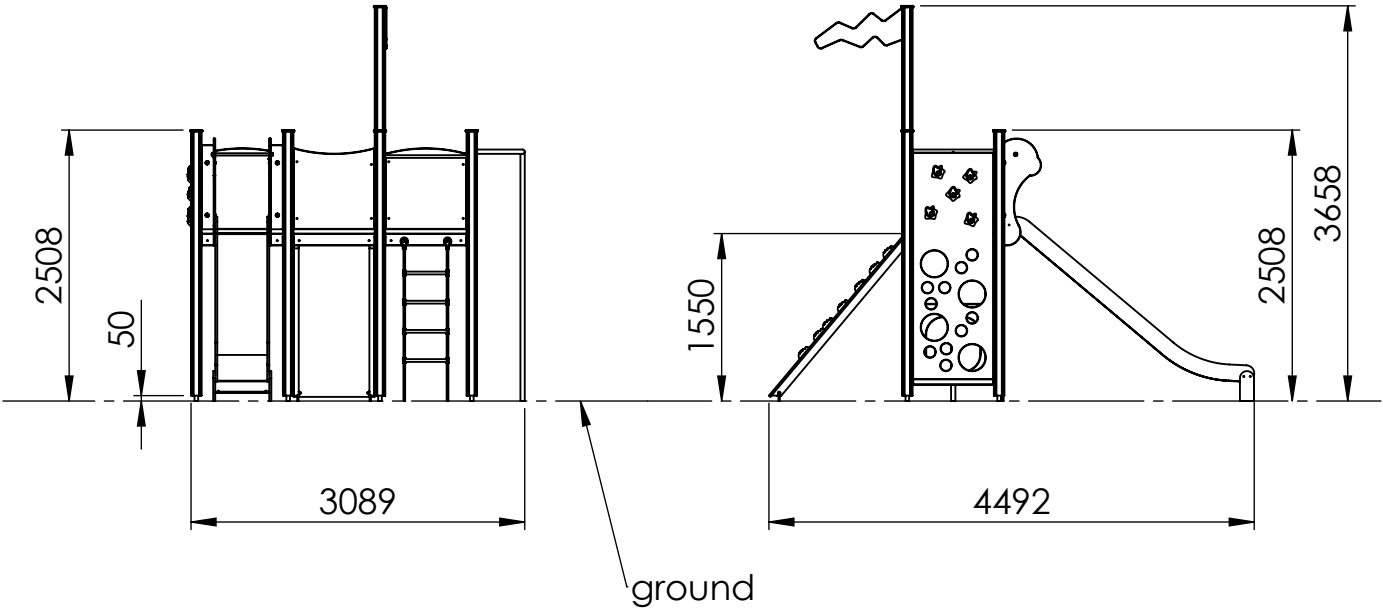
B

C

D

E

F



UNLESS OTHERWISE SPECIFIED:
DIMENSIONS ARE IN MILLIMETERS
WEIGHT ARE IN KILOGRAMM

	NAME	SIGNATURE	DATE	REVISION
DRAWN	M.Rebase		14.04.2015	
APPV'D				

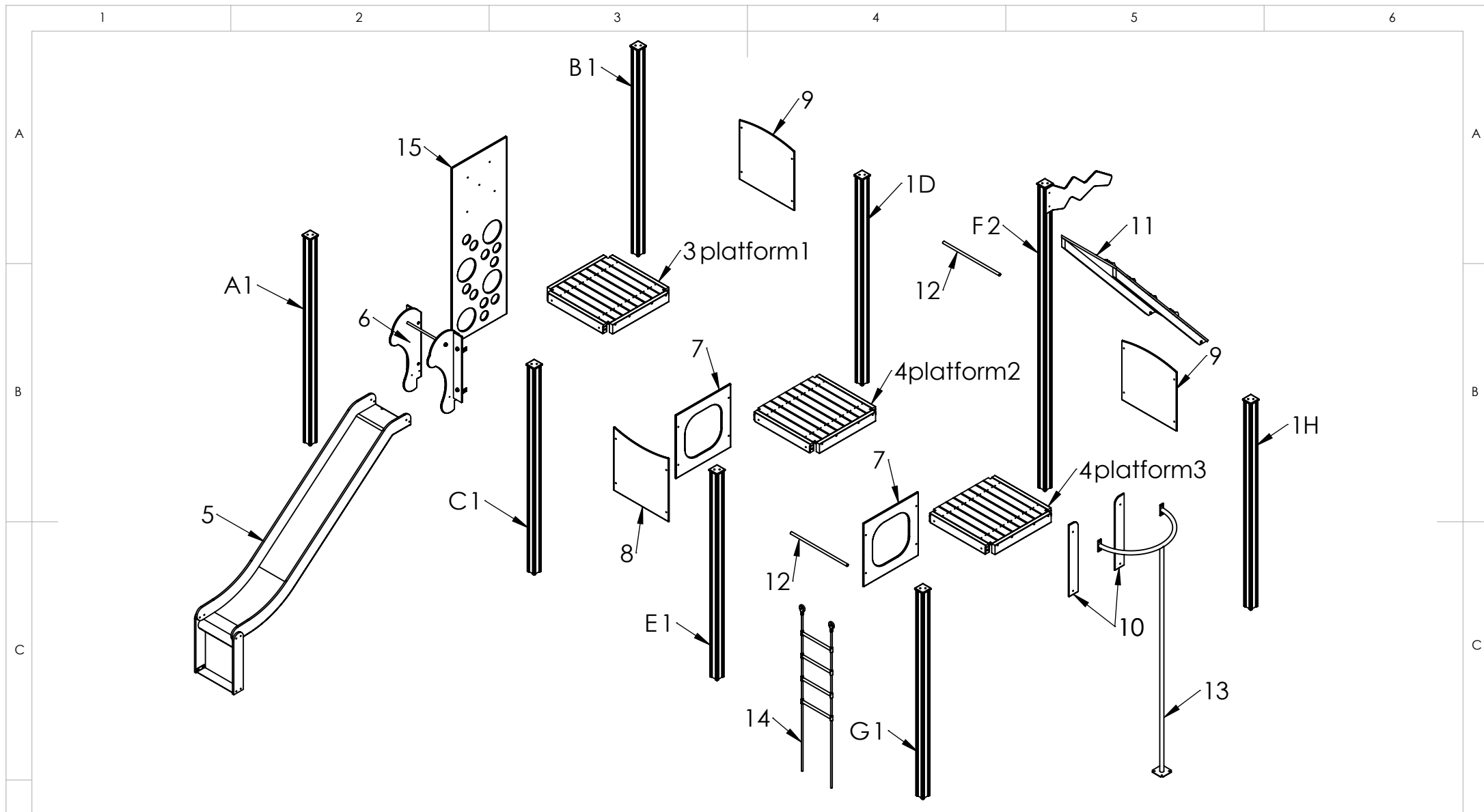
PART NUMBER / DWG NO.:
LM218

DESCRIPTION:
Play Centre INGRID



Tiptaptap OÜ
Veetorni 9,
Jüri alevik, Rae vald,
75301 Harjumaa

MATERIAL:	wood, metal, plastic	A4
WEIGHT:	SCALE: 1:70	SHEET 4 OF 17



UNLESS OTHERWISE SPECIFIED:
 DIMENSIONS ARE IN MILLIMETERS
 WEIGHT ARE IN KILOGRAMM

PART NUMBER / DWG NO.:
LM218

	NAME	SIGNATURE	DATE	REVISION
DRAWN	M.Rebase		14.04.2015	
APPV'D				

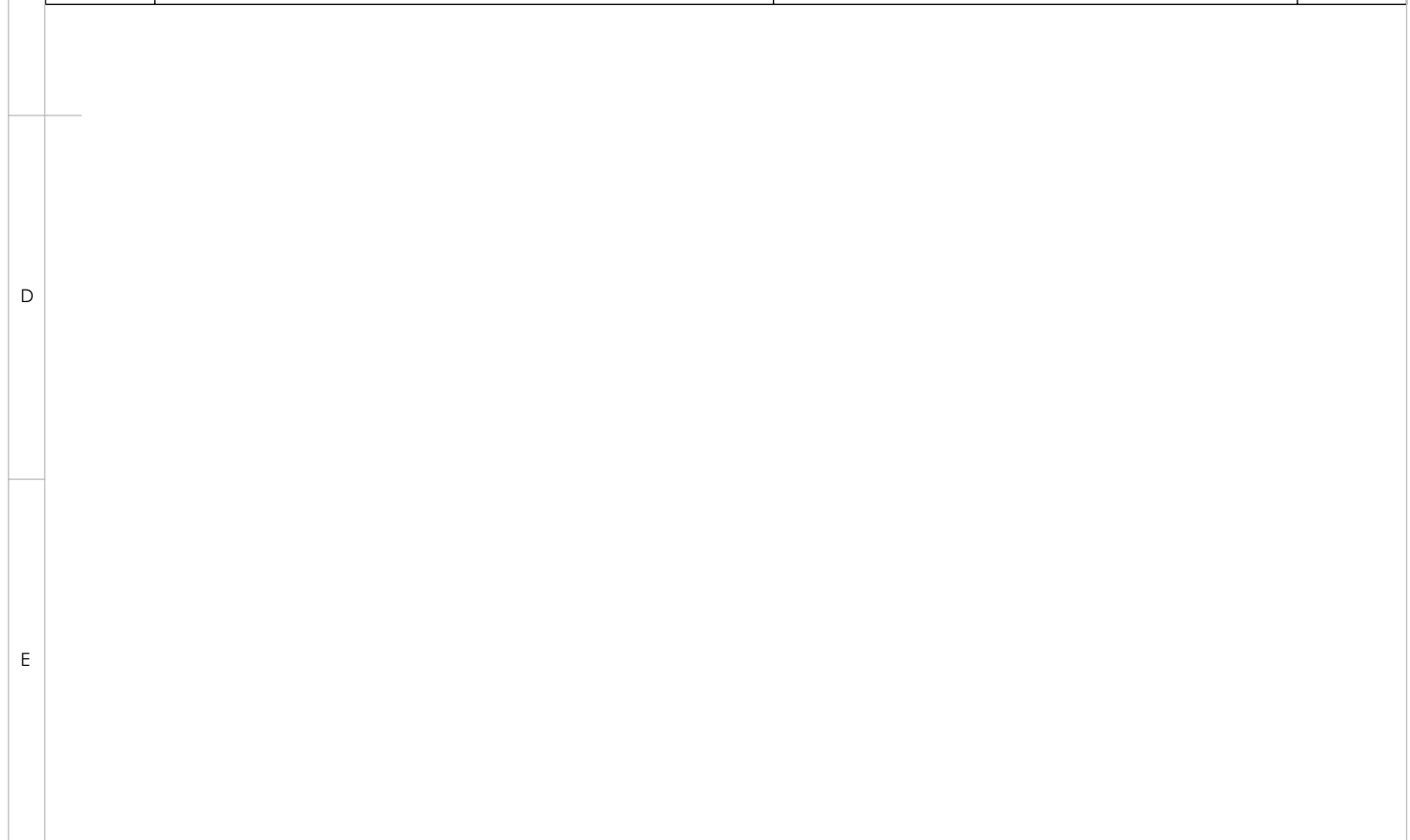
DESCRIPTION:
Play Centre INGRID



Tiptaptap OÜ
 Tiptaptap OÜ
 Veetorni 9,
 Jüri alevik, Rae vald,
 75301 Harjumaa

MATERIAL:	wood, metal, plastic	A4
WEIGHT:	SCALE: 1:50	SHEET 5 OF 17

ITEM NO.	PART NUMBER	DESCRIPTION	QTY.
A 1	post 98x98x2450	laminated wood	7
2	post 98x98x3600	laminated wood	1
3	platform	laminated wood, metal	1
4	platform without side board	laminated wood, metal	2
B 5	slide h_1550	stainless steel, PE plastic	1
6	slide guard block	plywood, metal, plastic	1
7	panel 750x750 with hole	plywood	2
8	panel 750x750	plywood	1
9	panel 750x750	plywood	2
10	panel 850x126	plywood	2
11	climbing ramp	plywood	1
12	guardrail ϕ 25x770	painted steel	2
13	climbing pole	galvanized painted steel	1
14	rope ladder	PP covered steel wire, PE plastic	1
C 15	climbing wall h_750x2100	plywood	1
16	flag	plywood	1



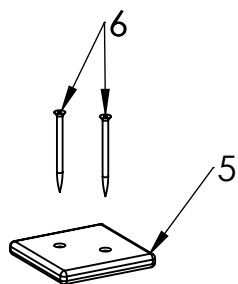
UNLESS OTHERWISE SPECIFIED: DIMENSIONS ARE IN MILLIMETERS WEIGHT ARE IN KILOGRAMM				PART NUMBER / DWG NO.:	
				LM218	
	NAME	SIGNATURE	DATE	REVISION	
DRAWN	M.Rebase		14.04.2015		
APPV'D					
				DESCRIPTION:	
				Play Centre INGRID	
				MATERIAL:	A4
				wood, metal, plastic	
				WEIGHT:	SHEET 6 OF 17
					SCALE: 1:50



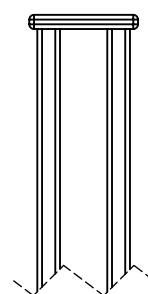
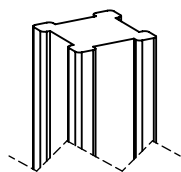
Tiptaptap OÜ

Tiptaptap OÜ
Veetorni 9,
Jüri alevik, Rae vald,
75301 Harjumaa

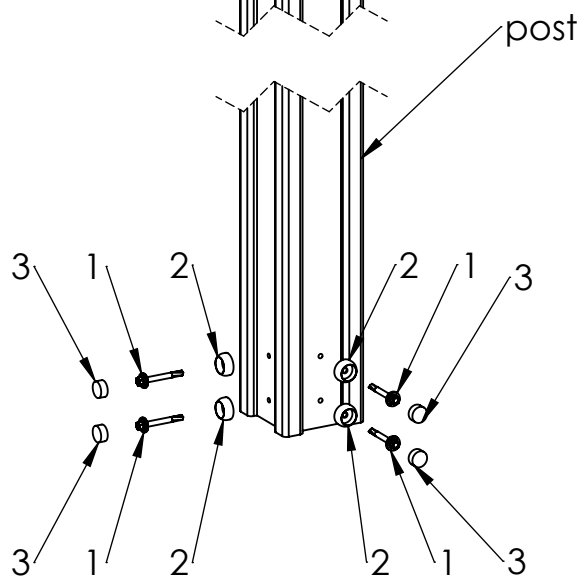
A



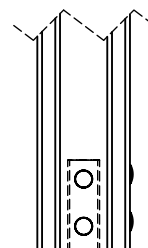
B



C



ground



50

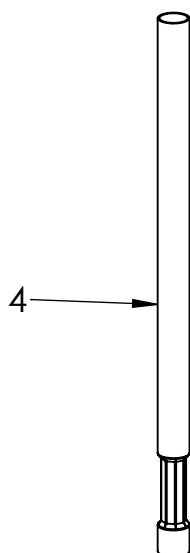
concrete

200

455

500

D


 $\varnothing 300$

E

ITEM NO.	PART NUMBER
1	screw DIN7504K 5,5x50
2	nut cover M6
3	nut cover cap M6
4	metal ground fixing L_600
5	plastic cap 115x115
6	woodscrew 6 x 90

UNLESS OTHERWISE SPECIFIED:
DIMENSIONS ARE IN MILLIMETERS
WEIGHT ARE IN KILOGRAMM

PART NUMBER / DWG NO.:

LM218

	NAME	SIGNATURE	DATE	REVISION
DRAWN	M.Rebase		14.04.2015	
APPV'D				

DESCRIPTION:

Play Centre INGRID
connecting metal ground fixing to post

F



Tiptaptap OÜ

Tiptaptap OÜ
Veetorni 9,
Jüri alevik, Rae vald,
75301 Harjumaa

MATERIAL:

wood, metal, plastic

A4

WEIGHT:

SCALE: 1:8

SHEET 7 OF 17

A

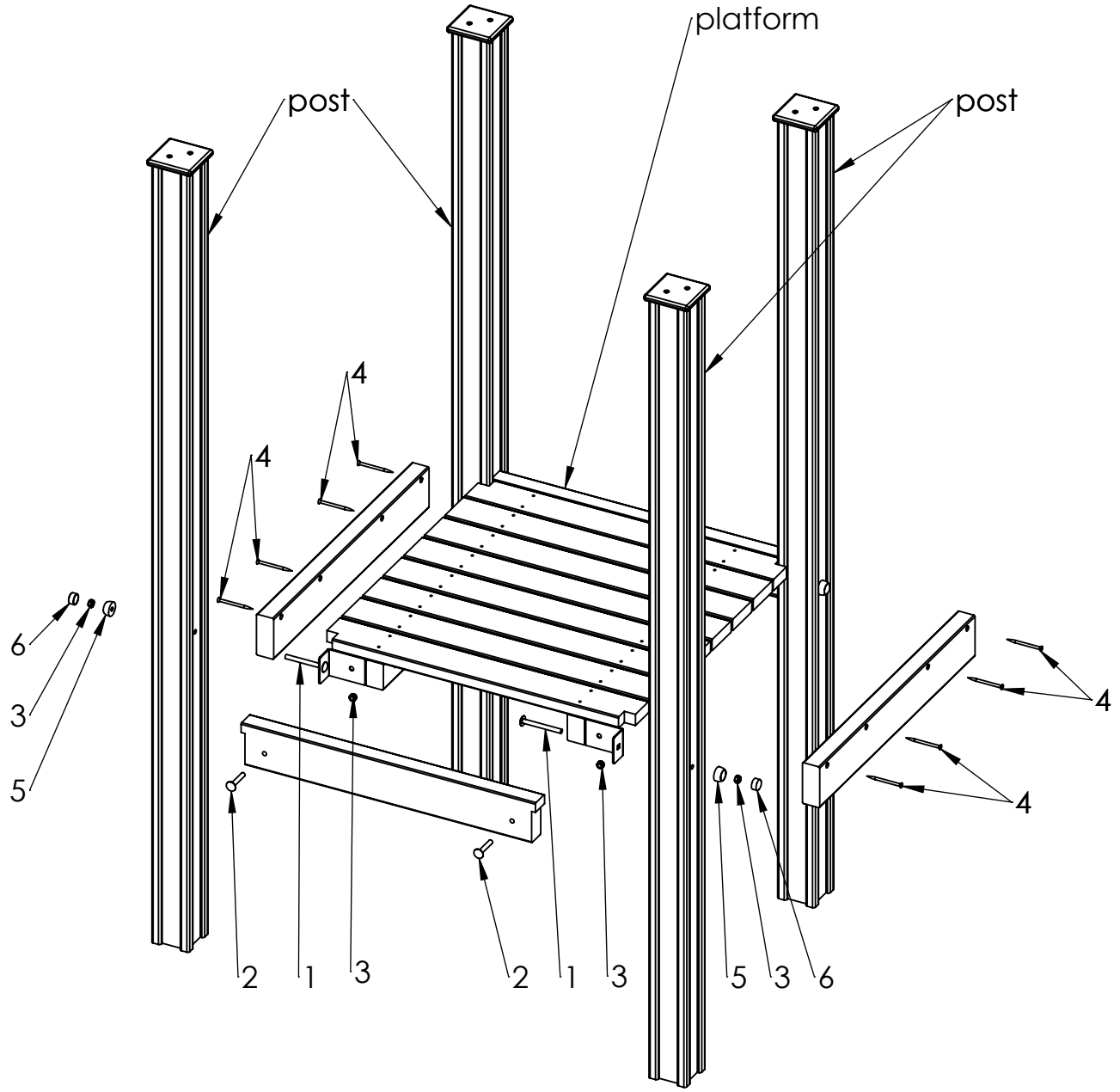
B

C

D

E

F



ITEM NO.	PART NUMBER
1	bolt DIN603 M10x100
2	bolt DIN603 M10x60
3	nut DIN985 M10
4	woodscrew 6 x 90
5	nut cover M10
6	nut cover cap M10

UNLESS OTHERWISE SPECIFIED:
DIMENSIONS ARE IN MILLIMETERS
WEIGHT ARE IN KILOGRAMM

NAME	SIGNATURE	DATE	REVISION
DRAWN M.Rebase		14.04.2015	
APPV'D			

PART NUMBER / DWG NO.:	LM218
DESCRIPTION:	Play Centre INGRID connecting platform to post



Tiptaptap OÜ
Veetorni 9,
Jüri alevik, Rae vald,
75301 Harjumaa

MATERIAL:	wood, metal, plastic	A4
WEIGHT:	SCALE: 1:15	SHEET 8 OF 17

A

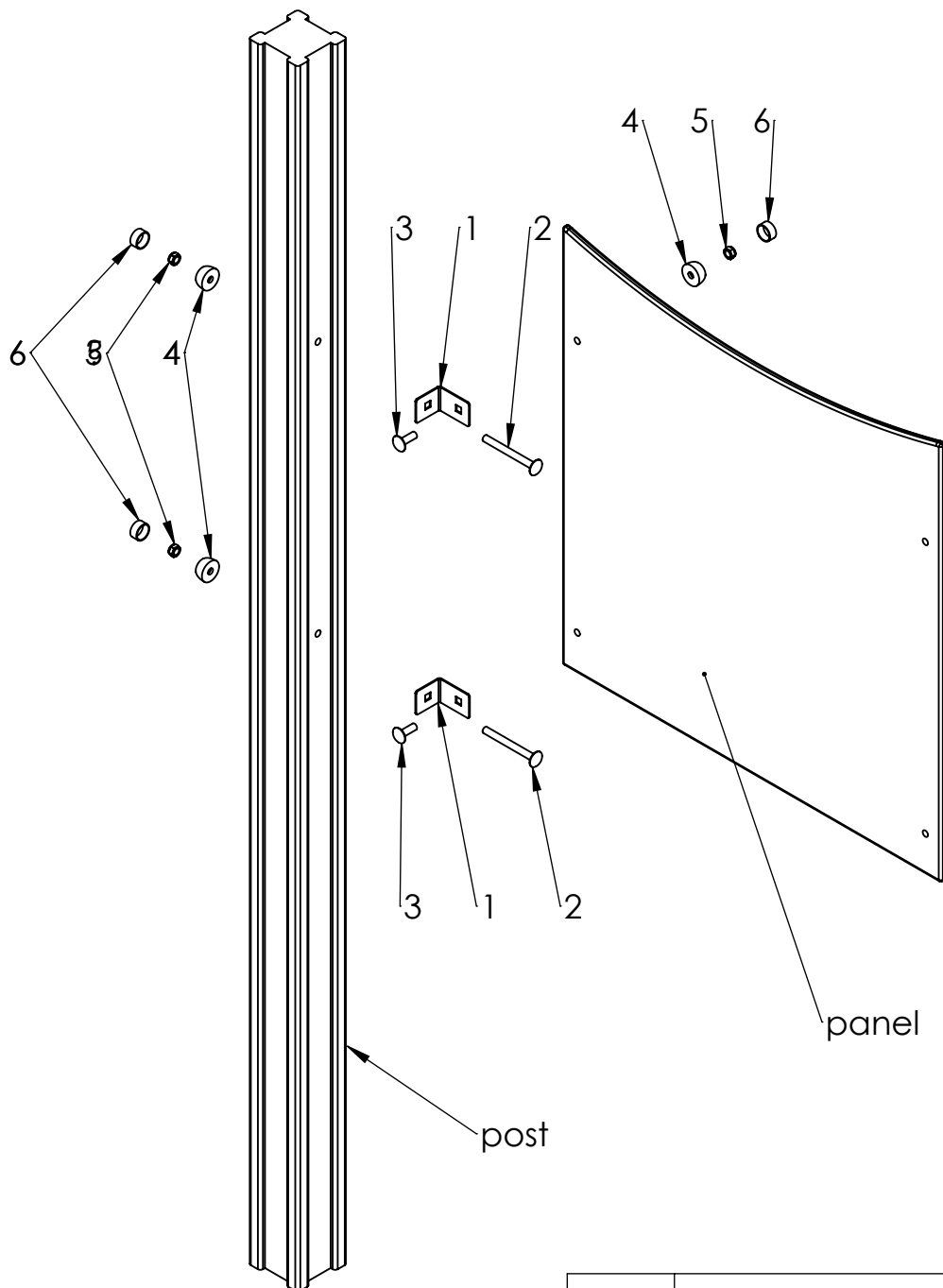
B

C

D

E

F



ITEM NO.	PART NUMBER
1	corner 48x60
2	bolt DIN603 M10x100
3	bolt DIN603 M10x30
4	nut cover M10
5	nut DIN985 M10
6	nut cover cap M10

UNLESS OTHERWISE SPECIFIED:
DIMENSIONS ARE IN MILLIMETERS
WEIGHT ARE IN KILOGRAMM

PART NUMBER / DWG NO.:

LM218

	NAME	SIGNATURE	DATE	REVISION
DRAWN	M.Rebase		14.04.2015	
APPV'D				

DESCRIPTION:

Play Centre INGRID
connecting panel to post

MATERIAL:

wood, metal, plastic

A4

WEIGHT:

SCALE: 1:10

SHEET 9 OF 17



Tiptap OÜ

Tiptap OÜ
Veetorni 9,
Jüri alevik, Rae vald,
75301 Harjumaa

A

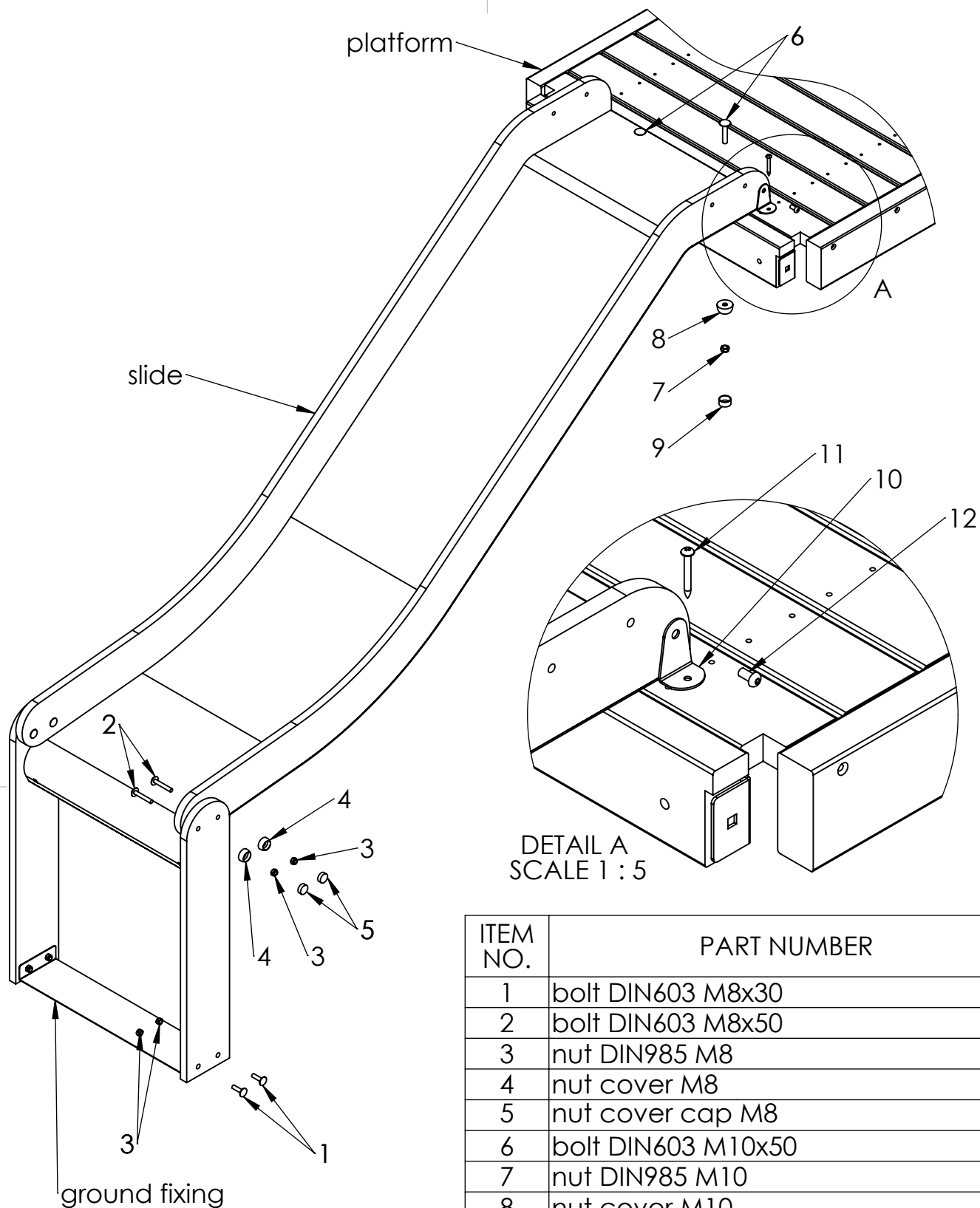
B

C

D

E

F



ITEM NO.	PART NUMBER
1	bolt DIN603 M8x30
2	bolt DIN603 M8x50
3	nut DIN985 M8
4	nut cover M8
5	nut cover cap M8
6	bolt DIN603 M10x50
7	nut DIN985 M10
8	nut cover M10
9	nut cover cap M10
10	corner 58x30
11	screw DIN 7996 d.6x50
12	metal screw DIN 7380 M8x16

UNLESS OTHERWISE SPECIFIED:
DIMENSIONS ARE IN MILLIMETERS
WEIGHT ARE IN KILOGRAMM

	NAME	SIGNATURE	DATE	REVISION
DRAWN	M.Rebase		14.04.2015	
APPV'D				

PART NUMBER / DWG NO.:

LM218

DESCRIPTION:

Play Centre INGRID
connecting slide to platform

MATERIAL:

wood, metal, plastic

A4

WEIGHT:

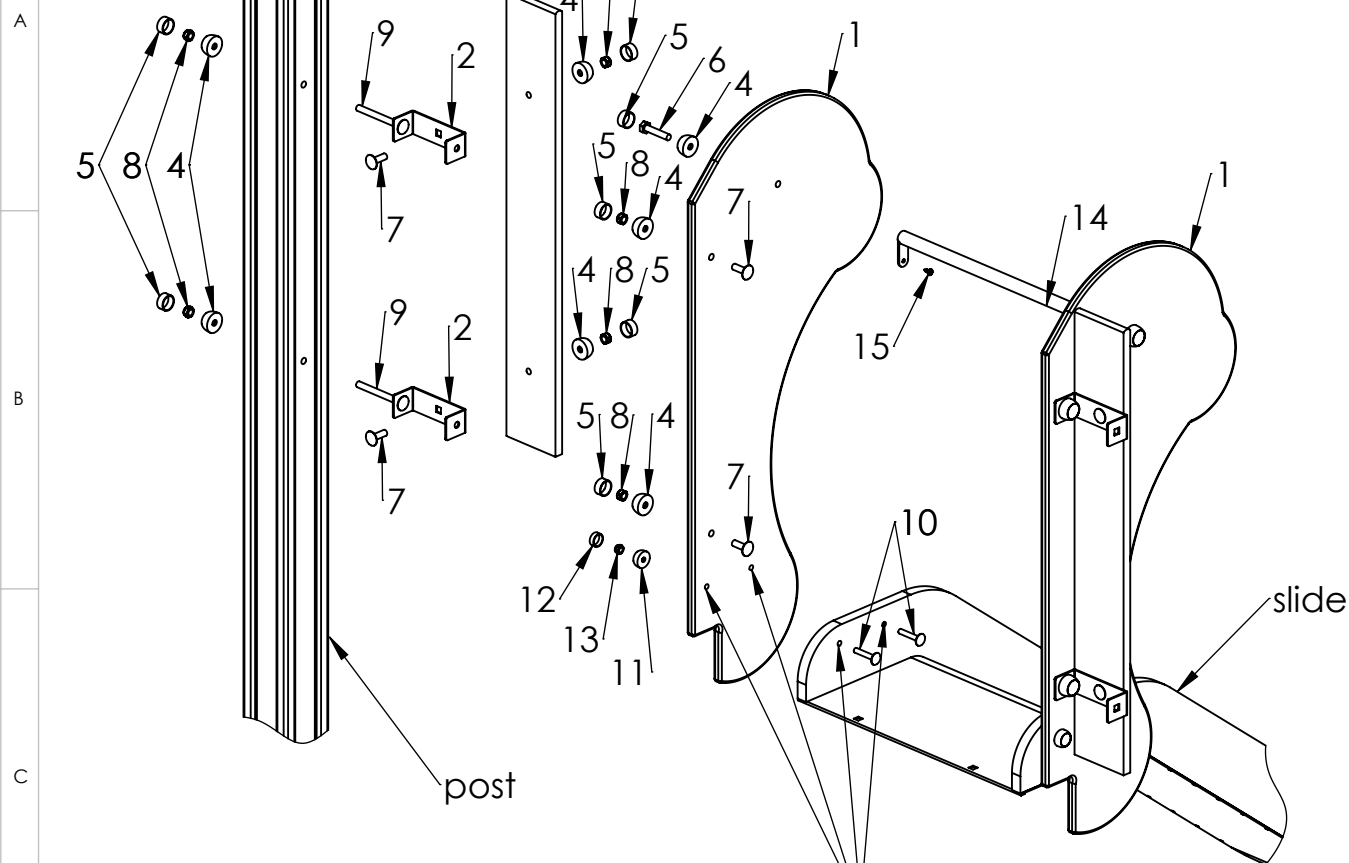
SCALE: 1:12

SHEET 10 OF 17



Tiptap OÜ

Tiptap OÜ
Veetorni 9,
Jüri alevik, Rae vald,
75301 Harjumaa



It is important to drill 8,5mm holes through side panel and slide.

ITEM NO.	PART NUMBER
1	slide side panel
2	slide side panel fixing 40x120
3	side panel 110x780
4	nut cover M10
5	nut cover cap M10
6	bolt DIN931 M10x50
7	bolt DIN603 M10x30
8	nut DIN985 M10
9	bolt DIN603 M10x100
10	bolt DIN603 M8x45
11	nut cover M8
12	nut cover cap M8
13	nut DIN985 M8
14	slide guardrail 2015
15	wood screw 4,8x60

UNLESS OTHERWISE SPECIFIED:
DIMENSIONS ARE IN MILLIMETERS
WEIGHT ARE IN KILOGRAMM

PART NUMBER / DWG NO.:

LM218

	NAME	SIGNATURE	DATE	REVISION
DRAWN	M.Rebase		14.04.2015	
APPV'D				

DESCRIPTION:

Play Centre INGRID
connecting slide guard block to post

MATERIAL:

wood, metal, plastic

A4

WEIGHT:

SCALE: 1:12

SHEET 11 OF 17



Tiptaptap OÜ

Tiptaptap OÜ
Veetorni 9,
Jüri alevik, Rae vald,
75301 Harjumaa

A

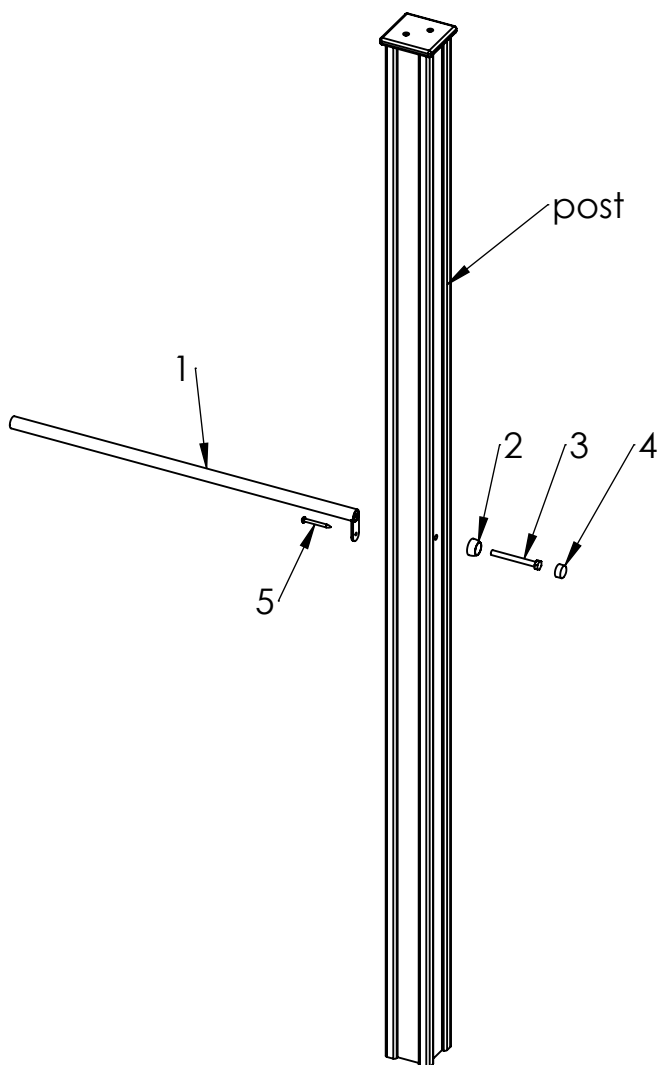
B

C

D

E

F



ITEM NO.	PART NUMBER
1	guardrail ϕ 25x770
2	nut cover M10
3	bolt DIN931 M10x100
4	nut cover cap M10
5	screw DIN7996 6x60

UNLESS OTHERWISE SPECIFIED:
DIMENSIONS ARE IN MILLIMETERS
WEIGHT ARE IN KILOGRAMM

	NAME	SIGNATURE	DATE	REVISION
DRAWN	M.Rebase		14.04.2015	
APPV'D				

PART NUMBER / DWG NO.:

LM218
connecting guardrail to post

DESCRIPTION:

Play Centre INGRID

MATERIAL:

wood, metal, plastic

A4

WEIGHT:

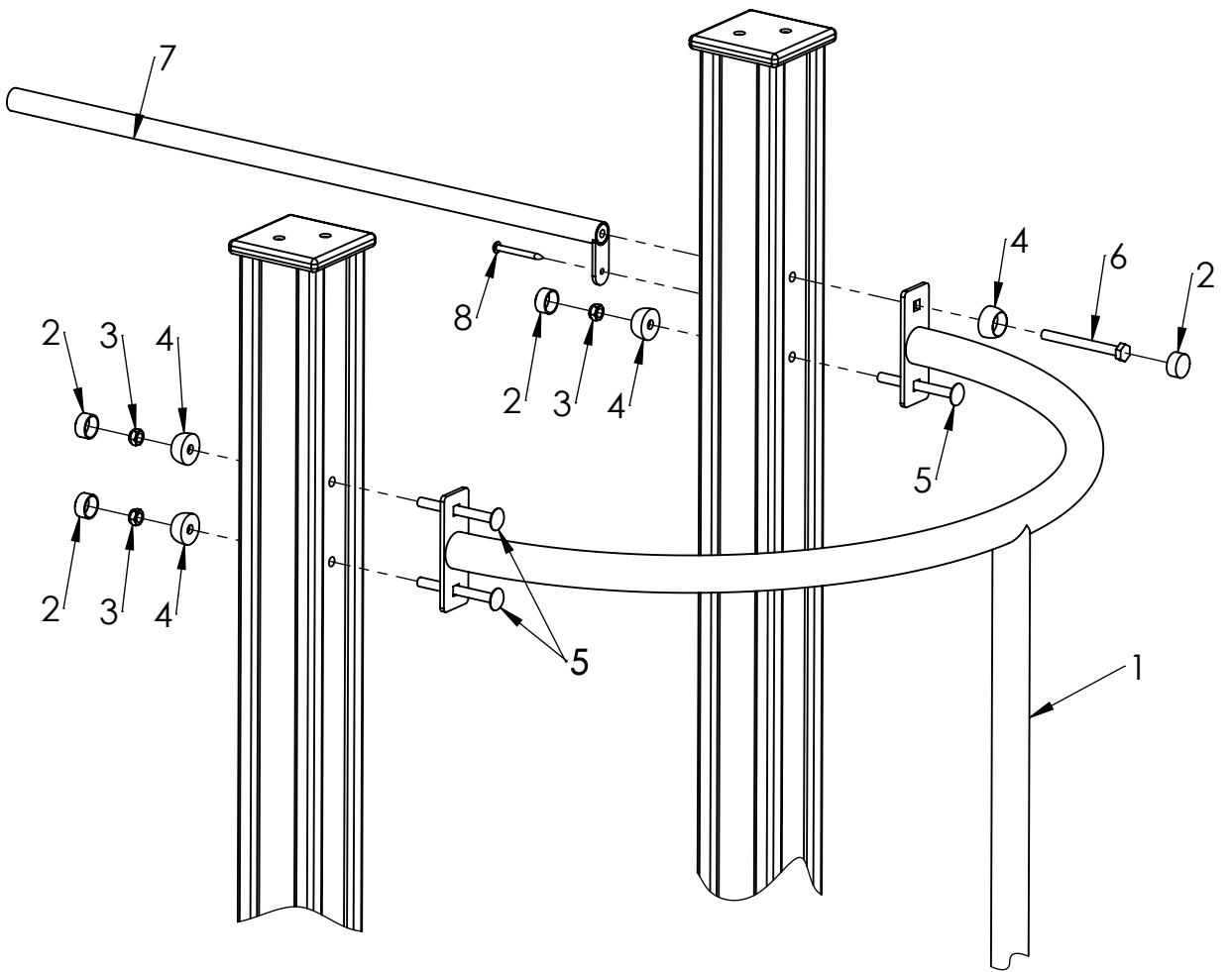
SCALE: 1:15

SHEET 12 OF 17



Tiptaptap OÜ

Tiptaptap OÜ
Veetorni 9,
Jüri alevik, Rae vald,
75301 Harjumaa



ITEM NO.	PART NUMBER
1	climbing pole
2	nut cover cap M10
3	nut DIN985 M10
4	nut cover M10
5	bolt DIN603 M10x100
6	bolt DIN931 M10x100
7	guardrail \varnothing 25x770
8	screw DIN7996 6x60

UNLESS OTHERWISE SPECIFIED:
DIMENSIONS ARE IN MILLIMETERS
WEIGHT ARE IN KILOGRAMM

PART NUMBER / DWG NO.:

LM218

	NAME	SIGNATURE	DATE	REVISION
DRAWN	M.Rebase		14.04.2015	
APPV'D				

DESCRIPTION:

Play Centre INGRID

connecting climbing pole and guardrail to post

MATERIAL:
wood, metal, plastic

A4

WEIGHT:

SCALE: 1:8

SHEET 13 OF 17



Tiptaptap OÜ

Tiptaptap OÜ
Veetorni 9,
Jüri alevik, Rae vald,
75301 Harjumaa

A

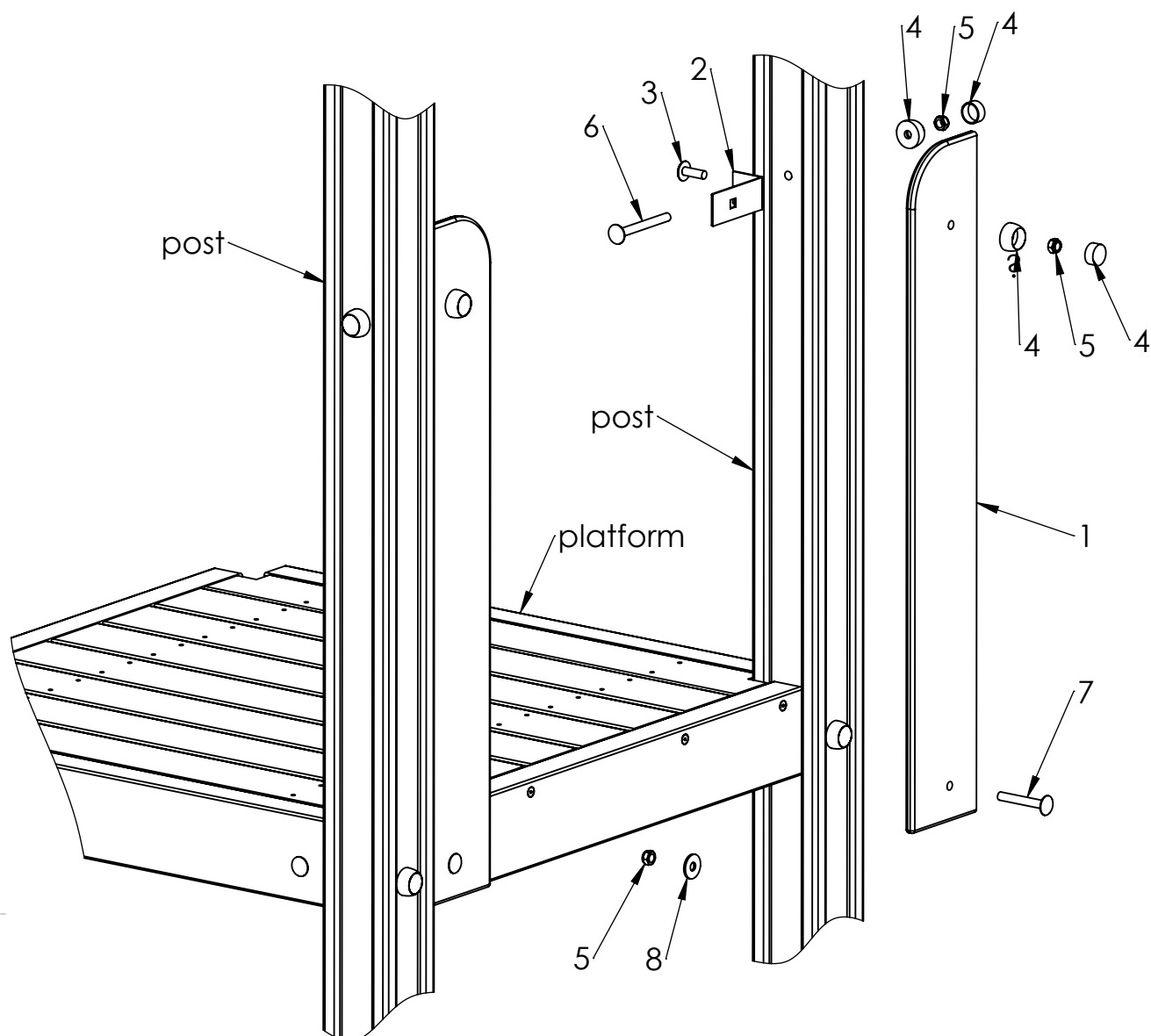
B

C

D

E

F



ITEM NO.	PART NUMBER
1	panel 850x126
2	slide side panel fixing 40x100
3	bolt DIN603 M10x30
4	nut cover with cap
5	nut DIN985 M10
6	bolt DIN603 M10x100
7	bolt DIN603 M10x70
8	washer M10

UNLESS OTHERWISE SPECIFIED:
DIMENSIONS ARE IN MILLIMETERS
WEIGHT ARE IN KILOGRAMM

	NAME	SIGNATURE	DATE	REVISION
DRAWN	M.Rebase		14.04.2015	
APPV'D				

PART NUMBER / DWG NO.:

LM218

DESCRIPTION:

Play Centre INGRID
connecting climbing pole side panel to post

MATERIAL:

wood, metal, plastic

A4

WEIGHT:

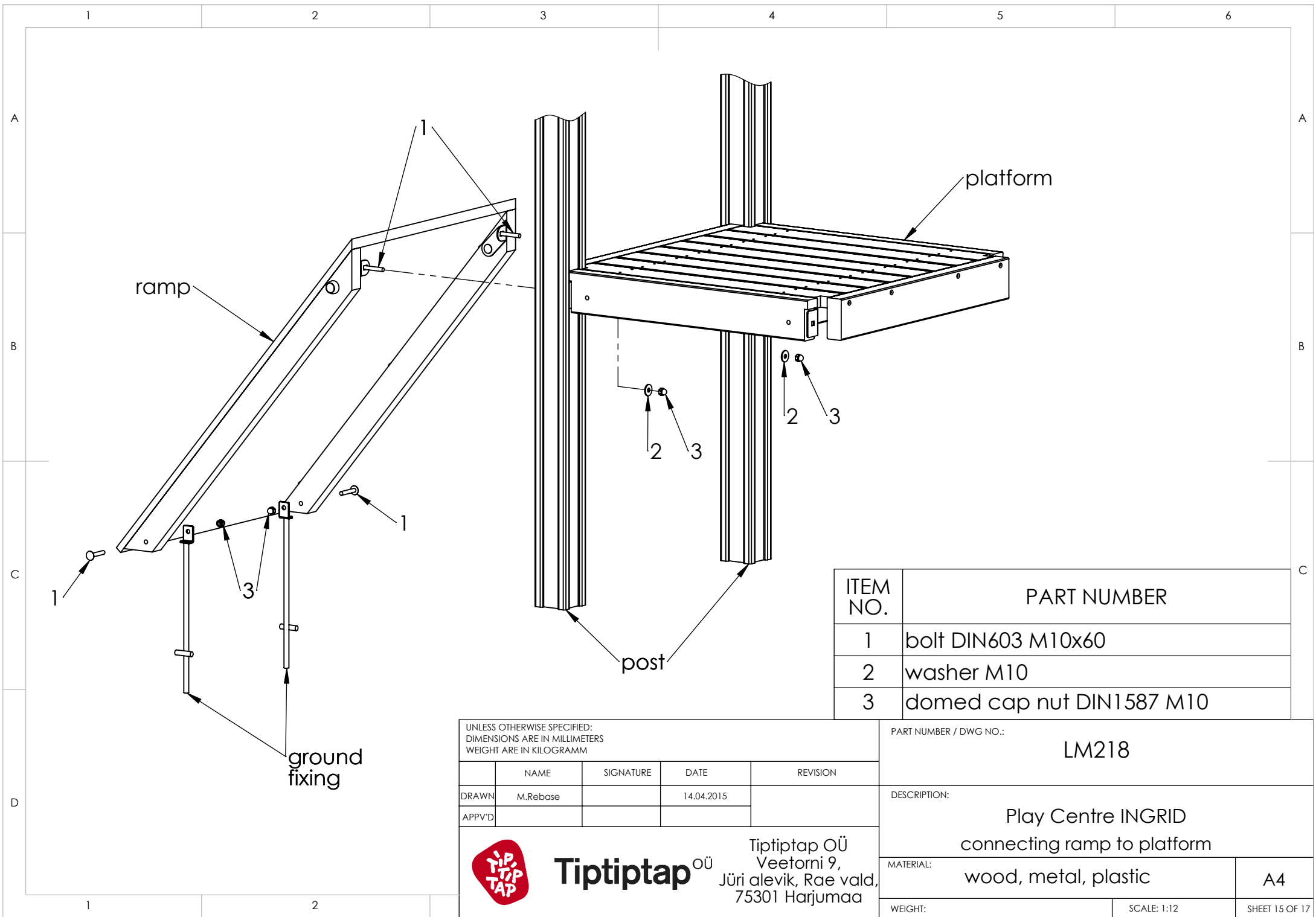
SCALE: 1:8

SHEET 14 OF 17



Tiptap OÜ

Tiptap OÜ
Veetorni 9,
Jüri alevik, Rae vald,
75301 Harjumaa



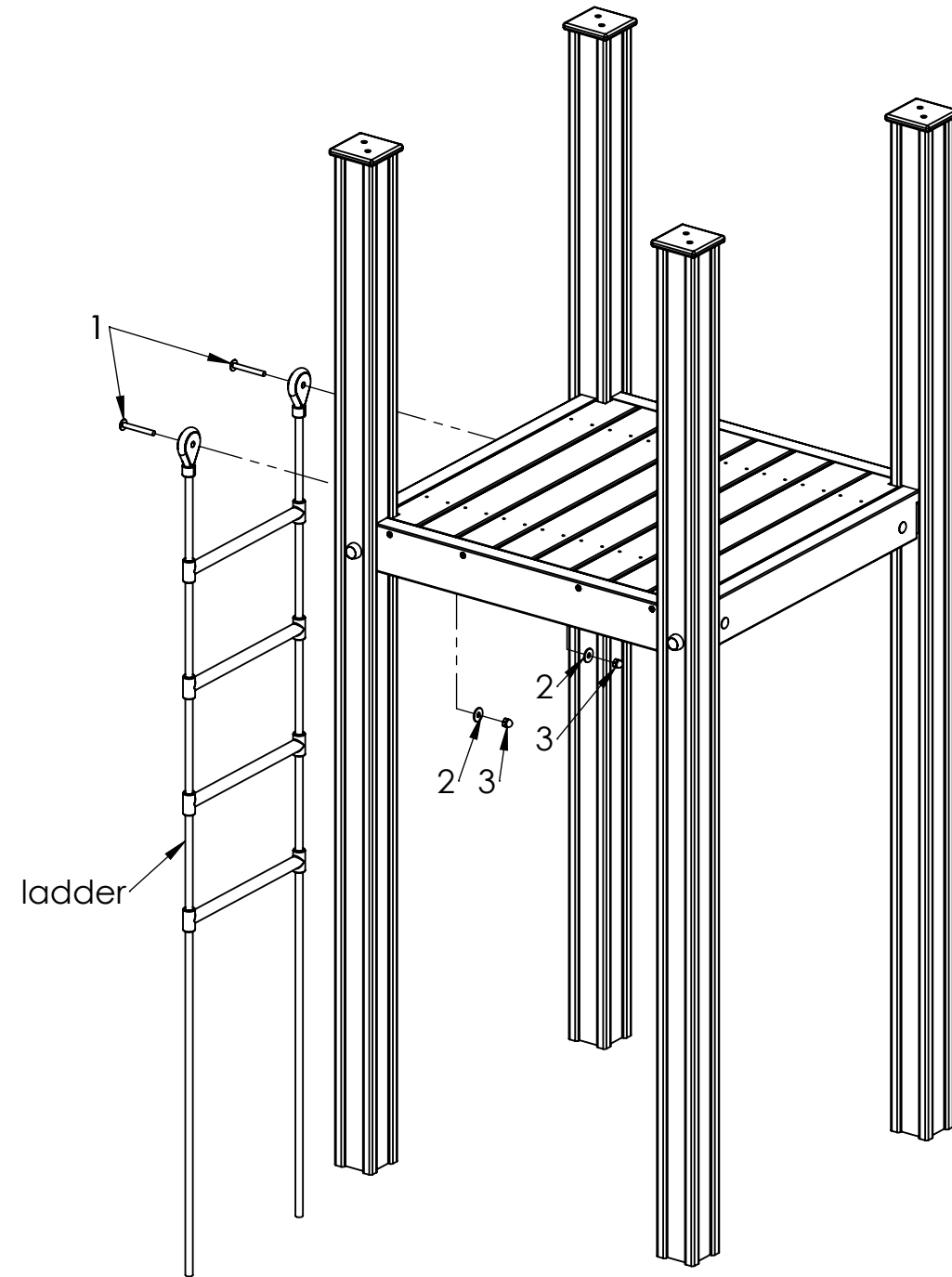
ITEM NO.	PART NUMBER
1	bolt DIN603 M10x60
2	washer M10
3	domed cap nut DIN1587 M10

UNLESS OTHERWISE SPECIFIED:
 DIMENSIONS ARE IN MILLIMETERS
 WEIGHT ARE IN KILOGRAMM

	NAME	SIGNATURE	DATE	REVISION
DRAWN	M.Rebase		14.04.2015	
APPV'D				


Tiptap OÜ
 Tiptap OÜ
 Veetorni 9,
 Jüri alevik, Rae vald,
 75301 Harjumaa

PART NUMBER / DWG NO.:		LM218	
DESCRIPTION:			
Play Centre INGRID connecting ramp to platform			
MATERIAL:		wood, metal, plastic	A4
WEIGHT:		SCALE: 1:12	SHEET 15 OF 17



ITEM NO.	PART NUMBER
1	bolt DIN603 M10x80
2	washer M10
3	domed cap nut DIN1587 M10

UNLESS OTHERWISE SPECIFIED:
DIMENSIONS ARE IN MILLIMETERS
WEIGHT ARE IN KILOGRAMM

PART NUMBER / DWG NO.:

LM218

	NAME	SIGNATURE	DATE	REVISION
DRAWN	M.Rebase		14.04.2015	
APPV'D				

DESCRIPTION:

Play Centre INGRID
connecting ladder to platform

MATERIAL:

wood, metal, plastic

A4

WEIGHT:

SCALE: 1:15

SHEET 16 OF 17



Tiptap OÜ

Tiptap OÜ
Veetorni 9,
Jüri alevik, Rae vald,
75301 Harjumaa

A

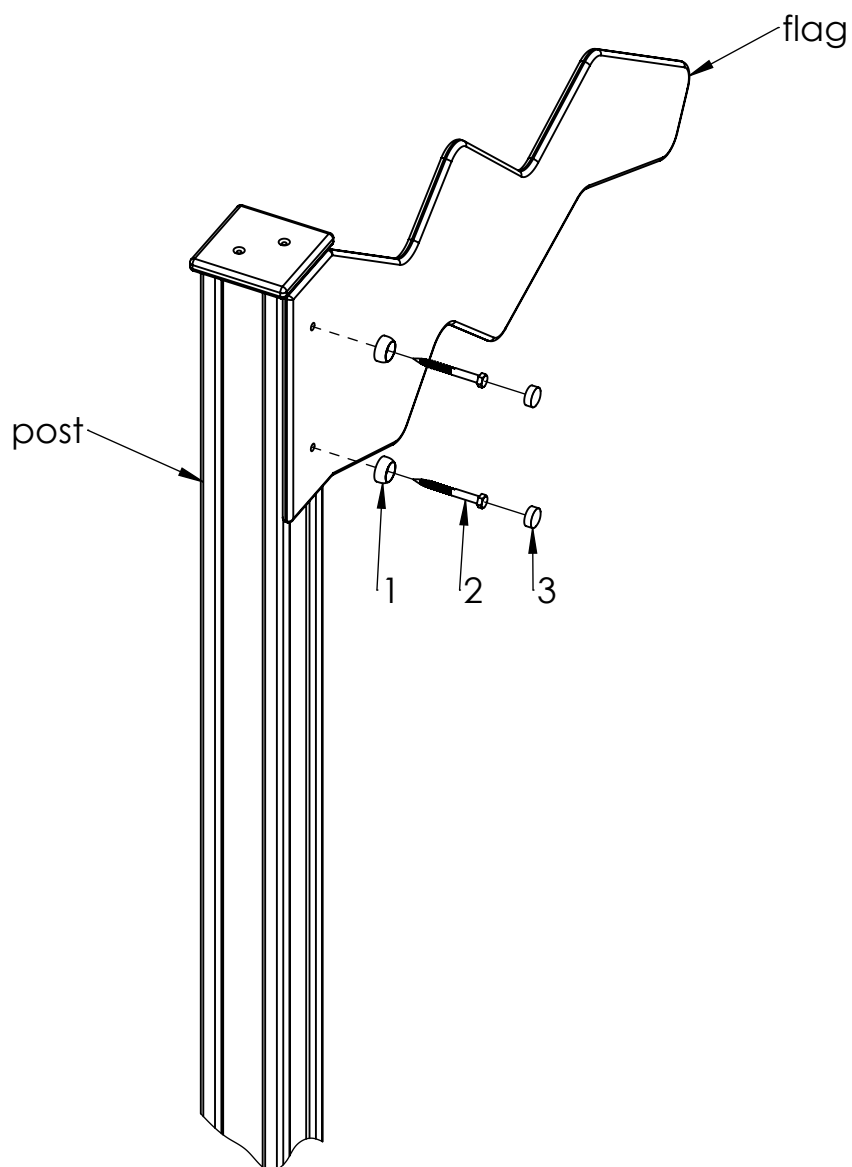
B

C

D

E

F



ITEM NO.	PART NUMBER
1	nut cover M8
2	wood screw DIN571 8x80
3	nut cover cap M8

UNLESS OTHERWISE SPECIFIED:
DIMENSIONS ARE IN MILLIMETERS
WEIGHT ARE IN KILOGRAMM

PART NUMBER / DWG NO.:

LM218

	NAME	SIGNATURE	DATE	REVISION
DRAWN	M.Rebase		14.04.2015	
APPV'D				

DESCRIPTION:

Play Centre INGRID
connecting flag to post

MATERIAL:

wood, metal, plastic

A4

WEIGHT:

SCALE: 1:8

SHEET 17 OF 17



Tiptaptap OÜ

Tiptaptap OÜ
Veetorni 9,
Jüri alevik, Rae vald,
75301 Harjumaa