

A

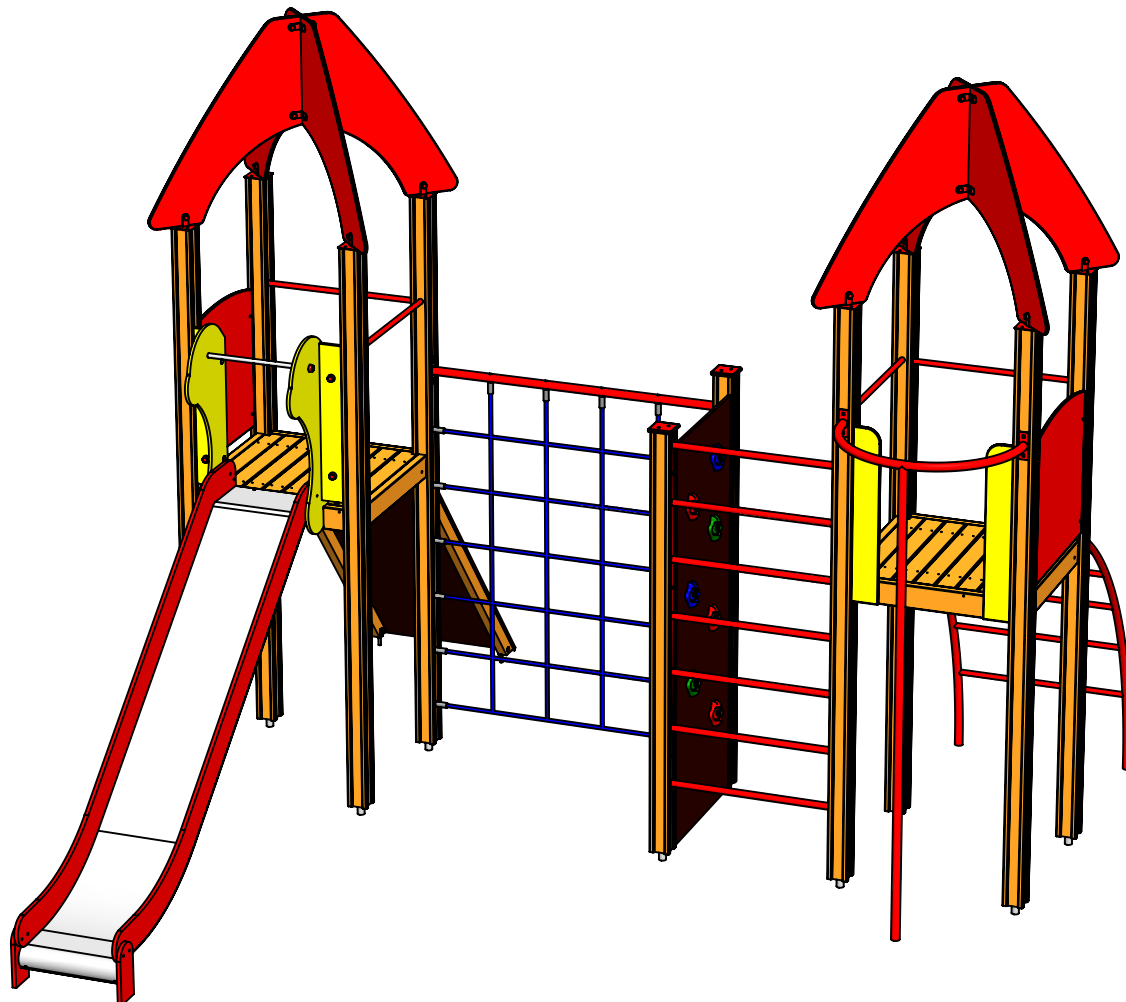
B

C

D

E

F



UNLESS OTHERWISE SPECIFIED:
DIMENSIONS ARE IN MILLIMETERS
WEIGHT ARE IN KILOGRAMM

PART NUMBER / DWG NO.:

LM217

| | NAME | SIGNATURE | DATE | REVISION |
|--------|----------|-----------|------------|----------|
| DRAWN | M.Rebase | | 12.05.2014 | |
| APPV'D | | | | |

DESCRIPTION:

Play Centre HARALD



Tiptaptap OÜ

Tiptaptap OÜ
Veetorni 9,
Jüri alevik, Rae vald,
75301 Harjumaa

MATERIAL:

wood, metal, plastic

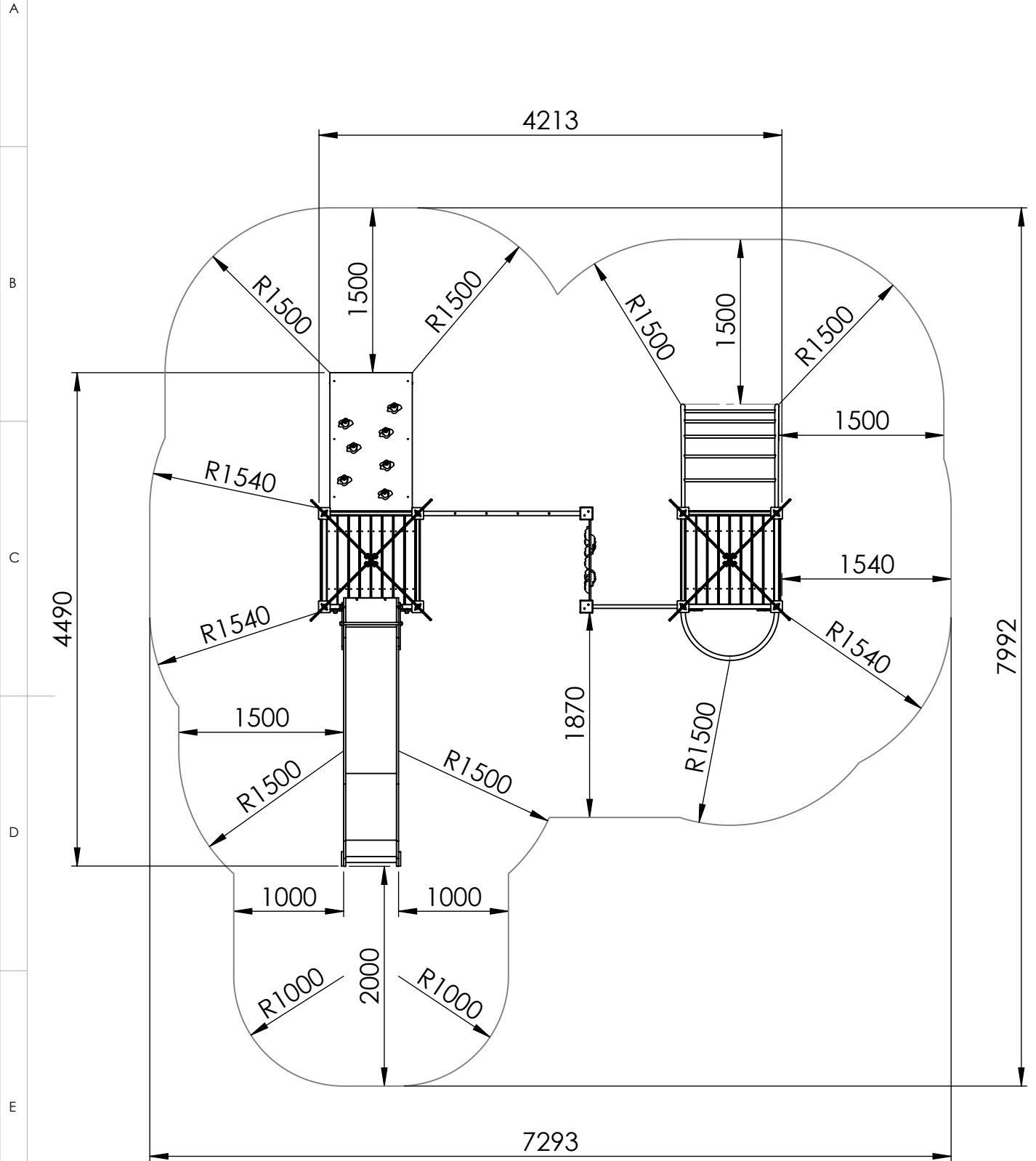
A4

WEIGHT:

SCALE: 1:30

SHEET 1 OF 19

safety area



UNLESS OTHERWISE SPECIFIED:
DIMENSIONS ARE IN MILLIMETERS
WEIGHT ARE IN KILOGRAMM

PART NUMBER / DWG NO.:

LM217

| | NAME | SIGNATURE | DATE | REVISION |
|--------|----------|-----------|------------|----------|
| DRAWN | M.Rebase | | 12.05.2014 | |
| APPV'D | | | | |

DESCRIPTION:

Play Centre HARALD



Tiptaptap OÜ

Tiptaptap OÜ
Veetorni 9,
Jüri alevik, Rae vald,
75301 Harjumaa

MATERIAL:

wood, metal, plastic

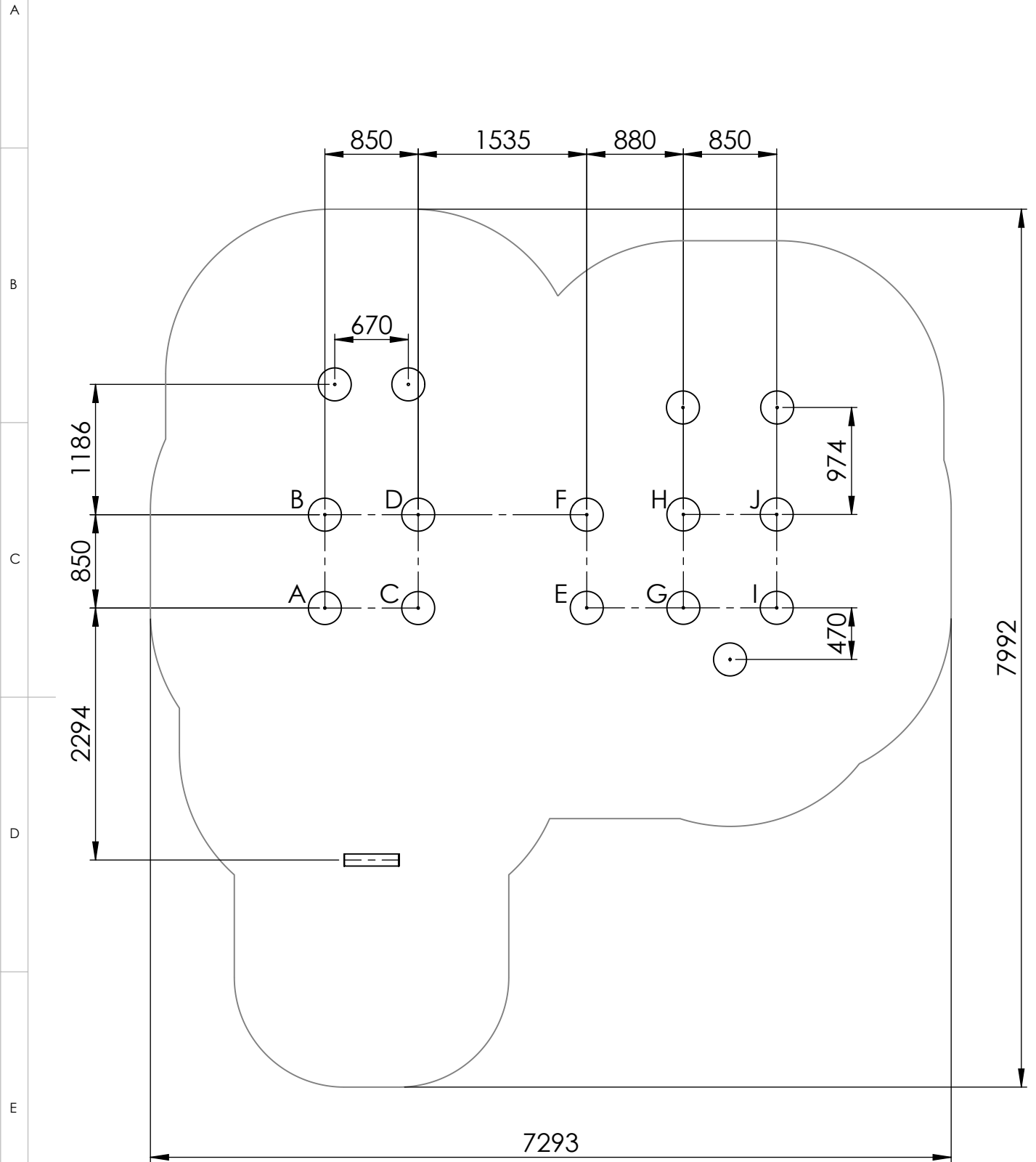
A4

WEIGHT:

SCALE: 1:50

SHEET 2 OF 19

foundation



depth of foundation 500mm

UNLESS OTHERWISE SPECIFIED:
DIMENSIONS ARE IN MILLIMETERS
WEIGHT ARE IN KILOGRAMM

PART NUMBER / DWG NO.:

LM217

| | NAME | SIGNATURE | DATE | REVISION |
|--------|----------|-----------|------------|----------|
| DRAWN | M.Rebase | | 12.05.2014 | |
| APPV'D | | | | |

DESCRIPTION:

Play Centre HARALD



Tiptaptap OÜ

Tiptaptap OÜ
Veetorni 9,
Jüri alevik, Rae vald,
75301 Harjumaa

MATERIAL:

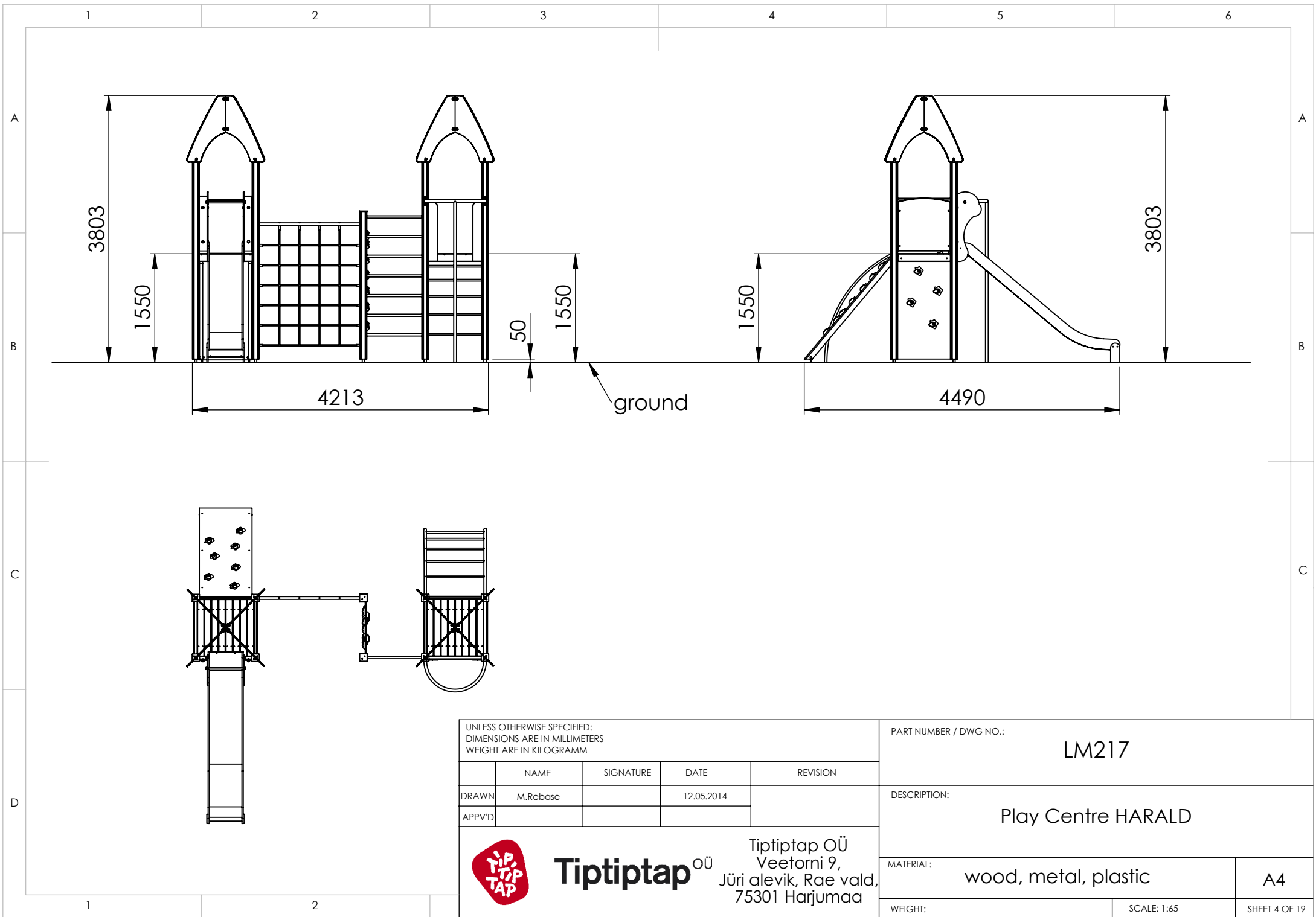
wood, metal, plastic

A4

WEIGHT:

SCALE: 1:50

SHEET 3 OF 19



UNLESS OTHERWISE SPECIFIED:
 DIMENSIONS ARE IN MILLIMETERS
 WEIGHT ARE IN KILOGRAMM

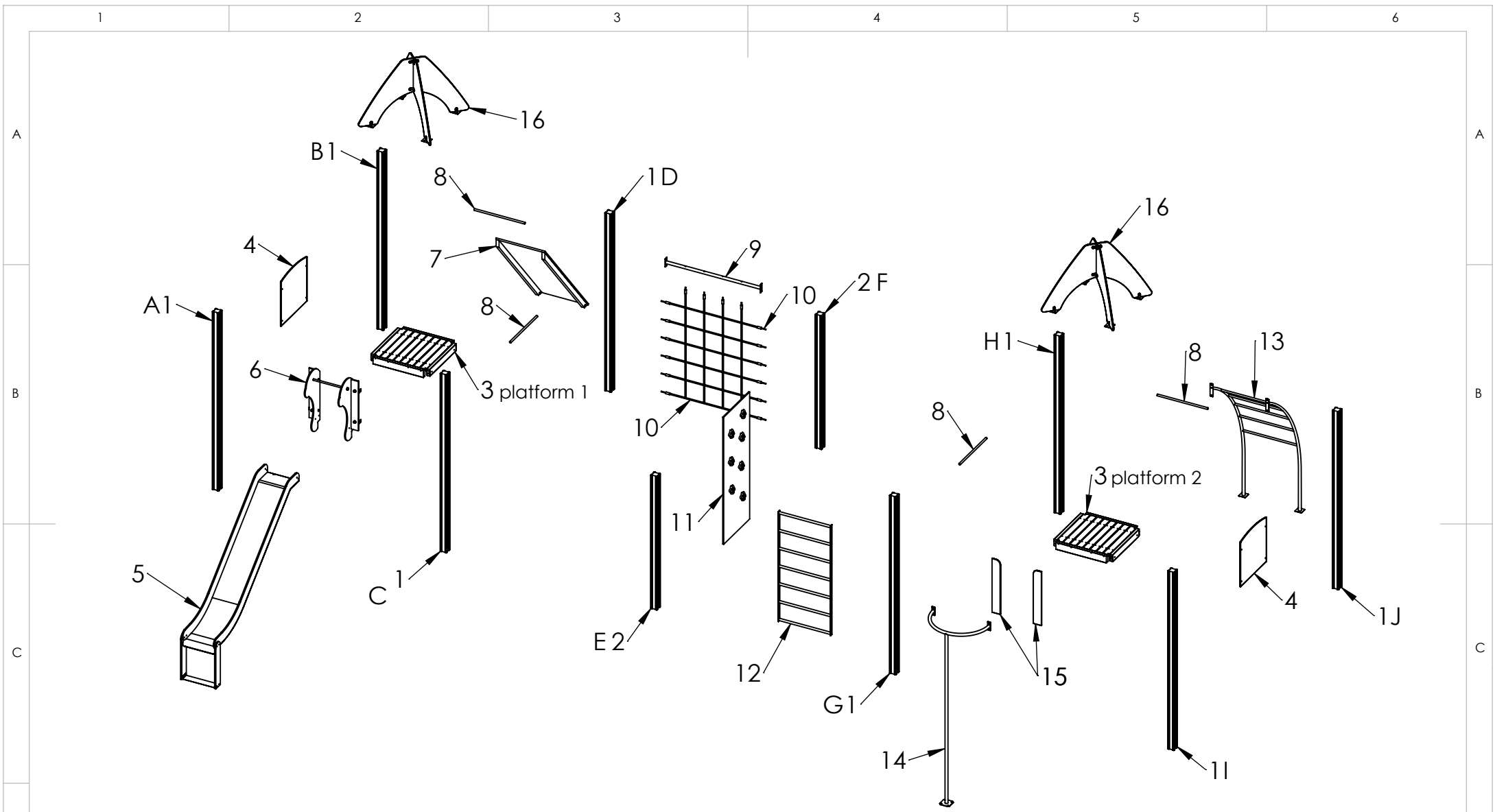
| | NAME | SIGNATURE | DATE | REVISION |
|--------|----------|-----------|------------|----------|
| DRAWN | M.Rebase | | 12.05.2014 | |
| APPV'D | | | | |



Tiptaptap OÜ
 Tiptaptap OÜ
 Veetorni 9,
 Jüri alevik, Rae vald,
 75301 Harjumaa

PART NUMBER / DWG NO.: **LM217**

DESCRIPTION: **Play Centre HARALD**

| | | |
|-----------|----------------------|---------------|
| MATERIAL: | wood, metal, plastic | A4 |
| WEIGHT: | | SCALE: 1:65 |
| | | SHEET 4 OF 19 |



| | | | | | | |
|--|----------|-----------|------------|----------|---|--|
| UNLESS OTHERWISE SPECIFIED: DIMENSIONS ARE IN MILLIMETERS WEIGHT ARE IN KILOGRAMM | | | | | PART NUMBER / DWG NO.: LM217 | |
| | NAME | SIGNATURE | DATE | REVISION | DESCRIPTION: Play Centre HARALD | |
| DRAWN | M.Rebase | | 12.05.2014 | | MATERIAL: wood, metal, plastic | |
| APPV'D | | | | | A4 | |
|  Tiptaptap OÜ Tiptaptap OÜ Veetorni 9, Jüri alevik, Rae vald, 75301 Harjumaa | | | | | WEIGHT: SCALE: 1:70 SHEET 5 OF 19 | |

| ITEM NO. | PART NUMBER | DESCRIPTION | QTY. |
|----------|--------------------------------|-----------------------------|------|
| 1 | post 98x98x2800 | laminated wood | 8 |
| 2 | post 98x98x2100 | laminated wood | 2 |
| 3 | platform | laminated wood, metal | 2 |
| 4 | panel 750x750 | plywood | 2 |
| 5 | slide h_1550 | stainless steel, PE plastic | 1 |
| 6 | slide guard block | plywood, metal, plastic | 1 |
| 7 | climbing ramp | plywood | 1 |
| 8 | guardrail \varnothing 25x770 | painted steel | 4 |
| 9 | beam 40x1455 for net | painted steel | 1 |
| 10 | climbing net | PP covered steel wire | 1 |
| 11 | climbing wall | plywood | 1 |
| 12 | ladder 1730x790 | galvanized steel (painted) | 1 |
| 13 | arch ladder | galvanized painted steel | 1 |
| 14 | climbing pole | painted steel | 1 |
| 15 | panel 850x126 | plywood | 2 |
| 16 | roof | PE plastic | 2 |

UNLESS OTHERWISE SPECIFIED:
DIMENSIONS ARE IN MILLIMETERS
WEIGHT ARE IN KILOGRAMM

PART NUMBER / DWG NO.:

LM217

| | NAME | SIGNATURE | DATE | REVISION |
|--------|----------|-----------|------------|----------|
| DRAWN | M.Rebase | | 12.05.2014 | |
| APPV'D | | | | |

DESCRIPTION:

Play Centre HARALD



Tiptaptap OÜ

Tiptaptap OÜ
Veetorni 9,
Jüri alevik, Rae vald,
75301 Harjumaa

MATERIAL:

wood, metal, plastic

A4

WEIGHT:

SCALE: 1:70

SHEET 6 OF 19

A

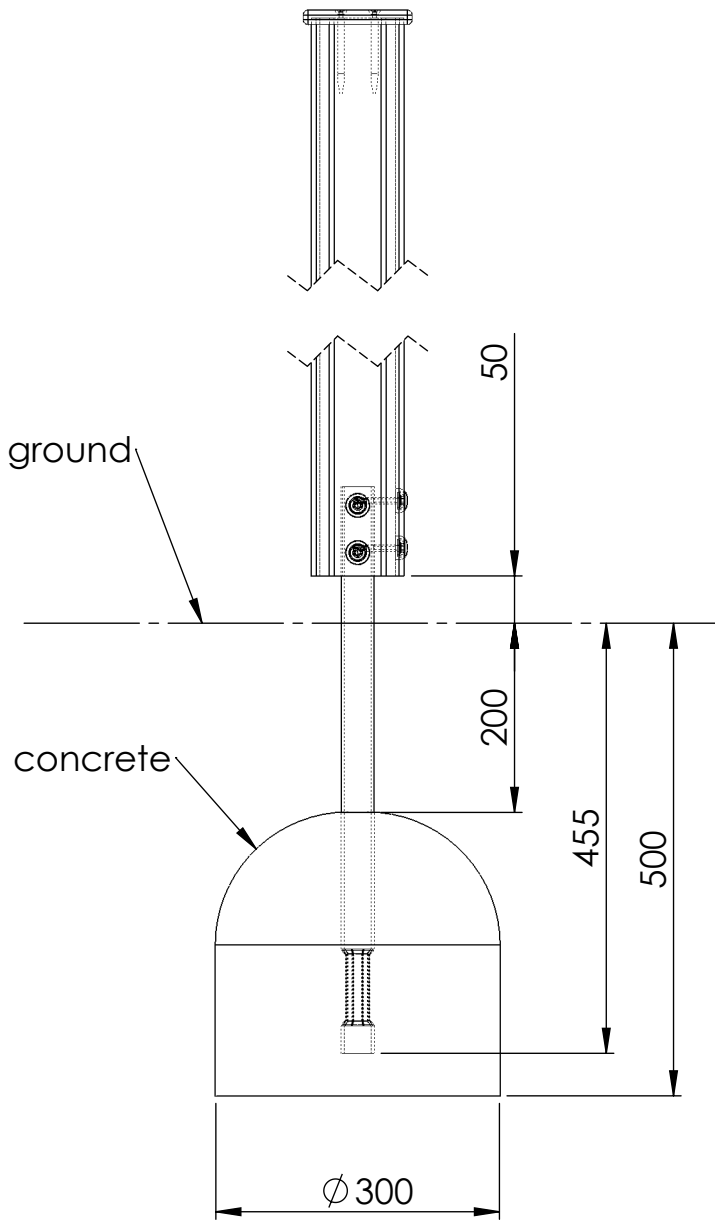
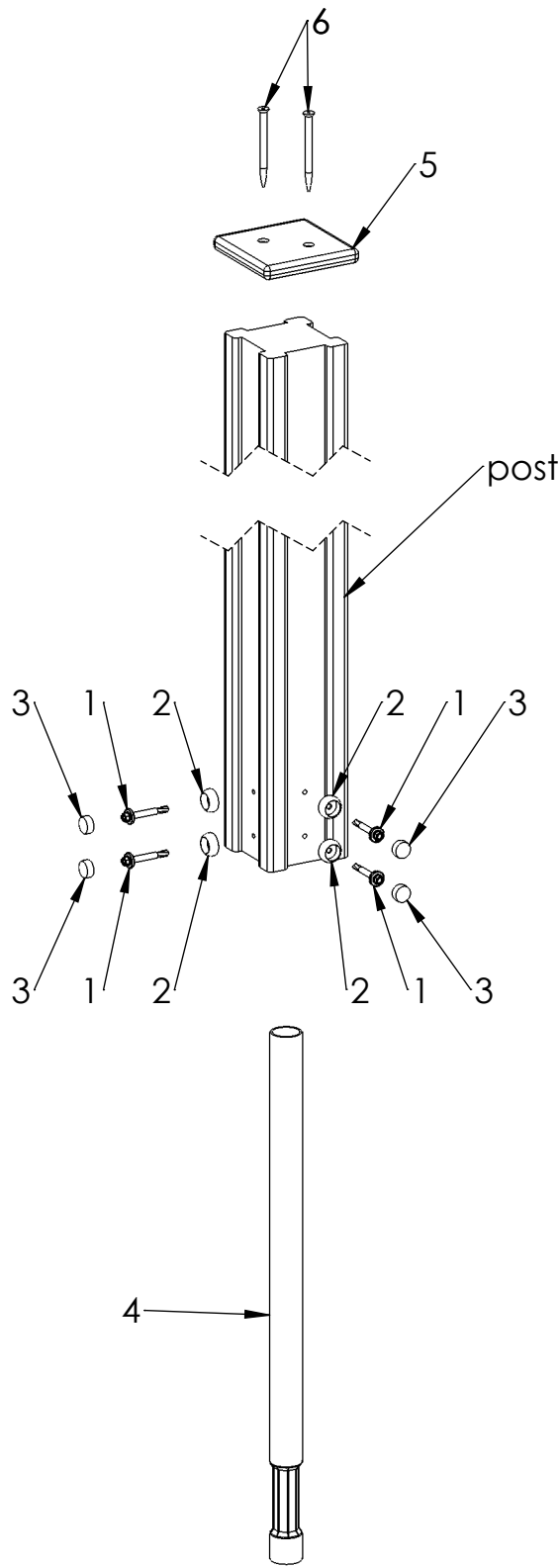
B

C

D

E

F



| ITEM NO. | PART NUMBER |
|----------|---------------------------|
| 1 | screw DIN7504K 5,5x50 |
| 2 | nut cover M6 |
| 3 | nut cover cap M6 |
| 4 | metal ground fixing L_600 |
| 5 | plastic cap 115x115 |
| 6 | woodscrew 6 x 90 |

UNLESS OTHERWISE SPECIFIED:
 DIMENSIONS ARE IN MILLIMETERS
 WEIGHT ARE IN KILOGRAMM

| | NAME | SIGNATURE | DATE | REVISION |
|--------|----------|-----------|------------|----------|
| DRAWN | M.Rebase | | 12.05.2014 | |
| APPV'D | | | | |

PART NUMBER / DWG NO.:
LM217

DESCRIPTION:
**Play Centre HARALD
 connecting metal ground fixing to post**



Tiptiptap OÜ

Tiptiptap OÜ
 Veetorni 9,
 Jüri alevik, Rae vald,
 75301 Harjumaa

| | | |
|-----------|----------------------|---------------|
| MATERIAL: | wood, metal, plastic | A4 |
| WEIGHT: | SCALE: 1:8 | SHEET 7 OF 19 |

A

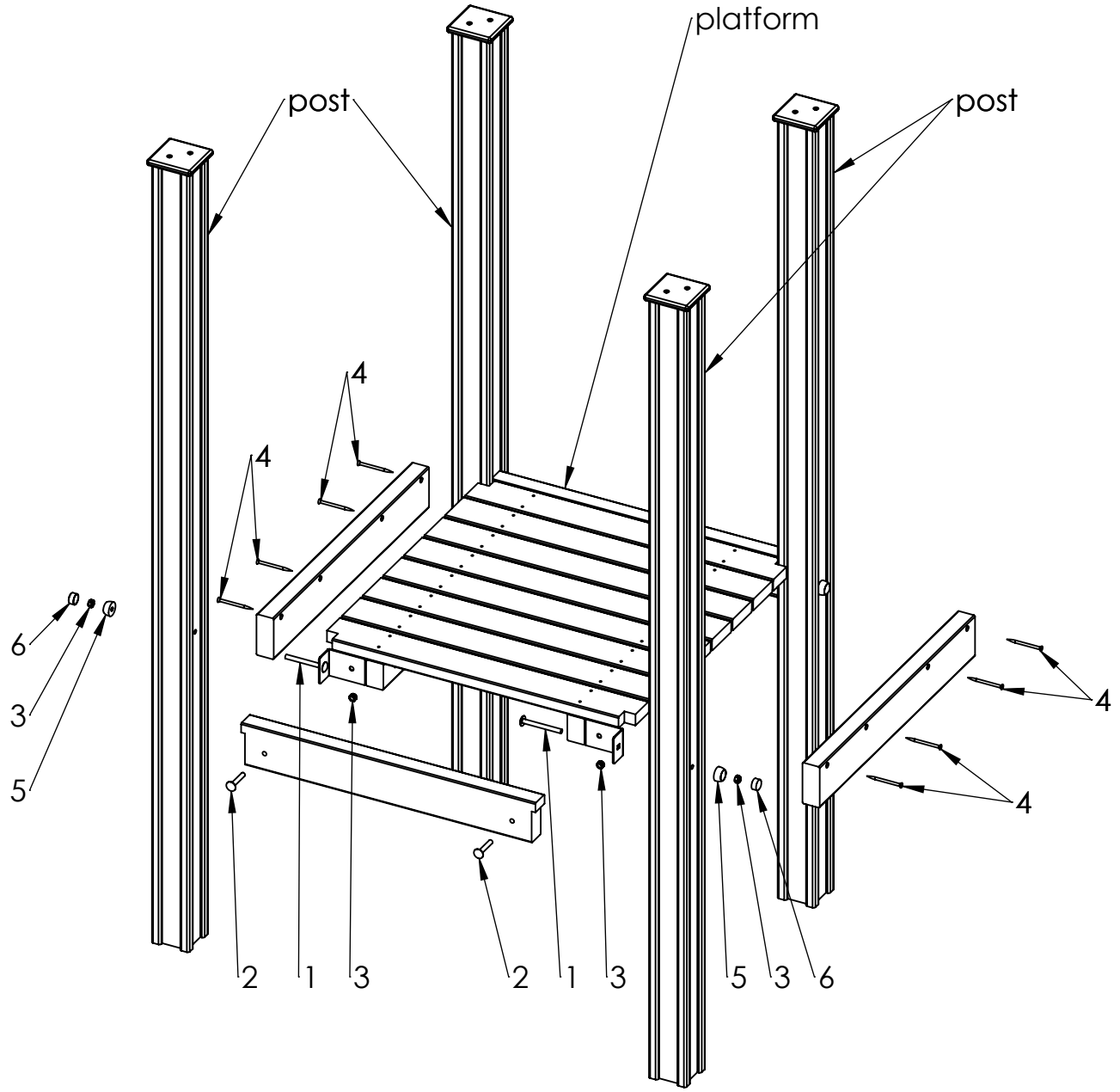
B

C

D

E

F



| ITEM NO. | PART NUMBER |
|----------|---------------------|
| 1 | bolt DIN603 M10x100 |
| 2 | bolt DIN603 M10x60 |
| 3 | nut DIN985 M10 |
| 4 | woodscrew 6 x 90 |
| 5 | nut cover M10 |
| 6 | nut cover cap M10 |

UNLESS OTHERWISE SPECIFIED:
DIMENSIONS ARE IN MILLIMETERS
WEIGHT ARE IN KILOGRAMM

| | NAME | SIGNATURE | DATE | REVISION |
|--------|----------|-----------|------------|----------|
| DRAWN | M.Rebase | | 12.05.2014 | |
| APPV'D | | | | |

| | |
|------------------------|---|
| PART NUMBER / DWG NO.: | LM217 |
| DESCRIPTION: | Play Centre HARALD connecting platform to post |



Tiptiptap OÜ
Veetorni 9,
Jüri alevik, Rae vald,
75301 Harjumaa

| | | |
|-----------|----------------------|---------------|
| MATERIAL: | wood, metal, plastic | A4 |
| WEIGHT: | SCALE: 1:15 | SHEET 8 OF 19 |

A

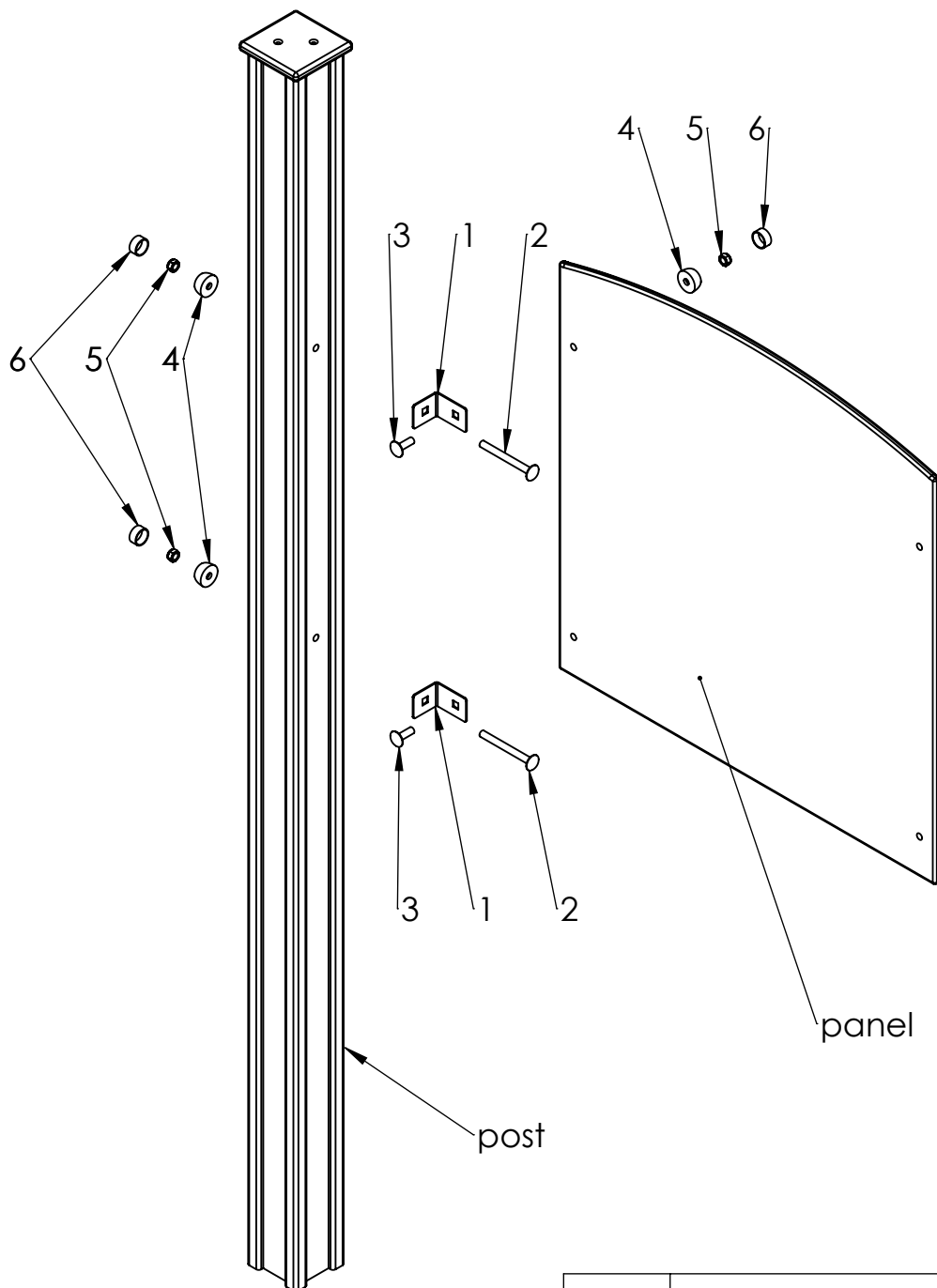
B

C

D

E

F



| ITEM NO. | PART NUMBER |
|----------|---------------------|
| 1 | corner 48x60 |
| 2 | bolt DIN603 M10x100 |
| 3 | bolt DIN603 M10x30 |
| 4 | nut cover M10 |
| 5 | nut DIN985 M10 |
| 6 | nut cover cap M10 |

UNLESS OTHERWISE SPECIFIED:
DIMENSIONS ARE IN MILLIMETERS
WEIGHT ARE IN KILOGRAMM

PART NUMBER / DWG NO.:

LM217

| | NAME | SIGNATURE | DATE | REVISION |
|--------|----------|-----------|------------|----------|
| DRAWN | M.Rebase | | 12.05.2014 | |
| APPV'D | | | | |

DESCRIPTION:

Play Centre HARALD
connecting panel to post

MATERIAL:

wood, metal, plastic

A4

WEIGHT:

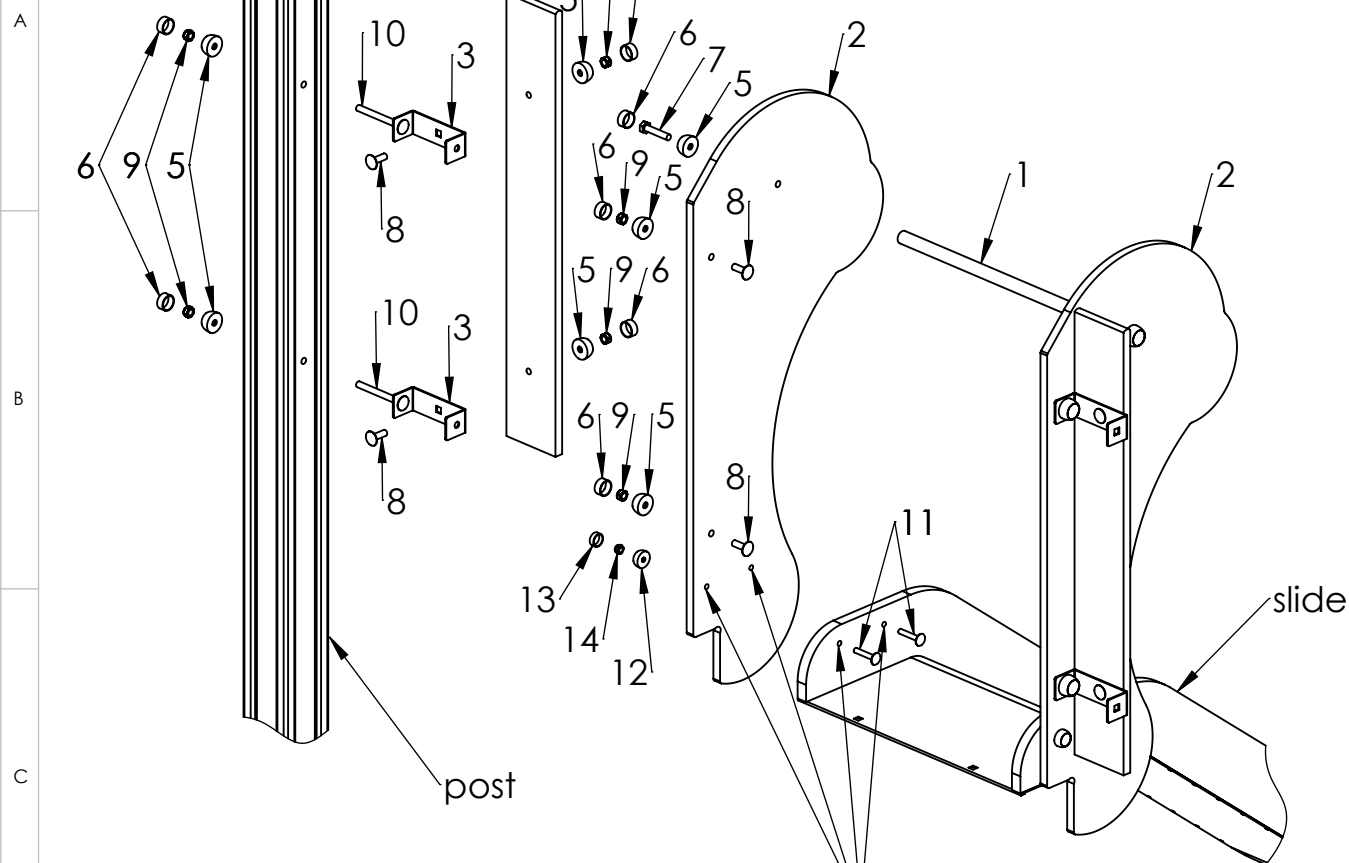
SCALE: 1:10

SHEET 9 OF 19



Tiptap OÜ

Tiptap OÜ
Veetorni 9,
Jüri alevik, Rae vald,
75301 Harjumaa



It is important to drill 8,5mm holes through side panel and slide.

| ITEM NO. | PART NUMBER |
|----------|--------------------------------|
| 1 | slide guardrail |
| 2 | slide side panel |
| 3 | slide side panel fixing 40x120 |
| 4 | side panel 110x780 |
| 5 | nut cover M10 |
| 6 | nut cover cap M10 |
| 7 | bolt DIN931 M10x50 |
| 8 | bolt DIN603 M10x30 |
| 9 | nut DIN985 M10 |
| 10 | bolt DIN603 M10x100 |
| 11 | bolt DIN603 M8x45 |
| 12 | nut cover M8 |
| 13 | nut cover cap M8 |
| 14 | nut DIN985 M8 |

UNLESS OTHERWISE SPECIFIED:
DIMENSIONS ARE IN MILLIMETERS
WEIGHT ARE IN KILOGRAMM

PART NUMBER / DWG NO.:

LM217

| | NAME | SIGNATURE | DATE | REVISION |
|--------|----------|-----------|------------|----------|
| DRAWN | M.Rebase | | 12.05.2014 | |
| APPV'D | | | | |

DESCRIPTION:

Play Centre HARALD
connecting slide guard block to post

MATERIAL:

wood, metal, plastic

A4

WEIGHT:

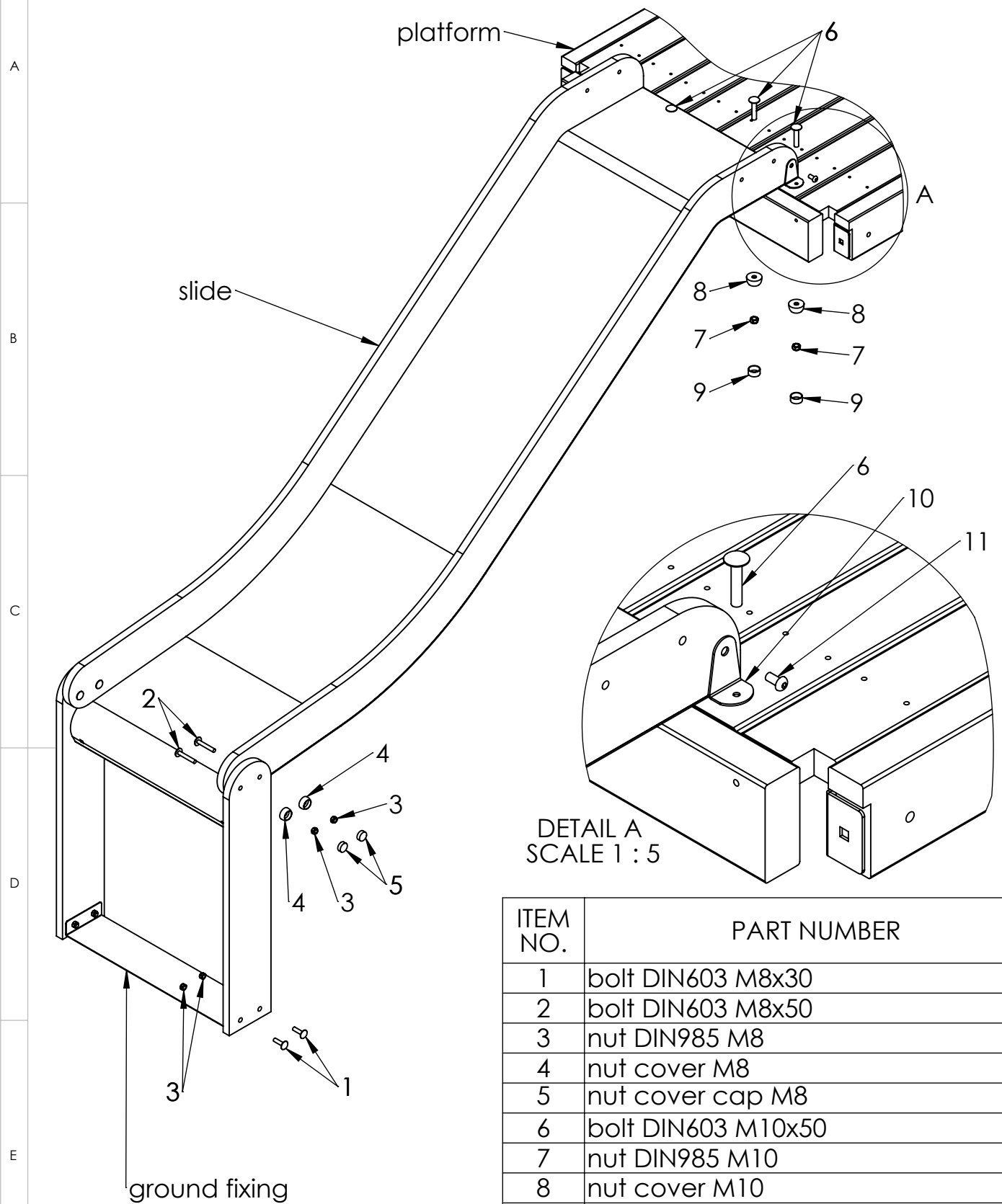
SCALE: 1:12

SHEET 10 OF 19



Tiptaptap OÜ

Tiptaptap OÜ
Veetorni 9,
Jüri alevik, Rae vald,
75301 Harjumaa



DETAIL A
SCALE 1 : 5

| ITEM NO. | PART NUMBER |
|----------|----------------------------|
| 1 | bolt DIN603 M8x30 |
| 2 | bolt DIN603 M8x50 |
| 3 | nut DIN985 M8 |
| 4 | nut cover M8 |
| 5 | nut cover cap M8 |
| 6 | bolt DIN603 M10x50 |
| 7 | nut DIN985 M10 |
| 8 | nut cover M10 |
| 9 | nut cover cap M10 |
| 10 | corner 58x30 |
| 11 | metal screw DIN 7380 M8x16 |

UNLESS OTHERWISE SPECIFIED:
DIMENSIONS ARE IN MILLIMETERS
WEIGHT ARE IN KILOGRAMM

PART NUMBER / DWG NO.:

LM217

| | NAME | SIGNATURE | DATE | REVISION |
|--------|----------|-----------|------------|----------|
| DRAWN | M.Rebase | | 12.05.2014 | |
| APPV'D | | | | |

DESCRIPTION:

Play Centre HARALD
connecting slide to platform

MATERIAL:

wood, metal, plastic

A4

WEIGHT:

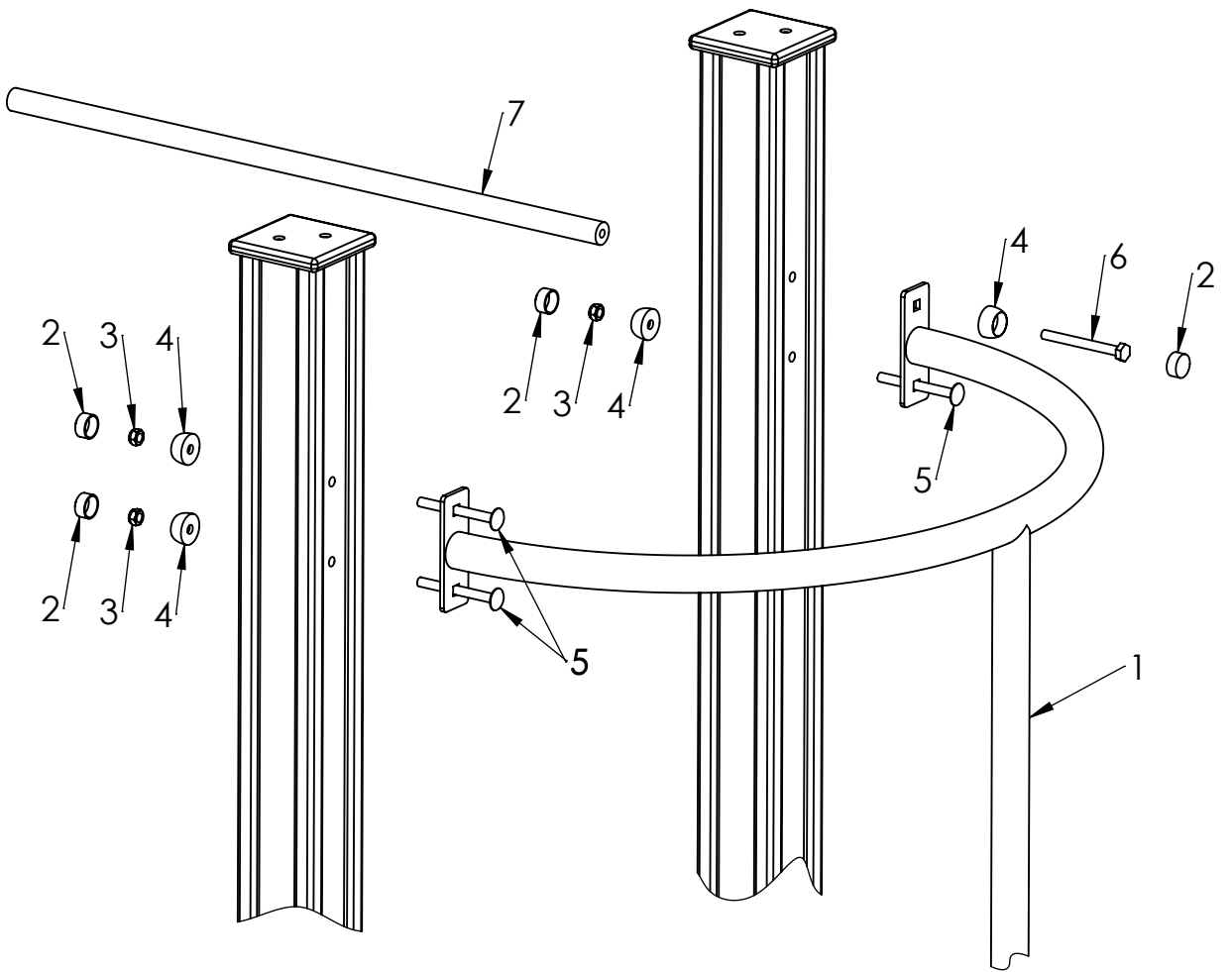
SCALE: 1:12

SHEET 11 OF 19



Tiptaptap OÜ

Tiptaptap OÜ
Veetorni 9,
Jüri alevik, Rae vald,
75301 Harjumaa



| ITEM NO. | PART NUMBER |
|----------|--------------------------------|
| 1 | climbing pole |
| 2 | nut cover cap M10 |
| 3 | nut DIN985 M10 |
| 4 | nut cover M10 |
| 5 | bolt DIN603 M10x100 |
| 6 | bolt DIN931 M10x100 |
| 7 | guardrail \varnothing 25x770 |

UNLESS OTHERWISE SPECIFIED:
DIMENSIONS ARE IN MILLIMETERS
WEIGHT ARE IN KILOGRAMM

PART NUMBER / DWG NO.:

LM217

| | NAME | SIGNATURE | DATE | REVISION |
|--------|----------|-----------|------------|----------|
| DRAWN | M.Rebase | | 12.05.2014 | |
| APPV'D | | | | |

DESCRIPTION:

Play Centre HARALD

connecting climbing pole and guardrail to post

MATERIAL:
wood, metal, plastic

A4

WEIGHT:

SCALE: 1:8

SHEET 12 OF 19



Tiptaptap OÜ

Tiptaptap OÜ
Veetorni 9,
Jüri alevik, Rae vald,
75301 Harjumaa

A

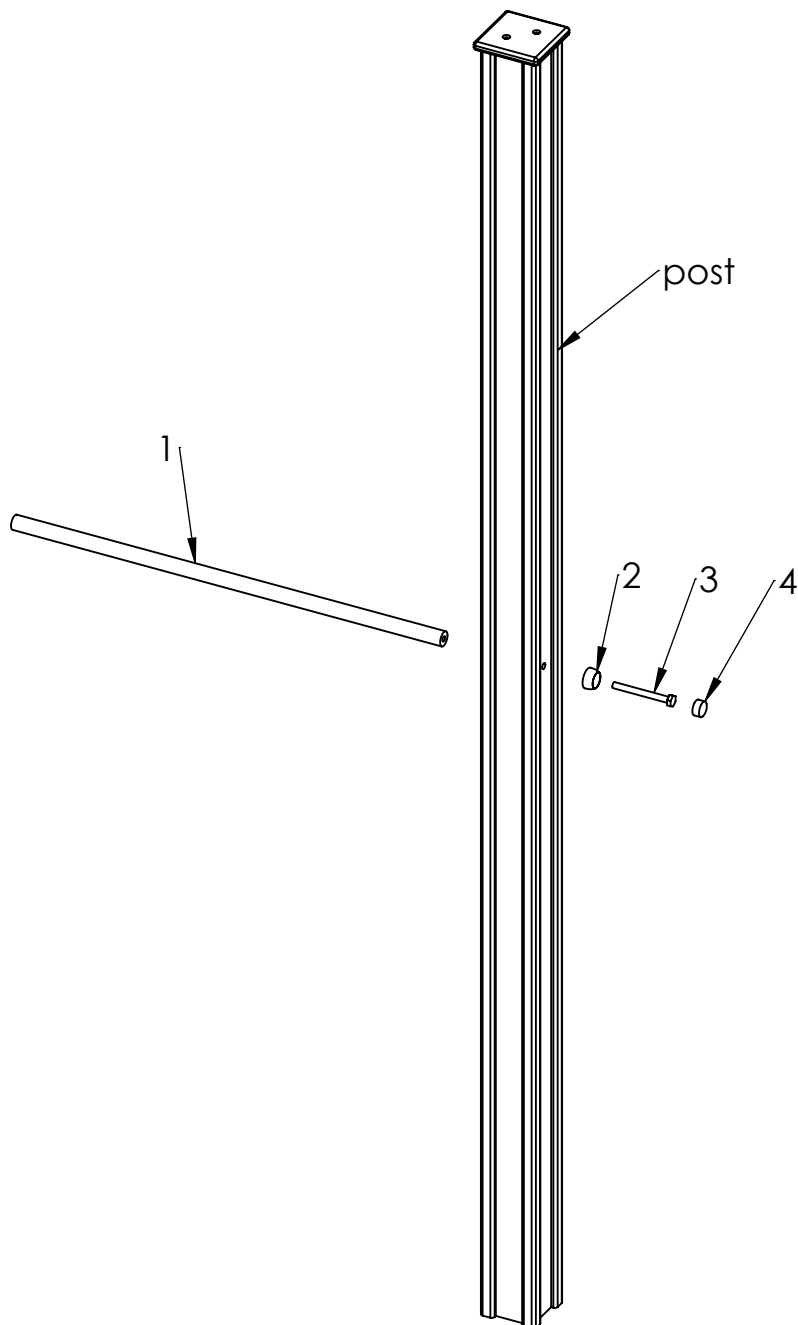
B

C

D

E

F



| ITEM NO. | PART NUMBER |
|----------|-------------------------|
| 1 | guardrail ϕ 25x770 |
| 2 | nut cover M10 |
| 3 | bolt DIN931 M10x100 |
| 4 | nut cover cap M10 |

UNLESS OTHERWISE SPECIFIED:
DIMENSIONS ARE IN MILLIMETERS
WEIGHT ARE IN KILOGRAMM

| | NAME | SIGNATURE | DATE | REVISION |
|--------|----------|-----------|------------|----------|
| DRAWN | M.Rebase | | 12.05.2014 | |
| APPV'D | | | | |

PART NUMBER / DWG NO.:

LM217
connecting guardrail to post

DESCRIPTION:

Play Centre HARALD

MATERIAL:

wood, metal, plastic

A4

WEIGHT:

SCALE: 1:12

SHEET 13 OF 19



Tiptaptap OÜ

Tiptaptap OÜ
Veetorni 9,
Jüri alevik, Rae vald,
75301 Harjumaa

A

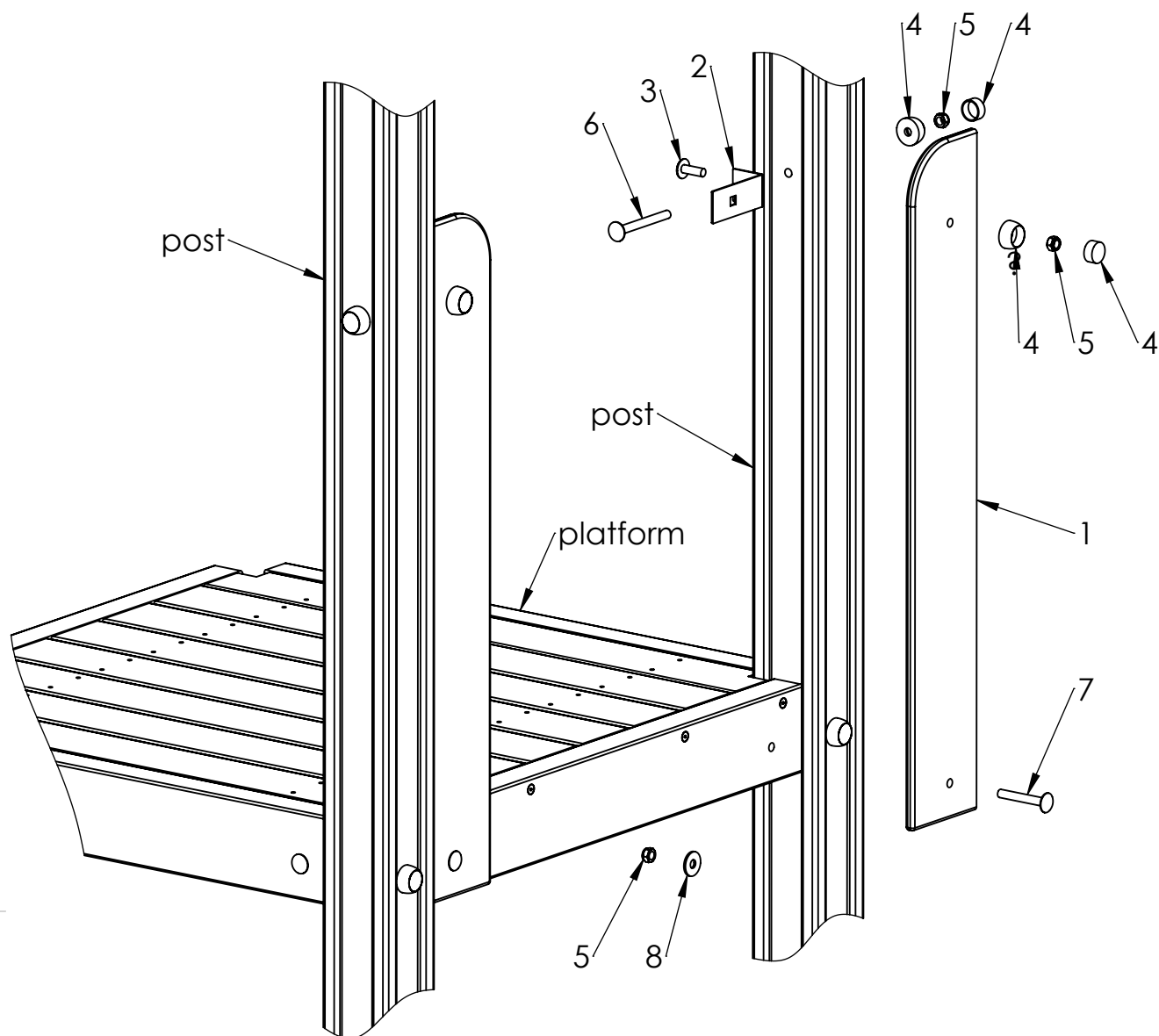
B

C

D

E

F



| ITEM NO. | PART NUMBER |
|----------|--------------------------------|
| 1 | panel 850x126 |
| 2 | slide side panel fixing 40x100 |
| 3 | bolt DIN603 M10x30 |
| 4 | nut cover with cap |
| 5 | nut DIN985 M10 |
| 6 | bolt DIN603 M10x100 |
| 7 | bolt DIN603 M10x70 |
| 8 | washer M10 |

UNLESS OTHERWISE SPECIFIED:
DIMENSIONS ARE IN MILLIMETERS
WEIGHT ARE IN KILOGRAMM

| | NAME | SIGNATURE | DATE | REVISION |
|--------|----------|-----------|------------|----------|
| DRAWN | M.Rebase | | 12.05.2014 | |
| APPV'D | | | | |

PART NUMBER / DWG NO.:

LM217

DESCRIPTION:

Play Centre HARALD
connecting climbing pole side panel to post

MATERIAL:

wood, metal, plastic

A4

WEIGHT:

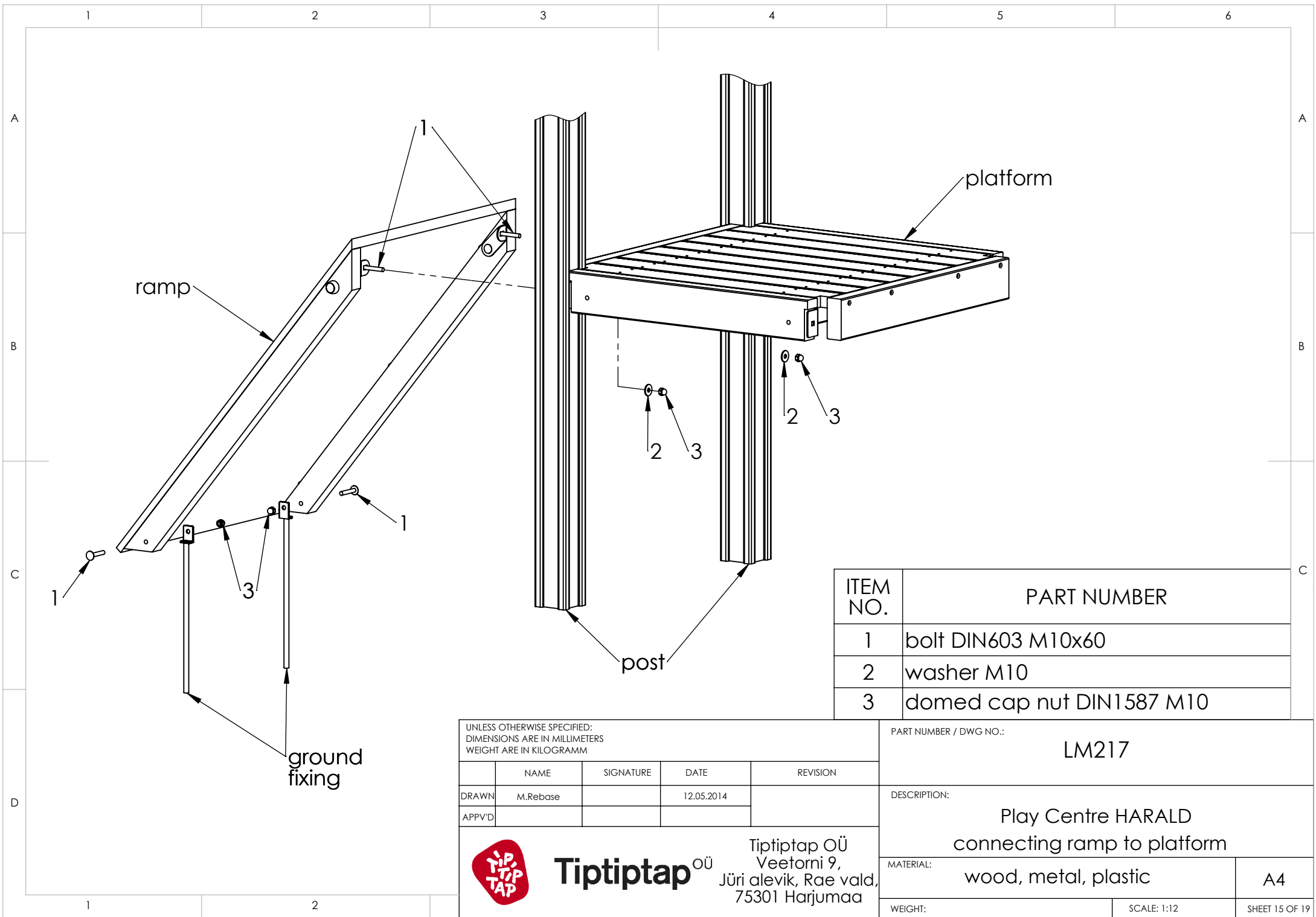
SCALE: 1:8

SHEET 14 OF 19



Tiptap OÜ

Tiptap OÜ
Veetorni 9,
Jüri alevik, Rae vald,
75301 Harjumaa



| ITEM NO. | PART NUMBER |
|----------|---------------------------|
| 1 | bolt DIN603 M10x60 |
| 2 | washer M10 |
| 3 | domed cap nut DIN1587 M10 |

UNLESS OTHERWISE SPECIFIED:
 DIMENSIONS ARE IN MILLIMETERS
 WEIGHT ARE IN KILOGRAMM

| | NAME | SIGNATURE | DATE | REVISION |
|--------|----------|-----------|------------|----------|
| DRAWN | M.Rebase | | 12.05.2014 | |
| APPV'D | | | | |


Tiptap OÜ
 Tiptap OÜ
 Veetorni 9,
 Jüri alevik, Rae vald,
 75301 Harjumaa

PART NUMBER / DWG NO.:
LM217

DESCRIPTION:
**Play Centre HARALD
 connecting ramp to platform**

MATERIAL:
 wood, metal, plastic

A4

A

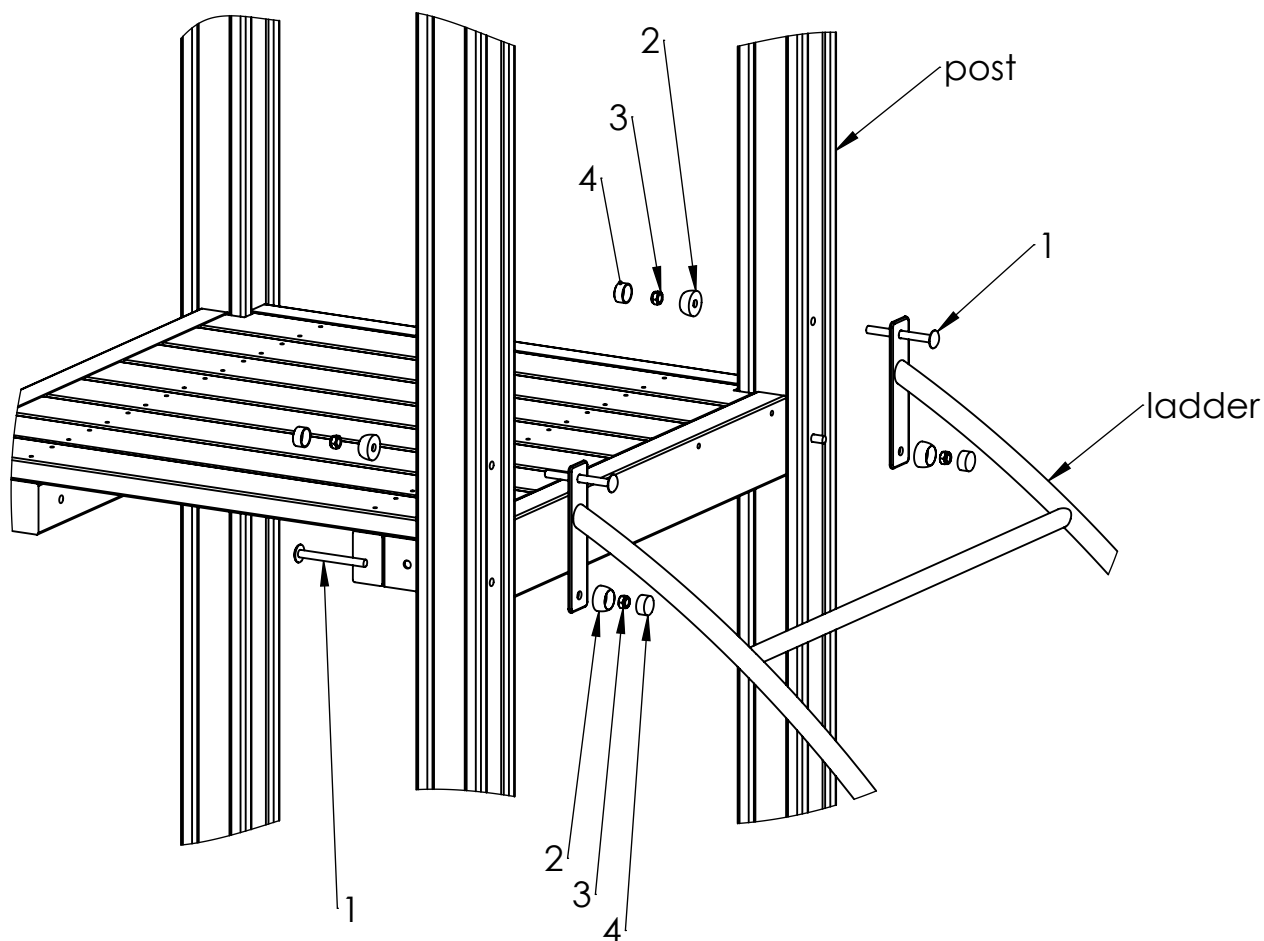
B

C

D

E

F



| ITEM NO. | ITEM NAME |
|----------|-----------------------|
| 1 | bolt DIN603 M10x100 |
| 2 | nut cover |
| 3 | nut DIN 985 NYLOC M10 |
| 4 | nut cover cap |

UNLESS OTHERWISE SPECIFIED:
DIMENSIONS ARE IN MILLIMETERS
WEIGHT ARE IN KILOGRAMM

PART NUMBER / DWG NO.:

LM217

| | NAME | SIGNATURE | DATE | REVISION |
|--------|----------|-----------|------------|----------|
| DRAWN | M.Rebase | | 12.05.2014 | |
| APPV'D | | | | |

DESCRIPTION:

Play Centre HARALD
connecting arch ladder to post

MATERIAL:

wood, metal, plastic

A4

WEIGHT:

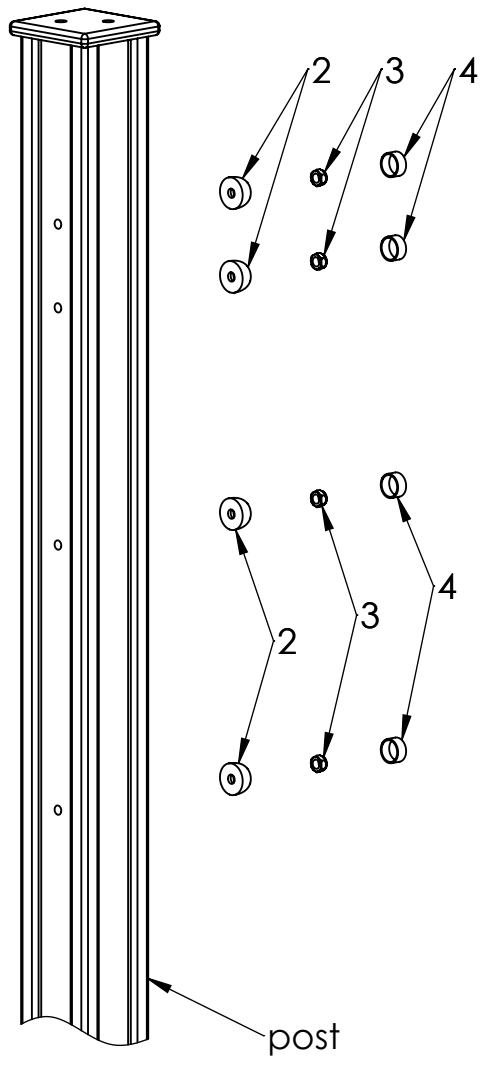
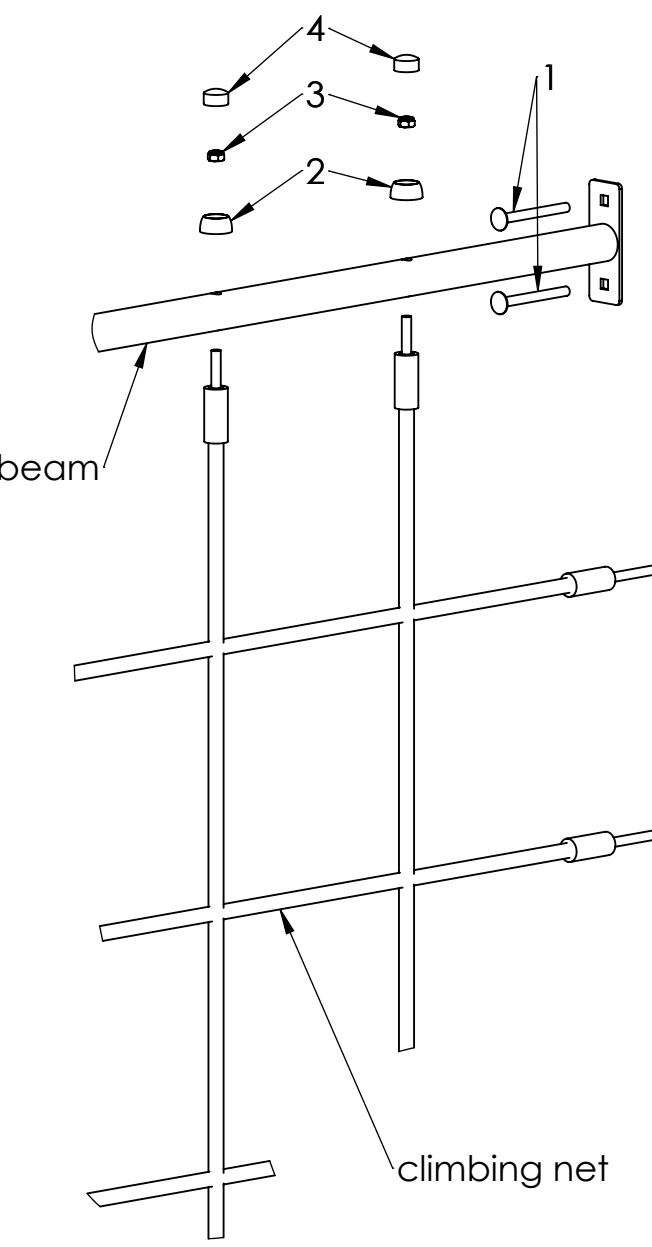
SCALE: 1:10

SHEET 16 OF 19



Tiptiptap OÜ

Tiptiptap OÜ
Veetorni 9,
Jüri alevik, Rae vald,
75301 Harjumaa



| ITEM NO. | PART NUMBER |
|----------|----------------------|
| 1 | bolt DIN603 M10x100 |
| 2 | nut cover M10 |
| 3 | nut DIN985 M10 |
| 4 | nut cover cap M10 |
| 6 | beam 40x1455 for net |

| | | | | |
|---|----------|-----------|------------|----------|
| UNLESS OTHERWISE SPECIFIED: DIMENSIONS ARE IN MILLIMETERS WEIGHT ARE IN KILOGRAMM | | | | |
| | NAME | SIGNATURE | DATE | REVISION |
| DRAWN | M.Rebase | | 12.05.2014 | |
| APPV'D | | | | |

| | |
|------------------------|--|
| PART NUMBER / DWG NO.: | LM217 |
| DESCRIPTION: | Play Centre HARALD connecting beam and climbing net to post |



Tiptaptap OÜ
 Veetorni 9,
 Jüri alevik, Rae vald,
 75301 Harjumaa

| | | |
|-----------|----------------------|----------------|
| MATERIAL: | wood, metal, plastic | A4 |
| WEIGHT: | SCALE: 1:8 | SHEET 17 OF 19 |

A

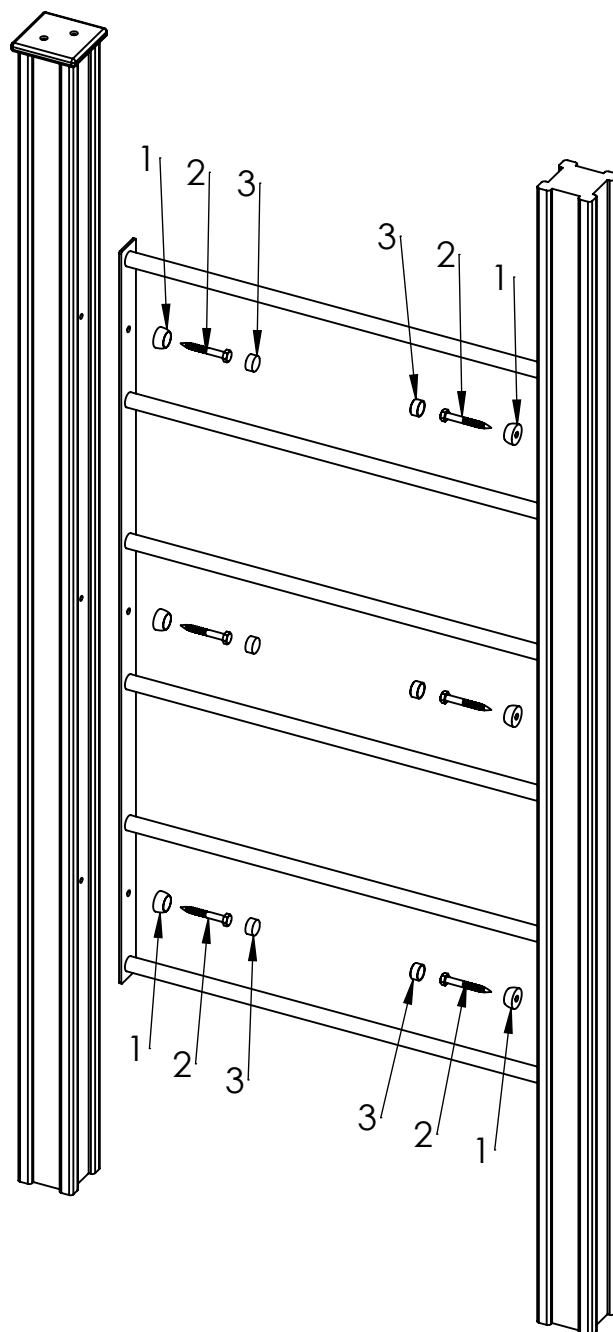
B

C

D

E

F



| ITEM NO. | PART NUMBER |
|----------|-------------------------|
| 1 | nut cover M10 |
| 2 | wood screw DIN571 10x80 |
| 3 | nut cover cap M10 |

UNLESS OTHERWISE SPECIFIED:
DIMENSIONS ARE IN MILLIMETERS
WEIGHT ARE IN KILOGRAMM

PART NUMBER / DWG NO.:

LM217

| | NAME | SIGNATURE | DATE | REVISION |
|--------|----------|-----------|------------|----------|
| DRAWN | M.Rebase | | 12.05.2014 | |
| APPV'D | | | | |

DESCRIPTION:

Play Centre HARALD
connecting ladder to post

MATERIAL:

wood, metal, plastic

A4

WEIGHT:

SCALE: 1:12

SHEET 18 OF 19

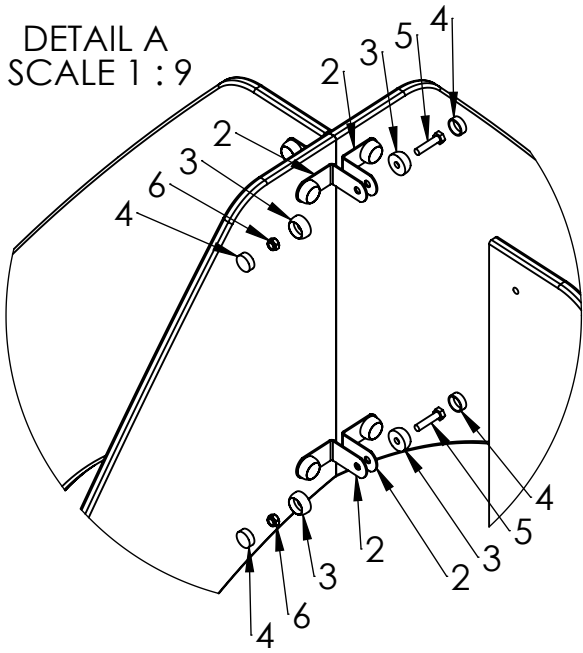


Tiptiptap OÜ

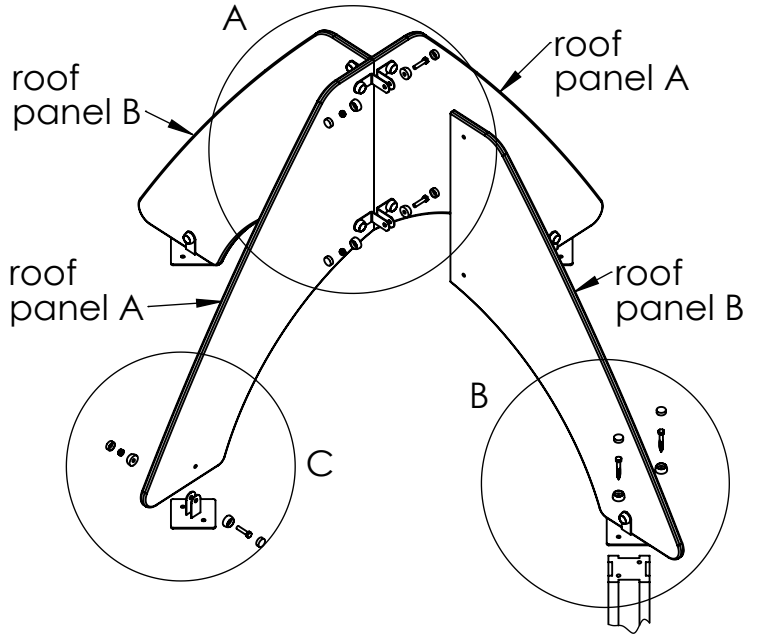
Tiptiptap OÜ
Veetorni 9,
Jüri alevik, Rae vald,
75301 Harjumaa

A

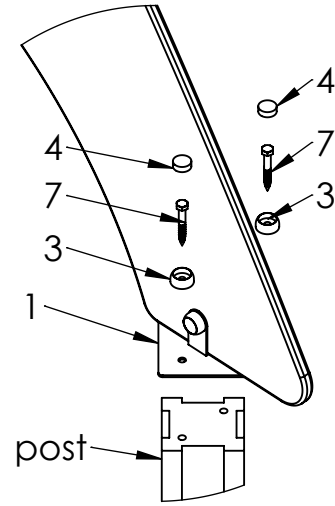
DETAIL A
SCALE 1 : 9



B

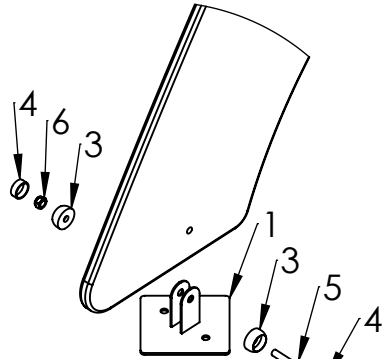


C



DETAIL B
SCALE 1 : 9

D



DETAIL C
SCALE 1 : 9

E

| ITEM NO. | PART NUMBER |
|----------|------------------------|
| 1 | roof fixture |
| 2 | corner 60x60 |
| 3 | nut cover M8 |
| 4 | nut cover cap M8 |
| 5 | bolt DIN933 M8x35 |
| 6 | nut DIN985 M8 |
| 7 | wood screw DIN571 8x60 |

F

UNLESS OTHERWISE SPECIFIED:
DIMENSIONS ARE IN MILLIMETERS
WEIGHT ARE IN KILOGRAMM

PART NUMBER / DWG NO.:

LM217

| NAME | SIGNATURE | DATE | REVISION |
|-------------------|-----------|------------|----------|
| DRAWN M.Rebase | | 12.05.2014 | |
| APPV'D | | | |

DESCRIPTION:

Play Centre HARALD



Tiptap OÜ

Tiptap OÜ
Veetorni 9,
Jüri alevik, Rae vald,
75301 Harjumaa

MATERIAL:

wood, metal, plastic

A4

WEIGHT:

SCALE: 1:18

SHEET 19 OF 19