

A

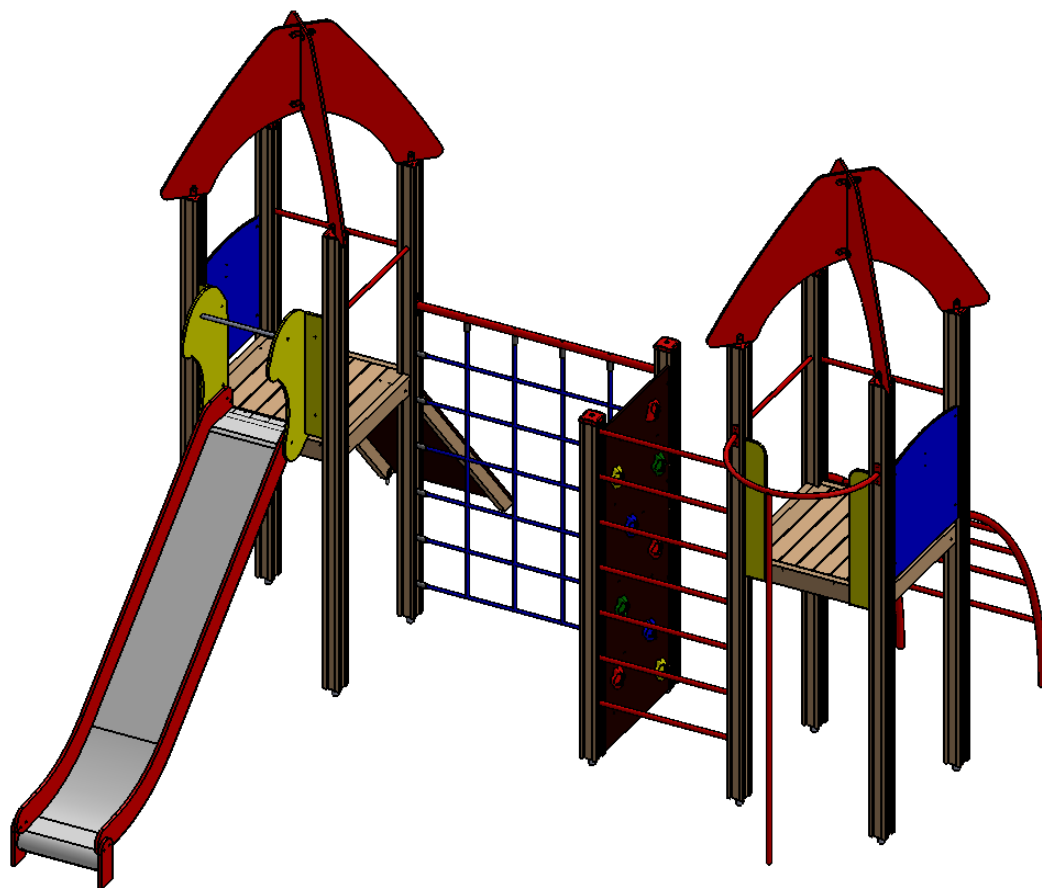
B

C

D

E

F



UNLESS OTHERWISE SPECIFIED:
DIMENSIONS ARE IN MILLIMETERS
WEIGHT ARE IN KILOGRAMM

PART NUMBER / DWG NO.:

LM217

	NAME	SIGNATURE	DATE	REVISION
DRAWN			15.02.2012	
APPV'D				

DESCRIPTION:

HARALD



Tiptaptap OÜ

Tiptaptap OÜ
Veetorni 9,
Jüri alevik, Rae vald,
75301 Harjumaa

MATERIAL:

wood, metal, plastic

A4

WEIGHT:

SCALE: 1:40

SHEET 1 OF 6

A

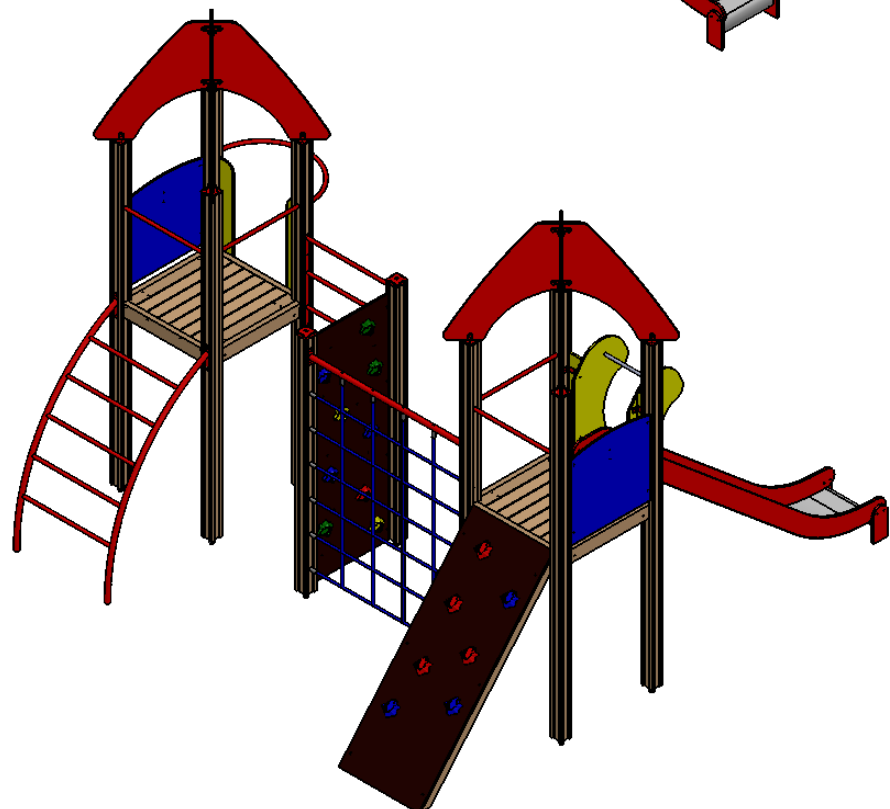
B

C

D

E

F



UNLESS OTHERWISE SPECIFIED:
 DIMENSIONS ARE IN MILLIMETERS
 WEIGHT ARE IN KILOGRAMM

	NAME	SIGNATURE	DATE	REVISION
DRAWN			15.02.2012	
APPV'D				

PART NUMBER / DWG NO.:
 LM217

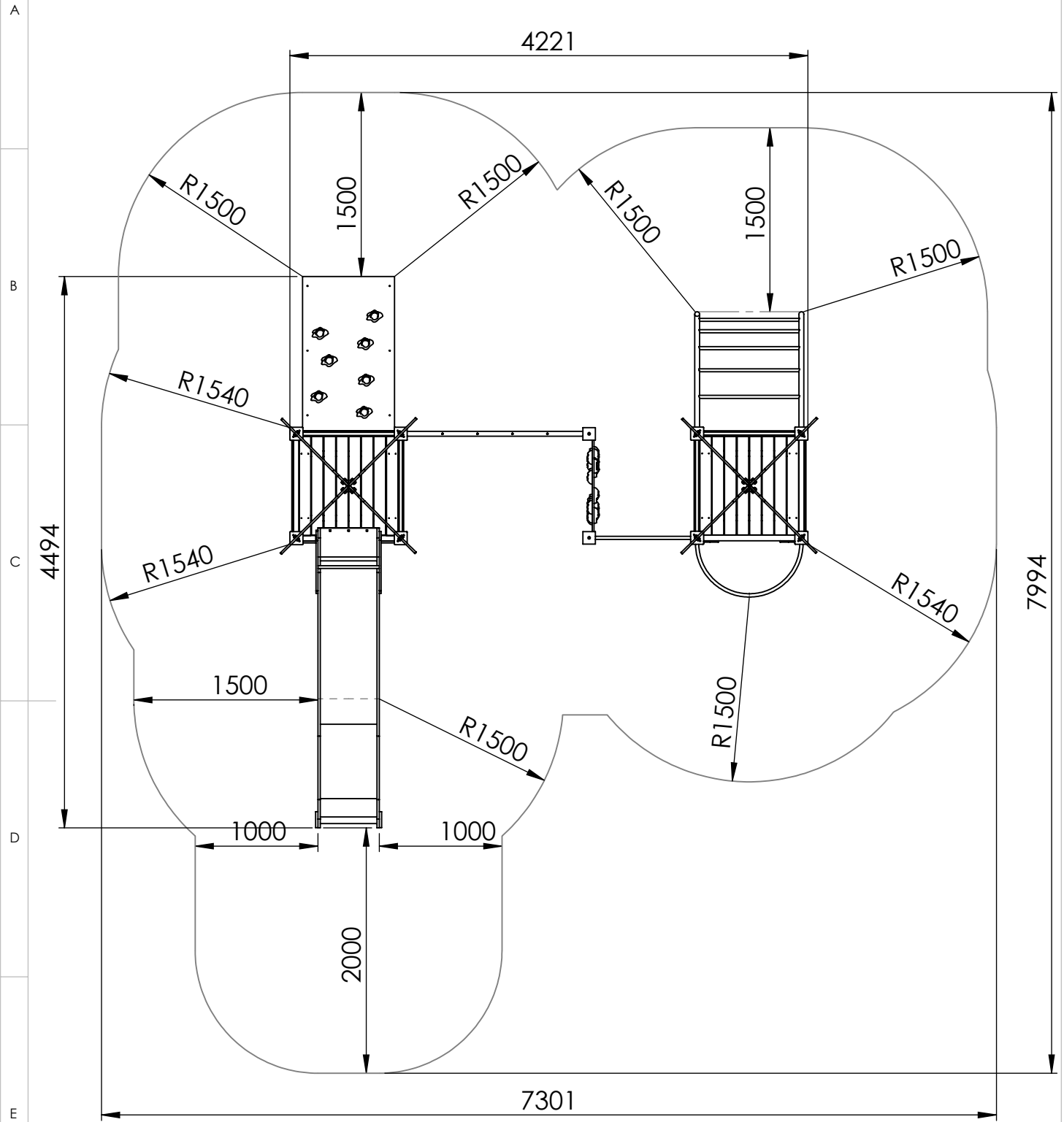
DESCRIPTION:
 HARALD



Tiptaptap OÜ
 Veetorni 9,
 Jüri alevik, Rae vald,
 75301 Harjumaa

MATERIAL:	wood, metal, plastic	A4
WEIGHT:	SCALE: 1:50	SHEET 2 OF 6

safety area



UNLESS OTHERWISE SPECIFIED:
DIMENSIONS ARE IN MILLIMETERS
WEIGHT ARE IN KILOGRAMM

PART NUMBER / DWG NO.:

LM217

	NAME	SIGNATURE	DATE	REVISION
DRAWN			15.02.2012	
APPV'D				

DESCRIPTION:

HARALD
safety area

F



Tiptap OÜ

Tiptap OÜ
Veetorni 9,
Jüri alevik, Rae vald,
75301 Harjumaa

MATERIAL:

wood, metal, plastic

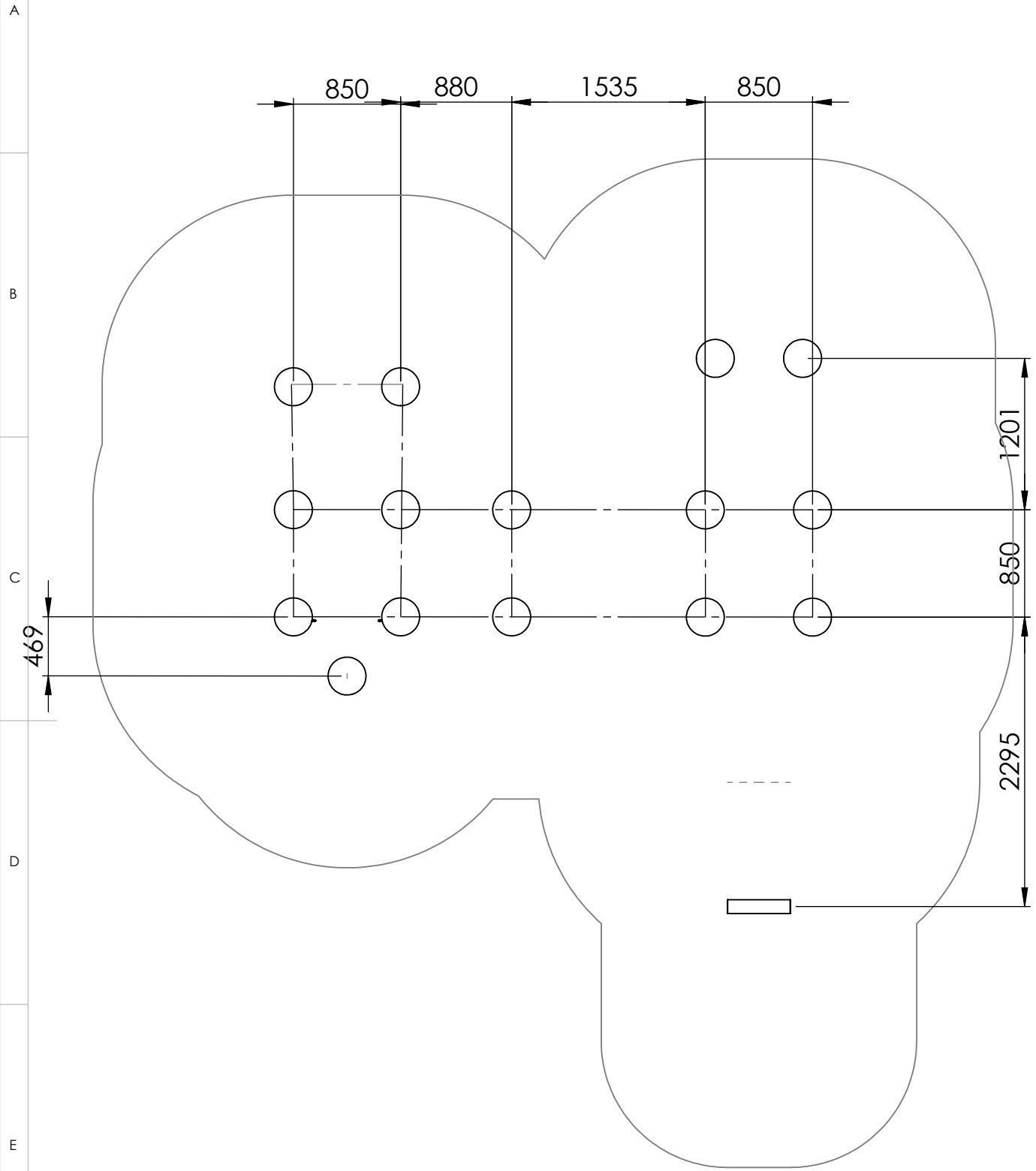
A4

WEIGHT:

SCALE: 1:45

SHEET 3 OF 6

foundation



depth of foundation 450mm

UNLESS OTHERWISE SPECIFIED:
DIMENSIONS ARE IN MILLIMETERS
WEIGHT ARE IN KILOGRAMM

PART NUMBER / DWG NO.:

LM217

	NAME	SIGNATURE	DATE	REVISION
DRAWN			15.02.2012	
APPV'D				

DESCRIPTION:

HARALD
foundation



Tiptiptap OÜ

Tiptiptap OÜ
Veetorni 9,
Jüri alevik, Rae vald,
75301 Harjumaa

MATERIAL:

wood, metal, plastic

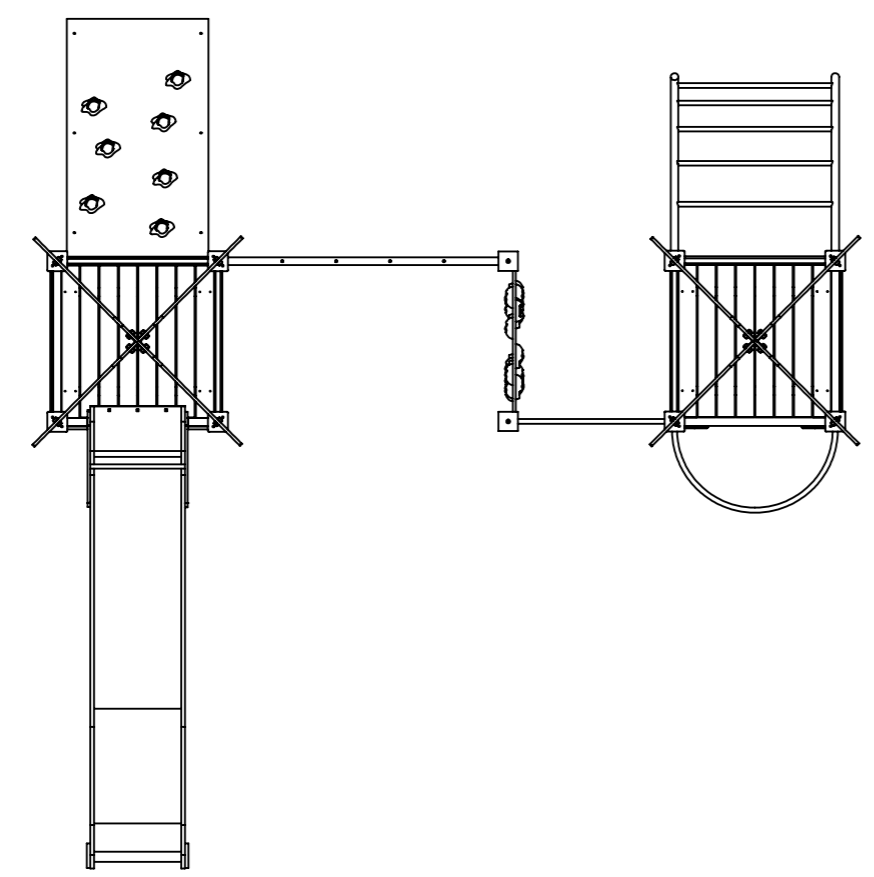
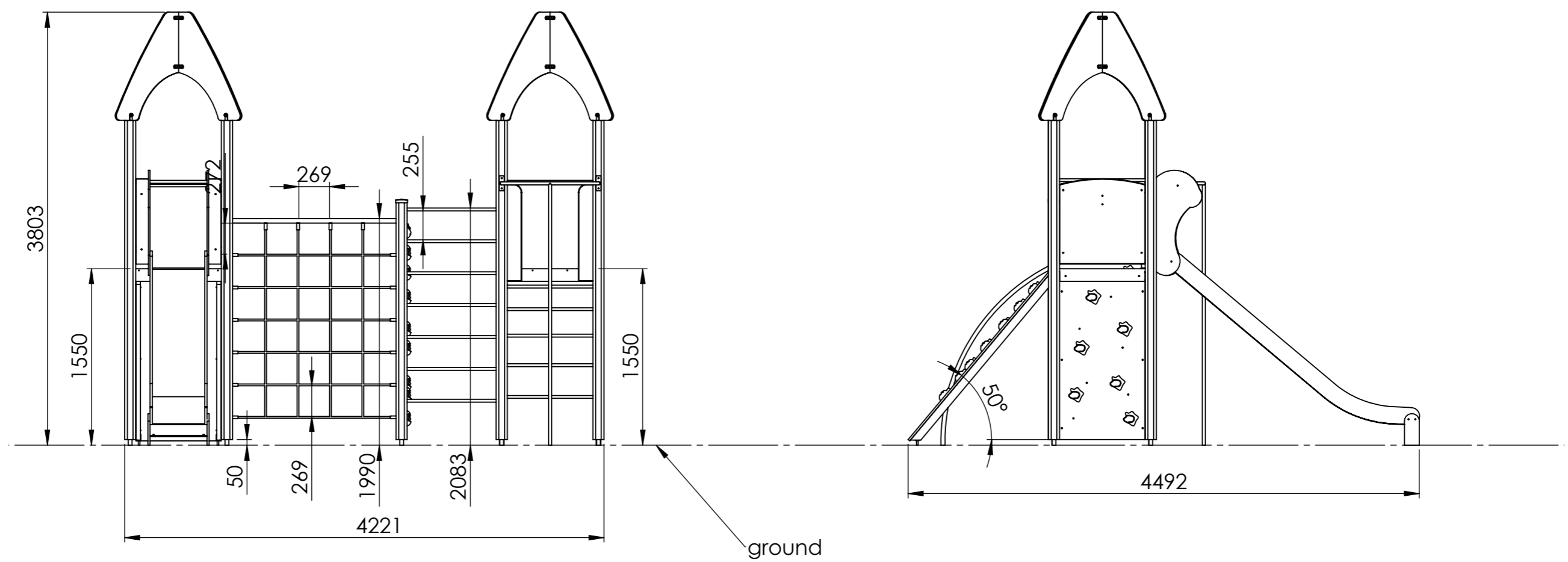
A4


WEIGHT:

SCALE: 1:45

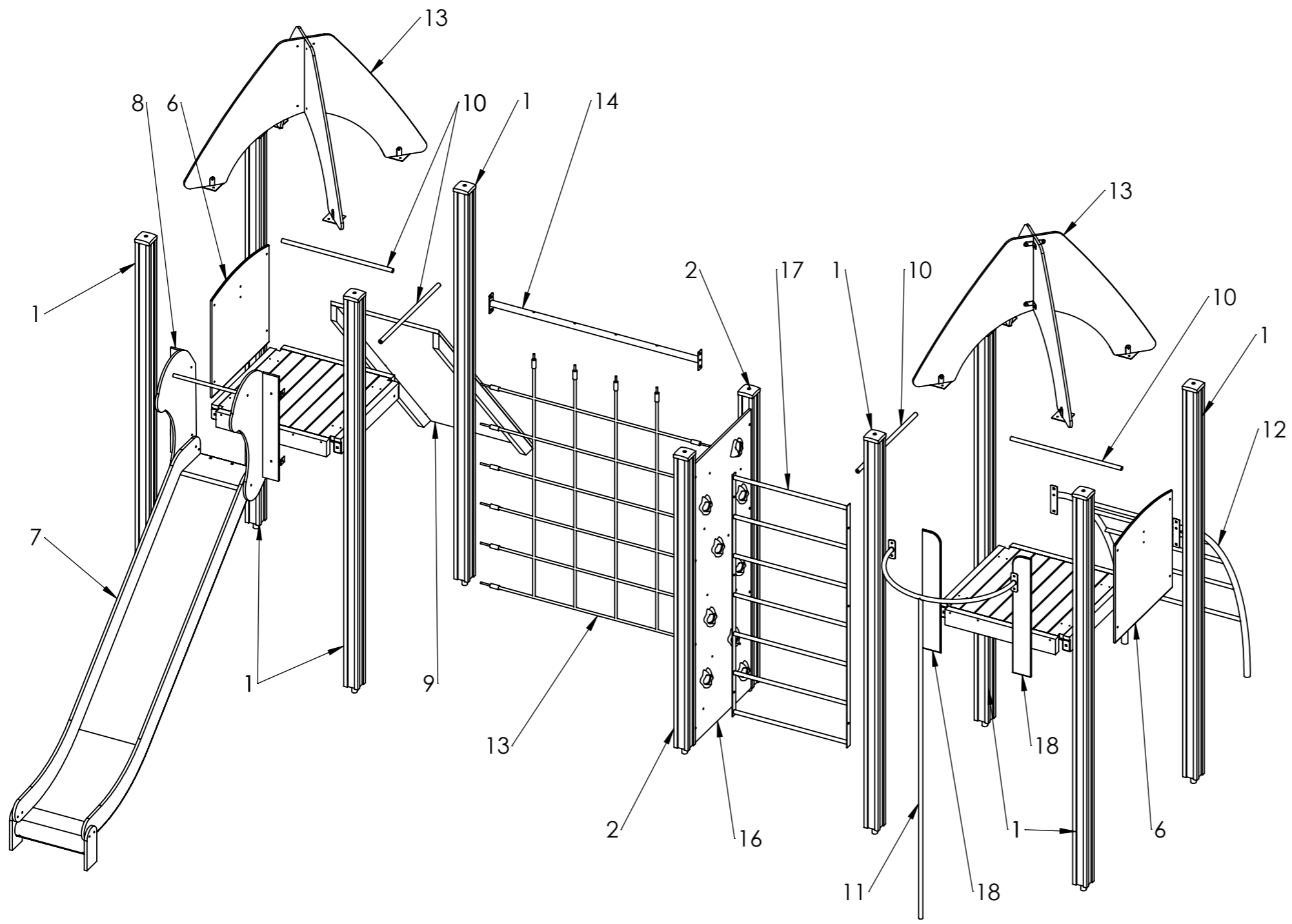
SHEET 4 OF 6

A
B
C
D
E
F




UNLESS OTHERWISE SPECIFIED: DIMENSIONS ARE IN MILLIMETERS WEIGHT ARE IN KILOGRAMM				PART NUMBER / DWG NO.: LM217	
NAME	SIGNATURE	DATE	REVISION	DESCRIPTION: HARALD	
DRAWN		15.02.2012			
APPV'D				MATERIAL: wood, metal, plastic	A4
 Tiptaptap ^{oü}				Tiptaptap OÜ Veetorni 9, Jüri alevik, Rae vald, 75301 Harjumaa	
WEIGHT:				SCALE: 1:40	SHEET 5 OF 6

A
B
C
D
E
F



ITEM	PART NUMBER	DESCRIPTION	QTY.
1	post 98x98x2800 with top cover	laminated wood, PE plastic	8
2	post 98x98x2100 with top cover	laminated wood, PE plastic	2
5	platform	laminated wood	2
6	panel 750x750	plywood	2
7	slide h_1550	1,5 mm stainless steel, PE plastic	1
8	slide guard block	plywood, metal	1
9	climbing ramp	plywood	1
10	guardrail \varnothing 25x770	painted steel	4
11	climbing pole	painted galvanized steel	1
12	ledger_arched	painted galvanized steel	1
13	roof	plywood	2
14	tube \varnothing 40x1455	painted steel	1
13	climbing net 1450x1740	PP covered steel wire	1
16	climbing wall	plywood	1
17	ladder 1730x790	galvanized steel (painted)	1
18	panel 750x125	plywood	2

UNLESS OTHERWISE SPECIFIED: DIMENSIONS ARE IN MILLIMETERS WEIGHT ARE IN KILOGRAMM				PART NUMBER / DWG NO.: LM217	
NAME	SIGNATURE	DATE	REVISION	DESCRIPTION: HARALD	
DRAWN		15.02.2012			
APPV'D				MATERIAL: wood, metal, plastic	
 Tiptap ^{oü} Tiptap OÜ Veetorni 9, Jüri alevik, Rae vald, 75301 Harjumaa				WEIGHT:	SCALE: 1:30