

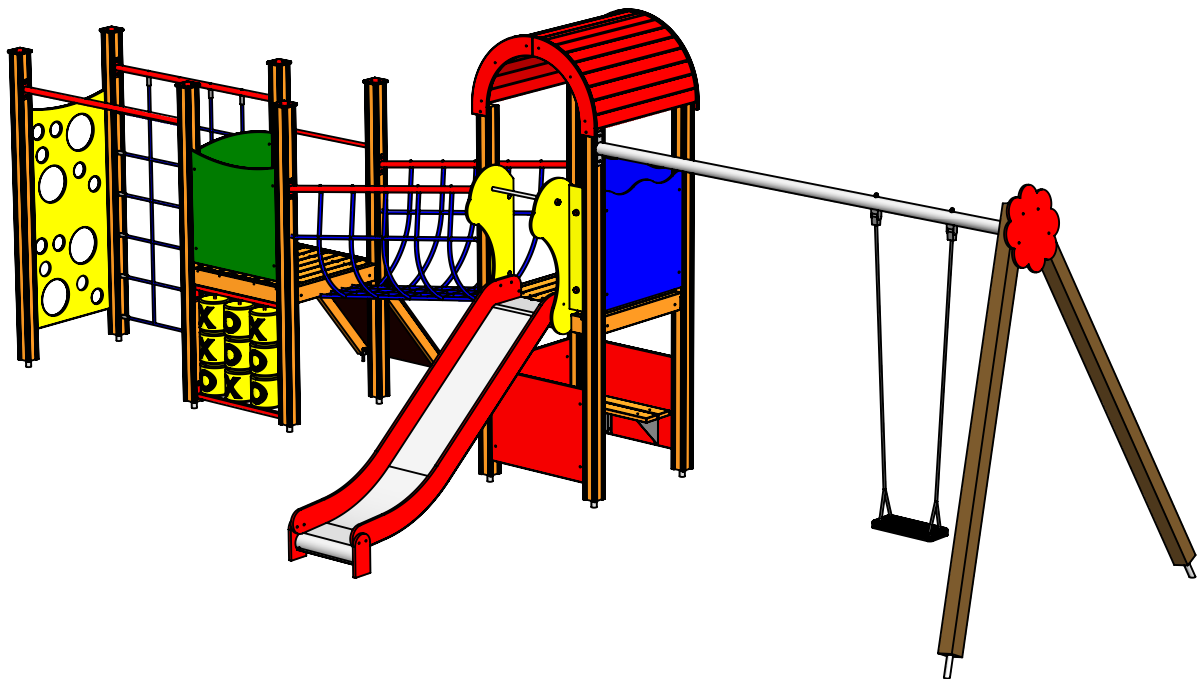
A

B

C

D

E



UNLESS OTHERWISE SPECIFIED:
 DIMENSIONS ARE IN MILLIMETERS
 WEIGHT ARE IN KILOGRAMM

PART NUMBER / DWG NO.:
LM215

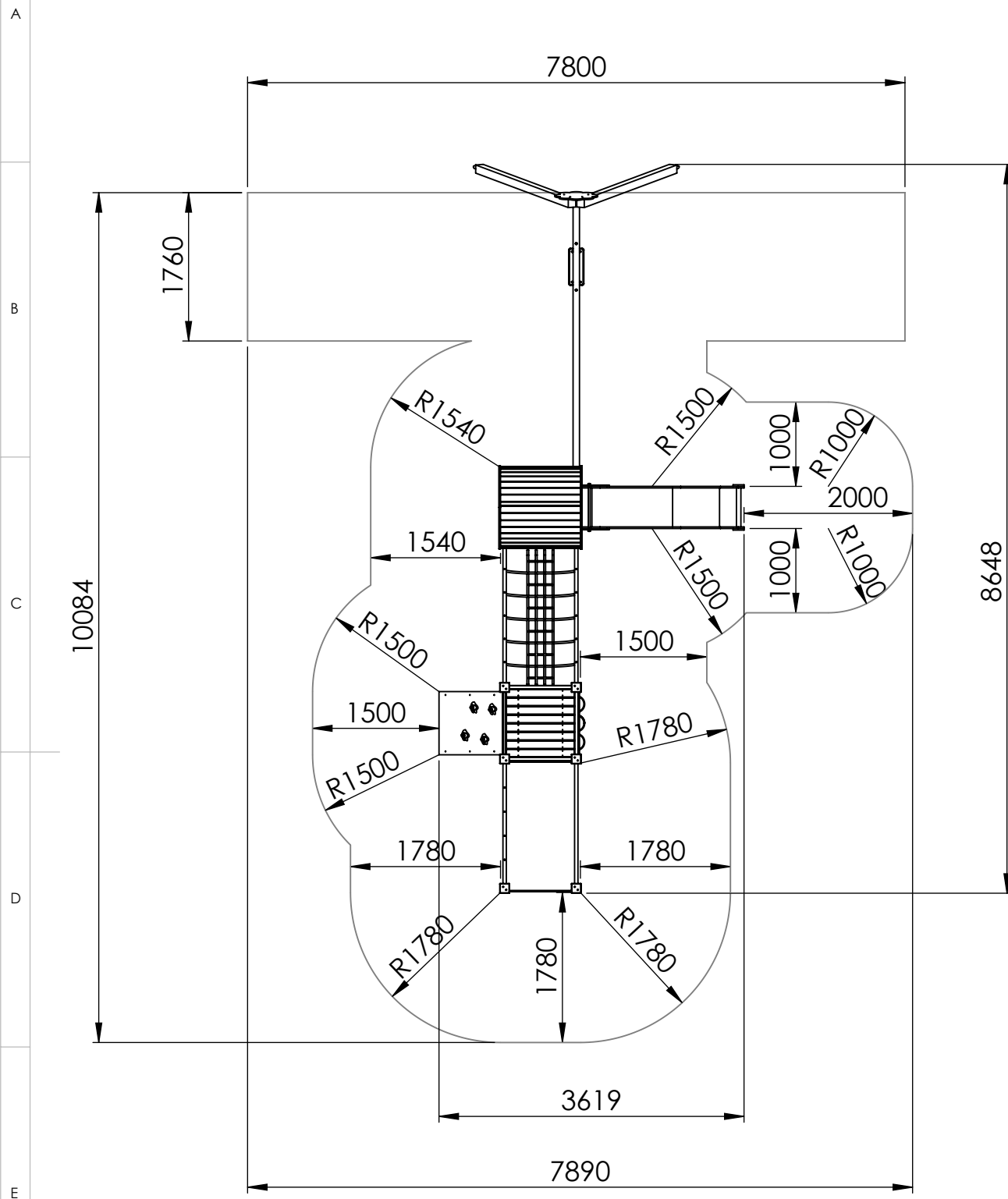
	NAME	SIGNATURE	DATE	REVISION
DRAWN	M.Rebase		17.01.2014	
APPV'D				

DESCRIPTION:
Play Centre LINCOLN

Tiptaptap OÜ
 Veetorni 9,
 Jüri alevik, Rae vald,
 75301 Harjumaa



MATERIAL: wood, plywood, metal, plastic	A4
WEIGHT:	SCALE: 1:40
	SHEET 1 OF 22



UNLESS OTHERWISE SPECIFIED:
DIMENSIONS ARE IN MILLIMETERS
WEIGHT ARE IN KILOGRAMM

PART NUMBER / DWG NO.:

LM215

	NAME	SIGNATURE	DATE	REVISION
DRAWN	M.Rebase		17.01.2014	
APPV'D				

DESCRIPTION:

Play Centre LINCOLN

F



Tiptaptap OÜ

Tiptaptap OÜ
Veetorni 9,
Jüri alevik, Rae vald,
75301 Harjumaa

MATERIAL:

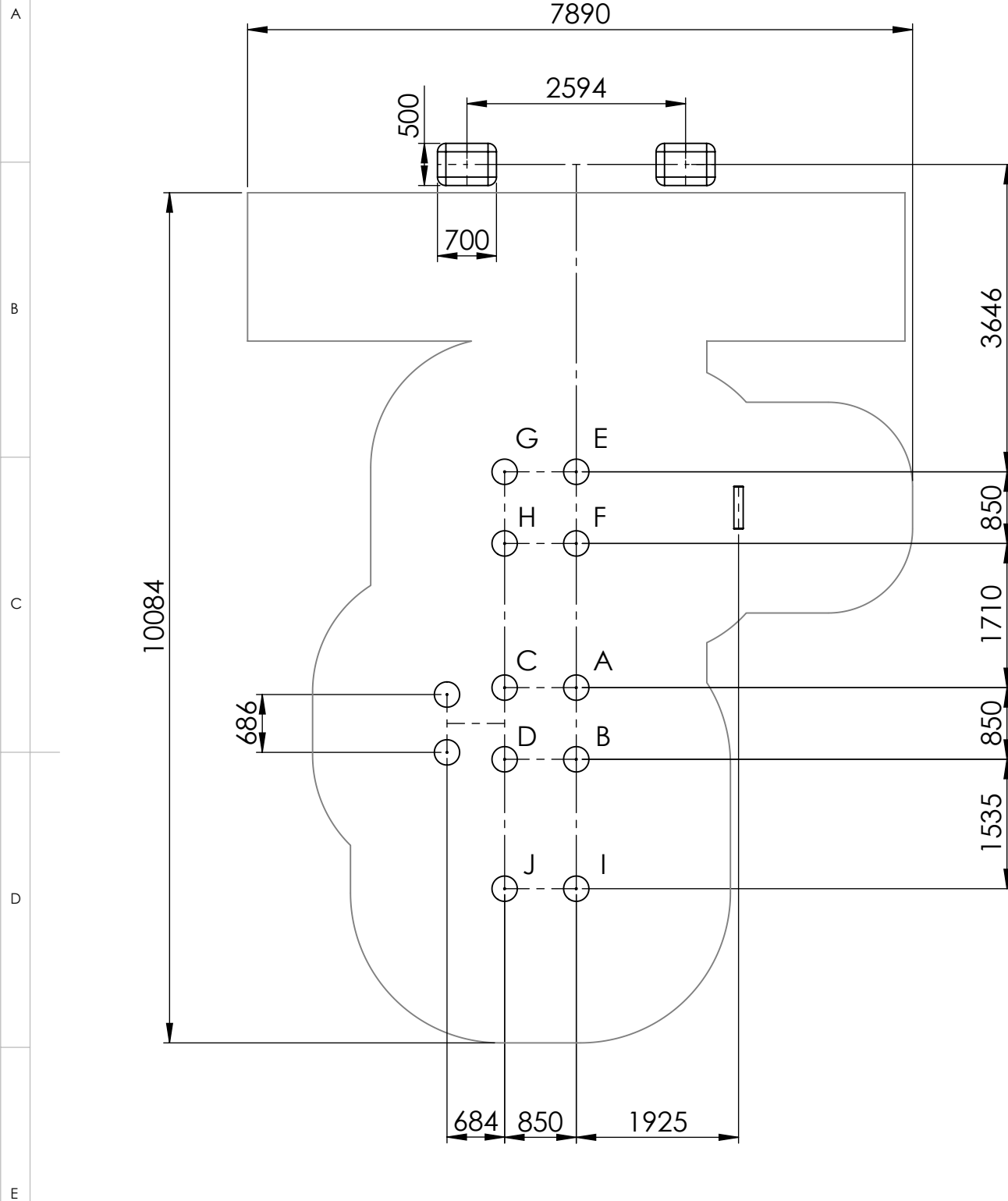
wood, plywood, metal, plastic

A4

WEIGHT:

SCALE: 1:70

SHEET 2 OF 22



UNLESS OTHERWISE SPECIFIED:
DIMENSIONS ARE IN MILLIMETERS
WEIGHT ARE IN KILOGRAMM

PART NUMBER / DWG NO.:

LM215

	NAME	SIGNATURE	DATE	REVISION
DRAWN	M.Rebase		17.01.2014	
APPV'D				

DESCRIPTION:

Play Centre LINCOLN



Tiptap OÜ

Tiptap OÜ
Veetorni 9,
Jüri alevik, Rae vald,
75301 Harjumaa

MATERIAL:

wood, plywood, metal, plastic

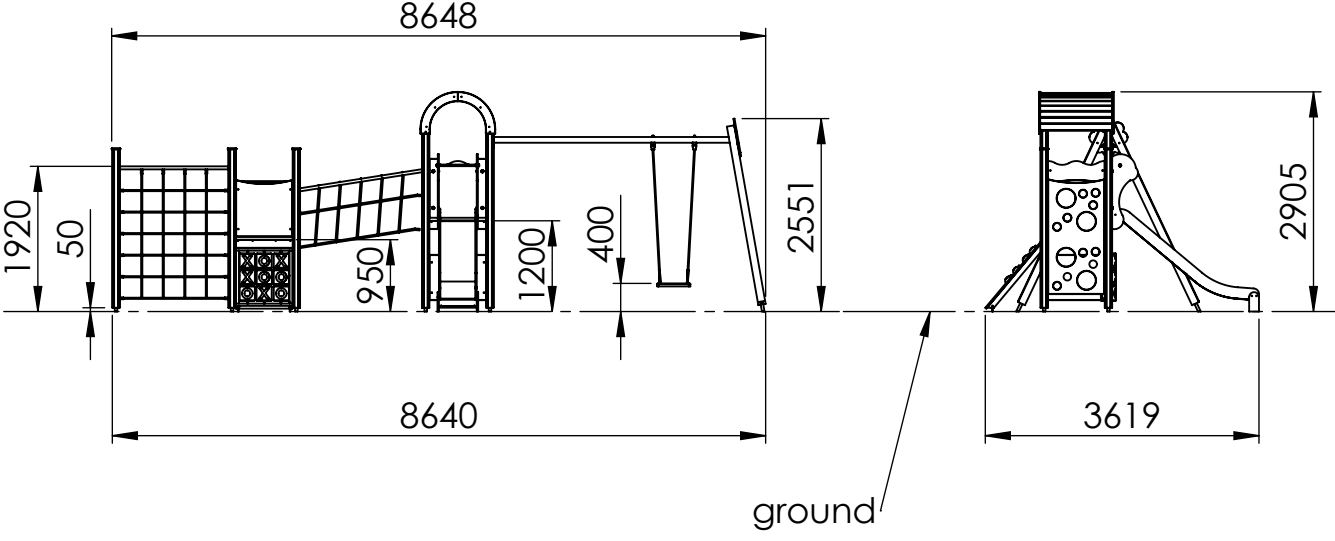
A4

WEIGHT:

SCALE: 1:70

SHEET 3 OF 22

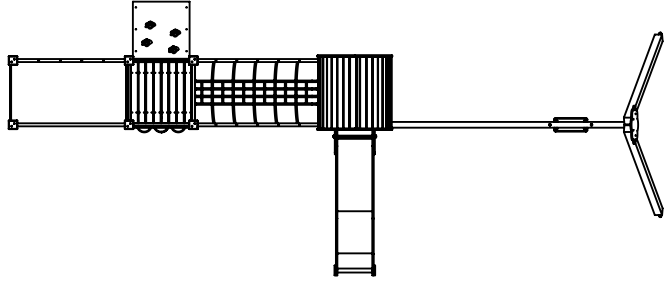
A



B

C

D



E

F

UNLESS OTHERWISE SPECIFIED:
DIMENSIONS ARE IN MILLIMETERS
WEIGHT ARE IN KILOGRAMM

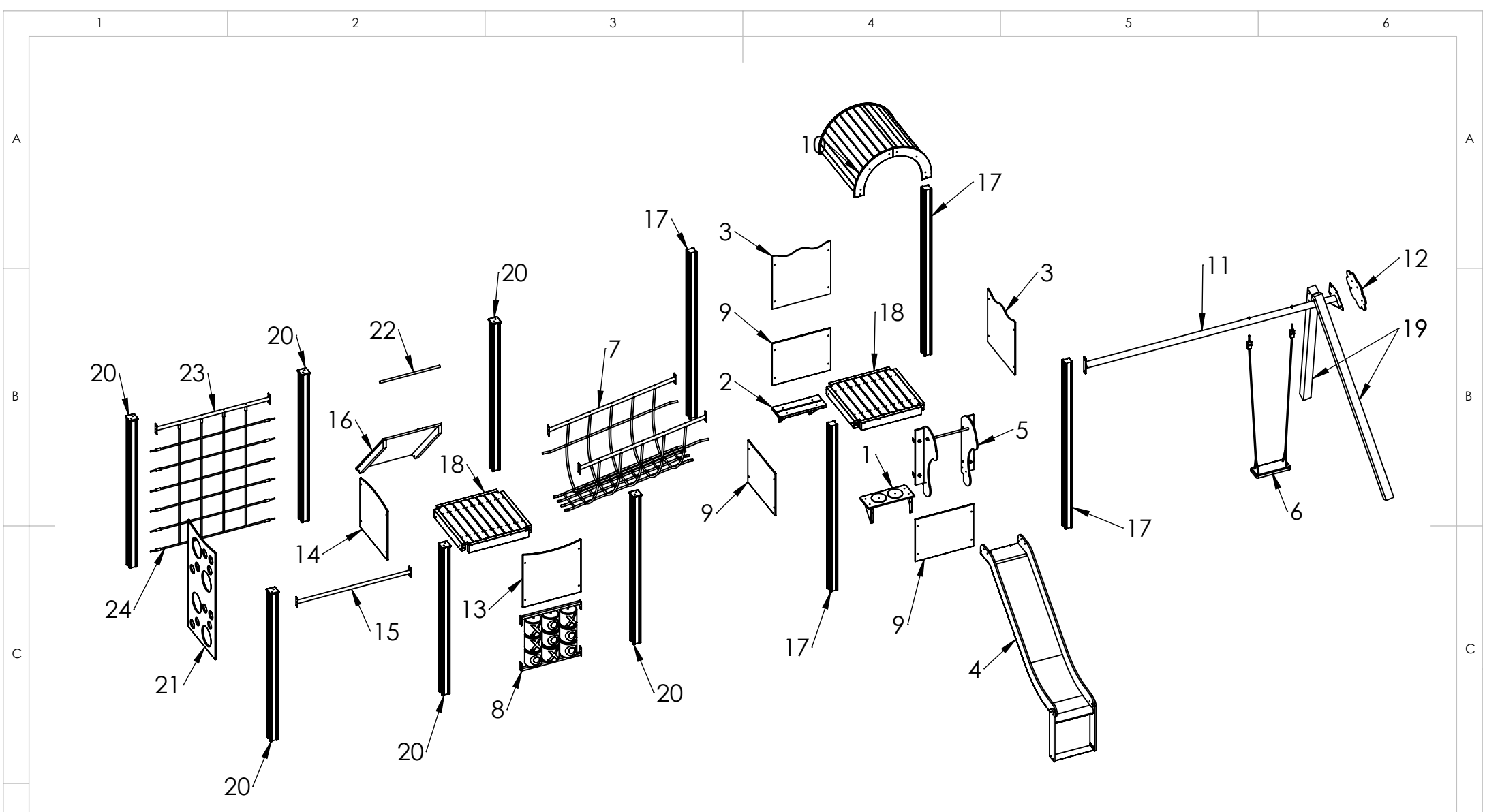
	NAME	SIGNATURE	DATE	REVISION
DRAWN	M.Rebase		17.01.2014	
APPV'D				


PART NUMBER / DWG NO.:	LM215
DESCRIPTION:	Play Centre LINCOLN




Tiptaptap OÜ
Veetorni 9,
Jüri alevik, Rae vald,
75301 Harjumaa

MATERIAL:	wood, plywood, metal, plastic	A4
WEIGHT:	SCALE: 1:100	SHEET 4 OF 22



UNLESS OTHERWISE SPECIFIED: DIMENSIONS ARE IN MILLIMETERS WEIGHT ARE IN KILOGRAMM					PART NUMBER / DWG NO.: LM215	
	NAME	SIGNATURE	DATE	REVISION	DESCRIPTION: Play Centre LINCOLN	
DRAWN	M.Rebase		17.01.2014		MATERIAL: wood, plywood, metal, plastic	
APPV'D					WEIGHT:	A4
 Tiptaptap OÜ Tiptaptap OÜ Veetorni 9, Jüri alevik, Rae vald, 75301 Harjumaa					SCALE: 1:60	SHEET 5 OF 22

ITEM NO.	PART NUMBER	DESCRIPTION	QTY.	
A	1	playcorner-kitchen	plywood, plastic	1
	2	playcorner-bench	laminated wood, plastic	1
	3	panel 750x750	plywood	2
	4	slide h_1200	stainless steel, PE plastic	1
	5	slide guard block	plywood, metal, plastic	1
	6	seat complect with fittings	rubber compound with aluminium insert	1
B	7	inclined rope bridge	PP covered steel wire	1
	8	OXO spinner	PE plastic	1
	9	panel 750x600	plywood	3
	10	roof	plywood, PE plastic	1
	11	beam 76x3245	galvanized steel	1
	12	side fixture	plastic	1
	13	panel 750x750	plywood	1
	14	panel 750x750	plywood	1
C	15	beam 40x1455	painted steel	1
	16	climbing ramp	plywood	1
	17	post 98x98x2350	laminated wood	4
	18	platform	laminated wood, metal	2
	19	post 98x98x2600	laminated wood	2
	20	post 98x98x2100	laminated wood	6
	21	climbing wall	plywood	1
	22	guardrail ϕ 25x770	painted steel	1
D	23	beam 40x1455 for net	painted steel	1
	24	climbing net	PP covered steel wire	1

E	UNLESS OTHERWISE SPECIFIED: DIMENSIONS ARE IN MILLIMETERS WEIGHT ARE IN KILOGRAMM				PART NUMBER / DWG NO.:	LM215
	NAME	SIGNATURE	DATE	REVISION		
F	DRAWN	M.Rebase	17.01.2014		DESCRIPTION:	Play Centre LINCOLN
	APPV'D					
 Tiptaptap OÜ Veetorni 9, Jüri alevik, Rae vald, 75301 Harjumaa					MATERIAL:	wood, plywood, metal, plastic
					WEIGHT:	A4
					SCALE: 1:10	SHEET 6 OF 22

A

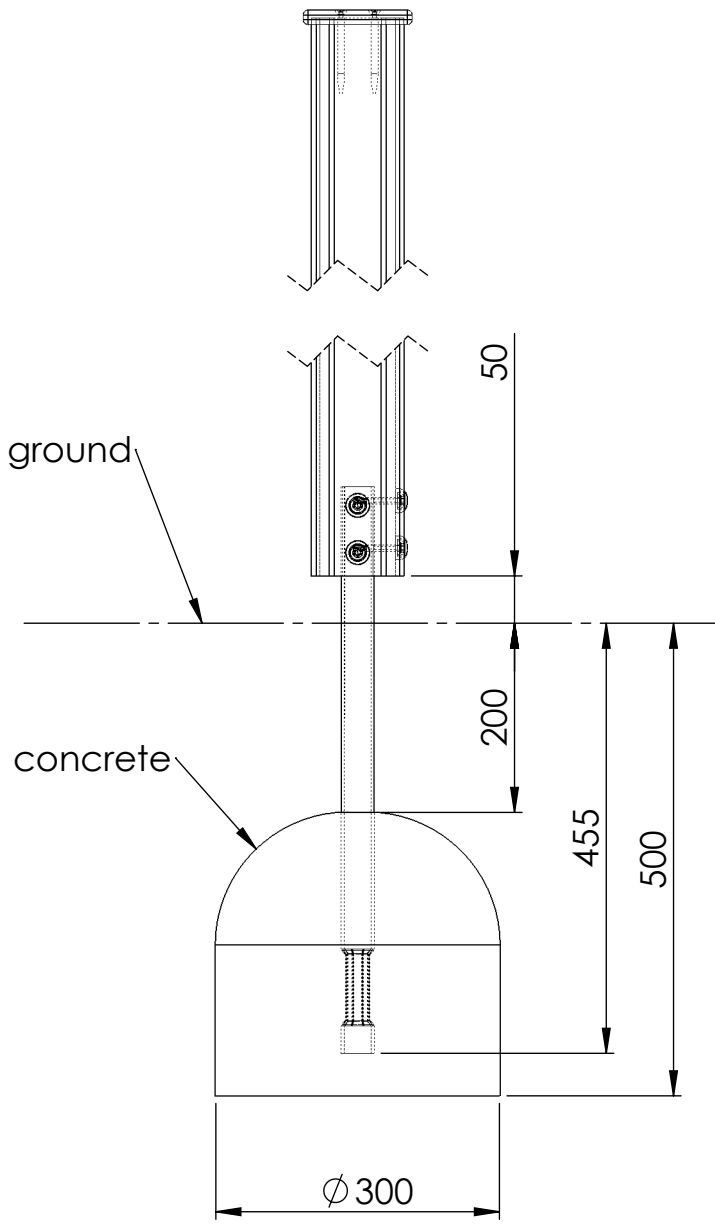
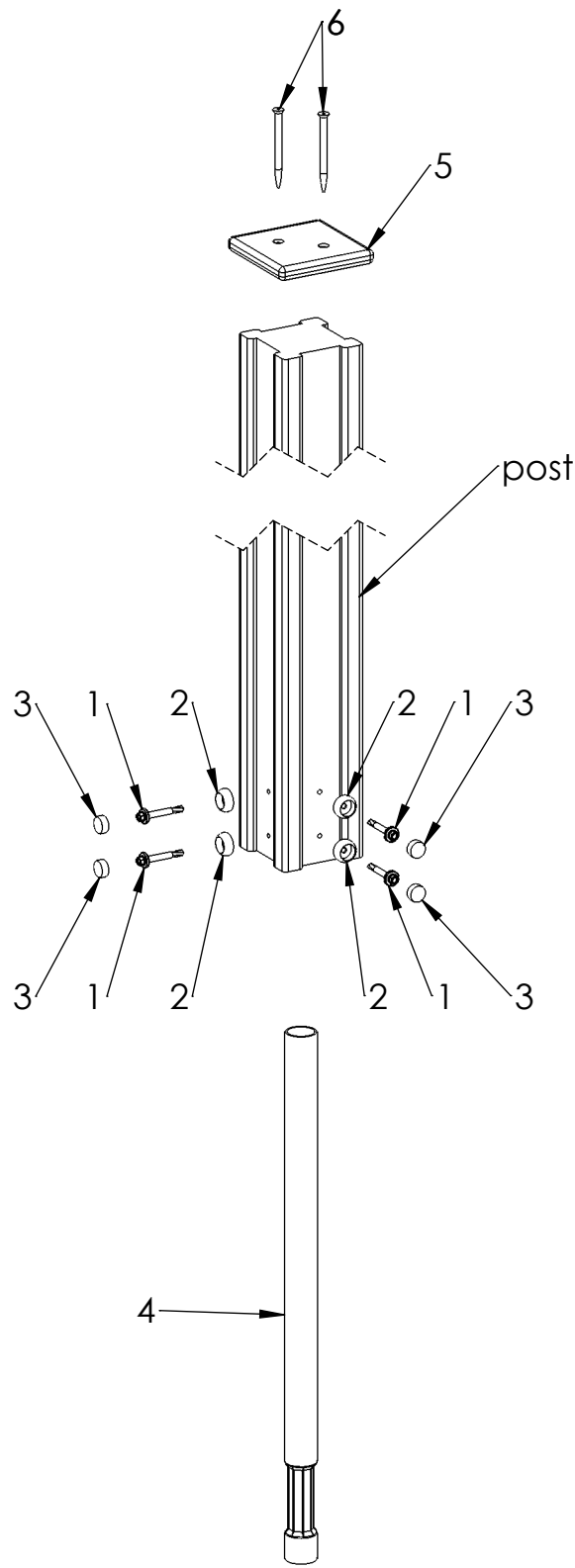
B

C

D

E

F



ITEM NO.	PART NUMBER
1	screw DIN7504K 5,5x50
2	nut cover M6
3	nut cover cap M6
4	metal ground fixing L_600
5	plastic cap 115x115
6	Woodscrew 6 x 90

UNLESS OTHERWISE SPECIFIED:
DIMENSIONS ARE IN MILLIMETERS
WEIGHT ARE IN KILOGRAMM

	NAME	SIGNATURE	DATE	REVISION
DRAWN	M.Rebase		17.01.2014	
APPV'D				

PART NUMBER / DWG NO.:
LM215

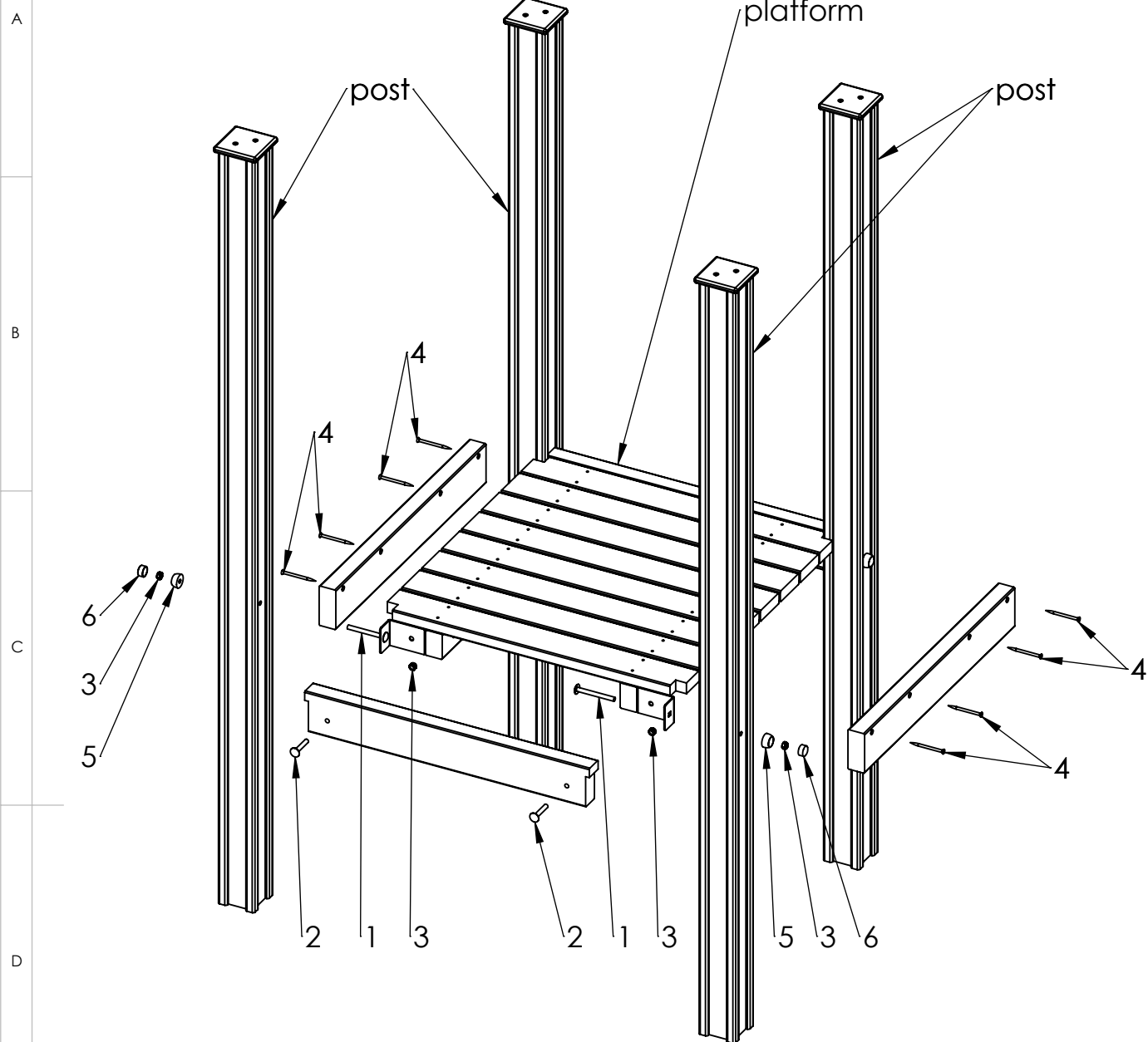
DESCRIPTION:
**Play Centre LINCOLN
connecting metal ground fixing to post**



Tiptaptap OÜ

Tiptaptap OÜ
Veetorni 9,
Jüri alevik, Rae vald,
75301 Harjumaa

MATERIAL: wood, plywood, metal, plastic	A4
WEIGHT:	SCALE: 1:8
	SHEET 7 OF 22



E

ITEM NO.	PART NUMBER
1	bolt DIN603 M10x100
2	bolt DIN603 M10x60
3	nut DIN985 M10
4	Woodscrew 6 x 90
5	nut cover M10
6	nut cover cap M10

F

UNLESS OTHERWISE SPECIFIED:
DIMENSIONS ARE IN MILLIMETERS
WEIGHT ARE IN KILOGRAMM

	NAME	SIGNATURE	DATE	REVISION
DRAWN	M.Rebase		17.01.2014	
APPV'D				

PART NUMBER / DWG NO.:

LM215

DESCRIPTION:

Play Centre LINCOLN
connecting platform to post

MATERIAL:

wood, plywood, metal, plastic

A4

WEIGHT:

SCALE: 1:15

SHEET 8 OF 22



Tiptaptap OÜ

Tiptaptap OÜ
Veetorni 9,
Jüri alevik, Rae vald,
75301 Harjumaa

A

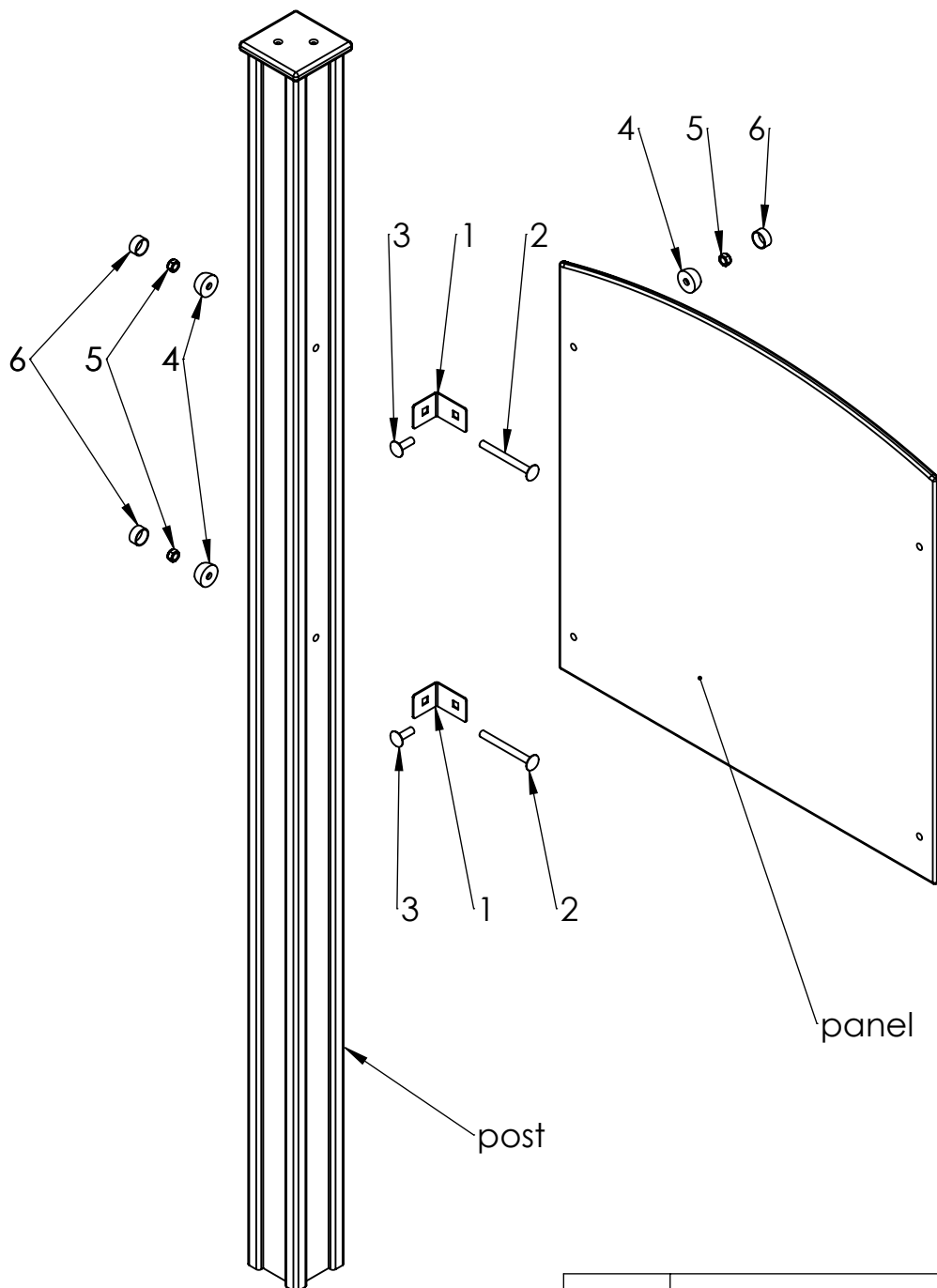
B

C

D

E

F



ITEM NO.	PART NUMBER
1	corner 48x60
2	bolt DIN603 M10x100
3	bolt DIN603 M10x30
4	nut cover M10
5	nut DIN985 M10
6	nut cover cap M10

UNLESS OTHERWISE SPECIFIED:
DIMENSIONS ARE IN MILLIMETERS
WEIGHT ARE IN KILOGRAMM

PART NUMBER / DWG NO.:

LM215

	NAME	SIGNATURE	DATE	REVISION
DRAWN	M.Rebase		17.01.2014	
APPV'D				

DESCRIPTION:

Play Centre LINCOLN
connecting panel to post

MATERIAL:

wood, plywood, metal, plastic

A4

WEIGHT:

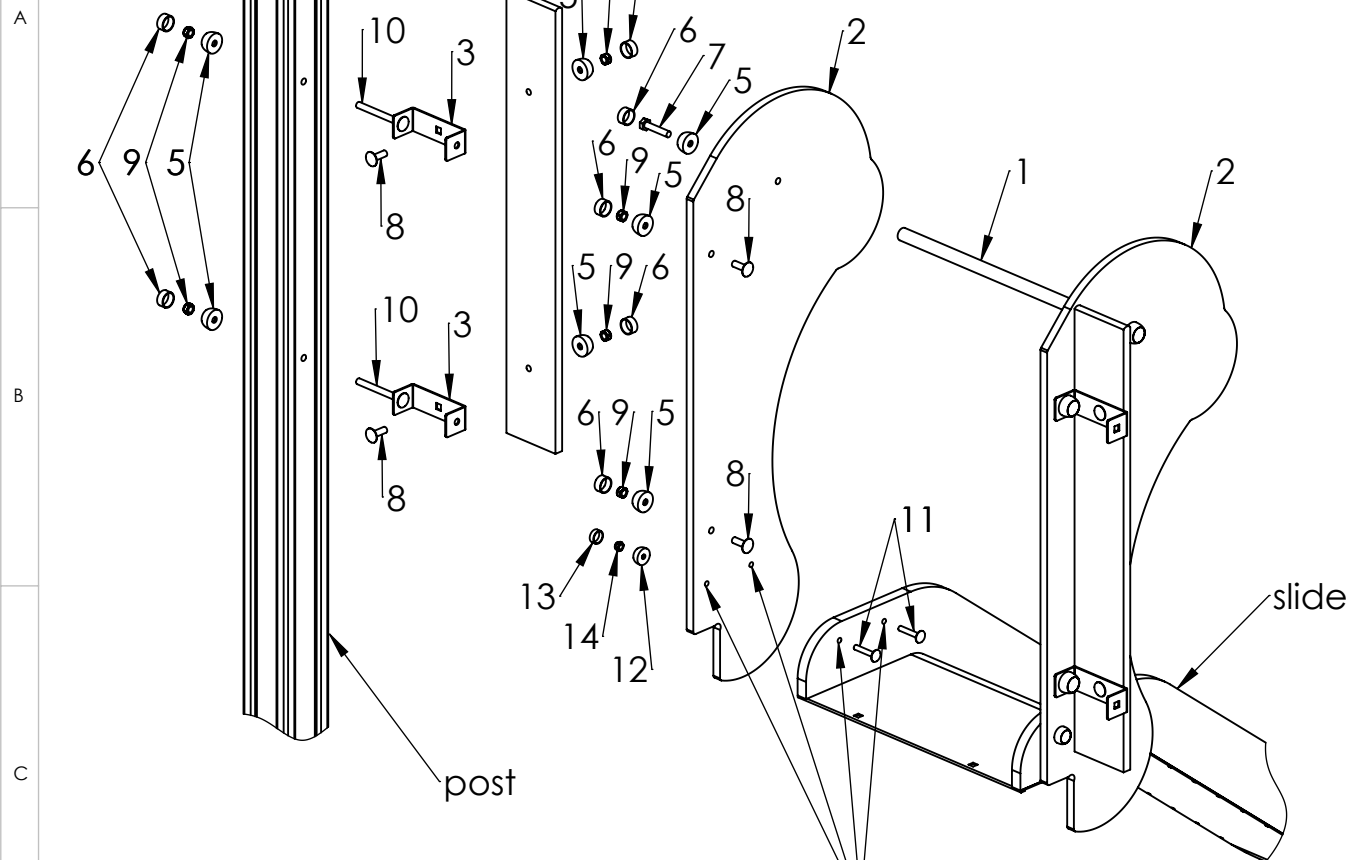
SCALE: 1:10

SHEET 9 OF 22



Tiptap OÜ

Tiptap OÜ
Veetorni 9,
Jüri alevik, Rae vald,
75301 Harjumaa



It is important to drill 8,5mm holes through side panel and slide.

ITEM NO.	PART NUMBER
1	slide guardrail
2	slide side panel
3	slide side panel fixing 40x120
4	side panel 110x780
5	nut cover M10
6	nut cover cap M10
7	bolt DIN931 M10x50
8	bolt DIN603 M10x30
9	nut DIN985 M10
10	bolt DIN603 M10x100
11	bolt DIN603 M8x45
12	nut cover M8
13	nut cover cap M8
14	nut DIN985 M8

UNLESS OTHERWISE SPECIFIED:
DIMENSIONS ARE IN MILLIMETERS
WEIGHT ARE IN KILOGRAMM

PART NUMBER / DWG NO.:

LM215

	NAME	SIGNATURE	DATE	REVISION
DRAWN	M.Rebase		17.01.2014	
APPV'D				

DESCRIPTION:

Play Centre LINCOLN
connecting slide guard block to post

MATERIAL:

wood, plywood, metal, plastic

A4

WEIGHT:

SCALE: 1:12

SHEET 10 OF 22



Tiptap OÜ

Tiptap OÜ
Veetorni 9,
Jüri alevik, Rae vald,
75301 Harjumaa

A

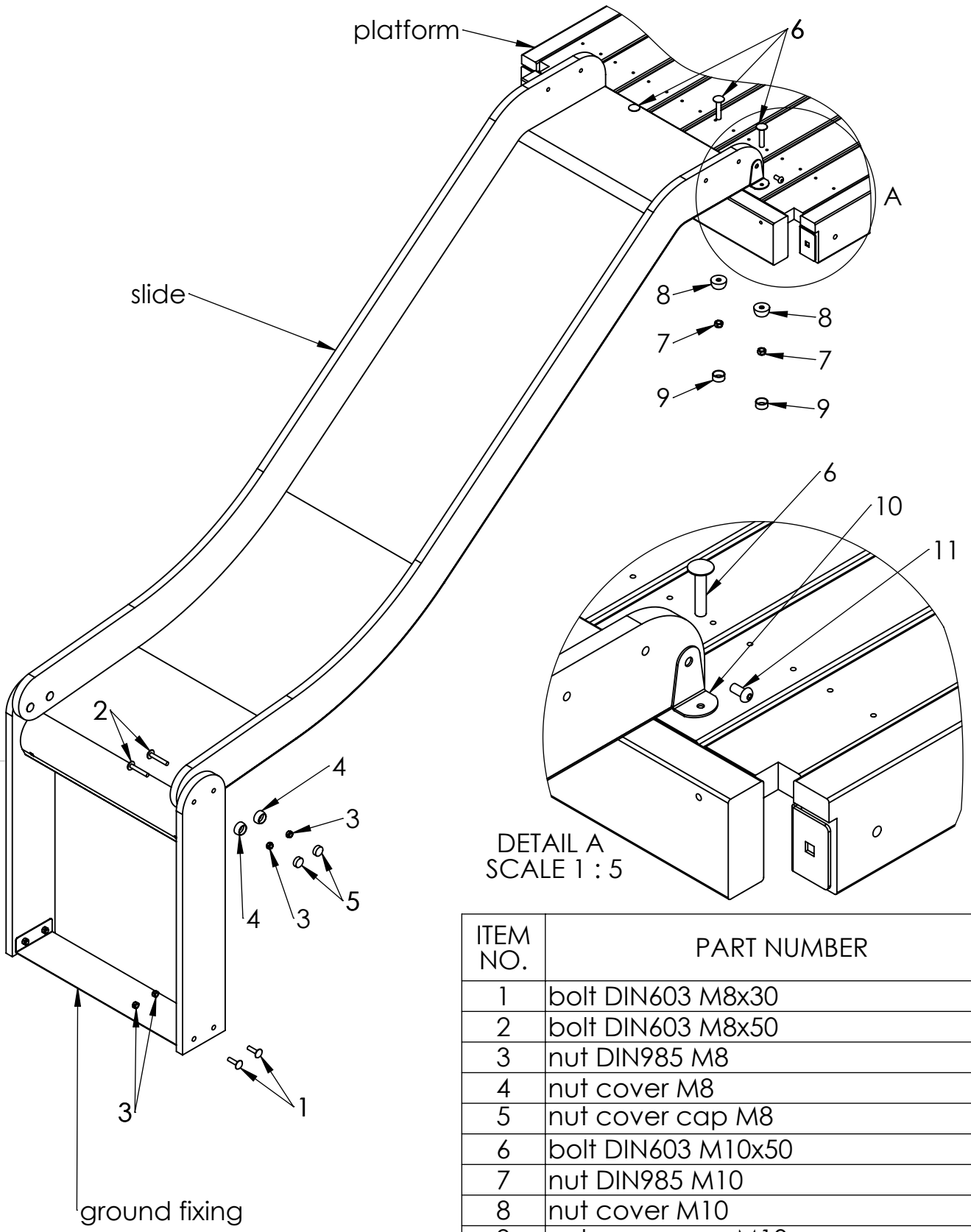
B

C

D

E

F



DETAIL A
SCALE 1 : 5

ITEM NO.	PART NUMBER
1	bolt DIN603 M8x30
2	bolt DIN603 M8x50
3	nut DIN985 M8
4	nut cover M8
5	nut cover cap M8
6	bolt DIN603 M10x50
7	nut DIN985 M10
8	nut cover M10
9	nut cover cap M10
10	corner 58x30
11	metal screw DIN 7380 M8x16

UNLESS OTHERWISE SPECIFIED:
DIMENSIONS ARE IN MILLIMETERS
WEIGHT ARE IN KILOGRAMM

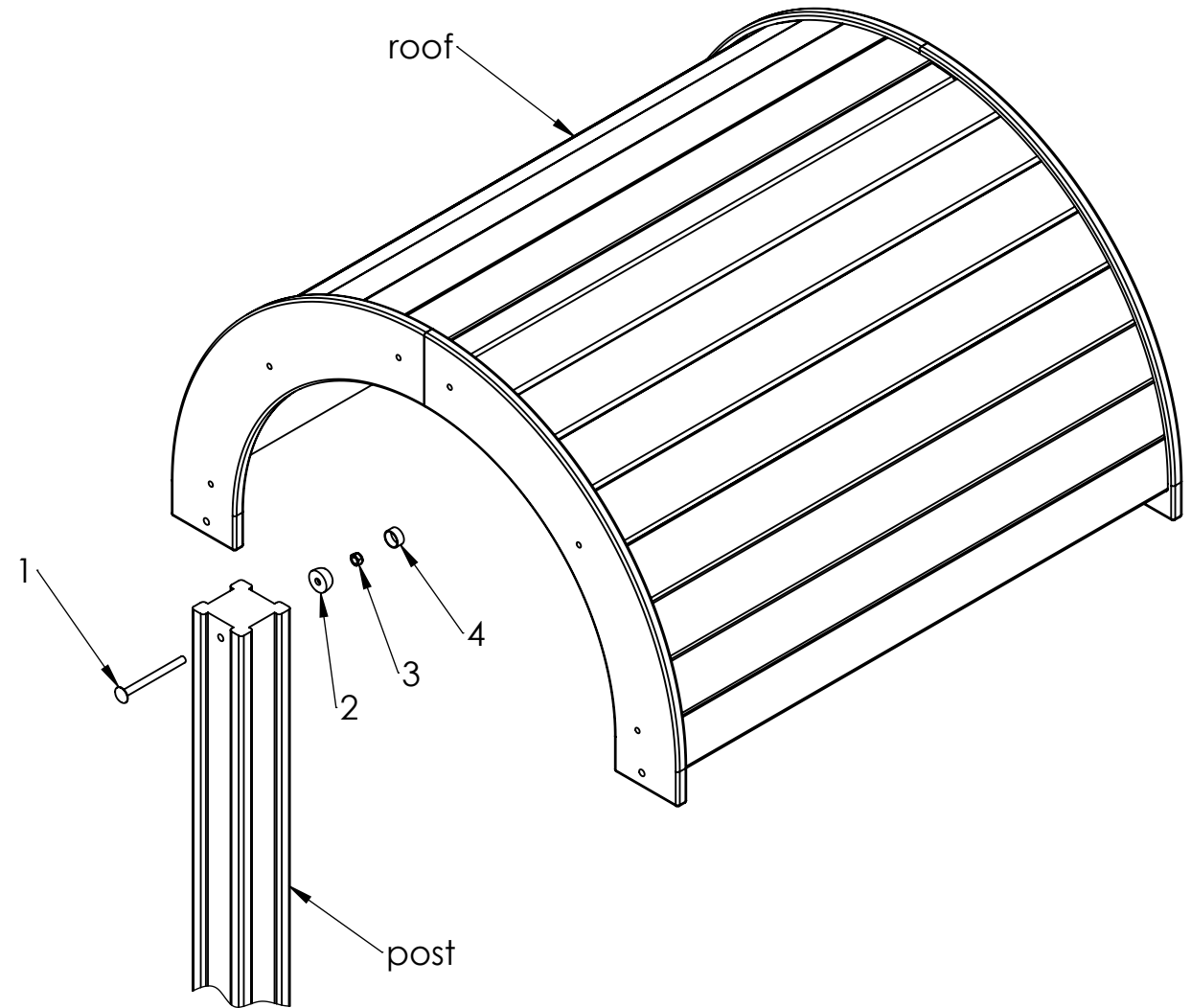
NAME	SIGNATURE	DATE	REVISION
DRAWN M.Rebase		17.01.2014	
APPV'D			

PART NUMBER / DWG NO.:		LM215	
DESCRIPTION:			
Play Centre LINCOLN connecting slide to platform			
MATERIAL:		wood, plywood, metal, plastic	A4
WEIGHT:		SCALE: 1:12	SHEET 11 OF 22



Tiptaptap OÜ

Tiptaptap OÜ
Veetorni 9,
Jüri alevik, Rae vald,
75301 Harjumaa



ITEM NO.	PART NUMBER
1	bolt DIN603 M10x120
2	nut cover M10
3	nut DIN985 M10
4	nut cover cap M10

UNLESS OTHERWISE SPECIFIED:
DIMENSIONS ARE IN MILLIMETERS
WEIGHT ARE IN KILOGRAMM

PART NUMBER / DWG NO.:

LM215

	NAME	SIGNATURE	DATE	REVISION
DRAWN	M.Rebase		17.01.2014	
APPV'D				

DESCRIPTION:

Play Centre LINCOLN
connecting roof to post



Tiptaptap OÜ

Tiptaptap OÜ
Veetorni 9,
Jüri alevik, Rae vald,
75301 Harjumaa

MATERIAL:

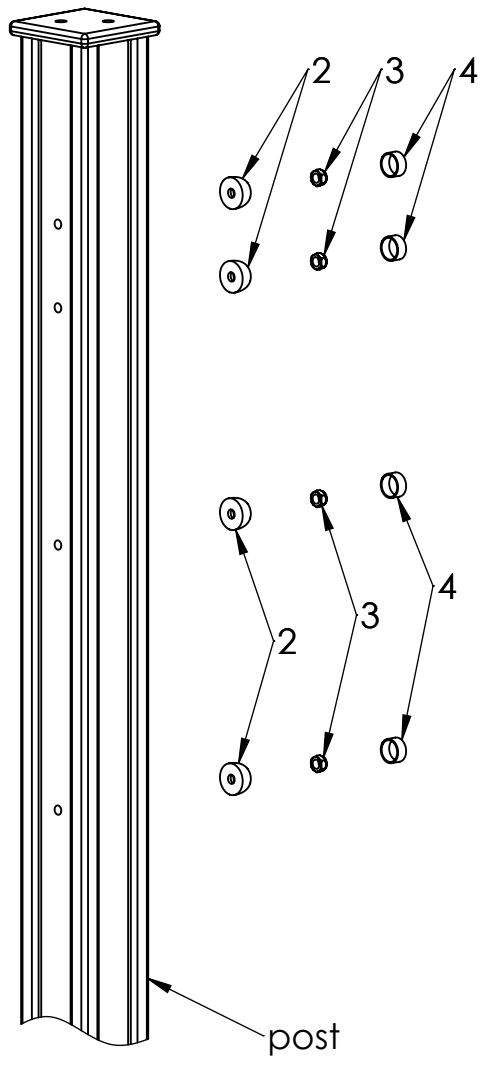
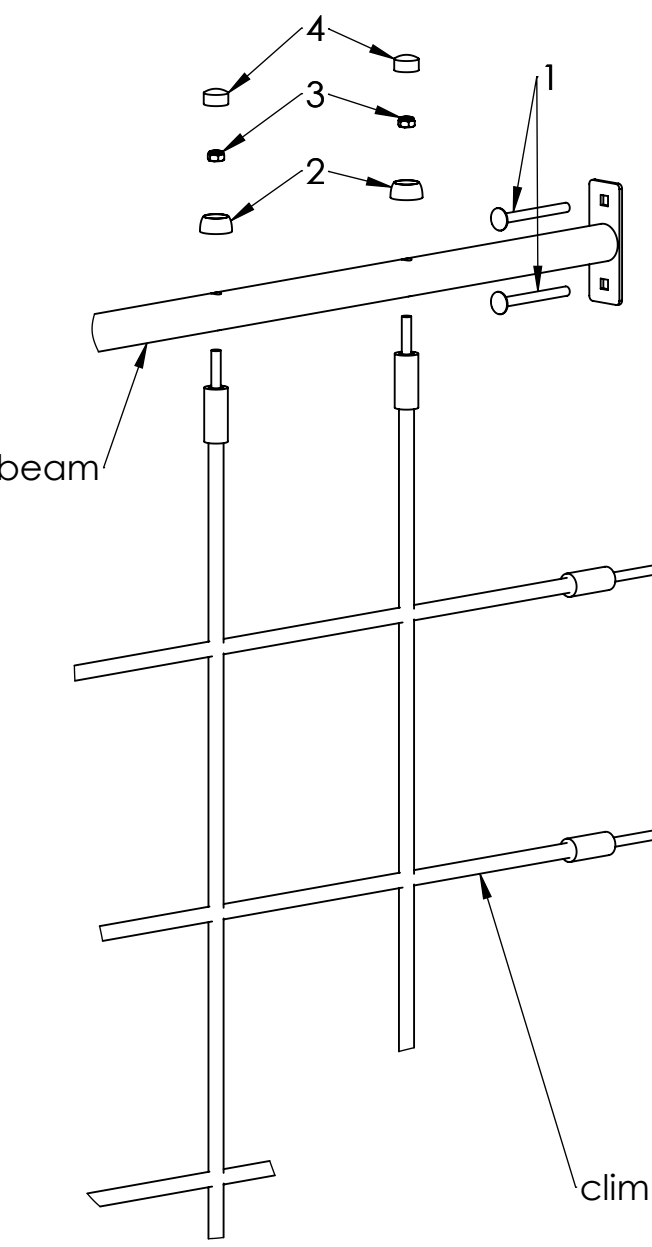
wood, plywood, metal, plastic

A4

WEIGHT:

SCALE: 1:10

SHEET 12 OF 22



ITEM NO.	PART NUMBER
1	bolt DIN603 M10x100
2	nut cover M10
3	nut DIN985 M10
4	nut cover cap M10
6	beam 40x1455 for net

UNLESS OTHERWISE SPECIFIED: DIMENSIONS ARE IN MILLIMETERS WEIGHT ARE IN KILOGRAMM				
	NAME	SIGNATURE	DATE	REVISION
DRAWN	M.Rebase		17.01.2014	
APPV'D				

PART NUMBER / DWG NO.:	LM215
DESCRIPTION:	Play Centre LINCOLN connecting beam and climbing net to post



Tiptap OÜ
Veetorni 9,
Jüri alevik, Rae vald,
75301 Harjumaa

MATERIAL:	wood, plywood, metal, plastic	A4
WEIGHT:	SCALE: 1:8	SHEET 13 OF 22

A

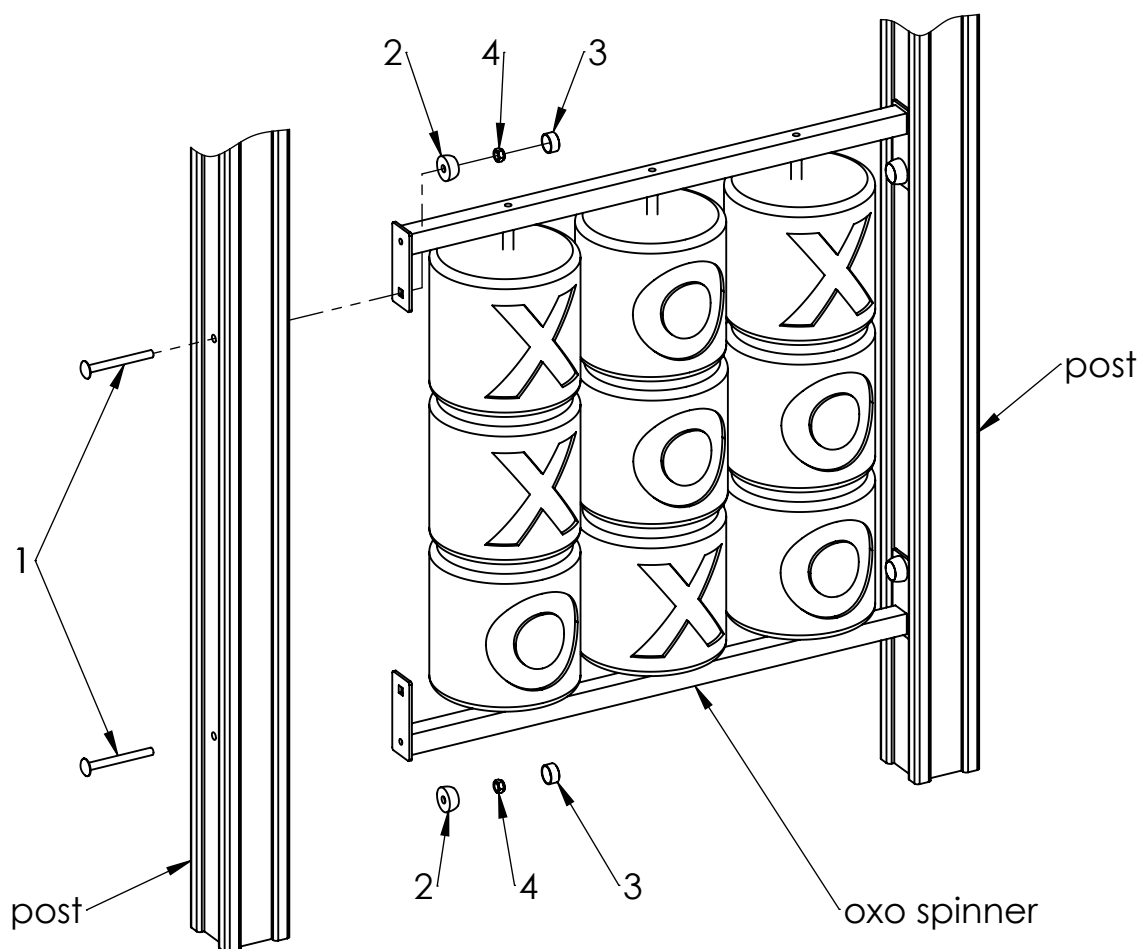
B

C

D

E

F



ITEM NO.	PART NUMBER
1	bolt DIN603 M10x100
2	nut cover M10
3	nut cover cap M10
4	nut DIN985 M10

UNLESS OTHERWISE SPECIFIED:
DIMENSIONS ARE IN MILLIMETERS
WEIGHT ARE IN KILOGRAMM

PART NUMBER / DWG NO.:

LM215

	NAME	SIGNATURE	DATE	REVISION
DRAWN	M.Rebase		17.01.2014	
APPV'D				

DESCRIPTION:

Play Centre LINCOLN
connecting oxo spinner to post

MATERIAL:

wood, plywood, metal, plastic

A4

WEIGHT:

SCALE: 1:10

SHEET 14 OF 22



Tiptaptap OÜ

Tiptaptap OÜ
Veetorni 9,
Jüri alevik, Rae vald,
75301 Harjumaa

A

B

C

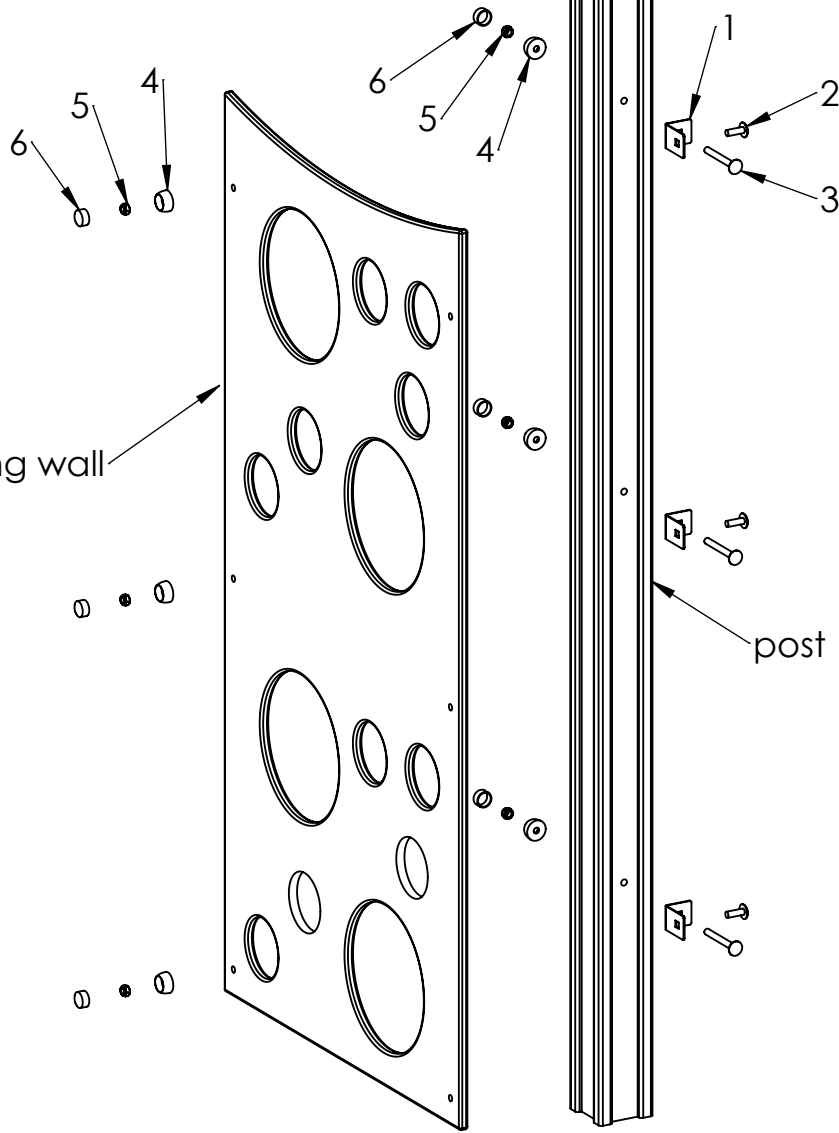
D

E

F

climbing wall

post



ITEM NO.	PART NUMBER
1	corner 48x60
2	bolt DIN603 M10x30
3	bolt DIN603 M10x90
4	nut cover M10
5	nut DIN985 M10
6	nut cover cap M10

UNLESS OTHERWISE SPECIFIED:
 DIMENSIONS ARE IN MILLIMETERS
 WEIGHT ARE IN KILOGRAMM

PART NUMBER / DWG NO.:

LM215

	NAME	SIGNATURE	DATE	REVISION
DRAWN	M.Rebase		17.01.2014	
APPV'D				

DESCRIPTION:

Play Centre LINCOLN
 connecting climbing wall to post



Tiptap OÜ

Tiptap OÜ
 Veetorni 9,
 Jüri alevik, Rae vald,
 75301 Harjumaa

MATERIAL:

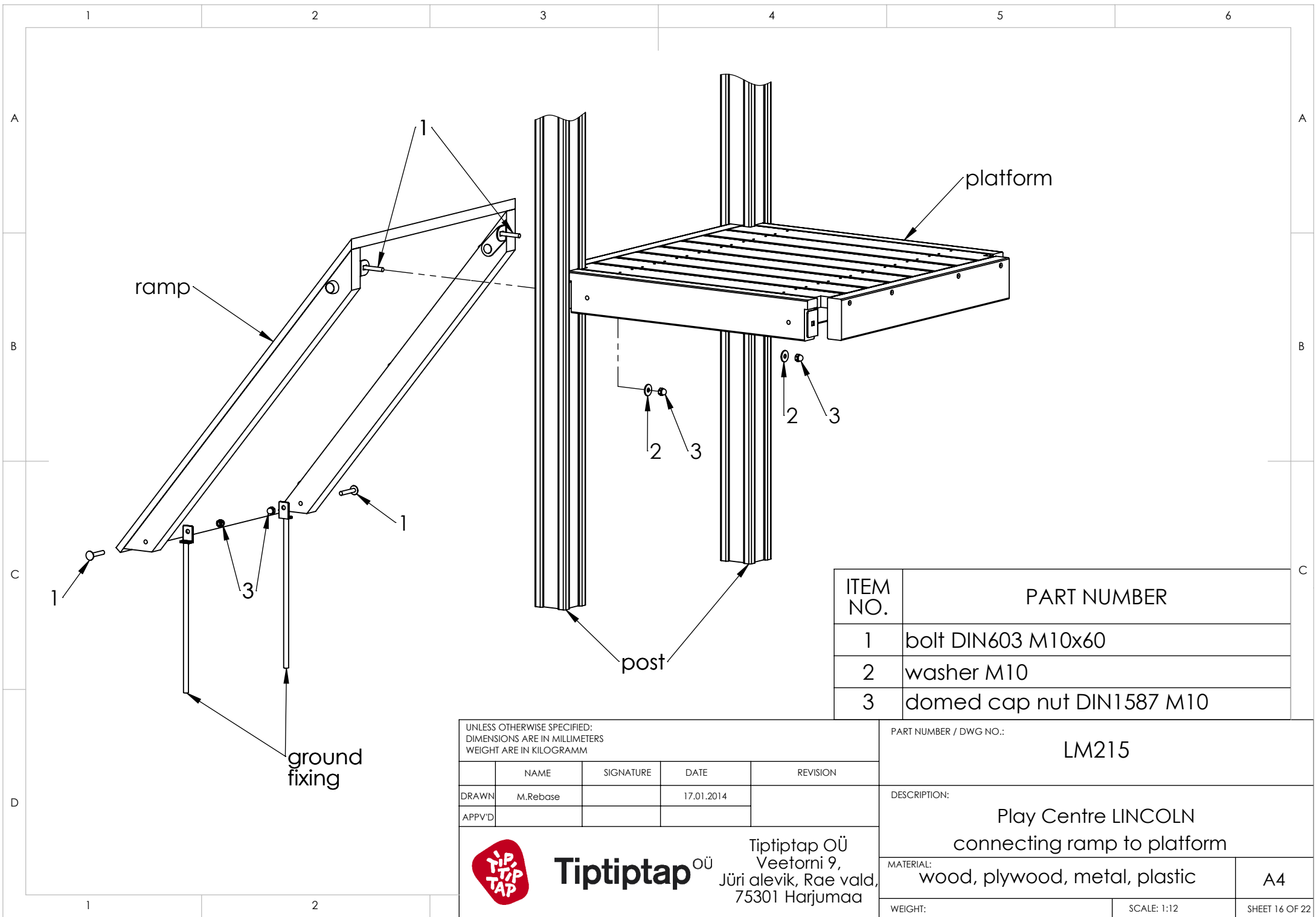
wood, plywood, metal, plastic

A4

WEIGHT:

SCALE: 1:12

SHEET 15 OF 22



ITEM NO.	PART NUMBER
1	bolt DIN603 M10x60
2	washer M10
3	domed cap nut DIN1587 M10

UNLESS OTHERWISE SPECIFIED:
 DIMENSIONS ARE IN MILLIMETERS
 WEIGHT ARE IN KILOGRAMM

	NAME	SIGNATURE	DATE	REVISION
DRAWN	M.Rebase		17.01.2014	
APPV'D				



Tiptaptap OÜ
 Tiptaptap OÜ
 Veetorni 9,
 Jüri alevik, Rae vald,
 75301 Harjumaa

PART NUMBER / DWG NO.:		LM215
DESCRIPTION:		
Play Centre LINCOLN connecting ramp to platform		
MATERIAL:	wood, plywood, metal, plastic	A4
WEIGHT:	SCALE: 1:12	SHEET 16 OF 22

A

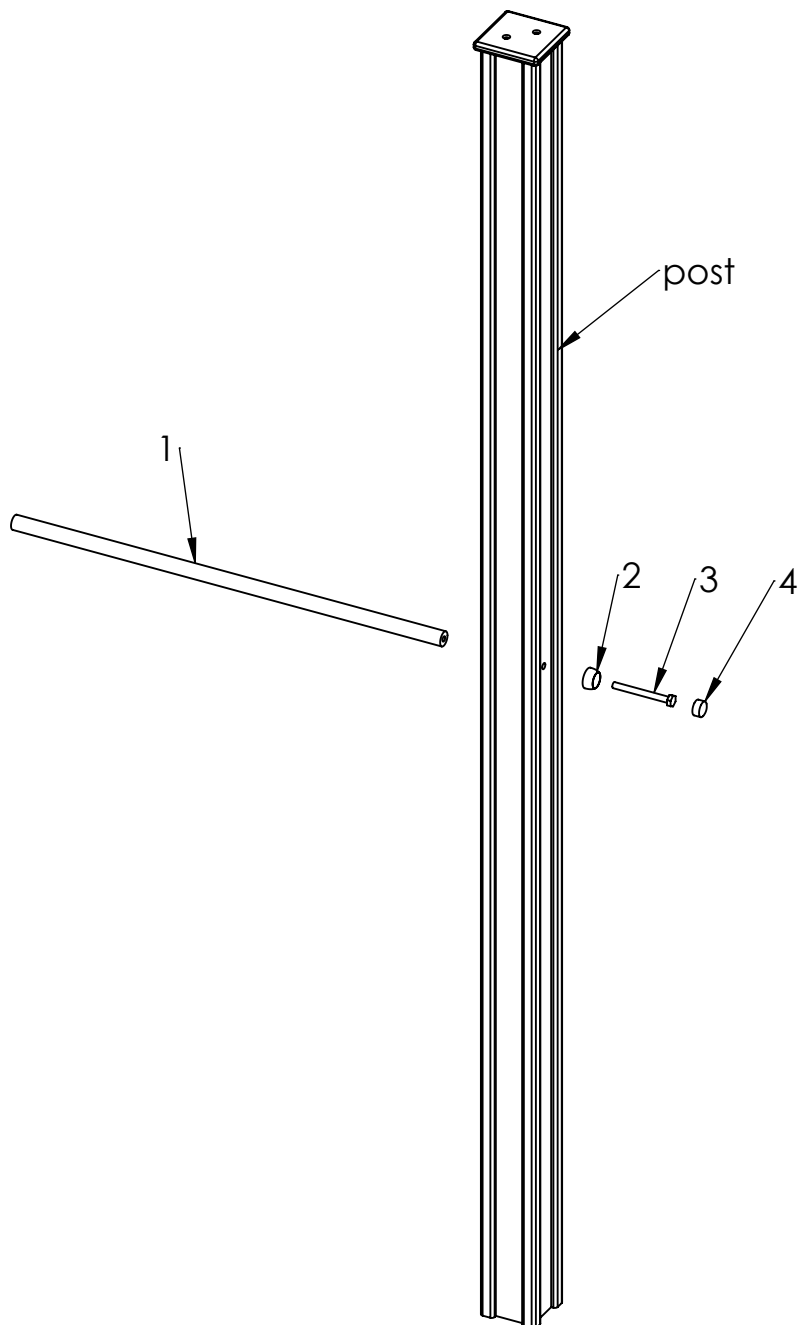
B

C

D

E

F



ITEM NO.	PART NUMBER
1	guardrail ϕ 25x770
2	nut cover M10
3	bolt DIN931 M10x100
4	nut cover cap M10

UNLESS OTHERWISE SPECIFIED:
DIMENSIONS ARE IN MILLIMETERS
WEIGHT ARE IN KILOGRAMM

	NAME	SIGNATURE	DATE	REVISION
DRAWN	M.Rebase		17.01.2014	
APPV'D				

PART NUMBER / DWG NO.:

LM215
connecting guardrail to post

DESCRIPTION:

Play Centre LINCOLN

MATERIAL:

wood, plywood, metal, plastic

A4

WEIGHT:

SCALE: 1:12

SHEET 17 OF 22



Tiptaptap OÜ

Tiptaptap OÜ
Veetorni 9,
Jüri alevik, Rae vald,
75301 Harjumaa

A

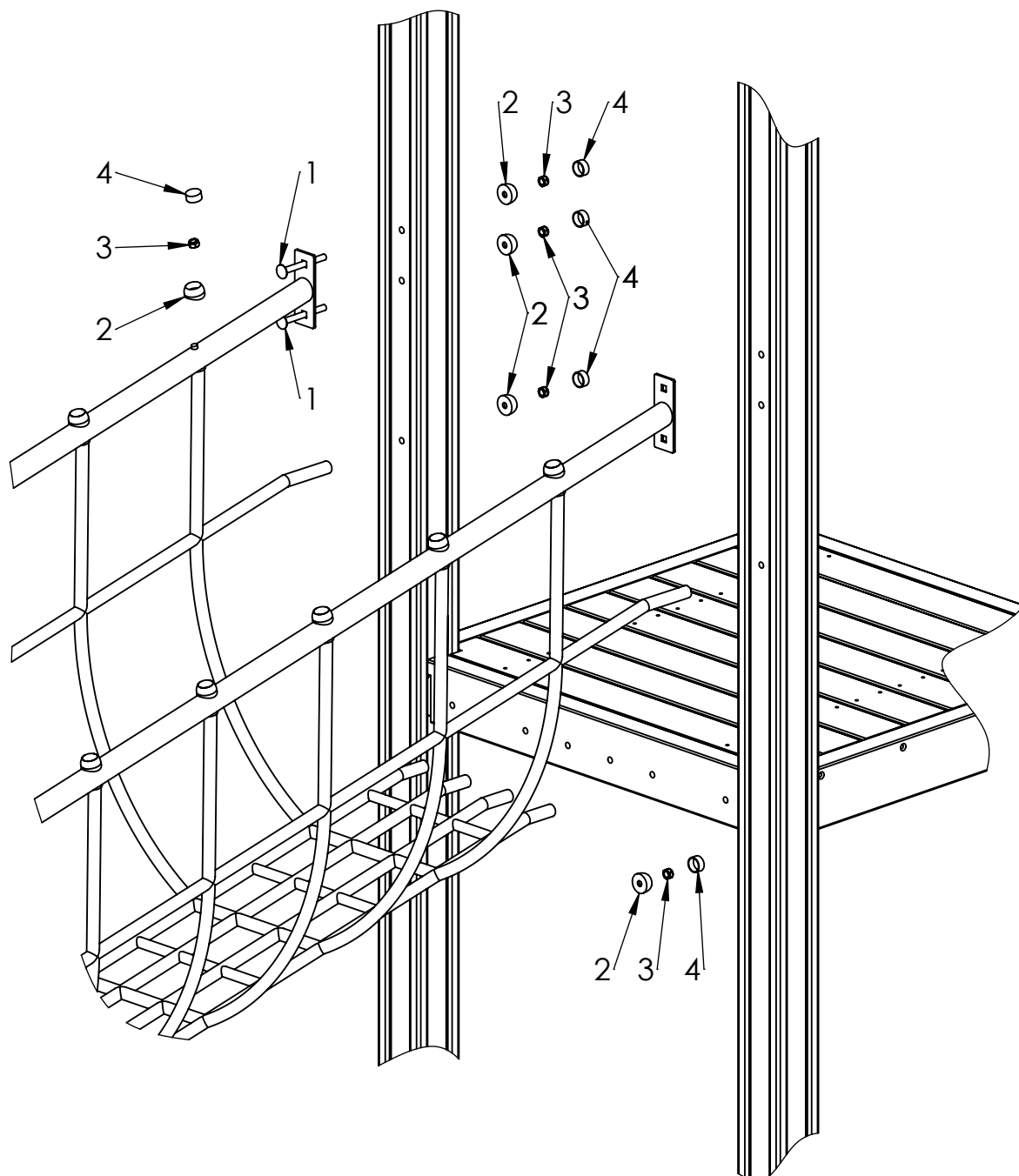
B

C

D

E

F



ITEM NO.	PART NUMBER
1	bolt DIN603 M10x100
2	nut cover M10
3	nut DIN985 M10
4	nut cover cap M10

UNLESS OTHERWISE SPECIFIED:
DIMENSIONS ARE IN MILLIMETERS
WEIGHT ARE IN KILOGRAMM

PART NUMBER / DWG NO.:

LM215

	NAME	SIGNATURE	DATE	REVISION
DRAWN	M.Rebase		17.01.2014	
APPV'D				

DESCRIPTION:

Play Centre LINCOLN
connecting bridge to post and platform

MATERIAL:

wood, plywood, metal, plastic

A4

WEIGHT:

SCALE: 1:11

SHEET 18 OF 22



Tiptaptap OÜ

Tiptaptap OÜ
Veetorni 9,
Jüri alevik, Rae vald,
75301 Harjumaa

A

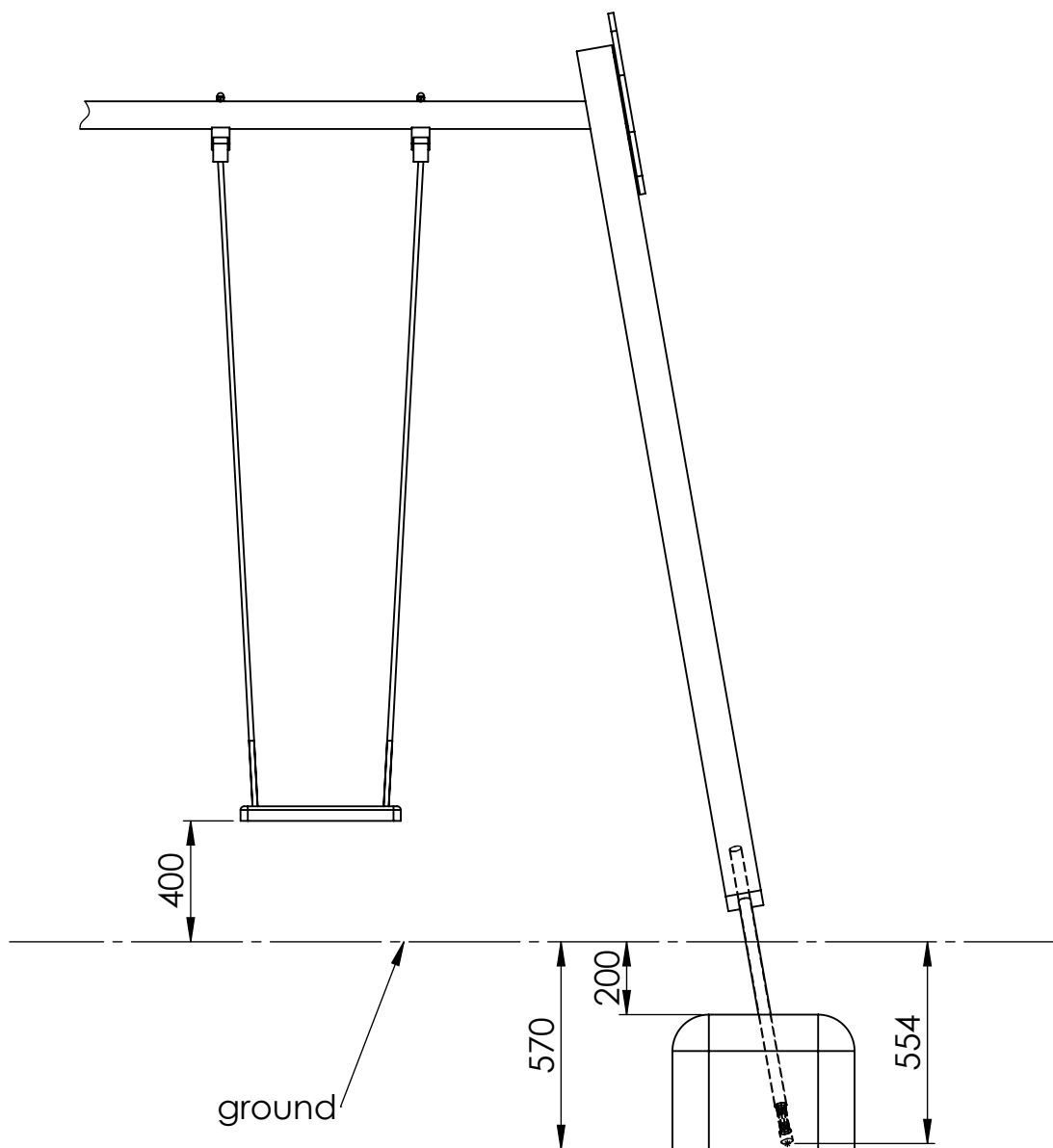
B

C

D

E

F



UNLESS OTHERWISE SPECIFIED:
DIMENSIONS ARE IN MILLIMETERS
WEIGHT ARE IN KILOGRAMM

PART NUMBER / DWG NO.:

LM215

	NAME	SIGNATURE	DATE	REVISION
DRAWN	M.Rebase		17.01.2014	
APPV'D				

DESCRIPTION:

Play Centre LINCOLN



Tiptaptap OÜ

Tiptaptap OÜ
Veetorni 9,
Jüri alevik, Rae vald,
75301 Harjumaa

MATERIAL:

wood, plywood, metal, plastic

A4

WEIGHT:

SCALE: 1:20

SHEET 19 OF 22

A

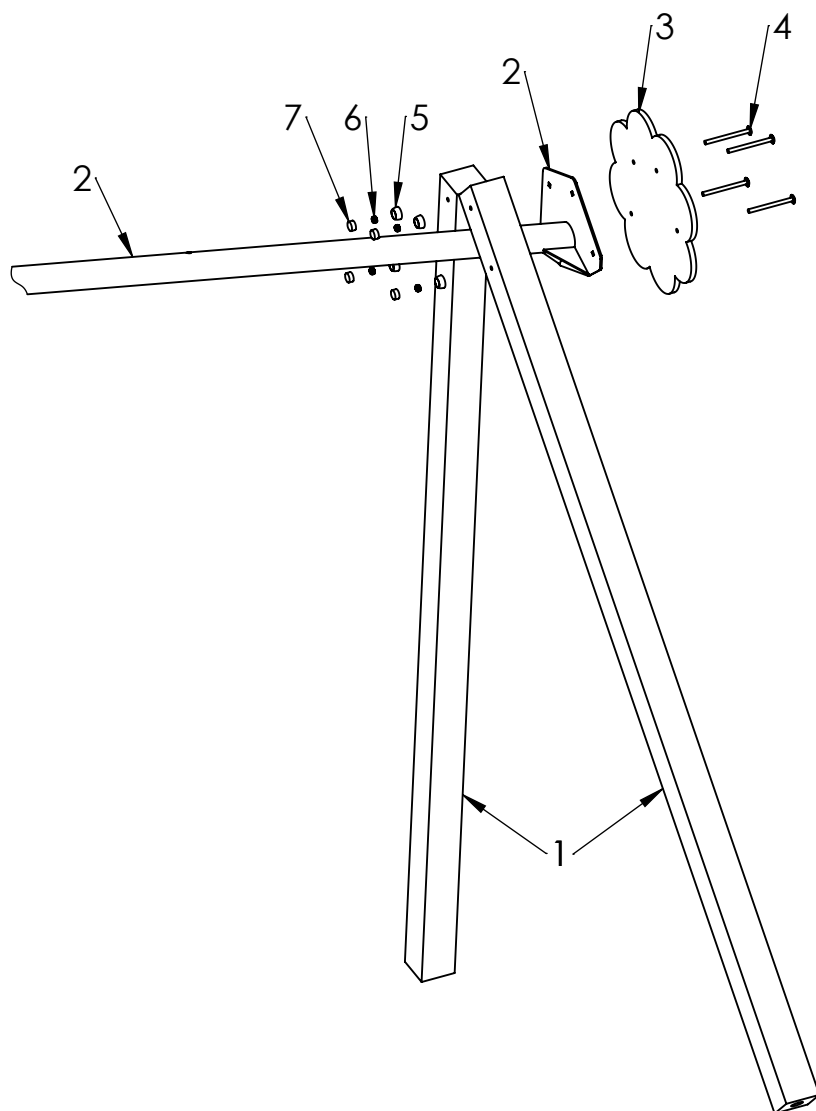
B

C

D

E

F



ITEM NO.	PART NUMBER
1	post 98x98x2600
2	beam 76x3245
3	side fixture
4	bolt DIN603 M10x130
5	nut cover M10
6	nut DIN985 M10
7	nut cover cap M10

UNLESS OTHERWISE SPECIFIED:
DIMENSIONS ARE IN MILLIMETERS
WEIGHT ARE IN KILOGRAMM

PART NUMBER / DWG NO.:

LM215

	NAME	SIGNATURE	DATE	REVISION
DRAWN	M.Rebase		17.01.2014	
APPV'D				

DESCRIPTION:

Play Centre LINCOLN



Tiptiptap OÜ

Tiptiptap OÜ
Veetorni 9,
Jüri alevik, Rae vald,
75301 Harjumaa

MATERIAL:

wood, plywood, metal, plastic

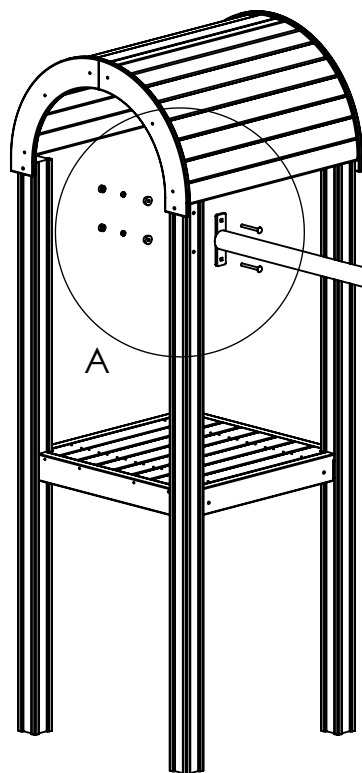
A4

WEIGHT:

SCALE: 1:20

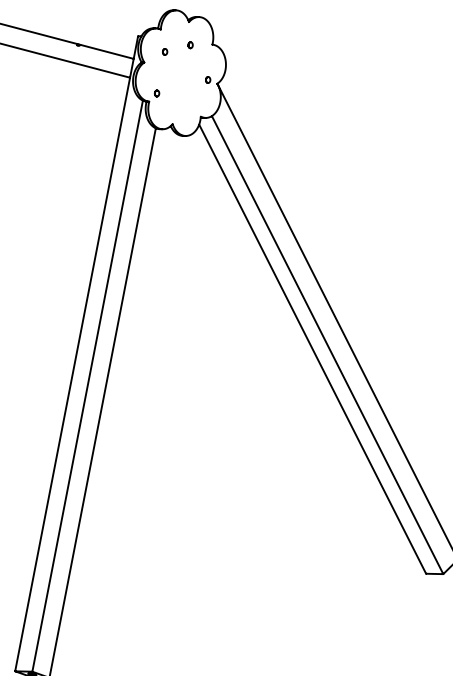
SHEET 20 OF 22

A

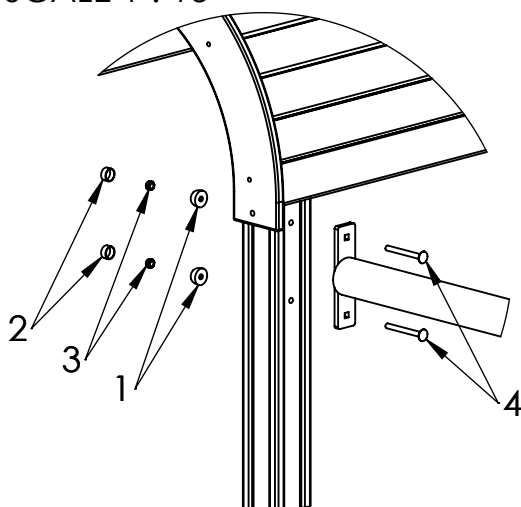


B

C



DETAIL A
SCALE 1 : 15



D

E

ITEM NO.	PART NUMBER
1	nut cover M10
2	nut cover cap M10
3	nut DIN985 M10
4	bolt DIN603 M10x100

UNLESS OTHERWISE SPECIFIED:
DIMENSIONS ARE IN MILLIMETERS
WEIGHT ARE IN KILOGRAMM

PART NUMBER / DWG NO.:

LM215

	NAME	SIGNATURE	DATE	REVISION
DRAWN	M.Rebase		17.01.2014	
APPV'D				

DESCRIPTION:

Play Centre LINCOLN

F



Tiptaptap OÜ

Tiptaptap OÜ
Veetorni 9,
Jüri alevik, Rae vald,
75301 Harjumaa

MATERIAL:

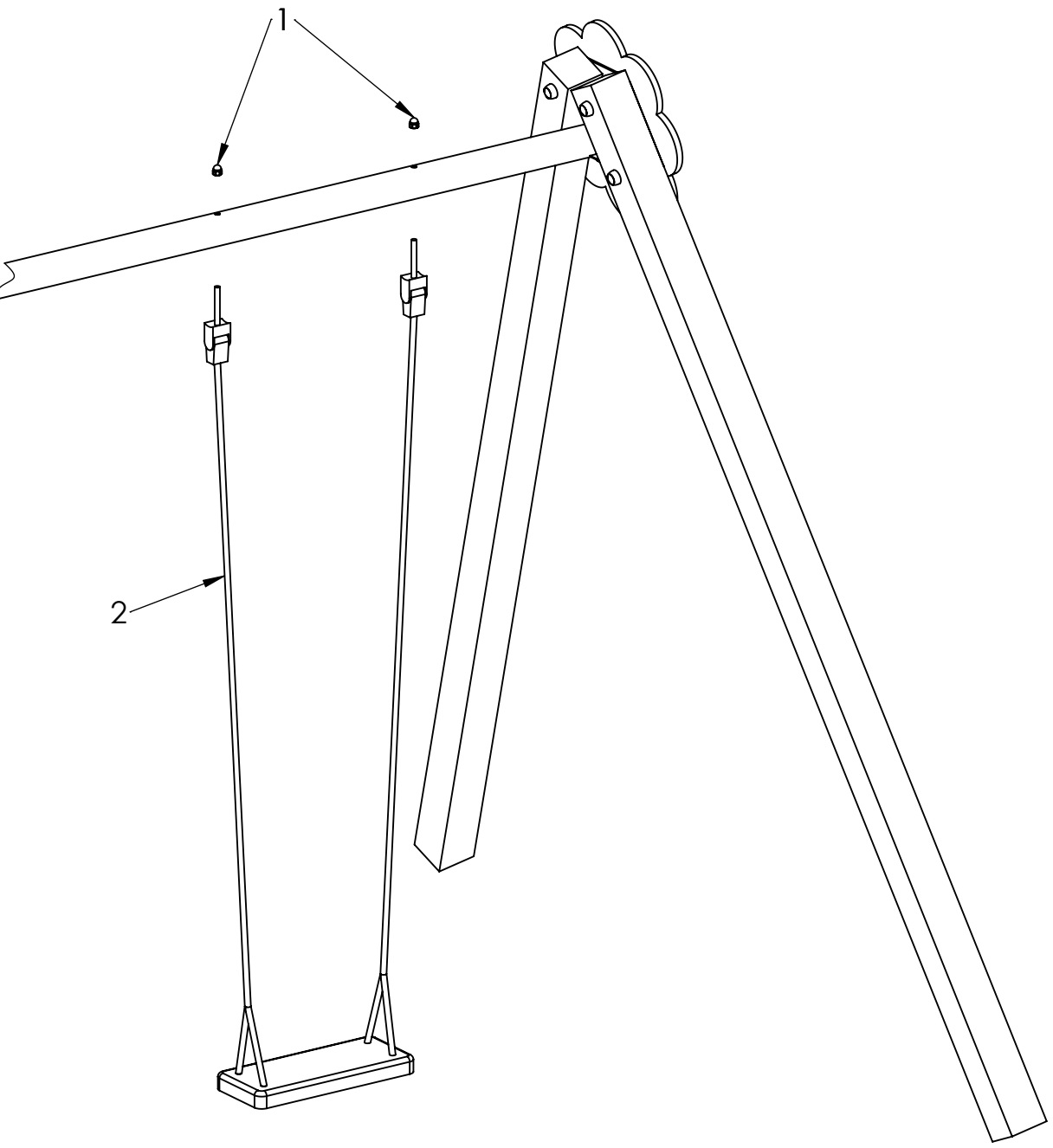
wood, plywood, metal, plastic

A4

WEIGHT:

SCALE: 1:30

SHEET 21 OF 22



ITEM NO.	PART NUMBER
1	domed cap nut DIN1587 M12
2	seat complet with fittings

UNLESS OTHERWISE SPECIFIED: DIMENSIONS ARE IN MILLIMETERS WEIGHT ARE IN KILOGRAMM				
	NAME	SIGNATURE	DATE	REVISION
DRAWN	M.Rebase		17.01.2014	
APPV'D				

PART NUMBER / DWG NO.:	LM215
DESCRIPTION:	Play Centre LINCOLN


Tiptaptap OÜ
 Veetorni 9,
 Jüri alevik, Rae vald,
 75301 Harjumaa

MATERIAL:	wood, plywood, metal, plastic	A4
WEIGHT:	SCALE: 1:15	SHEET 22 OF 22