

A

B

C

D

E

F



UNLESS OTHERWISE SPECIFIED:
DIMENSIONS ARE IN MILLIMETERS
WEIGHT ARE IN KILOGRAMM

PART NUMBER / DWG NO.:

LM215-1

	NAME	SIGNATURE	DATE	REVISION
DRAWN	M.Rebase		01.06.2015	
APPV'D				

DESCRIPTION:

Play Centre LINDSAY



Tiptaptap OÜ

Tiptaptap OÜ
Veetorni 9,
Jüri alevik, Rae vald,
75301 Harjumaa

MATERIAL:

wood, plywood, metal, plastic

A4

WEIGHT:

SCALE: 1:30

SHEET 1 OF 20

safety area

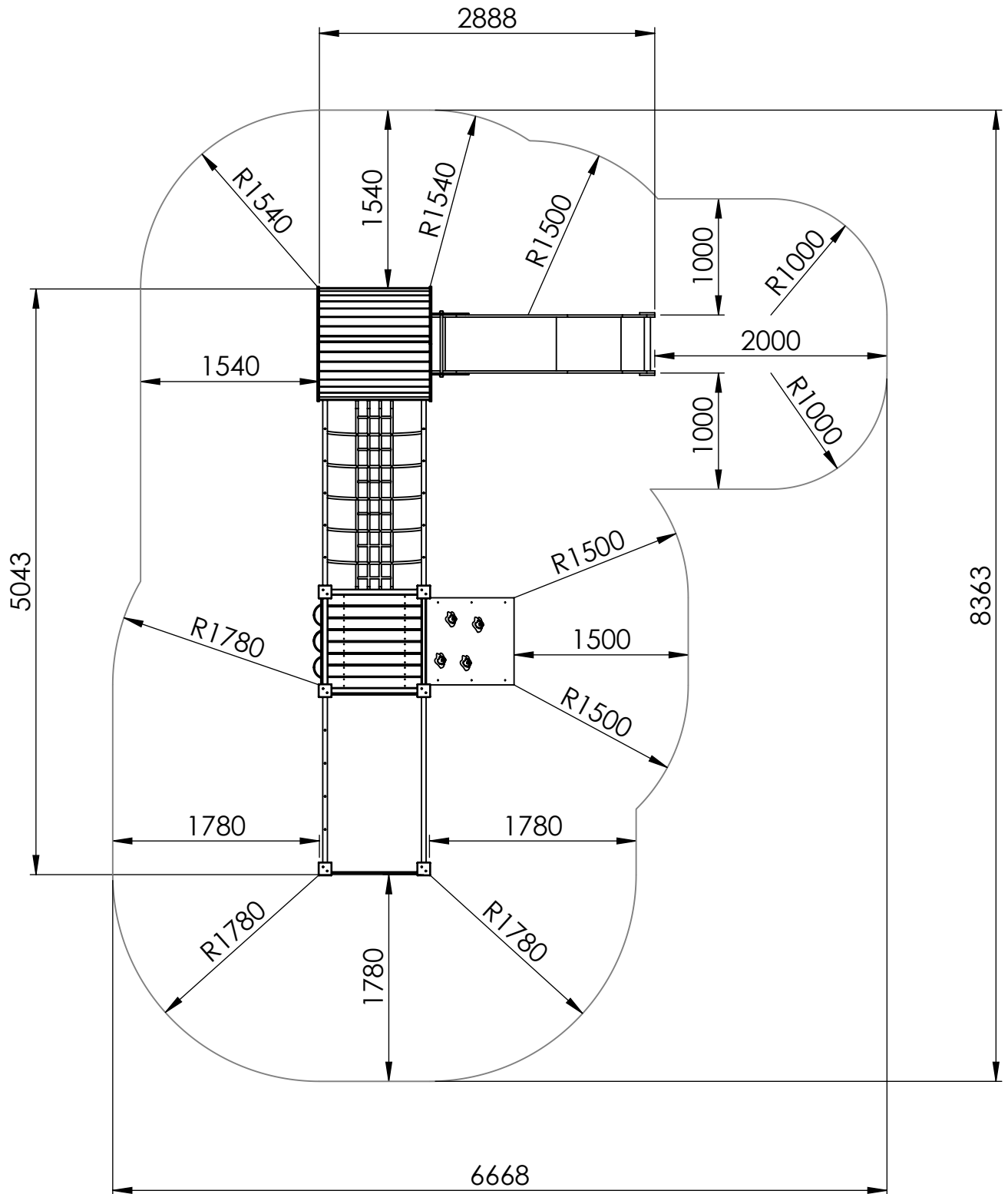
A

B

C

D

E



UNLESS OTHERWISE SPECIFIED:
DIMENSIONS ARE IN MILLIMETERS
WEIGHT ARE IN KILOGRAMM

PART NUMBER / DWG NO.:

LM215-1

	NAME	SIGNATURE	DATE	REVISION
DRAWN	M.Rebase		01.06.2015	
APPV'D				

DESCRIPTION:

Play Centre LINDSAY

F



Tiptaptap OÜ

Tiptaptap OÜ
Veetorni 9,
Jüri alevik, Rae vald,
75301 Harjumaa

MATERIAL:

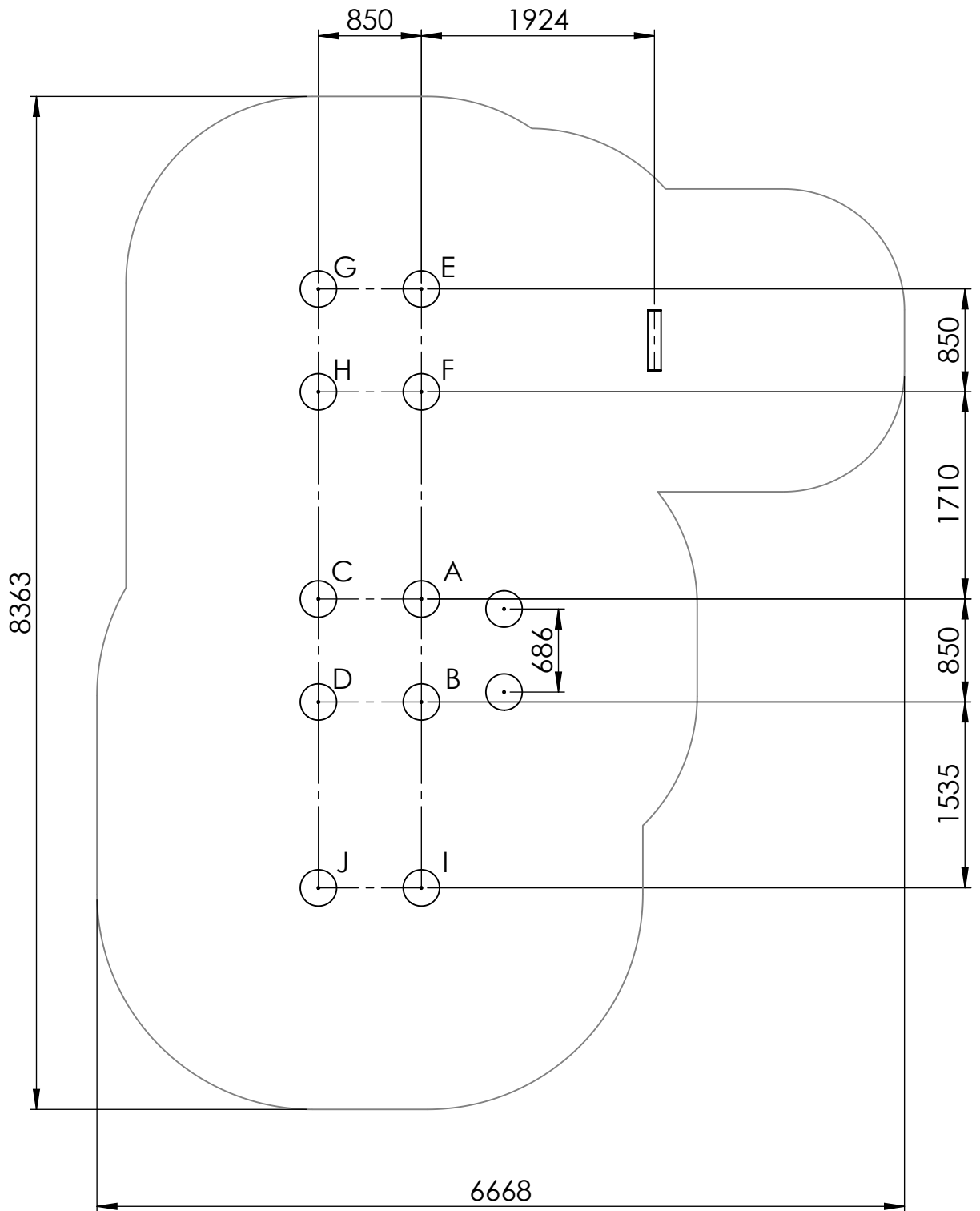
wood, plywood, metal, plastic

A4

WEIGHT:

SCALE: 1:50

SHEET 2 OF 20



UNLESS OTHERWISE SPECIFIED:
DIMENSIONS ARE IN MILLIMETERS
WEIGHT ARE IN KILOGRAMM

PART NUMBER / DWG NO.:

LM215-1

	NAME	SIGNATURE	DATE	REVISION
DRAWN	M.Rebase		01.06.2015	
APPV'D				

DESCRIPTION:

Play Centre LINDSAY



Tiptaptap OÜ

Tiptaptap OÜ
Veetorni 9,
Jüri alevik, Rae vald,
75301 Harjumaa

MATERIAL:

wood, plywood, metal, plastic

A4

WEIGHT:

SCALE: 1:50

SHEET 3 OF 20

A

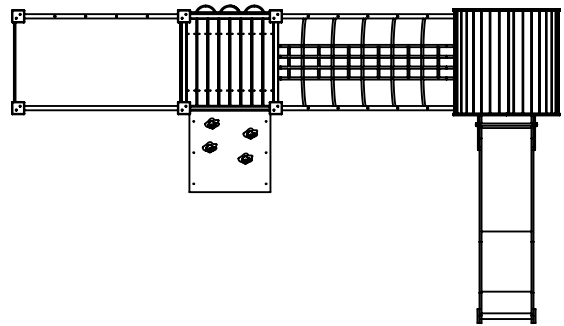
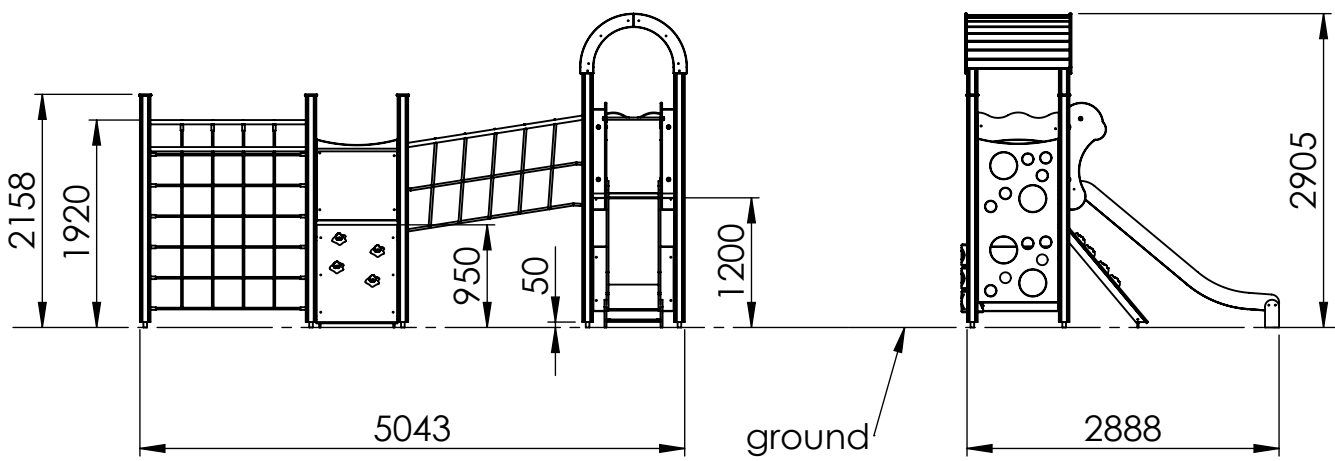
B

C

D

E

F



UNLESS OTHERWISE SPECIFIED:
 DIMENSIONS ARE IN MILLIMETERS
 WEIGHT ARE IN KILOGRAMM

	NAME	SIGNATURE	DATE	REVISION
DRAWN	M.Rebase		01.06.2015	
APPV'D				

PART NUMBER / DWG NO.:
LM215-1

DESCRIPTION:
Play Centre LINDSAY

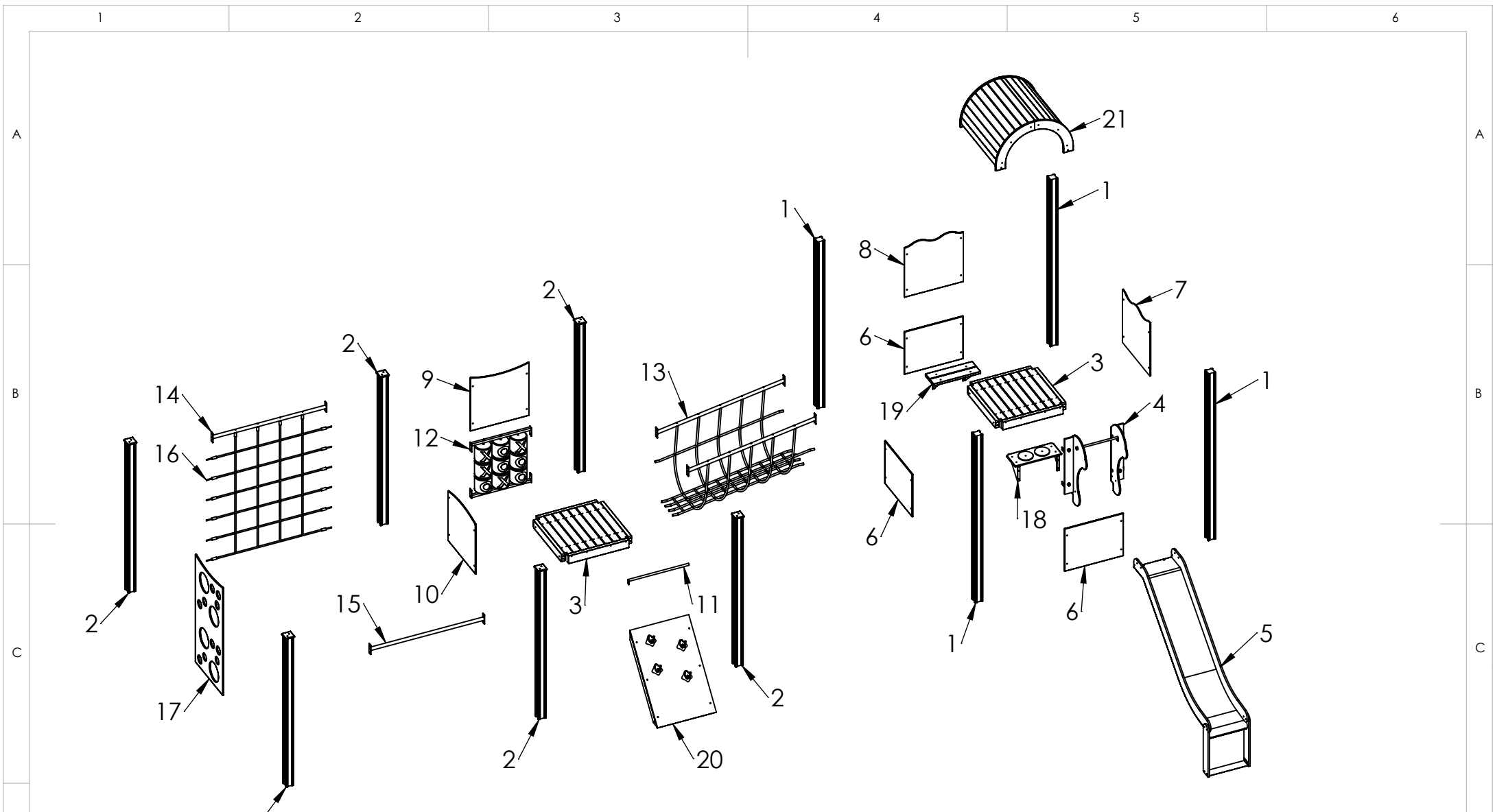


Tiptaptap OÜ
 Veetorni 9,
 Jüri alevik, Rae vald,
 75301 Harjumaa

MATERIAL:
 wood, plywood, metal, plastic

A4

WEIGHT: SCALE: 1:70 SHEET 4 OF 20



UNLESS OTHERWISE SPECIFIED:
 DIMENSIONS ARE IN MILLIMETERS
 WEIGHT ARE IN KILOGRAMM

PART NUMBER / DWG NO.:
LM215-1

	NAME	SIGNATURE	DATE	REVISION
DRAWN	M.Rebase		01.06.2015	
APPV'D				

DESCRIPTION:
Play Centre LINDSAY



Tiptaptap OÜ
 Tiptaptap OÜ
 Veetorni 9,
 Jüri alevik, Rae vald,
 75301 Harjumaa

MATERIAL: wood, plywood, metal, plastic	A4
WEIGHT:	SCALE: 1:60
	SHEET 5 OF 20

ITEM NO.	PART NUMBER	DESCRIPTION	QTY.
1	post 98x98x2350	laminated wood	4
2	post 98x98x2100	laminated wood	6
3	platform	laminated wood, metal	2
4	slide guard block	plywood, metal, plastic	1
5	slide h_1200	stainless steel, PE plastic	1
6	panel 750x600	plywood	3
7	panel 750x750	plywood	1
8	panel 750x750	plywood	1
9	panel 750x750	plywood	1
10	panel 750x750	plywood	1
11	guardrail ϕ 25x770	painted steel	1
12	OXO spinner	PE plastic	1
13	inclined rope bridge	PP covered steel wire	1
14	beam 40x1455 for net	painted steel	1
15	beam 40x1455	painted steel	1
16	climbing net	PP covered steel wire	1
17	climbing wall h_750x1520	plywood	1
18	playcorner-kitchen	plywood, plastic	1
19	playcorner-bench	laminated wood, plastic	1
20	climbing ramp	plywood	1
21	roof	wood, PE plastic	1

UNLESS OTHERWISE SPECIFIED:
DIMENSIONS ARE IN MILLIMETERS
WEIGHT ARE IN KILOGRAMM

PART NUMBER / DWG NO.:

LM215-1

	NAME	SIGNATURE	DATE	REVISION
DRAWN	M.Rebase		01.06.2015	
APPV'D				

DESCRIPTION:

Play Centre LINDSAY



Tiptaptap OÜ

Tiptaptap OÜ
Veetorni 9,
Jüri alevik, Rae vald,
75301 Harjumaa

MATERIAL:

wood, plywood, metal, plastic

A4

WEIGHT:

SCALE: 1:60

SHEET 6 OF 20

A

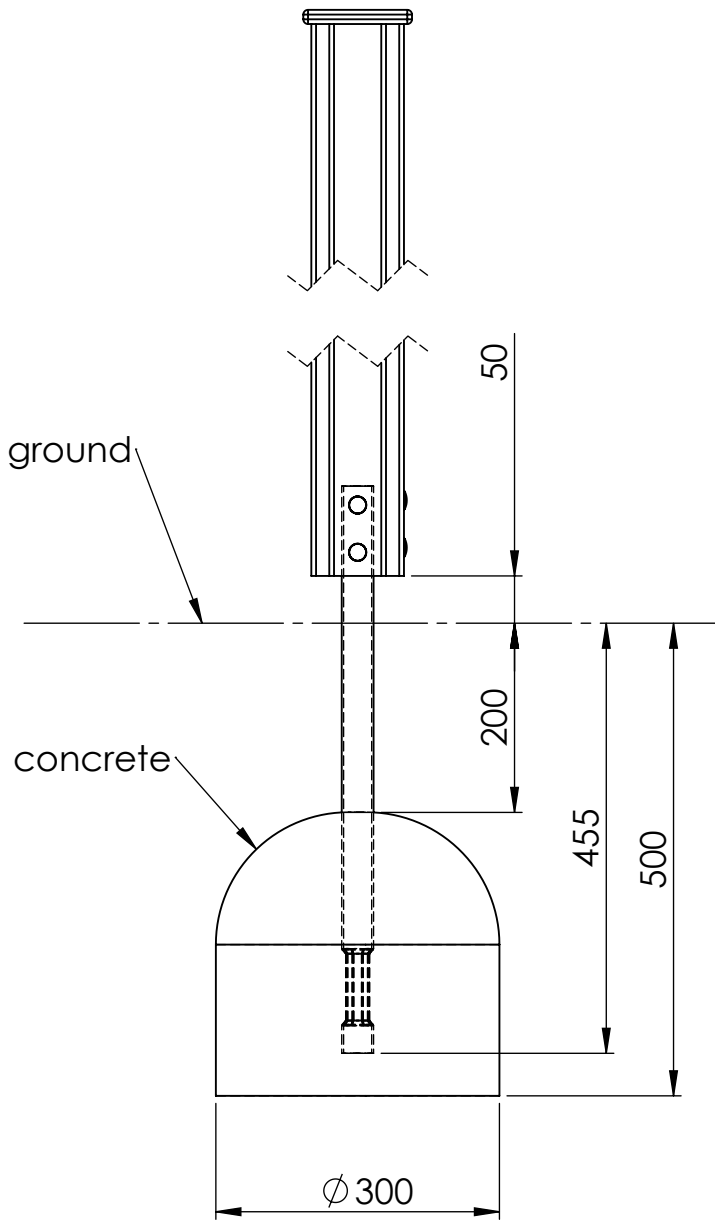
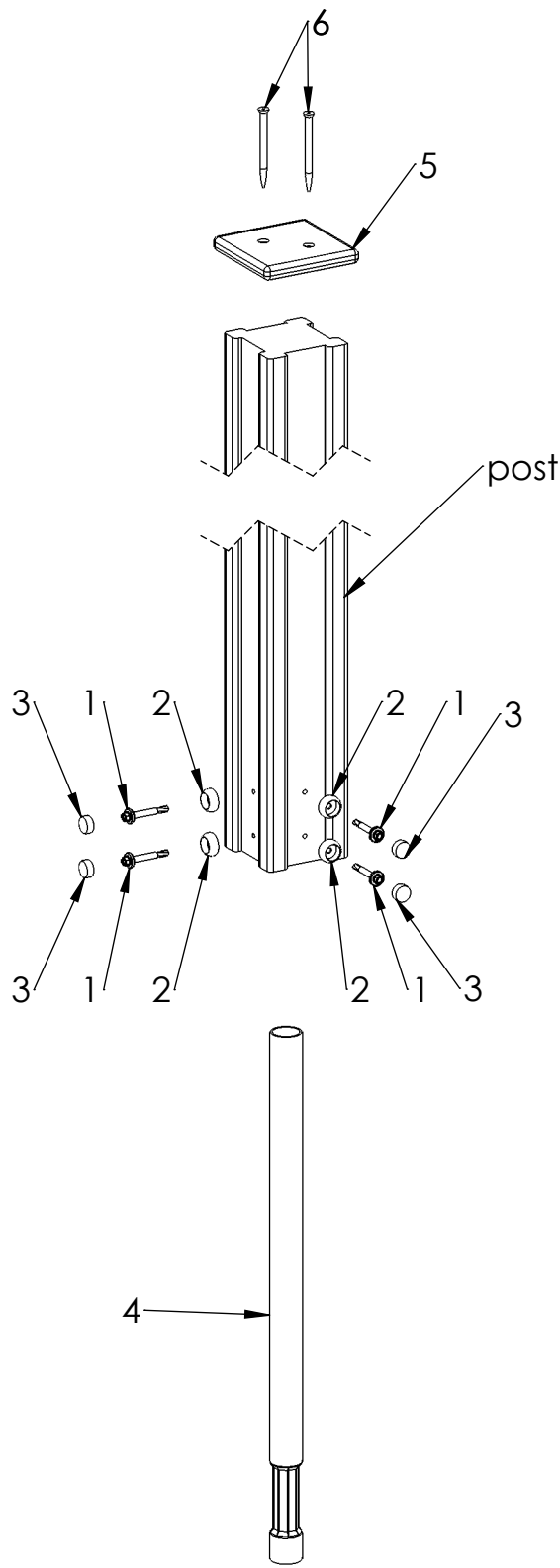
B

C

D

E

F



ITEM NO.	PART NUMBER
1	screw DIN7504K 5,5x50
2	nut cover M6
3	nut cover cap M6
4	metal ground fixing L_600
5	plastic cap 115x115
6	woodscrew 6 x 90

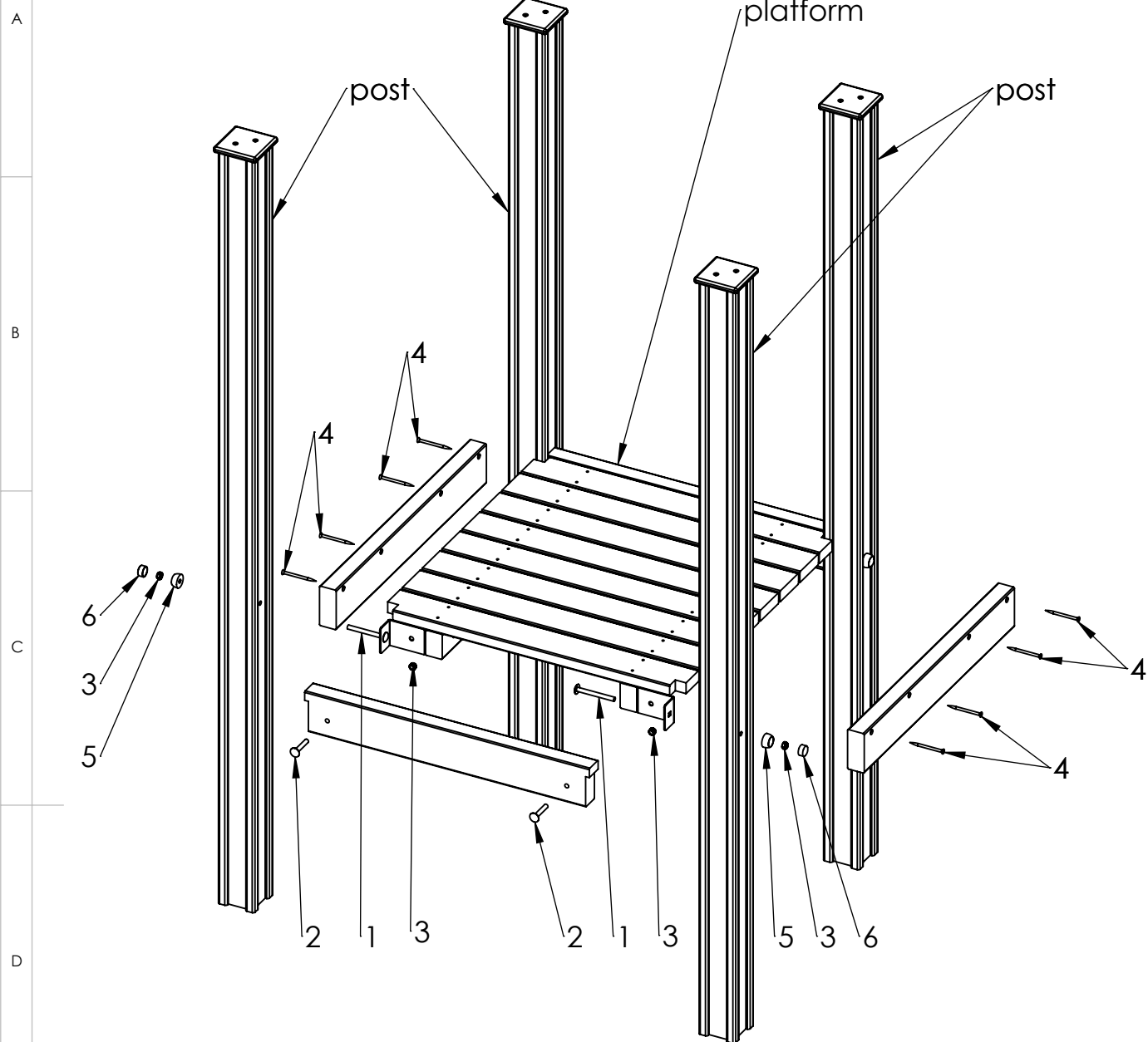
UNLESS OTHERWISE SPECIFIED: DIMENSIONS ARE IN MILLIMETERS WEIGHT ARE IN KILOGRAMM				
	NAME	SIGNATURE	DATE	REVISION
DRAWN	M.Rebase		01.06.2015	
APPV'D				

PART NUMBER / DWG NO.:	LM215-1
DESCRIPTION:	Play Centre LINDSAY connecting metal ground fixing to post



Tiptaptap OÜ
 Veetorni 9,
 Jüri alevik, Rae vald,
 75301 Harjumaa

MATERIAL:	wood, plywood, metal, plastic	A4
WEIGHT:	SCALE: 1:8	SHEET 7 OF 20



E

ITEM NO.	PART NUMBER
1	bolt DIN603 M10x100
2	bolt DIN603 M10x60
3	nut DIN985 M10
4	woodscrew 6 x 90
5	nut cover M10
6	nut cover cap M10

F

UNLESS OTHERWISE SPECIFIED:
DIMENSIONS ARE IN MILLIMETERS
WEIGHT ARE IN KILOGRAMM

	NAME	SIGNATURE	DATE	REVISION
DRAWN	M.Rebase		01.06.2015	
APPV'D				

PART NUMBER / DWG NO.:

LM215-1

DESCRIPTION:

Play Centre LINDSAY
connecting platform to post

MATERIAL:

wood, plywood, metal, plastic

A4

WEIGHT:

SCALE: 1:15

SHEET 8 OF 20



Tiptaptap OÜ

Tiptaptap OÜ
Veetorni 9,
Jüri alevik, Rae vald,
75301 Harjumaa

A

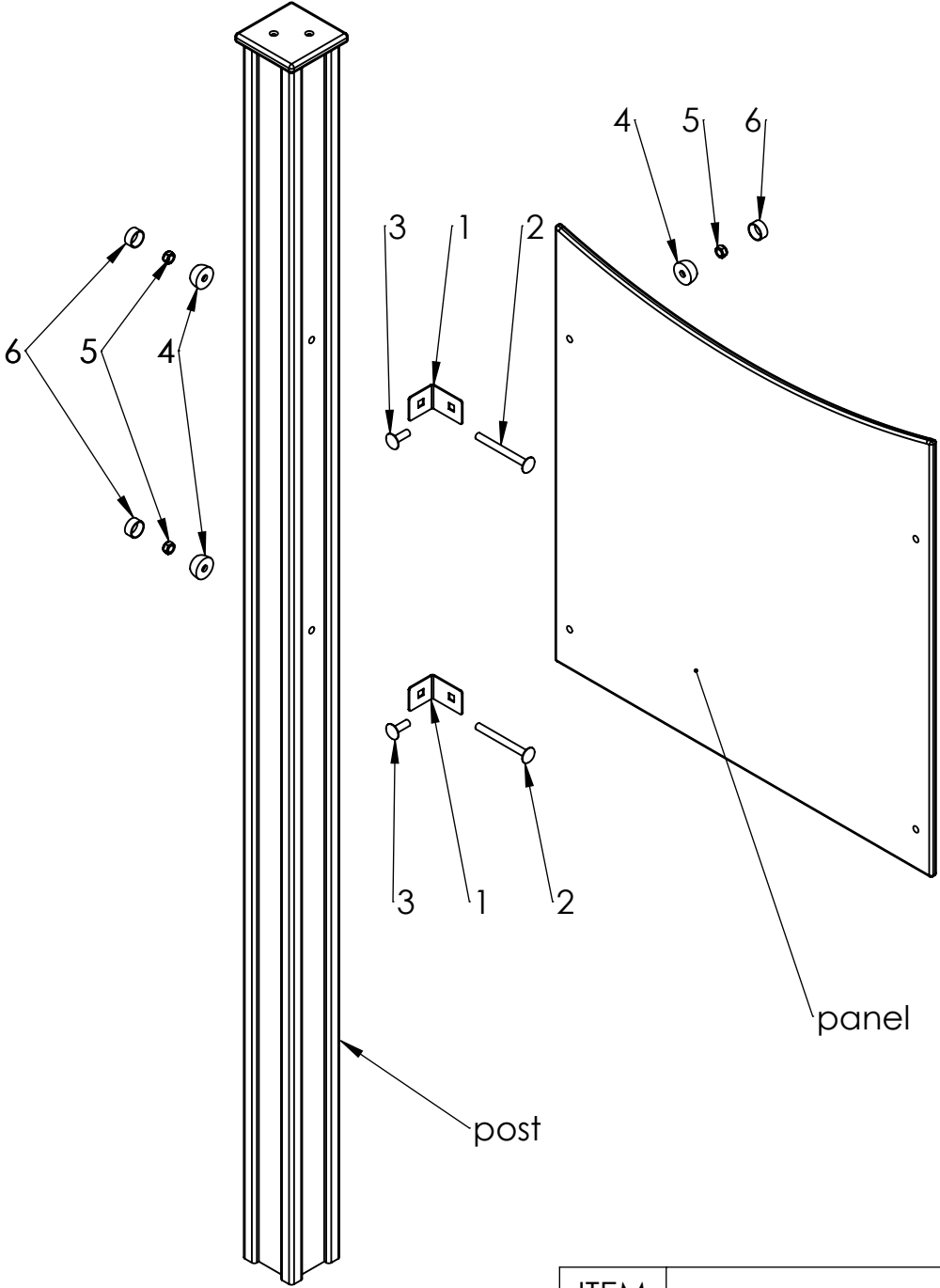
B

C

D

E

F



ITEM NO.	PART NUMBER
1	corner 48x60
2	bolt DIN603 M10x100
3	bolt DIN603 M10x30
4	nut cover M10
5	nut DIN985 M10
6	nut cover cap M10

UNLESS OTHERWISE SPECIFIED: DIMENSIONS ARE IN MILLIMETERS WEIGHT ARE IN KILOGRAMM				
	NAME	SIGNATURE	DATE	REVISION
DRAWN	M.Rebase		01.06.2015	
APPV'D				

PART NUMBER / DWG NO.:
LM215-1

DESCRIPTION:
**Play Centre LINDSAY
connecting panel to post**

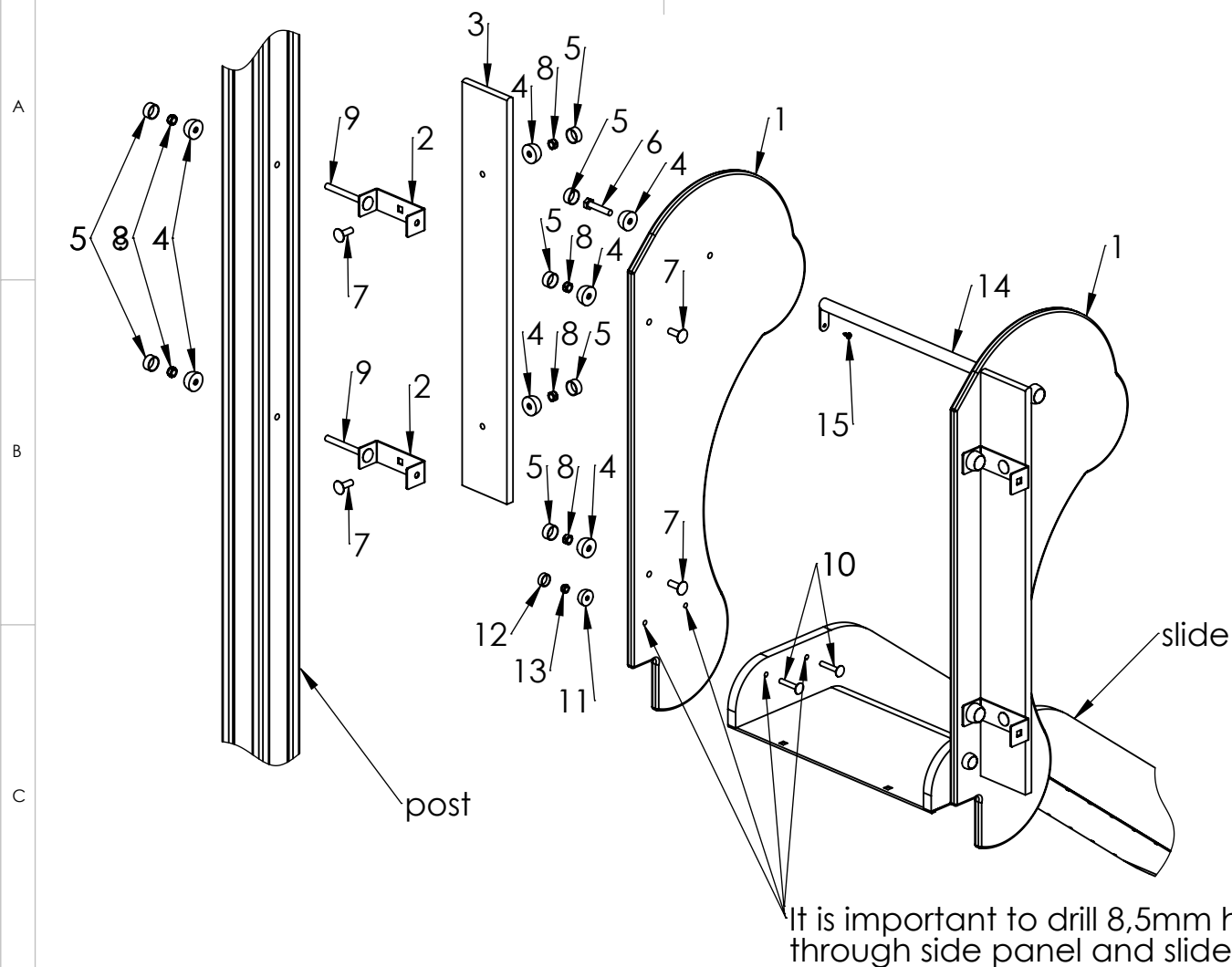


Tiptap OÜ

Tiptap OÜ
Veetorni 9,
Jüri alevik, Rae vald,
75301 Harjumaa

MATERIAL: wood, plywood, metal, plastic	A4
--	----

WEIGHT:	SCALE: 1:10	SHEET 9 OF 20
---------	-------------	---------------



It is important to drill 8,5mm holes through side panel and slide.

ITEM NO.	PART NUMBER
1	slide side panel
2	slide side panel fixing 40x120
3	side panel 110x780
4	nut cover M10
5	nut cover cap M10
6	bolt DIN931 M10x50
7	bolt DIN603 M10x30
8	nut DIN985 M10
9	bolt DIN603 M10x100
10	bolt DIN603 M8x45
11	nut cover M8
12	nut cover cap M8
13	nut DIN985 M8
14	slide guardrail
15	wood screw 4,8x13

UNLESS OTHERWISE SPECIFIED:
DIMENSIONS ARE IN MILLIMETERS
WEIGHT ARE IN KILOGRAMM

PART NUMBER / DWG NO.:

LM215-1

	NAME	SIGNATURE	DATE	REVISION
DRAWN	M.Rebase		01.06.2015	
APPV'D				

DESCRIPTION:

Play Centre LINDSAY
connecting slide guard block to post

MATERIAL:

wood, plywood, metal, plastic

A4

WEIGHT:

SCALE: 1:12

SHEET 10 OF 20



Tiptiptap OÜ

Tiptiptap OÜ
Veetorni 9,
Jüri alevik, Rae vald,
75301 Harjumaa

A

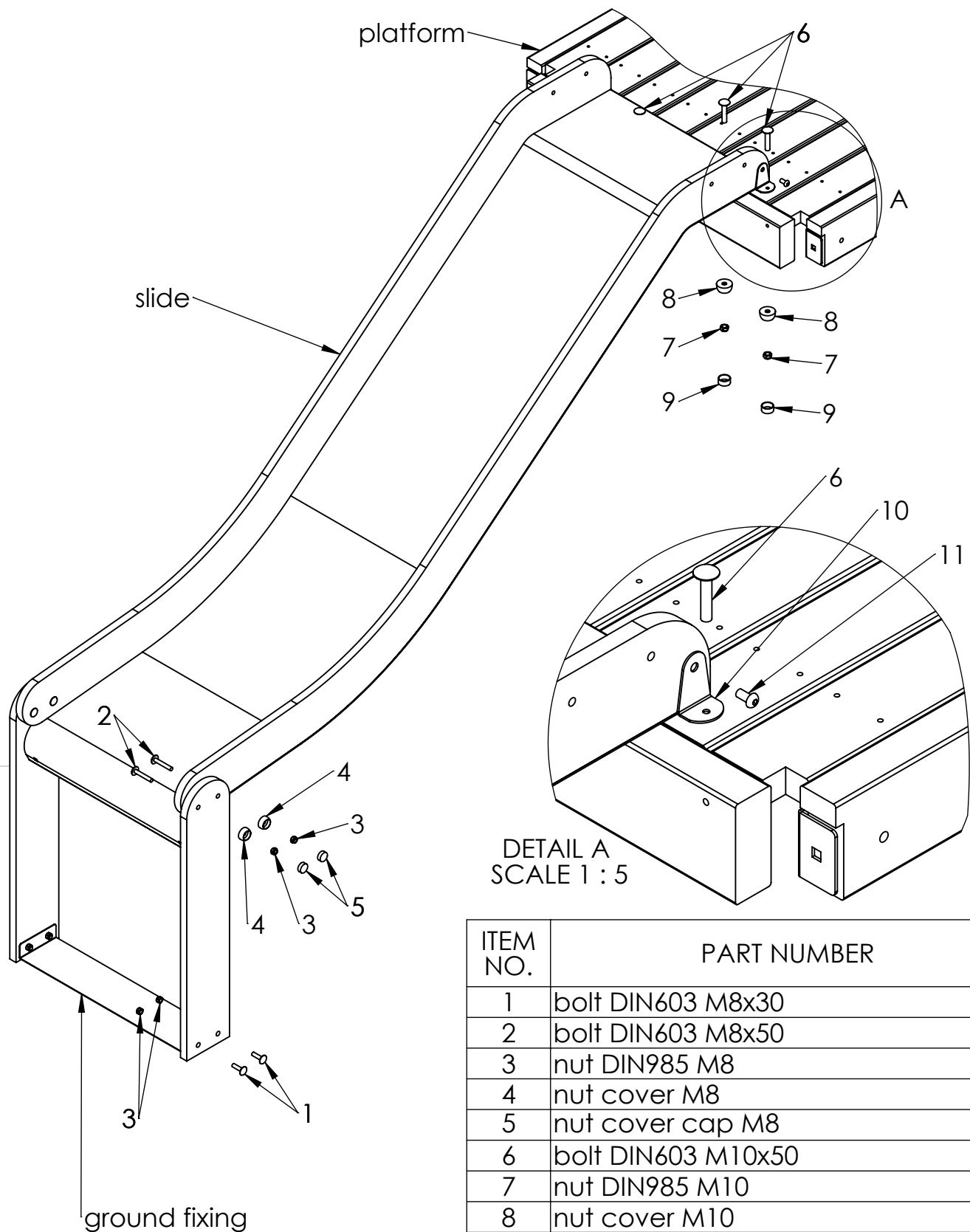
B

C

D

E

F



ITEM NO.	PART NUMBER
1	bolt DIN603 M8x30
2	bolt DIN603 M8x50
3	nut DIN985 M8
4	nut cover M8
5	nut cover cap M8
6	bolt DIN603 M10x50
7	nut DIN985 M10
8	nut cover M10
9	nut cover cap M10
10	corner 58x30
11	metal screw DIN 7380 M8x16

UNLESS OTHERWISE SPECIFIED:
DIMENSIONS ARE IN MILLIMETERS
WEIGHT ARE IN KILOGRAMM

	NAME	SIGNATURE	DATE	REVISION
DRAWN	M.Rebase		01.06.2015	
APPV'D				

PART NUMBER / DWG NO.:

LM215-1

DESCRIPTION:

Play Centre LINDSAY
connecting slide to platform

MATERIAL:

wood, plywood, metal, plastic

A4

WEIGHT:

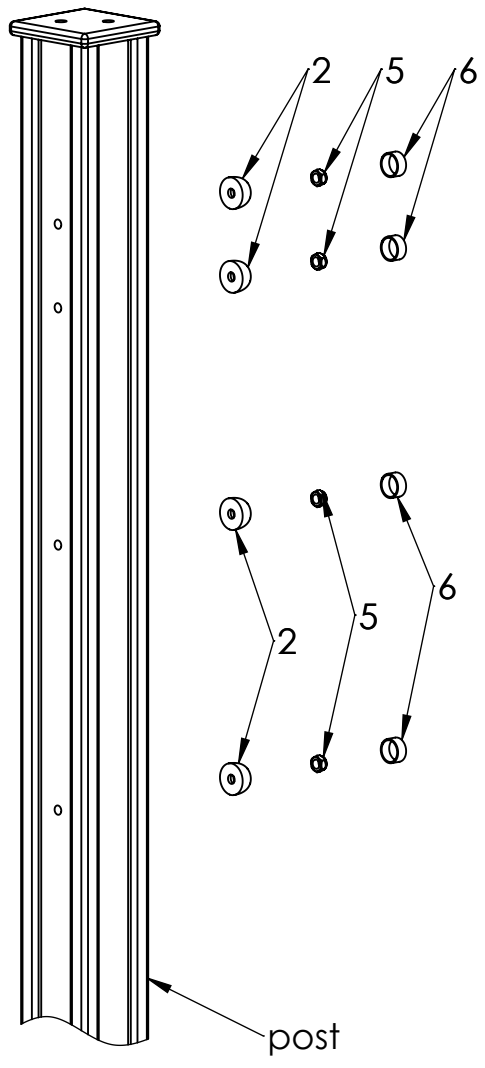
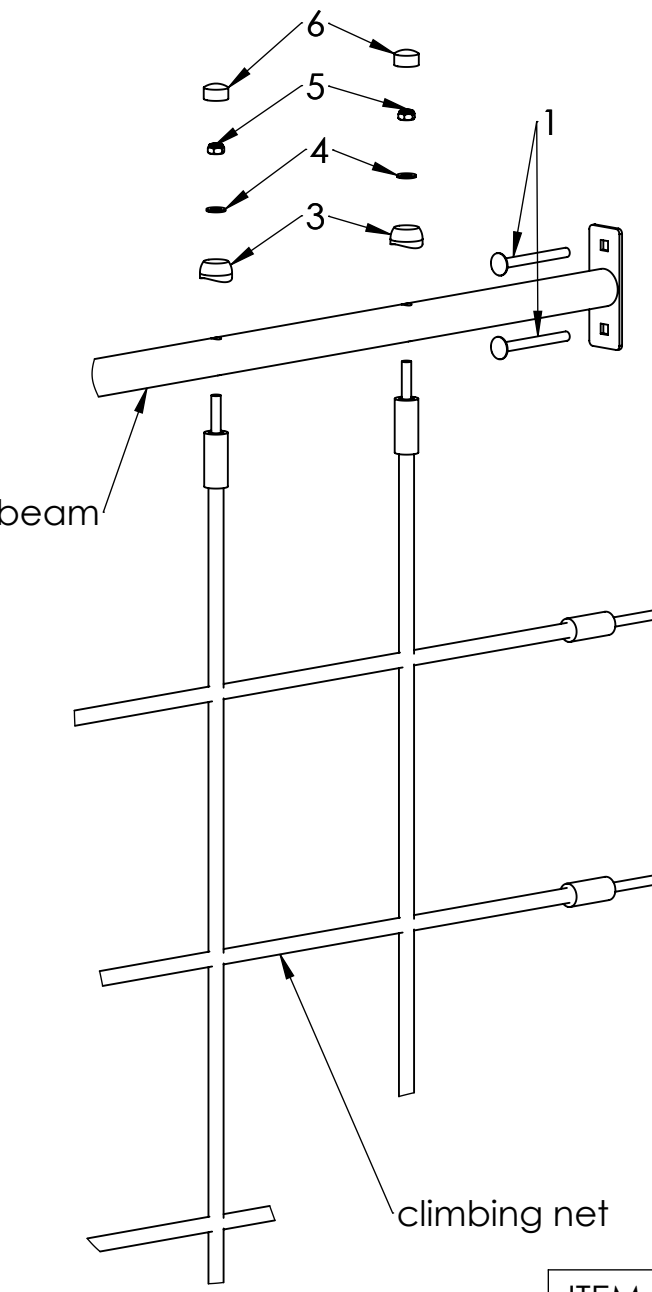
SCALE: 1:12

SHEET 11 OF 20



Tiptap OÜ

Tiptap OÜ
Veetorni 9,
Jüri alevik, Rae vald,
75301 Harjumaa



ITEM NO.	PART NUMBER
1	bolt DIN603 M10x100
2	nut cover M10
3	nut cover for beam M10
4	washer M10
5	nut DIN985 M10
6	nut cover cap M10

UNLESS OTHERWISE SPECIFIED: DIMENSIONS ARE IN MILLIMETERS WEIGHT ARE IN KILOGRAMM				
	NAME	SIGNATURE	DATE	REVISION
DRAWN	M.Rebase		01.06.2015	
APPV'D				

PART NUMBER / DWG NO.:	LM215-1
DESCRIPTION:	Play Centre LINDSAY connecting beam and climbing net to post



Tiptap OÜ
Veetorni 9,
Jüri alevik, Rae vald,
75301 Harjumaa

MATERIAL:	wood, plywood, metal, plastic	A4
WEIGHT:	SCALE: 1:8	SHEET 12 OF 20

A

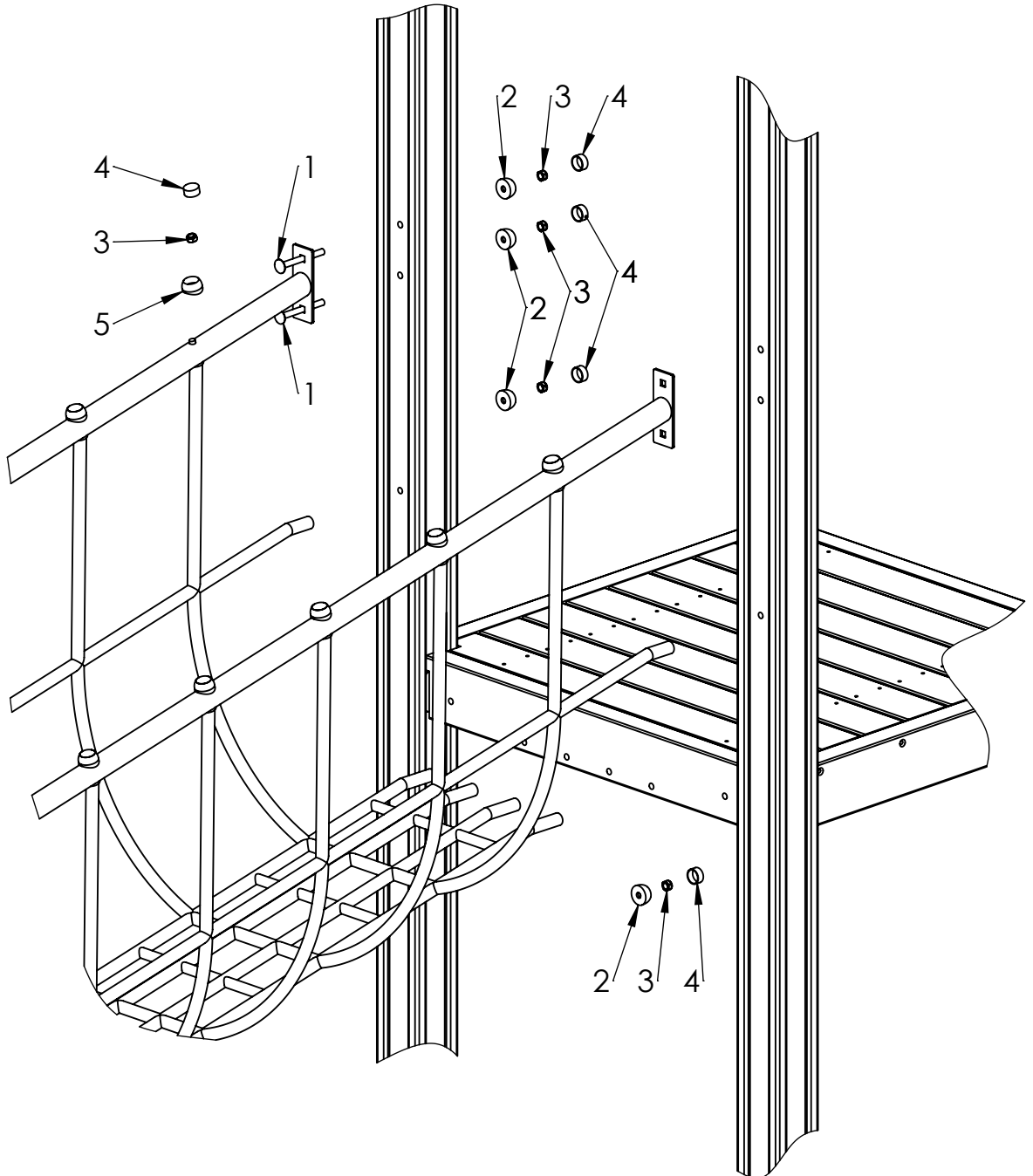
B

C

D

E

F



ITEM NO.	PART NUMBER
1	bolt DIN603 M10x100
2	nut cover M10
3	nut DIN985 M10
4	nut cover cap M10
5	nut cover for beam M10

UNLESS OTHERWISE SPECIFIED:
 DIMENSIONS ARE IN MILLIMETERS
 WEIGHT ARE IN KILOGRAMM

	NAME	SIGNATURE	DATE	REVISION
DRAWN	M.Rebase		01.06.2015	
APPV'D				

PART NUMBER / DWG NO.:
LM215-1

DESCRIPTION:
Play Centre LINDSAY
connecting bridge to post and platform



Tiptaptap OÜ

Tiptaptap OÜ
 Veetorni 9,
 Jüri alevik, Rae vald,
 75301 Harjumaa

MATERIAL:
 wood, plywood, metal, plastic

A4

WEIGHT: SCALE: 1:11 SHEET 13 OF 20

A

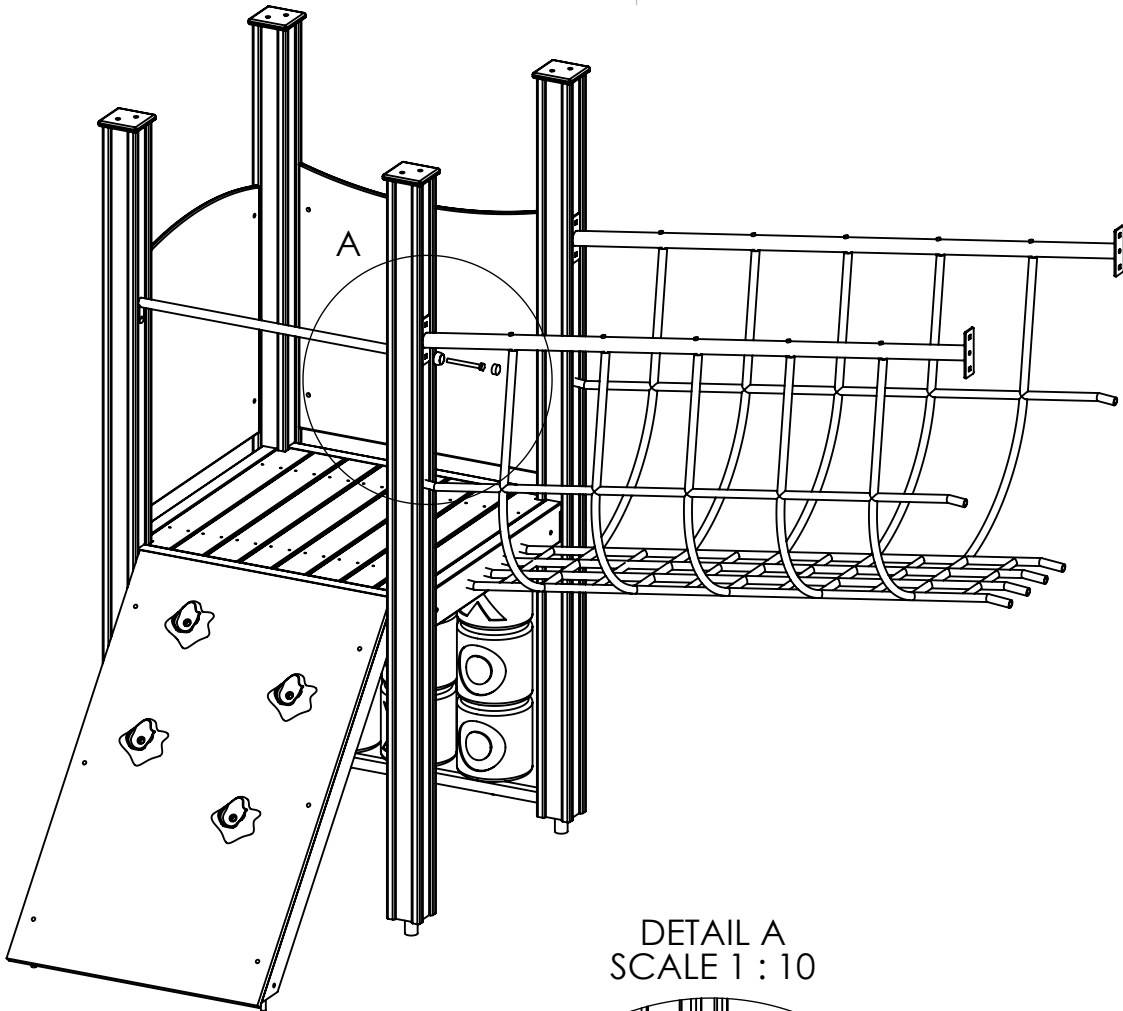
B

C

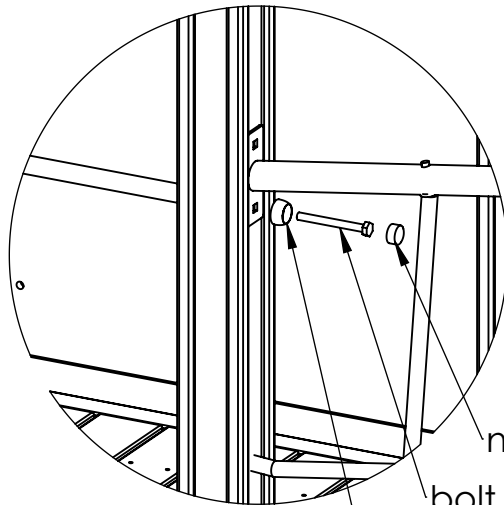
D

E

F



DETAIL A
SCALE 1 : 10



nut cover cap M10
bolt DIN931 M10x100
nut cover M10

UNLESS OTHERWISE SPECIFIED:
DIMENSIONS ARE IN MILLIMETERS
WEIGHT ARE IN KILOGRAMM

PART NUMBER / DWG NO.:

LM215-1

	NAME	SIGNATURE	DATE	REVISION
DRAWN	M.Rebase		01.06.2015	
APPV'D				

DESCRIPTION:

Play Centre LINDSAY



Tiptaptap OÜ

Tiptaptap OÜ
Veetorni 9,
Jüri alevik, Rae vald,
75301 Harjumaa

MATERIAL:

wood, plywood, metal, plastic

A4

WEIGHT:

SCALE: 1:20

SHEET 14 OF 20

A

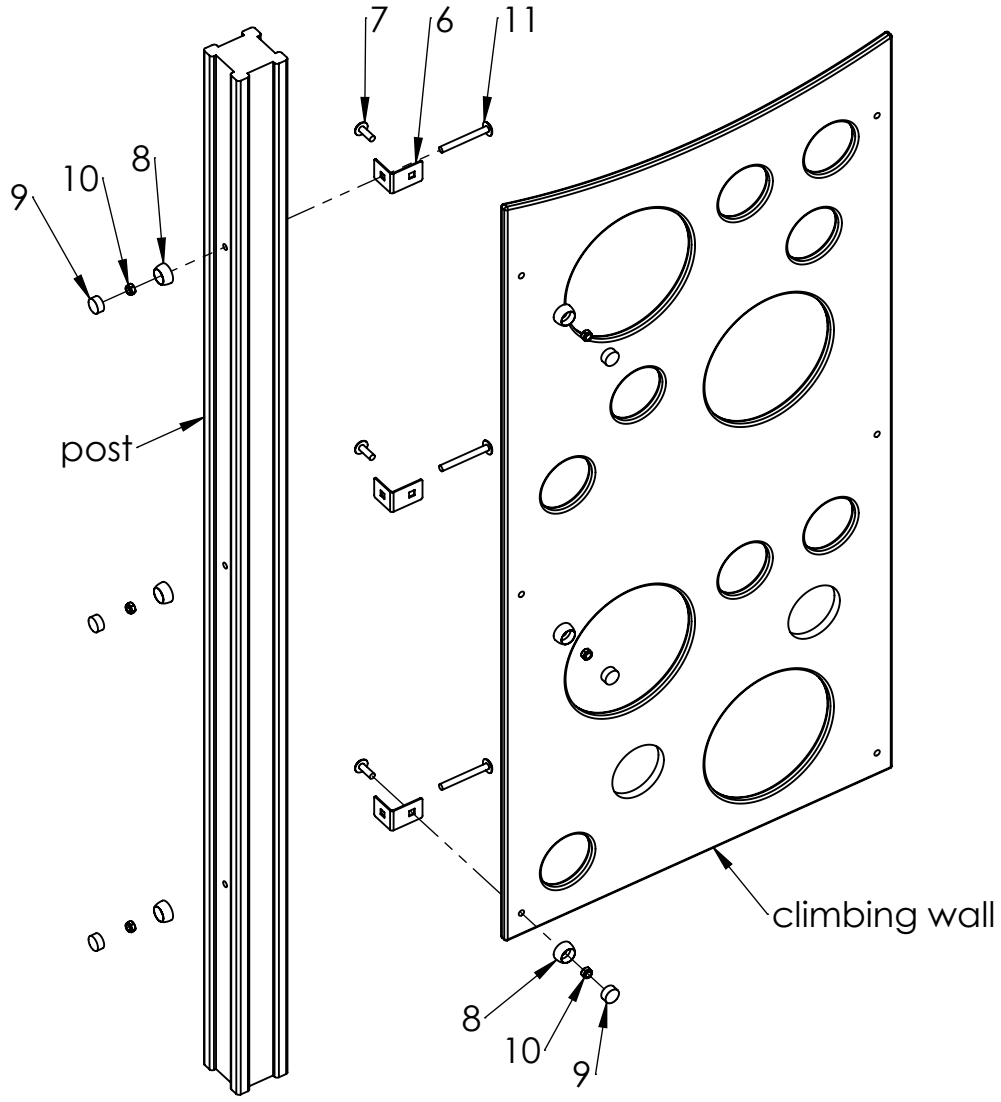
B

C

D

E

F



ITEM NO.	PART NUMBER
1	corner 48x60
2	bolt DIN603 M10x30
3	bolt DIN603 M10x90
4	nut cover M10
5	nut DIN985 M10
6	nut cover cap M10

UNLESS OTHERWISE SPECIFIED:
DIMENSIONS ARE IN MILLIMETERS
WEIGHT ARE IN KILOGRAMM

NAME	SIGNATURE	DATE	REVISION
DRAWN M.Rebase		01.06.2015	
APPV'D			

PART NUMBER / DWG NO.:
LM215-1

DESCRIPTION:
**Play Centre LINDSAY
connecting climbing wall to post**



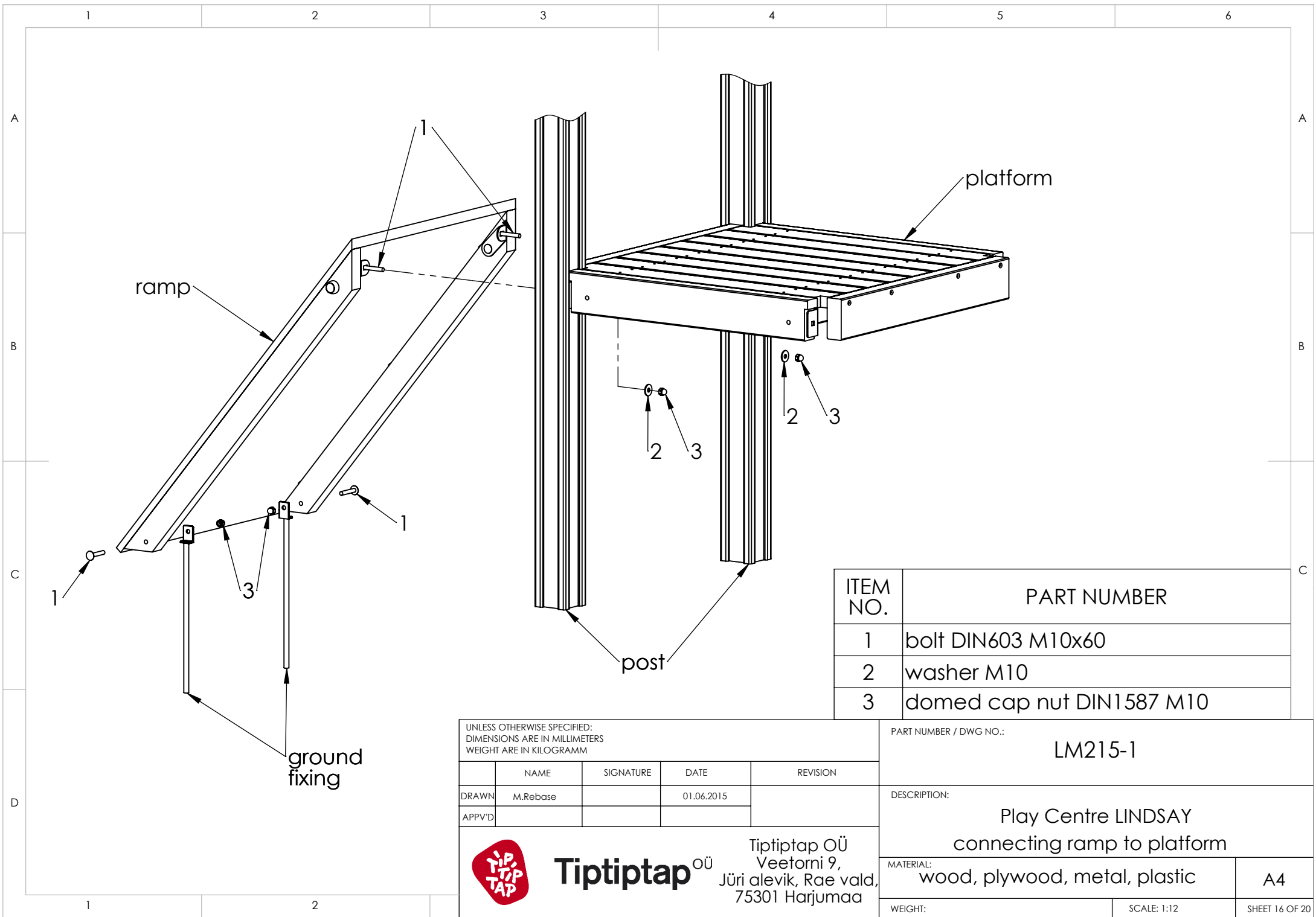
Tiptaptap OÜ

Tiptaptap OÜ
Veetorni 9,
Jüri alevik, Rae vald,
75301 Harjumaa

MATERIAL:
wood, plywood, metal, plastic

A4

WEIGHT: SCALE: 1:12 SHEET 15 OF 20



ITEM NO.	PART NUMBER
1	bolt DIN603 M10x60
2	washer M10
3	domed cap nut DIN1587 M10

UNLESS OTHERWISE SPECIFIED:
 DIMENSIONS ARE IN MILLIMETERS
 WEIGHT ARE IN KILOGRAMM

	NAME	SIGNATURE	DATE	REVISION
DRAWN	M.Rebase		01.06.2015	
APPV'D				



Tiptaptap OÜ
 Tiptaptap OÜ
 Veetorni 9,
 Jüri alevik, Rae vald,
 75301 Harjumaa

PART NUMBER / DWG NO.:
LM215-1

DESCRIPTION:
**Play Centre LINDSAY
 connecting ramp to platform**

MATERIAL: wood, plywood, metal, plastic	A4
WEIGHT:	SCALE: 1:12
	SHEET 16 OF 20

A

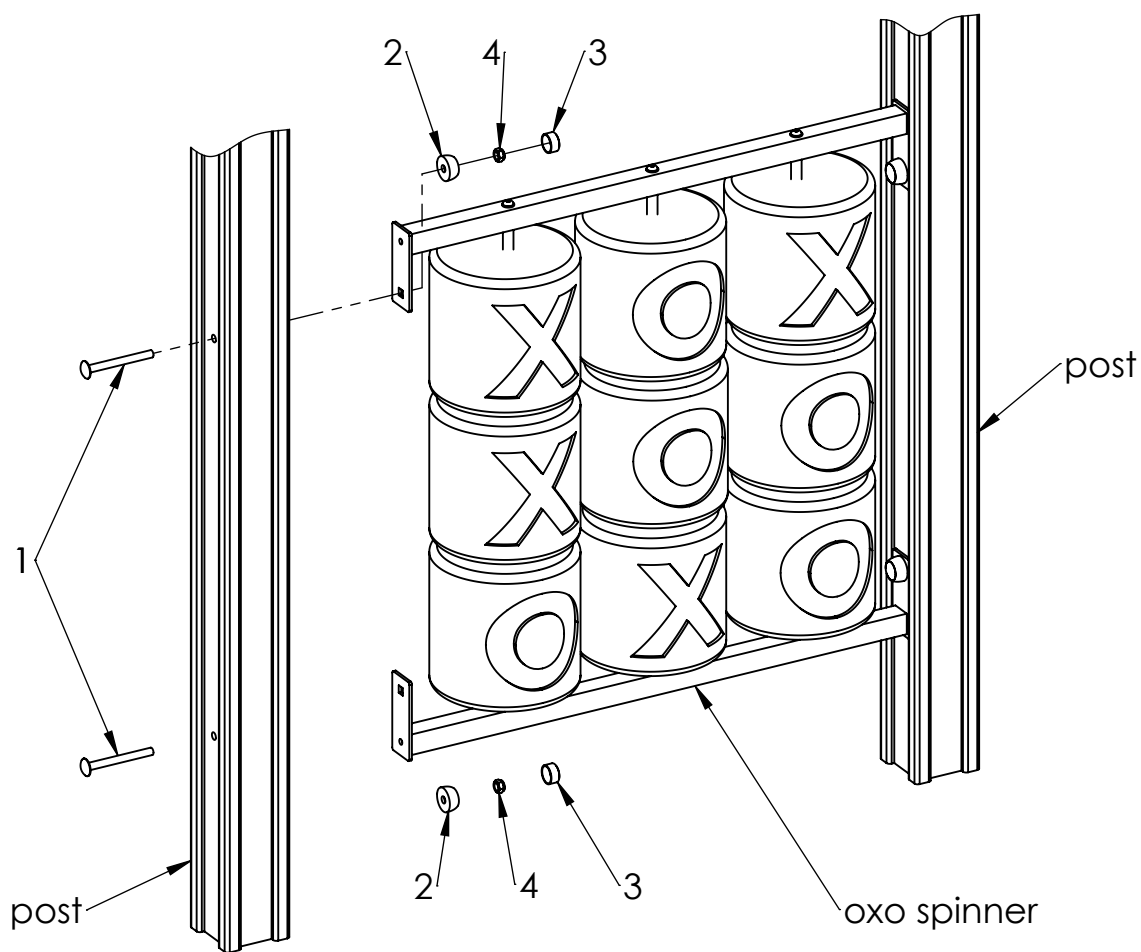
B

C

D

E

F



ITEM NO.	PART NUMBER
1	bolt DIN603 M10x100
2	nut cover M10
3	nut cover cap M10
4	nut DIN985 M10

UNLESS OTHERWISE SPECIFIED:
DIMENSIONS ARE IN MILLIMETERS
WEIGHT ARE IN KILOGRAMM

PART NUMBER / DWG NO.:

LM215-1

	NAME	SIGNATURE	DATE	REVISION
DRAWN	M.Rebase		01.06.2015	
APPV'D				

DESCRIPTION:

Play Centre LINDSAY
connecting oxo spinner to post

MATERIAL:

wood, plywood, metal, plastic

A4

WEIGHT:

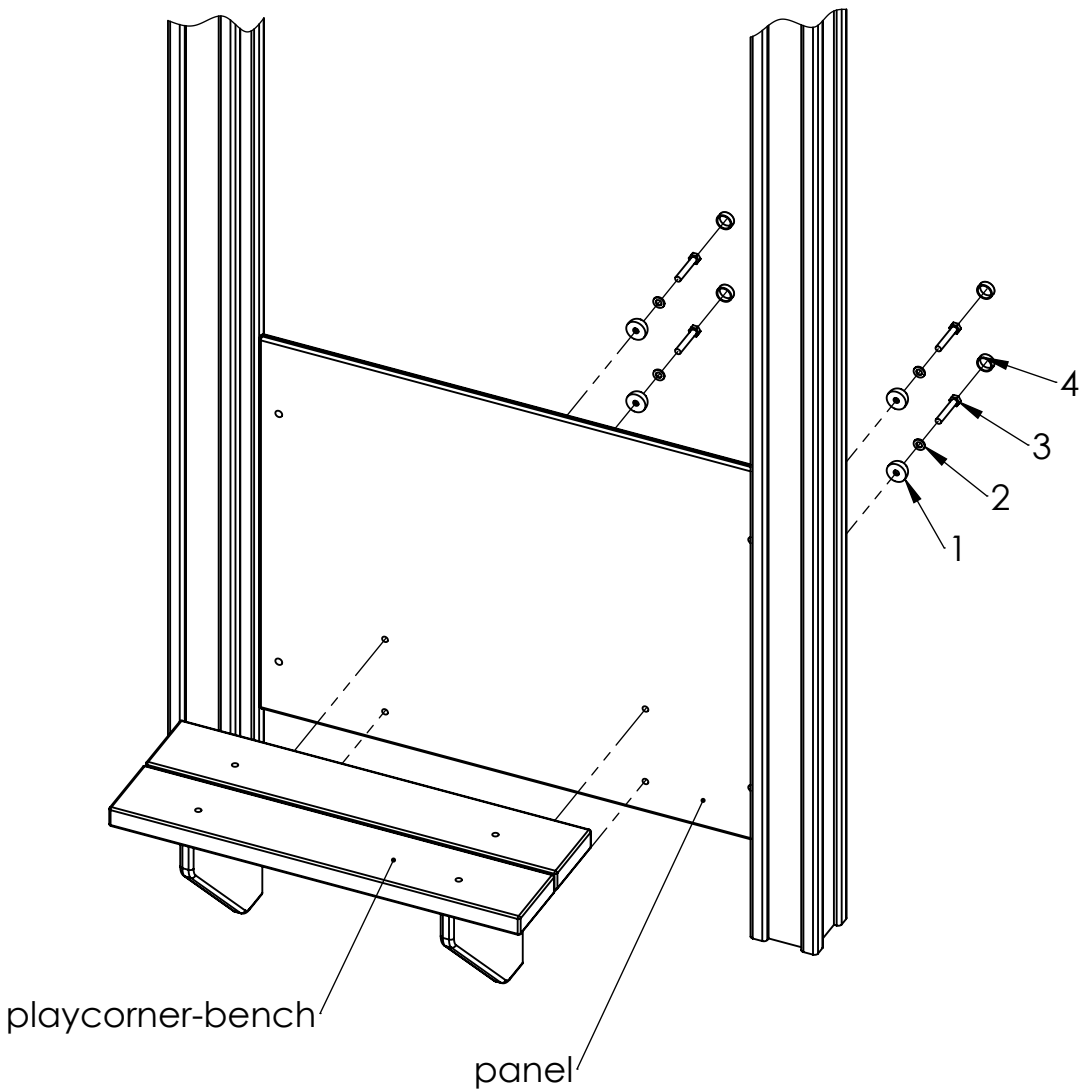
SCALE: 1:10

SHEET 17 OF 20



Tiptaptap OÜ

Tiptaptap OÜ
Veetorni 9,
Jüri alevik, Rae vald,
75301 Harjumaa



ITEM NO.	PART NUMBER
1	nut cover M8
2	washer M8
3	bolt DIN933 M8x50
4	nut cover cap M8

UNLESS OTHERWISE SPECIFIED: DIMENSIONS ARE IN MILLIMETERS WEIGHT ARE IN KILOGRAMM				
	NAME	SIGNATURE	DATE	REVISION
DRAWN	M.Rebase		01.06.2015	
APPV'D				

PART NUMBER / DWG NO.:	LM215-1
DESCRIPTION:	Play Centre LINDSAY connecting playcorner-bench to panel



Tiptaptap OÜ
Veetorni 9,
Jüri alevik, Rae vald,
75301 Harjumaa

MATERIAL:	wood, plywood, metal, plastic	A4
WEIGHT:	SCALE: 1:10	SHEET 18 OF 20

A

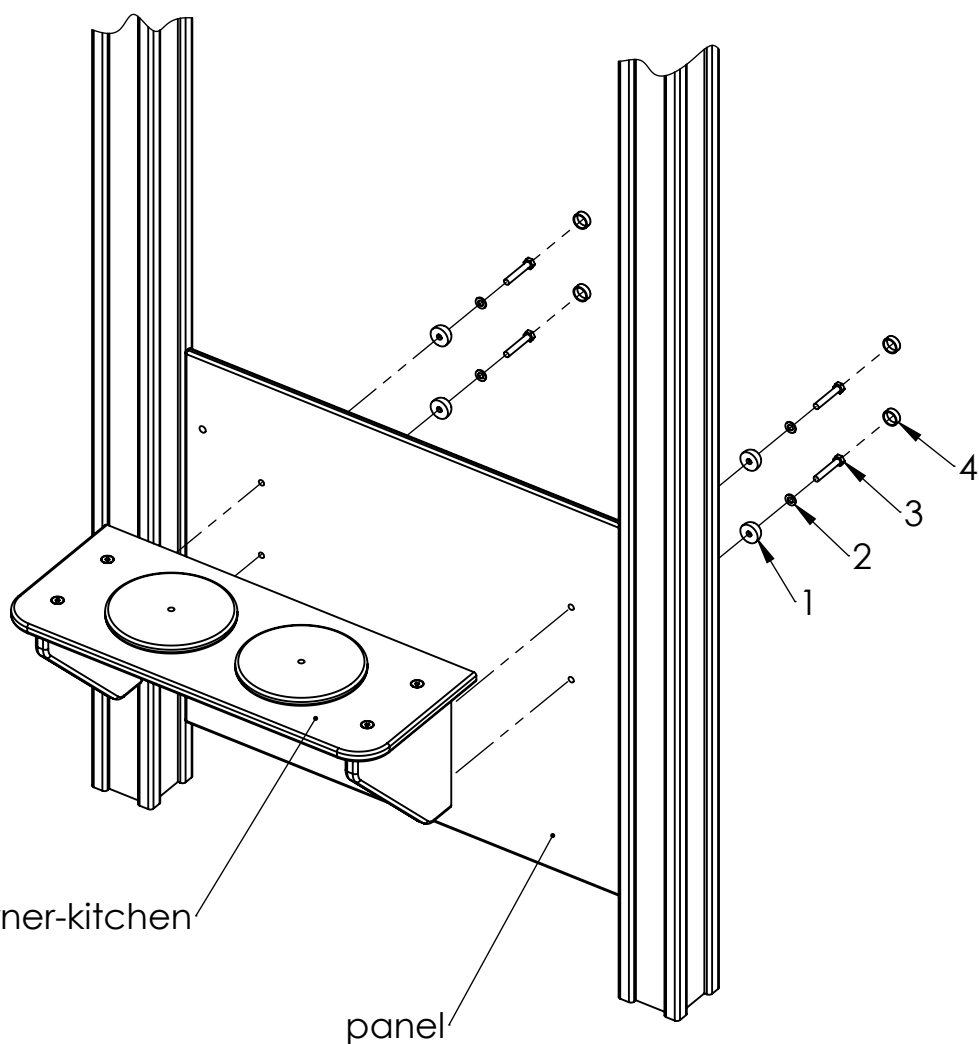
B

C

D

E

F



playcorner-kitchen

panel

ITEM NO.	PART NUMBER
1	nut cover M8
2	washer M8
3	bolt DIN933 M8x50
4	nut cover cap M8

UNLESS OTHERWISE SPECIFIED:
DIMENSIONS ARE IN MILLIMETERS
WEIGHT ARE IN KILOGRAMM

PART NUMBER / DWG NO.:

LM215-1

	NAME	SIGNATURE	DATE	REVISION
DRAWN	M.Rebase		01.06.2015	
APPV'D				

DESCRIPTION:

Play Centre LINDSAY

connecting playcorner-kitchen to panel

MATERIAL:

wood, plywood, metal, plastic

A4

WEIGHT:

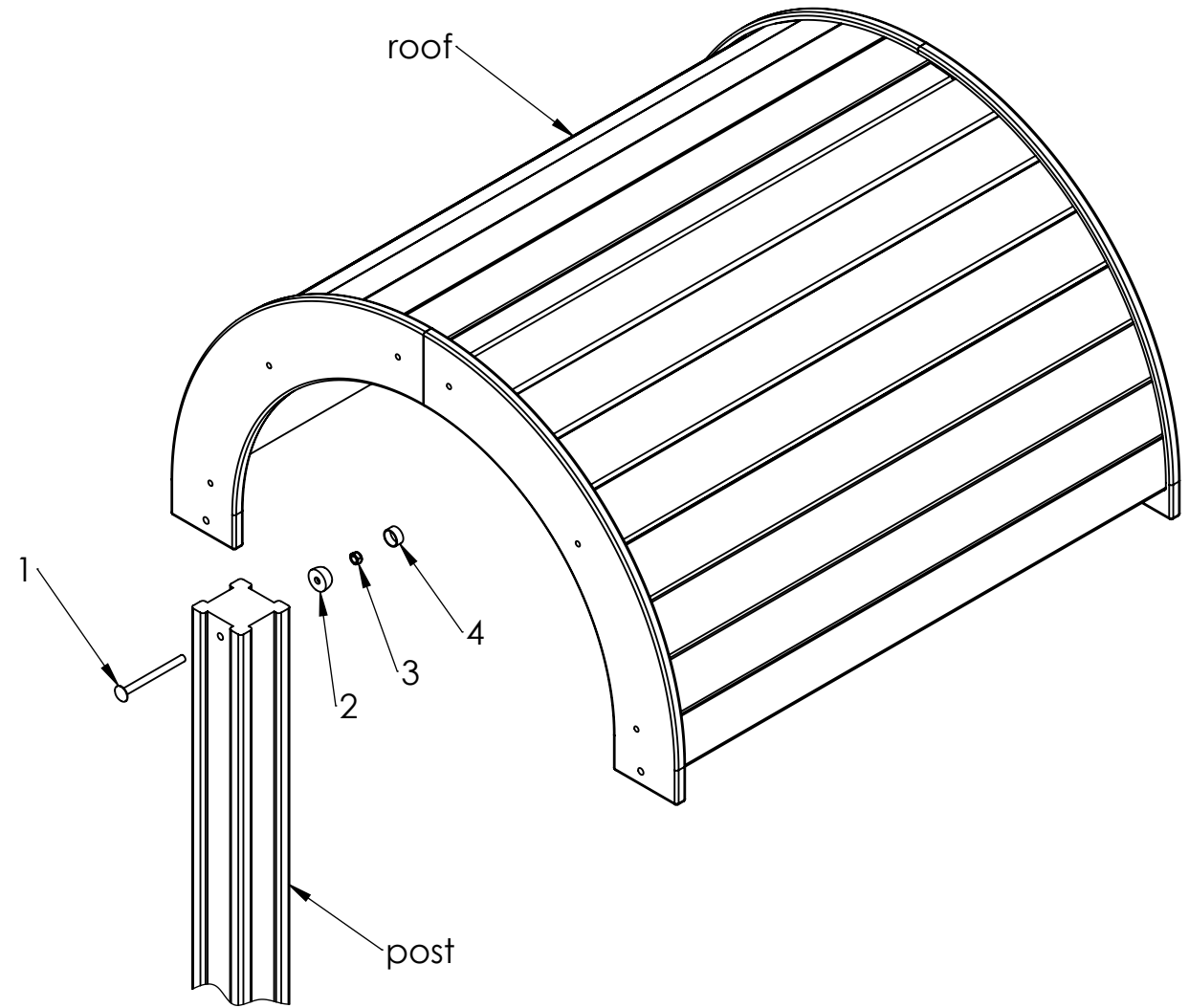
SCALE: 1:10

SHEET 19 OF 20



Tiptaptap OÜ

Tiptaptap OÜ
Veetorni 9,
Jüri alevik, Rae vald,
75301 Harjumaa



ITEM NO.	PART NUMBER
1	bolt DIN603 M10x120
2	nut cover M10
3	nut DIN985 M10
4	nut cover cap M10

UNLESS OTHERWISE SPECIFIED:
DIMENSIONS ARE IN MILLIMETERS
WEIGHT ARE IN KILOGRAMM

PART NUMBER / DWG NO.:

LM215-1

	NAME	SIGNATURE	DATE	REVISION
DRAWN	M.Rebase		01.06.2015	
APPV'D				

DESCRIPTION:

Play Centre LINDSAY
connecting roof to post



Tiptaptap OÜ

Tiptaptap OÜ
Veetorni 9,
Jüri alevik, Rae vald,
75301 Harjumaa

MATERIAL:

wood, plywood, metal, plastic

A4

WEIGHT:

SCALE: 1:10

SHEET 20 OF 20