

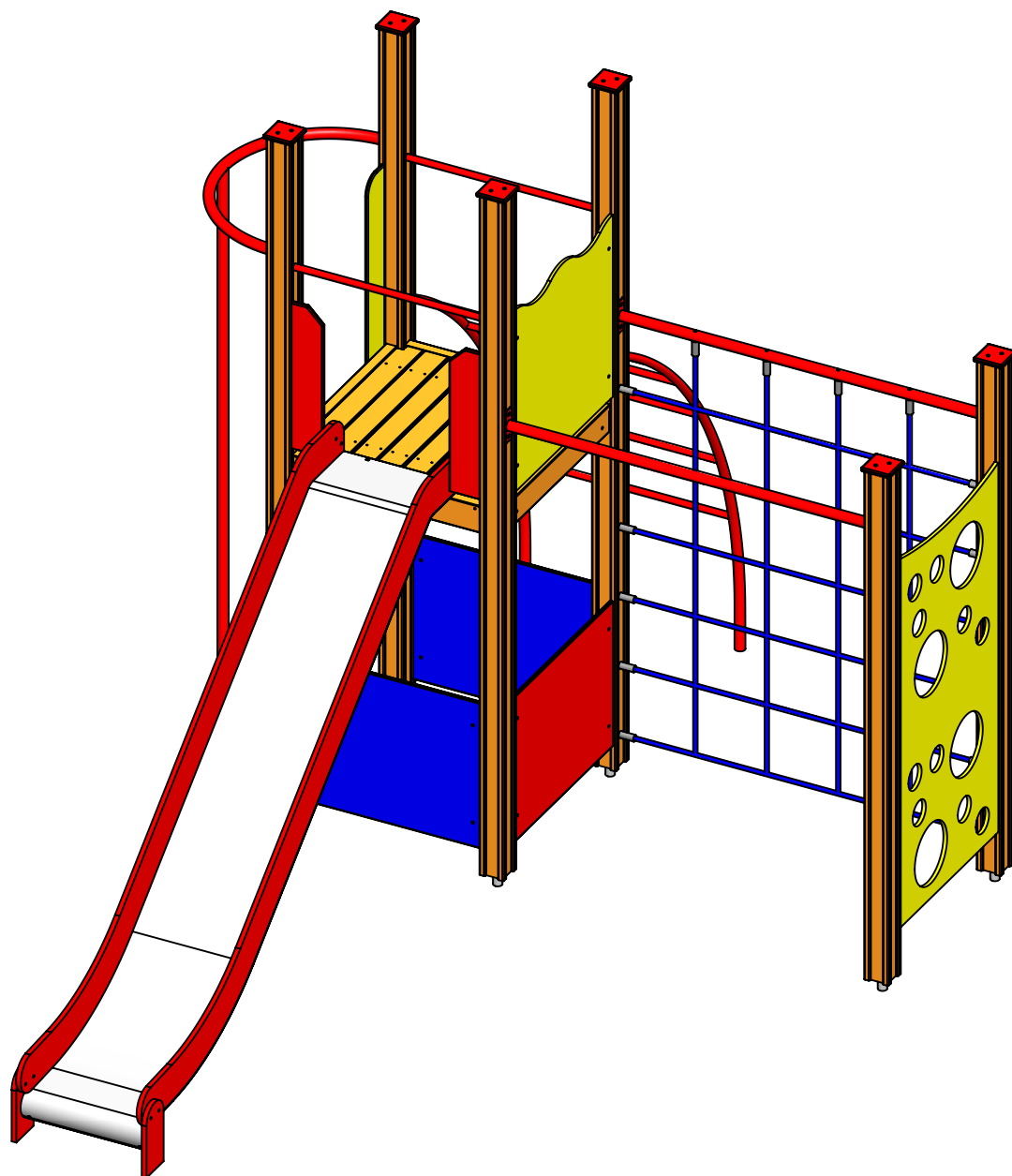
A

B

C

D

E



UNLESS OTHERWISE SPECIFIED:
DIMENSIONS ARE IN MILLIMETERS
WEIGHT ARE IN KILOGRAMM

PART NUMBER / DWG NO.:

LM214-1

	NAME	SIGNATURE	DATE	REVISION
DRAWN	M.Rebase		4.11.2013	
APPV'D				

DESCRIPTION:

Slide HARDY

F



Tiptaptap OÜ

Tiptaptap OÜ
Veetorni 9,
Jüri alevik, Rae vald,
75301 Harjumaa

MATERIAL:

wood, metal, plastic

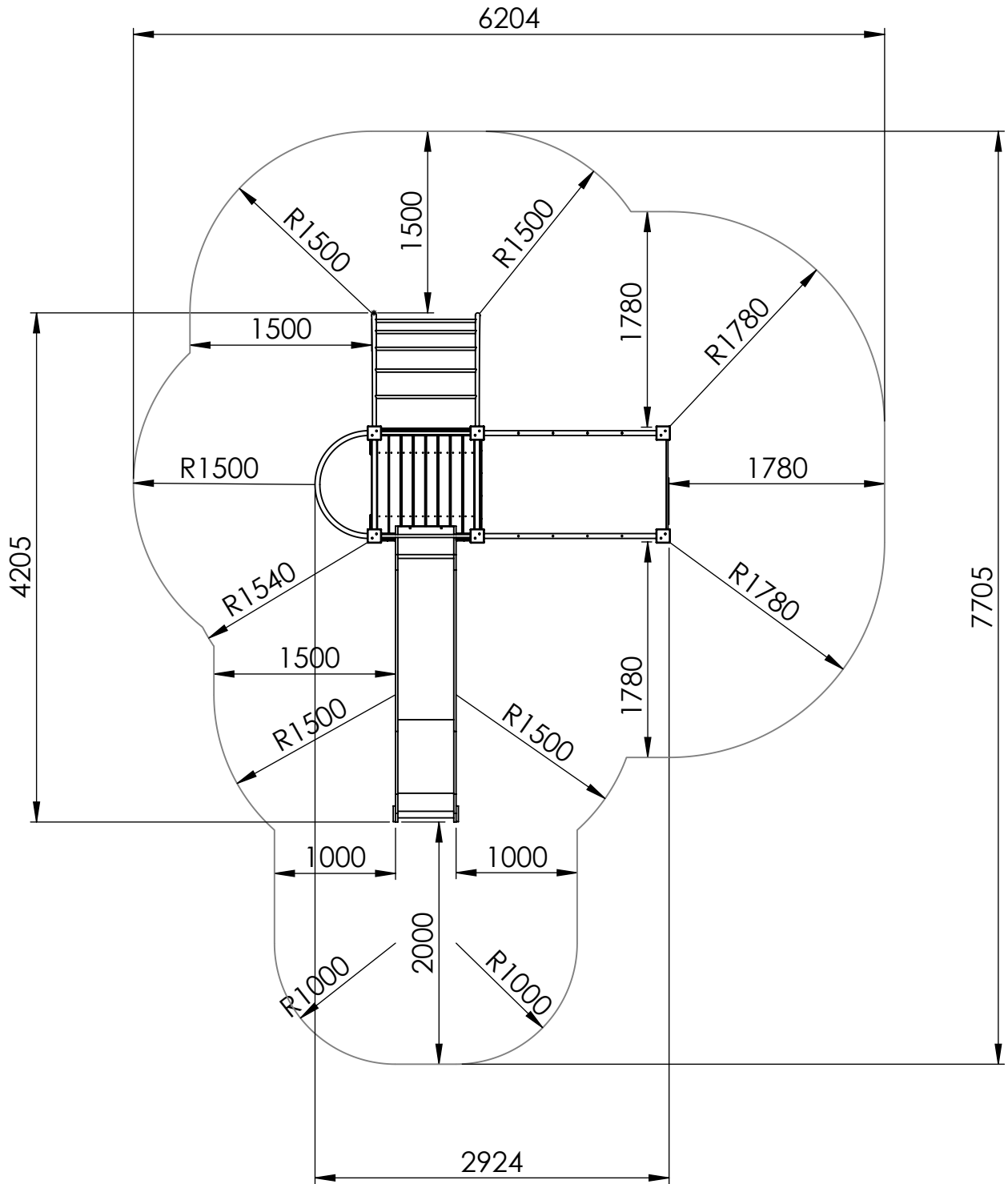
A4

WEIGHT:

SCALE: 1:25

SHEET 1 OF 17

safety area



UNLESS OTHERWISE SPECIFIED:
DIMENSIONS ARE IN MILLIMETERS
WEIGHT ARE IN KILOGRAMM

PART NUMBER / DWG NO.:

LM214-1

	NAME	SIGNATURE	DATE	REVISION
DRAWN	M.Rebase		4.11.2013	
APPV'D				

DESCRIPTION:

Slide HARDY



Tiptaptap OÜ

Tiptaptap OÜ
Veetorni 9,
Jüri alevik, Rae vald,
75301 Harjumaa

MATERIAL:

wood, metal, plastic

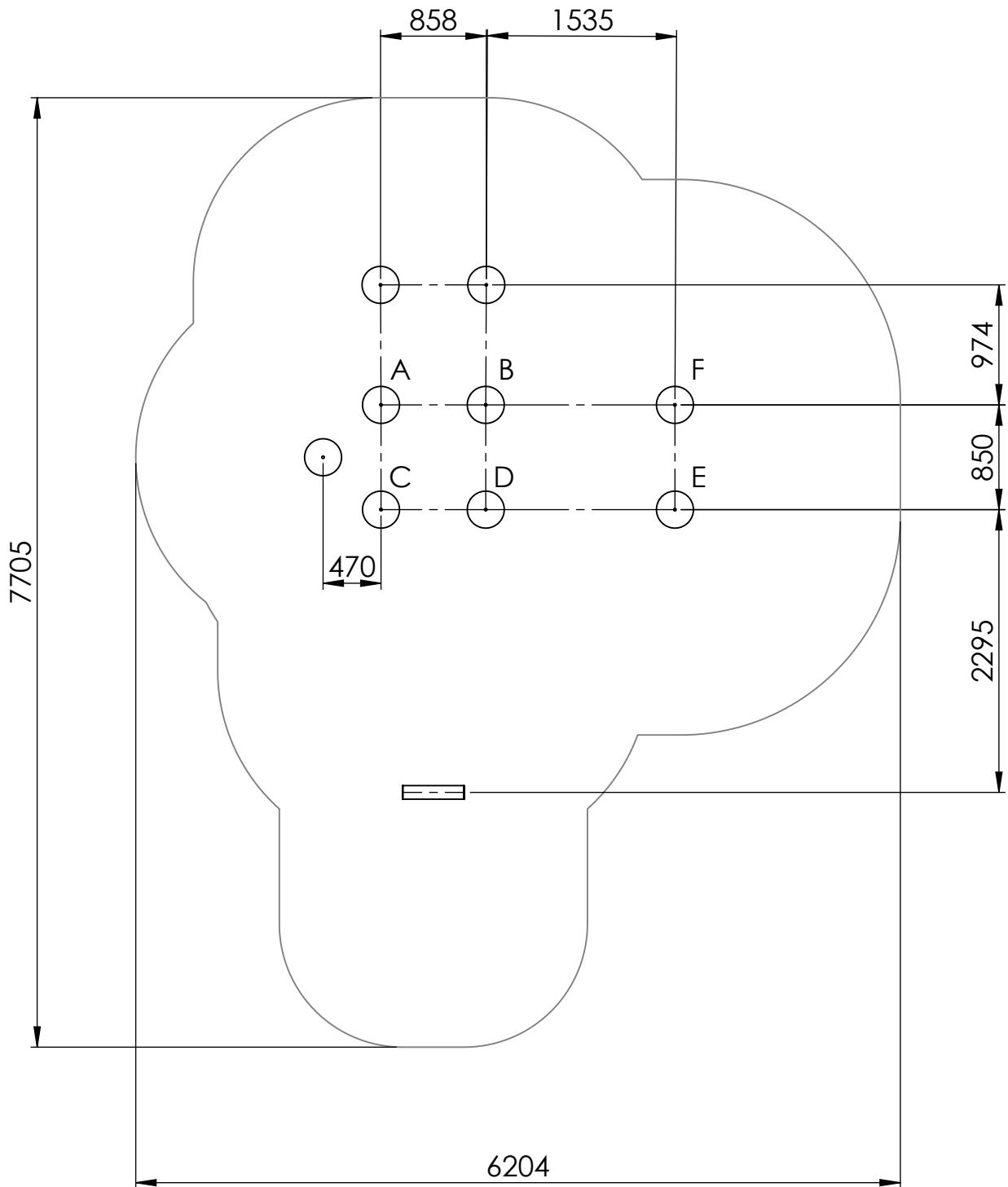
A4

WEIGHT:

SCALE: 1:50

SHEET 2 OF 17

foundation



UNLESS OTHERWISE SPECIFIED:
DIMENSIONS ARE IN MILLIMETERS
WEIGHT ARE IN KILOGRAMM

PART NUMBER / DWG NO.:

LM214-1

	NAME	SIGNATURE	DATE	REVISION
DRAWN	M.Rebase		4.11.2013	
APPV'D				

DESCRIPTION:

Slide HARDY



Tiptap OÜ

Tiptap OÜ
Veetorni 9,
Jüri alevik, Rae vald,
75301 Harjumaa

MATERIAL:

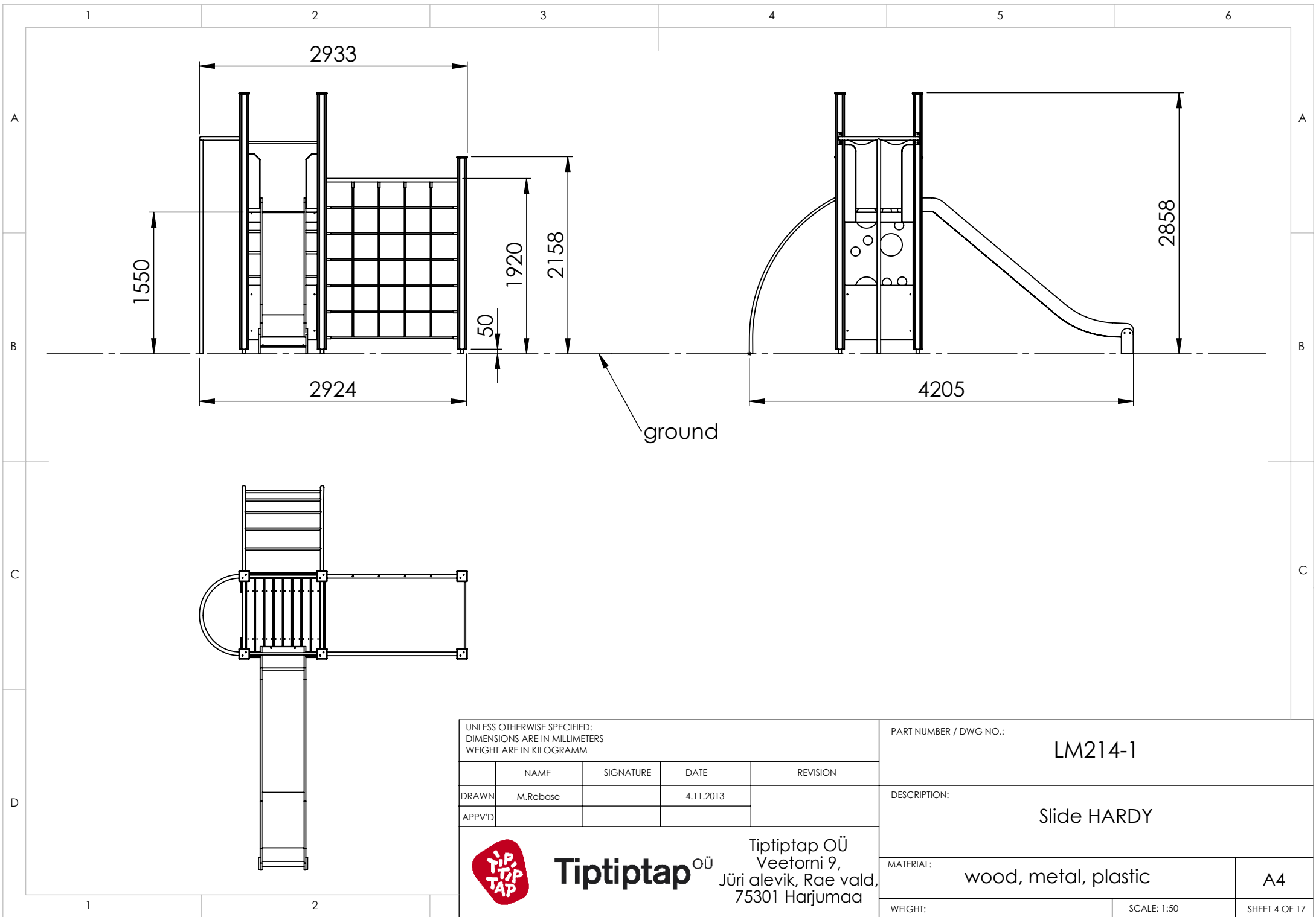
wood, metal, plastic

A4

WEIGHT:

SCALE: 1:50

SHEET 3 OF 17



UNLESS OTHERWISE SPECIFIED:
 DIMENSIONS ARE IN MILLIMETERS
 WEIGHT ARE IN KILOGRAMM

PART NUMBER / DWG NO.:
LM214-1

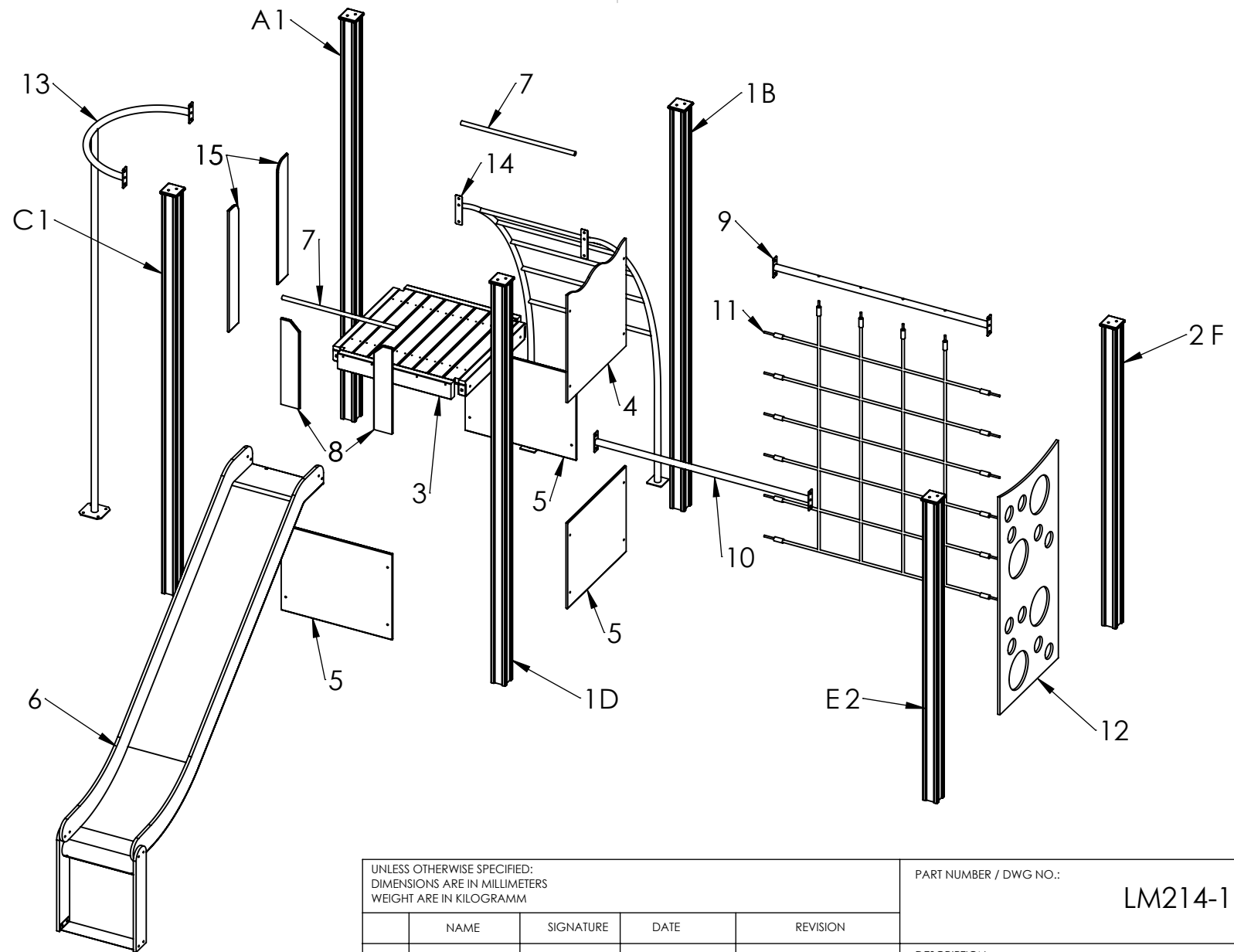
	NAME	SIGNATURE	DATE	REVISION
DRAWN	M.Rebase		4.11.2013	
APPV'D				

DESCRIPTION:
Slide HARDY



Tiptaptap OÜ
 Veetorni 9,
 Jüri alevik, Rae vald,
 75301 Harjumaa

MATERIAL:	wood, metal, plastic	A4
WEIGHT:		SCALE: 1:50
		SHEET 4 OF 17



UNLESS OTHERWISE SPECIFIED:
 DIMENSIONS ARE IN MILLIMETERS
 WEIGHT ARE IN KILOGRAMM

	NAME	SIGNATURE	DATE	REVISION
DRAWN	M.Rebase		4.11.2013	
APPV'D				

PART NUMBER / DWG NO.: **LM214-1**

DESCRIPTION: **Slide HARDY**



Tiptaptap OÜ
 Veetorni 9,
 Jüri alevik, Rae vald,
 75301 Harjumaa

MATERIAL:	wood, metal, plastic	A4
WEIGHT:	SCALE: 1:35	SHEET 5 OF 17

ITEM NO.	PART NUMBER	DESCRIPTION	QTY.	
A	1	post 98x98x2800	laminated wood	4
	2	post 98x98x2100	laminated wood	2
	3	platform	laminated wood, metal	1
	4	panel 750x750	plywood	1
	5	panel 750x600	plywood	3
B	6	slide h_1550	stainless steel, PE plastic	1
	7	guardrail ϕ 25x770	painted steel	2
	8	panel 125x600	plywood	2
	9	beam 40x1455 for net	painted steel	1
	10	beam 40x1455	painted steel	1
	11	climbing net	PP covered steel wire	1
	12	climbing wall	plywood	1
C	13	climbing pole	painted steel	1
	14	arch ladder	galvanized painted steel	1
	15	panel 850x126	plywood	2
D				
E				

UNLESS OTHERWISE SPECIFIED: DIMENSIONS ARE IN MILLIMETERS WEIGHT ARE IN KILOGRAMM				
	NAME	SIGNATURE	DATE	REVISION
DRAWN	M.Rebase		4.11.2013	
APPV'D				

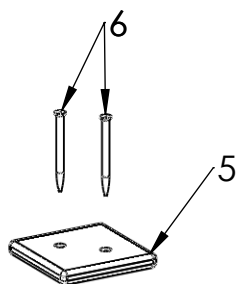
PART NUMBER / DWG NO.:	LM214-1
DESCRIPTION:	Slide HARDY



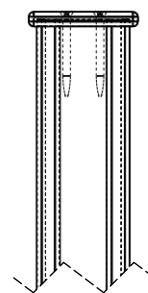
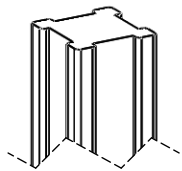
Tiptiptap OÜ
 Veetorni 9,
 Jüri alevik, Rae vald,
 75301 Harjumaa

MATERIAL:	wood, metal, plastic	A4
WEIGHT:	SCALE: 1:35	SHEET 6 OF 17

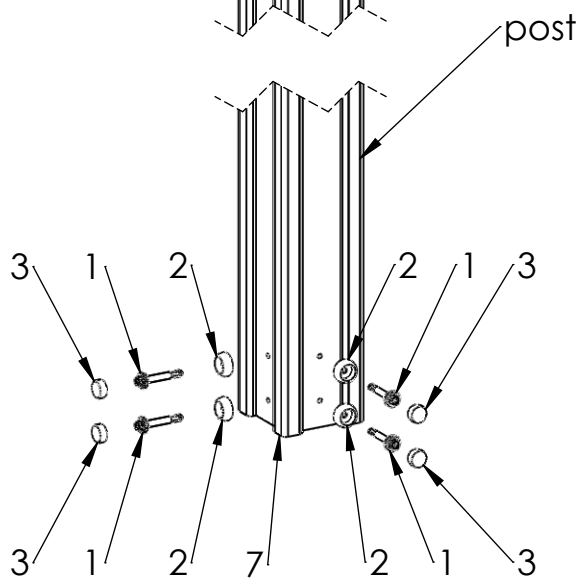
A



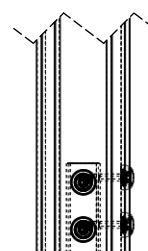
B



C

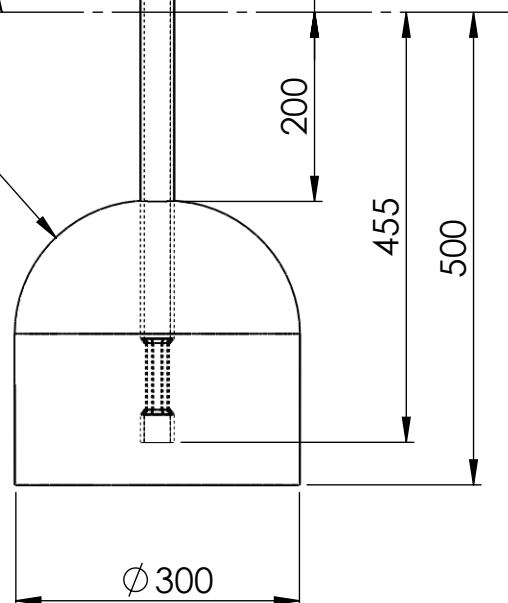


ground



50

concrete



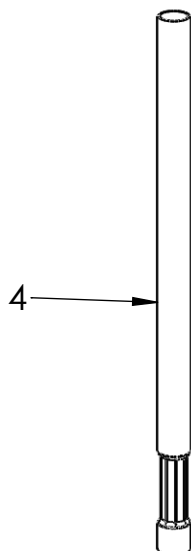
200

455

500

Ø 300

D



4

E

ITEM NO.	PART NUMBER
1	screw DIN7504K 5,5x50
2	nut cover M6
3	nut cover cap M6
4	metal ground fixing L_600
5	plastic cap 115x115
6	woodscrew 6 x 90

UNLESS OTHERWISE SPECIFIED:
DIMENSIONS ARE IN MILLIMETERS
WEIGHT ARE IN KILOGRAMM

PART NUMBER / DWG NO.:

LM214-1

NAME	SIGNATURE	DATE	REVISION
DRAWN M.Rebase		4.11.2013	
APPV'D			

DESCRIPTION:

Slide HARDY
connecting metal ground fixing to post

MATERIAL:

wood, metal, plastic

A4

WEIGHT:

SCALE: 1:8

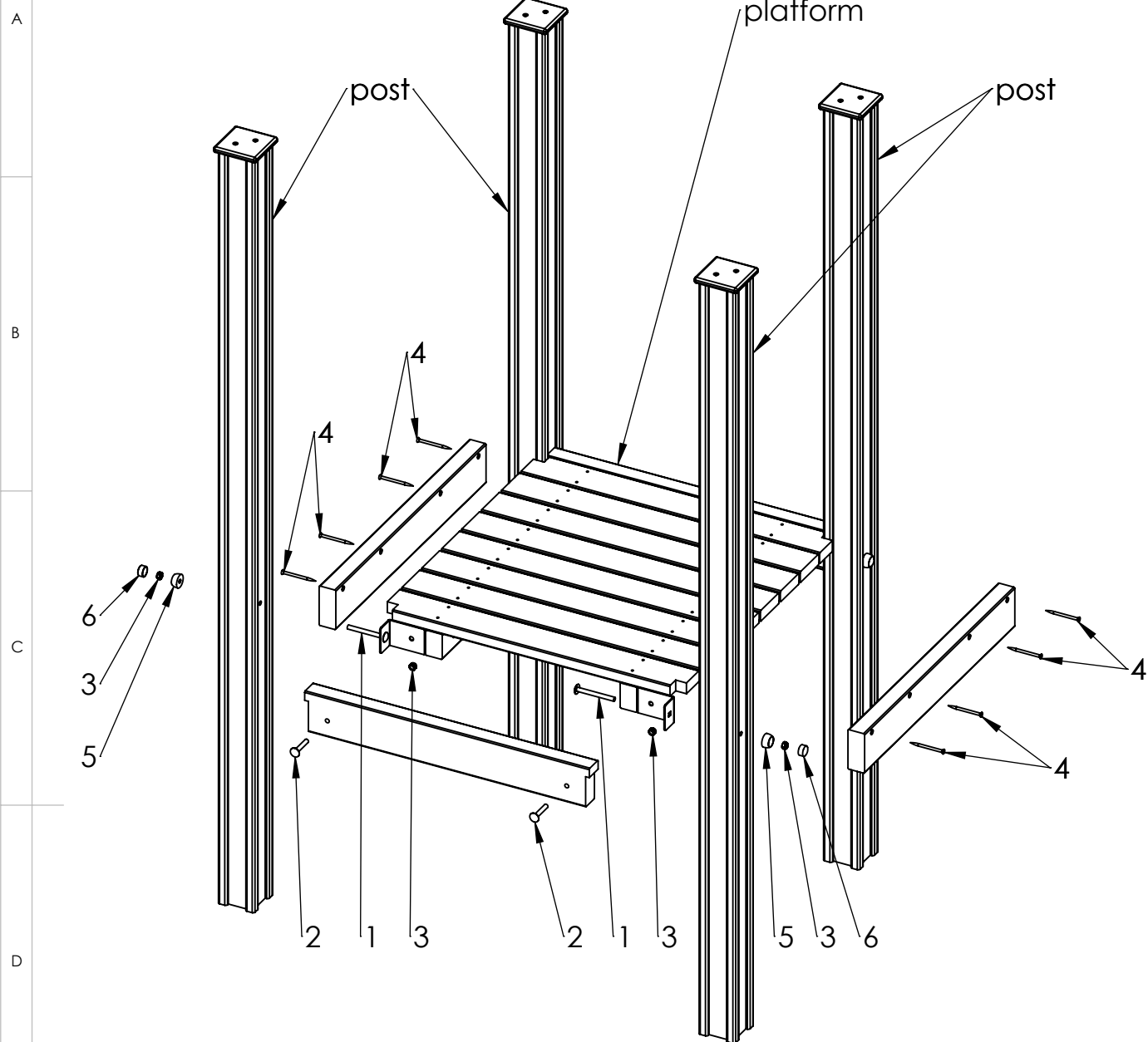
SHEET 7 OF 17

F



Tiptiptap OÜ

Tiptiptap OÜ
Veetorni 9,
Jüri alevik, Rae vald,
75301 Harjumaa



E

ITEM NO.	PART NUMBER
1	bolt DIN603 M10x100
2	bolt DIN603 M10x60
3	nut DIN985 M10
4	woodscrew 6 x 90
5	nut cover M10
6	nut cover cap M10

F

UNLESS OTHERWISE SPECIFIED:
DIMENSIONS ARE IN MILLIMETERS
WEIGHT ARE IN KILOGRAMM

	NAME	SIGNATURE	DATE	REVISION
DRAWN	M.Rebase		4.11.2013	
APPV'D				



Tiptaptap OÜ

Tiptaptap OÜ
Veetorni 9,
Jüri alevik, Rae vald,
75301 Harjumaa

PART NUMBER / DWG NO.:

LM214-1

DESCRIPTION:

Slide HARDY
connecting platform to post

MATERIAL:

wood, metal, plastic

A4

WEIGHT:

SCALE: 1:15

SHEET 8 OF 17

A

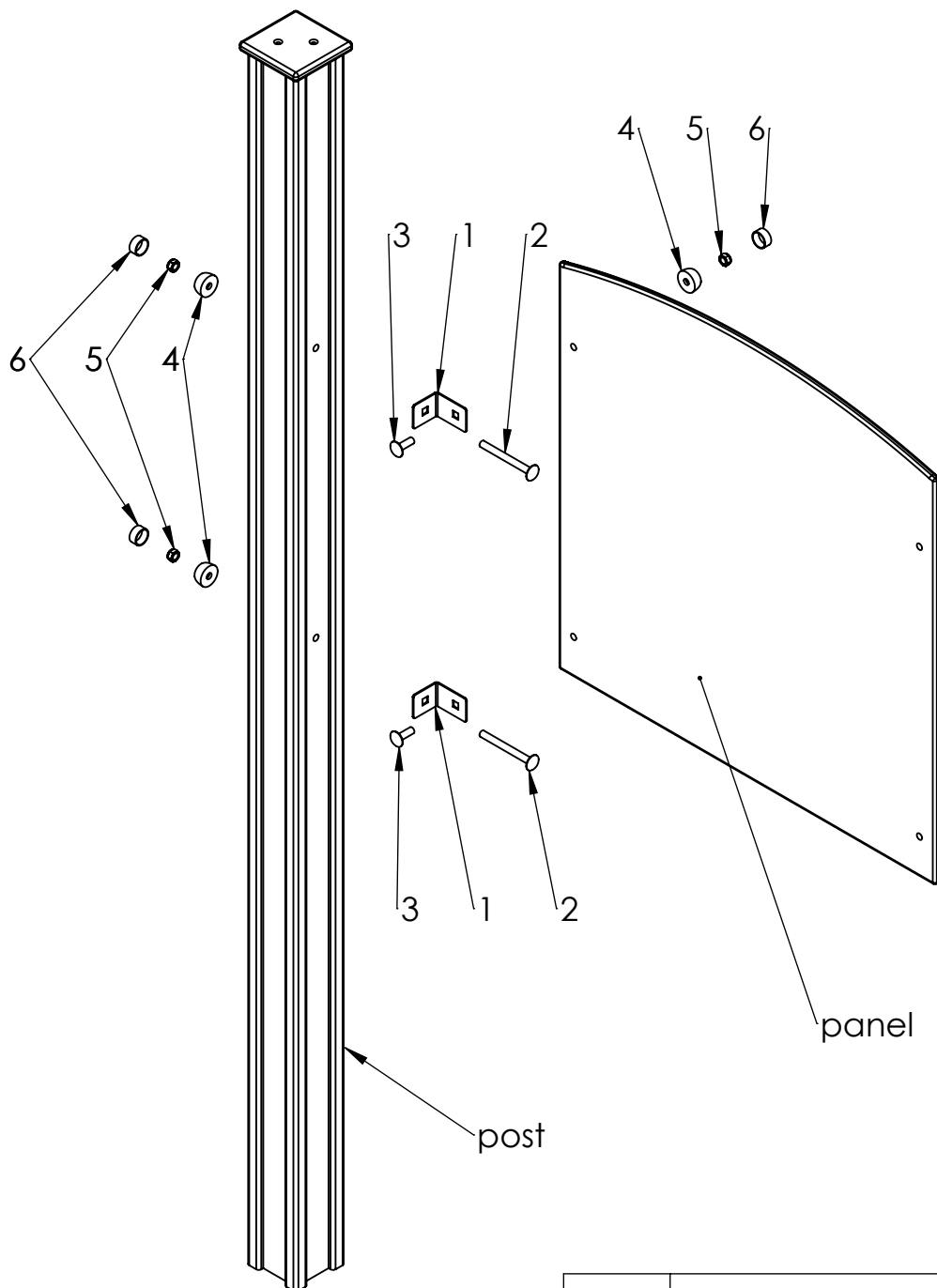
B

C

D

E

F



ITEM NO.	PART NUMBER
1	corner 48x60
2	bolt DIN603 M10x100
3	bolt DIN603 M10x30
4	nut cover M10
5	nut DIN985 M10
6	nut cover cap M10

UNLESS OTHERWISE SPECIFIED:
DIMENSIONS ARE IN MILLIMETERS
WEIGHT ARE IN KILOGRAMM

PART NUMBER / DWG NO.:

LM214-1

	NAME	SIGNATURE	DATE	REVISION
DRAWN	M.Rebase		4.11.2013	
APPV'D				

DESCRIPTION:

Slide HARDY
connecting panel to post

MATERIAL:

wood, metal, plastic

A4

WEIGHT:

SCALE: 1:10

SHEET 9 OF 17



Tiptap OÜ

Tiptap OÜ
Veetorni 9,
Jüri alevik, Rae vald,
75301 Harjumaa

A

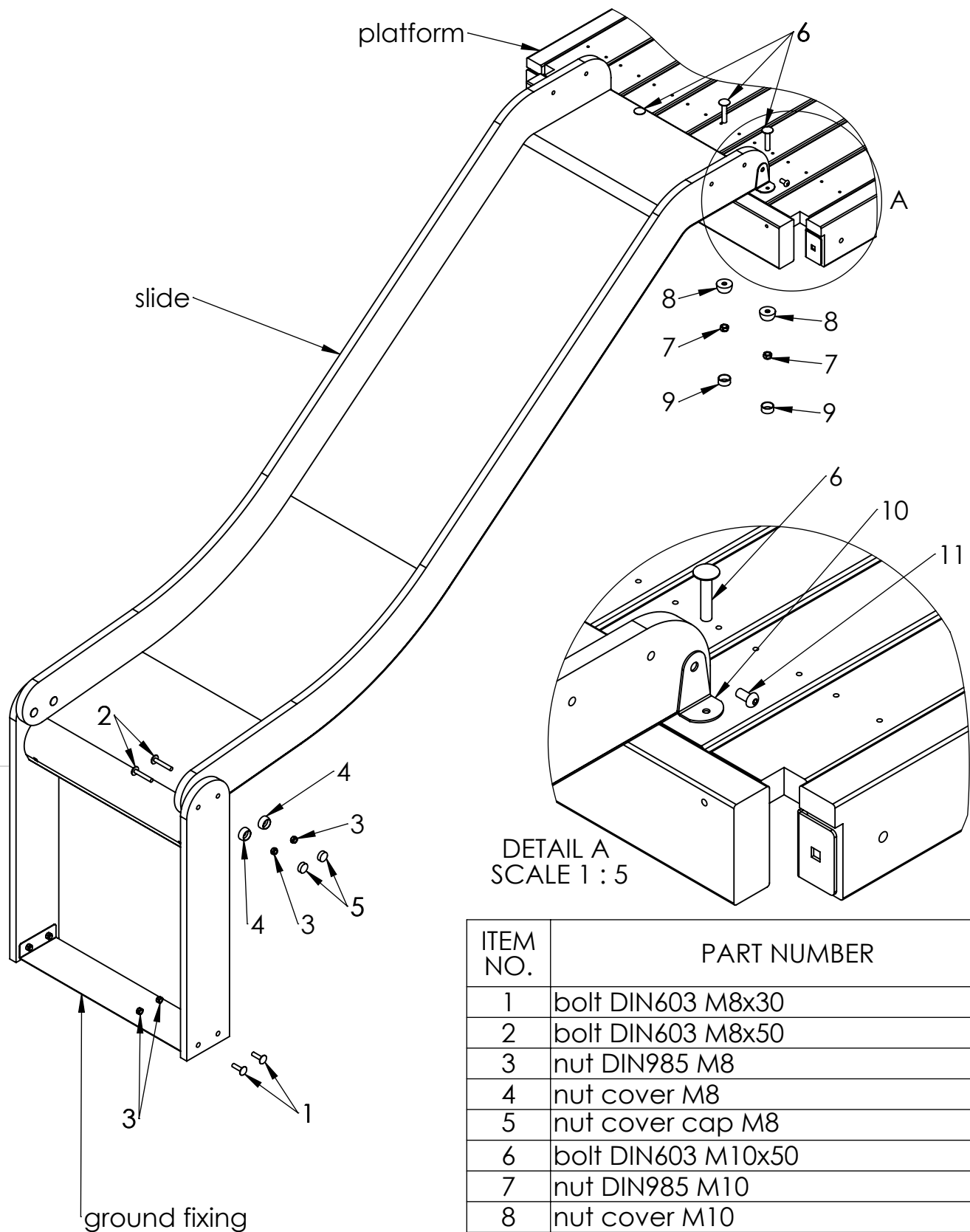
B

C

D

E

F



DETAIL A
SCALE 1 : 5

ITEM NO.	PART NUMBER
1	bolt DIN603 M8x30
2	bolt DIN603 M8x50
3	nut DIN985 M8
4	nut cover M8
5	nut cover cap M8
6	bolt DIN603 M10x50
7	nut DIN985 M10
8	nut cover M10
9	nut cover cap M10
10	corner 58x30
11	metal screw DIN 7380 M8x16

UNLESS OTHERWISE SPECIFIED:
DIMENSIONS ARE IN MILLIMETERS
WEIGHT ARE IN KILOGRAMM

	NAME	SIGNATURE	DATE	REVISION
DRAWN	M.Rebase		4.11.2013	
APPV'D				

PART NUMBER / DWG NO.:

LM214-1

DESCRIPTION:

Slide HARDY
connecting slide to platform

MATERIAL:

wood, metal, plastic

A4

WEIGHT:

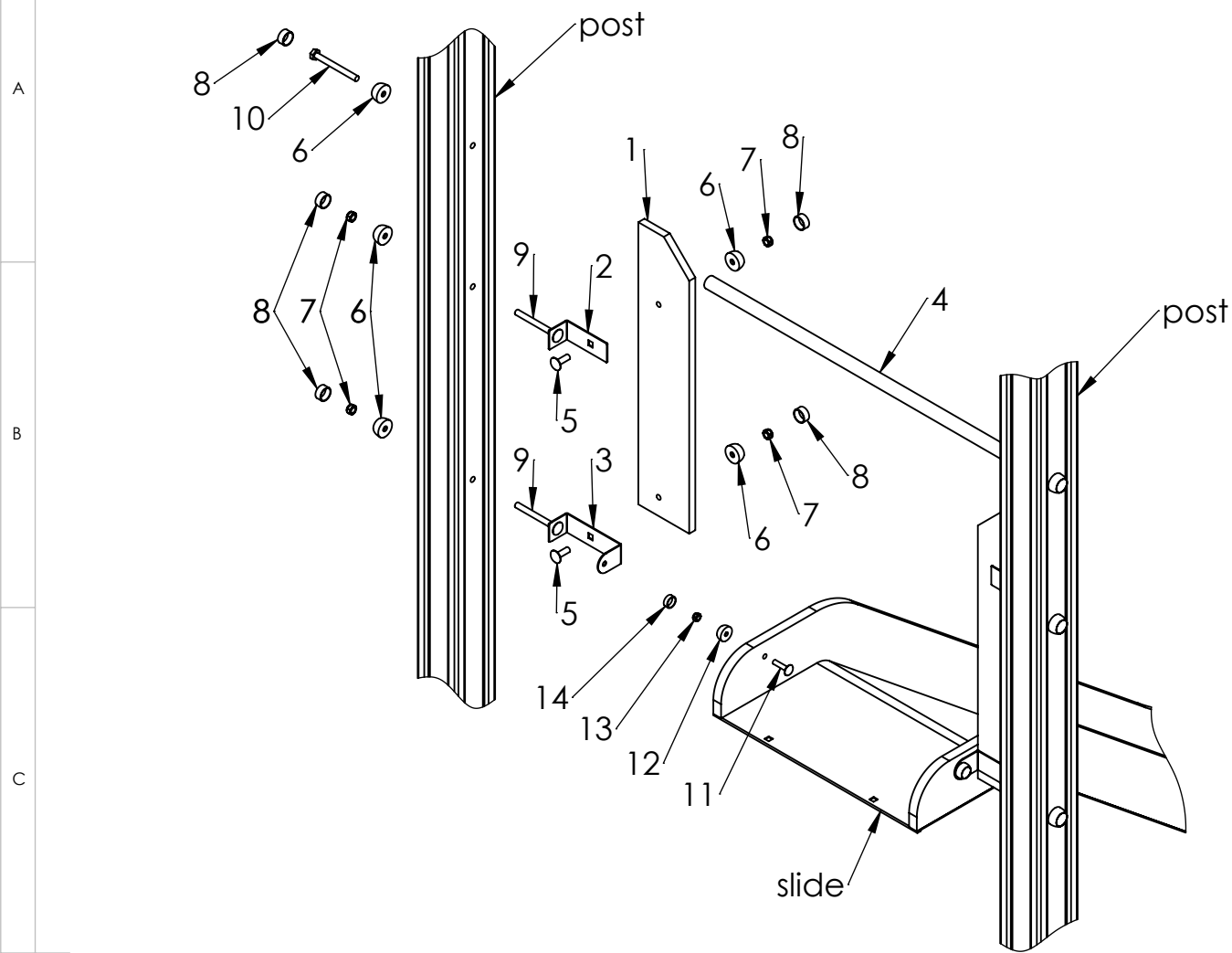
SCALE: 1:12

SHEET 10 OF 17



Tiptaptap OÜ

Tiptaptap OÜ
Veetorni 9,
Jüri alevik, Rae vald,
75301 Harjumaa



ITEM NO.	PART NUMBER
1	slide side panel 125x600
2	slide side panel fixing 40x100
3	slide side panel fixing 40x135
4	guardrail ϕ 25x770
5	bolt DIN603 M10x30
6	nut cover M10
7	nut DIN985 M10
8	nut cover cap M10
9	bolt DIN603 M10x100
10	bolt DIN931 M10x100
11	bolt DIN603 M8x35
12	nut cover M8
13	nut DIN985 M8
14	nut cover cap M8

UNLESS OTHERWISE SPECIFIED:
DIMENSIONS ARE IN MILLIMETERS
WEIGHT ARE IN KILOGRAMM

PART NUMBER / DWG NO.:

LM214-1

NAME	SIGNATURE	DATE	REVISION
DRAWN	M.Rebase	4.11.2013	
APPV'D			

DESCRIPTION:

Slide HARDY
connecting slide side panel to post

MATERIAL:

wood, metal, plastic

A4

WEIGHT:

SCALE: 1:12

SHEET 11 OF 17



Tiptaptap OÜ

Tiptaptap OÜ
Veetorni 9,
Jüri alevik, Rae vald,
75301 Harjumaa

A

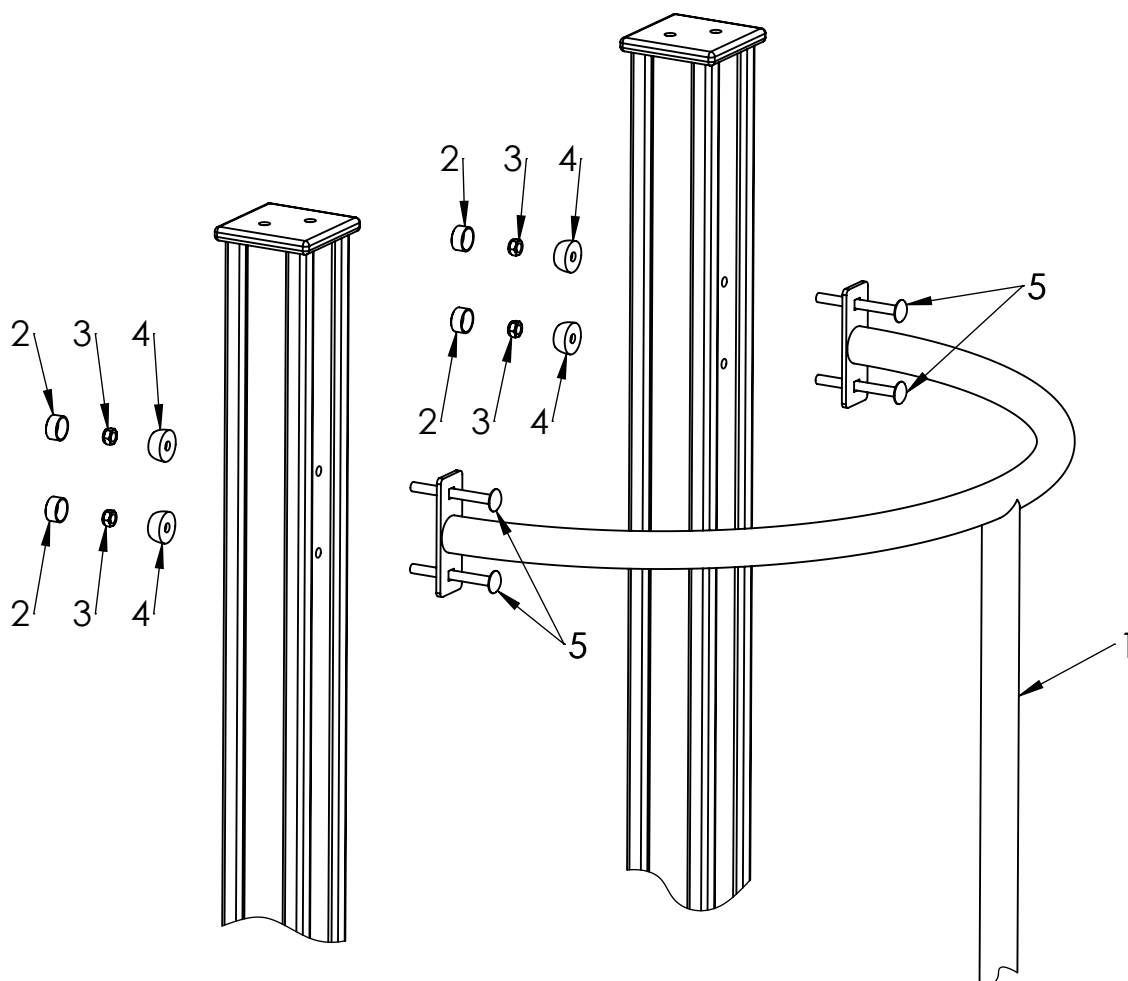
B

C

D

E

F



ITEM NO.	PART NUMBER
1	climbing pole
2	nut cover cap M10
3	nut DIN985 M10
4	nut cover M10
5	bolt DIN603 M10x100

UNLESS OTHERWISE SPECIFIED:
DIMENSIONS ARE IN MILLIMETERS
WEIGHT ARE IN KILOGRAMM

	NAME	SIGNATURE	DATE	REVISION
DRAWN	M.Rebase		4.11.2013	
APPV'D				

PART NUMBER / DWG NO.:

LM214-1

DESCRIPTION:

Slide HARDY
connecting climbing pole to post

MATERIAL:

wood, metal, plastic

A4

WEIGHT:

SCALE: 1:8

SHEET 12 OF 17



Tiptap OÜ

Tiptap OÜ
Veetorni 9,
Jüri alevik, Rae vald,
75301 Harjumaa

A

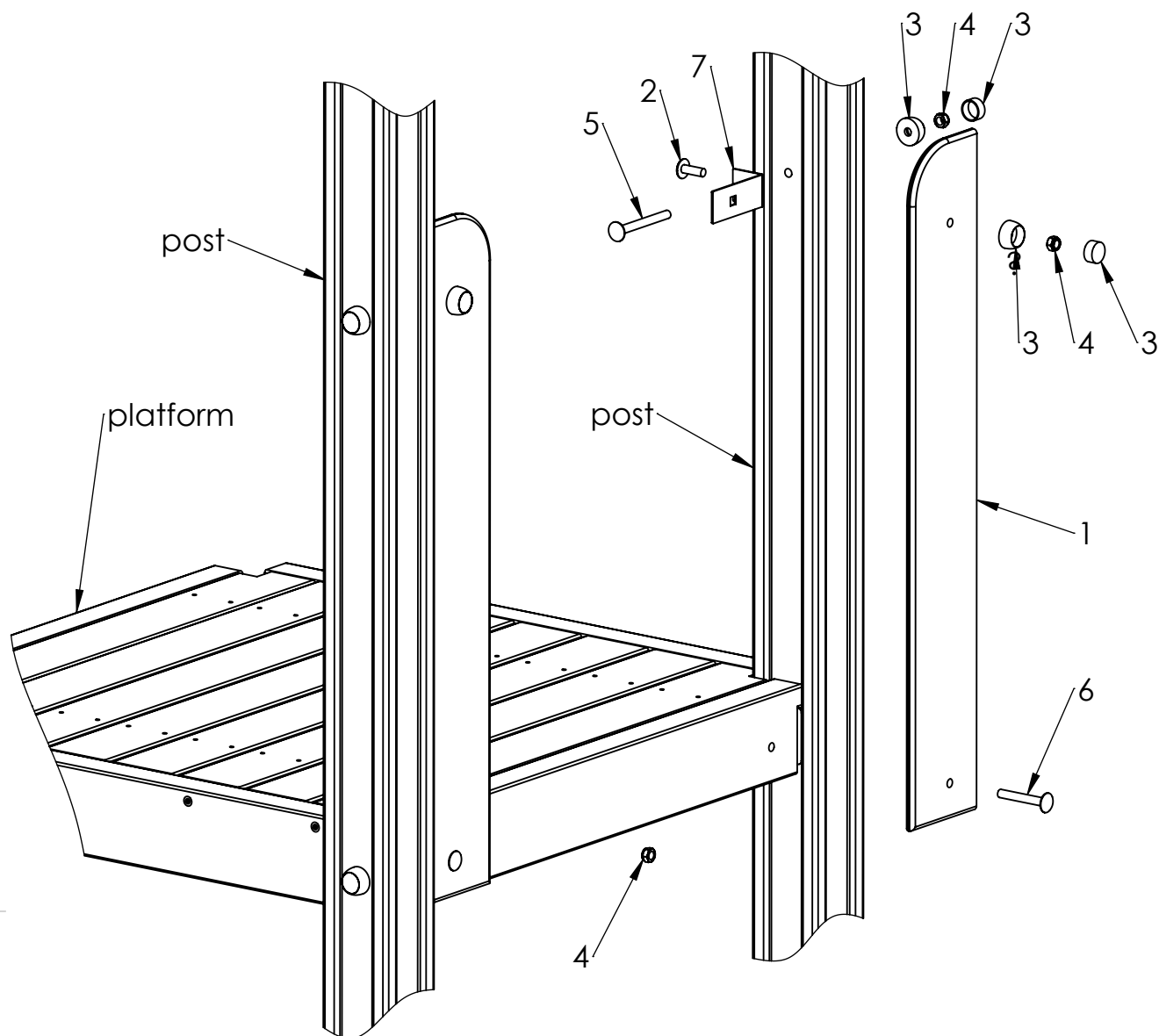
B

C

D

E

F



ITEM NO.	PART NUMBER
1	panel 850x126
2	bolt DIN603 M10x30
3	nut cover with cap
4	nut DIN985 M10
5	bolt DIN603 M10x100
6	bolt DIN603 M10x70
7	slide side panel fixing 40x100

UNLESS OTHERWISE SPECIFIED:
DIMENSIONS ARE IN MILLIMETERS
WEIGHT ARE IN KILOGRAMM

	NAME	SIGNATURE	DATE	REVISION
DRAWN	M.Rebase		4.11.2013	
APPV'D				

PART NUMBER / DWG NO.:

LM214-1

DESCRIPTION:

Slide HARDY
connecting climbing pole side panels

MATERIAL:

wood, metal, plastic

A4

WEIGHT:

SCALE: 1:8

SHEET 13 OF 17



Tiptaptap OÜ

Tiptaptap OÜ
Veetorni 9,
Jüri alevik, Rae vald,
75301 Harjumaa

A

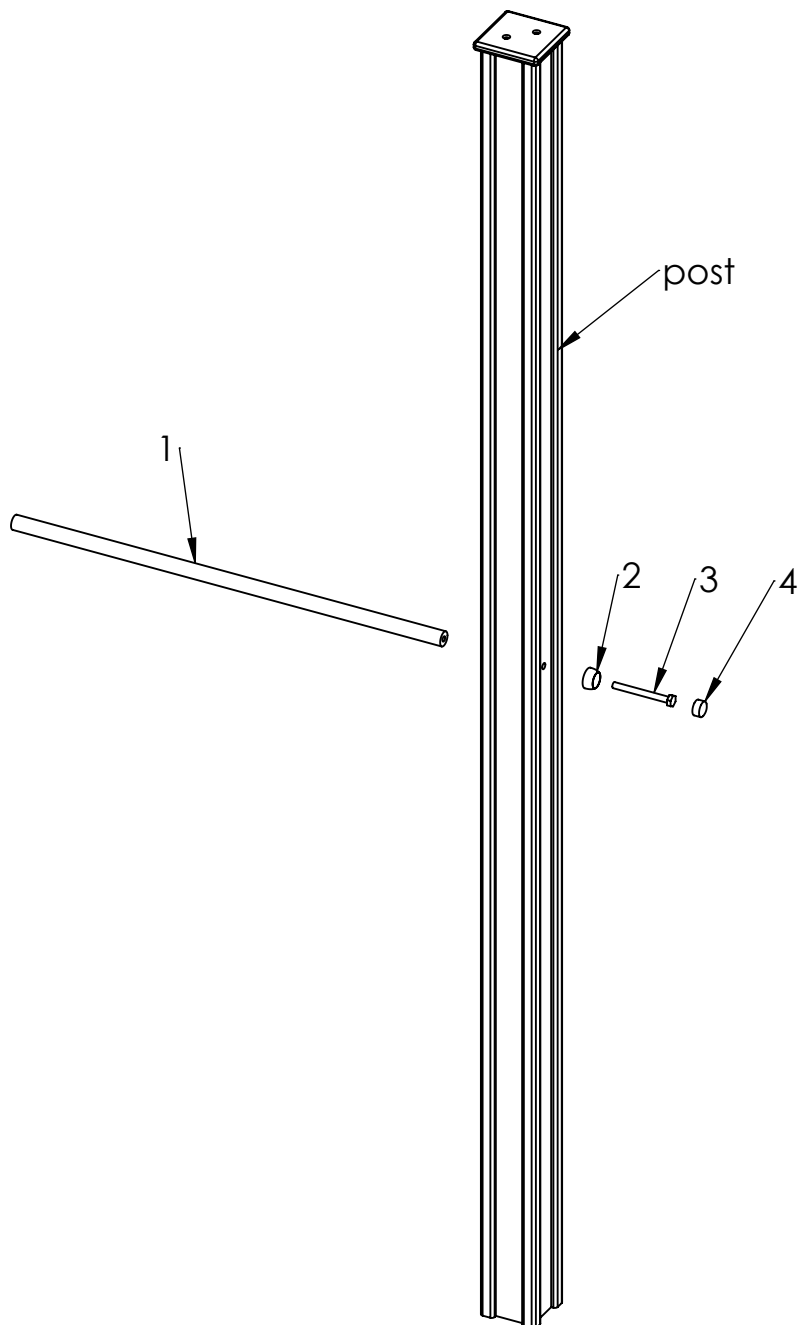
B

C

D

E

F



ITEM NO.	PART NUMBER
1	guardrail ϕ 25x770
2	nut cover M10
3	bolt DIN931 M10x100
4	nut cover cap M10

UNLESS OTHERWISE SPECIFIED:
DIMENSIONS ARE IN MILLIMETERS
WEIGHT ARE IN KILOGRAMM

PART NUMBER / DWG NO.:

LM214-1

	NAME	SIGNATURE	DATE	REVISION
DRAWN	M.Rebase		4.11.2013	
APPV'D				

DESCRIPTION:

Slide HARDY
connecting guardrail to post

MATERIAL:

wood, metal, plastic

A4

WEIGHT:

SCALE: 1:12

SHEET 14 OF 17



Tiptap OÜ

Tiptap OÜ
Veetorni 9,
Jüri alevik, Rae vald,
75301 Harjumaa

A

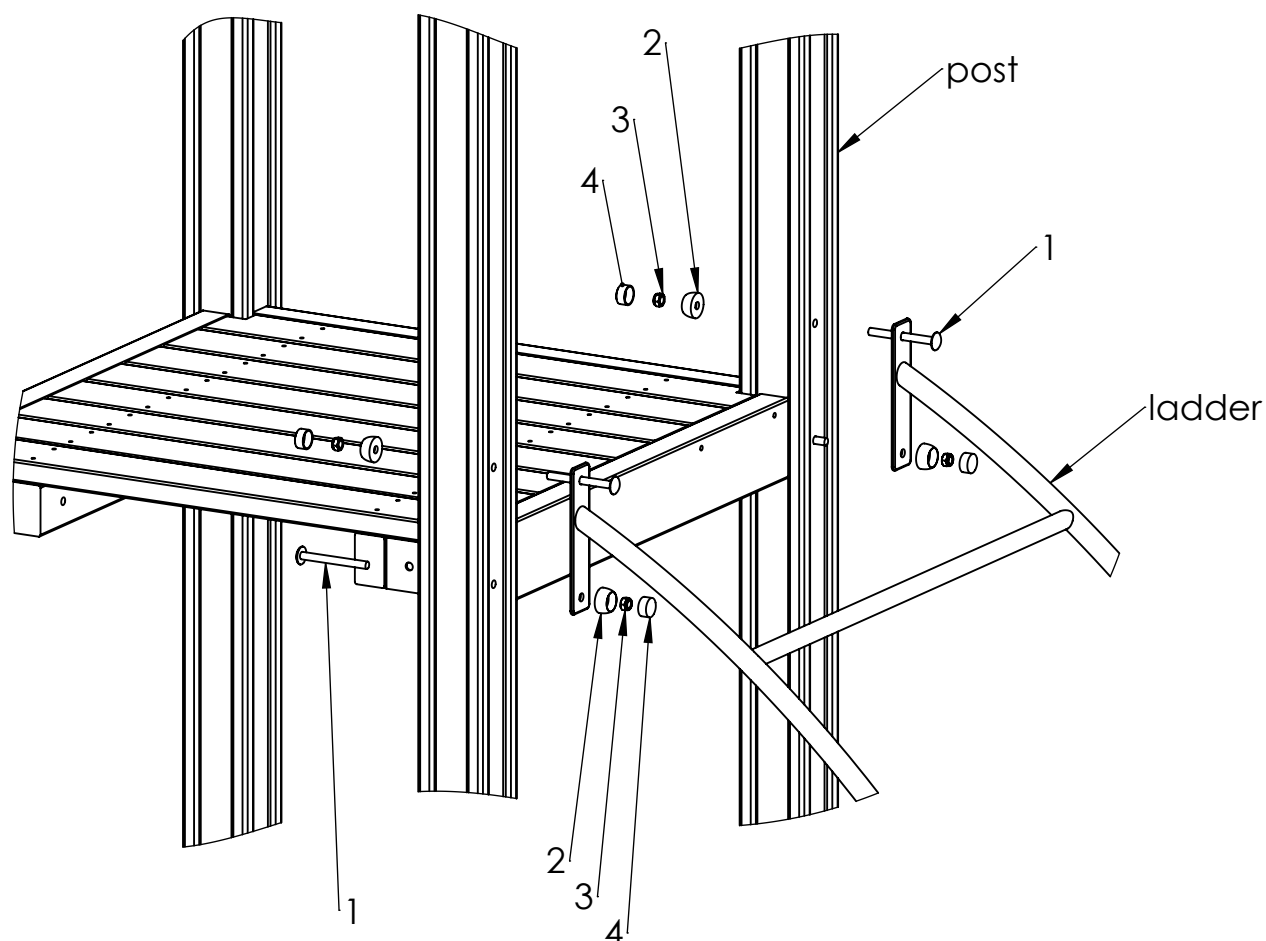
B

C

D

E

F



ITEM NO.	PART NUMBER
1	bolt DIN603 M10x100
2	nut cover
3	nut DIN 985 NYLOC M10
4	nut cover cap

UNLESS OTHERWISE SPECIFIED:
DIMENSIONS ARE IN MILLIMETERS
WEIGHT ARE IN KILOGRAMM

PART NUMBER / DWG NO.:

LM214-1

	NAME	SIGNATURE	DATE	REVISION
DRAWN	M.Rebase		4.11.2013	
APPV'D				

DESCRIPTION:

Slide HARDY
connecting arch ladder to post

MATERIAL:

wood, metal, plastic

A4

WEIGHT:

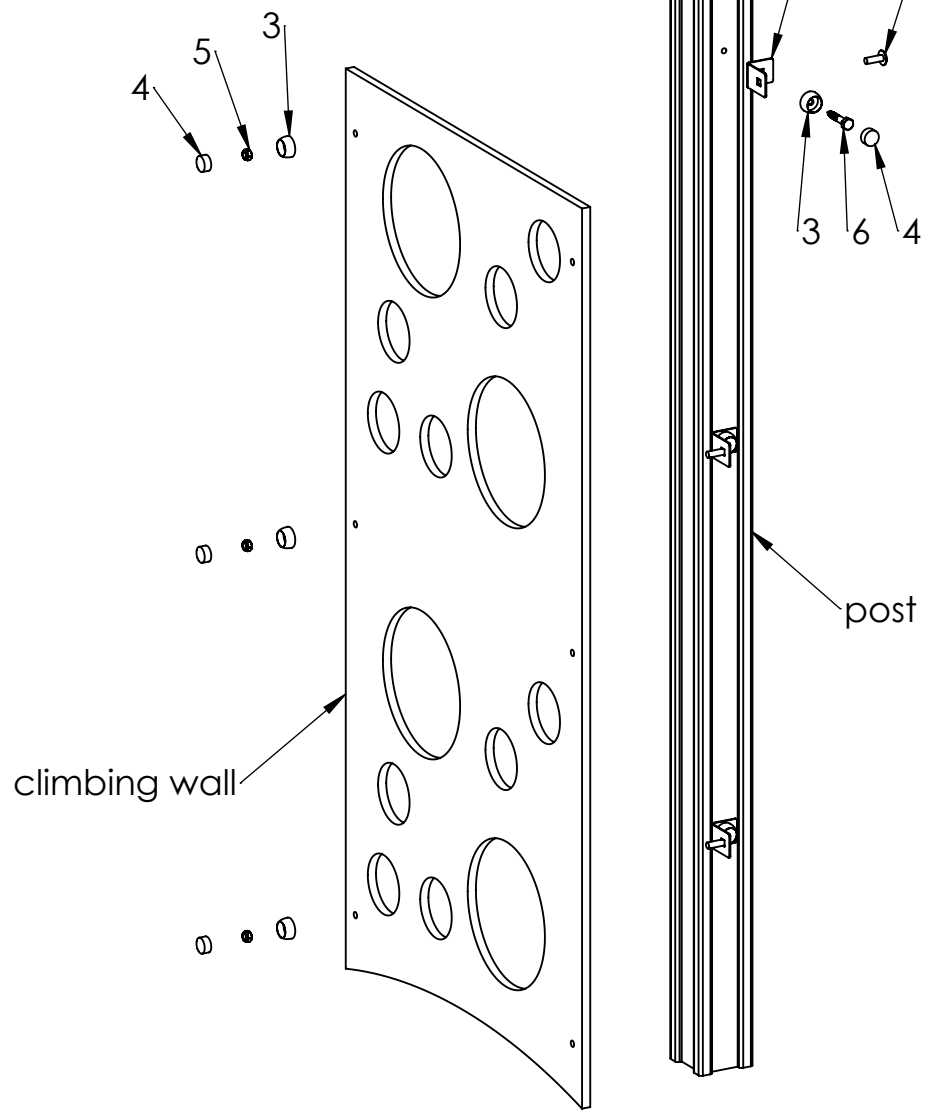
SCALE: 1:10

SHEET 15 OF 17



Tiptiptap OÜ

Tiptiptap OÜ
Veetorni 9,
Jüri alevik, Rae vald,
75301 Harjumaa

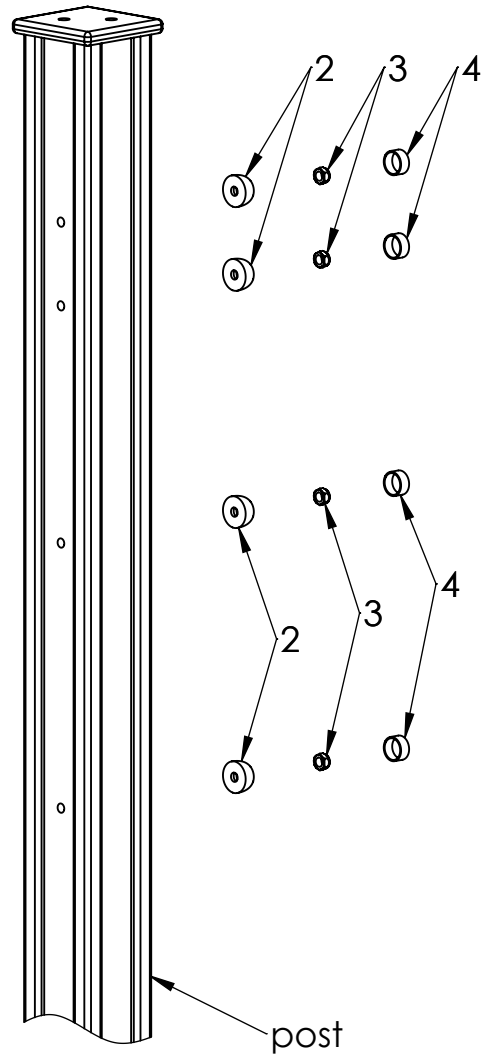
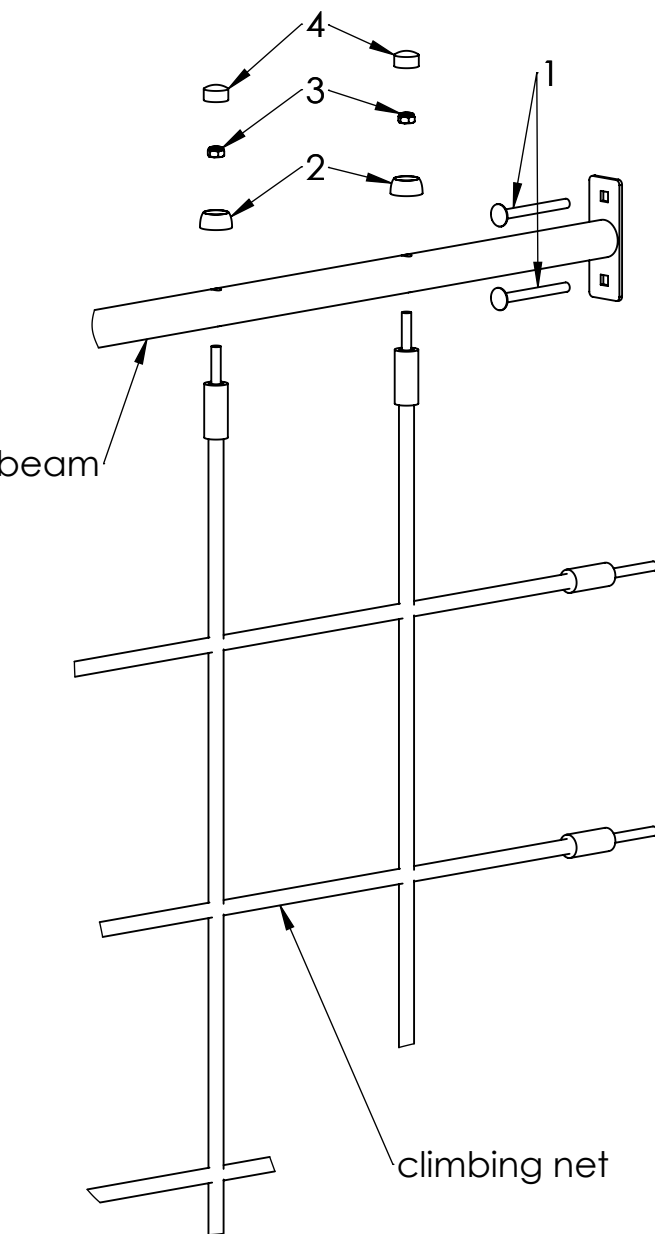


ITEM NO.	PART NUMBER
1	corner 48x60
2	bolt DIN603 M10x30
3	nut cover M10
4	nut cover cap M10
5	nut DIN985 M10
6	wood screw DIN571 10x60

UNLESS OTHERWISE SPECIFIED: DIMENSIONS ARE IN MILLIMETERS WEIGHT ARE IN KILOGRAMM				
	NAME	SIGNATURE	DATE	REVISION
DRAWN	M.Rebase		4.11.2013	
APPV'D				

PART NUMBER / DWG NO.:		LM214-1	
DESCRIPTION:			
Slide HARDY connecting climbing wall to post			
MATERIAL:		wood, metal, plastic	A4
WEIGHT:		SCALE: 1:12	SHEET 16 OF 17


Tiptap OÜ
 Veetorni 9,
 Jüri alevik, Rae vald,
 75301 Harjumaa



ITEM NO.	PART NUMBER
1	bolt DIN603 M10x100
2	nut cover M10
3	nut DIN985 M10
4	nut cover cap M10
7	beam 40x1455 for net

UNLESS OTHERWISE SPECIFIED:
DIMENSIONS ARE IN MILLIMETERS
WEIGHT ARE IN KILOGRAMM

	NAME	SIGNATURE	DATE	REVISION
DRAWN	M.Rebase		4.11.2013	
APPV'D				

PART NUMBER / DWG NO.:

LM214-1

DESCRIPTION:

Slide HARDY
connecting beam and climbing net to post

MATERIAL:

wood, metal, plastic

A4

WEIGHT:

SCALE: 1:8

SHEET 17 OF 17



Tiptiptap OÜ

Tiptiptap OÜ
Veetorni 9,
Jüri alevik, Rae vald,
75301 Harjumaa