

A

B

C

D

E

F



UNLESS OTHERWISE SPECIFIED:  
DIMENSIONS ARE IN MILLIMETERS  
WEIGHT ARE IN KILOGRAMM

PART NUMBER / DWG NO.:

LM214 MF

	NAME	SIGNATURE	DATE	REVISION
DRAWN	R.fedotov		10.09.2014	
APPV'D				

DESCRIPTION:

Slide HARRY



**Tiptaptap** OÜ

Tiptaptap OÜ  
Veetorni 9,  
Jüri alevik, Rae vald,  
75301 Harjumaa

MATERIAL:

metal, plastic

A4

WEIGHT:

SCALE: 1:30

SHEET 1 OF 17

# safety area

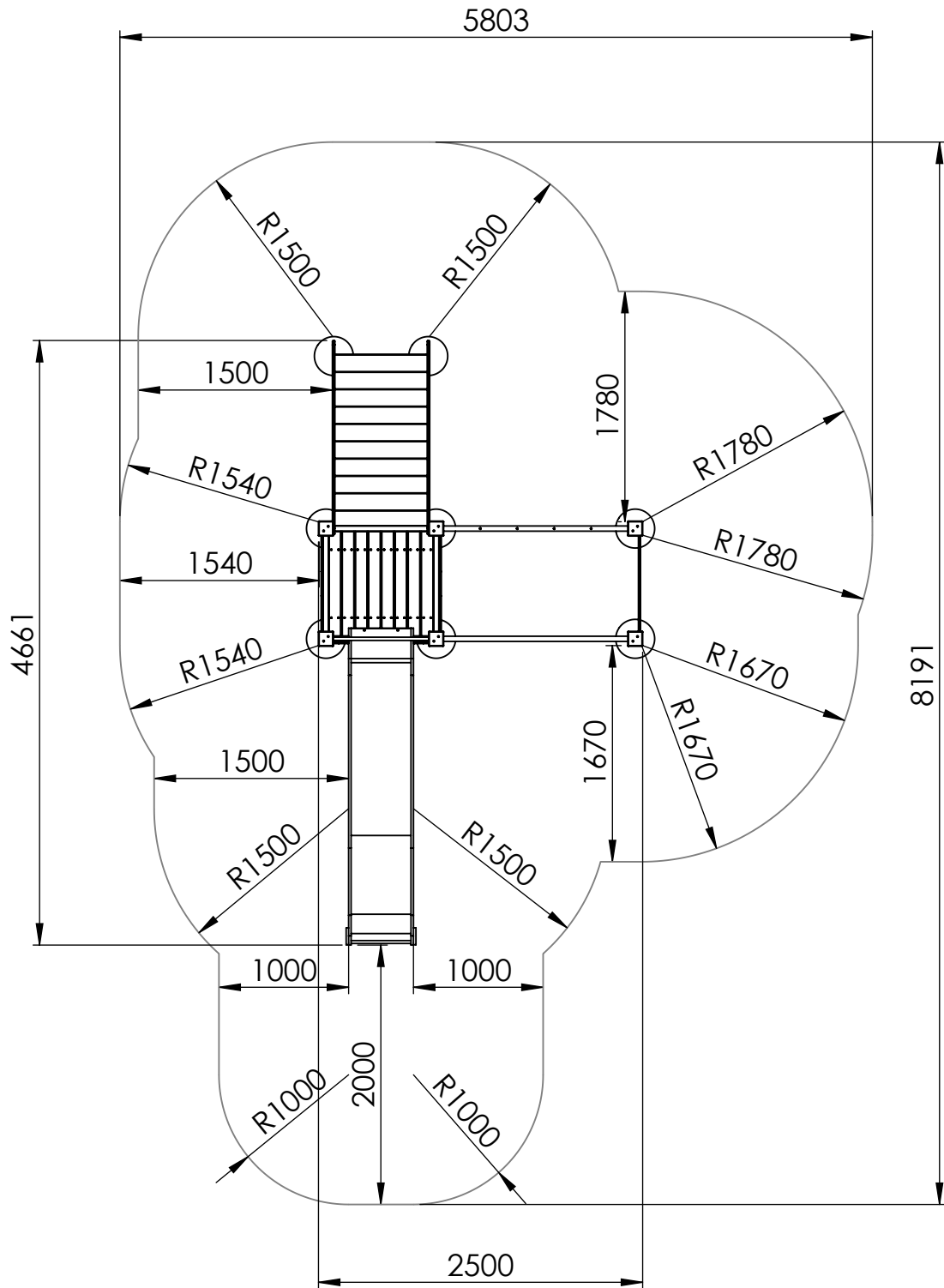
A

B

C

D

E



UNLESS OTHERWISE SPECIFIED:  
DIMENSIONS ARE IN MILLIMETERS  
WEIGHT ARE IN KILOGRAMM

PART NUMBER / DWG NO.:

LM214 MF

	NAME	SIGNATURE	DATE	REVISION
DRAWN	R.fedotov		10.09.2014	
APPV'D				

DESCRIPTION:

Slide HARRY



**Tiptaptap** OÜ

Tiptaptap OÜ  
Veetorni 9,  
Jüri alevik, Rae vald,  
75301 Harjumaa

MATERIAL:

metal, plastic

A4

WEIGHT:

SCALE: 1:50

SHEET 2 OF 17

# foundation

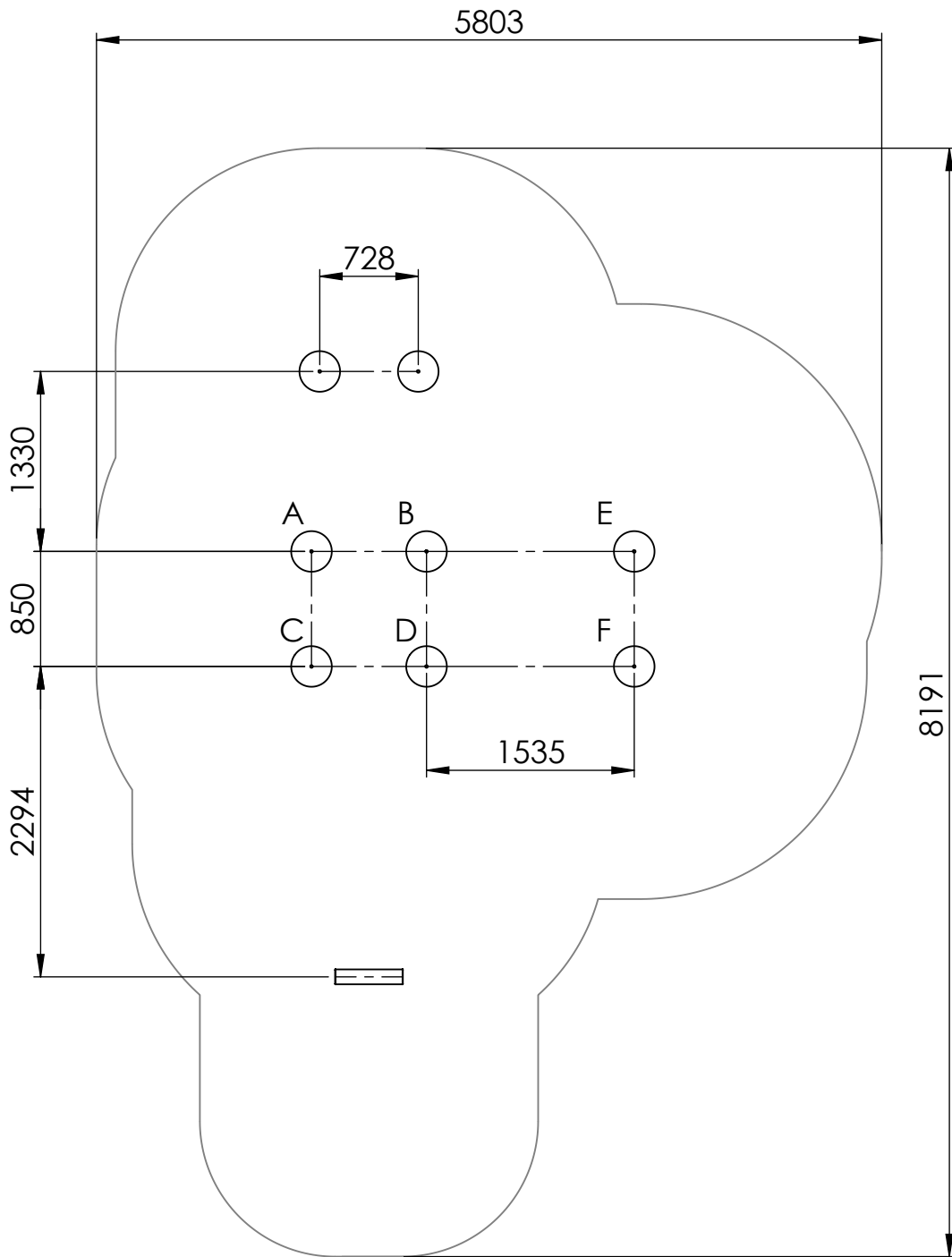
A

B

C

D

E



depth of foundation 500mm

UNLESS OTHERWISE SPECIFIED:  
DIMENSIONS ARE IN MILLIMETERS  
WEIGHT ARE IN KILOGRAMM

PART NUMBER / DWG NO.:

LM214 MF

	NAME	SIGNATURE	DATE	REVISION
DRAWN	R.fedotov		10.09.2014	
APPV'D				

DESCRIPTION:

Slide HARRY

F



**Tiptaptap** OÜ

Tiptaptap OÜ  
Veetorni 9,  
Jüri alevik, Rae vald,  
75301 Harjumaa

MATERIAL:

metal, plastic

A4

WEIGHT:

SCALE: 1:50

SHEET 3 OF 17

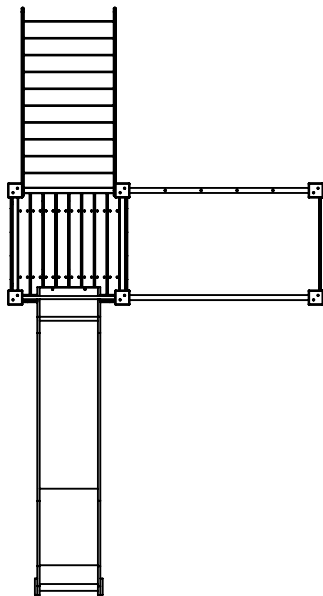
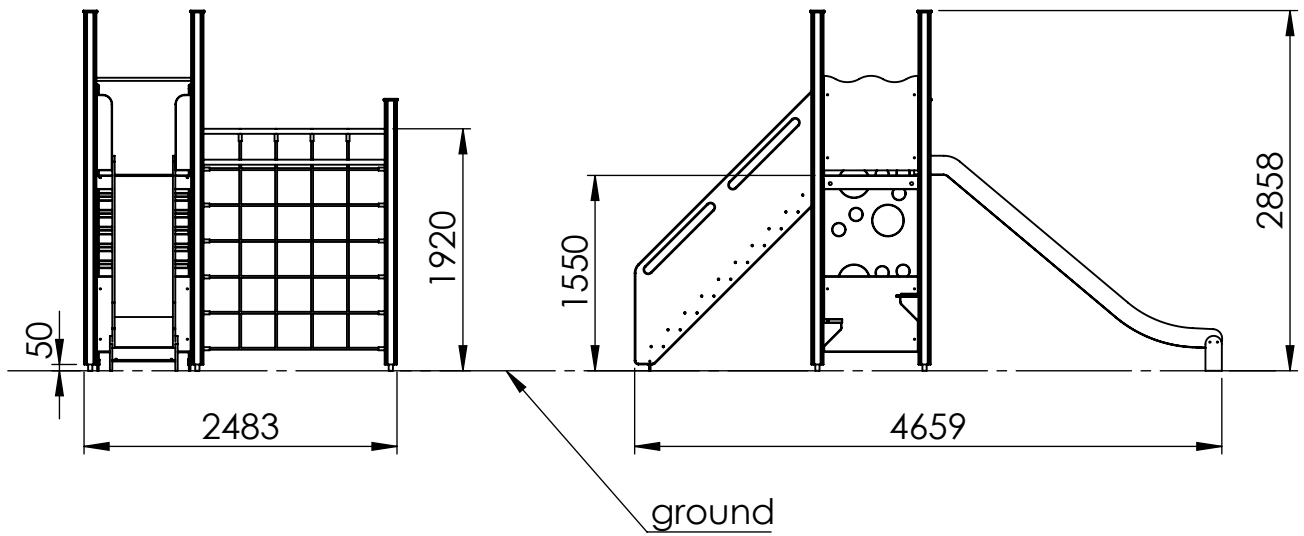
A

B

C

D

E



UNLESS OTHERWISE SPECIFIED:  
 DIMENSIONS ARE IN MILLIMETERS  
 WEIGHT ARE IN KILOGRAMM

PART NUMBER / DWG NO.:

LM214 MF

	NAME	SIGNATURE	DATE	REVISION
DRAWN	R.fedotov		10.09.2014	
APPV'D				

DESCRIPTION:

Slide HARRY



**Tiptaptap** OÜ

Tiptaptap OÜ  
 Veetorni 9,  
 Jüri alevik, Rae vald,  
 75301 Harjumaa

MATERIAL:

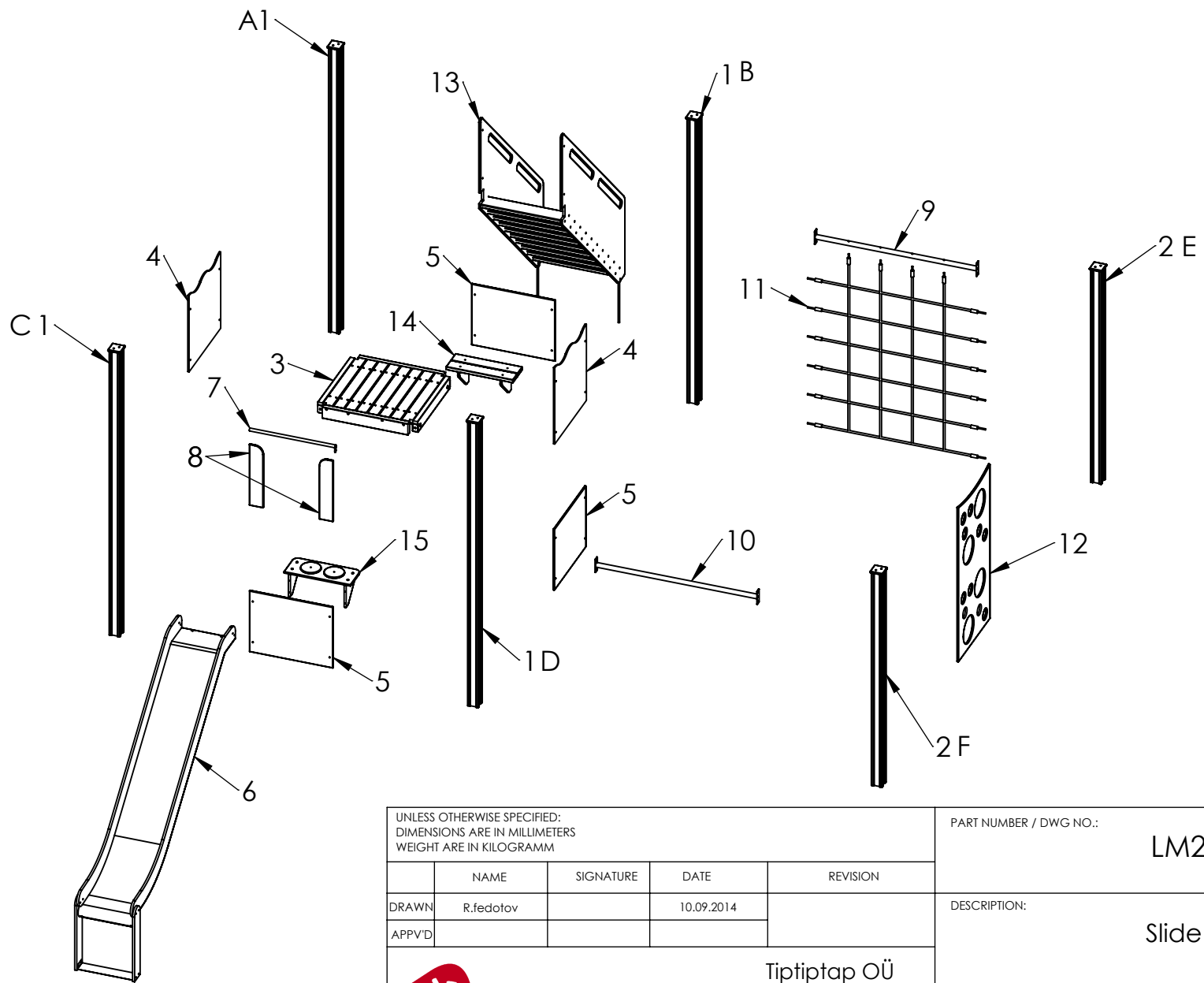
metal, plastic

A4

WEIGHT:

SCALE: 1:60

SHEET 4 OF 17



UNLESS OTHERWISE SPECIFIED:  
 DIMENSIONS ARE IN MILLIMETERS  
 WEIGHT ARE IN KILOGRAMM

	NAME	SIGNATURE	DATE	REVISION
DRAWN	R.fedotov		10.09.2014	
APPV'D				

PART NUMBER / DWG NO.:  
**LM214 MF**

DESCRIPTION:  
**Slide HARRY**




**Tiptap** OÜ  
 Tiptap OÜ  
 Veetorni 9,  
 Jüri alevik, Rae vald,  
 75301 Harjumaa

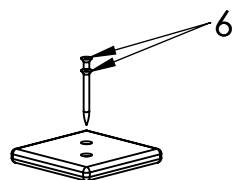
MATERIAL:	metal, plastic	A4
WEIGHT:	SCALE: 1:50	SHEET 5 OF 17

	1	2	3	4
	ITEM NO.	PART NUMBER	DESCRIPTION	Default/QTY.
A	1	post 98x98x2800	Painted aluminium	4
	2	post 98x98x2100	Painted aluminium	2
	3	Platform	laminated wood, metal	1
	4	panel 750x750	PE plastic	2
	5	panel 750x600	PE plastic	3
B	6	slide h_1550	stainless steel, PE plastic	1
	7	guardrail $\phi$ 25x770	painted steel	1
	8	panel 125x600	PE plastic	2
	9	beam 40x1455 for net	painted steel	1
	10	beam 40x1455	painted steel	1
	11	climbing net	PP covered steel wire	1
	12	climbing wall h_750x1520	PE plastic	1
	13	MF staris	Laminated wood, PE plastic	1
C	14	playcorner-bench	PE plastic	1
	15	playcorner-kitchen	PE plastic	1

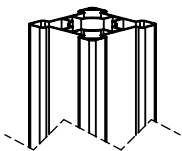
D				
E				

F	UNLESS OTHERWISE SPECIFIED: DIMENSIONS ARE IN MILLIMETERS WEIGHT ARE IN KILOGRAMM				PART NUMBER / DWG NO.:		LM214 MF	
		NAME	SIGNATURE	DATE	REVISION	DESCRIPTION: Slide HARRY		
	DRAWN	R.fedotov		10.09.2014				
	APPV'D							
	 <b>Tiptiptap</b> OÜ Tiptiptap OÜ Veetorni 9, Jüri alevik, Rae vald, 75301 Harjumaa					MATERIAL:		metal, plastic
					WEIGHT:		SCALE: 1:8	SHEET 6 OF 17

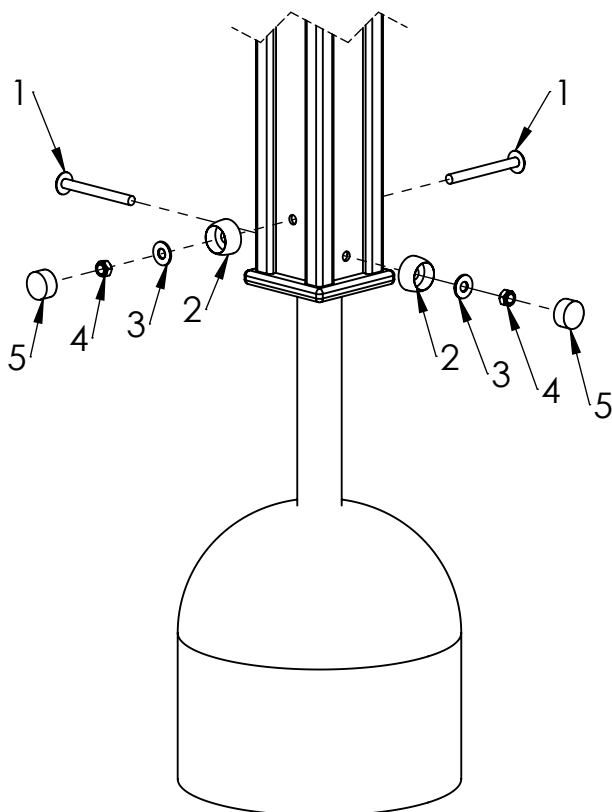
A



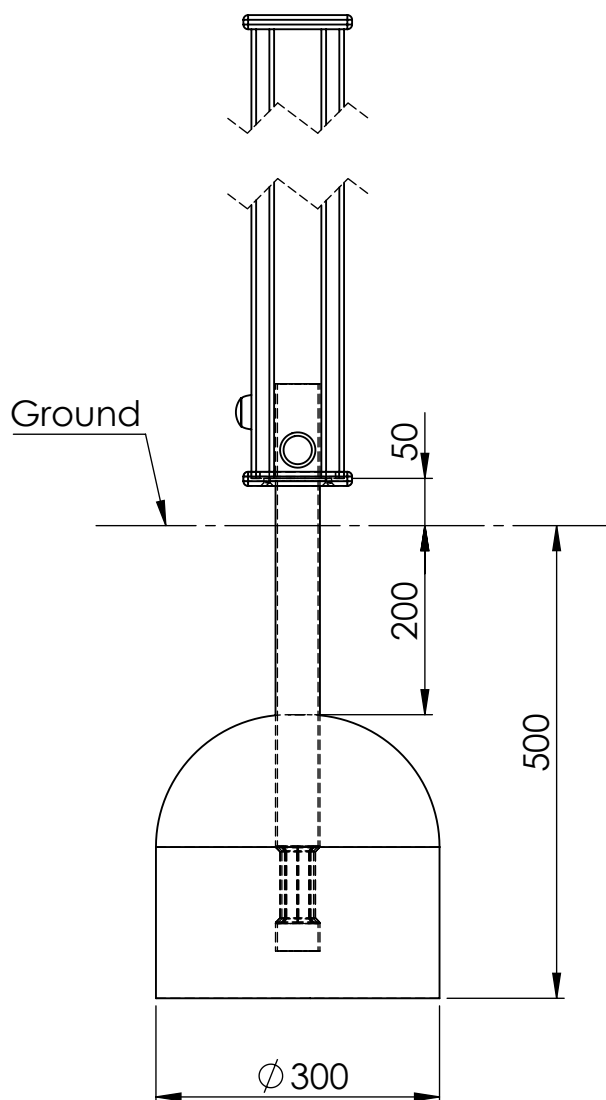
B



C



D



E

ITEM NO.	PART NUMBER
1	bolt DIN603 M10x100
2	nut cover M12
3	Washer M10 DIN7349
4	nut DIN985 M10
5	nut cover cap M12
6	woodscrew 6x60

UNLESS OTHERWISE SPECIFIED:  
DIMENSIONS ARE IN MILLIMETERS  
WEIGHT ARE IN KILOGRAMM

PART NUMBER / DWG NO.:

LM214 MF

	NAME	SIGNATURE	DATE	REVISION
DRAWN	R.fedotov		10.09.2014	
APPV'D				

DESCRIPTION:

Slide HARRY

connecting metal ground fixing to aluminium post

MATERIAL:

metal, plastic

A4

WEIGHT:

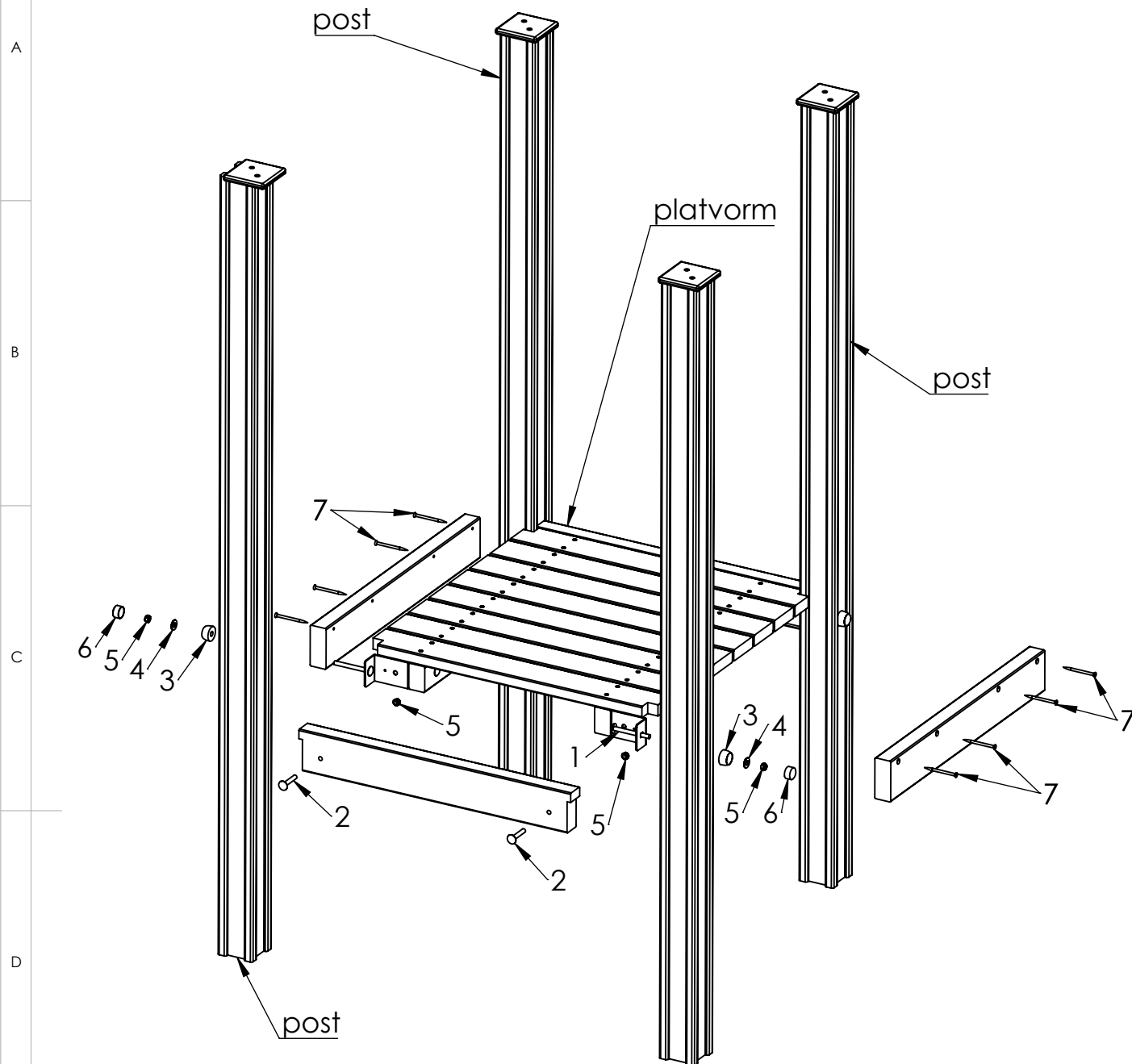
SCALE: 1:8

SHEET 7 OF 17



**Tiptaptap** OÜ

Tiptaptap OÜ  
Veetorni 9,  
Jüri alevik, Rae vald,  
75301 Harjumaa



ITEM NO.	PART NUMBER
1	bolt DIN603 M10x100
2	bolt DIN603 M10x60
3	nut cover M12
4	Washer M10 DIN7349
5	nut DIN985 M10
6	nut cover cap M12
7	Woodscrew 6 x 90

UNLESS OTHERWISE SPECIFIED:  
DIMENSIONS ARE IN MILLIMETERS  
WEIGHT ARE IN KILOGRAMM

PART NUMBER / DWG NO.:

LM214 MF

	NAME	SIGNATURE	DATE	REVISION
DRAWN	R.fedotov		10.09.2014	
APPV'D				

DESCRIPTION:

Slide HARRY  
connecting platform to post

MATERIAL:

metal, plastic

A4

WEIGHT:

SCALE: 1:15

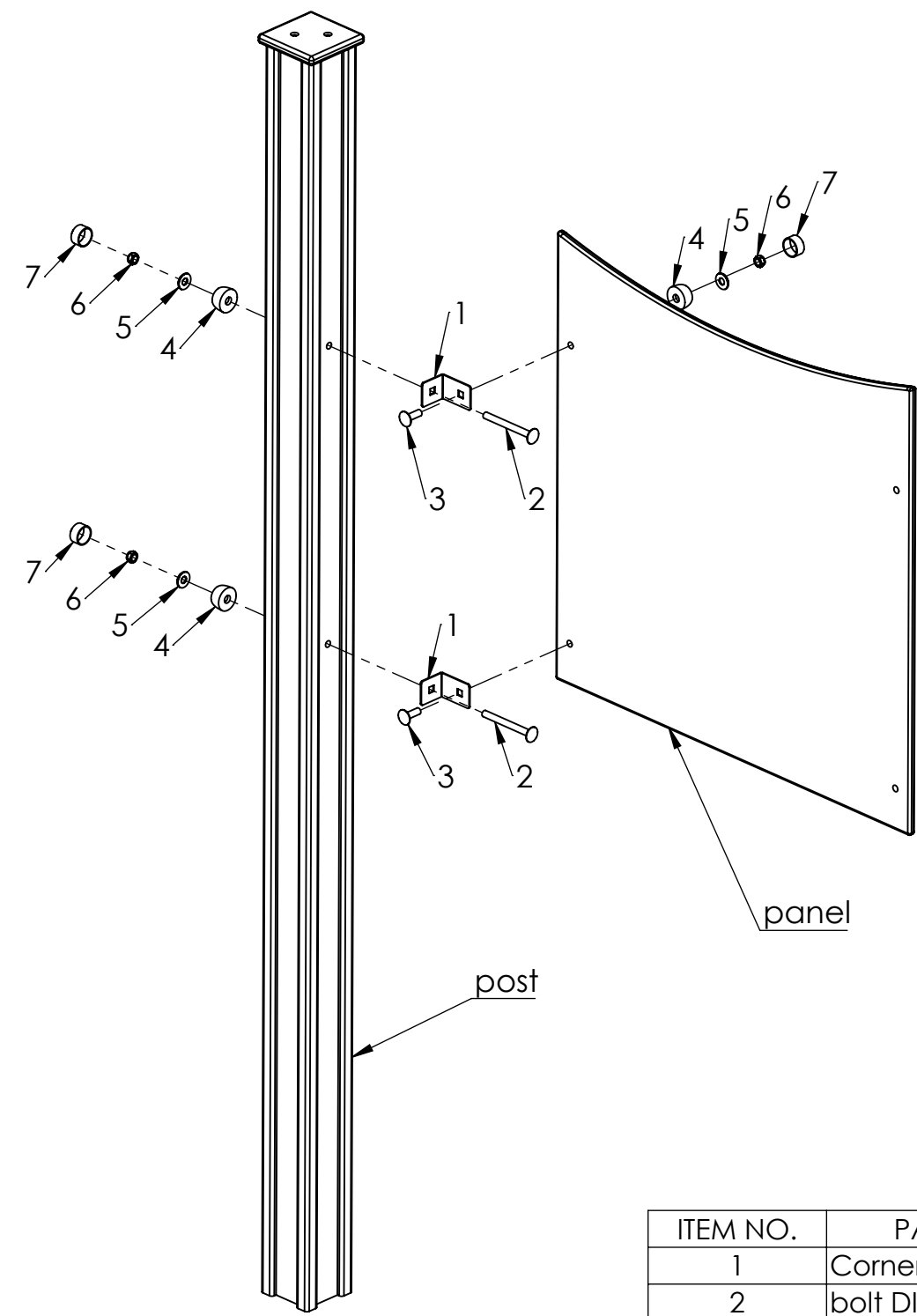
SHEET 8 OF 17



**Tiptap** OÜ

Tiptap OÜ  
Veetorni 9,  
Jüri alevik, Rae vald,  
75301 Harjumaa





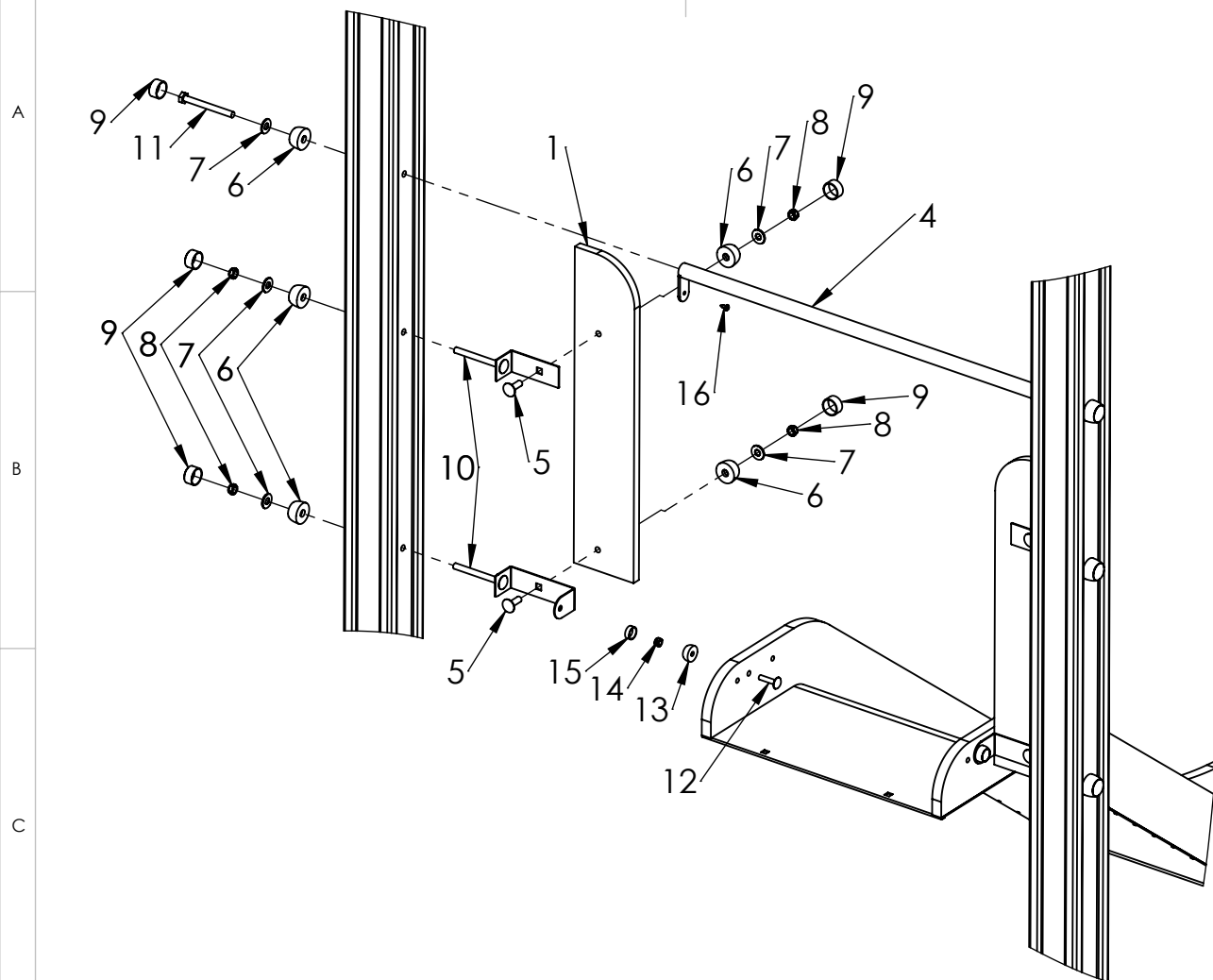
ITEM NO.	PART NUMBER
1	Corner 90°
2	bolt DIN603 M10x100
3	bolt DIN603 M10x30
4	nut cover M12
5	Washer M10 DIN7349
6	nut DIN985 M10
7	nut cover cap M12

UNLESS OTHERWISE SPECIFIED: DIMENSIONS ARE IN MILLIMETERS WEIGHT ARE IN KILOGRAMM				
	NAME	SIGNATURE	DATE	REVISION
DRAWN	R.fedotov		10.09.2014	
APPV'D				

PART NUMBER / DWG NO.:		LM214 MF	
DESCRIPTION:			
Slide HARRY connecting panel to post			
MATERIAL:		metal, plastic	A4
WEIGHT:		SCALE: 1:10	SHEET 9 OF 17



**Tiptap** OÜ  
 Veetorni 9,  
 Jüri alevik, Rae vald,  
 75301 Harjumaa



ITEM NO.	PART NUMBER
1	slide side panel 125x600
2	slide side panel fixing 40x100
3	slide side panel fixing 40x135
4	guardrail $\varnothing$ 25x770
5	bolt DIN603 M10x30
6	nut cover M12
7	Washer M10 DIN7349
8	nut DIN985 M10
9	nut cover cap M12
10	bolt DIN603 M10x100
11	bolt DIN931 M10x100
12	bolt DIN603 M8x35
13	nut cover M8
14	nut DIN985 M8
15	nut cover cap M8
16	wood screw 4,8x13

UNLESS OTHERWISE SPECIFIED:  
DIMENSIONS ARE IN MILLIMETERS  
WEIGHT ARE IN KILOGRAMM

PART NUMBER / DWG NO.:

LM214 MF

	NAME	SIGNATURE	DATE	REVISION
DRAWN	R.fedotov		10.09.2014	
APPV'D				

DESCRIPTION:

Slide HARRY  
connecting slide guard block to post

MATERIAL:

metal, plastic

A4

WEIGHT:

SCALE: 1:12

SHEET 10 OF 17



**Tiptap** OÜ

Tiptap OÜ  
Veetorni 9,  
Jüri alevik, Rae vald,  
75301 Harjumaa

A

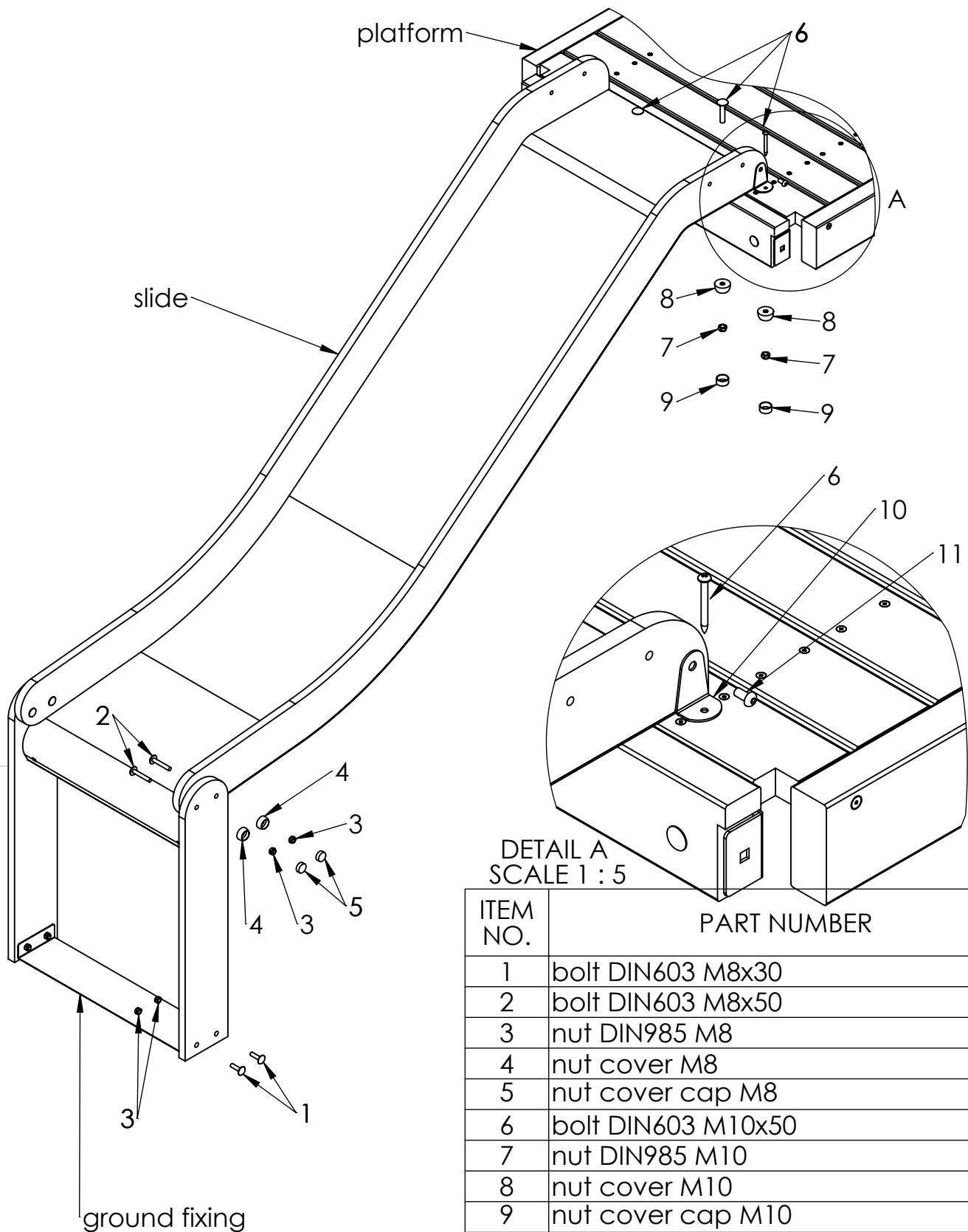
B

C

D

E

F



DETAIL A  
SCALE 1 : 5

ITEM NO.	PART NUMBER
1	bolt DIN603 M8x30
2	bolt DIN603 M8x50
3	nut DIN985 M8
4	nut cover M8
5	nut cover cap M8
6	bolt DIN603 M10x50
7	nut DIN985 M10
8	nut cover M10
9	nut cover cap M10
10	corner 58x30
11	metal screw DIN 7380 M8x16
12	screw DIN7996 6x60

UNLESS OTHERWISE SPECIFIED:  
DIMENSIONS ARE IN MILLIMETERS  
WEIGHT ARE IN KILOGRAMM

	NAME	SIGNATURE	DATE	REVISION
DRAWN	R.fedotov		10.09.2014	
APPV'D				

PART NUMBER / DWG NO.:

LM214 MF

DESCRIPTION:

Slide HARRY  
connecting slide to platform

MATERIAL:

metal, plastic

A4

WEIGHT:

SCALE: 1:12

SHEET 11 OF 17



**Tiptiptap** OÜ

Tiptiptap OÜ  
Veetorni 9,  
Jüri alevik, Rae vald,  
75301 Harjumaa

A

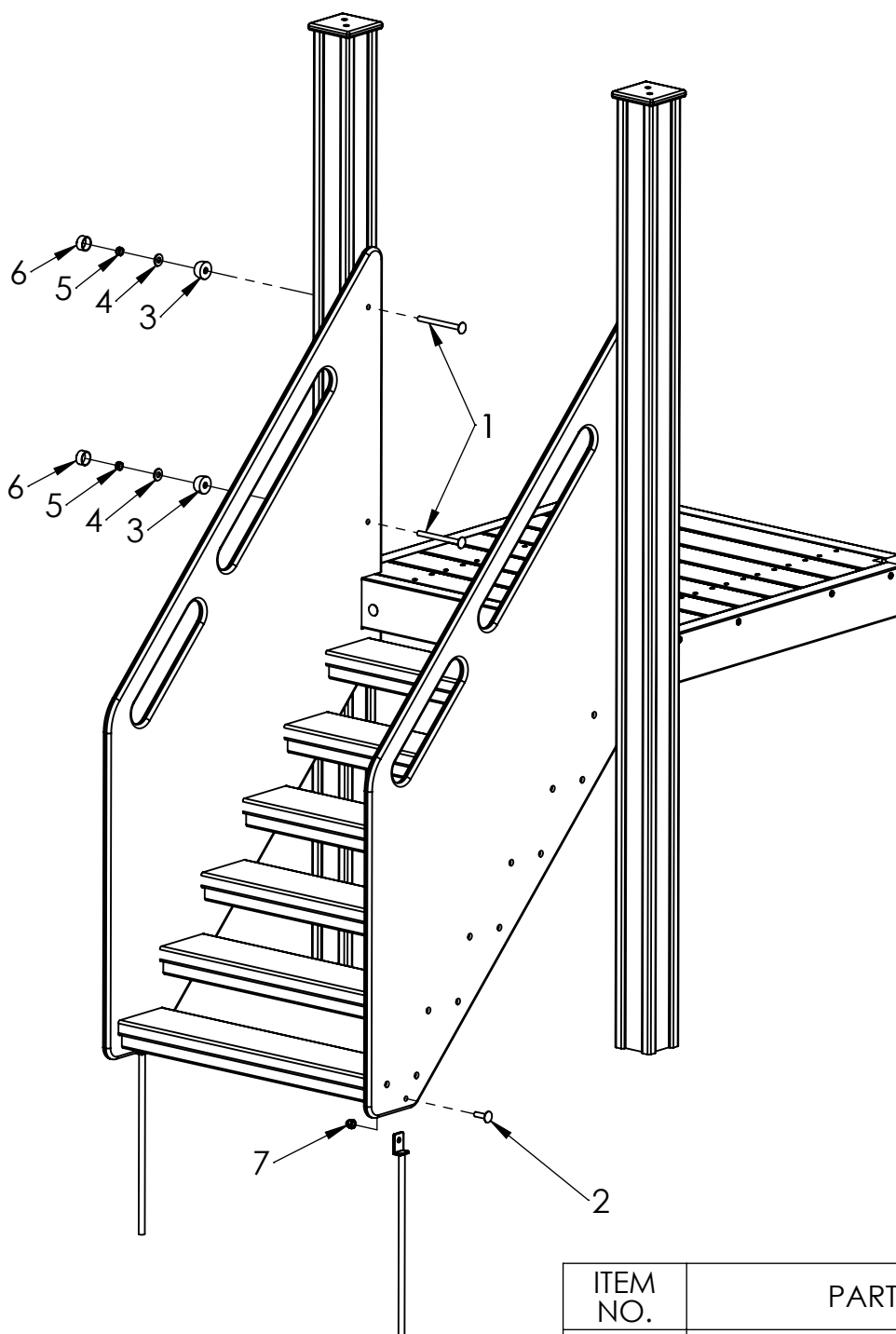
B

C

D

E

F



ITEM NO.	PART NUMBER
1	bolt DIN603 M10x120
2	bolt DIN603 M10x35
3	nut cover M12
4	Washer M10 DIN7349
5	nut DIN985 M10
6	nut cover cap M12
7	domed cap nut DIN1587 M10

UNLESS OTHERWISE SPECIFIED:  
DIMENSIONS ARE IN MILLIMETERS  
WEIGHT ARE IN KILOGRAMM

	NAME	SIGNATURE	DATE	REVISION
DRAWN	R.fedotov		10.09.2015	
APPV'D				

PART NUMBER / DWG NO.:

LM214 MF

DESCRIPTION:

Slide HARRY  
Connecting stairs to post

MATERIAL:

metal, plastic

A4

WEIGHT:

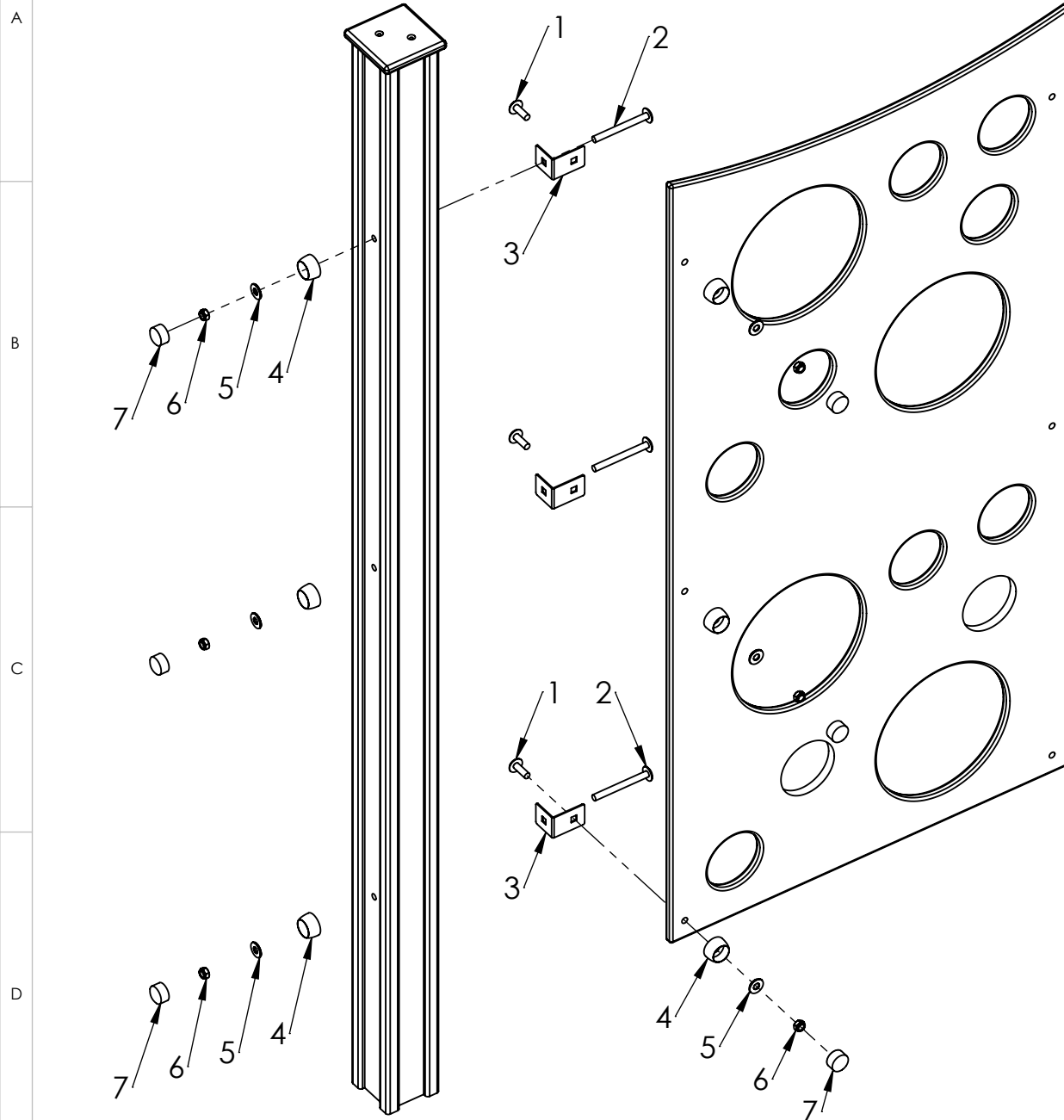
SCALE: 1:15

SHEET 12 OF 17



**Tiptap** OÜ

Tiptap OÜ  
Veetorni 9,  
Jüri alevik, Rae vald,  
75301 Harjumaa



ITEM NO.	PART NUMBER
1	bolt DIN603 M10x30
2	bolt DIN603 M10x100
3	Corner 90°
4	nut cover M12
5	Washer M10 DIN7349
6	nut DIN985 M10
7	nut cover cap M12

UNLESS OTHERWISE SPECIFIED:  
DIMENSIONS ARE IN MILLIMETERS  
WEIGHT ARE IN KILOGRAMM

PART NUMBER / DWG NO.:

LM214 MF

	NAME	SIGNATURE	DATE	REVISION
DRAWN	R.fedotov		10.09.2015	
APPV'D				

DESCRIPTION:

Slide HARRY  
Connecting climbing wall to post

MATERIAL:

metal, plastic

A4

WEIGHT:

SCALE: 1:10

SHEET 13 OF 17



**Tiptap** OÜ

Tiptap OÜ  
Veetorni 9,  
Jüri alevik, Rae vald,  
75301 Harjumaa

A

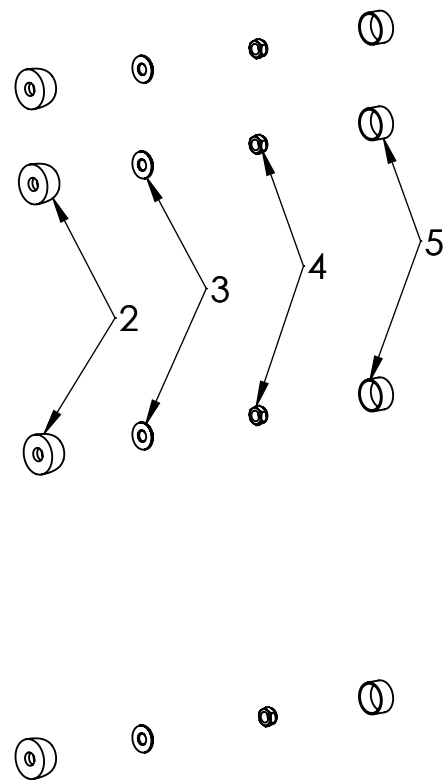
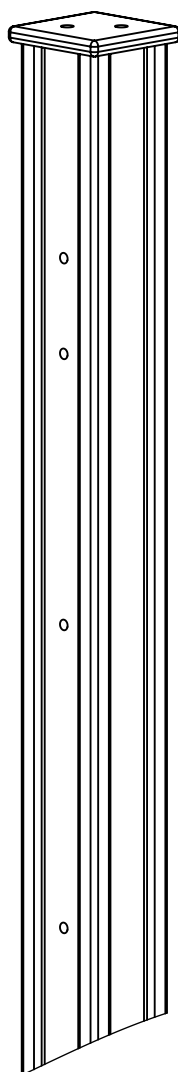
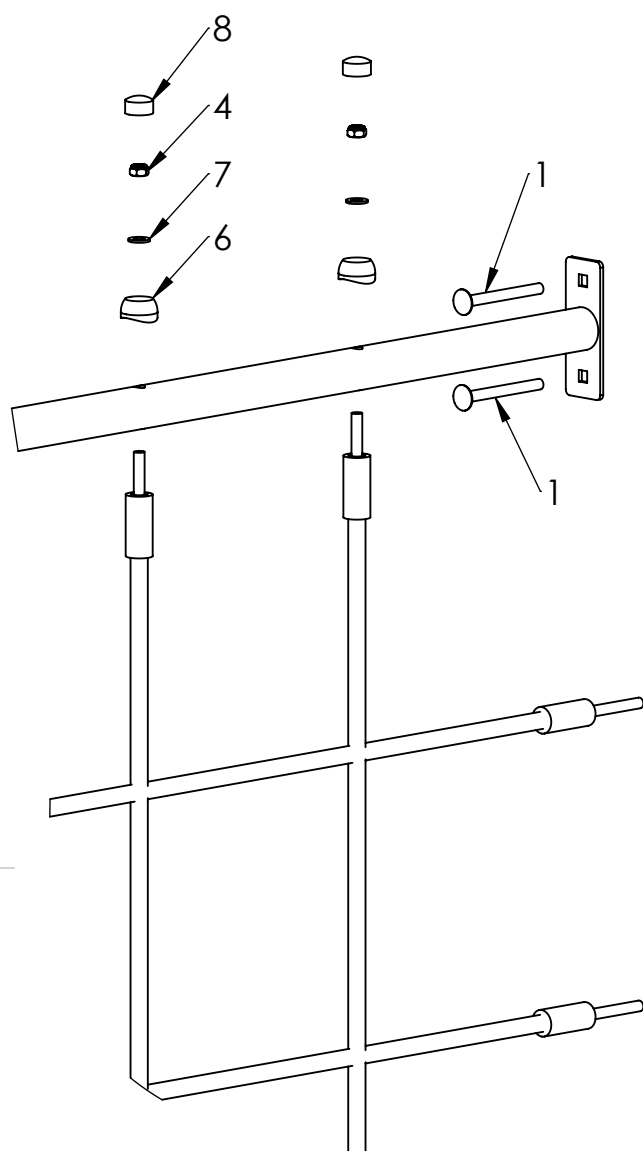
B

C

D

E

F



ITEM NO.	PART NUMBER
1	bolt DIN603 M10x100
2	nut cover M12
3	Washer M10 DIN7349
4	nut DIN985 M10
5	nut cover cap M12
6	nut cover for beam M10
7	washer M10
8	nut cover cap M10

UNLESS OTHERWISE SPECIFIED:  
DIMENSIONS ARE IN MILLIMETERS  
WEIGHT ARE IN KILOGRAMM

	NAME	SIGNATURE	DATE	REVISION
DRAWN	R.fedotov		10.09.2014	
APPV'D				

PART NUMBER / DWG NO.:

LM214 MF

DESCRIPTION:

Slide HARRY

Connecting beam and climbing net to post

MATERIAL:

metal, plastic

A4

WEIGHT:

SCALE: 1:7

SHEET 14 OF 17



**Tiptaptap** OÜ

Tiptaptap OÜ  
Veetorni 9,  
Jüri alevik, Rae vald,  
75301 Harjumaa

A

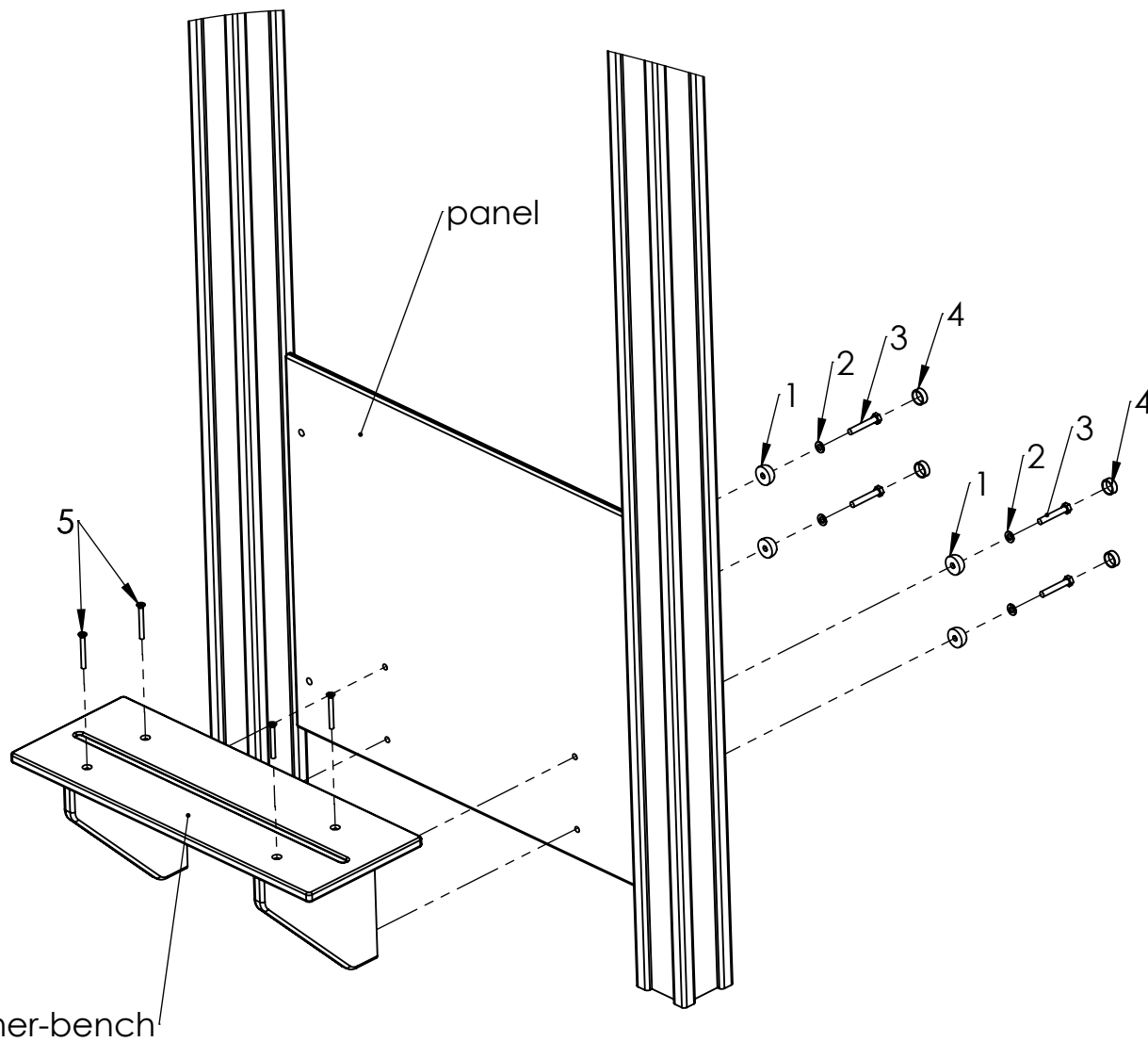
B

C

D

E

F



playcorner-bench

ITEM NO.	PART NUMBER
1	nut cover M8
2	washer M8
3	bolt DIN933 M8x50
4	nut cover cap M8
5	DIN7991 M6x50

UNLESS OTHERWISE SPECIFIED:  
DIMENSIONS ARE IN MILLIMETERS  
WEIGHT ARE IN KILOGRAMM

PART NUMBER / DWG NO.:

LM214 MF

	NAME	SIGNATURE	DATE	REVISION
DRAWN	R.fedotov		10.09.2015	
APPV'D				

DESCRIPTION:

Slide HARRY  
connecting playcorner-bench to panel

MATERIAL:

metal, plastic

A4

WEIGHT:

SCALE: 1:10

SHEET 15 OF 17



**Tiptap** OÜ

Tiptap OÜ  
Veetorni 9,  
Jüri alevik, Rae vald,  
75301 Harjumaa

A

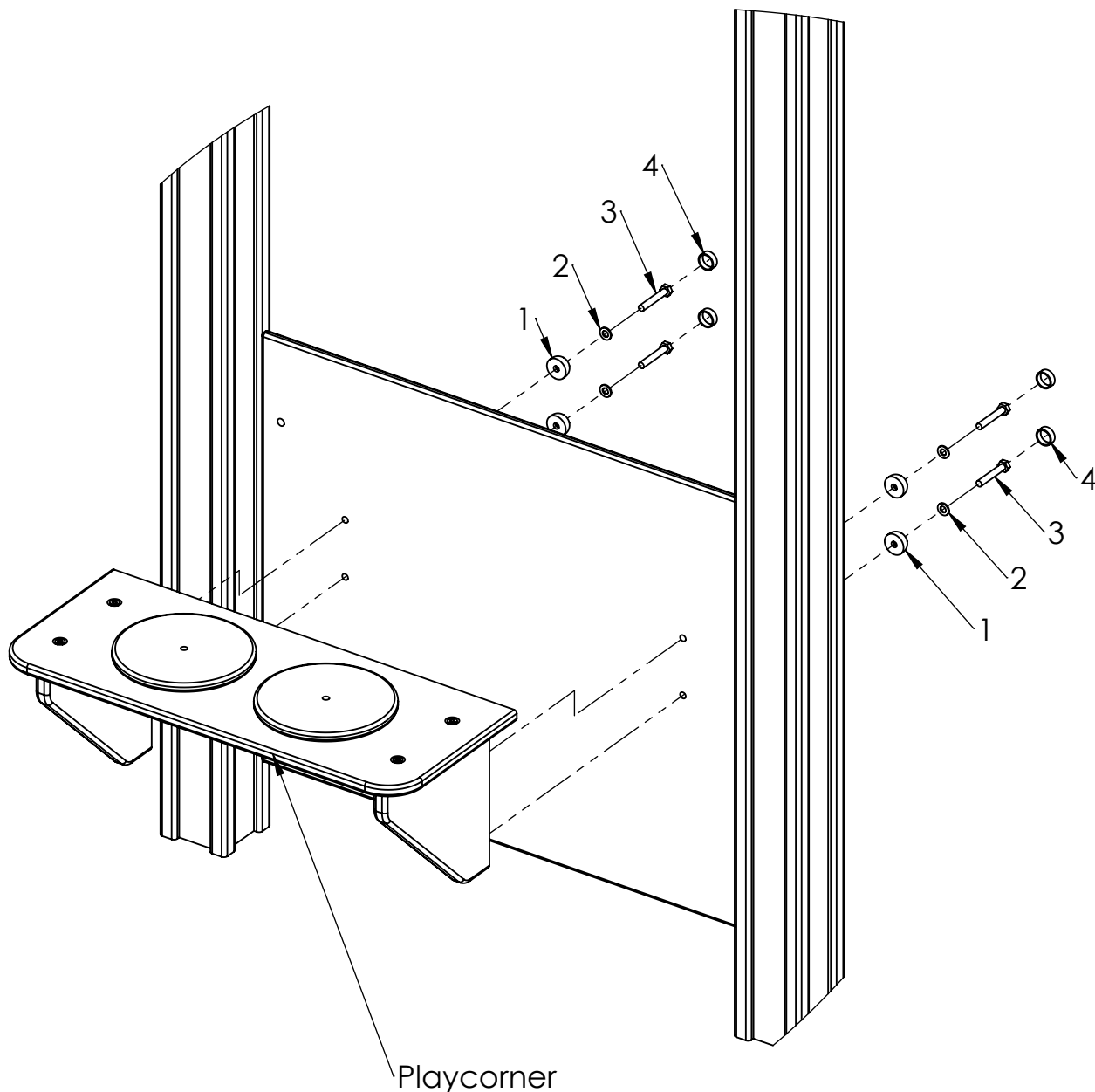
B

C

D

E

F



Playcorner

ITEM NO.	PART NUMBER
1	nut cover M8
2	washer M8
3	bolt DIN933 M8x50
4	nut cover cap M8

UNLESS OTHERWISE SPECIFIED:  
DIMENSIONS ARE IN MILLIMETERS  
WEIGHT ARE IN KILOGRAMM

PART NUMBER / DWG NO.:

LM214 MF

	NAME	SIGNATURE	DATE	REVISION
DRAWN	R.fedotov		10.09.2015	
APPV'D				

DESCRIPTION:

Slide HARRY  
connecting playcorner-kitchen to panel

MATERIAL:

metal, plastic

A4

WEIGHT:

SCALE: 1:8

SHEET 16 OF 17



**Tiptap** OÜ

Tiptap OÜ  
Veetorni 9,  
Jüri alevik, Rae vald,  
75301 Harjumaa



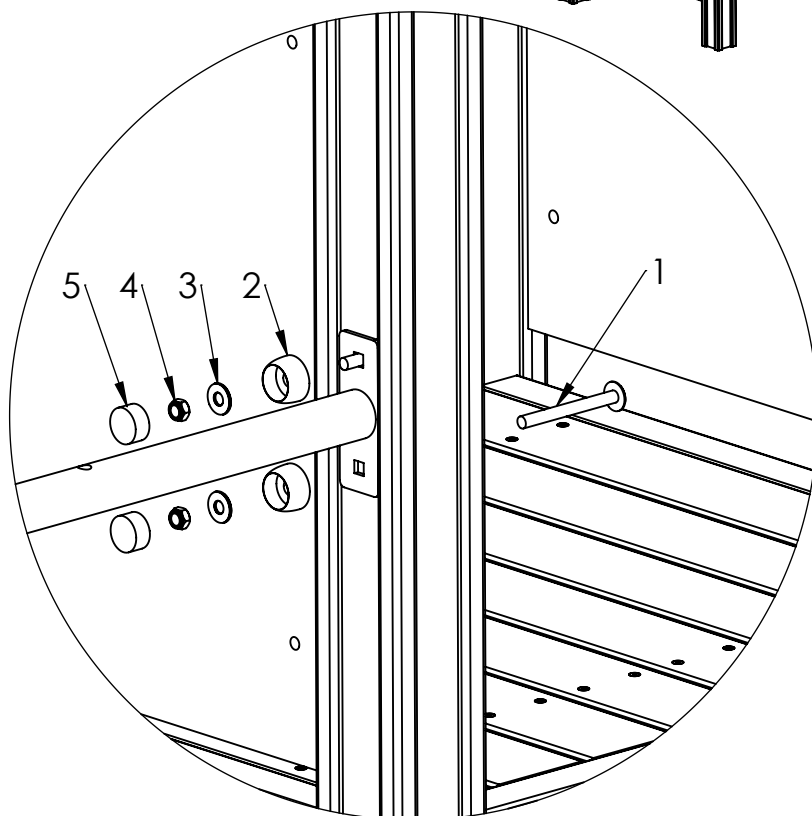
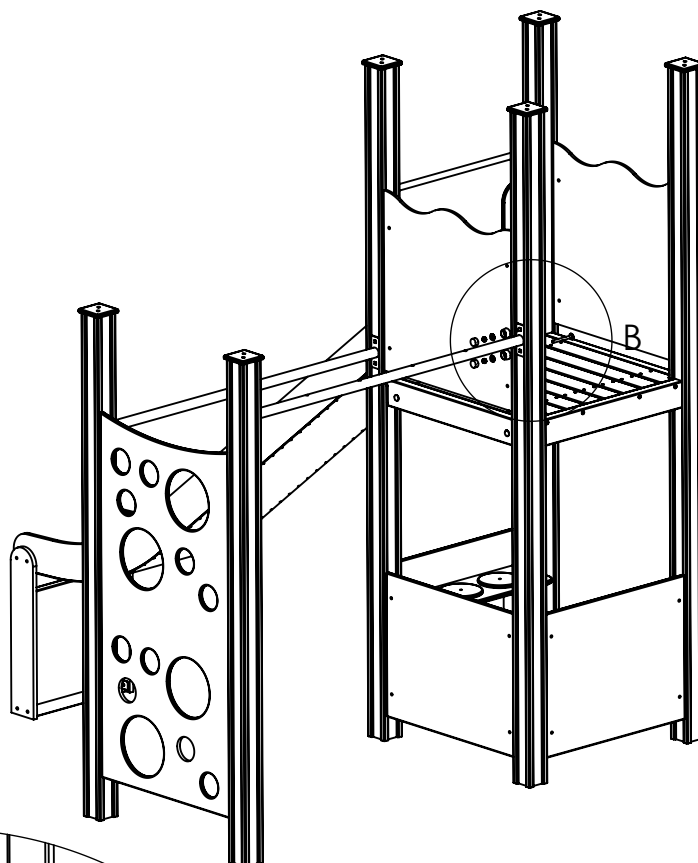
A

B

C

D

E



DETAIL B  
SCALE 1 : 6

ITEM NO.	PART NUMBER
1	bolt DIN603 M10x100
2	nut cover M12
3	Washer M10 DIN7349
4	nut DIN985 M10
5	nut cover cap M12

UNLESS OTHERWISE SPECIFIED:  
DIMENSIONS ARE IN MILLIMETERS  
WEIGHT ARE IN KILOGRAMM

PART NUMBER / DWG NO.:

LM214 MF

	NAME	SIGNATURE	DATE	REVISION
DRAWN	R.fedotov		10.09.2015	
APPV'D				

DESCRIPTION:

Slide HARRY  
connecting net beam to post B

MATERIAL:

metal, plastic

A4

WEIGHT:

SCALE: 1:30

SHEET 17 OF 17



**Tiptiptap** OÜ

Tiptiptap OÜ  
Veetorni 9,  
Jüri alevik, Rae vald,  
75301 Harjumaa