

A

B

C

D

E

F



UNLESS OTHERWISE SPECIFIED:
DIMENSIONS ARE IN MILLIMETERS
WEIGHT ARE IN KILOGRAMM

PART NUMBER / DWG NO.:

LM213

	NAME	SIGNATURE	DATE	REVISION
DRAWN	M.Rebase		16.07.2015	
APPV'D				

DESCRIPTION:

Play Centre DANIEL



Tiptaptap OÜ

Tiptaptap OÜ
Veetorni 9,
Jüri alevik, Rae vald,
75301 Harjumaa

MATERIAL:

wood, metal, plastic

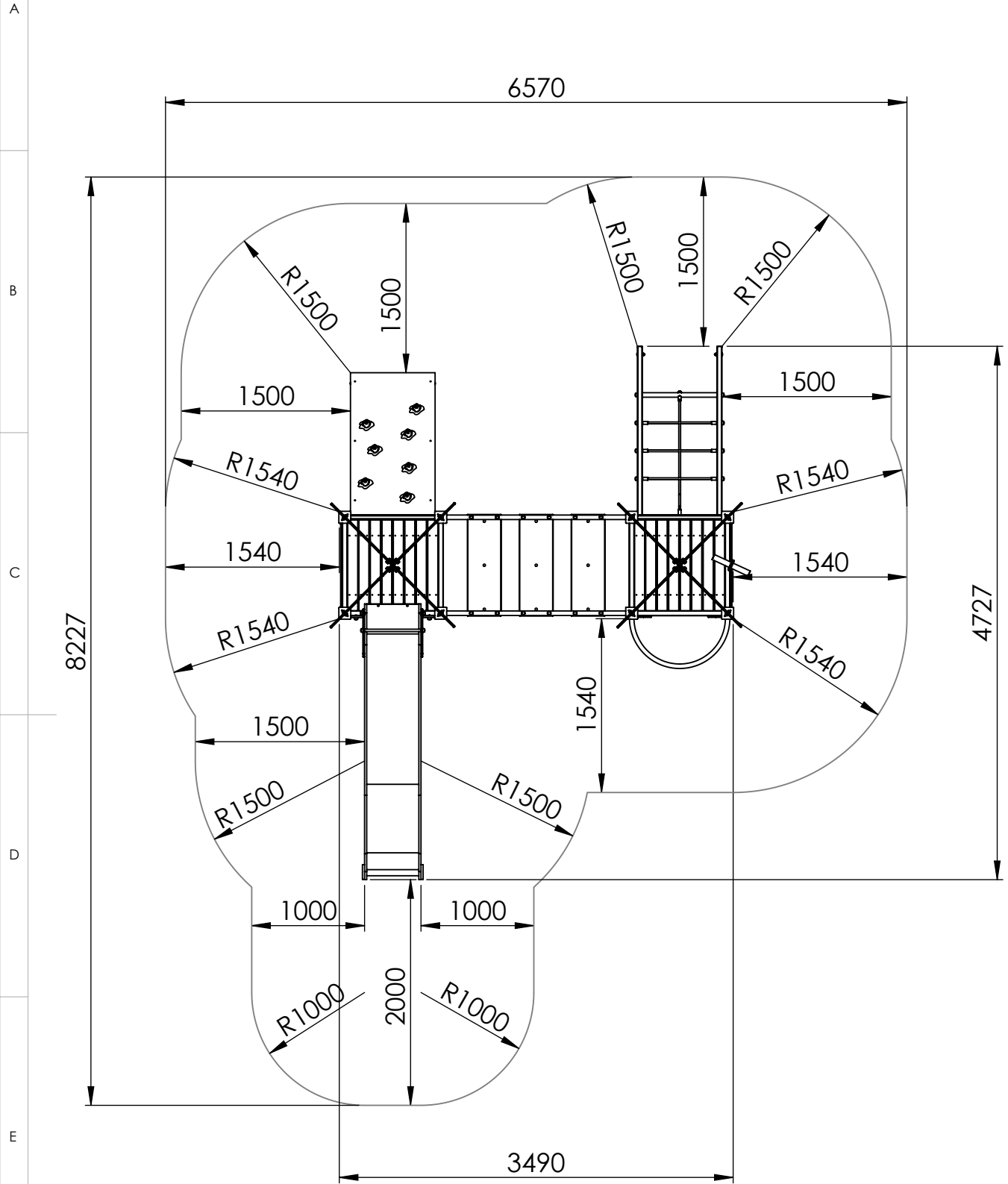
A4

WEIGHT:

SCALE: 1:30

SHEET 1 OF 19

safety area



UNLESS OTHERWISE SPECIFIED:
DIMENSIONS ARE IN MILLIMETERS
WEIGHT ARE IN KILOGRAMM

PART NUMBER / DWG NO.:

LM213

	NAME	SIGNATURE	DATE	REVISION
DRAWN	M.Rebase		16.07.2015	
APPV'D				

DESCRIPTION:

Play Centre DANIEL



Tiptaptap OÜ

Tiptaptap OÜ
Veetorni 9,
Jüri alevik, Rae vald,
75301 Harjumaa

MATERIAL:

wood, metal, plastic

A4

WEIGHT:

SCALE: 1:50

SHEET 2 OF 19

foundation

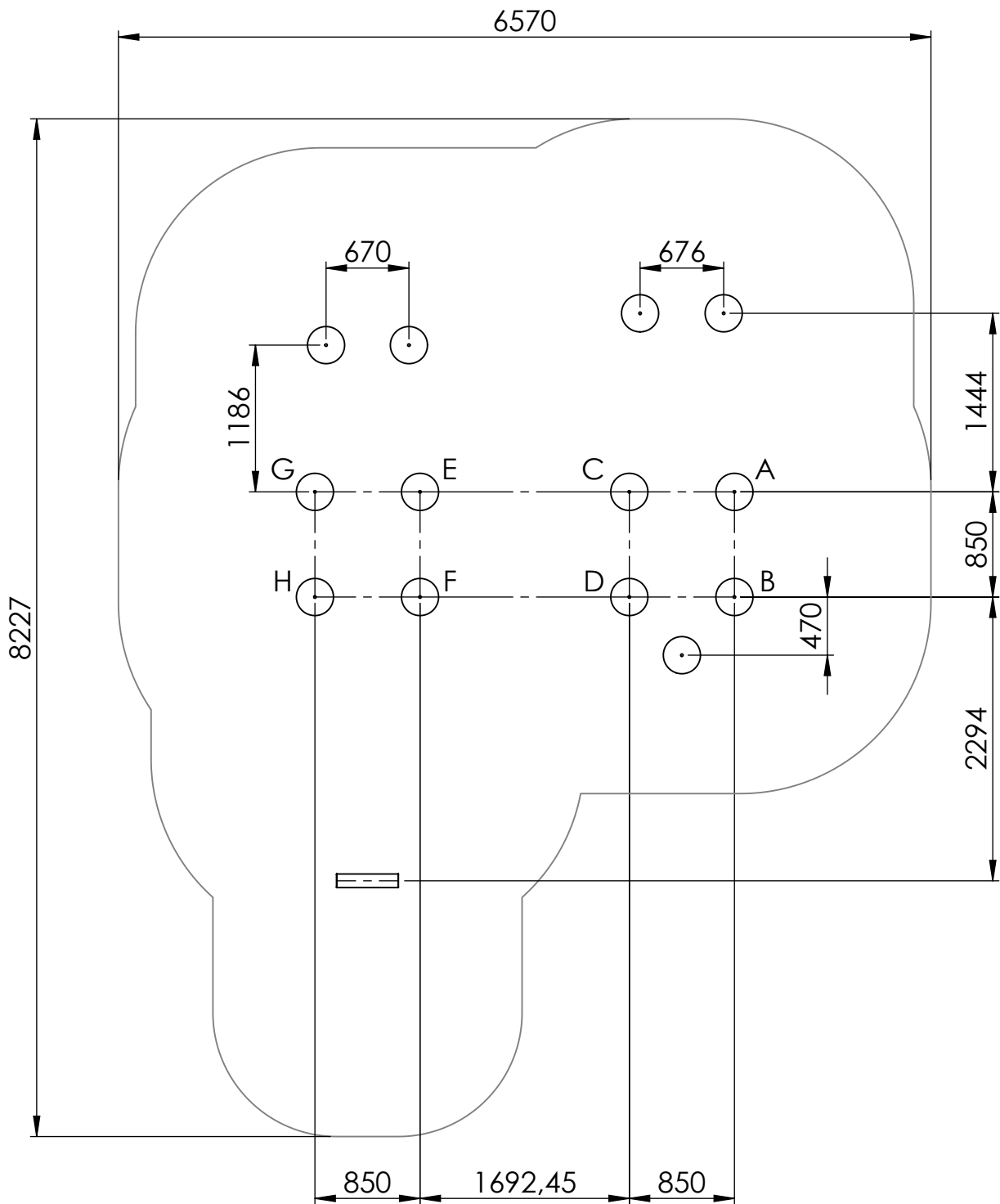
A

B

C

D

E



depth of foundation 500mm

UNLESS OTHERWISE SPECIFIED:
DIMENSIONS ARE IN MILLIMETERS
WEIGHT ARE IN KILOGRAMM

PART NUMBER / DWG NO.:

LM213

	NAME	SIGNATURE	DATE	REVISION
DRAWN	M.Rebase		16.07.2015	
APPV'D				

DESCRIPTION:

Play Centre DANIEL



Tiptaptap OÜ

Tiptaptap OÜ
Veetorni 9,
Jüri alevik, Rae vald,
75301 Harjumaa

MATERIAL:

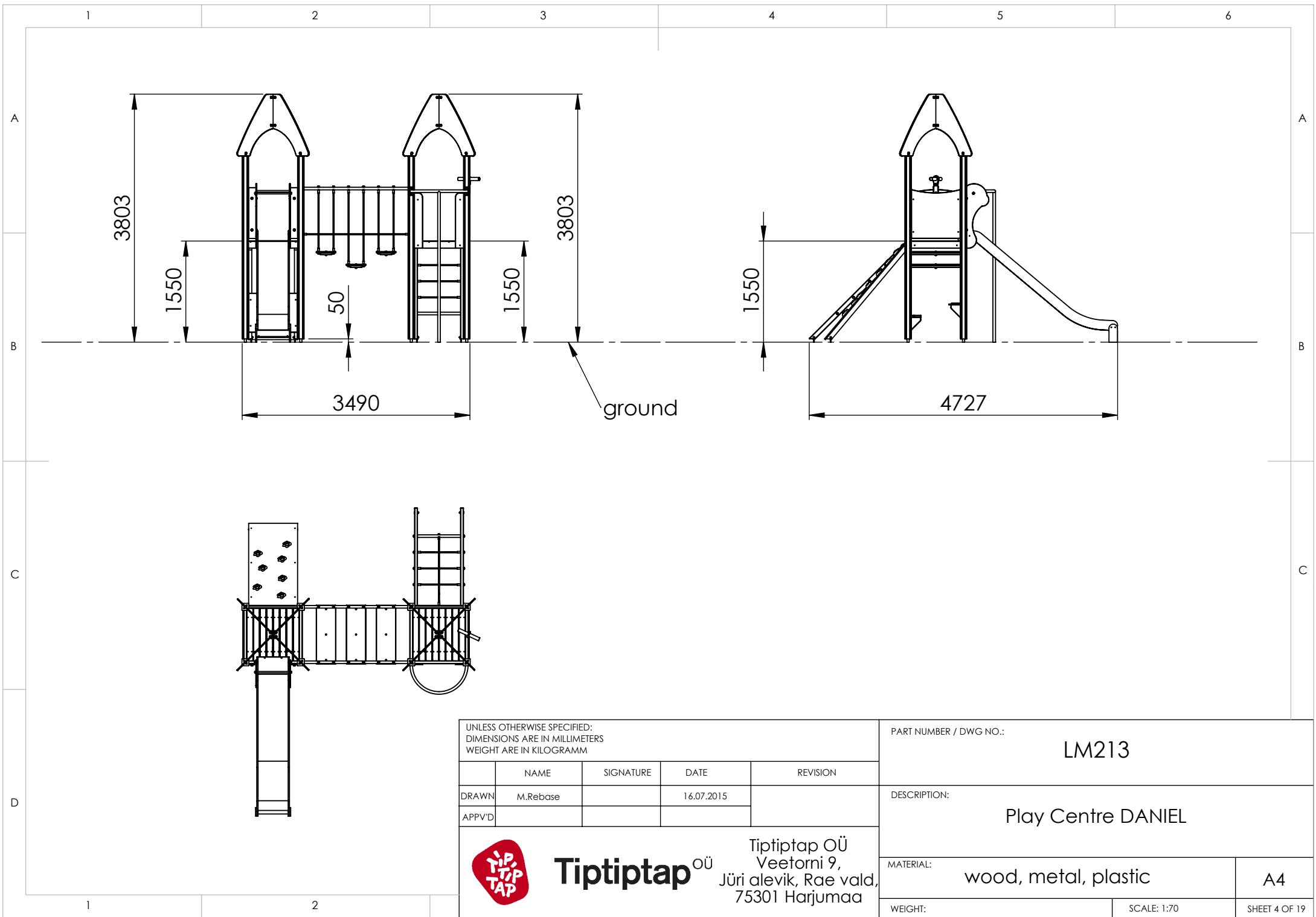
wood, metal, plastic

A4

WEIGHT:

SCALE: 1:50

SHEET 3 OF 19



UNLESS OTHERWISE SPECIFIED:
 DIMENSIONS ARE IN MILLIMETERS
 WEIGHT ARE IN KILOGRAMM

	NAME	SIGNATURE	DATE	REVISION
DRAWN	M.Rebase		16.07.2015	
APPV'D				

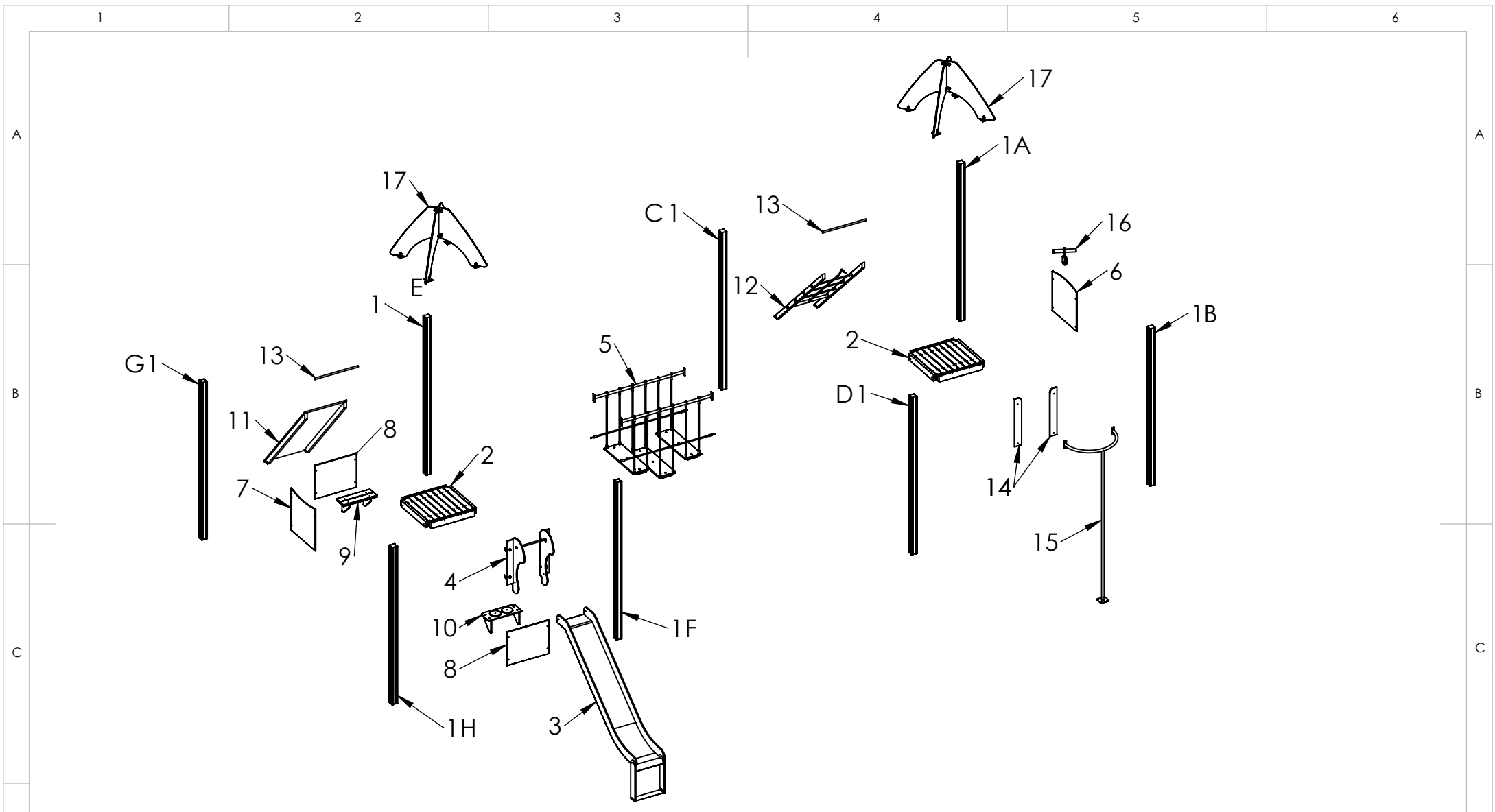
PART NUMBER / DWG NO.:
LM213


DESCRIPTION:
Play Centre DANIEL



Tiptaptap OÜ
 Veetorni 9,
 Jüri alevik, Rae vald,
 75301 Harjumaa

MATERIAL:	wood, metal, plastic	A4
WEIGHT:		SCALE: 1:70
		SHEET 4 OF 19



UNLESS OTHERWISE SPECIFIED: DIMENSIONS ARE IN MILLIMETERS WEIGHT ARE IN KILOGRAMM					PART NUMBER / DWG NO.: LM213	
	NAME	SIGNATURE	DATE	REVISION	DESCRIPTION: Play Centre DANIEL	
DRAWN	M.Rebase		16.07.2015		MATERIAL: wood, metal, plastic	
APPV'D					A4	
 Tiptaptap OÜ Tiptaptap OÜ Veetorni 9, Jüri alevik, Rae vald, 75301 Harjumaa					WEIGHT:	
					SCALE: 1:80	
					SHEET 5 OF 19	

ITEM NO.	PART NUMBER	DESCRIPTION	QTY.
1	post 98x98x2800	laminated wood	8
2	platform	laminated wood, metal	2
3	slide h_1550	stainless steel, PE plastic	1
4	slide guard block	plywood, metal, plastic	1
5	bridge	plywood, metal	1
6	panel 750x750	plywood	1
7	panel 750x750	plywood	1
8	panel 750x600	plywood	2
9	playcorner-bench	laminated wood, plastic	1
10	playcorner-kitchen	plywood, plastic	1
11	climbing ramp	plywood	1
12	inclined climbing net	wood, PE covered steel wire	1
13	guardrail Ø25x770	painted steel	2
14	panel 850x126	plywood	2
15	climbing pole	painted steel	1
16	spyglass	PE plastic	1
17	roof	plywood	2



UNLESS OTHERWISE SPECIFIED:
DIMENSIONS ARE IN MILLIMETERS
WEIGHT ARE IN KILOGRAMM

PART NUMBER / DWG NO.:
LM213

	NAME	SIGNATURE	DATE	REVISION
DRAWN	M.Rebase		16.07.2015	
APPV'D				

DESCRIPTION:
Play Centre DANIEL



Tiptiptap OÜ
Veetorni 9,
Jüri alevik, Rae vald,
75301 Harjumaa

MATERIAL:	wood, metal, plastic	A4
WEIGHT:		SCALE: 1:80
		SHEET 6 OF 19

A

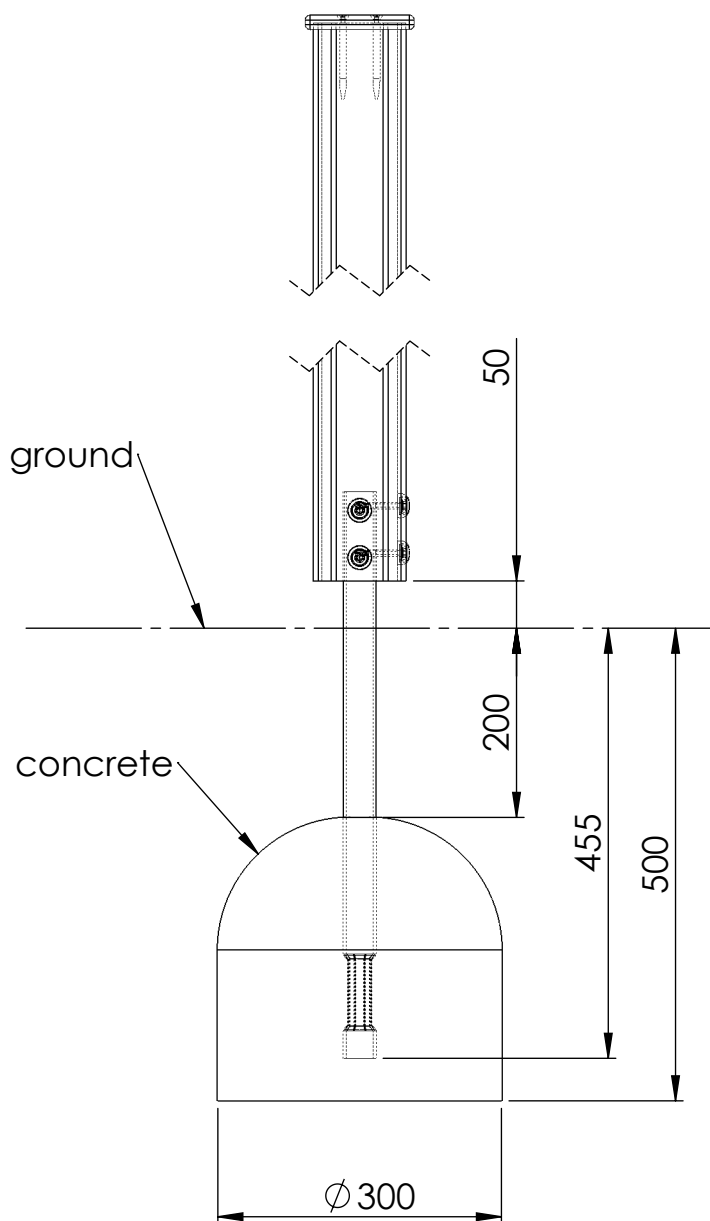
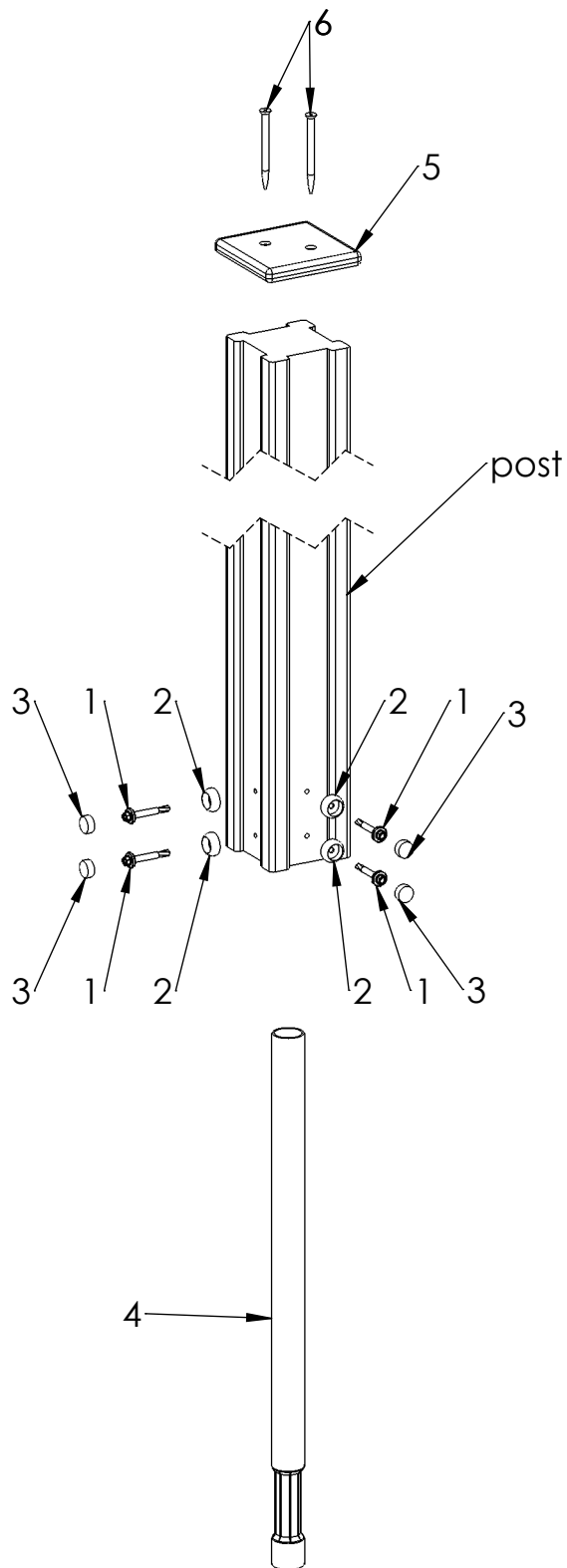
B

C

D

E

F



ITEM NO.	PART NUMBER
1	screw DIN7504K 5,5x50
2	nut cover M6
3	nut cover cap M6
4	metal ground fixing L_600
5	plastic cap 115x115
6	woodscrew 6 x 90

UNLESS OTHERWISE SPECIFIED:
DIMENSIONS ARE IN MILLIMETERS
WEIGHT ARE IN KILOGRAMM

PART NUMBER / DWG NO.:

LM213

	NAME	SIGNATURE	DATE	REVISION
DRAWN	M.Rebase		16.07.2015	
APPV'D				

DESCRIPTION:

Play Centre DANIEL
connecting metal ground fixing to post

MATERIAL:

wood, metal, plastic

A4

WEIGHT:

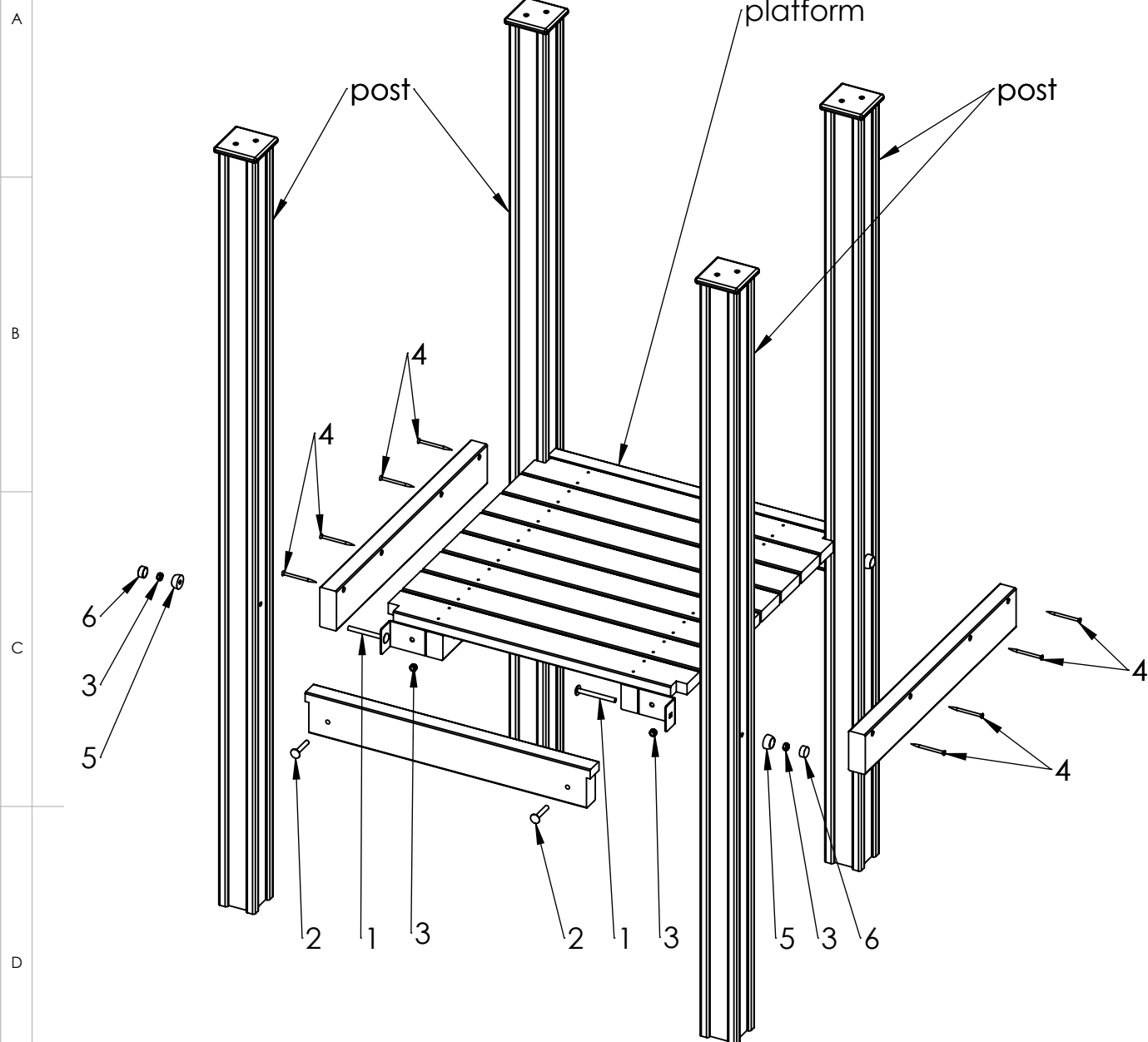
SCALE: 1:8

SHEET 7 OF 19



Tiptaptap OÜ

Tiptaptap OÜ
Veetorni 9,
Jüri alevik, Rae vald,
75301 Harjumaa



E

ITEM NO.	PART NUMBER
1	bolt DIN603 M10x100
2	bolt DIN603 M10x60
3	nut DIN985 M10
4	woodscrew 6 x 90
5	nut cover M10
6	nut cover cap M10

F

UNLESS OTHERWISE SPECIFIED:
DIMENSIONS ARE IN MILLIMETERS
WEIGHT ARE IN KILOGRAMM

	NAME	SIGNATURE	DATE	REVISION
DRAWN	M.Rebase		16.07.2015	
APPV'D				

PART NUMBER / DWG NO.:

LM213

DESCRIPTION:

Play Centre DANIEL
connecting platform to post

MATERIAL:

wood, metal, plastic

A4

WEIGHT:

SCALE: 1:15

SHEET 8 OF 19



Tiptaptap OÜ

Tiptaptap OÜ
Veetorni 9,
Jüri alevik, Rae vald,
75301 Harjumaa

A

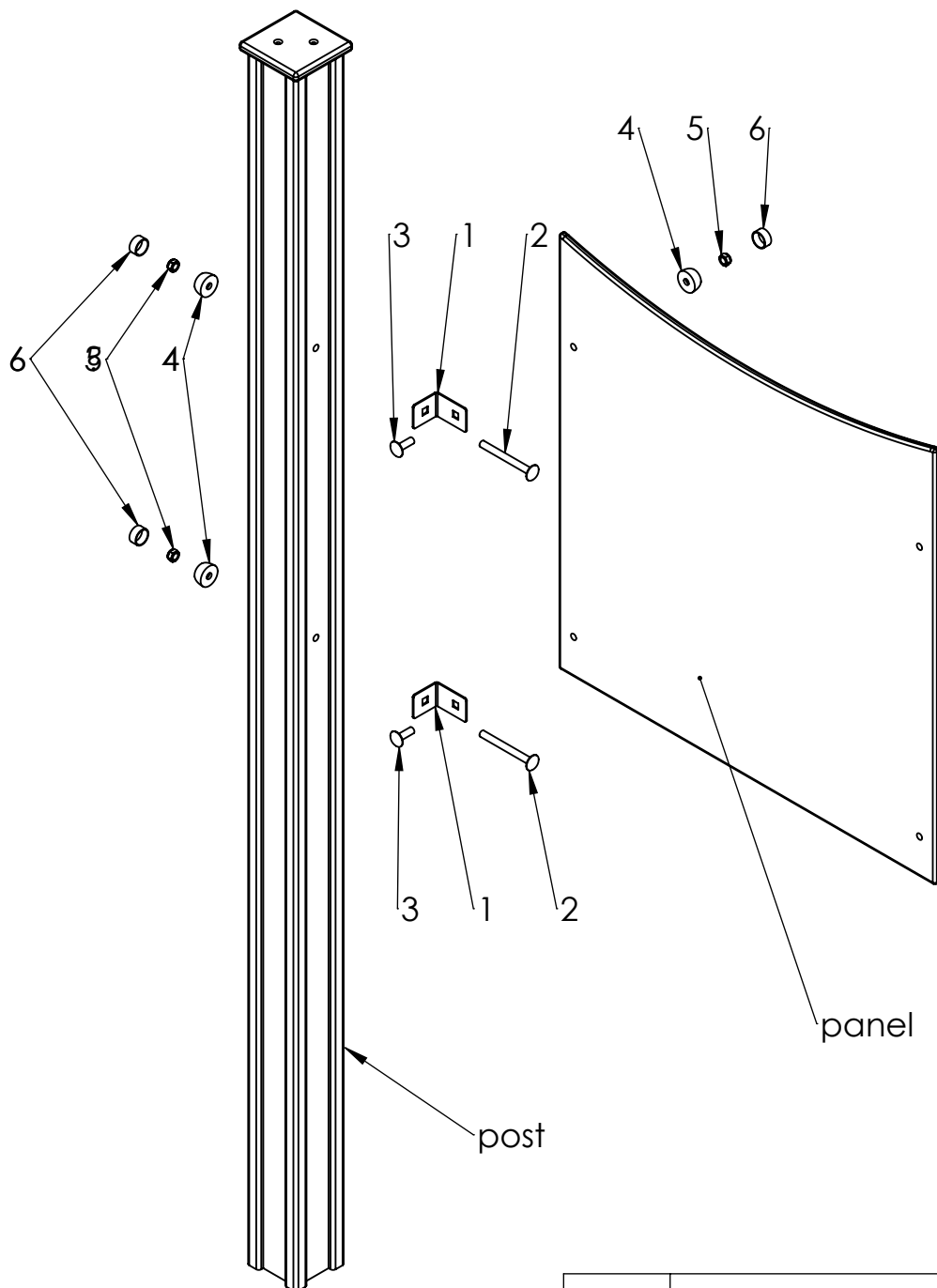
B

C

D

E

F



ITEM NO.	PART NUMBER
1	corner 48x60
2	bolt DIN603 M10x100
3	bolt DIN603 M10x30
4	nut cover M10
5	nut DIN985 M10
6	nut cover cap M10

UNLESS OTHERWISE SPECIFIED:
DIMENSIONS ARE IN MILLIMETERS
WEIGHT ARE IN KILOGRAMM

PART NUMBER / DWG NO.:

LM213

	NAME	SIGNATURE	DATE	REVISION
DRAWN	M.Rebase		16.07.2015	
APPV'D				

DESCRIPTION:

Play Centre DANIEL
connecting panel to post

MATERIAL:

wood, metal, plastic

A4

WEIGHT:

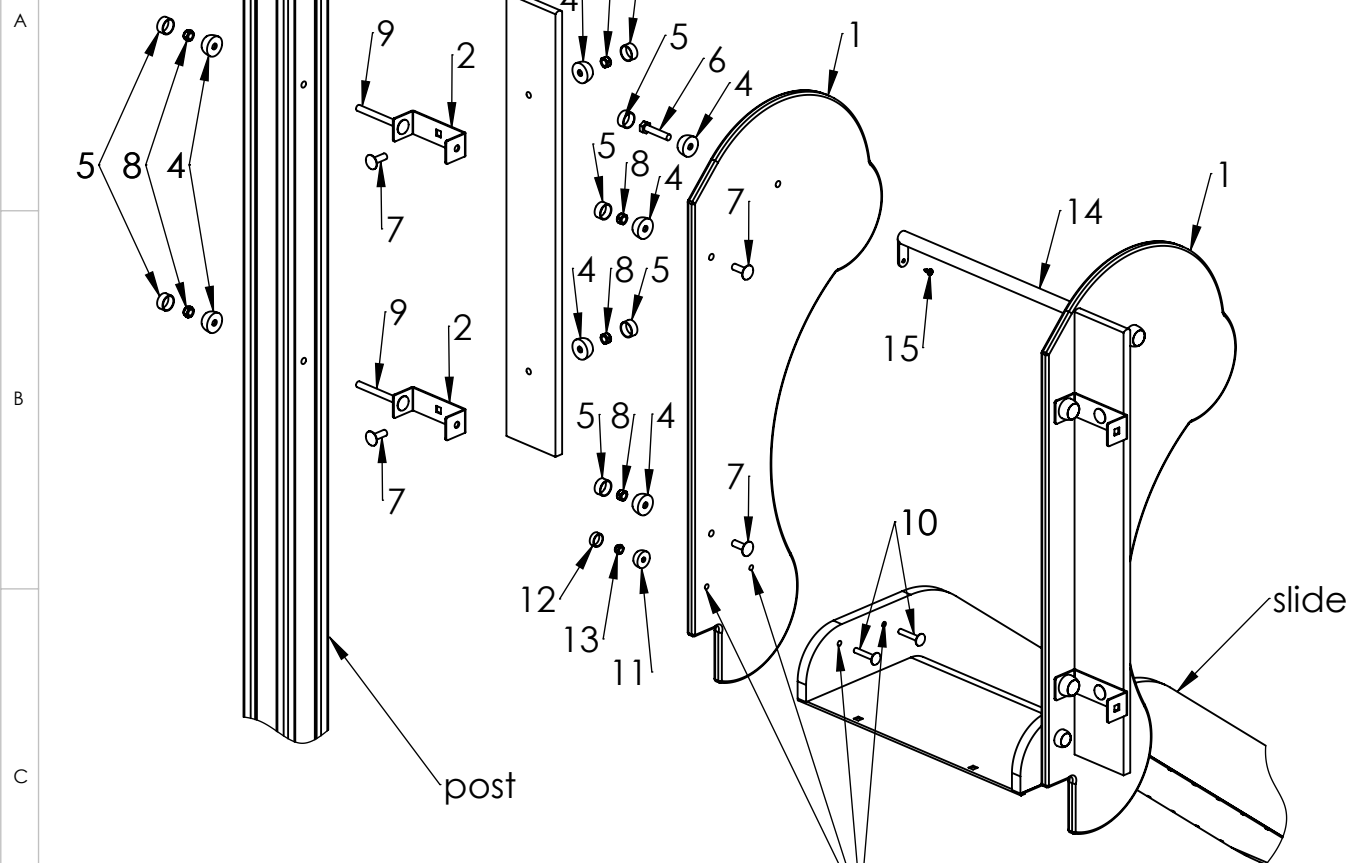
SCALE: 1:10

SHEET 9 OF 19



Tiptap OÜ

Tiptap OÜ
Veetorni 9,
Jüri alevik, Rae vald,
75301 Harjumaa



It is important to drill 8,5mm holes through side panel and slide.

ITEM NO.	PART NUMBER
1	slide side panel
2	slide side panel fixing 40x120
3	side panel 110x780
4	nut cover M10
5	nut cover cap M10
6	bolt DIN931 M10x50
7	bolt DIN603 M10x30
8	nut DIN985 M10
9	bolt DIN603 M10x100
10	bolt DIN603 M8x45
11	nut cover M8
12	nut cover cap M8
13	nut DIN985 M8
14	slide guardrail
15	wood screw 4,8x13

UNLESS OTHERWISE SPECIFIED:
DIMENSIONS ARE IN MILLIMETERS
WEIGHT ARE IN KILOGRAMM

PART NUMBER / DWG NO.:

LM213

	NAME	SIGNATURE	DATE	REVISION
DRAWN	M.Rebase		16.07.2015	
APPV'D				

DESCRIPTION:

Play Centre DANIEL
connecting slide guard block to post

MATERIAL:

wood, metal, plastic

A4

WEIGHT:

SCALE: 1:12

SHEET 10 OF 19



Tiptap OÜ

Tiptap OÜ
Veetorni 9,
Jüri alevik, Rae vald,
75301 Harjumaa

A

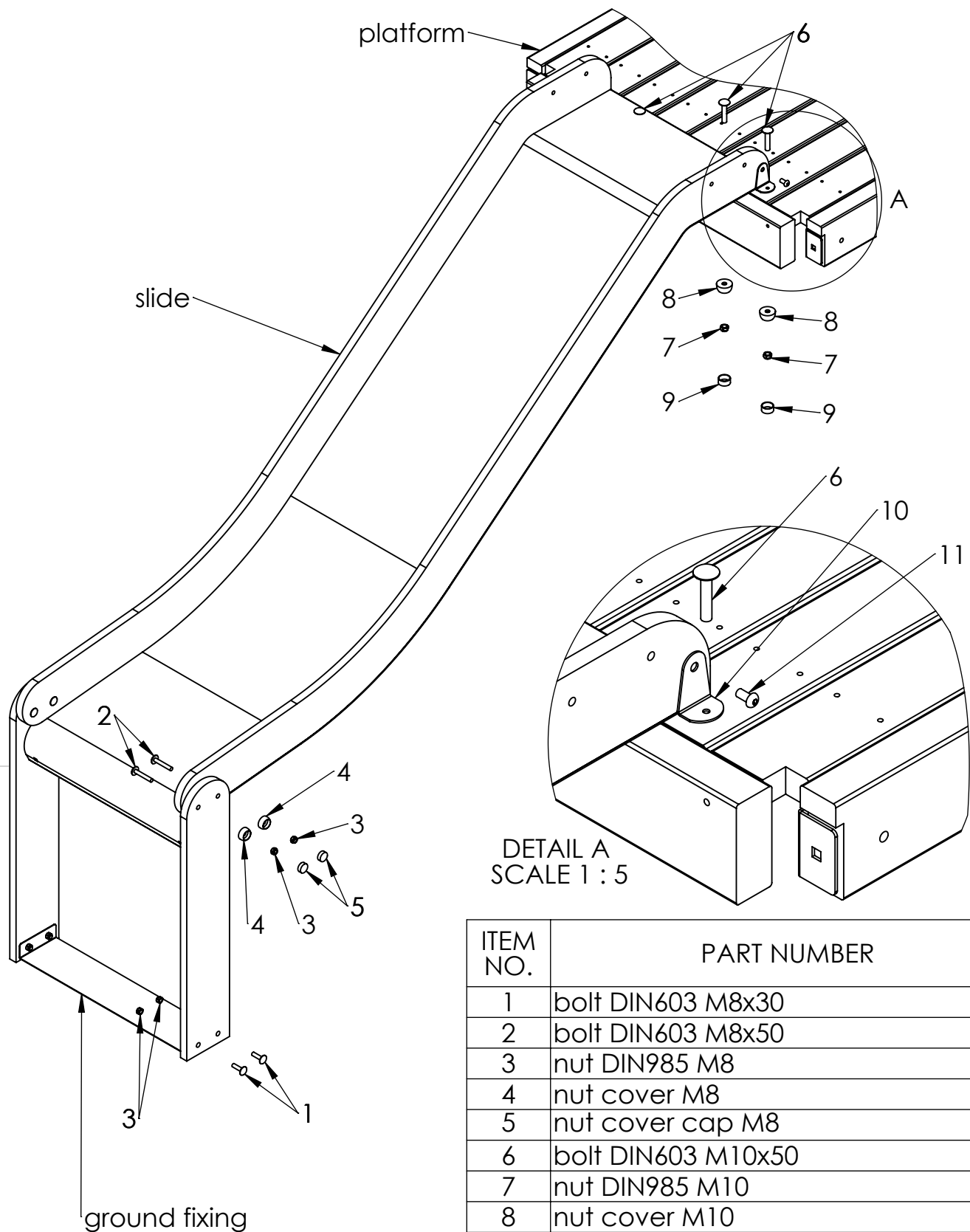
B

C

D

E

F



DETAIL A
SCALE 1 : 5

ITEM NO.	PART NUMBER
1	bolt DIN603 M8x30
2	bolt DIN603 M8x50
3	nut DIN985 M8
4	nut cover M8
5	nut cover cap M8
6	bolt DIN603 M10x50
7	nut DIN985 M10
8	nut cover M10
9	nut cover cap M10
10	corner 58x30
11	metal screw DIN 7380 M8x16

UNLESS OTHERWISE SPECIFIED:
DIMENSIONS ARE IN MILLIMETERS
WEIGHT ARE IN KILOGRAMM

	NAME	SIGNATURE	DATE	REVISION
DRAWN	M.Rebase		16.07.2015	
APPV'D				

PART NUMBER / DWG NO.:

LM213

DESCRIPTION:

Play Centre DANIEL
connecting slide to platform

MATERIAL:

wood, metal, plastic

A4

WEIGHT:

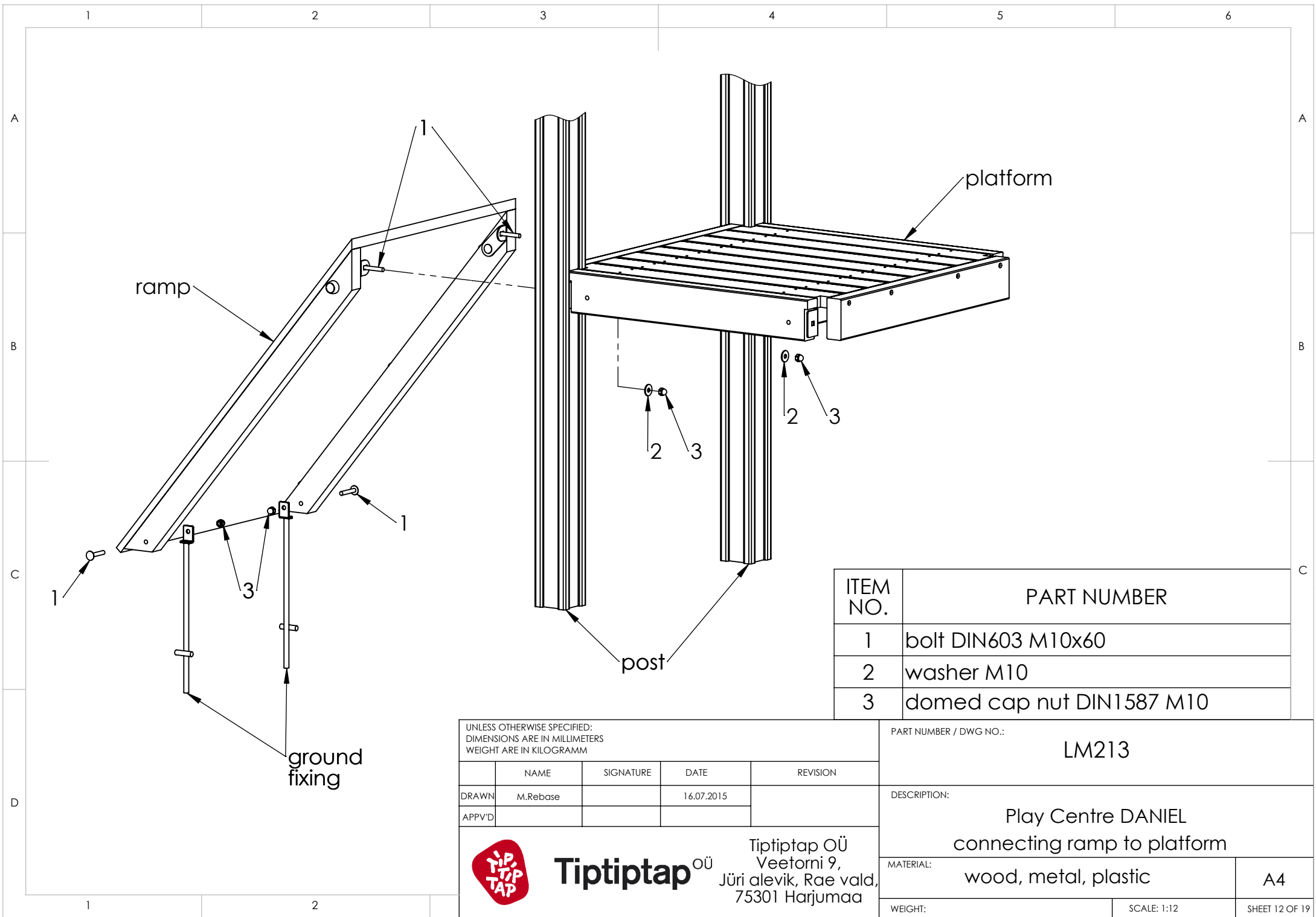
SCALE: 1:12

SHEET 11 OF 19



Tiptap OÜ

Tiptap OÜ
Veetorni 9,
Jüri alevik, Rae vald,
75301 Harjumaa



ITEM NO.	PART NUMBER
1	bolt DIN603 M10x60
2	washer M10
3	domed cap nut DIN1587 M10

UNLESS OTHERWISE SPECIFIED:
 DIMENSIONS ARE IN MILLIMETERS
 WEIGHT ARE IN KILOGRAMM

	NAME	SIGNATURE	DATE	REVISION
DRAWN	M.Rebase		16.07.2015	
APPV'D				



Tiptaptap OÜ
 Tiptaptap OÜ
 Veetorni 9,
 Jüri alevik, Rae vald,
 75301 Harjumaa

PART NUMBER / DWG NO.:
LM213

DESCRIPTION:
**Play Centre DANIEL
 connecting ramp to platform**

MATERIAL:	wood, metal, plastic	A4
WEIGHT:		SCALE: 1:12
		SHEET 12 OF 19

A

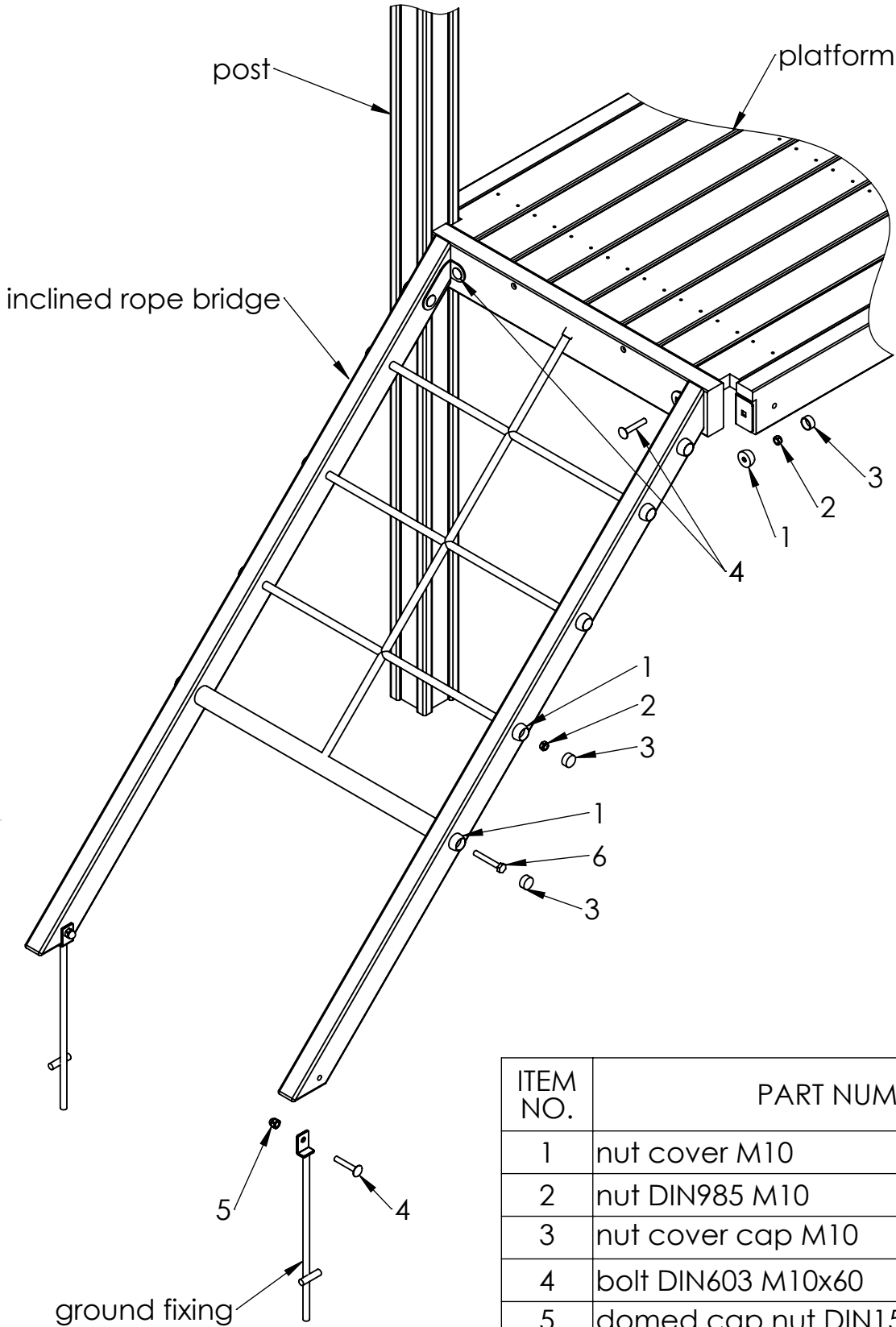
B

C

D

E

F



ITEM NO.	PART NUMBER
1	nut cover M10
2	nut DIN985 M10
3	nut cover cap M10
4	bolt DIN603 M10x60
5	domed cap nut DIN1587 M10
6	bolt DIN931 M10x70
7	bolt DIN603 M10x50

UNLESS OTHERWISE SPECIFIED:
 DIMENSIONS ARE IN MILLIMETERS
 WEIGHT ARE IN KILOGRAMM

PART NUMBER / DWG NO.:
LM213

	NAME	SIGNATURE	DATE	REVISION
DRAWN	M.Rebase		16.07.2015	
APPV'D				

DESCRIPTION:
Play Centre DANIEL
 connecting inclined climbing net to platform



Tiptiptap OÜ

Tiptiptap OÜ
 Veetorni 9,
 Jüri alevik, Rae vald,
 75301 Harjumaa

MATERIAL: wood, metal, plastic

A4

WEIGHT: SCALE: 1:12 SHEET 13 OF 19

A

B

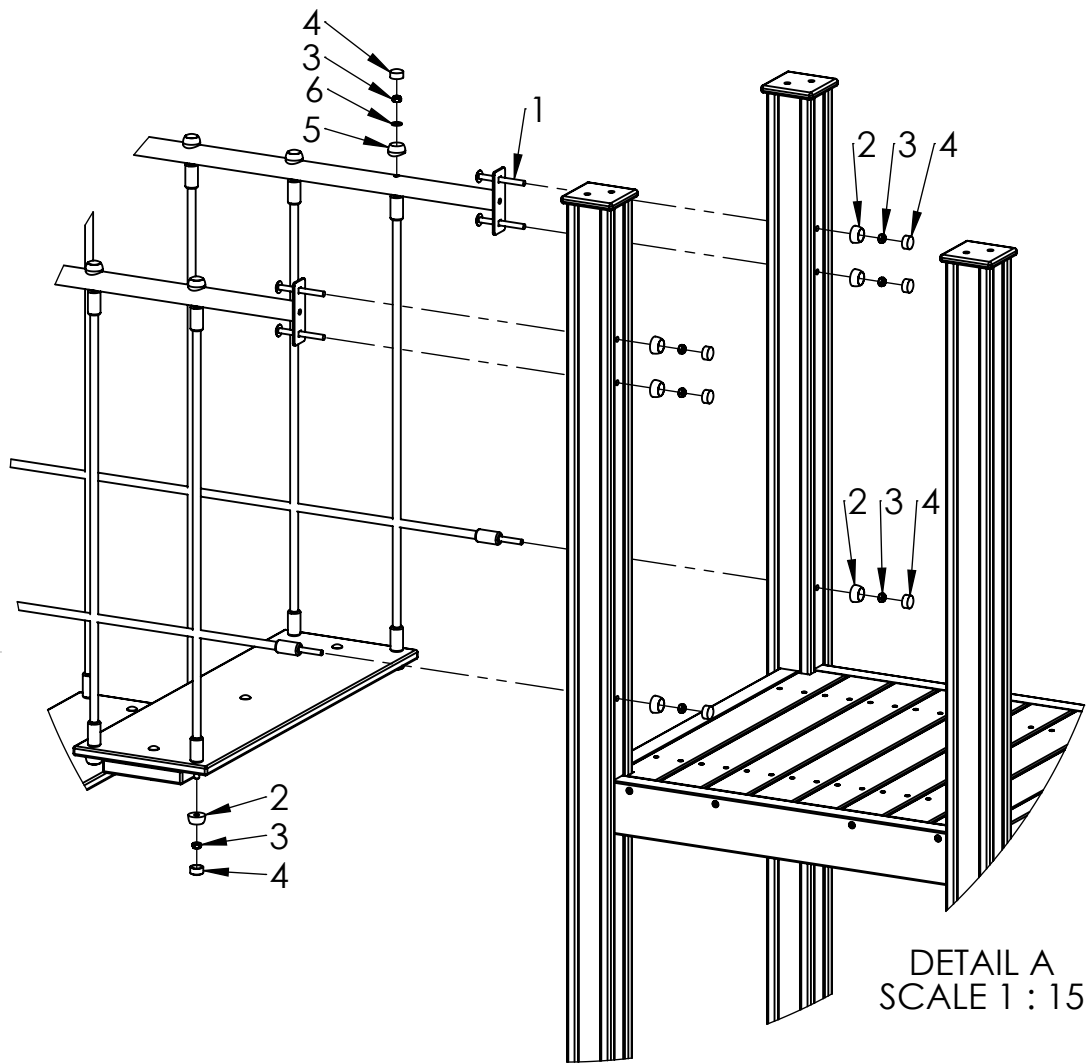
C

D

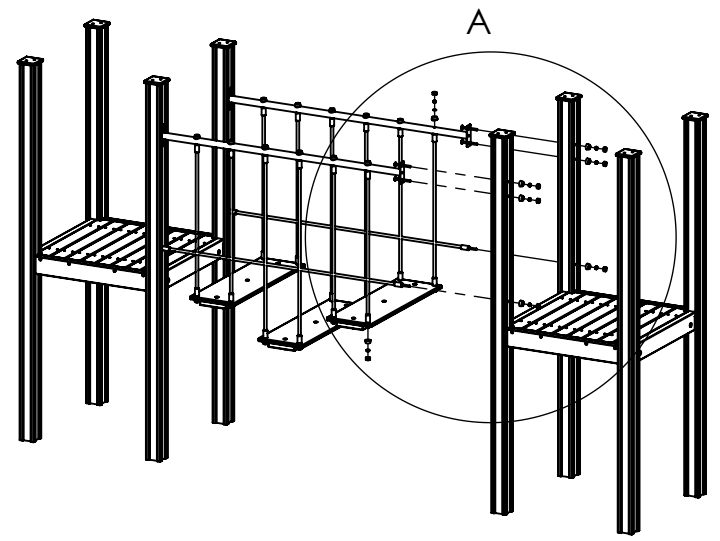
A

B

C



DETAIL A
SCALE 1 : 15



ITEM NO.	PART NUMBER
1	bolt DIN603 M10x100
2	nut cover M10
3	nut DIN985 M10
4	nut cover cap M10
5	nut cover for beam M10
6	washer M10

UNLESS OTHERWISE SPECIFIED:
DIMENSIONS ARE IN MILLIMETERS
WEIGHT ARE IN KILOGRAMM

	NAME	SIGNATURE	DATE	REVISION
DRAWN	M.Rebase		16.07.2015	
APPV'D				

PART NUMBER / DWG NO.:
LM213

DESCRIPTION:
Play Centre DANIEL
connecting bridge to post and platform



Tiptaptap OÜ
Tiptaptap OÜ
Veetorni 9,
Jüri alevik, Rae vald,
75301 Harjumaa

MATERIAL:
wood, metal, plastic

A4

WEIGHT: SCALE: 1:45 SHEET 14 OF 19

A

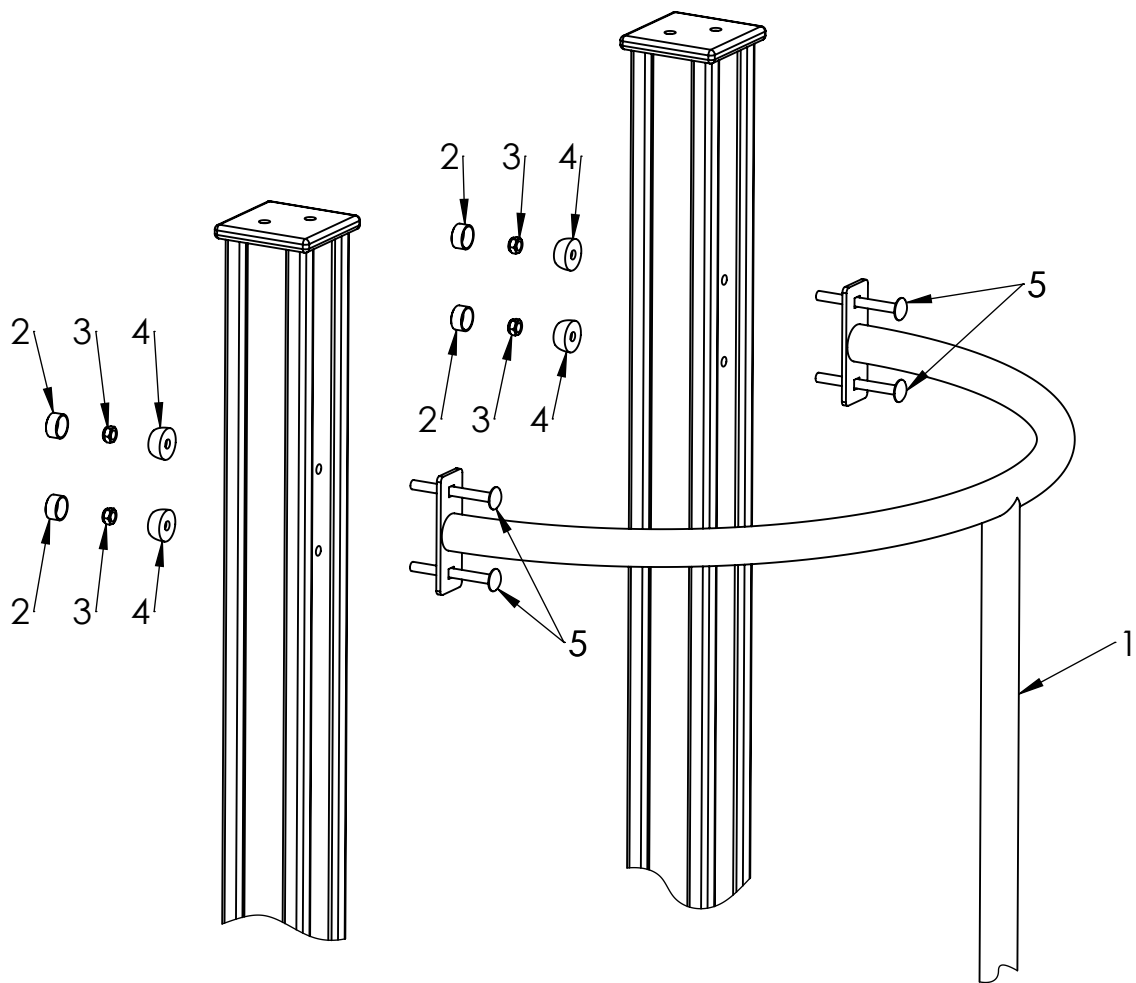
B

C

D

E

F



ITEM NO.	PART NUMBER
1	climbing pole
2	nut cover cap M10
3	nut DIN985 M10
4	nut cover M10
5	bolt DIN603 M10x100

UNLESS OTHERWISE SPECIFIED: DIMENSIONS ARE IN MILLIMETERS WEIGHT ARE IN KILOGRAMM				
	NAME	SIGNATURE	DATE	REVISION
DRAWN	M.Rebase		16.07.2015	
APPV'D				

PART NUMBER / DWG NO.:	LM213
DESCRIPTION:	Play Centre DANIEL connecting climbing pole to post



Tiptaptap OÜ
 Veetorni 9,
 Jüri alevik, Rae vald,
 75301 Harjumaa

MATERIAL:	wood, metal, plastic	A4
WEIGHT:	SCALE: 1:8	SHEET 15 OF 19

A

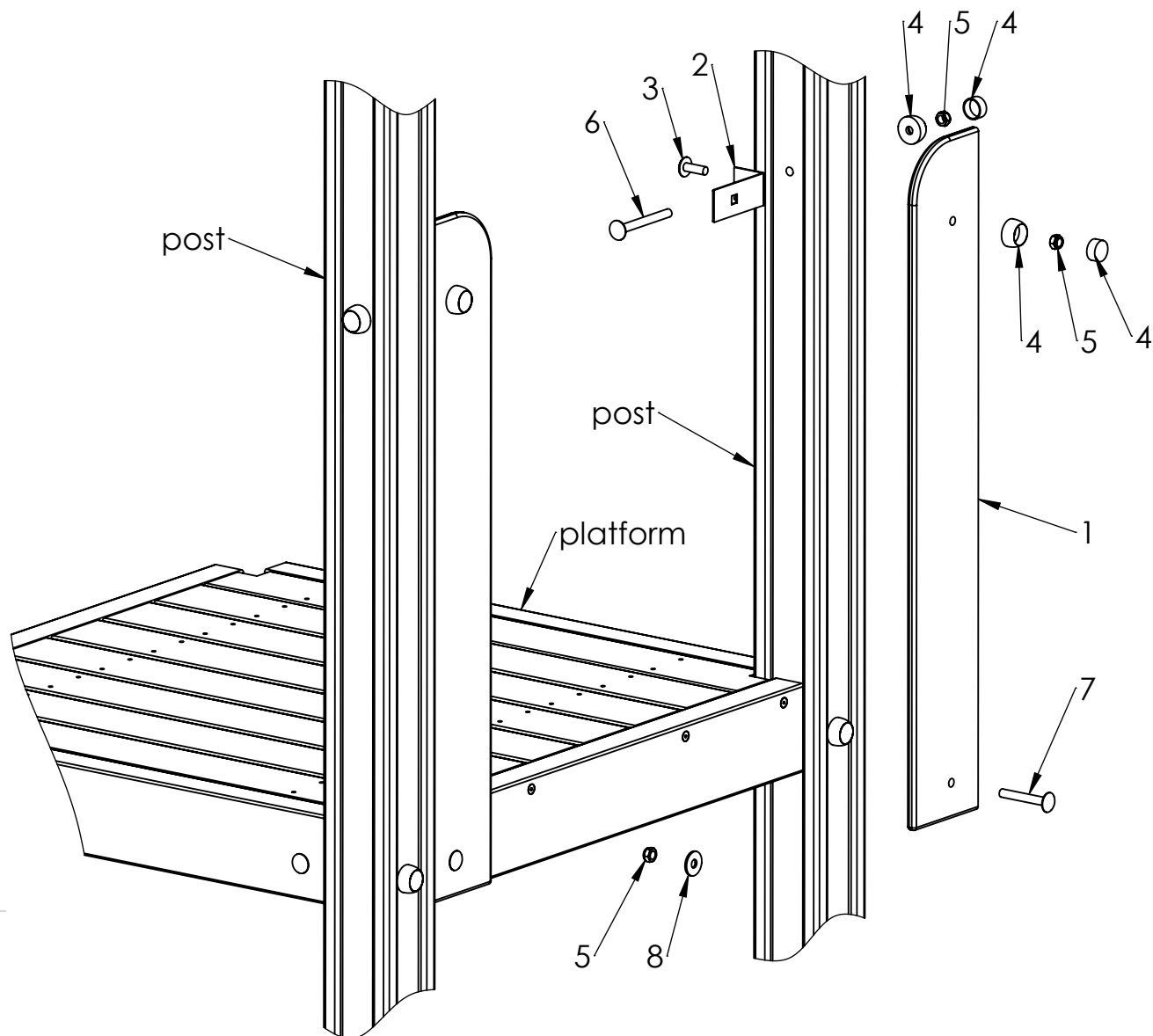
B

C

D

E

F



ITEM NO.	PART NUMBER
1	panel 850x126
2	slide side panel fixing 40x100
3	bolt DIN603 M10x30
4	nut cover with cap
5	nut DIN985 M10
6	bolt DIN603 M10x100
7	bolt DIN603 M10x70
8	washer M10

UNLESS OTHERWISE SPECIFIED:
DIMENSIONS ARE IN MILLIMETERS
WEIGHT ARE IN KILOGRAMM

	NAME	SIGNATURE	DATE	REVISION
DRAWN	M.Rebase		16.07.2015	
APPV'D				

PART NUMBER / DWG NO.:

LM213

DESCRIPTION:

Play Centre DANIEL
connecting climbing pole side panel to post

MATERIAL:

wood, metal, plastic

A4

WEIGHT:

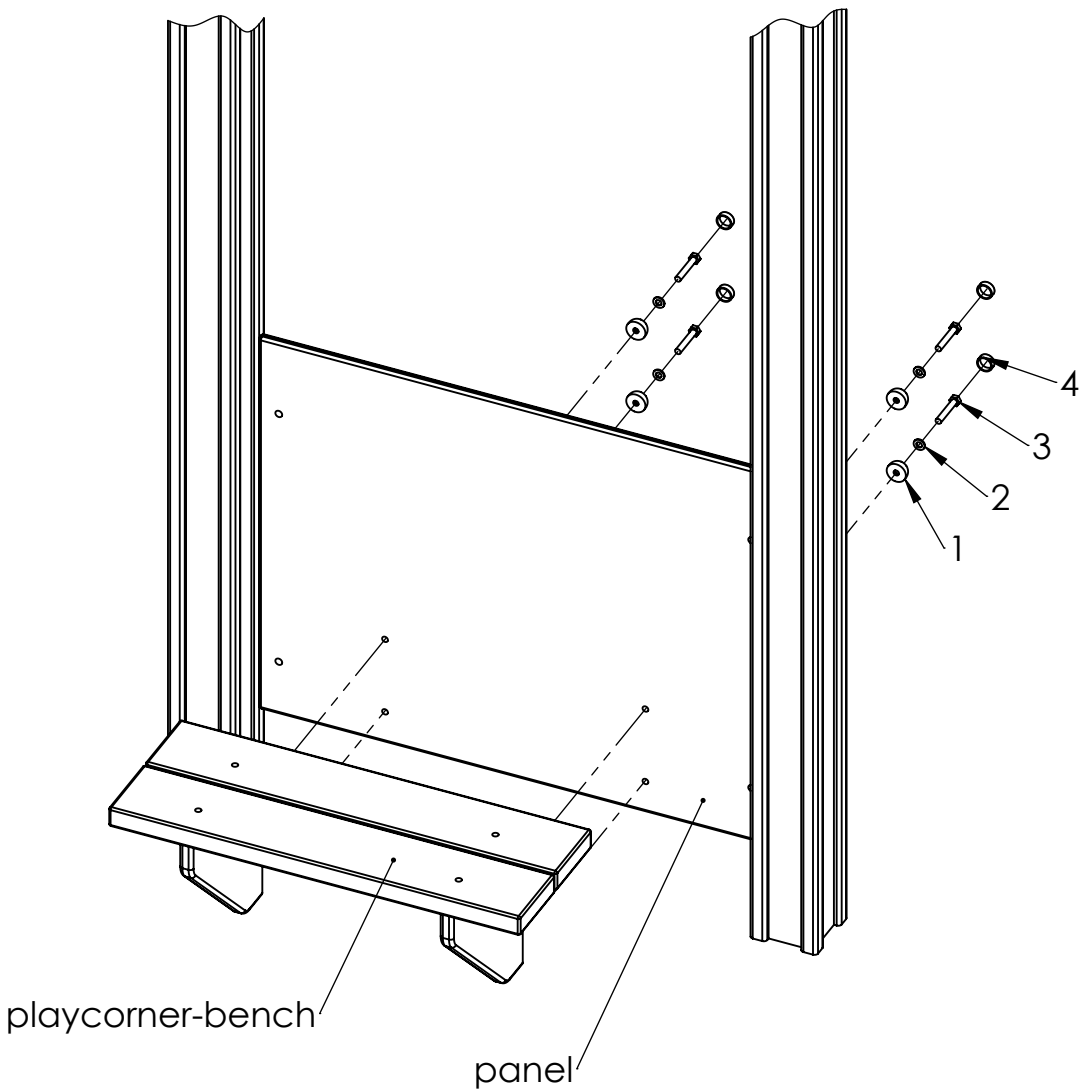
SCALE: 1:8

SHEET 16 OF 19



Tiptap OÜ

Tiptap OÜ
Veetorni 9,
Jüri alevik, Rae vald,
75301 Harjumaa

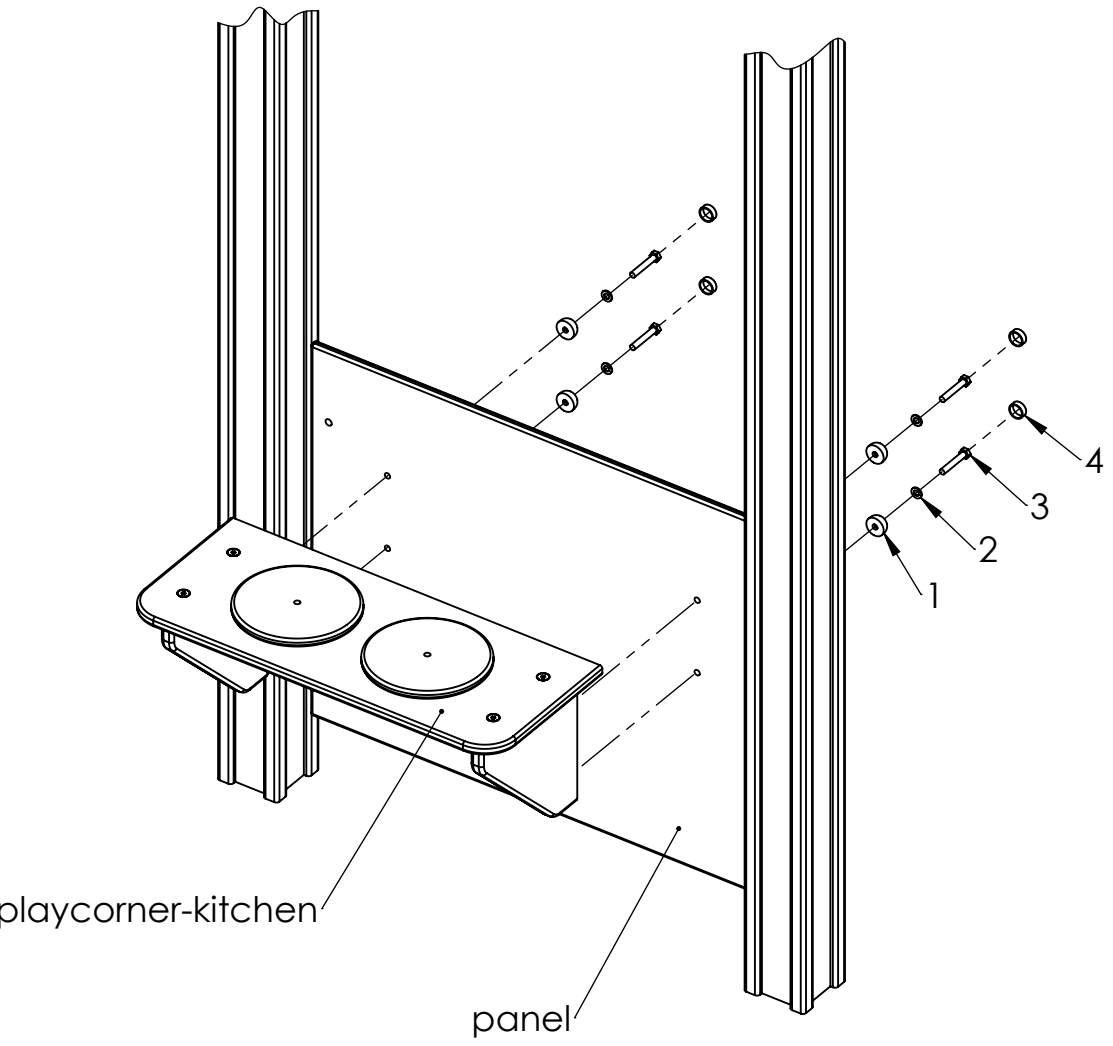


ITEM NO.	PART NUMBER
1	nut cover M8
2	washer M8
3	bolt DIN933 M8x50
4	nut cover cap M8

UNLESS OTHERWISE SPECIFIED: DIMENSIONS ARE IN MILLIMETERS WEIGHT ARE IN KILOGRAMM				
	NAME	SIGNATURE	DATE	REVISION
DRAWN	M.Rebase		16.07.2015	
APPV'D				

PART NUMBER / DWG NO.:		LM213	
DESCRIPTION:			
Play Centre DANIEL connecting playcorner-bench to panel			
MATERIAL:		wood, metal, plastic	A4
WEIGHT:		SCALE: 1:10	SHEET 17 OF 19


Tiptaptap OÜ
 Veetorni 9,
 Jüri alevik, Rae vald,
 75301 Harjumaa



playcorner-kitchen

panel

ITEM NO.	PART NUMBER
1	nut cover M8
2	washer M8
3	bolt DIN933 M8x50
4	nut cover cap M8

UNLESS OTHERWISE SPECIFIED:
DIMENSIONS ARE IN MILLIMETERS
WEIGHT ARE IN KILOGRAMM

	NAME	SIGNATURE	DATE	REVISION
DRAWN	M.Rebase		16.07.2015	
APPV'D				

PART NUMBER / DWG NO.:
LM213

DESCRIPTION:
Play Centre DANIEL
connecting playcorner-kitchen to panel



Tiptaptap OÜ

Tiptaptap OÜ
Veetorni 9,
Jüri alevik, Rae vald,
75301 Harjumaa

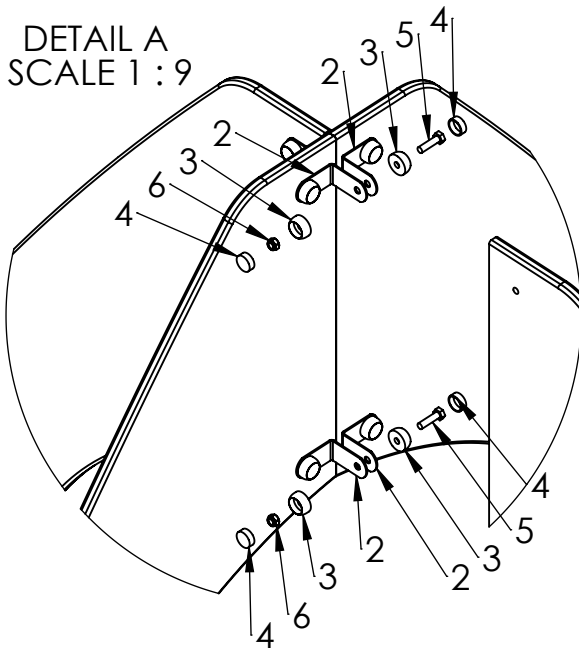
MATERIAL: wood, metal, plastic

A4

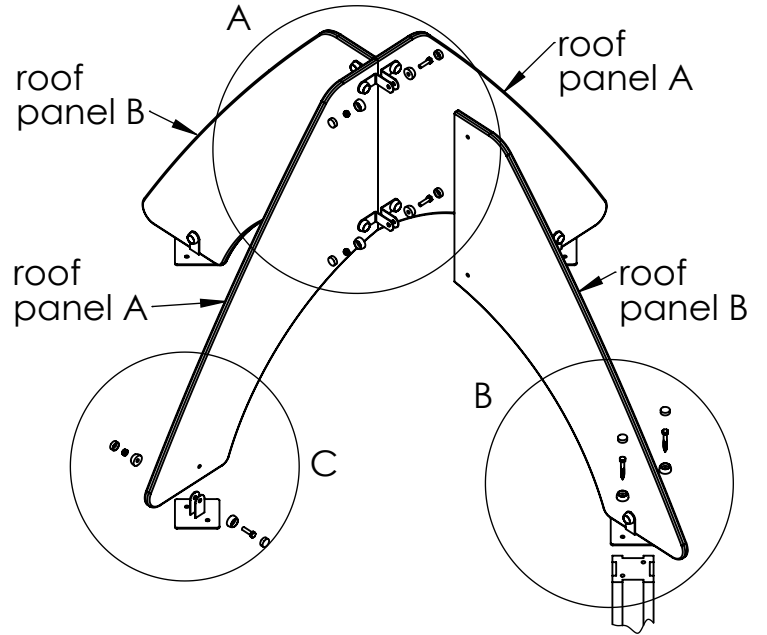
WEIGHT: SCALE: 1:10 SHEET 18 OF 19

A

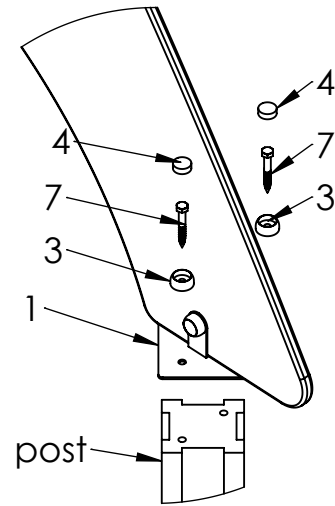
DETAIL A
SCALE 1 : 9



B

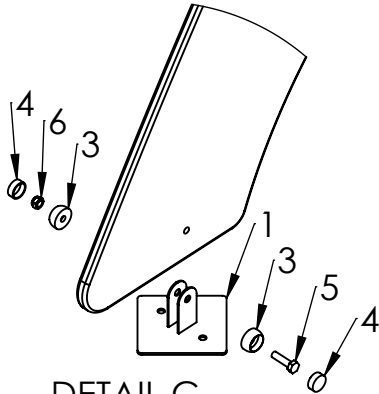


C



DETAIL B
SCALE 1 : 9

D



DETAIL C
SCALE 1 : 9

E

ITEM NO.	PART NUMBER
1	roof fixture
2	corner 60x60
3	nut cover M8
4	nut cover cap M8
5	bolt DIN933 M8x30
6	nut DIN985 M8
7	wood screw DIN571 8x60

F

UNLESS OTHERWISE SPECIFIED:
DIMENSIONS ARE IN MILLIMETERS
WEIGHT ARE IN KILOGRAMM

PART NUMBER / DWG NO.:

LM213

NAME	SIGNATURE	DATE	REVISION
DRAWN M.Rebase		16.07.2015	
APPV'D			

DESCRIPTION:

Play Centre DANIEL
connecting roof to post

MATERIAL:

wood, metal, plastic

A4

WEIGHT:

SCALE: 1:18

SHEET 19 OF 19



Tiptap OÜ

Tiptap OÜ
Veetorni 9,
Jüri alevik, Rae vald,
75301 Harjumaa