

A

B

C

D

E

F



UNLESS OTHERWISE SPECIFIED:
DIMENSIONS ARE IN MILLIMETERS
WEIGHT ARE IN KILOGRAMM

PART NUMBER / DWG NO.:

LM213-1

	NAME	SIGNATURE	DATE	REVISION
DRAWN	M.Rebase		17.06.2014	
APPV'D				

DESCRIPTION:

Play Centre DANUTA



Tiptaptap OÜ

Tiptaptap OÜ
Veetorni 9,
Jüri alevik, Rae vald,
75301 Harjumaa

MATERIAL:

wood, metal, plastic

A4

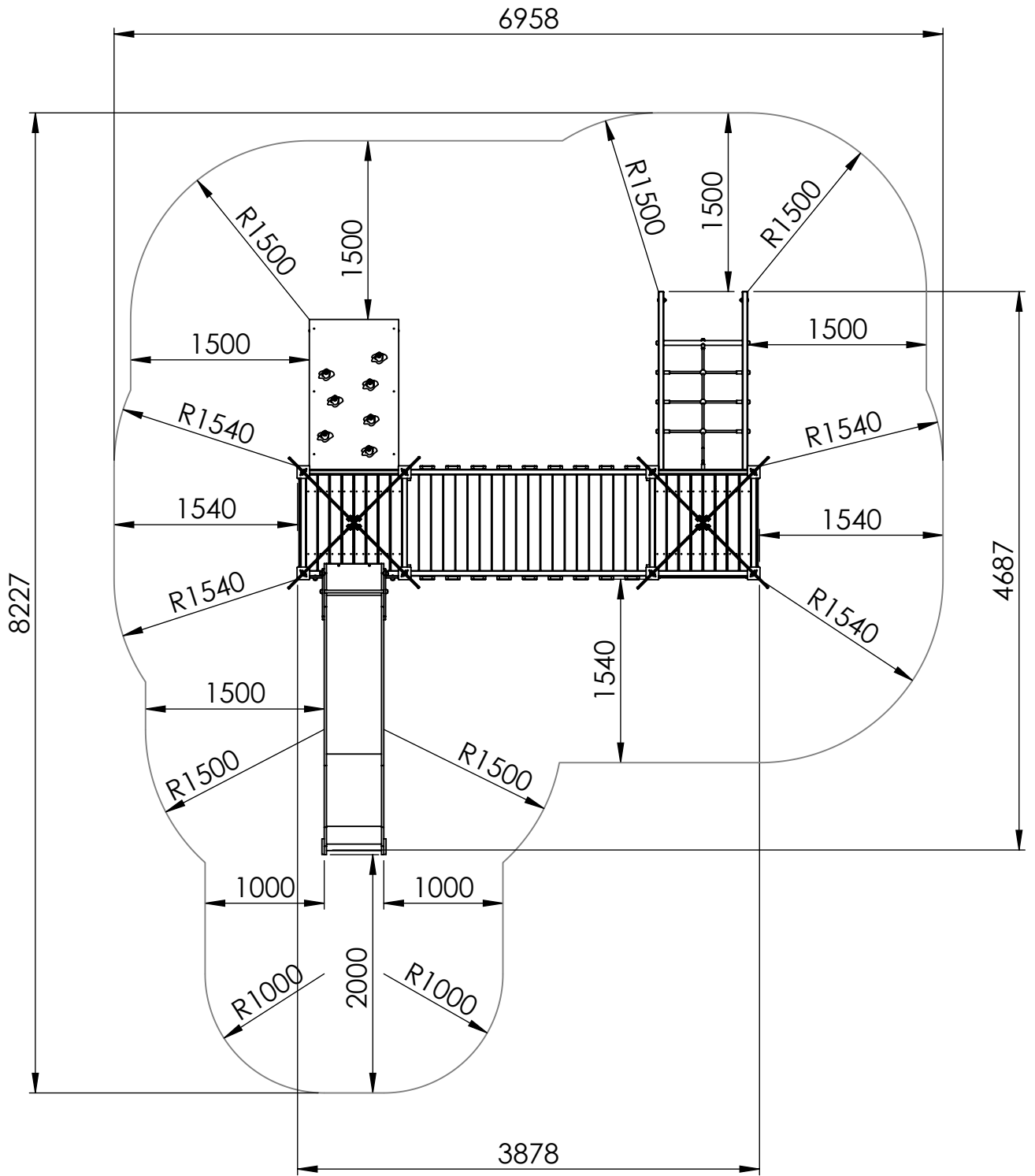
WEIGHT:

SCALE: 1:30

SHEET 1 OF 15

safety area

A
B
C
D
E



UNLESS OTHERWISE SPECIFIED:
DIMENSIONS ARE IN MILLIMETERS
WEIGHT ARE IN KILOGRAMM

PART NUMBER / DWG NO.:

LM213-1

	NAME	SIGNATURE	DATE	REVISION
DRAWN	M.Rebase		17.06.2014	
APPV'D				

DESCRIPTION:

Play Centre DANUTA



Tiptap OÜ

Tiptap OÜ
Veetorni 9,
Jüri alevik, Rae vald,
75301 Harjumaa

MATERIAL:

wood, metal, plastic

A4

WEIGHT:

SCALE: 1:50

SHEET 2 OF 15

foundation

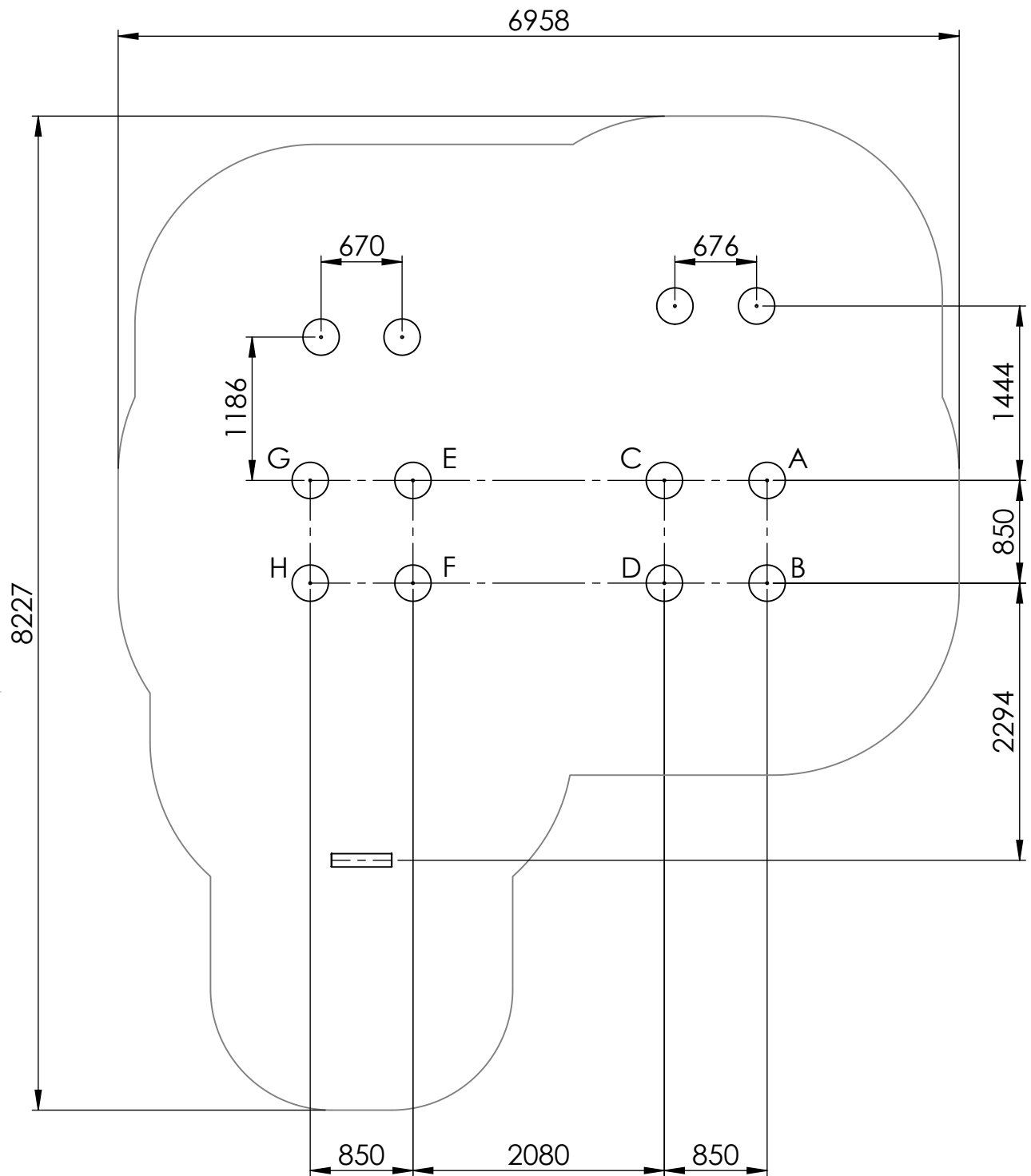
A

B

C

D

E



depth of foundation 500mm

UNLESS OTHERWISE SPECIFIED:
DIMENSIONS ARE IN MILLIMETERS
WEIGHT ARE IN KILOGRAMM

PART NUMBER / DWG NO.:

LM213-1

	NAME	SIGNATURE	DATE	REVISION
DRAWN	M.Rebase		17.06.2014	
APPV'D				

DESCRIPTION:

Play Centre DANUTA



Tiptaptap OÜ

Tiptaptap OÜ
Veetorni 9,
Jüri alevik, Rae vald,
75301 Harjumaa

MATERIAL:

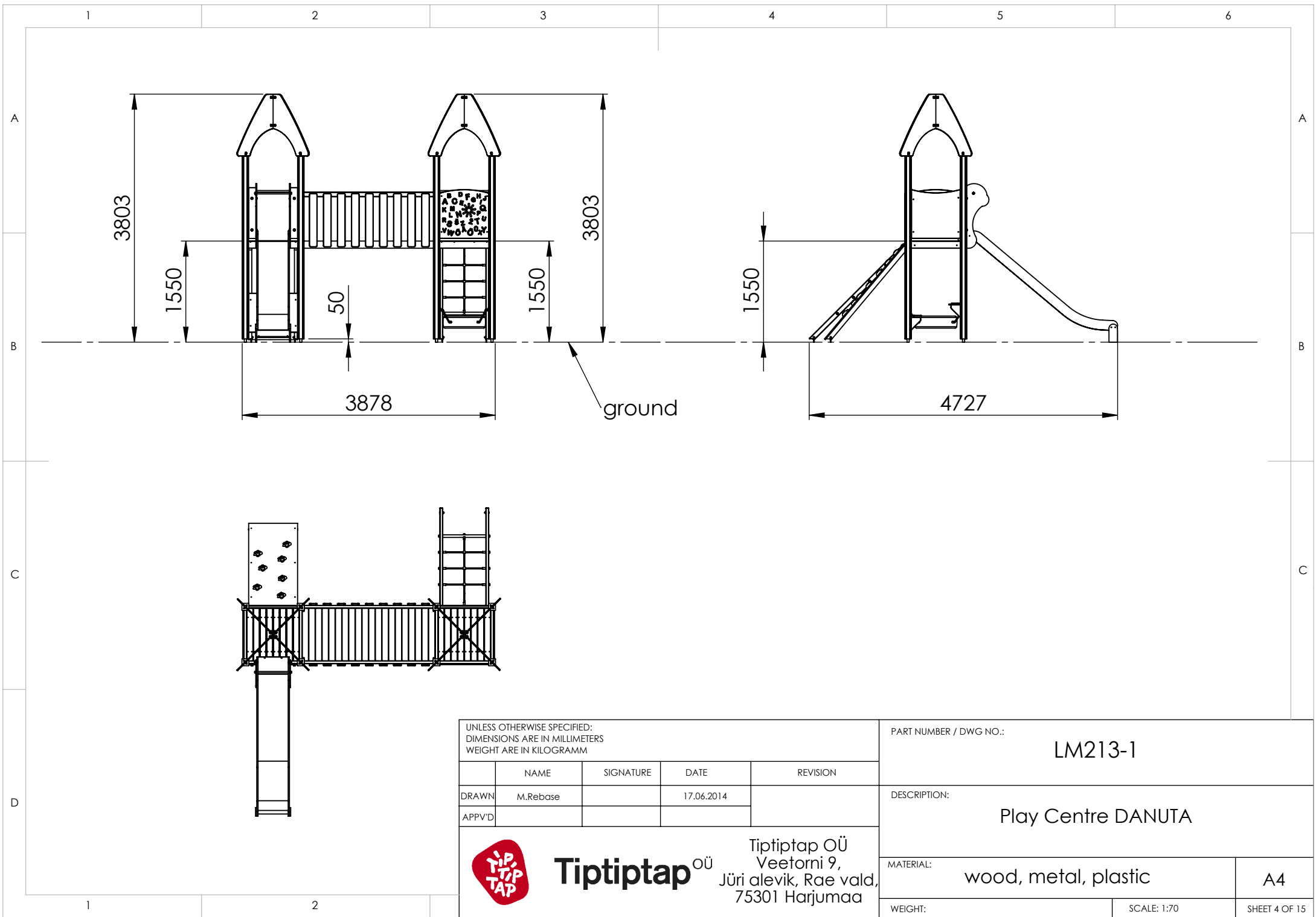
wood, metal, plastic

A4

WEIGHT:

SCALE: 1:50

SHEET 3 OF 15



UNLESS OTHERWISE SPECIFIED:
 DIMENSIONS ARE IN MILLIMETERS
 WEIGHT ARE IN KILOGRAMM

PART NUMBER / DWG NO.:
LM213-1

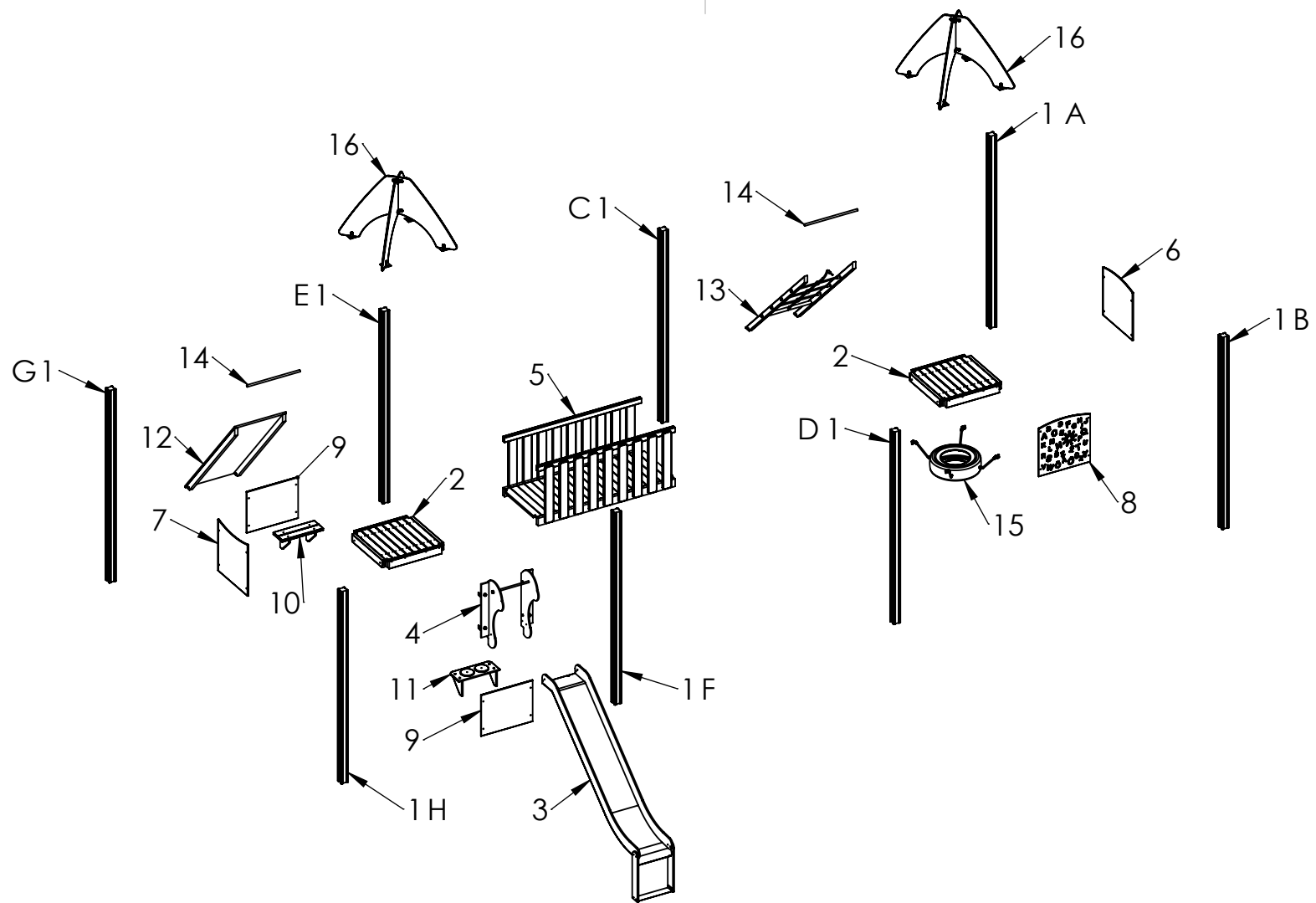
	NAME	SIGNATURE	DATE	REVISION
DRAWN	M.Rebase		17.06.2014	
APPV'D				

DESCRIPTION:
Play Centre DANUTA



Tiptaptap OÜ
 Veetorni 9,
 Jüri alevik, Rae vald,
 75301 Harjumaa

MATERIAL:	wood, metal, plastic	A4
WEIGHT:		SCALE: 1:70
		SHEET 4 OF 15



UNLESS OTHERWISE SPECIFIED:
 DIMENSIONS ARE IN MILLIMETERS
 WEIGHT ARE IN KILOGRAMM

	NAME	SIGNATURE	DATE	REVISION
DRAWN	M.Rebase		17.06.2014	
APPV'D				


Tiptap OÜ
 Tiptap OÜ
 Veetorni 9,
 Jüri alevik, Rae vald,
 75301 Harjumaa


PART NUMBER / DWG NO.:
LM213-1

DESCRIPTION:
Play Centre DANUTA

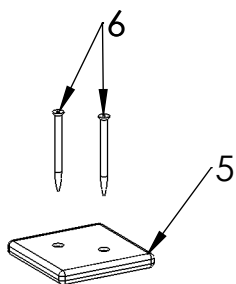
MATERIAL:	wood, metal, plastic	A4
WEIGHT:		SCALE: 1:80
		SHEET 5 OF 15

ITEM NO.	PART NUMBER	DESCRIPTION	QTY.
1	post 98x98x2800	laminated wood	8
2	platform	laminated wood, metal	2
3	slide h_1550	stainless steel, PE plastic	1
4	slide guard block	plywood, metal, plastic	1
5	bridge	laminated wood, metal	1
6	panel 750x750	plywood	1
7	panel 750x750	plywood	1
8	panel 750x750 with letters	plywood	1
9	panel 750x600	plywood	2
10	playcorner-bench	laminated wood, plastic	1
11	playcorner-kitchen	plywood, plastic	1
12	climbing ramp	plywood	1
13	inclined climbing net	wood, PE covered steel wire	1
14	guardrail ϕ 25x770	painted steel	2
15	tyre with ropes	rubber, PE covered steel wire	1
16	roof	plywood	2

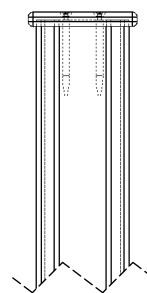
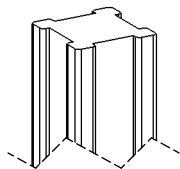
D	
E	

UNLESS OTHERWISE SPECIFIED: DIMENSIONS ARE IN MILLIMETERS WEIGHT ARE IN KILOGRAMM				PART NUMBER / DWG NO.: LM213-1		
	NAME	SIGNATURE	DATE	REVISION	DESCRIPTION: Play Centre DANUTA	
DRAWN	M.Rebase		17.06.2014			
APPV'D						
F	 Tiptiptap OÜ Veetorni 9, Jüri alevik, Rae vald, 75301 Harjumaa				MATERIAL: wood, metal, plastic	A4
	WEIGHT:			SCALE: 1:80		SHEET 6 OF 15

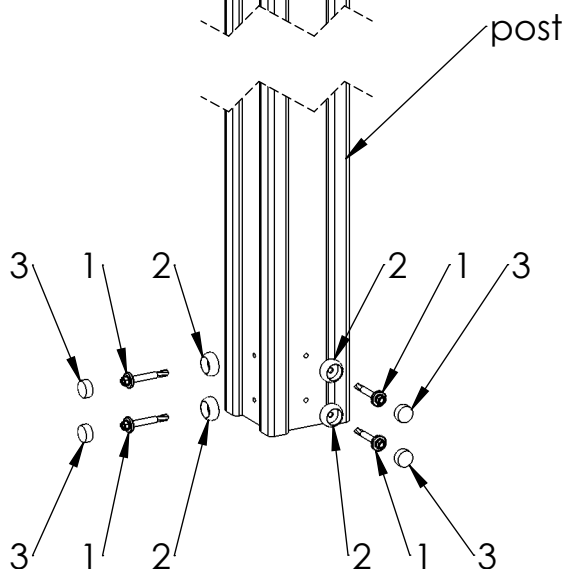
A



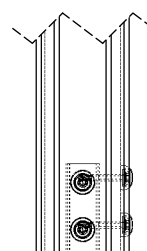
B



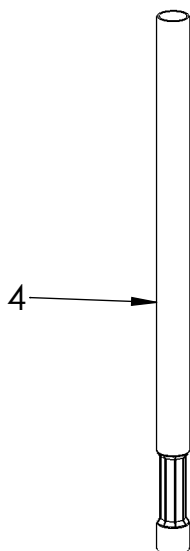
C



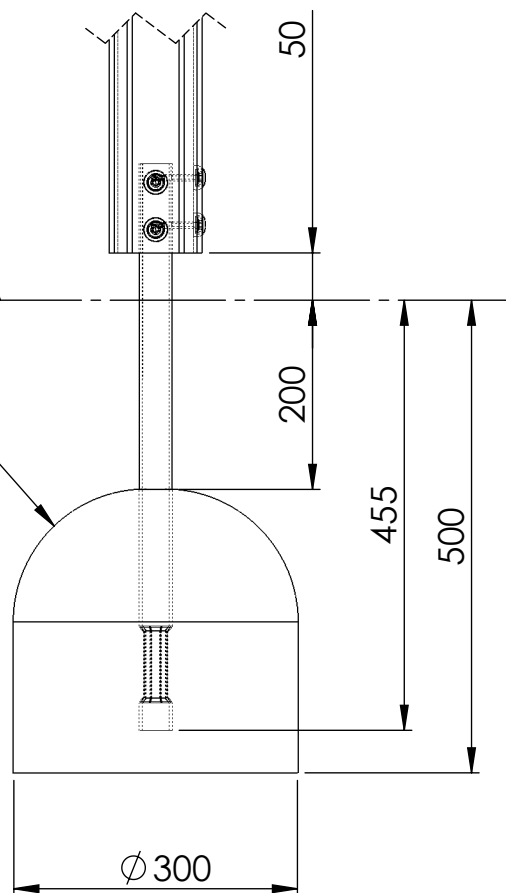
ground



D



concrete



E

ITEM NO.	PART NUMBER
1	screw DIN7504K 5,5x50
2	nut cover M6
3	nut cover cap M6
4	metal ground fixing L_600
5	plastic cap 115x115
6	woodscrew 6 x 90

UNLESS OTHERWISE SPECIFIED:
DIMENSIONS ARE IN MILLIMETERS
WEIGHT ARE IN KILOGRAMM

PART NUMBER / DWG NO.:

LM213-1

	NAME	SIGNATURE	DATE	REVISION
DRAWN	M.Rebase		17.06.2014	
APPV'D				

DESCRIPTION:

Play Centre DANUTA
connecting metal ground fixing to post

F



Tiptiptap OÜ

Tiptiptap OÜ
Veetorni 9,
Jüri alevik, Rae vald,
75301 Harjumaa

MATERIAL:

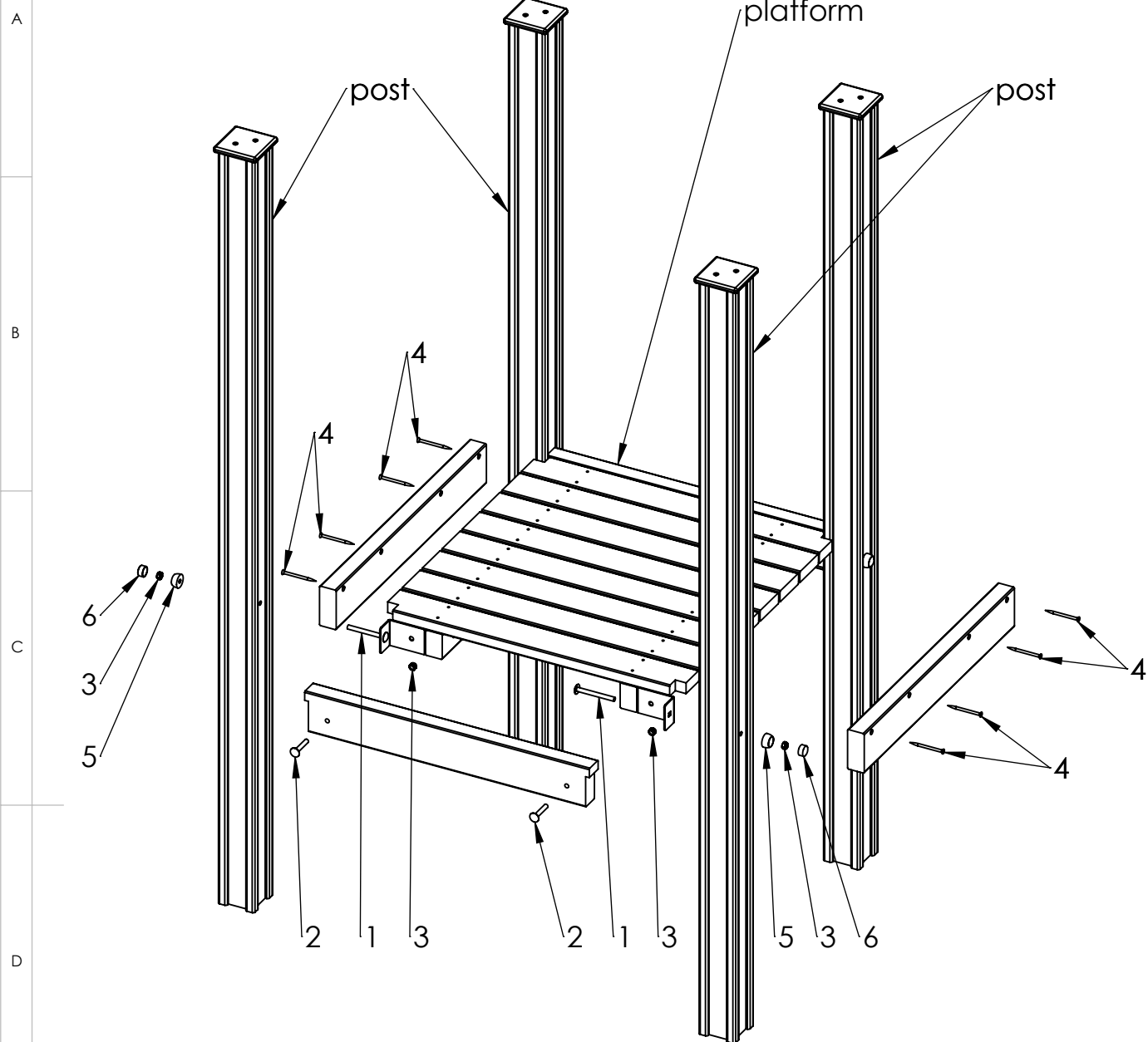
wood, metal, plastic

A4

WEIGHT:

SCALE: 1:8

SHEET 7 OF 15



E

ITEM NO.	PART NUMBER
1	bolt DIN603 M10x100
2	bolt DIN603 M10x60
3	nut DIN985 M10
4	woodscrew 6 x 90
5	nut cover M10
6	nut cover cap M10

F

UNLESS OTHERWISE SPECIFIED:
DIMENSIONS ARE IN MILLIMETERS
WEIGHT ARE IN KILOGRAMM

	NAME	SIGNATURE	DATE	REVISION
DRAWN	M.Rebase		17.06.2014	
APPV'D				

PART NUMBER / DWG NO.:

LM213-1

DESCRIPTION:

Play Centre DANUTA
connecting platform to post

MATERIAL:

wood, metal, plastic

A4

WEIGHT:

SCALE: 1:15

SHEET 8 OF 15



Tiptaptap OÜ

Tiptaptap OÜ
Veetorni 9,
Jüri alevik, Rae vald,
75301 Harjumaa

A

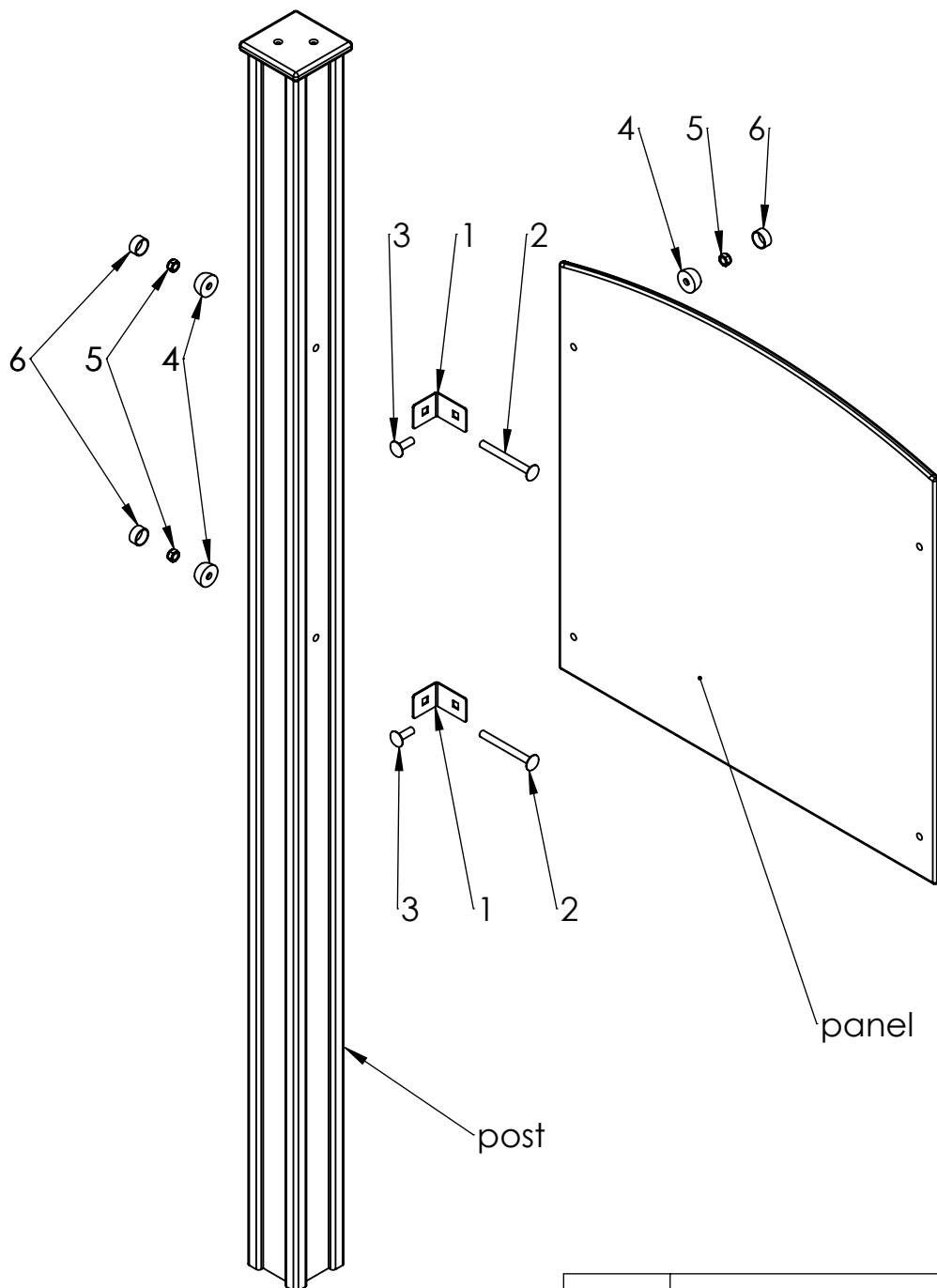
B

C

D

E

F



ITEM NO.	PART NUMBER
1	corner 48x60
2	bolt DIN603 M10x100
3	bolt DIN603 M10x30
4	nut cover M10
5	nut DIN985 M10
6	nut cover cap M10

UNLESS OTHERWISE SPECIFIED:
DIMENSIONS ARE IN MILLIMETERS
WEIGHT ARE IN KILOGRAMM

PART NUMBER / DWG NO.:

LM213-1

	NAME	SIGNATURE	DATE	REVISION
DRAWN	M.Rebase		17.06.2014	
APPV'D				

DESCRIPTION:

Play Centre DANUTA
connecting panel to post

MATERIAL:

wood, metal, plastic

A4

WEIGHT:

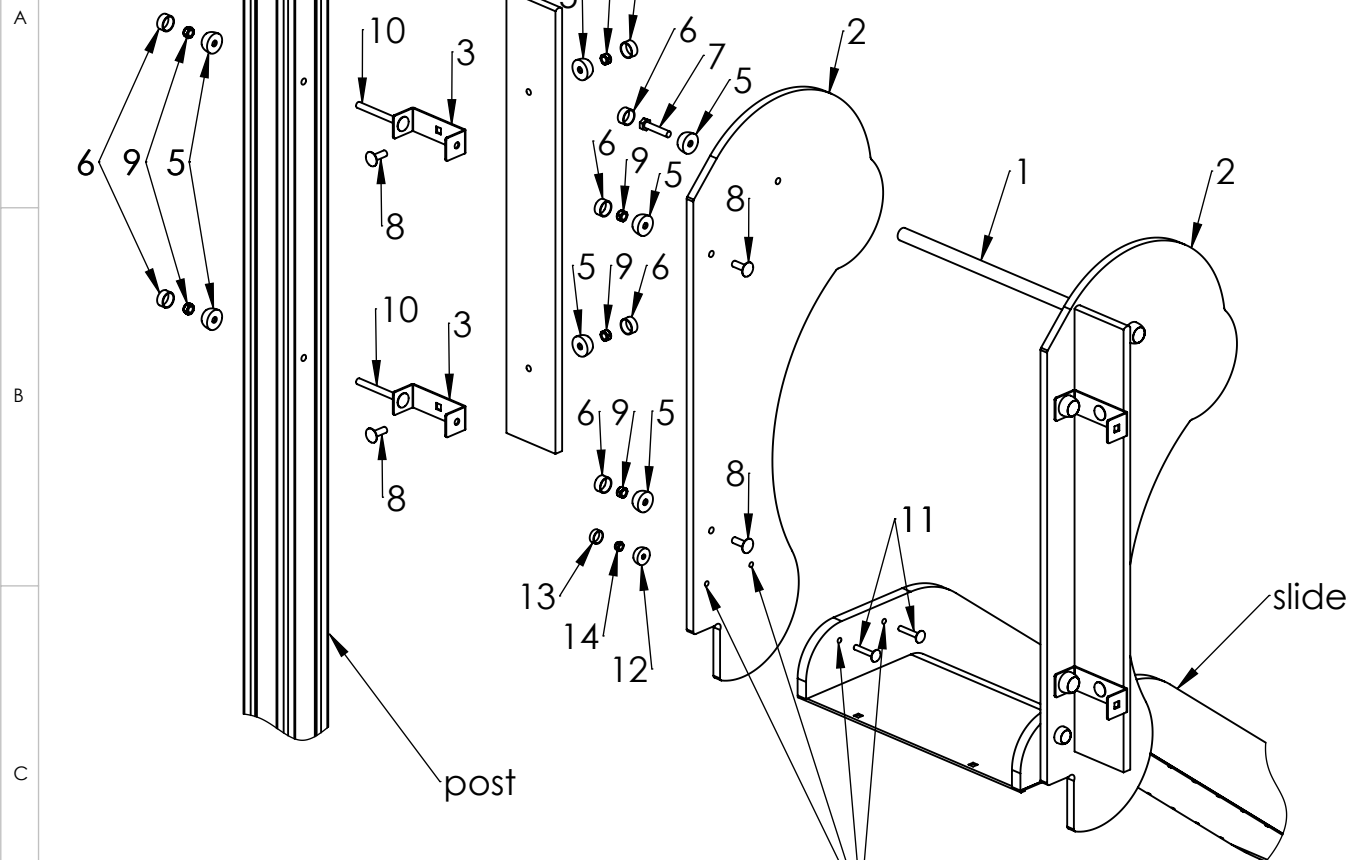
SCALE: 1:10

SHEET 9 OF 15



Tiptap OÜ

Tiptap OÜ
Veetorni 9,
Jüri alevik, Rae vald,
75301 Harjumaa



It is important to drill 8,5mm holes through side panel and slide.

ITEM NO.	PART NUMBER
1	slide guardrail
2	slide side panel
3	slide side panel fixing 40x120
4	side panel 110x780
5	nut cover M10
6	nut cover cap M10
7	bolt DIN931 M10x50
8	bolt DIN603 M10x30
9	nut DIN985 M10
10	bolt DIN603 M10x100
11	bolt DIN603 M8x45
12	nut cover M8
13	nut cover cap M8
14	nut DIN985 M8

UNLESS OTHERWISE SPECIFIED:
DIMENSIONS ARE IN MILLIMETERS
WEIGHT ARE IN KILOGRAMM

PART NUMBER / DWG NO.:

LM213-1

	NAME	SIGNATURE	DATE	REVISION
DRAWN	M.Rebase		17.06.2014	
APPV'D				

DESCRIPTION:

Play Centre DANUTA
connecting slide guard block to post

MATERIAL:

wood, metal, plastic

A4

WEIGHT:

SCALE: 1:12

SHEET 10 OF 15



Tiptap OÜ

Tiptap OÜ
Veetorni 9,
Jüri alevik, Rae vald,
75301 Harjumaa

A

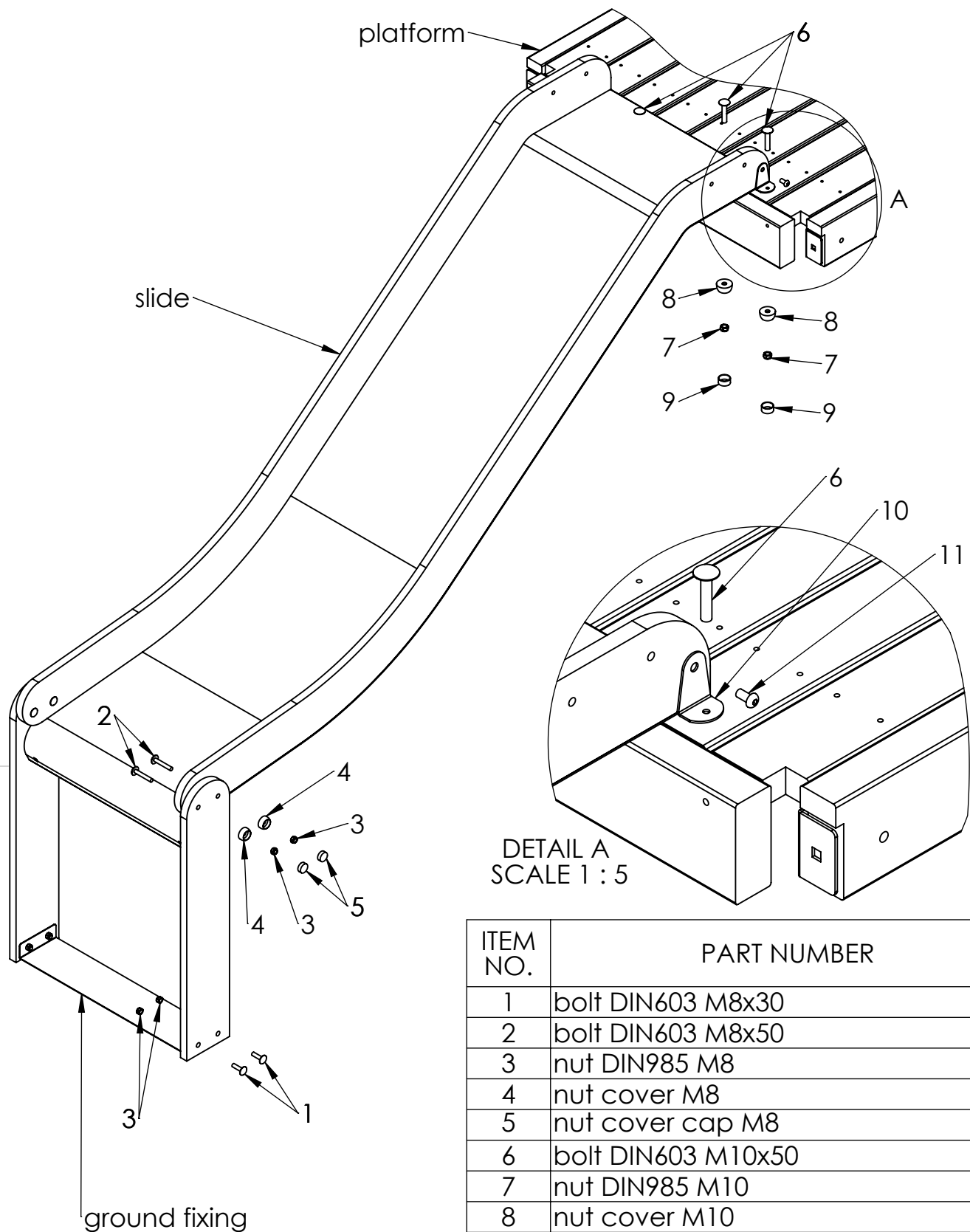
B

C

D

E

F



DETAIL A
SCALE 1 : 5

ITEM NO.	PART NUMBER
1	bolt DIN603 M8x30
2	bolt DIN603 M8x50
3	nut DIN985 M8
4	nut cover M8
5	nut cover cap M8
6	bolt DIN603 M10x50
7	nut DIN985 M10
8	nut cover M10
9	nut cover cap M10
10	corner 58x30
11	metal screw DIN 7380 M8x16

UNLESS OTHERWISE SPECIFIED:
DIMENSIONS ARE IN MILLIMETERS
WEIGHT ARE IN KILOGRAMM

	NAME	SIGNATURE	DATE	REVISION
DRAWN	M.Rebase		17.06.2014	
APPV'D				

PART NUMBER / DWG NO.:

LM213-1

DESCRIPTION:

Play Centre DANUTA
connecting slide to platform

MATERIAL:

wood, metal, plastic

A4

WEIGHT:

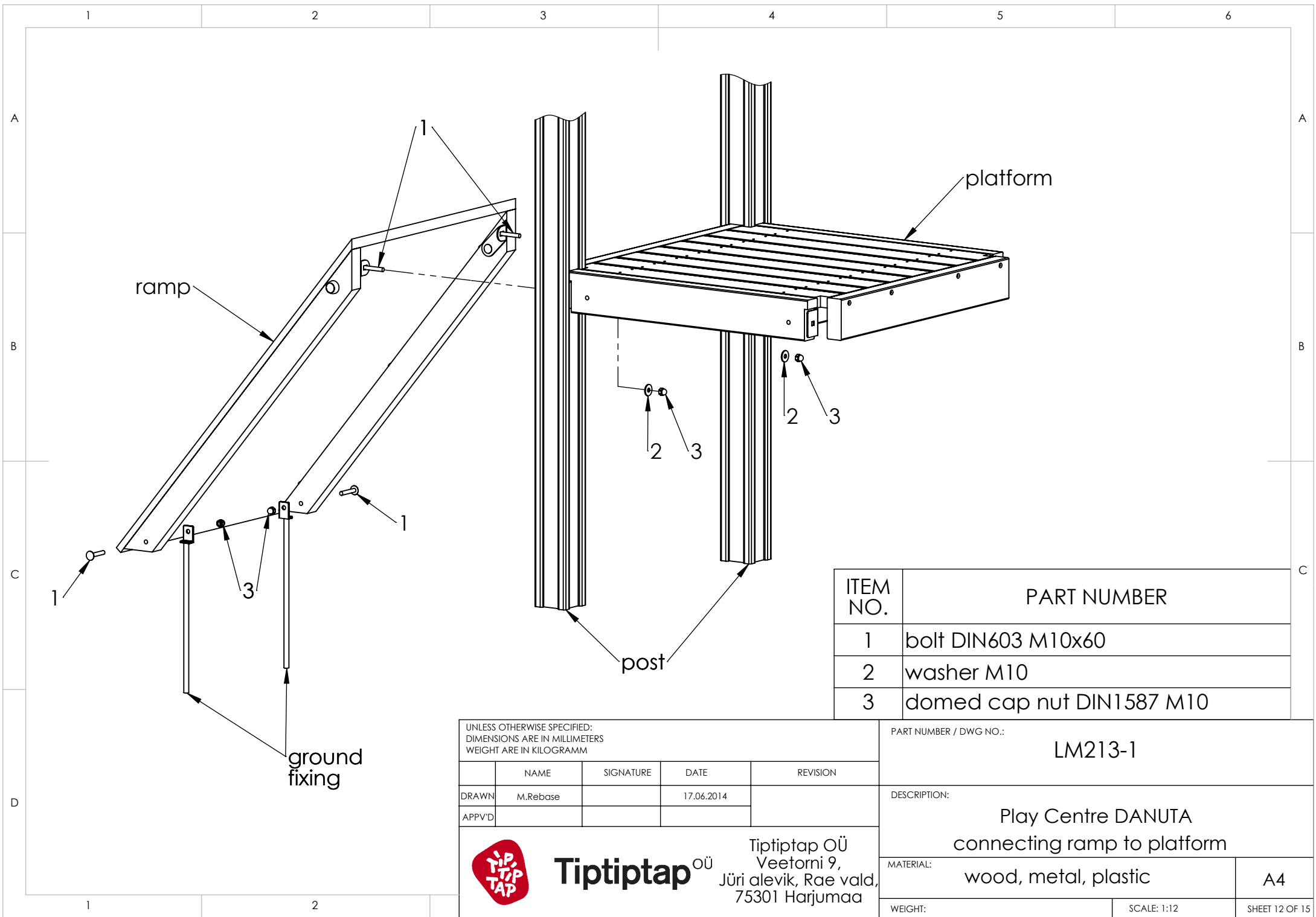
SCALE: 1:12

SHEET 11 OF 15



Tiptaptap OÜ

Tiptaptap OÜ
Veetorni 9,
Jüri alevik, Rae vald,
75301 Harjumaa



ITEM NO.	PART NUMBER
1	bolt DIN603 M10x60
2	washer M10
3	domed cap nut DIN1587 M10

UNLESS OTHERWISE SPECIFIED:
 DIMENSIONS ARE IN MILLIMETERS
 WEIGHT ARE IN KILOGRAMM

	NAME	SIGNATURE	DATE	REVISION
DRAWN	M.Rebase		17.06.2014	
APPV'D				



Tiptaptap OÜ
 Tiptaptap OÜ
 Veetorni 9,
 Jüri alevik, Rae vald,
 75301 Harjumaa

PART NUMBER / DWG NO.:
LM213-1

DESCRIPTION:
**Play Centre DANUTA
 connecting ramp to platform**

MATERIAL:	wood, metal, plastic	A4
WEIGHT:	SCALE: 1:12	SHEET 12 OF 15

A

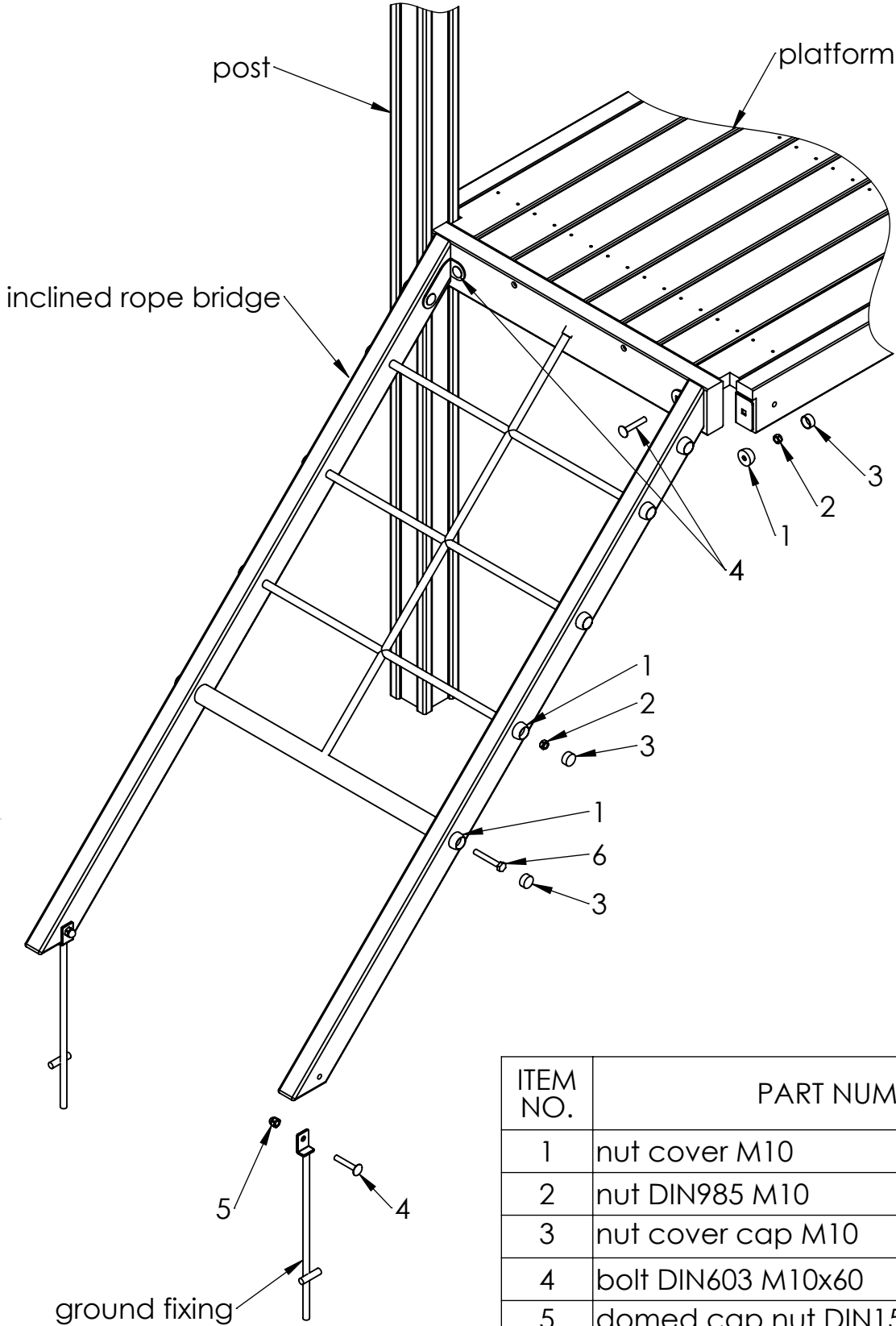
B

C

D

E

F



ITEM NO.	PART NUMBER
1	nut cover M10
2	nut DIN985 M10
3	nut cover cap M10
4	bolt DIN603 M10x60
5	domed cap nut DIN1587 M10
6	bolt DIN931 M10x70
7	bolt DIN603 M10x50

UNLESS OTHERWISE SPECIFIED:
 DIMENSIONS ARE IN MILLIMETERS
 WEIGHT ARE IN KILOGRAMM

PART NUMBER / DWG NO.:
LM213-1

	NAME	SIGNATURE	DATE	REVISION
DRAWN	M.Rebase		17.06.2014	
APPV'D				

DESCRIPTION:
Play Centre DANUTA
 connecting inclined climbing net to platform



Tiptiptap OÜ

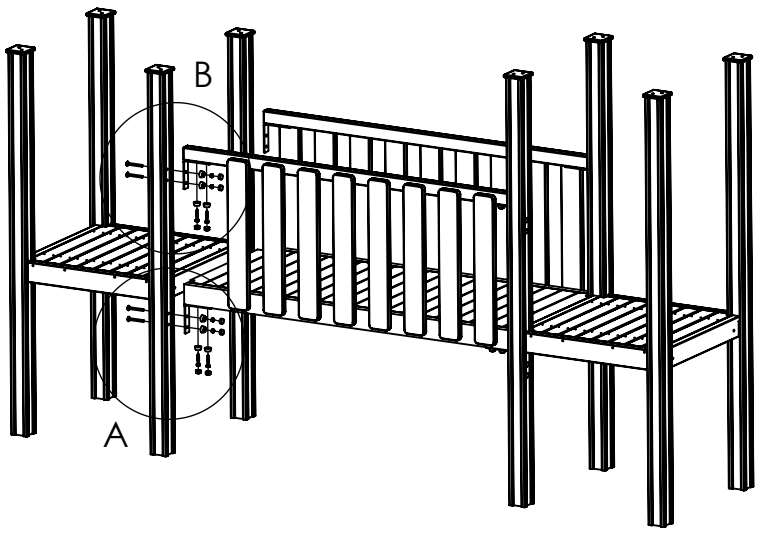
Tiptiptap OÜ
 Veetorni 9,
 Jüri alevik, Rae vald,
 75301 Harjumaa

MATERIAL: wood, metal, plastic

A4

WEIGHT: SCALE: 1:12 SHEET 13 OF 15

A

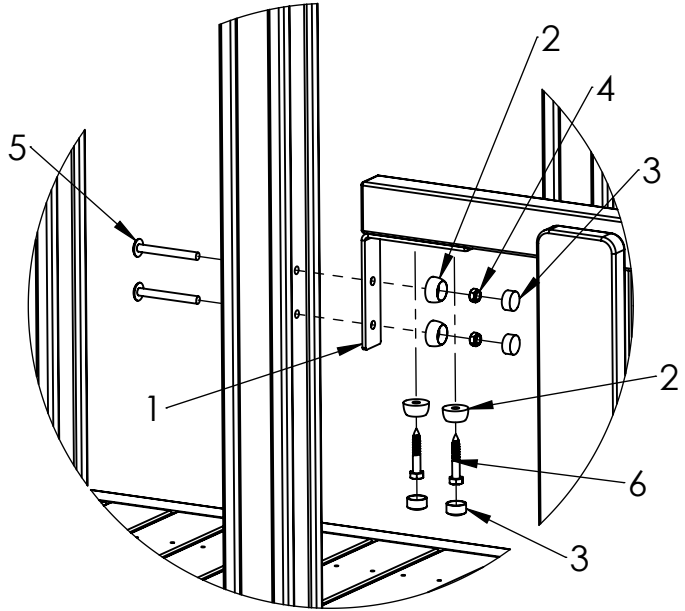


ITEM NO.	PART NUMBER
1	corner 160x160x45
2	nut cover M10
3	nut cover cap M10
4	nut DIN985 M10
5	bolt DIN603 M10x90
6	wood screw DIN571 10x60

A

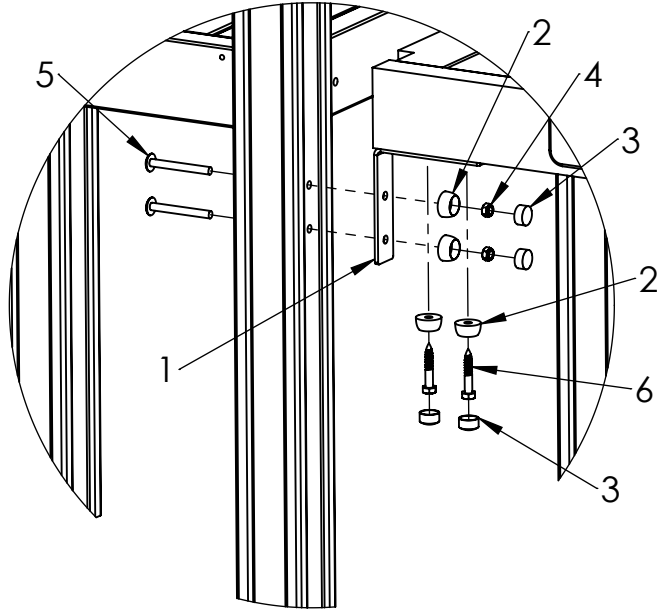
B

DETAIL B
SCALE 1 : 10



B

DETAIL A
SCALE 1 : 10



C

C

D

UNLESS OTHERWISE SPECIFIED:
DIMENSIONS ARE IN MILLIMETERS
WEIGHT ARE IN KILOGRAMM

PART NUMBER / DWG NO.:
LM213-1

	NAME	SIGNATURE	DATE	REVISION
DRAWN	M.Rebase		17.06.2014	
APPV'D				

DESCRIPTION:
**Play Centre DANUTA
connecting bridge to post**

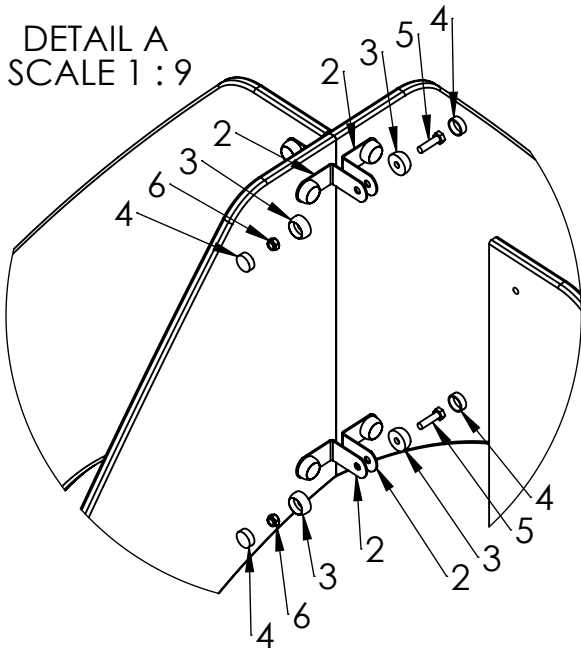


Tiptaptap OÜ
Tiptaptap OÜ
Veetorni 9,
Jüri alevik, Rae vald,
75301 Harjumaa

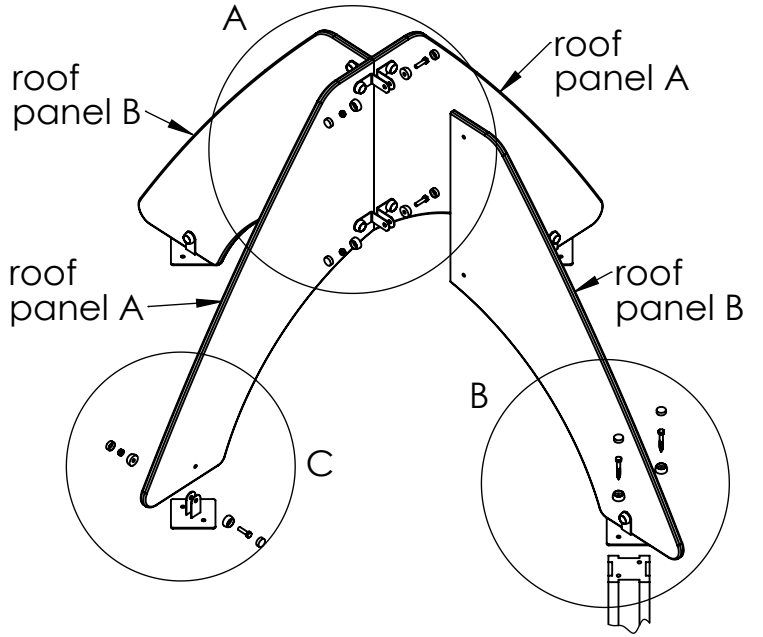
MATERIAL:	wood, metal, plastic	A4
WEIGHT:	SCALE: 1:40	SHEET 14 OF 15

A

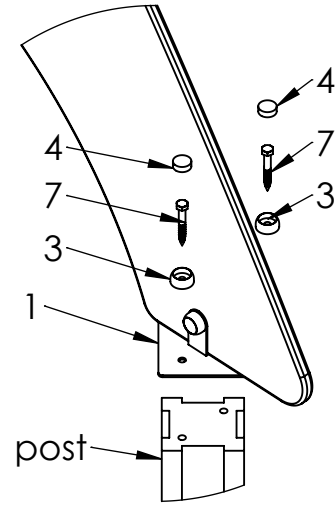
DETAIL A
SCALE 1 : 9



B

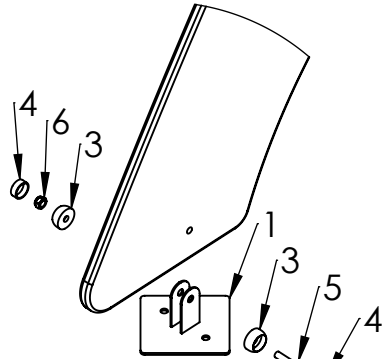


C



DETAIL B
SCALE 1 : 9

D



DETAIL C
SCALE 1 : 9

E

ITEM NO.	PART NUMBER
1	roof fixture
2	corner 60x60
3	nut cover M8
4	nut cover cap M8
5	bolt DIN933 M8x30
6	nut DIN985 M8
7	wood screw DIN571 8x60

F

UNLESS OTHERWISE SPECIFIED:
DIMENSIONS ARE IN MILLIMETERS
WEIGHT ARE IN KILOGRAMM

PART NUMBER / DWG NO.:

LM213-1

NAME	SIGNATURE	DATE	REVISION
DRAWN M.Rebase		17.06.2014	
APPV'D			

DESCRIPTION:

Play Centre DANUTA
connecting roof to post

MATERIAL:

wood, metal, plastic

A4

WEIGHT:

SCALE: 1:18

SHEET 15 OF 15



Tiptap OÜ

Tiptap OÜ
Veetorni 9,
Jüri alevik, Rae vald,
75301 Harjumaa