

A

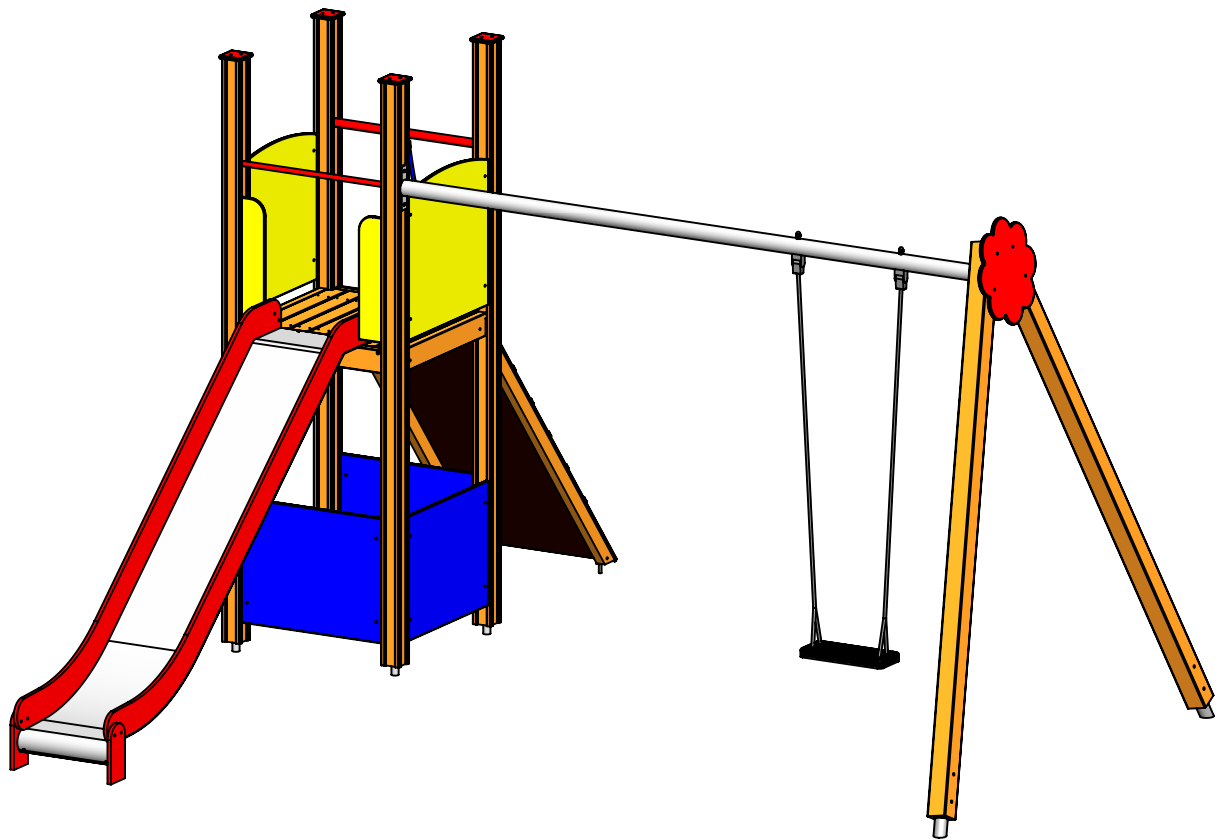
B

C

D

E

F



UNLESS OTHERWISE SPECIFIED:  
 DIMENSIONS ARE IN MILLIMETERS  
 WEIGHT ARE IN KILOGRAMM

PART NUMBER / DWG NO.:

LM211

	NAME	SIGNATURE	DATE	REVISION
DRAWN	M.Rebase		15.05.2015	
APPV'D				

DESCRIPTION:

Play Centre PAUL



**Tiptaptap** OÜ

Tiptaptap OÜ  
 Veetorni 9,  
 Jüri alevik, Rae vald,  
 75301 Harjumaa

MATERIAL:

wood, metal, plastic

A4

WEIGHT:

SCALE: 1:35

SHEET 1 OF 16

# safety area

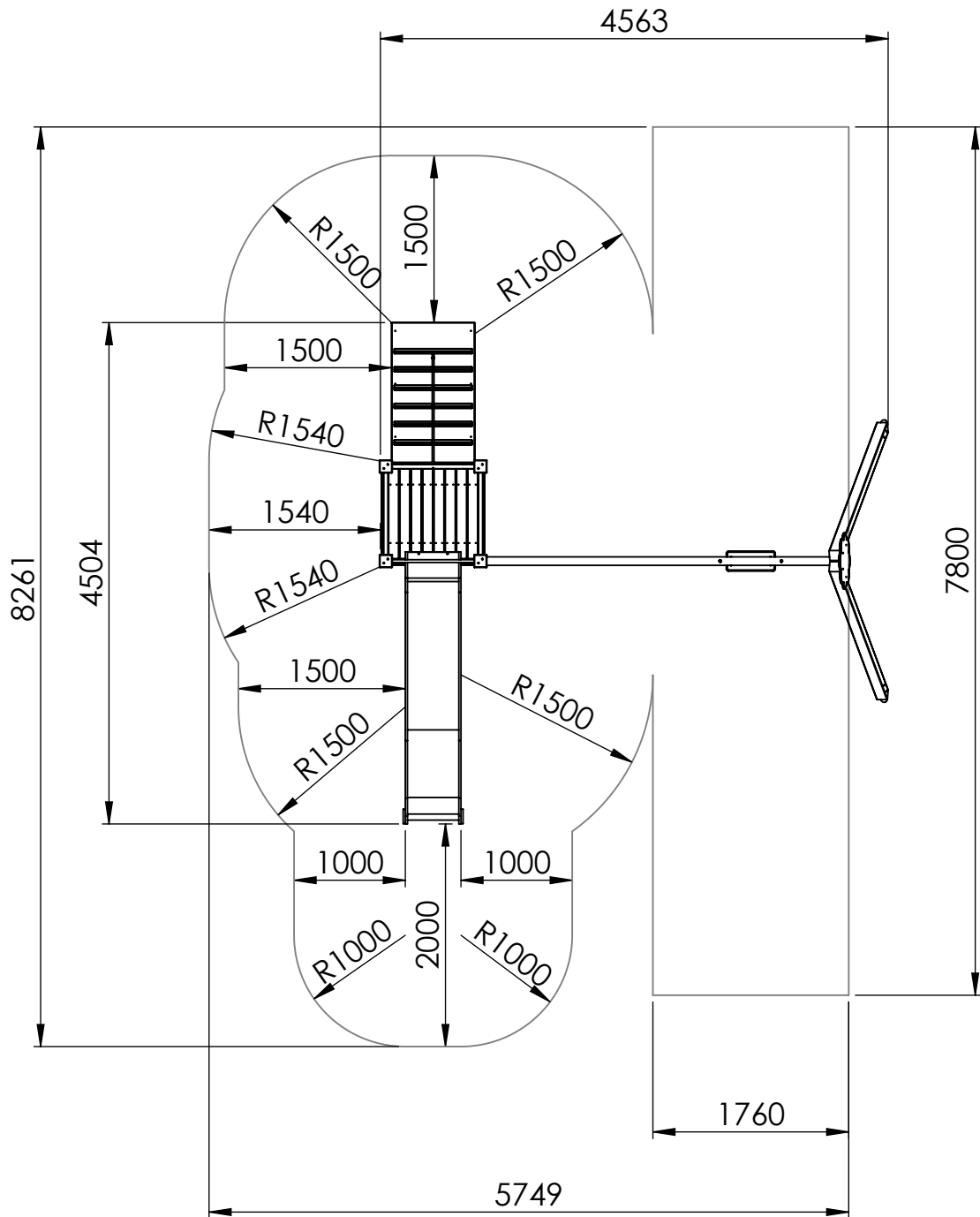
A

B

C

D

E



UNLESS OTHERWISE SPECIFIED:  
DIMENSIONS ARE IN MILLIMETERS  
WEIGHT ARE IN KILOGRAMM

PART NUMBER / DWG NO.:

LM211

	NAME	SIGNATURE	DATE	REVISION
DRAWN	M.Rebase		15.05.2015	
APPV'D				

DESCRIPTION:

Play Centre PAUL



**Tiptaptap** OÜ

Tiptaptap OÜ  
Veetorni 9,  
Jüri alevik, Rae vald,  
75301 Harjumaa

MATERIAL:

wood, metal, plastic

A4

WEIGHT:

SCALE: 1:60

SHEET 2 OF 16

# foundation

A

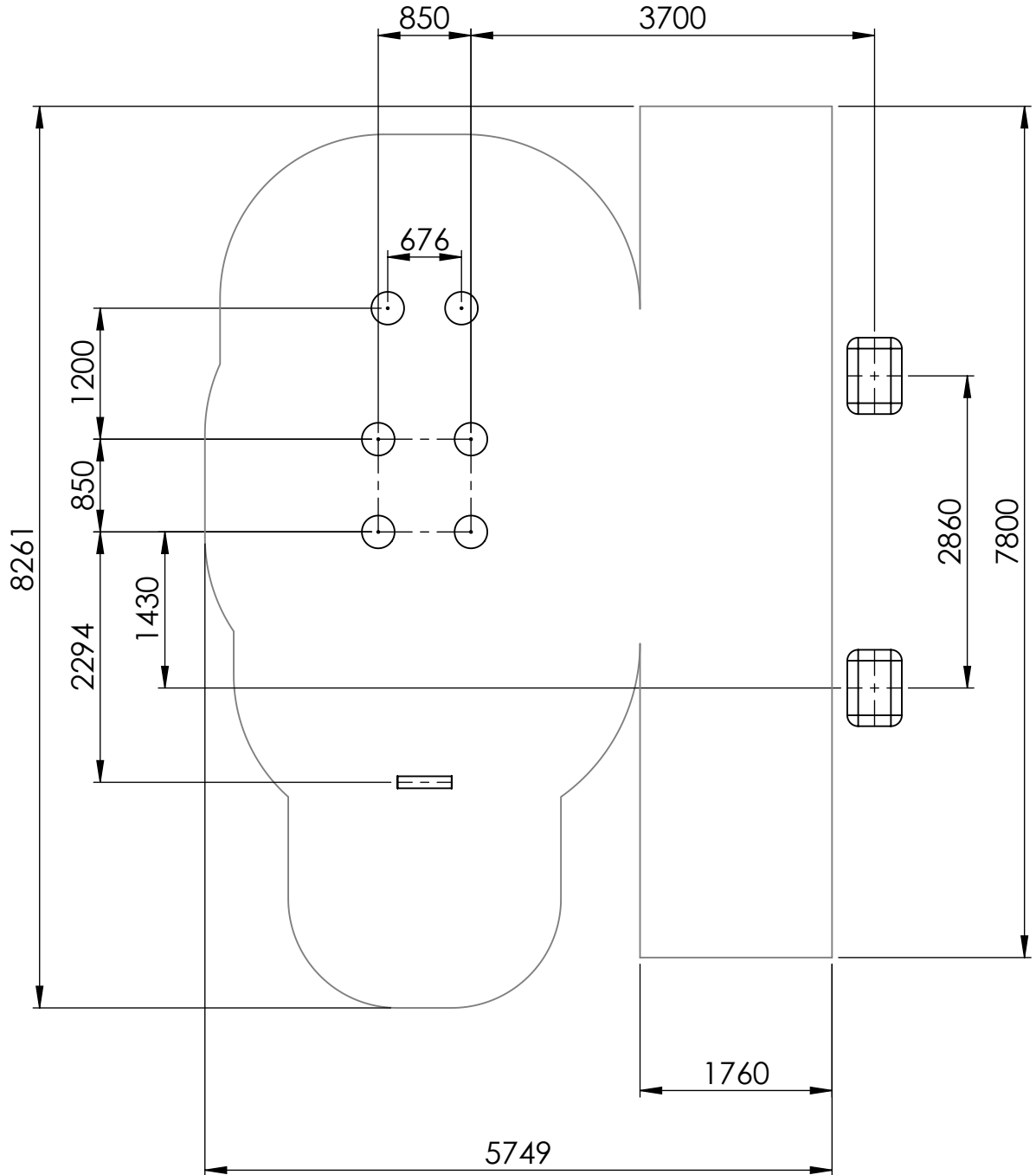
B

C

D

E

F



UNLESS OTHERWISE SPECIFIED:  
DIMENSIONS ARE IN MILLIMETERS  
WEIGHT ARE IN KILOGRAMM

PART NUMBER / DWG NO.:

LM211

	NAME	SIGNATURE	DATE	REVISION
DRAWN	M.Rebase		15.05.2015	
APPV'D				

DESCRIPTION:

Play Centre PAUL



**Tiptap** OÜ

Tiptap OÜ  
Veetorni 9,  
Jüri alevik, Rae vald,  
75301 Harjumaa

MATERIAL:

wood, metal, plastic

A4

WEIGHT:

SCALE: 1:60

SHEET 3 OF 16

A

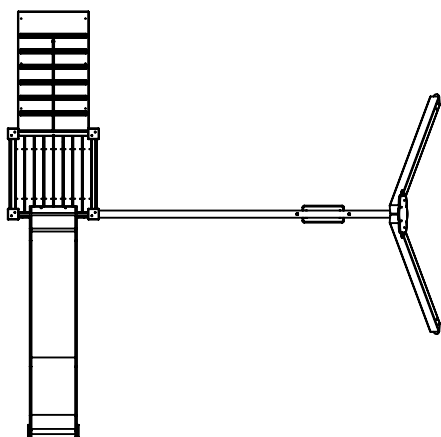
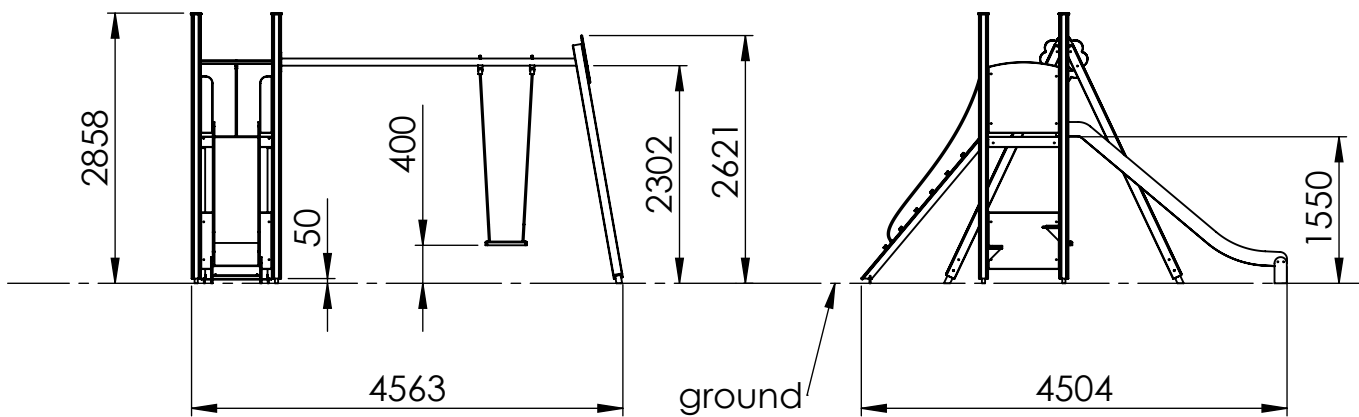
B

C

D

E

F



UNLESS OTHERWISE SPECIFIED:  
 DIMENSIONS ARE IN MILLIMETERS  
 WEIGHT ARE IN KILOGRAMM

	NAME	SIGNATURE	DATE	REVISION
DRAWN	M.Rebase		15.05.2015	
APPV'D				

PART NUMBER / DWG NO.:  
**LM211**

DESCRIPTION:  
**Play Centre PAUL**



**Tiptaptap** OÜ

Tiptaptap OÜ  
 Veetorni 9,  
 Jüri alevik, Rae vald,  
 75301 Harjumaa

MATERIAL: wood, metal, plastic

A4

WEIGHT: SCALE: 1:80 SHEET 4 OF 16

A

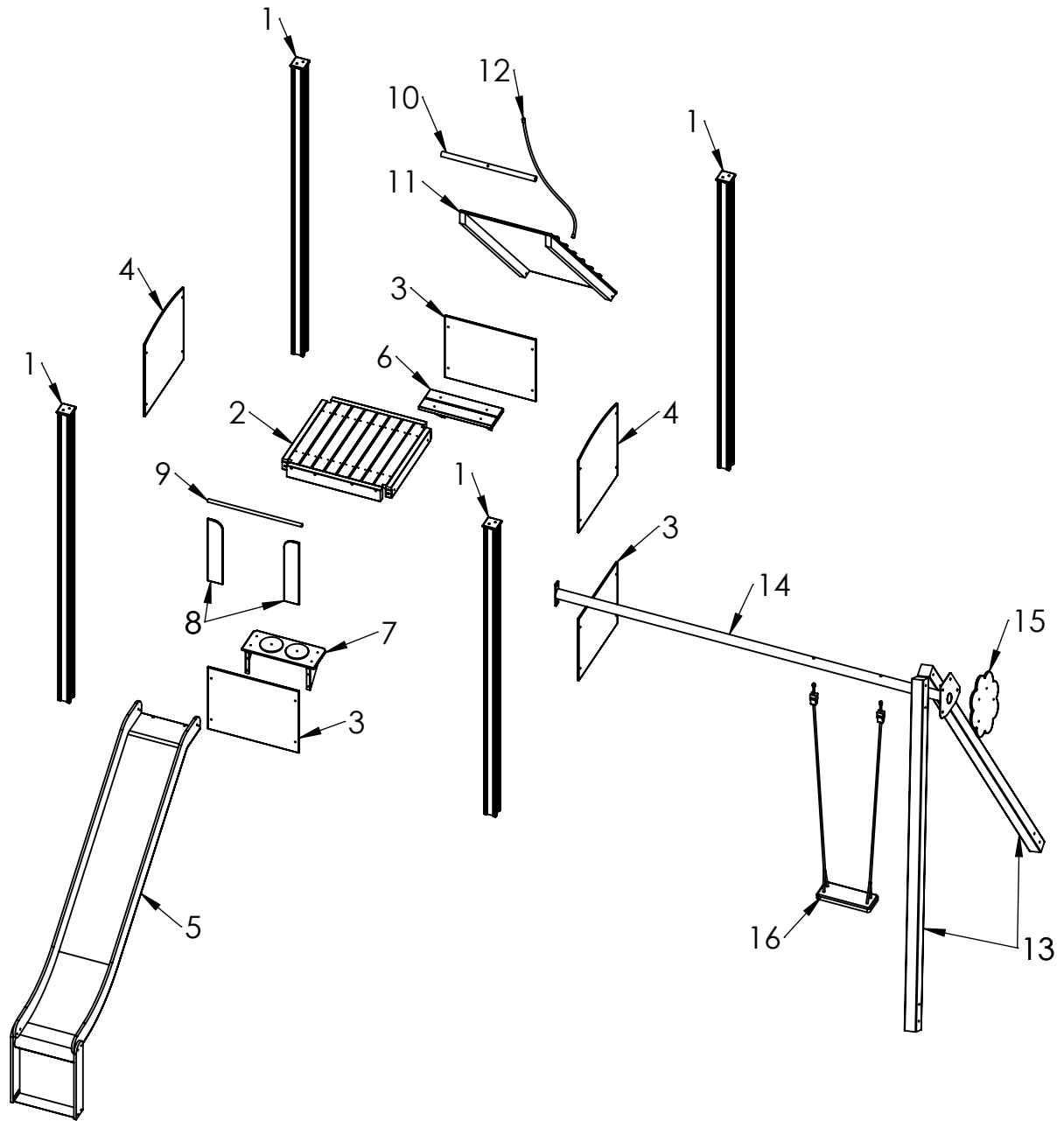
B

C

D

E

F



UNLESS OTHERWISE SPECIFIED:  
 DIMENSIONS ARE IN MILLIMETERS  
 WEIGHT ARE IN KILOGRAMM

	NAME	SIGNATURE	DATE	REVISION
DRAWN	M.Rebase		15.05.2015	
APPV'D				

PART NUMBER / DWG NO.:  
**LM211**

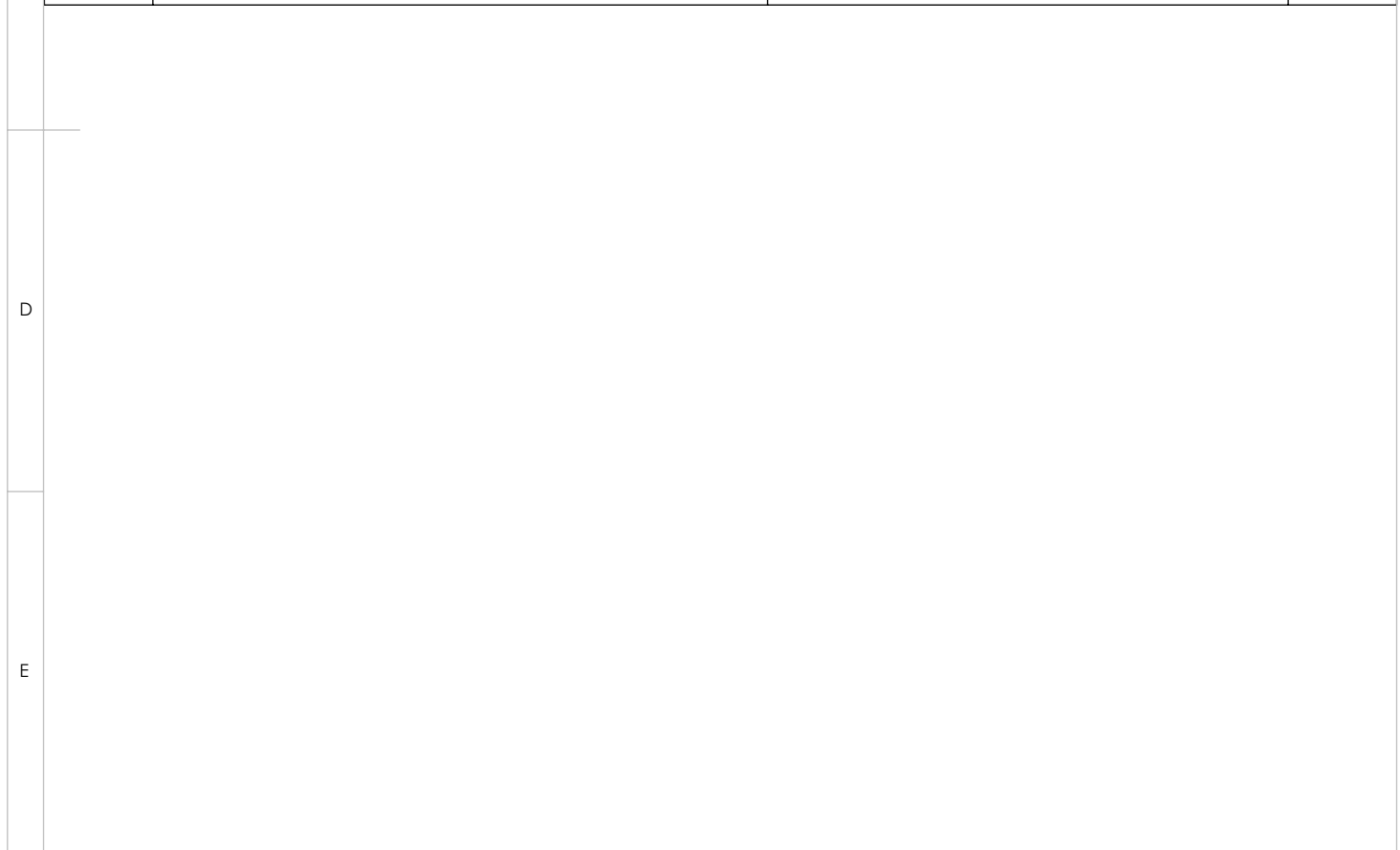
DESCRIPTION:  
**Play Centre PAUL**



**Tiptaptap** OÜ  
 Veetorni 9,  
 Jüri alevik, Rae vald,  
 75301 Harjumaa

MATERIAL:	wood, metal, plastic	A4
WEIGHT:		SCALE: 1:50
		SHEET 5 OF 16

ITEM NO.	PART NUMBER	DESCRIPTION	QTY.
1	post 98x98x2800	laminated wood	4
2	platform	laminated wood, metal	1
3	panel 750x600	plywood	3
4	panel 750x750	plywood	2
5	slide h_1550	stainless steel, PE plastic	1
6	playcorner-bench	laminated wood, plastic	1
7	playcorner-kitchen	plywood, plastic	1
8	panel 125x600	plywood	2
9	guardrail Ø25x770	painted steel	1
10	guardrail Ø40x770 with 1 hole	painted steel	1
11	climbing panel h.1550	laminated wood, plywood	1
12	rope Ø16x1500	PP covered steel wire	1
13	post 98x98x2720	laminated wood	2
14	beam 76x3245	galvanized steel	1
15	side fixture	plastic	1
16	seat complect with fixings	rubber compound with aluminium insert	1



UNLESS OTHERWISE SPECIFIED: DIMENSIONS ARE IN MILLIMETERS WEIGHT ARE IN KILOGRAMM				
	NAME	SIGNATURE	DATE	REVISION
DRAWN	M.Rebase		15.05.2015	
APPV'D				

PART NUMBER / DWG NO.:	LM211
DESCRIPTION:	Play Centre PAUL



**Tiptaptap** OÜ  
 Veetorni 9,  
 Jüri alevik, Rae vald,  
 75301 Harjumaa

MATERIAL:	wood, metal, plastic	A4
WEIGHT:	SCALE: 1:50	SHEET 6 OF 16

A

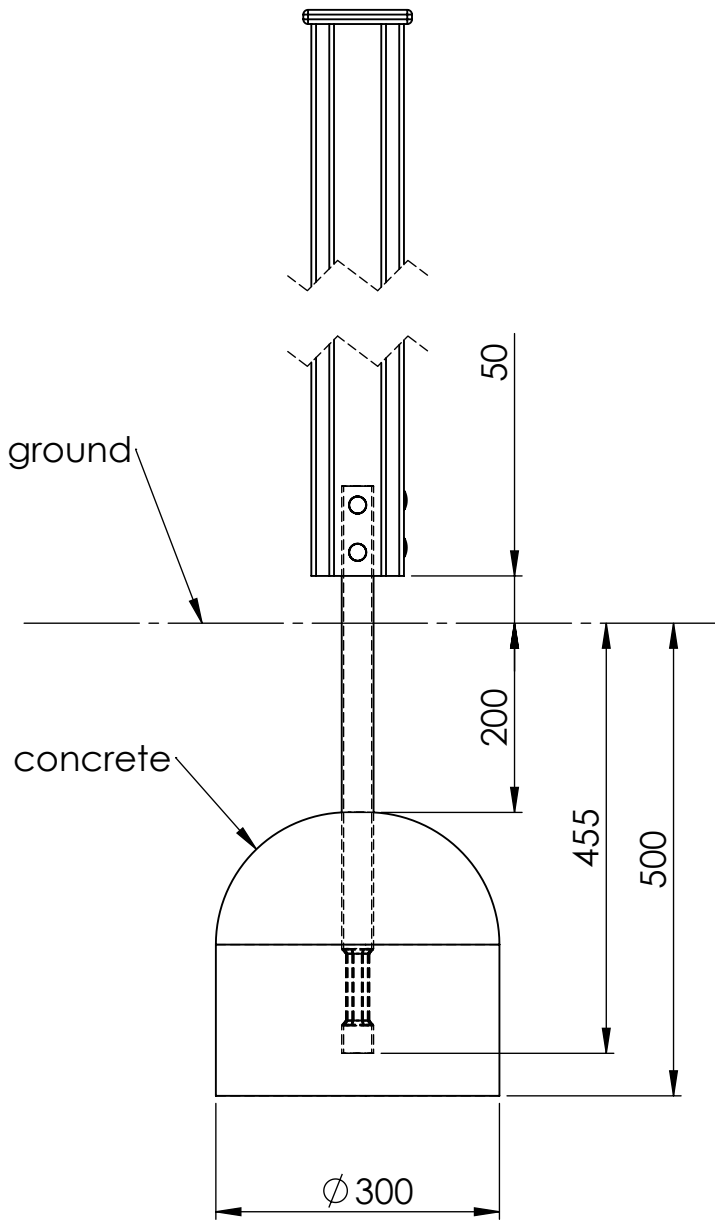
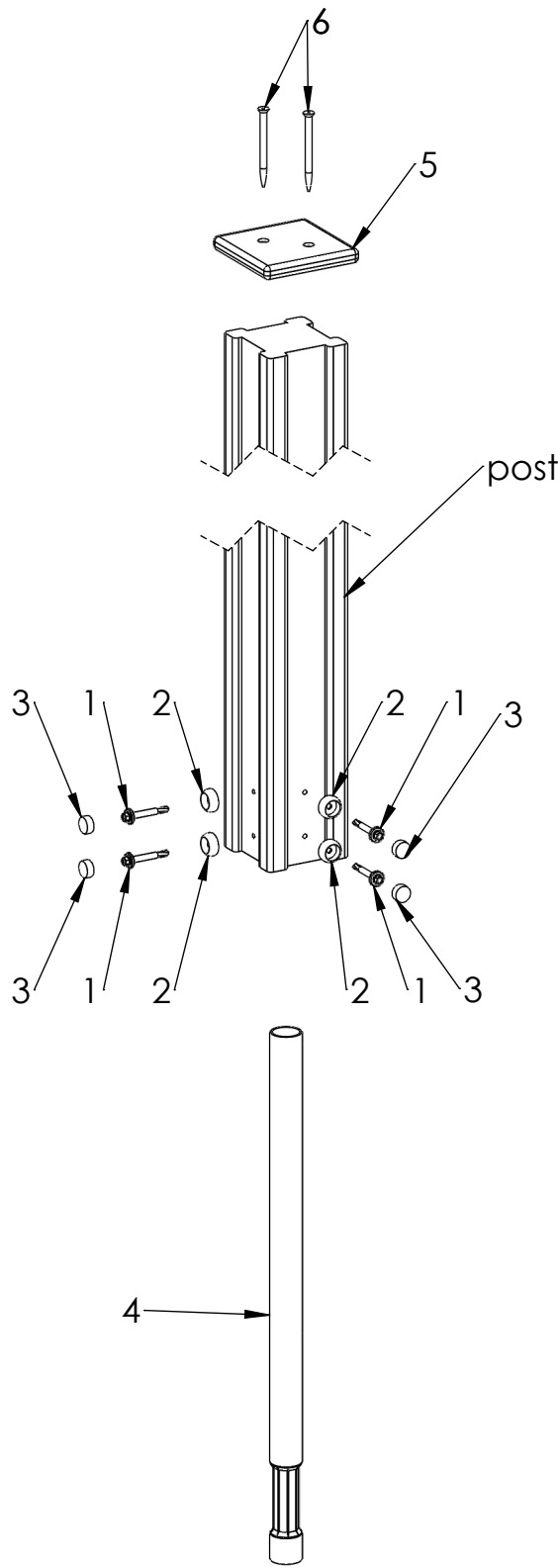
B

C

D

E

F



ITEM NO.	PART NUMBER
1	screw DIN7504K 5,5x50
2	nut cover M6
3	nut cover cap M6
4	metal ground fixing L_600
5	plastic cap 115x115
6	woodscrew 6 x 90

UNLESS OTHERWISE SPECIFIED:  
DIMENSIONS ARE IN MILLIMETERS  
WEIGHT ARE IN KILOGRAMM

NAME	SIGNATURE	DATE	REVISION
DRAWN M.Rebase		15.05.2015	
APPV'D			

PART NUMBER / DWG NO.:  
**LM211**

DESCRIPTION:  
**Play Centre PAUL  
connecting metal ground fixing to post**



**Tiptiptap** OÜ

Tiptiptap OÜ  
Veetorni 9,  
Jüri alevik, Rae vald,  
75301 Harjumaa

MATERIAL: wood, metal, plastic	A4
WEIGHT:	SCALE: 1:8
	SHEET 7 OF 16

A

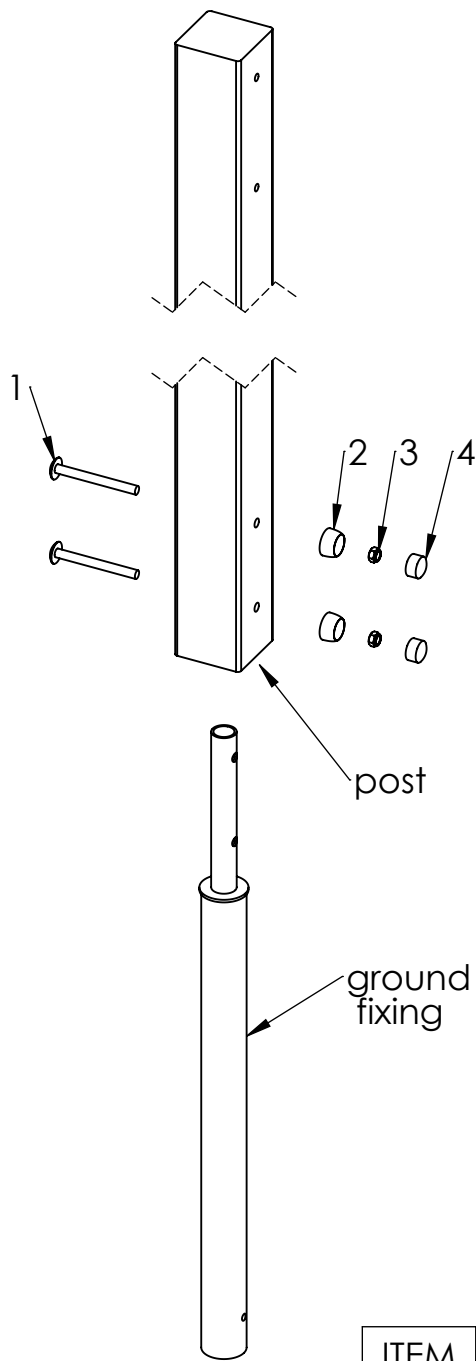
B

C

D

E

F



ITEM NO.	PART NUMBER
1	bolt DIN603 M12x120
2	nut cover M12
3	nut DIN985 M12
4	nut cover cap M12

UNLESS OTHERWISE SPECIFIED:  
 DIMENSIONS ARE IN MILLIMETERS  
 WEIGHT ARE IN KILOGRAMM

PART NUMBER / DWG NO.:

LM211

	NAME	SIGNATURE	DATE	REVISION
DRAWN	M.Rebase		15.05.2015	
APPV'D				

DESCRIPTION:

Play Centre PAUL



**Tiptaptap** OÜ

Tiptaptap OÜ  
 Veetorni 9,  
 Jüri alevik, Rae vald,  
 75301 Harjumaa

MATERIAL:

wood, metal, plastic

A4

WEIGHT:

SCALE: 1:10

SHEET 8 OF 16



1

2

3

4

A

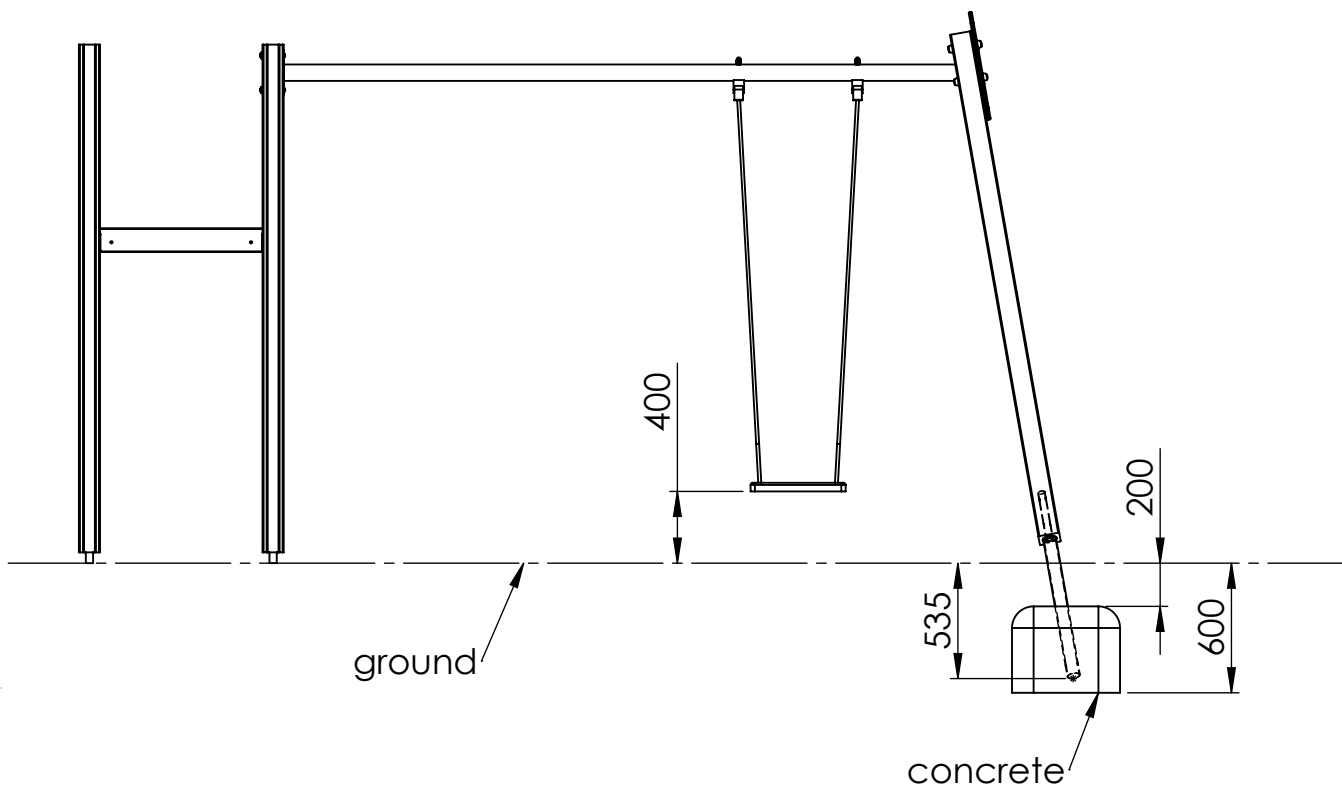
B

C

D

E

F



UNLESS OTHERWISE SPECIFIED:  
DIMENSIONS ARE IN MILLIMETERS  
WEIGHT ARE IN KILOGRAMM

PART NUMBER / DWG NO.:

LM211

	NAME	SIGNATURE	DATE	REVISION
DRAWN	M.Rebase		15.05.2015	
APPV'D				

DESCRIPTION:

Play Centre PAUL



**Tiptaptap** OÜ

Tiptaptap OÜ  
Veetorni 9,  
Jüri alevik, Rae vald,  
75301 Harjumaa

MATERIAL:

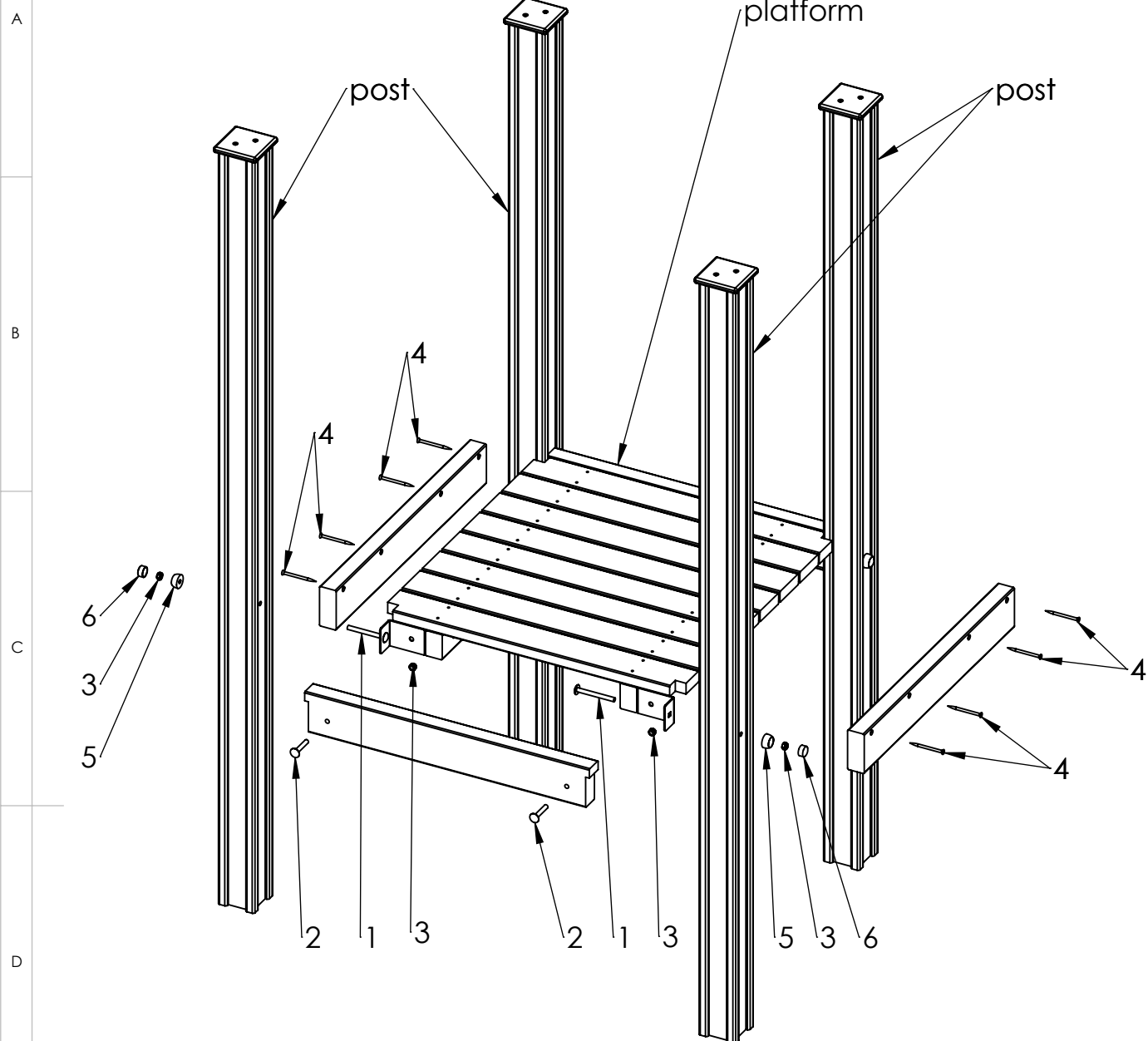
wood, metal, plastic

A4

WEIGHT:

SCALE: 1:35

SHEET 9 OF 16



E

ITEM NO.	PART NUMBER
1	bolt DIN603 M10x100
2	bolt DIN603 M10x60
3	nut DIN985 M10
4	woodscrew 6 x 90
5	nut cover M10
6	nut cover cap M10

F

UNLESS OTHERWISE SPECIFIED:  
DIMENSIONS ARE IN MILLIMETERS  
WEIGHT ARE IN KILOGRAMM

	NAME	SIGNATURE	DATE	REVISION
DRAWN	M.Rebase		15.05.2015	
APPV'D				

PART NUMBER / DWG NO.:

LM211

DESCRIPTION:

Play Centre PAUL  
connecting platform to post

MATERIAL:

wood, metal, plastic

A4

WEIGHT:

SCALE: 1:15

SHEET 10 OF 16



**Tiptaptap** OÜ

Tiptaptap OÜ  
Veetorni 9,  
Jüri alevik, Rae vald,  
75301 Harjumaa

A

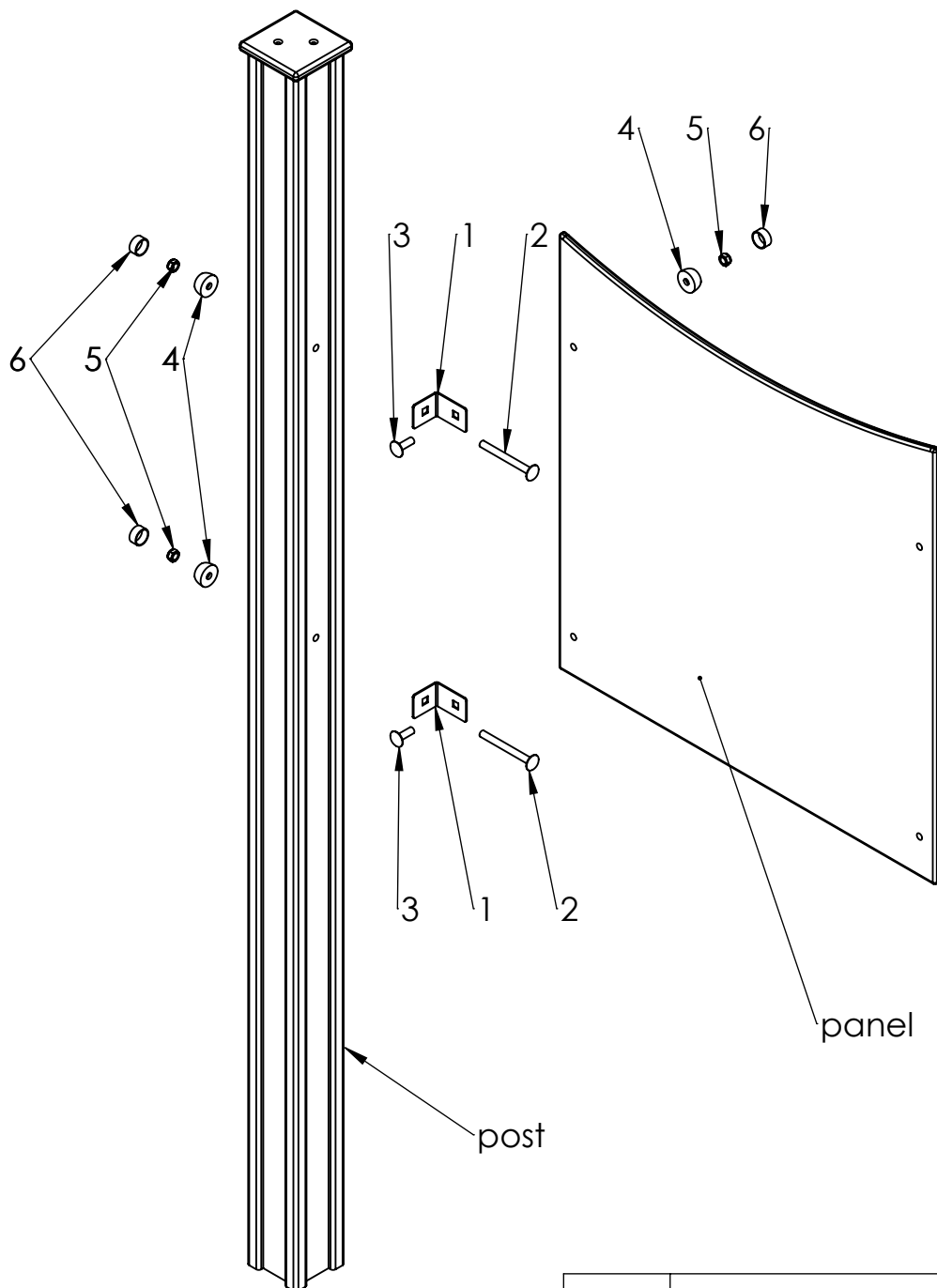
B

C

D

E

F



ITEM NO.	PART NUMBER
1	corner 48x60
2	bolt DIN603 M10x100
3	bolt DIN603 M10x30
4	nut cover M10
5	nut DIN985 M10
6	nut cover cap M10

UNLESS OTHERWISE SPECIFIED:  
DIMENSIONS ARE IN MILLIMETERS  
WEIGHT ARE IN KILOGRAMM

PART NUMBER / DWG NO.:

LM211

	NAME	SIGNATURE	DATE	REVISION
DRAWN	M.Rebase		15.05.2015	
APPV'D				

DESCRIPTION:

Play Centre PAUL  
connecting panel to post

MATERIAL:

wood, metal, plastic

A4

WEIGHT:

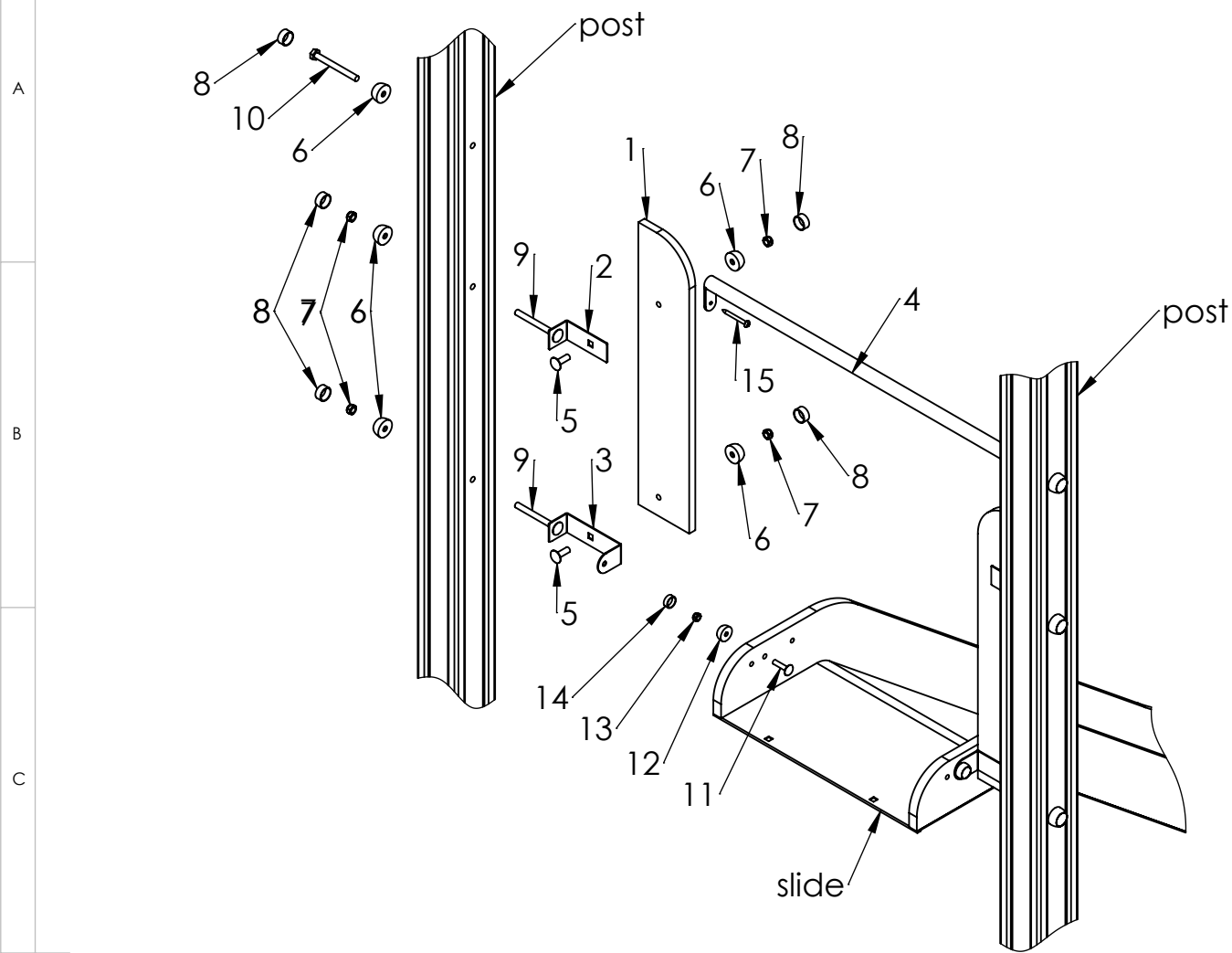
SCALE: 1:10

SHEET 11 OF 16



**Tiptap** OÜ

Tiptap OÜ  
Veetorni 9,  
Jüri alevik, Rae vald,  
75301 Harjumaa



ITEM NO.	PART NUMBER
1	slide side panel 125x600
2	slide side panel fixing 40x100
3	slide side panel fixing 40x135
4	guardrail $\phi$ 25x770
5	bolt DIN603 M10x30
6	nut cover M10
7	nut DIN985 M10
8	nut cover cap M10
9	bolt DIN603 M10x100
10	bolt DIN931 M10x100
11	bolt DIN603 M8x35
12	nut cover M8
13	nut DIN985 M8
14	nut cover cap M8
15	screw DIN7996 6x60

UNLESS OTHERWISE SPECIFIED:  
DIMENSIONS ARE IN MILLIMETERS  
WEIGHT ARE IN KILOGRAMM

PART NUMBER / DWG NO.:

LM211

	NAME	SIGNATURE	DATE	REVISION
DRAWN	M.Rebase		15.05.2015	
APPV'D				

DESCRIPTION:

Play Centre PAUL  
connecting slide side panel to post

MATERIAL:

wood, metal, plastic

A4

WEIGHT:

SCALE: 1:12

SHEET 12 OF 16



**Tiptaptap** OÜ

Tiptaptap OÜ  
Veetorni 9,  
Jüri alevik, Rae vald,  
75301 Harjumaa

A

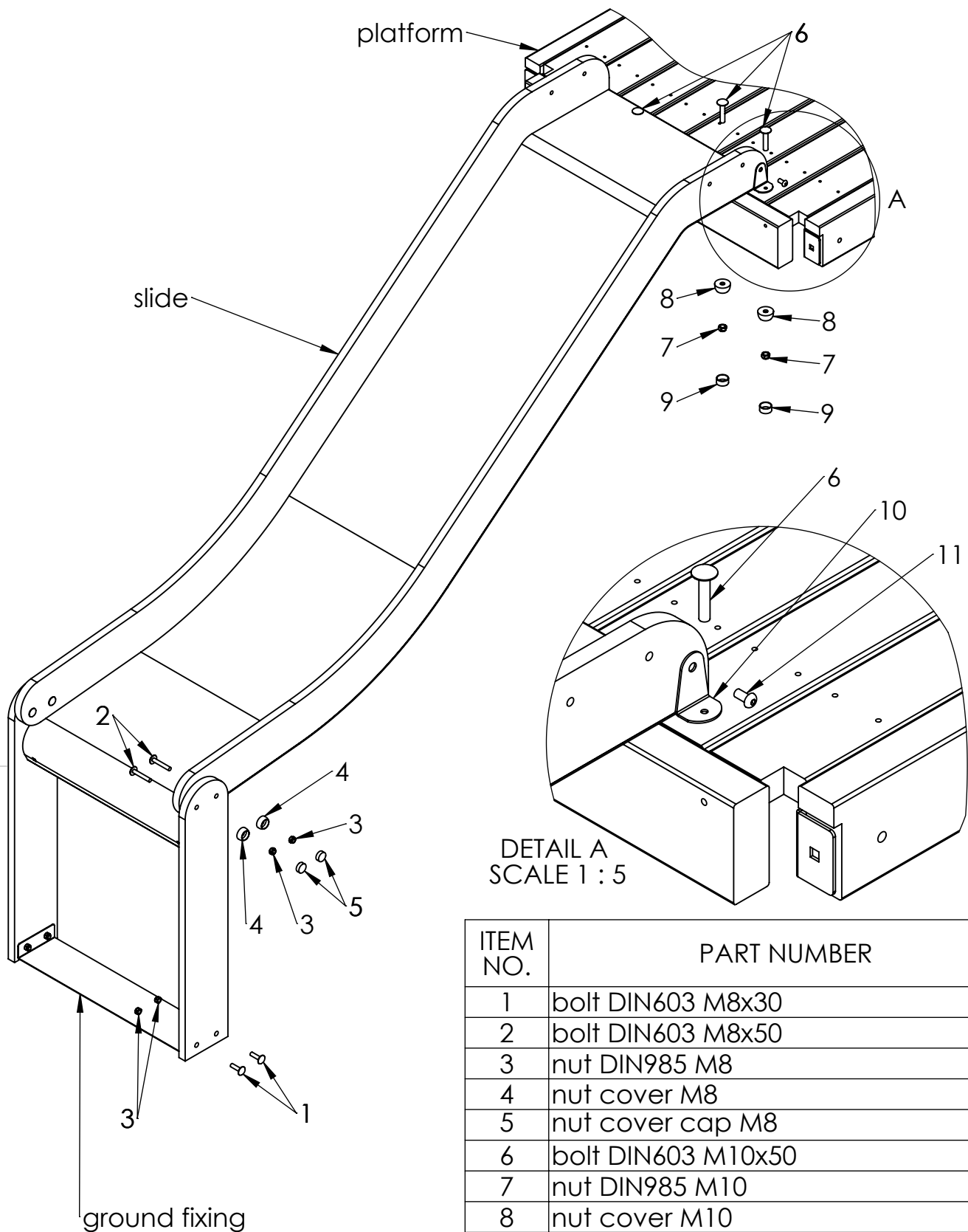
B

C

D

E

F



ITEM NO.	PART NUMBER
1	bolt DIN603 M8x30
2	bolt DIN603 M8x50
3	nut DIN985 M8
4	nut cover M8
5	nut cover cap M8
6	bolt DIN603 M10x50
7	nut DIN985 M10
8	nut cover M10
9	nut cover cap M10
10	corner 58x30
11	metal screw DIN 7380 M8x16

UNLESS OTHERWISE SPECIFIED:  
DIMENSIONS ARE IN MILLIMETERS  
WEIGHT ARE IN KILOGRAMM

	NAME	SIGNATURE	DATE	REVISION
DRAWN	M.Rebase		15.05.2015	
APPV'D				

PART NUMBER / DWG NO.:

LM211

DESCRIPTION:

Play Centre PAUL  
connecting slide to platform

MATERIAL:

wood, metal, plastic

A4

WEIGHT:

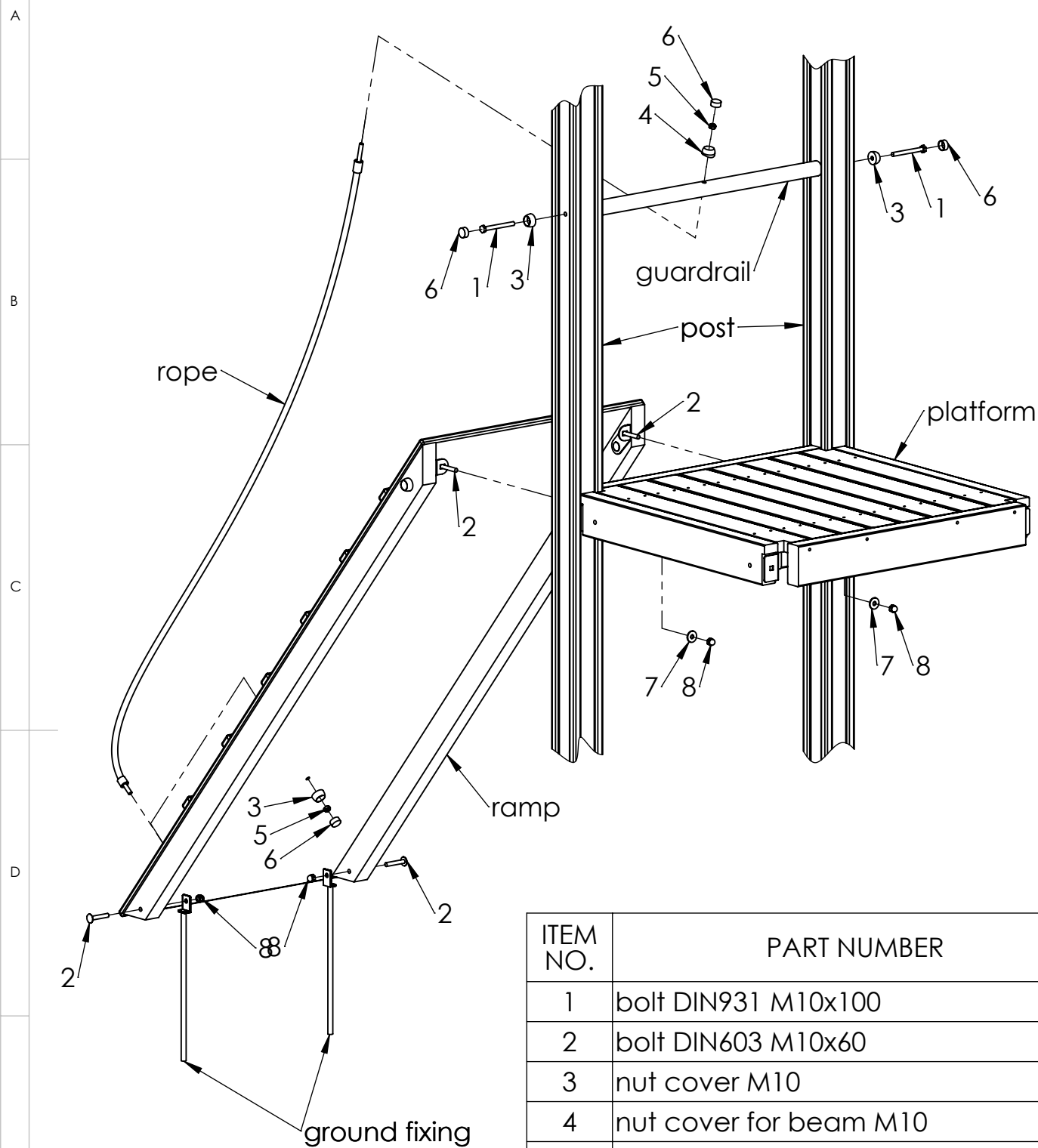
SCALE: 1:12

SHEET 13 OF 16



**Tiptaptap** OÜ

Tiptaptap OÜ  
Veetorni 9,  
Jüri alevik, Rae vald,  
75301 Harjumaa



ITEM NO.	PART NUMBER
1	bolt DIN931 M10x100
2	bolt DIN603 M10x60
3	nut cover M10
4	nut cover for beam M10
5	nut DIN985 M10
6	nut cover cap M10
7	washer M10
8	domed cap nut DIN1587 M10

UNLESS OTHERWISE SPECIFIED:  
DIMENSIONS ARE IN MILLIMETERS  
WEIGHT ARE IN KILOGRAMM

PART NUMBER / DWG NO.:

LM211

	NAME	SIGNATURE	DATE	REVISION
DRAWN	M.Rebase		15.05.2015	
APPV'D				

DESCRIPTION:

Play Centre PAUL  
connecting ramp with rope to platform

MATERIAL:

wood, metal, plastic

A4

WEIGHT:

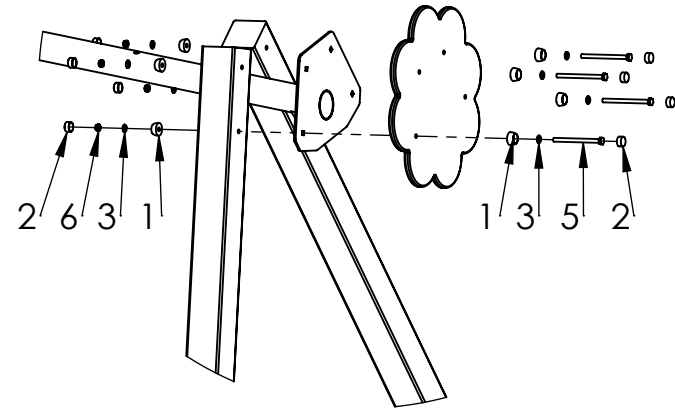
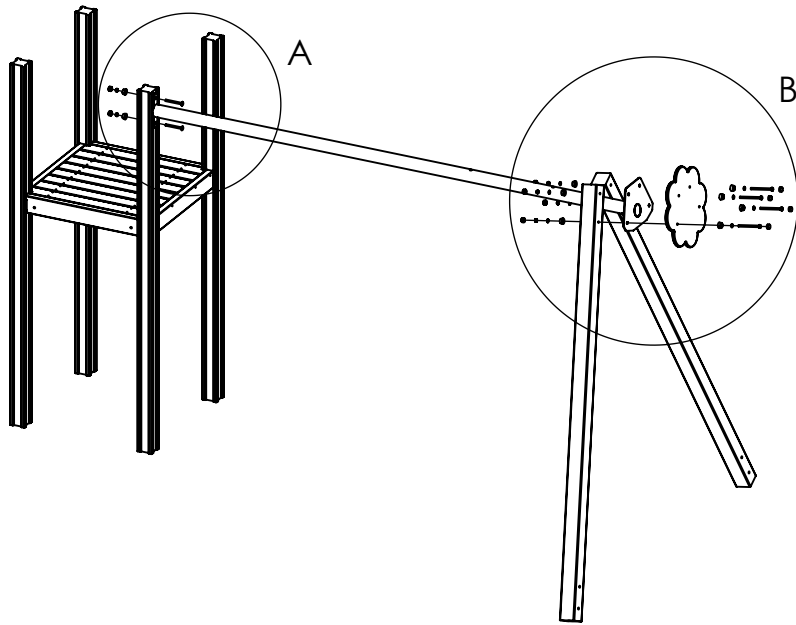
SCALE: 1:15

SHEET 14 OF 16

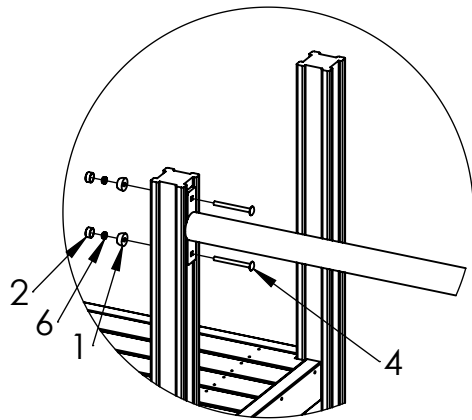


**Tiptaptap** OÜ

Tiptaptap OÜ  
Veetorni 9,  
Jüri alevik, Rae vald,  
75301 Harjumaa



DETAIL B  
SCALE 1 : 20



DETAIL A  
SCALE 1 : 20

ITEM NO.	PART NUMBER
1	nut cover M10
2	nut cover cap M10
3	washer M10
4	bolt DIN603 M10x110
5	bolt DIN931 M10x140
6	nut DIN985 M10

UNLESS OTHERWISE SPECIFIED:  
DIMENSIONS ARE IN MILLIMETERS  
WEIGHT ARE IN KILOGRAMM

	NAME	SIGNATURE	DATE	REVISION
DRAWN	M.Rebase		15.05.2015	
APPV'D				

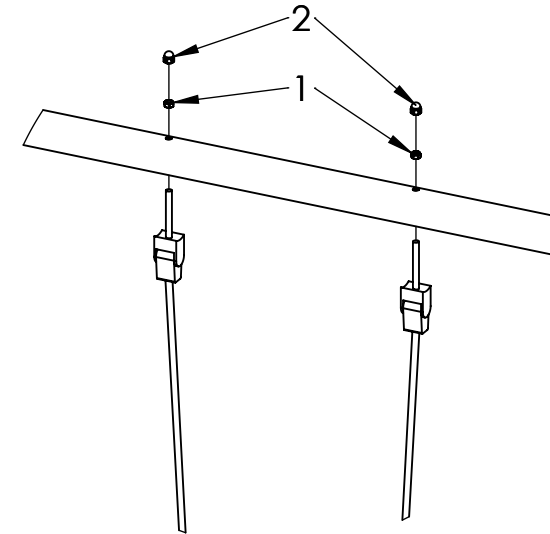
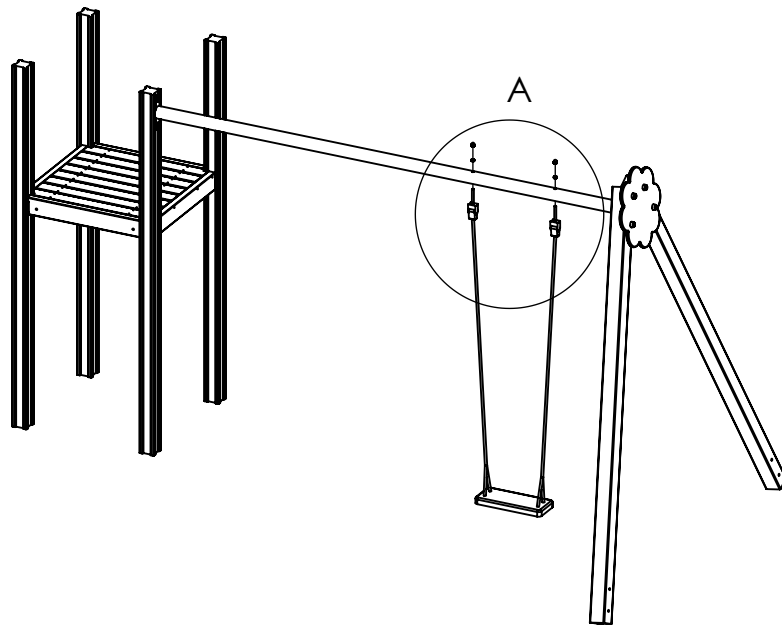
PART NUMBER / DWG NO.:  
**LM211**

DESCRIPTION:  
**Play Centre PAUL**



**Tiptaptap** OÜ  
Tiptaptap OÜ  
Veetorni 9,  
Jüri alevik, Rae vald,  
75301 Harjumaa

MATERIAL:	wood, metal, plastic	A4
WEIGHT:		SCALE: 1:45 SHEET 15 OF 16




DETAIL A  
SCALE 1 : 15

ITEM NO.	PART NUMBER
1	nut DIN985 M12
2	domed cap nut DIN1587 M12

UNLESS OTHERWISE SPECIFIED:  
DIMENSIONS ARE IN MILLIMETERS  
WEIGHT ARE IN KILOGRAMM

	NAME	SIGNATURE	DATE	REVISION
DRAWN	M.Rebase		15.05.2015	
APPV'D				

**Tiptiptap** OÜ  
 Tiptiptap OÜ  
 Veetorni 9,  
 Jüri alevik, Rae vald,  
 75301 Harjumaa

PART NUMBER / DWG NO.:		LM211
DESCRIPTION:		
Play Centre PAUL		
MATERIAL:	wood, metal, plastic	A4
WEIGHT:	SCALE: 1:45	SHEET 16 OF 16