

A
B
C
D
E
F

UNLESS OTHERWISE SPECIFIED: DIMENSIONS ARE IN MILLIMETERS WEIGHT ARE IN KILOGRAMM				
	NAME	SIGNATURE	DATE	REVISION
DRAWN	M.Rebase		02.12.2014	
APPV'D				

PART NUMBER / DWG NO.:	LM210
DESCRIPTION:	Play Centre MONA


Tiptaptap OÜ
 Veetorni 9,
 Jüri alevik, Rae vald,
 75301 Harjumaa

MATERIAL:	wood, metal, plastic	A4
WEIGHT:	SCALE: 1:30	SHEET 1 OF 20

safety area

A

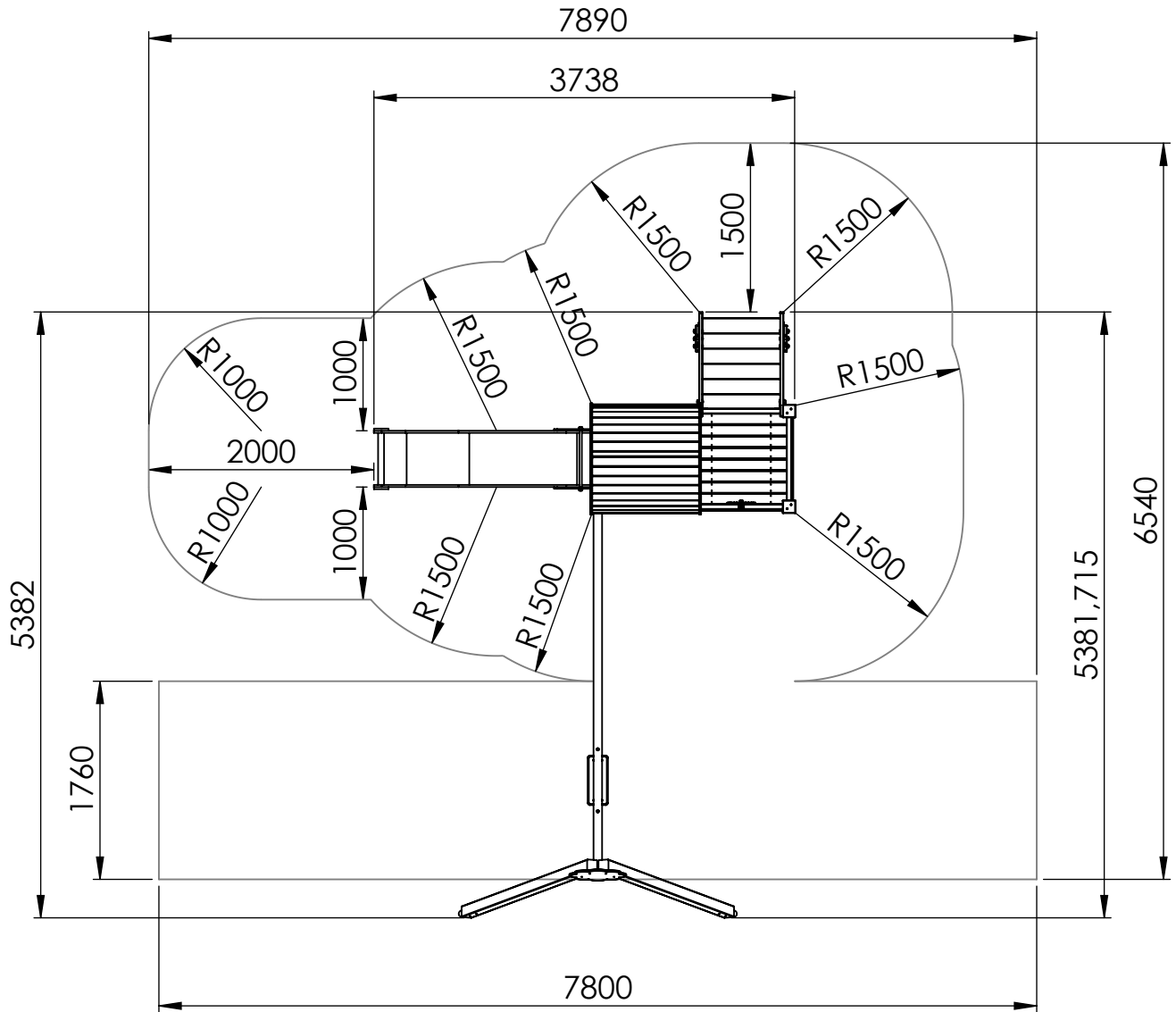
B

C

D

E

F



UNLESS OTHERWISE SPECIFIED:
DIMENSIONS ARE IN MILLIMETERS
WEIGHT ARE IN KILOGRAMM

PART NUMBER / DWG NO.:

LM210

	NAME	SIGNATURE	DATE	REVISION
DRAWN	M.Rebase		02.12.2014	
APPV'D				

DESCRIPTION:

Play Centre MONA



Tiptiptap OÜ

Tiptiptap OÜ
Veetorni 9,
Jüri alevik, Rae vald,
75301 Harjumaa

MATERIAL:

wood, metal, plastic

A4

WEIGHT:

SCALE: 1:60

SHEET 2 OF 20

foundation

A

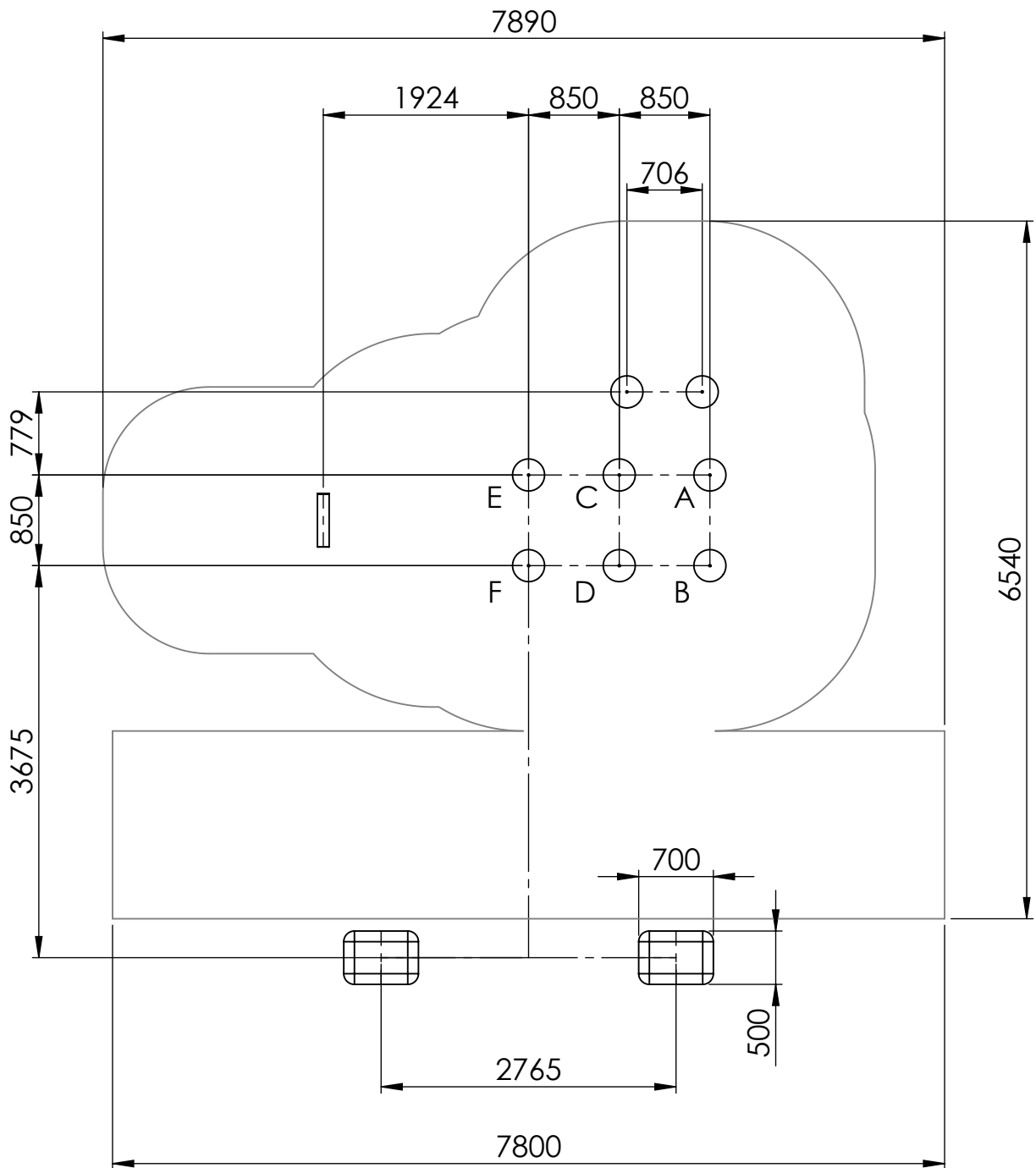
B

C

D

E

F



UNLESS OTHERWISE SPECIFIED:
DIMENSIONS ARE IN MILLIMETERS
WEIGHT ARE IN KILOGRAMM

PART NUMBER / DWG NO.:

LM210

	NAME	SIGNATURE	DATE	REVISION
DRAWN	M.Rebase		02.12.2014	
APPV'D				

DESCRIPTION:

Play Centre MONA



Tiptaptap OÜ

Tiptaptap OÜ
Veetorni 9,
Jüri alevik, Rae vald,
75301 Harjumaa

MATERIAL:

wood, metal, plastic

A4

WEIGHT:

SCALE: 1:60

SHEET 3 OF 20

A

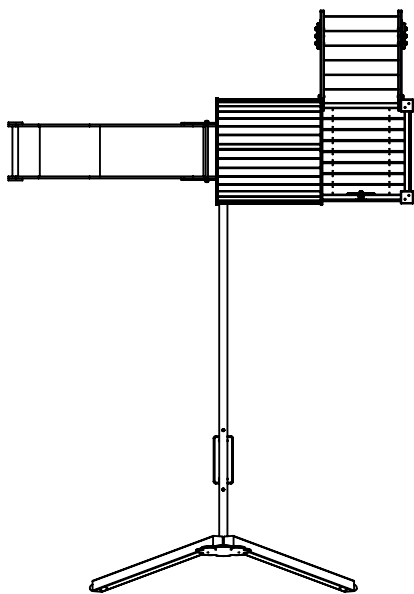
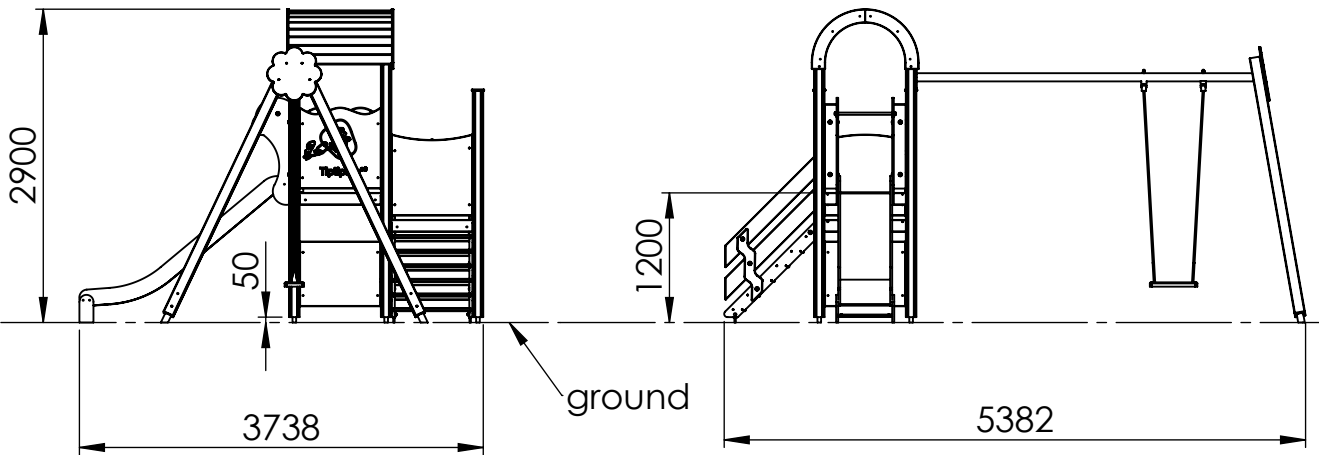
B

C

D

E

F



UNLESS OTHERWISE SPECIFIED:
 DIMENSIONS ARE IN MILLIMETERS
 WEIGHT ARE IN KILOGRAMM

PART NUMBER / DWG NO.:

LM210

	NAME	SIGNATURE	DATE	REVISION
DRAWN	M.Rebase		02.12.2014	
APPV'D				

DESCRIPTION:

Play Centre MONA



Tiptaptap OÜ

Tiptaptap OÜ
 Veetorni 9,
 Jüri alevik, Rae vald,
 75301 Harjumaa

MATERIAL:

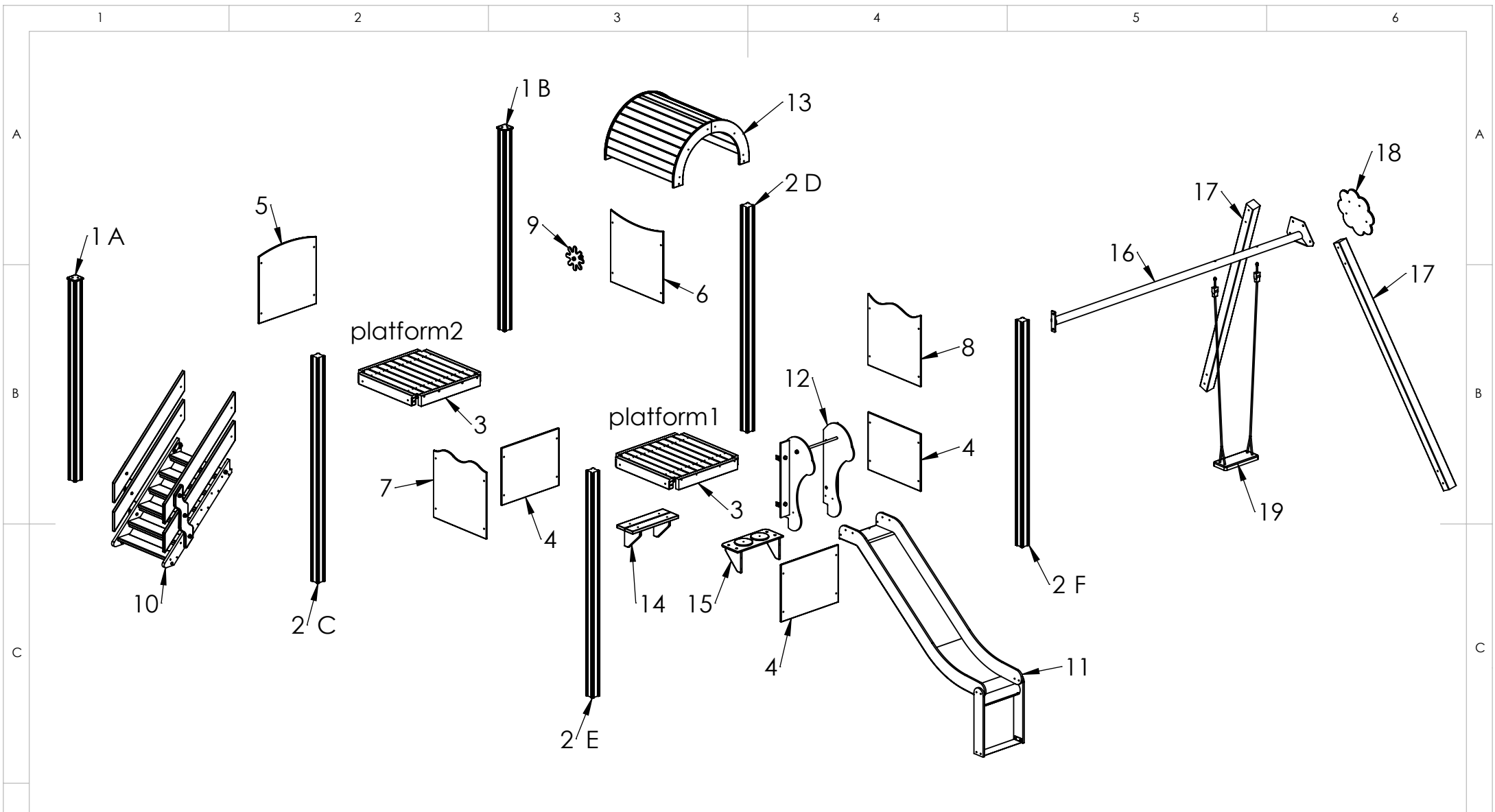
wood, metal, plastic


A4

WEIGHT:

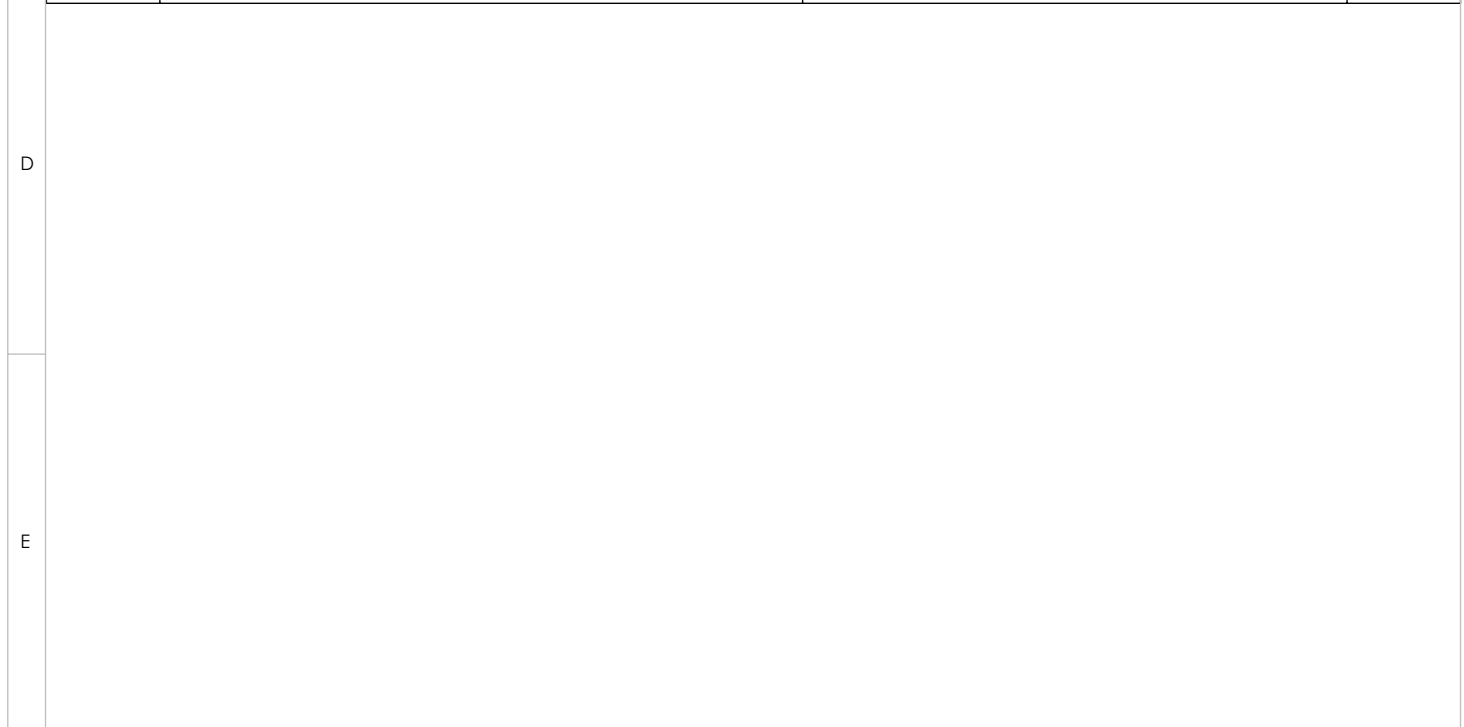
SCALE: 1:70


SHEET 4 OF 20



UNLESS OTHERWISE SPECIFIED: DIMENSIONS ARE IN MILLIMETERS WEIGHT ARE IN KILOGRAMM					PART NUMBER / DWG NO.: LM210	
	NAME	SIGNATURE	DATE	REVISION	DESCRIPTION: Play Centre MONA	
DRAWN	M.Rebase		02.12.2014		MATERIAL: wood, metal, plastic	
APPV'D					weight:	A4
 Tiptaptap OÜ Tiptaptap OÜ Veetorni 9, Jüri alevik, Rae vald, 75301 Harjumaa					SCALE: 1:50	SHEET 5 OF 20

ITEM NO.	PART NUMBER	DESCRIPTION	QTY.
1	post 98x98x2100	laminated wood	2
2	post 98x98x2350	laminated wood	4
3	platform	laminated wood, metal	2
4	panel 750x600	plywood	3
5	panel 750x750	plywood	1
6	panel 750x750	plywood	1
7	panel 750x750	plywood	1
8	panel 750x750 with logo	plywood	1
9	captain wheel with fixings	plastic, metal	1
10	stairs	laminated wood	1
11	slide h_1200	stainless steel, PE plastic	1
12	slide guard block	plywood, metal, plastic	1
13	roof	wood, PE plastic	1
14	playcorner-bench	laminated wood, plastic	1
15	playcorner-kitchen	plywood, plastic	1
16	beam 76x3245	galvanized steel	1
17	post 98x98x2640	laminated wood	2
18	side fixture	plastic	1
19	seat complect with fixings	rubber compound with aluminium insert	1



UNLESS OTHERWISE SPECIFIED: DIMENSIONS ARE IN MILLIMETERS WEIGHT ARE IN KILOGRAMM				PART NUMBER / DWG NO.: LM210	
	NAME	SIGNATURE	DATE	REVISION	
DRAWN	M.Rebase		02.12.2014		
APPV'D					
 Tiptiptap OÜ Tiptiptap OÜ Veetorni 9, Jüri alevik, Rae vald, 75301 Harjumaa				DESCRIPTION: Play Centre MONA	
				MATERIAL: wood, metal, plastic	
WEIGHT:				SCALE: 1:20	
				SHEET 6 OF 20	

A

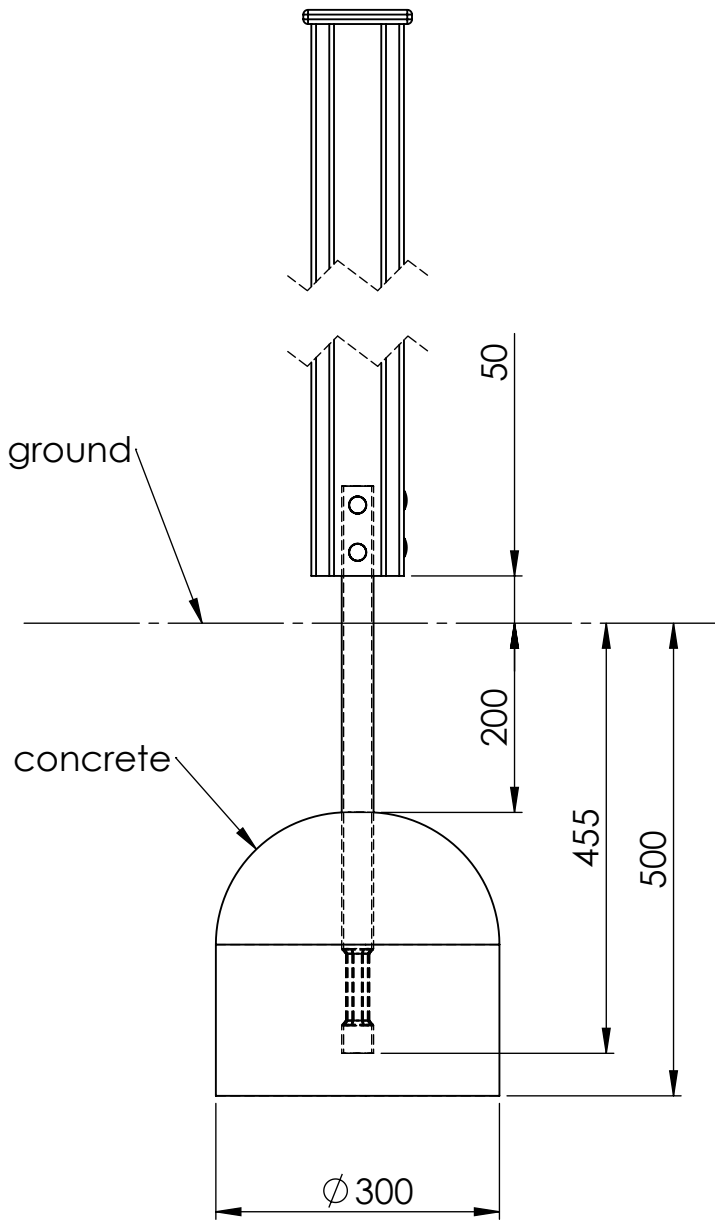
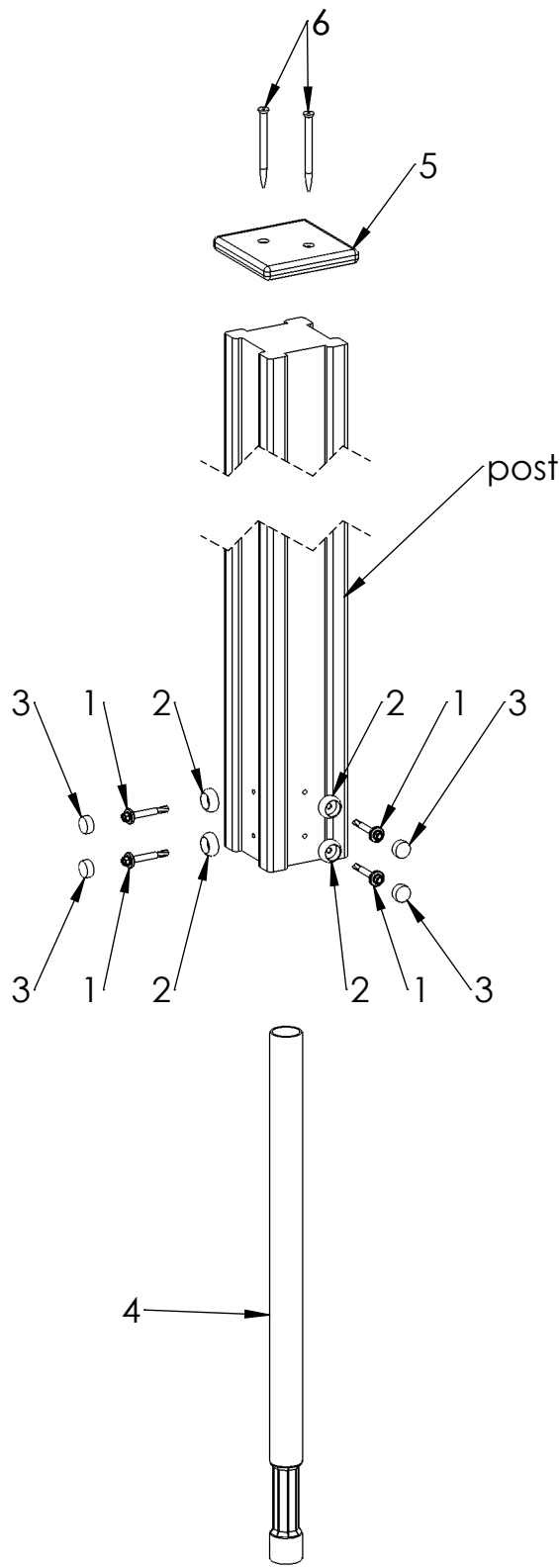
B

C

D

E

F



ITEM NO.	PART NUMBER
1	screw DIN7504K 5,5x50
2	nut cover M6
3	nut cover cap M6
4	metal ground fixing L_600
5	plastic cap 115x115
6	woodscrew 6 x 90

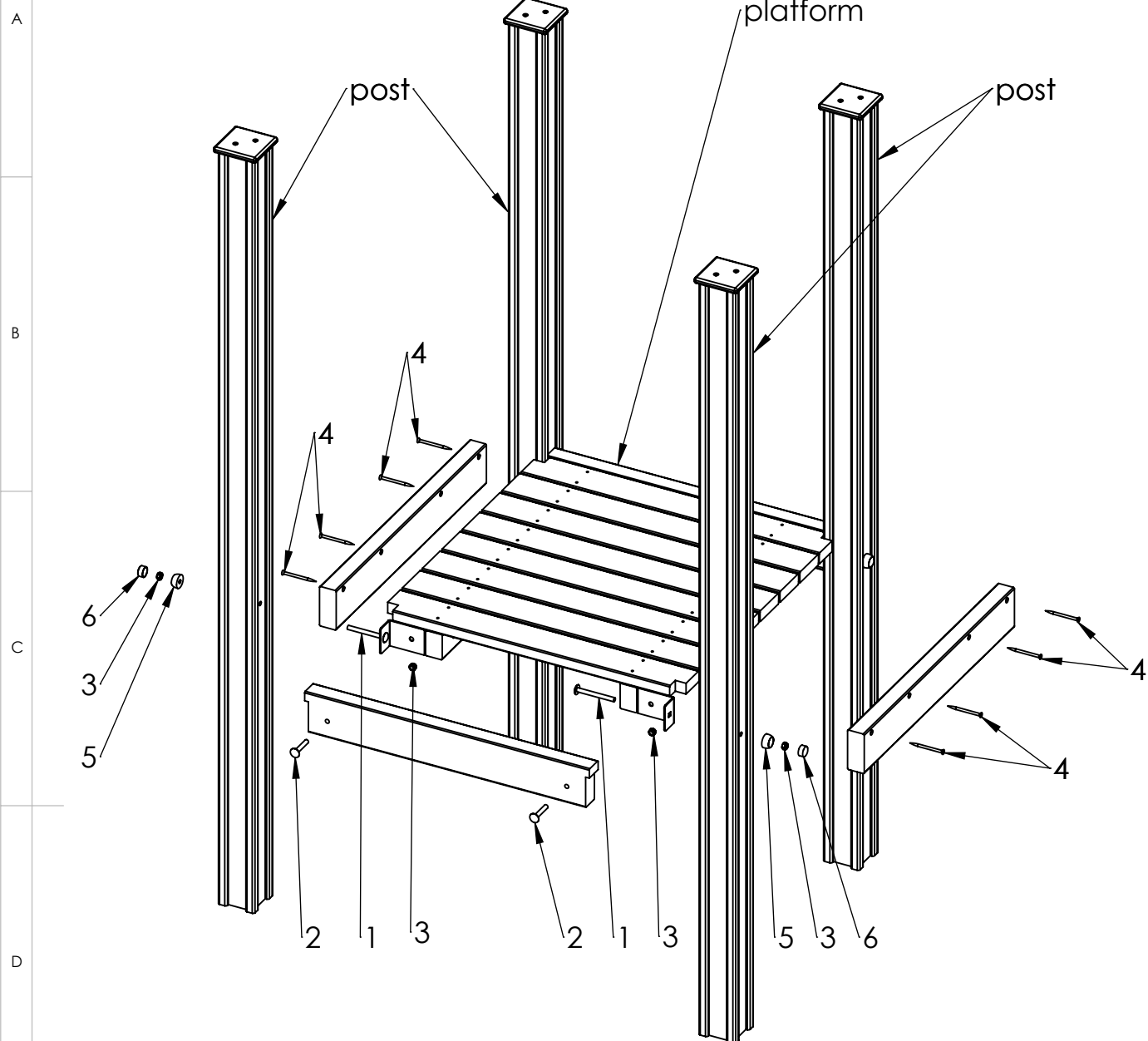
UNLESS OTHERWISE SPECIFIED: DIMENSIONS ARE IN MILLIMETERS WEIGHT ARE IN KILOGRAMM				
	NAME	SIGNATURE	DATE	REVISION
DRAWN	M.Rebase		02.12.2014	
APPV'D				

PART NUMBER / DWG NO.:	LM210
DESCRIPTION:	Play Centre MONA connecting metal ground fixing to post



Tiptaptap OÜ
Veetorni 9,
Jüri alevik, Rae vald,
75301 Harjumaa

MATERIAL:	wood, metal, plastic	A4
WEIGHT:	SCALE: 1:8	SHEET 7 OF 20



E

ITEM NO.	PART NUMBER
1	bolt DIN603 M10x100
2	bolt DIN603 M10x60
3	nut DIN985 M10
4	woodscrew 6 x 90
5	nut cover M10
6	nut cover cap M10

F

UNLESS OTHERWISE SPECIFIED:
DIMENSIONS ARE IN MILLIMETERS
WEIGHT ARE IN KILOGRAMM

	NAME	SIGNATURE	DATE	REVISION
DRAWN	M.Rebase		02.12.2014	
APPV'D				

PART NUMBER / DWG NO.:

LM210

DESCRIPTION:

Play Centre MONA
connecting platform to post

MATERIAL:

wood, metal, plastic

A4

WEIGHT:

SCALE: 1:15

SHEET 8 OF 20



Tiptaptap OÜ

Tiptaptap OÜ
Veetorni 9,
Jüri alevik, Rae vald,
75301 Harjumaa

A

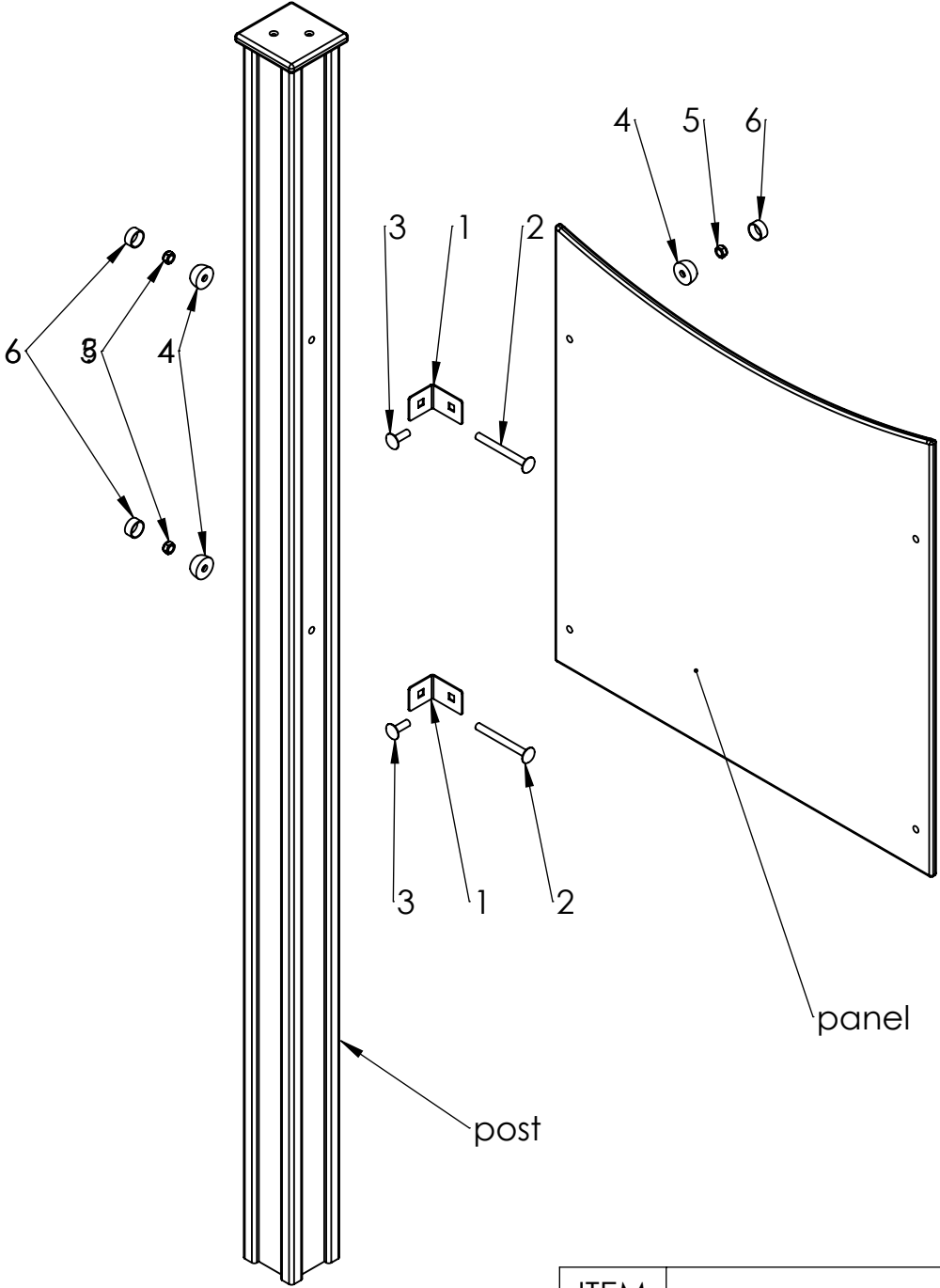
B

C

D

E

F



ITEM NO.	PART NUMBER
1	corner 48x60
2	bolt DIN603 M10x100
3	bolt DIN603 M10x30
4	nut cover M10
5	nut DIN985 M10
6	nut cover cap M10

UNLESS OTHERWISE SPECIFIED:
DIMENSIONS ARE IN MILLIMETERS
WEIGHT ARE IN KILOGRAMM

NAME	SIGNATURE	DATE	REVISION
DRAWN M.Rebase		02.12.2014	
APPV'D			

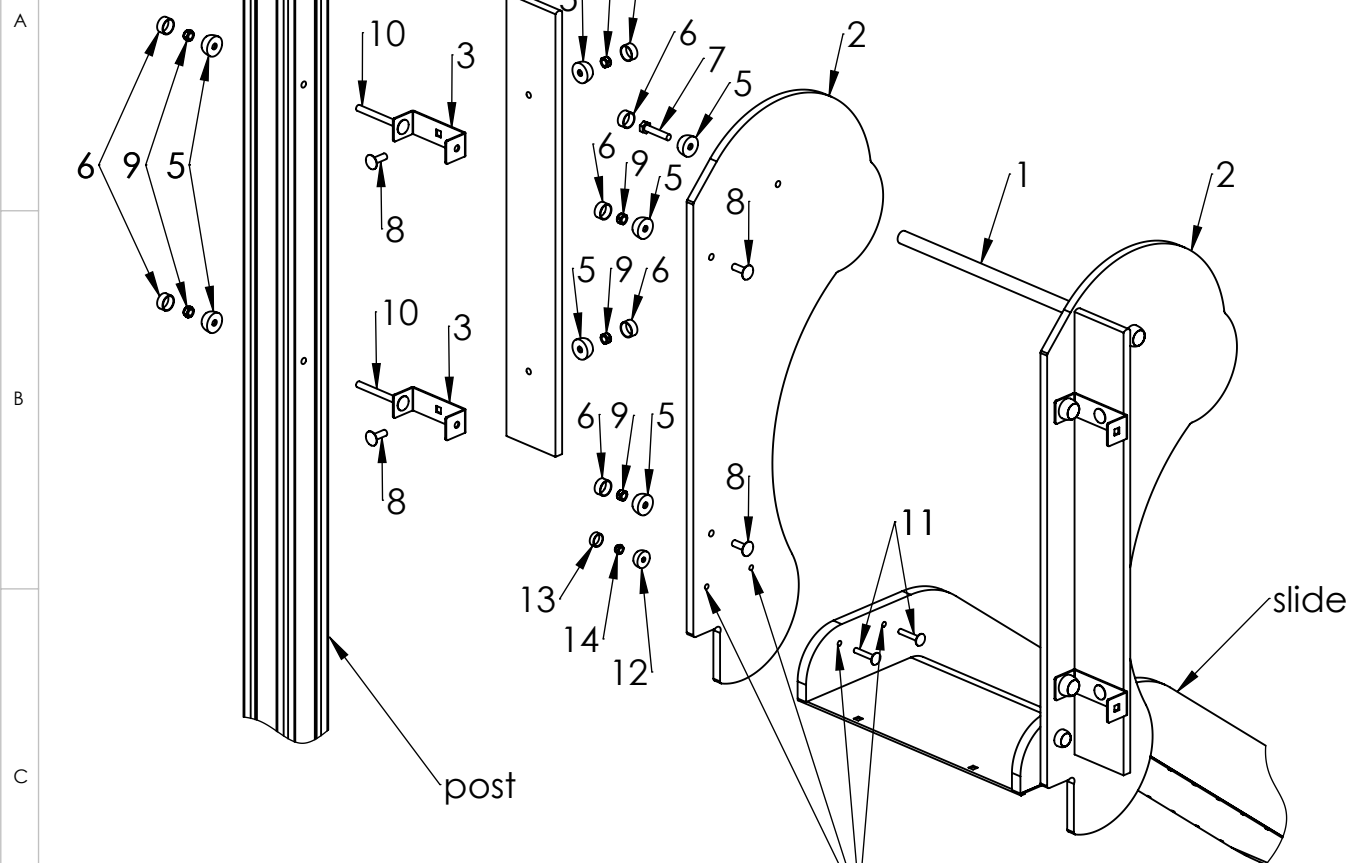
PART NUMBER / DWG NO.:
LM210

DESCRIPTION:
**Play Centre MONA
connecting panel to post**



Tiptiptap OÜ
Tiptiptap OÜ
Veetorni 9,
Jüri alevik, Rae vald,
75301 Harjumaa

MATERIAL: wood, metal, plastic	A4
WEIGHT:	SCALE: 1:10
	SHEET 9 OF 20



It is important to drill 8,5mm holes through side panel and slide.

ITEM NO.	PART NUMBER
1	slide guardrail
2	slide side panel
3	slide side panel fixing 40x120
4	side panel 110x780
5	nut cover M10
6	nut cover cap M10
7	bolt DIN931 M10x50
8	bolt DIN603 M10x30
9	nut DIN985 M10
10	bolt DIN603 M10x100
11	bolt DIN603 M8x45
12	nut cover M8
13	nut cover cap M8
14	nut DIN985 M8

UNLESS OTHERWISE SPECIFIED:
DIMENSIONS ARE IN MILLIMETERS
WEIGHT ARE IN KILOGRAMM

PART NUMBER / DWG NO.:

LM210

	NAME	SIGNATURE	DATE	REVISION
DRAWN	M.Rebase		02.12.2014	
APPV'D				

DESCRIPTION:

Play Centre MONA
connecting slide guard block to post

MATERIAL:

wood, metal, plastic

A4

WEIGHT:

SCALE: 1:12

SHEET 10 OF 20



Tiptaptap OÜ

Tiptaptap OÜ
Veetorni 9,
Jüri alevik, Rae vald,
75301 Harjumaa

A

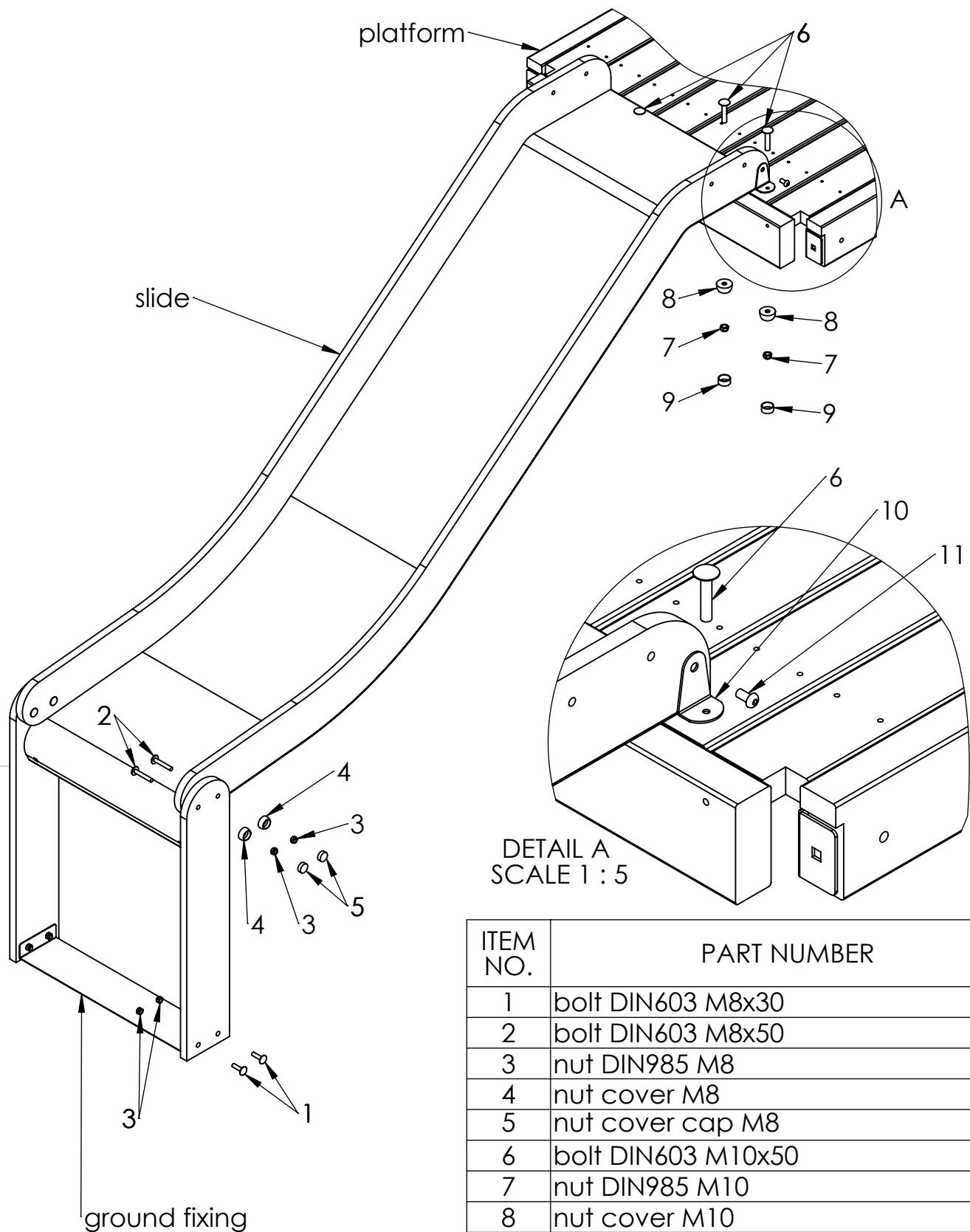
B

C

D

E

F



ITEM NO.	PART NUMBER
1	bolt DIN603 M8x30
2	bolt DIN603 M8x50
3	nut DIN985 M8
4	nut cover M8
5	nut cover cap M8
6	bolt DIN603 M10x50
7	nut DIN985 M10
8	nut cover M10
9	nut cover cap M10
10	corner 58x30
11	metal screw DIN 7380 M8x16

UNLESS OTHERWISE SPECIFIED:
DIMENSIONS ARE IN MILLIMETERS
WEIGHT ARE IN KILOGRAMM

	NAME	SIGNATURE	DATE	REVISION
DRAWN	M.Rebase		02.12.2014	
APPV'D				

PART NUMBER / DWG NO.:

LM210

DESCRIPTION:

Play Centre MONA
connecting slide to platform

MATERIAL:

wood, metal, plastic

A4

WEIGHT:

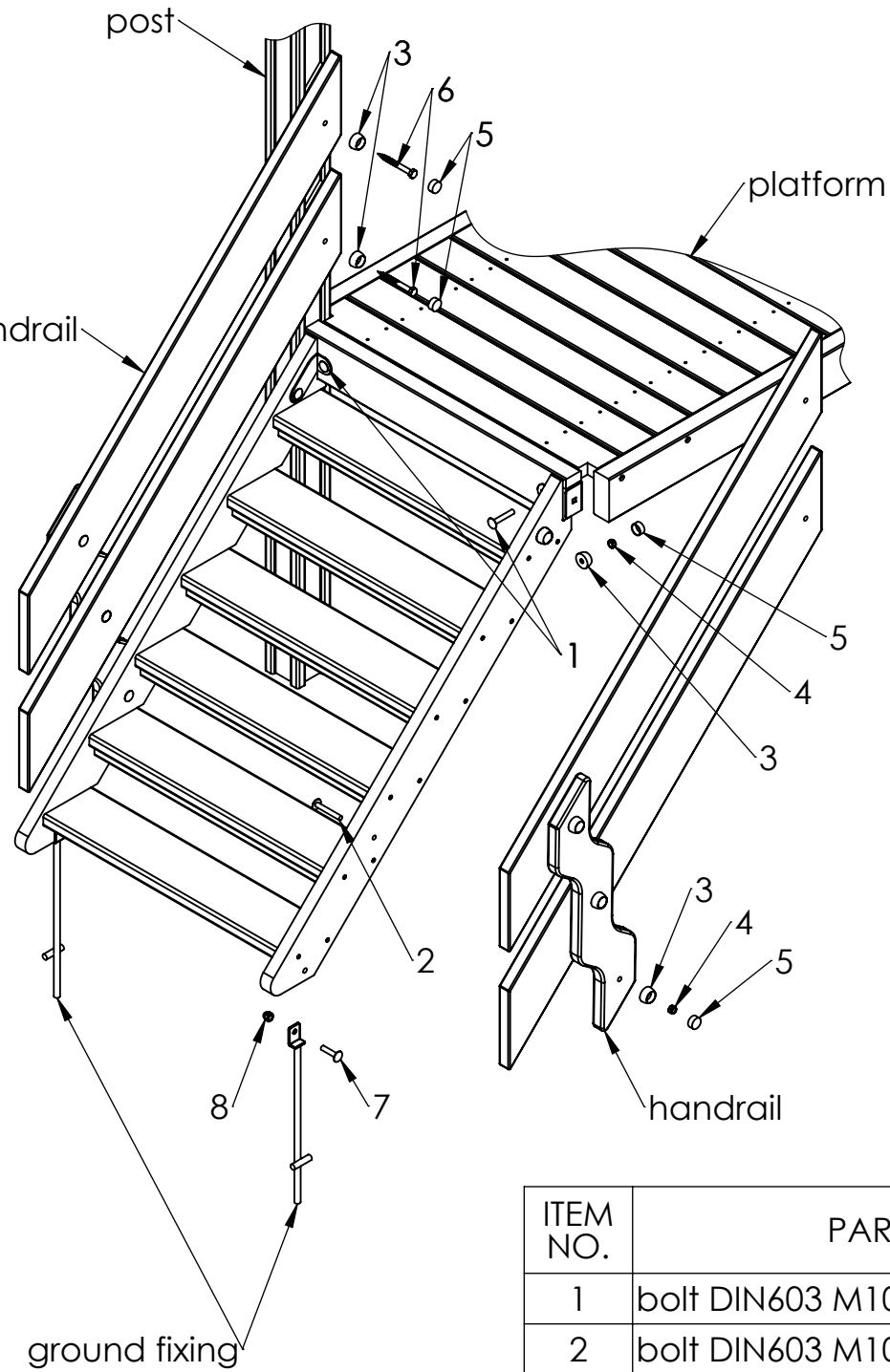
SCALE: 1:12

SHEET 11 OF 20



Tiptap OÜ

Tiptap OÜ
Veetorni 9,
Jüri alevik, Rae vald,
75301 Harjumaa



ITEM NO.	PART NUMBER
1	bolt DIN603 M10x60
2	bolt DIN603 M10x70
3	nut cover M10
4	nut DIN985 M10
5	nut cover cap M10
6	wood screw DIN571 10x100
7	bolt DIN603 M10x45
8	domed cap nut DIN1587 M10

UNLESS OTHERWISE SPECIFIED:
DIMENSIONS ARE IN MILLIMETERS
WEIGHT ARE IN KILOGRAMM

PART NUMBER / DWG NO.:

LM210

	NAME	SIGNATURE	DATE	REVISION
DRAWN	M.Rebase		02.12.2014	
APPV'D				

DESCRIPTION:

Play Centre MONA
connecting stairs to platform

MATERIAL:

wood, metal, plastic

A4

WEIGHT:

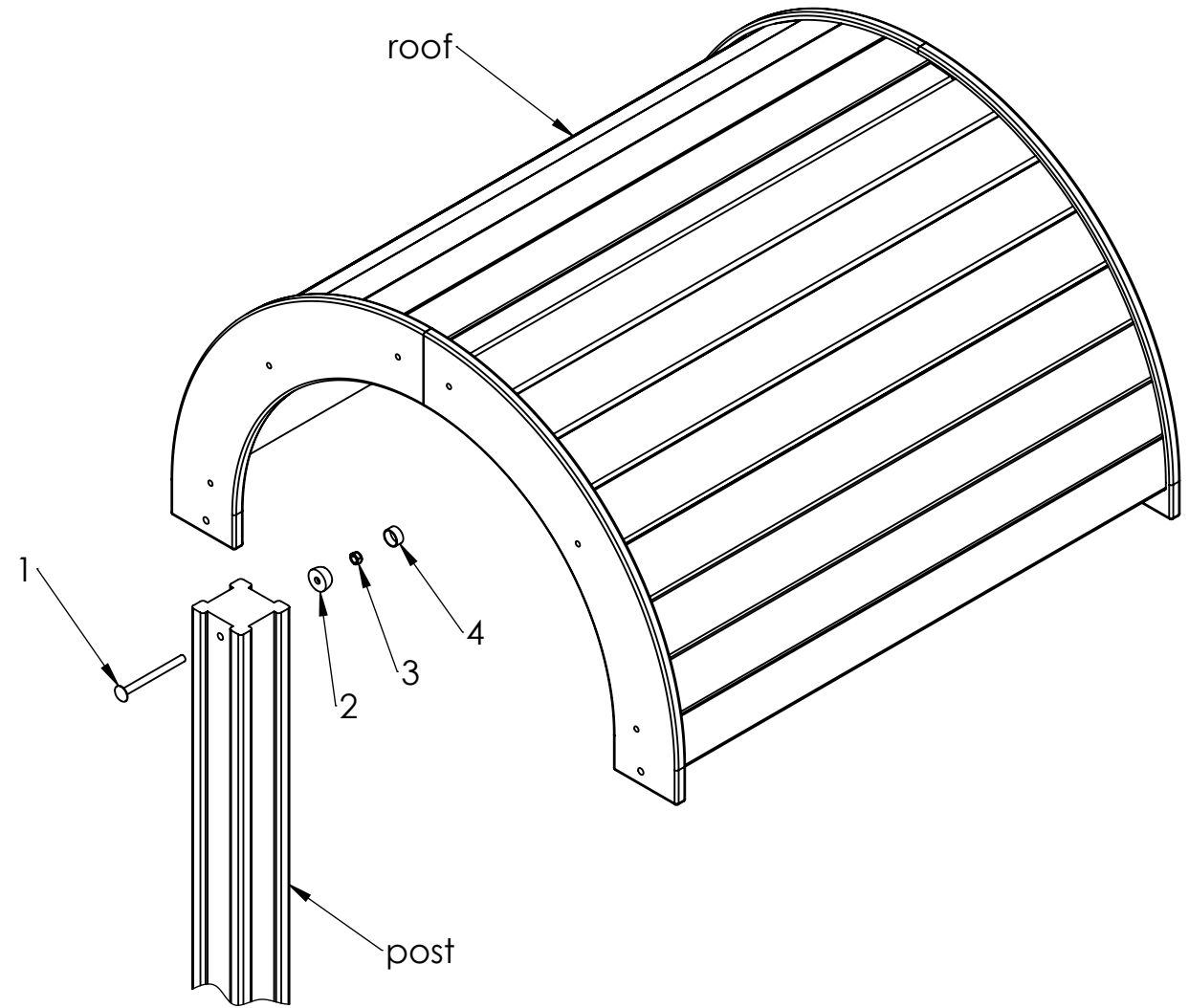
SCALE: 1:15

SHEET 12 OF 20



Tiptap OÜ

Tiptap OÜ
Veetorni 9,
Jüri alevik, Rae vald,
75301 Harjumaa



ITEM NO.	PART NUMBER
1	bolt DIN603 M10x120
2	nut cover M10
3	nut DIN985 M10
4	nut cover cap M10

UNLESS OTHERWISE SPECIFIED:
DIMENSIONS ARE IN MILLIMETERS
WEIGHT ARE IN KILOGRAMM

PART NUMBER / DWG NO.:

LM210

	NAME	SIGNATURE	DATE	REVISION
DRAWN	M.Rebase		02.12.2014	
APPV'D				

DESCRIPTION:

Play Centre MONA
connecting roof to post



Tiptaptap OÜ

Tiptaptap OÜ
Veetorni 9,
Jüri alevik, Rae vald,
75301 Harjumaa

MATERIAL:

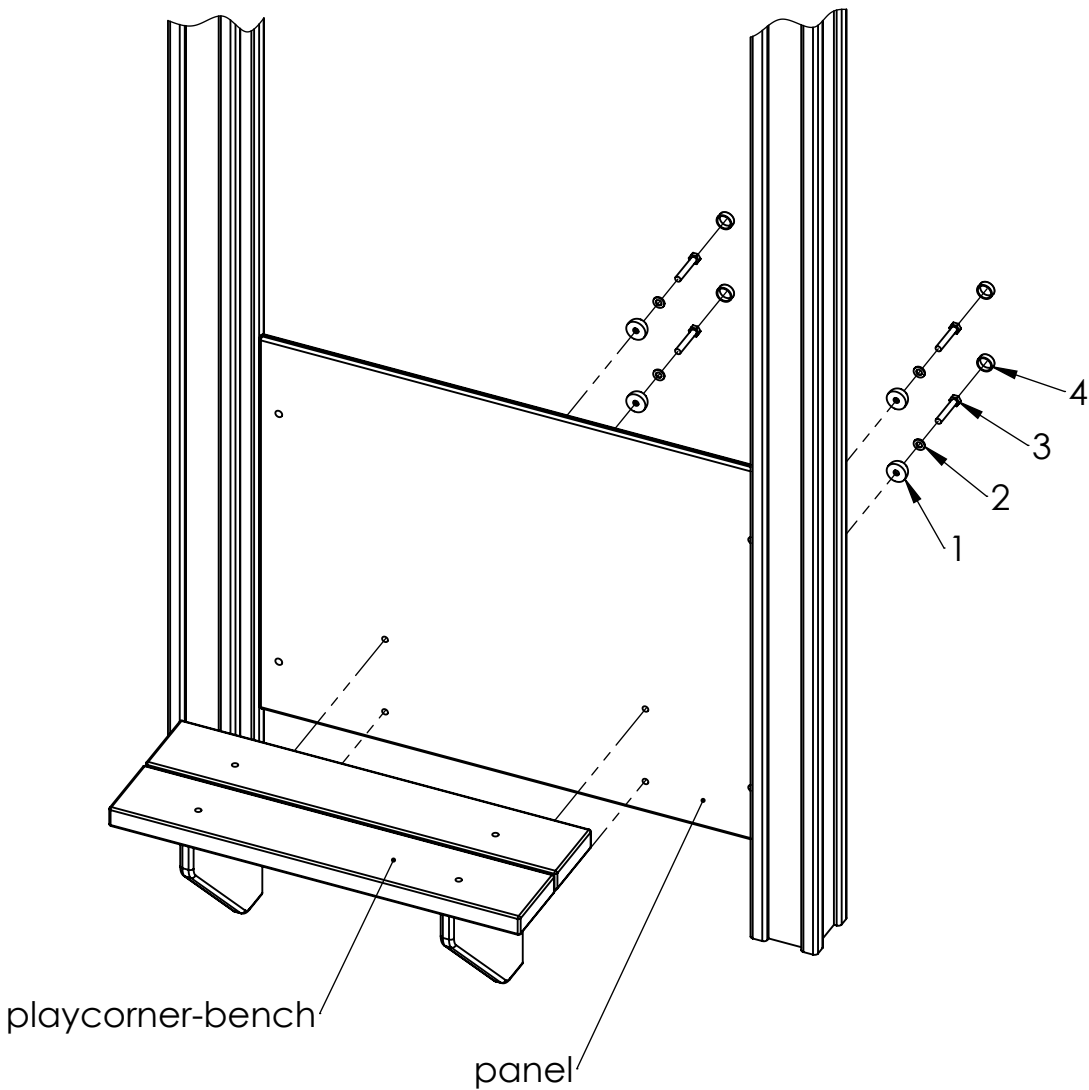
wood, metal, plastic

A4

WEIGHT:

SCALE: 1:10

SHEET 13 OF 20

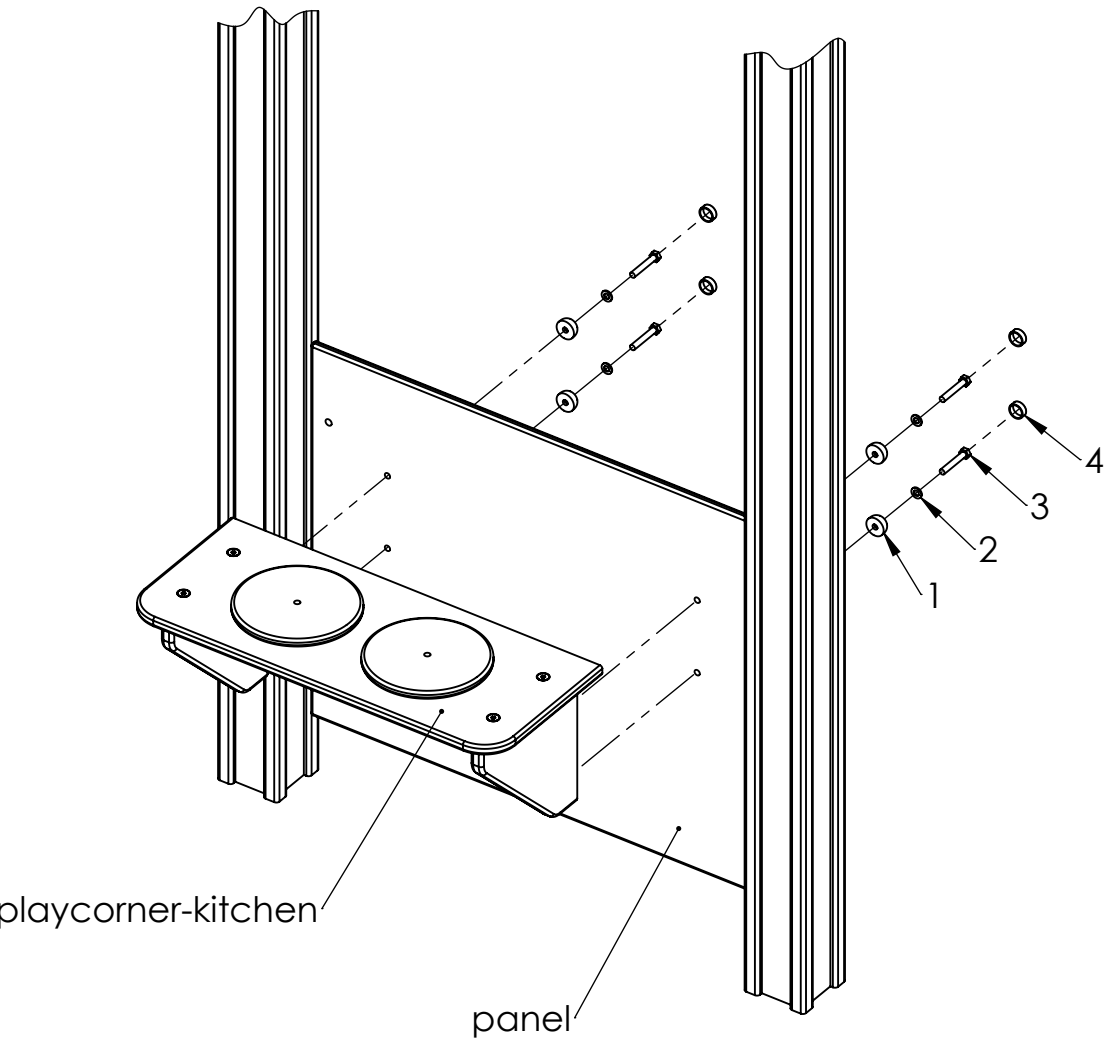


ITEM NO.	PART NUMBER
1	nut cover M8
2	washer M8
3	bolt DIN933 M8x50
4	nut cover cap M8

UNLESS OTHERWISE SPECIFIED: DIMENSIONS ARE IN MILLIMETERS WEIGHT ARE IN KILOGRAMM				
	NAME	SIGNATURE	DATE	REVISION
DRAWN	M.Rebase		02.12.2014	
APPV'D				

PART NUMBER / DWG NO.:		LM210	
DESCRIPTION:			
Play Centre MONA connecting playcorner-bench to panel			
MATERIAL:		wood, metal, plastic	A4
WEIGHT:		SCALE: 1:10	SHEET 14 OF 20


Tiptiptap OÜ
 Veetorni 9,
 Jüri alevik, Rae vald,
 75301 Harjumaa



ITEM NO.	PART NUMBER
1	nut cover M8
2	washer M8
3	bolt DIN933 M8x50
4	nut cover cap M8

UNLESS OTHERWISE SPECIFIED: DIMENSIONS ARE IN MILLIMETERS WEIGHT ARE IN KILOGRAMM				
	NAME	SIGNATURE	DATE	REVISION
DRAWN	M.Rebase		02.12.2014	
APPV'D				

PART NUMBER / DWG NO.:		LM210	
DESCRIPTION:			
Play Centre MONA connecting playcorner-kitchen to panel			
MATERIAL:		wood, metal, plastic	A4
WEIGHT:		SCALE: 1:10	SHEET 15 OF 20


Tiptaptap OÜ
 Veetorni 9,
 Jüri alevik, Rae vald,
 75301 Harjumaa

A

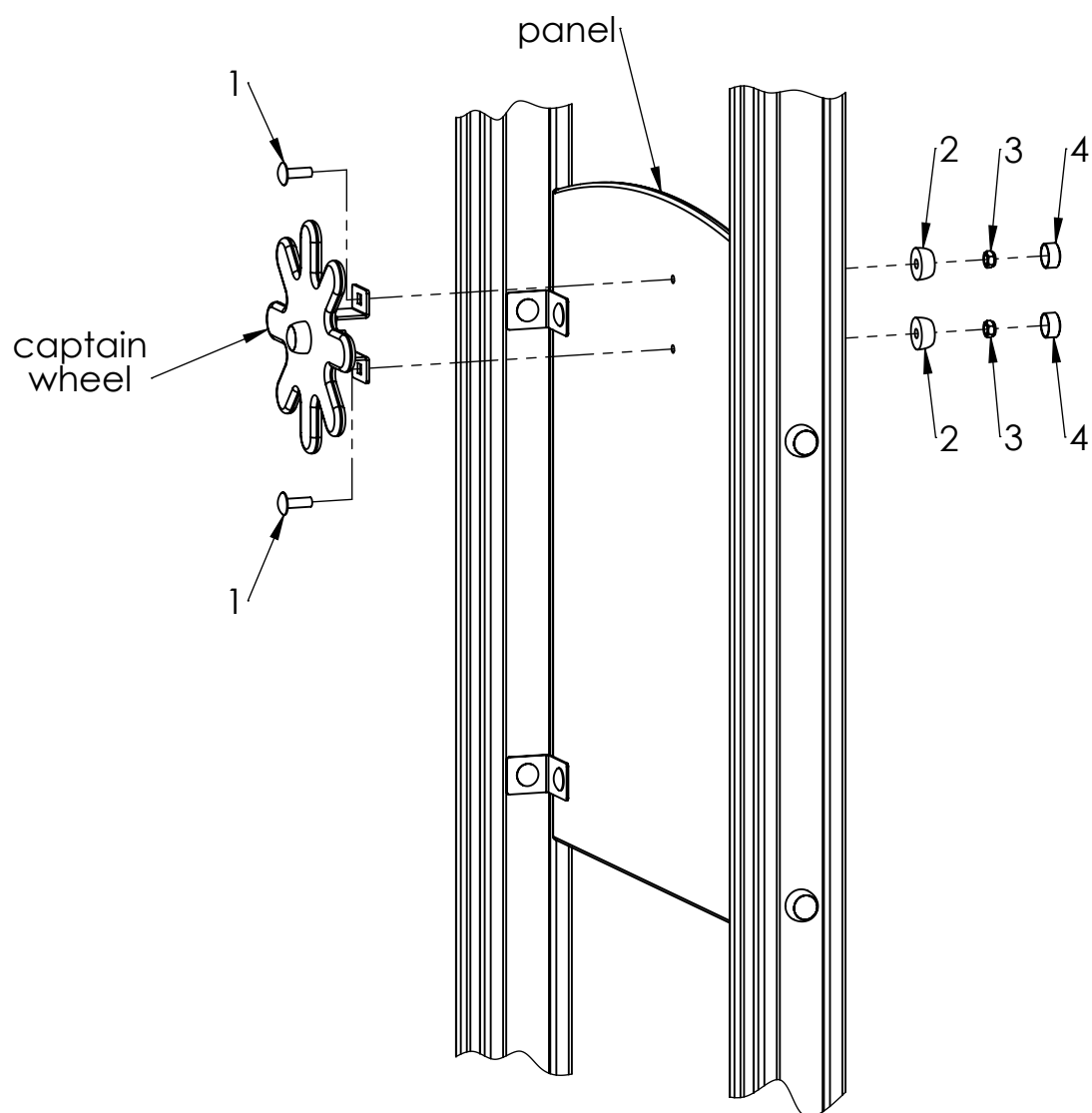
B

C

D

E

F



ITEM NO.	PART NUMBER
1	bolt DIN603 M10x30
2	nut cover M10
3	nut DIN985 M10
4	nut cover cap M10

UNLESS OTHERWISE SPECIFIED:
DIMENSIONS ARE IN MILLIMETERS
WEIGHT ARE IN KILOGRAMM

PART NUMBER / DWG NO.:

LM210

	NAME	SIGNATURE	DATE	REVISION
DRAWN	M.Rebase		02.12.2014	
APPV'D				

DESCRIPTION:

Play Centre MONA
connecting captain wheel to panel

MATERIAL:

wood, metal, plastic

A4

WEIGHT:

SCALE: 1:8

SHEET 16 OF 20



Tiptaptap OÜ

Tiptaptap OÜ
Veetorni 9,
Jüri alevik, Rae vald,
75301 Harjumaa

A

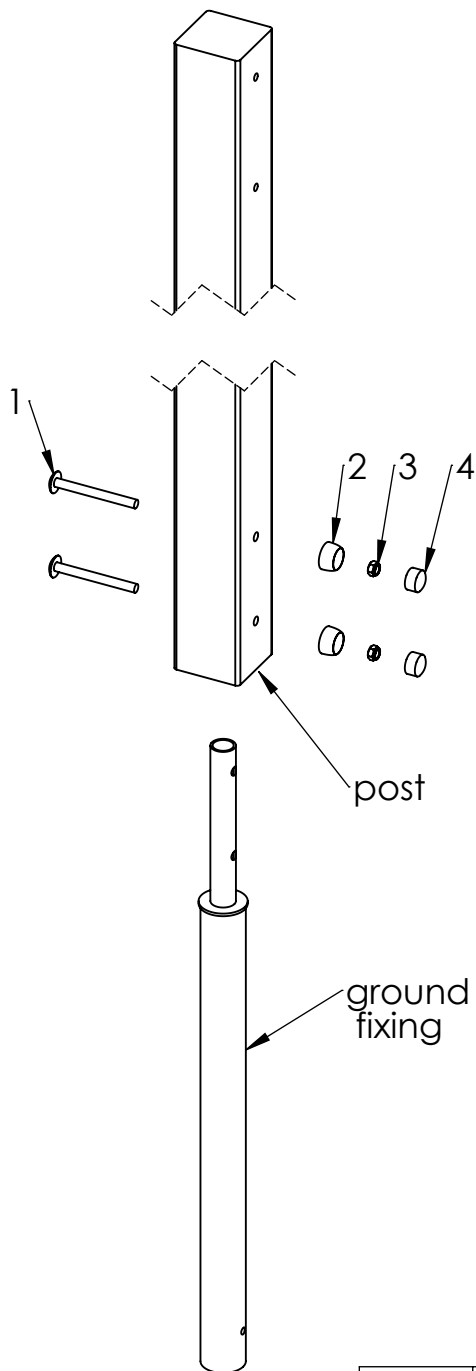
B

C

D

E

F



ITEM NO.	PART NUMBER
1	bolt DIN603 M12x120
2	nut cover M12
3	nut DIN985 M12
4	nut cover cap M12

UNLESS OTHERWISE SPECIFIED:
DIMENSIONS ARE IN MILLIMETERS
WEIGHT ARE IN KILOGRAMM

PART NUMBER / DWG NO.:

LM210

	NAME	SIGNATURE	DATE	REVISION
DRAWN	M.Rebase		02.12.2014	
APPV'D				

DESCRIPTION:

Play Centre MONA



Tiptaptap OÜ

Tiptaptap OÜ
Veetorni 9,
Jüri alevik, Rae vald,
75301 Harjumaa

MATERIAL:

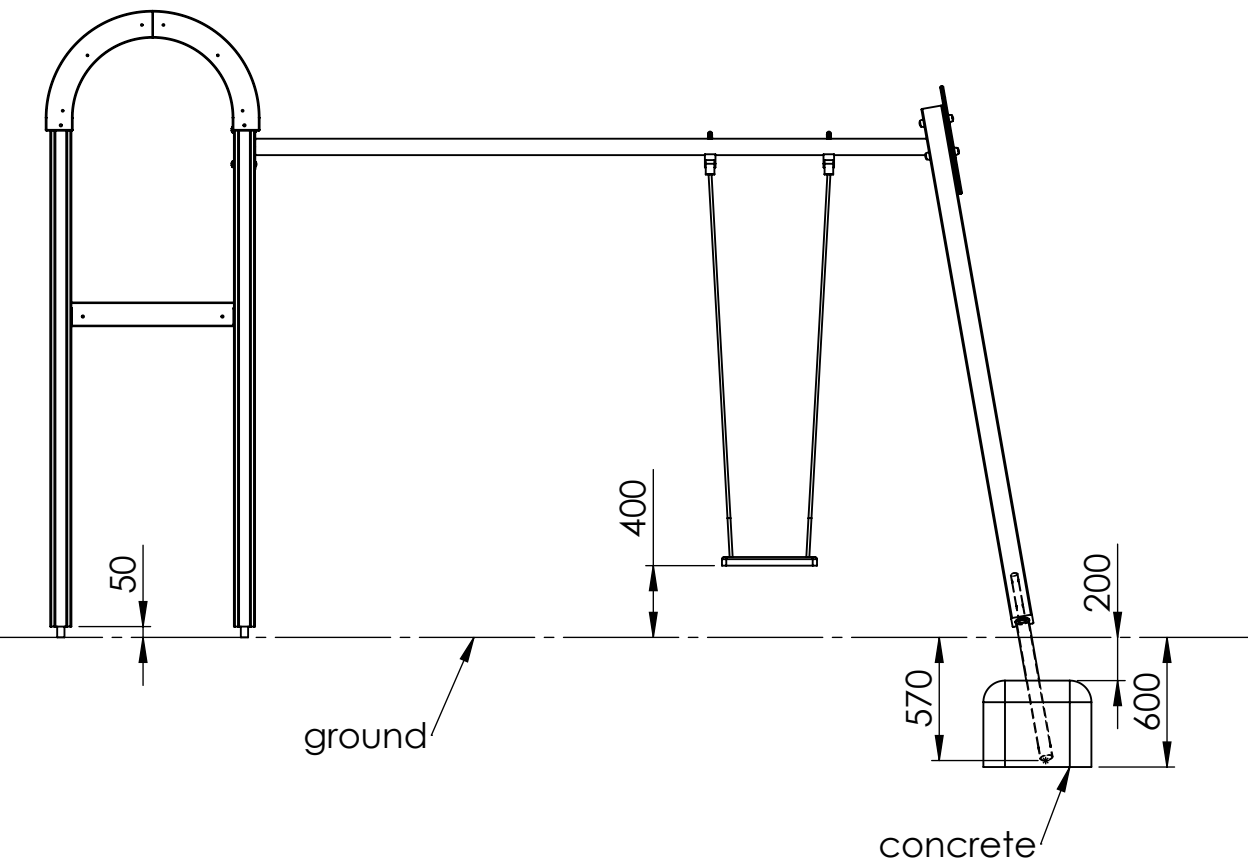
wood, metal, plastic

A4

WEIGHT:

SCALE: 1:10

SHEET 17 OF 20



UNLESS OTHERWISE SPECIFIED:
DIMENSIONS ARE IN MILLIMETERS
WEIGHT ARE IN KILOGRAMM

PART NUMBER / DWG NO.:

LM210

	NAME	SIGNATURE	DATE	REVISION
DRAWN	M.Rebase		02.12.2014	
APPV'D				

DESCRIPTION:

Play Centre MONA



Tiptaptap OÜ

Tiptaptap OÜ
Veetorni 9,
Jüri alevik, Rae vald,
75301 Harjumaa

MATERIAL:

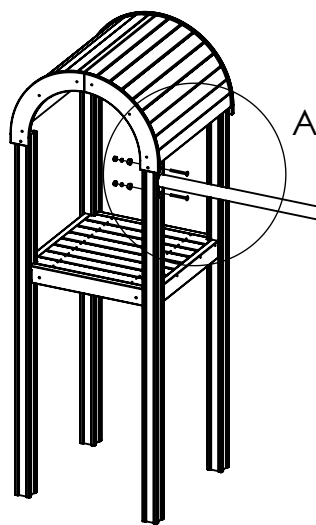
wood, metal, plastic

A4

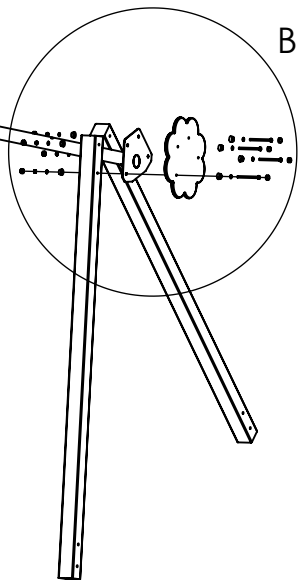
WEIGHT:

SCALE: 1:35

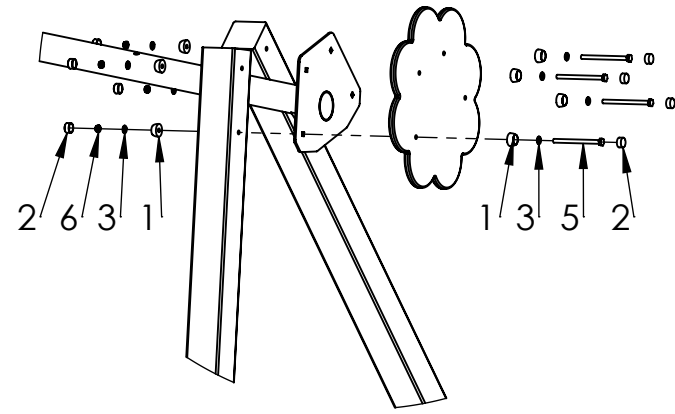
SHEET 18 OF 20



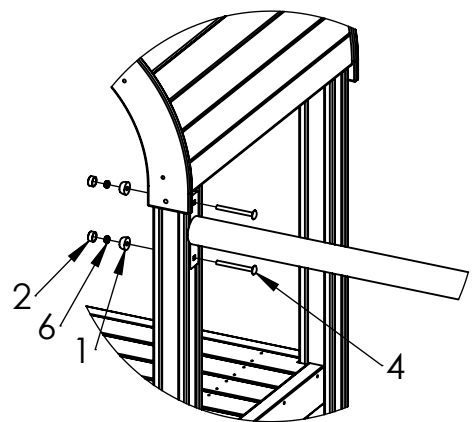
A



B



DETAIL B
SCALE 1 : 20



DETAIL A
SCALE 1 : 20

ITEM NO.	PART NUMBER
1	nut cover M10
2	nut cover cap M10
3	washer M10
4	bolt DIN603 M10x110
5	bolt DIN931 M10x140
6	nut DIN985 M10

UNLESS OTHERWISE SPECIFIED:
DIMENSIONS ARE IN MILLIMETERS
WEIGHT ARE IN KILOGRAMM

	NAME	SIGNATURE	DATE	REVISION
DRAWN	M.Rebase		02.12.2014	
APPV'D				

PART NUMBER / DWG NO.:
LM210

DESCRIPTION:
Play Centre MONA



Tiptaptap OÜ
Tiptaptap OÜ
Veetorni 9,
Jüri alevik, Rae vald,
75301 Harjumaa

MATERIAL: wood, metal, plastic

A4

WEIGHT: SCALE: 1:45 SHEET 19 OF 20

1 2 3 4 5 6

A

A

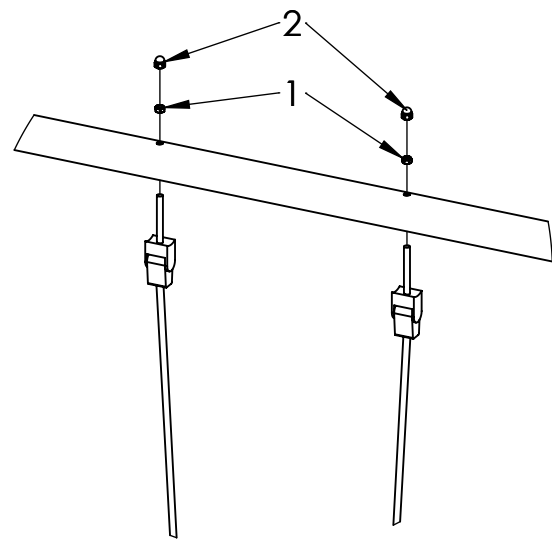
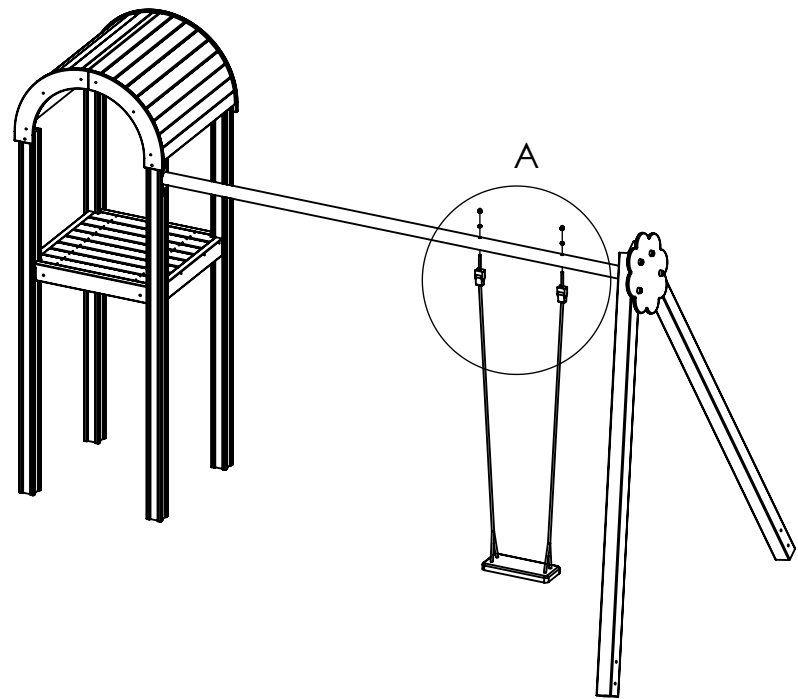
B

B

C

C

D



DETAIL A
SCALE 1 : 15

ITEM NO.	PART NUMBER
1	nut DIN985 M12
2	domed cap nut DIN1587 M12

UNLESS OTHERWISE SPECIFIED:
DIMENSIONS ARE IN MILLIMETERS
WEIGHT ARE IN KILOGRAMM

PART NUMBER / DWG NO.:
LM210

	NAME	SIGNATURE	DATE	REVISION
DRAWN	M.Rebase		02.12.2014	
APPV'D				

DESCRIPTION:
Play Centre MONA



Tiptaptap OÜ
Veetorni 9,
Jüri alevik, Rae vald,
75301 Harjumaa

MATERIAL: wood, metal, plastic

A4

WEIGHT: SCALE: 1:45 SHEET 20 OF 20

1 2