

A

B

C

D

E

F



UNLESS OTHERWISE SPECIFIED:
DIMENSIONS ARE IN MILLIMETERS
WEIGHT ARE IN KILOGRAMM

	NAME	SIGNATURE	DATE	REVISION
DRAWN	M.Rebase		27.05.2015	
APPV'D				

PART NUMBER / DWG NO.:

LM208

DESCRIPTION:

Play Centre ALEXANDER

MATERIAL:

wood, metal, plastic

A4

WEIGHT:

SCALE: 1:40

SHEET 1 OF 17



Tiptaptap OÜ

Tiptaptap OÜ
Veetorni 9,
Jüri alevik, Rae vald,
75301 Harjumaa

A

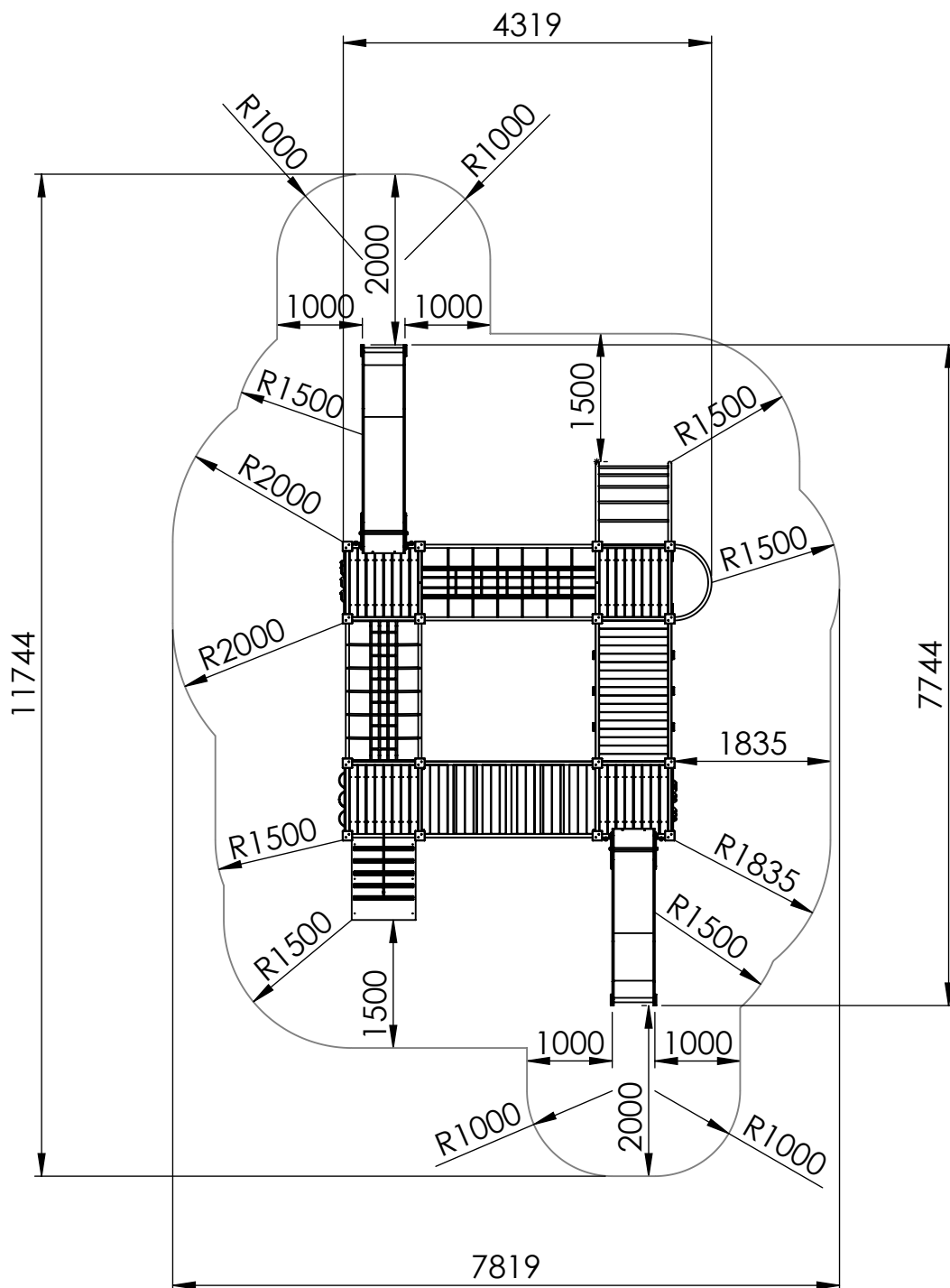
B

C

D

E

F



UNLESS OTHERWISE SPECIFIED:
DIMENSIONS ARE IN MILLIMETERS
WEIGHT ARE IN KILOGRAMM

PART NUMBER / DWG NO.:

LM208

	NAME	SIGNATURE	DATE	REVISION
DRAWN	M.Rebase		27.05.2015	
APPV'D				

DESCRIPTION:

Play Centre ALEXANDER



Tiptaptap OÜ

Tiptaptap OÜ
Veetorni 9,
Jüri alevik, Rae vald,
75301 Harjumaa

MATERIAL:

wood, metal, plastic

A4

WEIGHT:

SCALE: 1:80

SHEET 2 OF 17

A

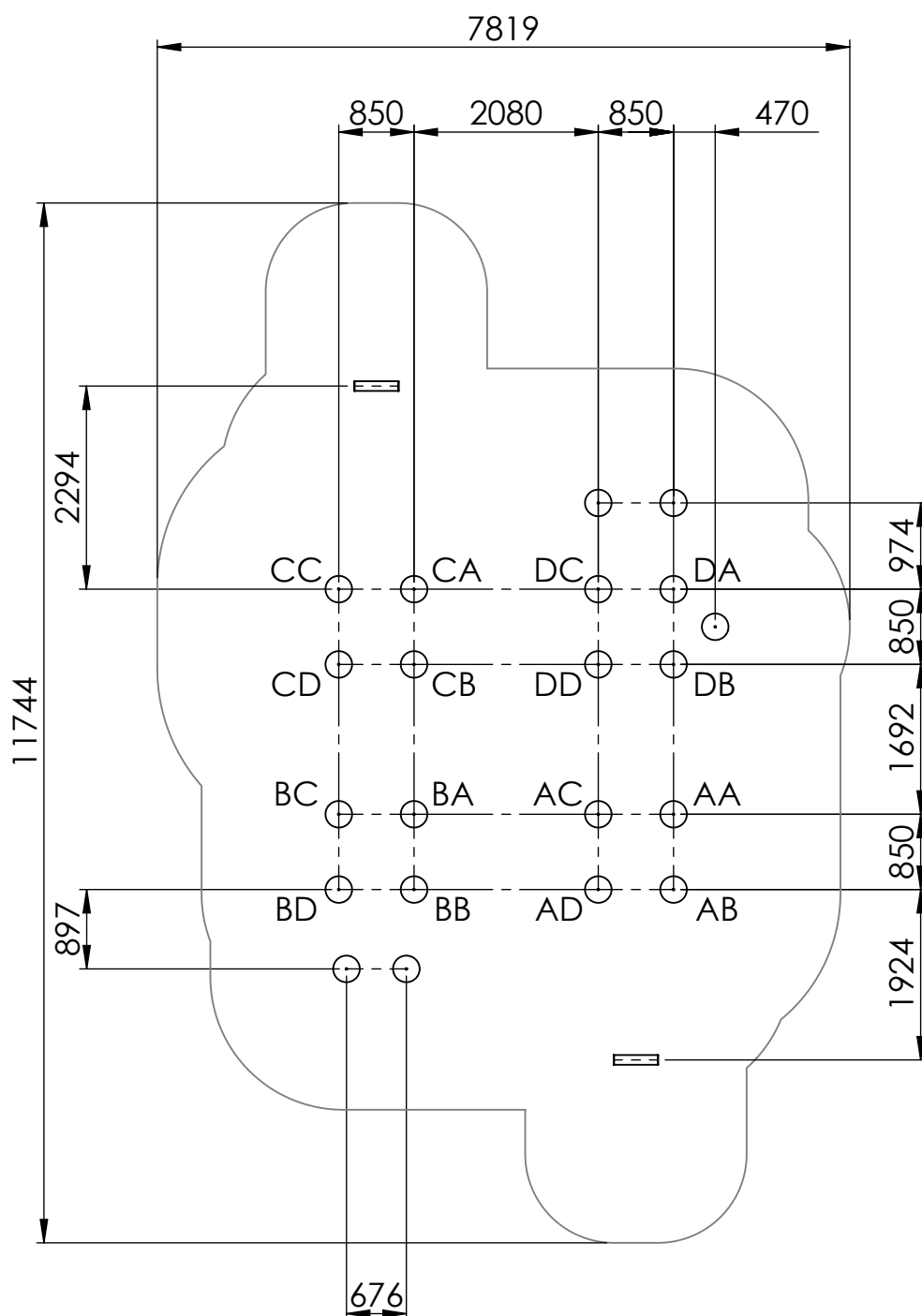
B

C

D

E

F



UNLESS OTHERWISE SPECIFIED:
DIMENSIONS ARE IN MILLIMETERS
WEIGHT ARE IN KILOGRAMM

PART NUMBER / DWG NO.:

LM208

	NAME	SIGNATURE	DATE	REVISION
DRAWN	M.Rebase		27.05.2015	
APPV'D				

DESCRIPTION:

Play Centre ALEXANDER



Tiptaptap OÜ

Tiptaptap OÜ
Veetorni 9,
Jüri alevik, Rae vald,
75301 Harjumaa

MATERIAL:

wood, metal, plastic

A4

WEIGHT:

SCALE: 1:80

SHEET 3 OF 17

A

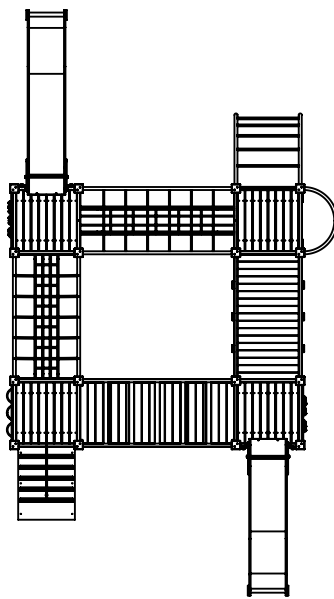
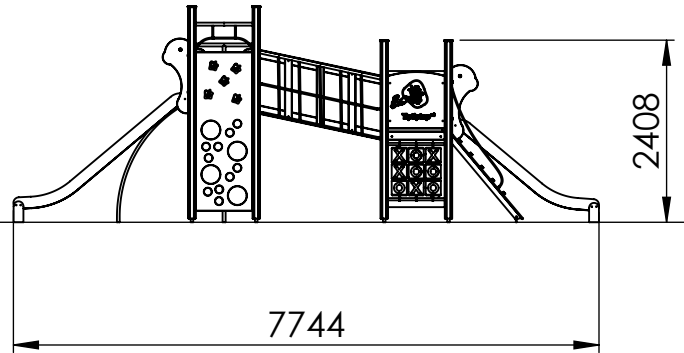
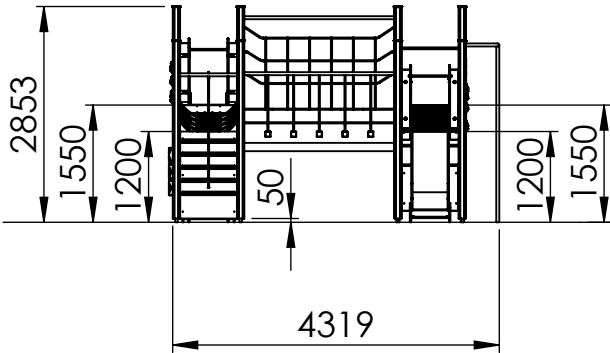
B

C

D

E

F



UNLESS OTHERWISE SPECIFIED:
DIMENSIONS ARE IN MILLIMETERS
WEIGHT ARE IN KILOGRAMM

PART NUMBER / DWG NO.:

LM208

	NAME	SIGNATURE	DATE	REVISION
DRAWN	M.Rebase		27.05.2015	
APPV'D				

DESCRIPTION:

Play Centre ALEXANDER



Tiptaptap OÜ

Tiptaptap OÜ
Veetorni 9,
Jüri alevik, Rae vald,
75301 Harjumaa

MATERIAL:

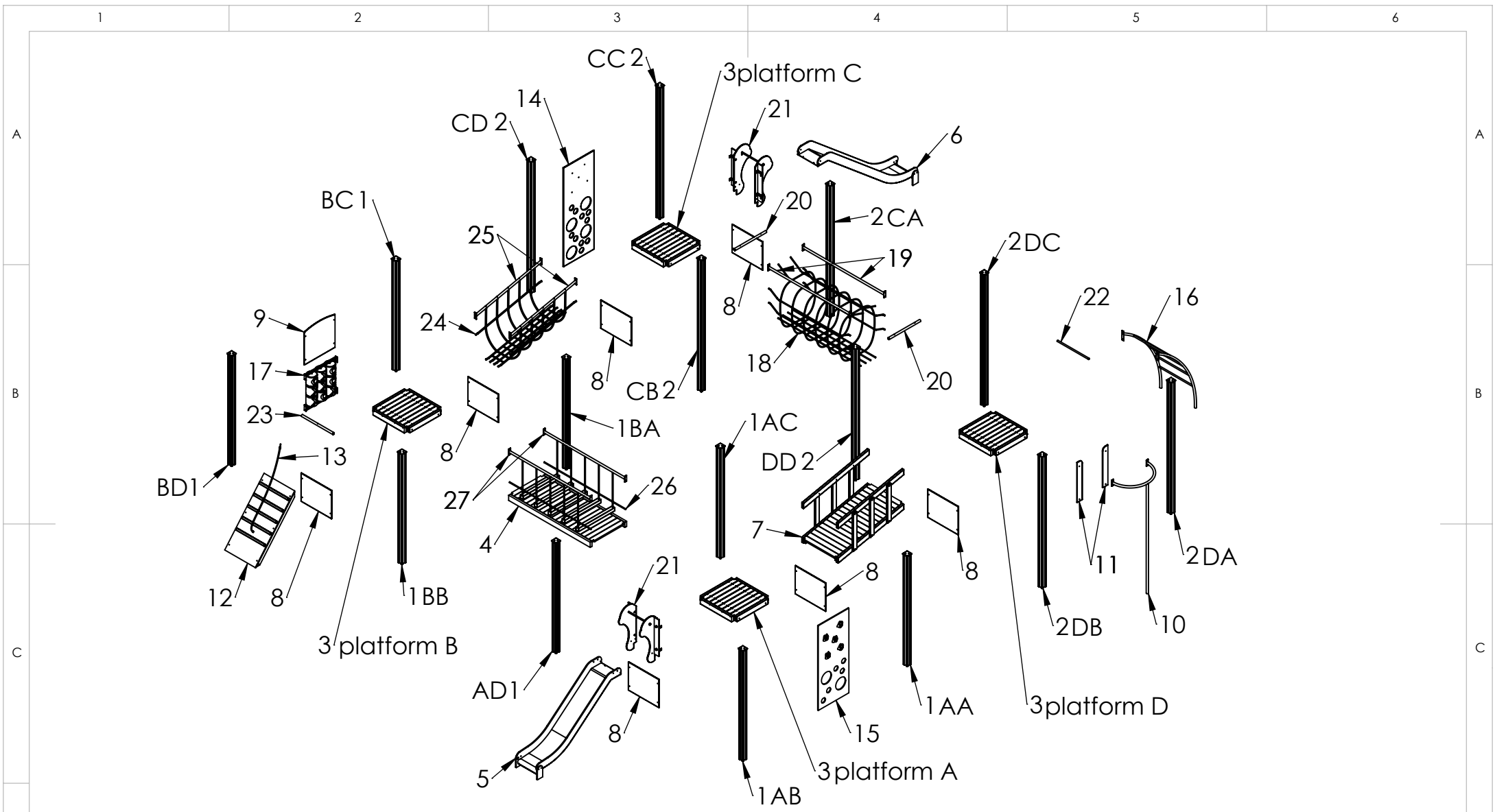
wood, metal, plastic

A4

WEIGHT:

SCALE: 1:100

SHEET 4 OF 17



UNLESS OTHERWISE SPECIFIED:
 DIMENSIONS ARE IN MILLIMETERS
 WEIGHT ARE IN KILOGRAMM

PART NUMBER / DWG NO.:
LM208

	NAME	SIGNATURE	DATE	REVISION
DRAWN	M.Rebase		27.05.2015	
APPV'D				

DESCRIPTION:
Play Centre ALEXANDER



Tiptaptap OÜ
 Tiptaptap OÜ
 Veetorni 9,
 Jüri alevik, Rae vald,
 75301 Harjumaa

MATERIAL:	wood, metal, plastic	A4
WEIGHT:		SCALE: 1:90
		SHEET 5 OF 17

ITEM NO.	PART NUMBER	DESCRIPTION	QTY.
1	post 98x98x2350	laminated wood	8
2	post 98x98x2800	laminated wood	8
3	platform	laminated wood, metal	4
4	bridge platform	laminated wood	1
5	slide h_1200	stainless steel, PE plastic	1
6	slide h_1550	stainless steel, PE plastic	1
7	inclined bridge	laminated wood	1
8	panel 750x600	plywood	7
9	panel 750x750 with logo	plywood	1
10	climbing pole	painted steel	1
11	panel 850x126	plywood	2
12	climbing panel h.1200	laminated wood, plywood	1
13	rope d.16x1200	PP covered steel wire	1
14	climbing wall h_750x2100	plywood	1
15	climbing wall h 750x1800	plywood	1
16	arch ladder	galvanized painted steel	1
17	OXO spinner	PE plastic	1
18	rope tunnel L_2000	PP covered steel wire	1
19	beam 40x2000	painted steel	2
20	guardrail d.40x770 with 2 holes	painted steel	2
21	slide guard block	plywood, metal, plastic	2
22	guardrail Ø25x770	painted steel	1
23	guardrail Ø40x770 with 1 hole	painted steel	1
24	inclined rope bridge	PP covered steel wire	1
25	beam 40x1650	painted steel	2
26	suspended bridge	wooden steps on chain	1
27	beam 40x2000 with 5 holes	painted steel	2

E

UNLESS OTHERWISE SPECIFIED: DIMENSIONS ARE IN MILLIMETERS WEIGHT ARE IN KILOGRAMM				
	NAME	SIGNATURE	DATE	REVISION
DRAWN	M.Rebase		27.05.2015	
APPV'D				

PART NUMBER / DWG NO.:
LM208

DESCRIPTION:
Play Centre ALEXANDER

F



Tiptaptap OÜ
Veetorni 9,
Jüri alevik, Rae vald,
75301 Harjumaa

MATERIAL:	wood, metal, plastic	A4
WEIGHT:		SCALE: 1:100
		SHEET 6 OF 17

A

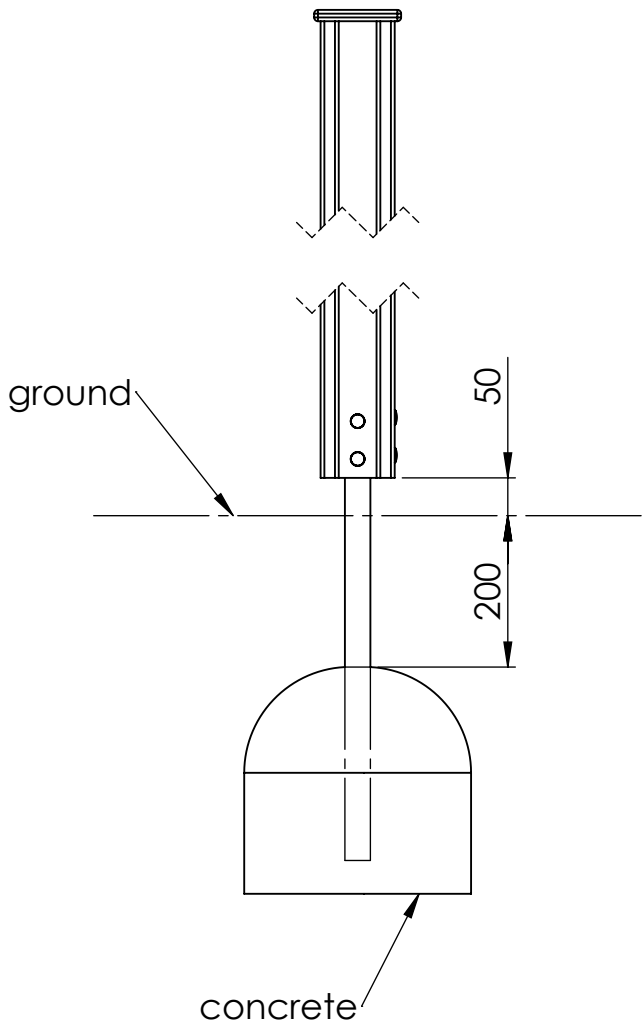
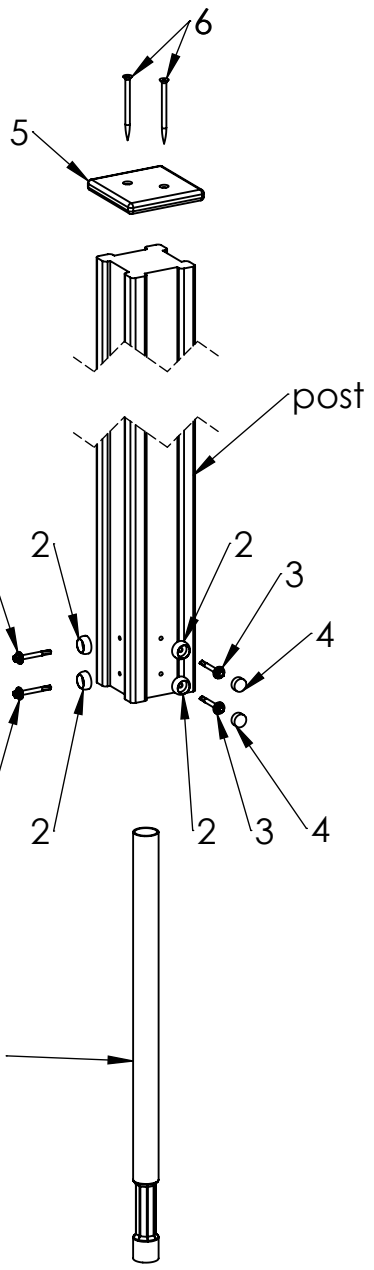
B

C

D

E

F



ITEM NO.	PART NUMBER
1	metal ground fixing L_600
2	nut cover M6
3	screw DIN7504K 5,5x50
4	nut cover cap M6
5	plastic cap 115x115
6	Woodscrew 6 x 90

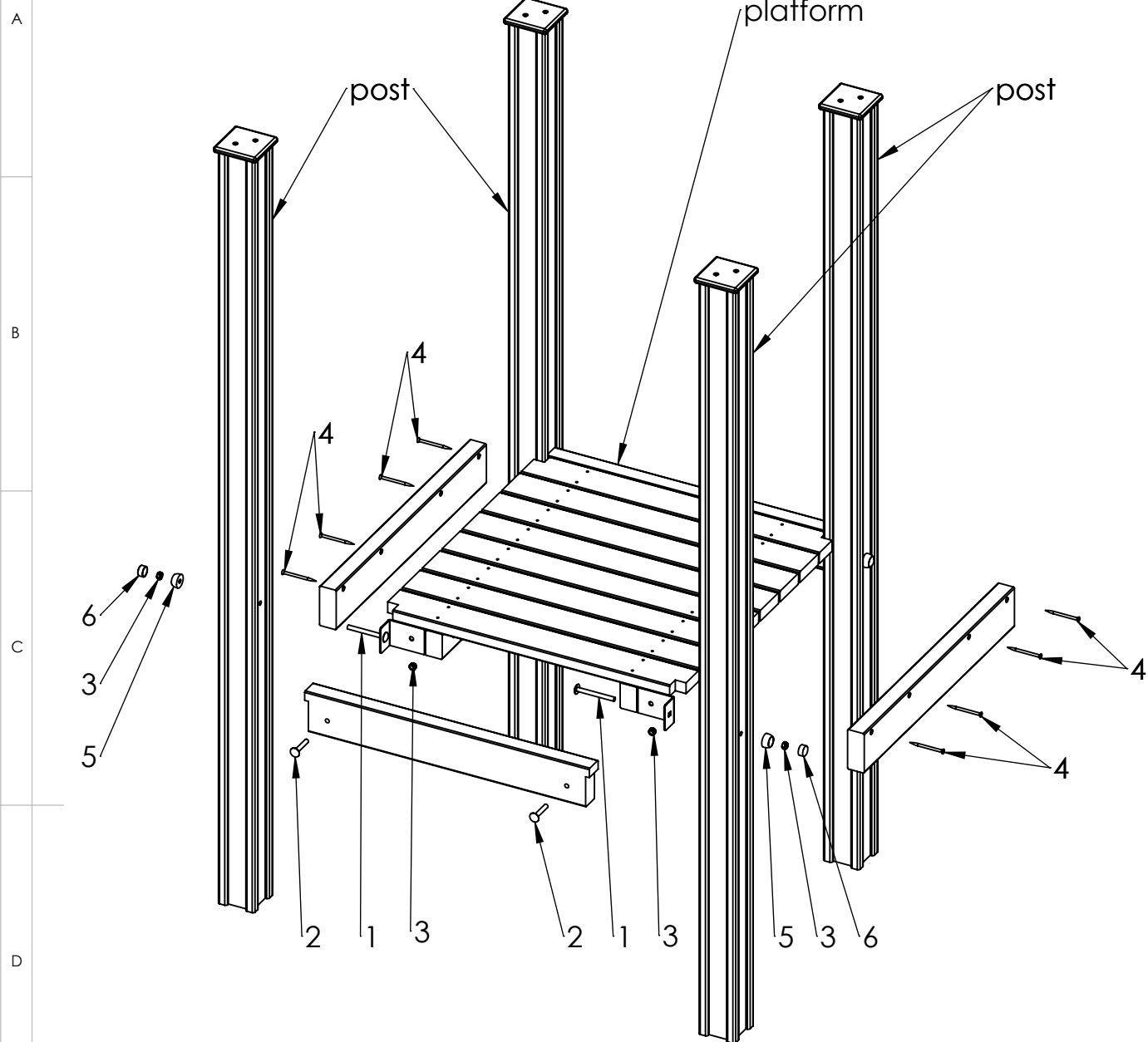
UNLESS OTHERWISE SPECIFIED: DIMENSIONS ARE IN MILLIMETERS WEIGHT ARE IN KILOGRAMM				
	NAME	SIGNATURE	DATE	REVISION
DRAWN	M.Rebase		27.05.2015	
APPV'D				

PART NUMBER / DWG NO.:	LM208
DESCRIPTION:	Play Centre ALEXANDER



Tiptaptap OÜ
 Veetorni 9,
 Jüri alevik, Rae vald,
 75301 Harjumaa

MATERIAL:	wood, metal, plastic	A4
WEIGHT:	SCALE: 1:10	SHEET 7 OF 17



E

ITEM NO.	PART NUMBER
1	bolt DIN603 M10x100
2	bolt DIN603 M10x60
3	nut DIN985 M10
4	woodscrew 6 x 90
5	nut cover M10
6	nut cover cap M10

F

UNLESS OTHERWISE SPECIFIED:
DIMENSIONS ARE IN MILLIMETERS
WEIGHT ARE IN KILOGRAMM

	NAME	SIGNATURE	DATE	REVISION
DRAWN	M.Rebase		27.05.2015	
APPV'D				

PART NUMBER / DWG NO.:

LM208

DESCRIPTION:

Play Centre ALEXANDER
connecting platform to post

MATERIAL:

wood, metal, plastic

A4

WEIGHT:

SCALE: 1:15

SHEET 8 OF 17



Tiptaptap OÜ

Tiptaptap OÜ
Veetorni 9,
Jüri alevik, Rae vald,
75301 Harjumaa

A

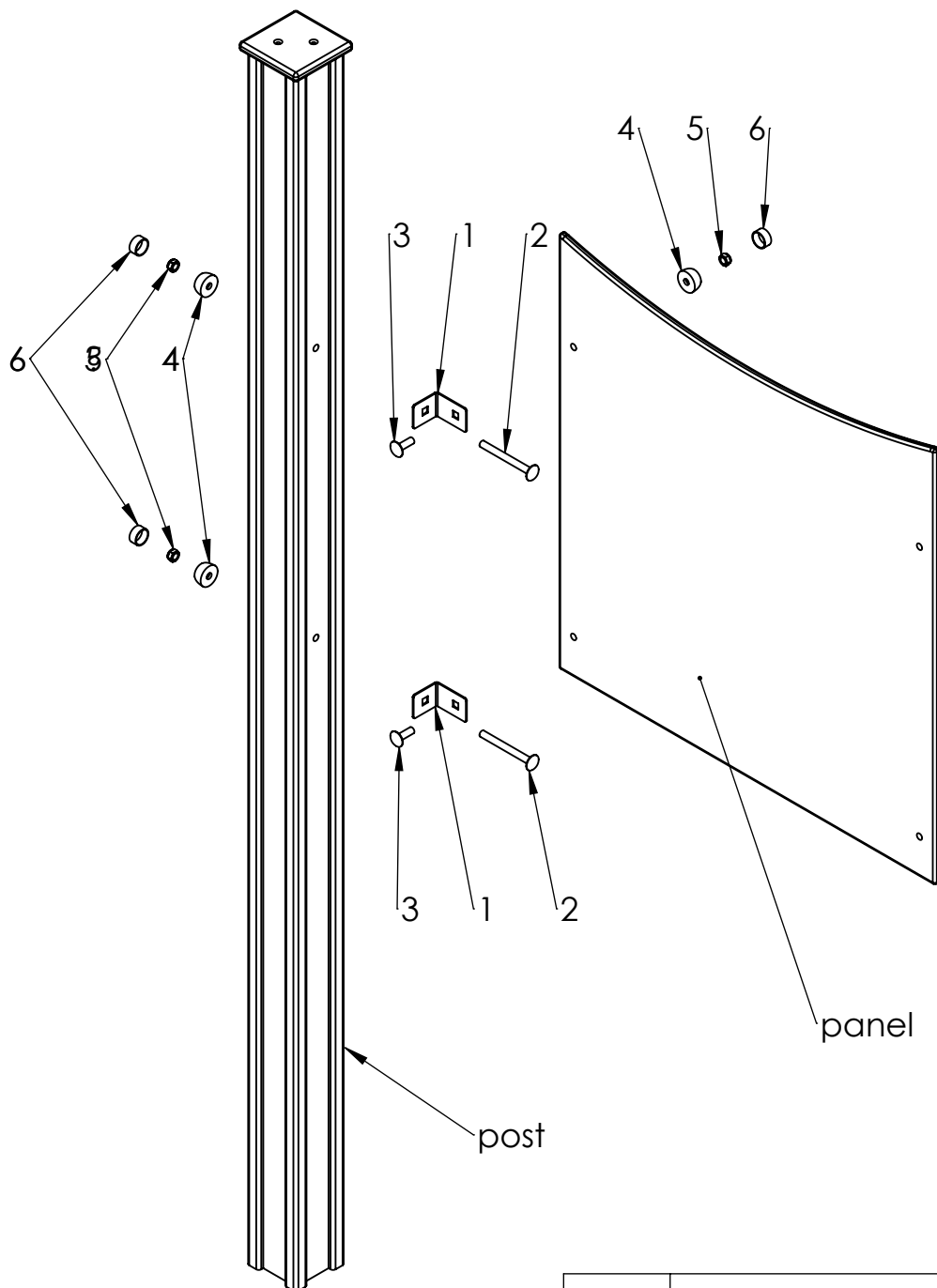
B

C

D

E

F



ITEM NO.	PART NUMBER
1	corner 48x60
2	bolt DIN603 M10x100
3	bolt DIN603 M10x30
4	nut cover M10
5	nut DIN985 M10
6	nut cover cap M10

UNLESS OTHERWISE SPECIFIED:
DIMENSIONS ARE IN MILLIMETERS
WEIGHT ARE IN KILOGRAMM

PART NUMBER / DWG NO.:

LM208

	NAME	SIGNATURE	DATE	REVISION
DRAWN	M.Rebase		27.05.2015	
APPV'D				

DESCRIPTION:

Play Centre ALEXANDER
connecting panel to post

MATERIAL:

wood, metal, plastic

A4

WEIGHT:

SCALE: 1:10

SHEET 9 OF 17



Tiptap OÜ

Tiptap OÜ
Veetorni 9,
Jüri alevik, Rae vald,
75301 Harjumaa

A

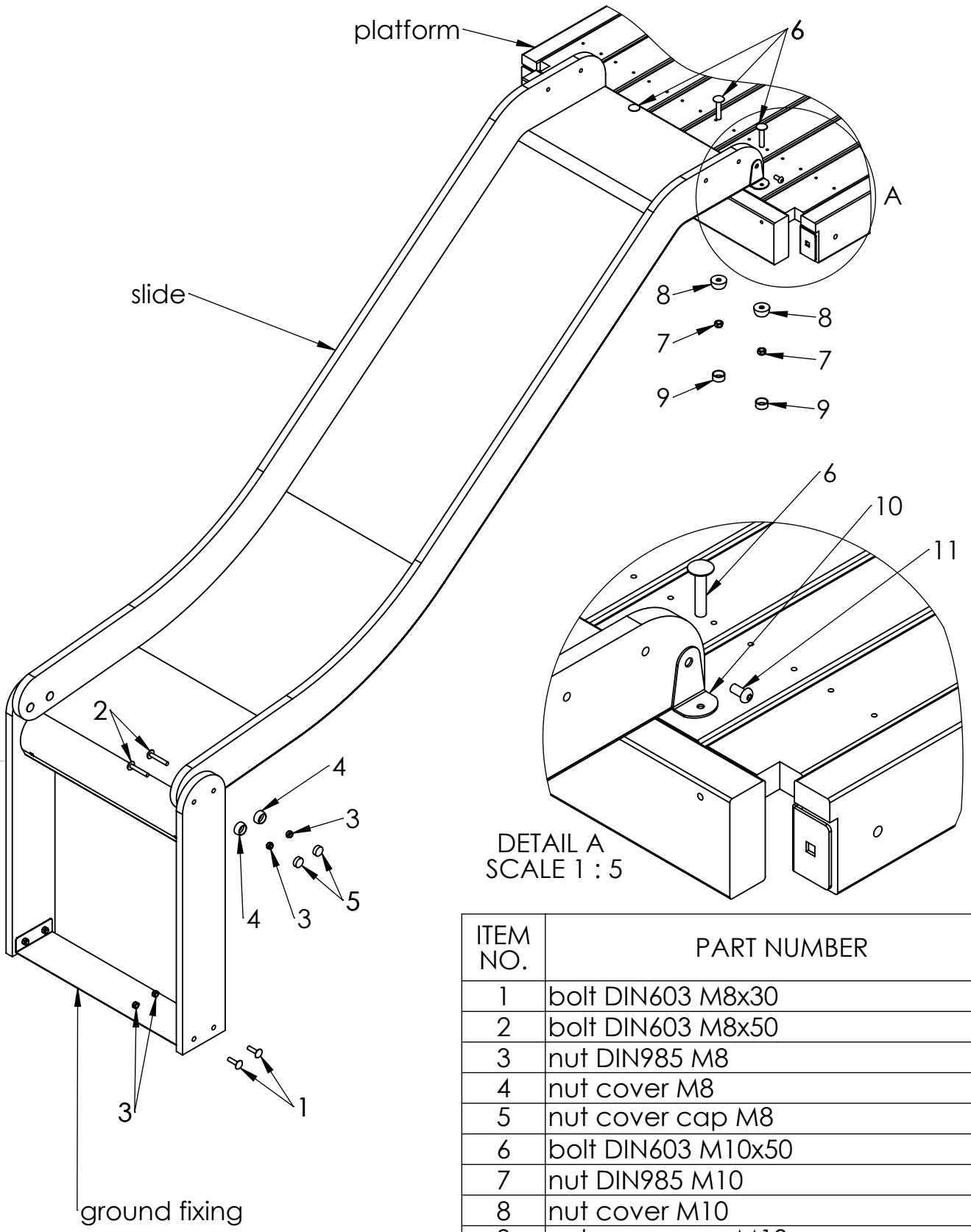
B

C

D

E

F



DETAIL A
SCALE 1 : 5

ITEM NO.	PART NUMBER
1	bolt DIN603 M8x30
2	bolt DIN603 M8x50
3	nut DIN985 M8
4	nut cover M8
5	nut cover cap M8
6	bolt DIN603 M10x50
7	nut DIN985 M10
8	nut cover M10
9	nut cover cap M10
10	corner 58x30
11	metal screw DIN 7380 M8x16

UNLESS OTHERWISE SPECIFIED:
DIMENSIONS ARE IN MILLIMETERS
WEIGHT ARE IN KILOGRAMM

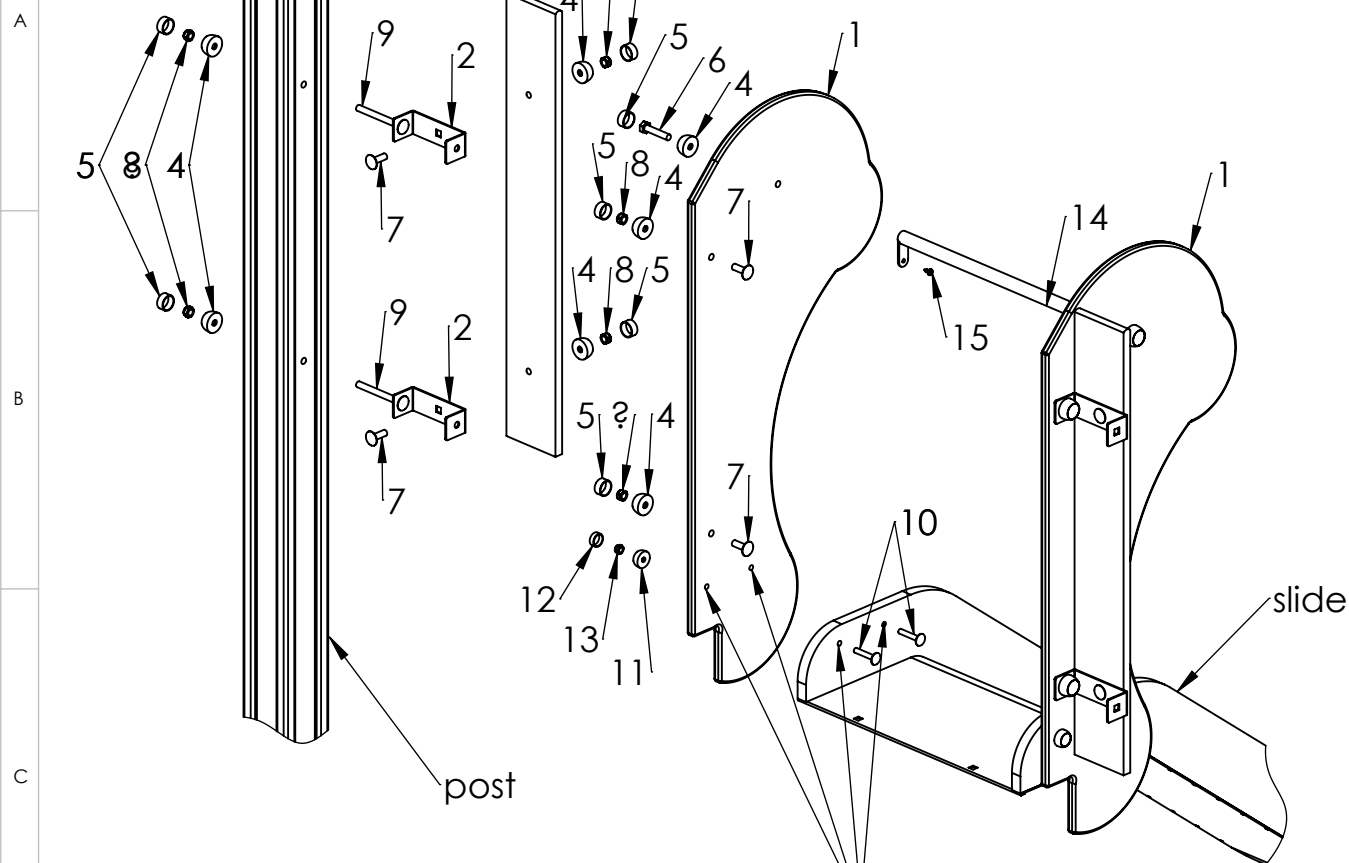
NAME	SIGNATURE	DATE	REVISION
DRAWN M.Rebase		27.05.2015	
APPV'D			

PART NUMBER / DWG NO.:		LM208	
DESCRIPTION:			
Play Centre ALEXANDER connecting slide to platform			
MATERIAL:		wood, metal, plastic	A4
WEIGHT:		SCALE: 1:12	SHEET 10 OF 17



Tiptap OÜ

Tiptap OÜ
Veetorni 9,
Jüri alevik, Rae vald,
75301 Harjumaa



It is important to drill 8,5mm holes through side panel and slide.

ITEM NO.	PART NUMBER
1	slide side panel
2	slide side panel fixing 40x120
3	side panel 110x780
4	nut cover M10
5	nut cover cap M10
6	bolt DIN931 M10x50
7	bolt DIN603 M10x30
8	nut DIN985 M10
9	bolt DIN603 M10x100
10	bolt DIN603 M8x45
11	nut cover M8
12	nut cover cap M8
13	nut DIN985 M8
14	slide guardrail
15	wood screw 4,8x13

UNLESS OTHERWISE SPECIFIED:
DIMENSIONS ARE IN MILLIMETERS
WEIGHT ARE IN KILOGRAMM

PART NUMBER / DWG NO.:

LM208

	NAME	SIGNATURE	DATE	REVISION
DRAWN	M.Rebase		27.05.2015	
APPV'D				

DESCRIPTION:

Play Centre ALEXANDER
connecting slide guard block to post

MATERIAL:

wood, metal, plastic

A4

WEIGHT:

SCALE: 1:12

SHEET 11 OF 17



Tiptap OÜ

Tiptap OÜ
Veetorni 9,
Jüri alevik, Rae vald,
75301 Harjumaa

A

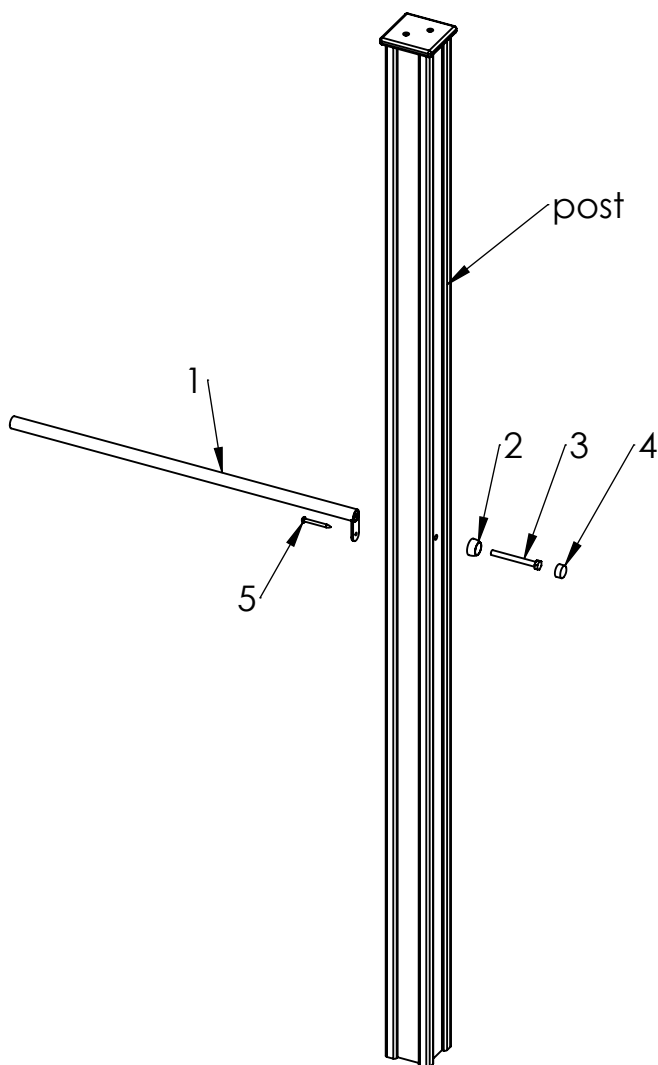
B

C

D

E

F



ITEM NO.	PART NUMBER
1	guardrail ϕ 25x770
2	nut cover M10
3	bolt DIN931 M10x100
4	nut cover cap M10
5	screw DIN7996 6x60

UNLESS OTHERWISE SPECIFIED:
DIMENSIONS ARE IN MILLIMETERS
WEIGHT ARE IN KILOGRAMM

	NAME	SIGNATURE	DATE	REVISION
DRAWN	M.Rebase		27.05.2015	
APPV'D				

PART NUMBER / DWG NO.:

LM208
connecting guardrail to post

DESCRIPTION:

Play Centre ALEXANDER
connecting quardrail to post

MATERIAL:

wood, metal, plastic

A4

WEIGHT:

SCALE: 1:15

SHEET 12 OF 17



Tiptaptap OÜ

Tiptaptap OÜ
Veetorni 9,
Jüri alevik, Rae vald,
75301 Harjumaa

A

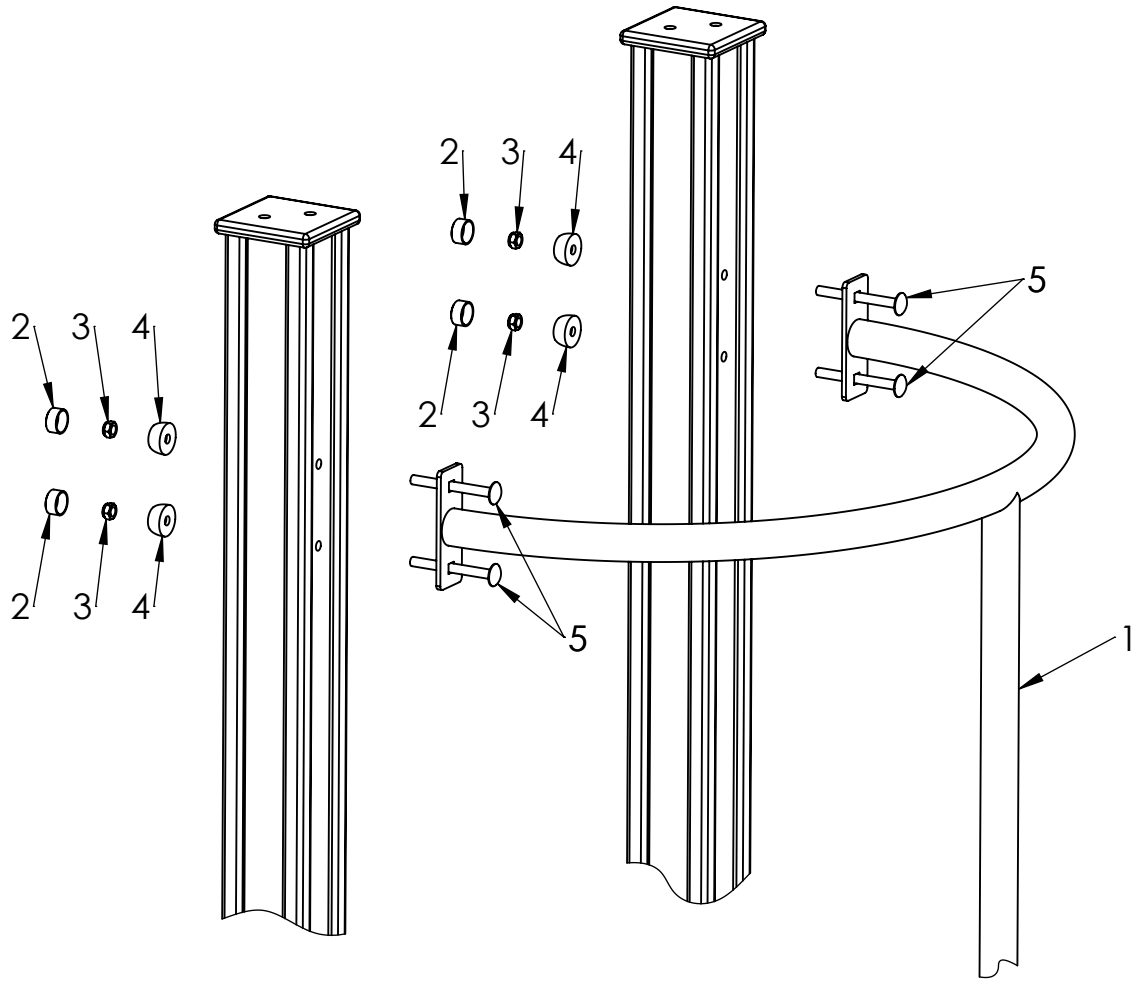
B

C

D

E

F



ITEM NO.	PART NUMBER
1	climbing pole
2	nut cover cap M10
3	nut DIN985 M10
4	nut cover M10
5	bolt DIN603 M10x100

UNLESS OTHERWISE SPECIFIED: DIMENSIONS ARE IN MILLIMETERS WEIGHT ARE IN KILOGRAMM				
	NAME	SIGNATURE	DATE	REVISION
DRAWN	M.Rebase		27.05.2015	
APPV'D				

PART NUMBER / DWG NO.:	LM208
DESCRIPTION:	Play Centre ALEXANDER connecting climbing pole to post



Tiptaptap OÜ
 Veetorni 9,
 Jüri alevik, Rae vald,
 75301 Harjumaa

MATERIAL:	wood, metal, plastic	A4
WEIGHT:	SCALE: 1:8	SHEET 13 OF 17

A

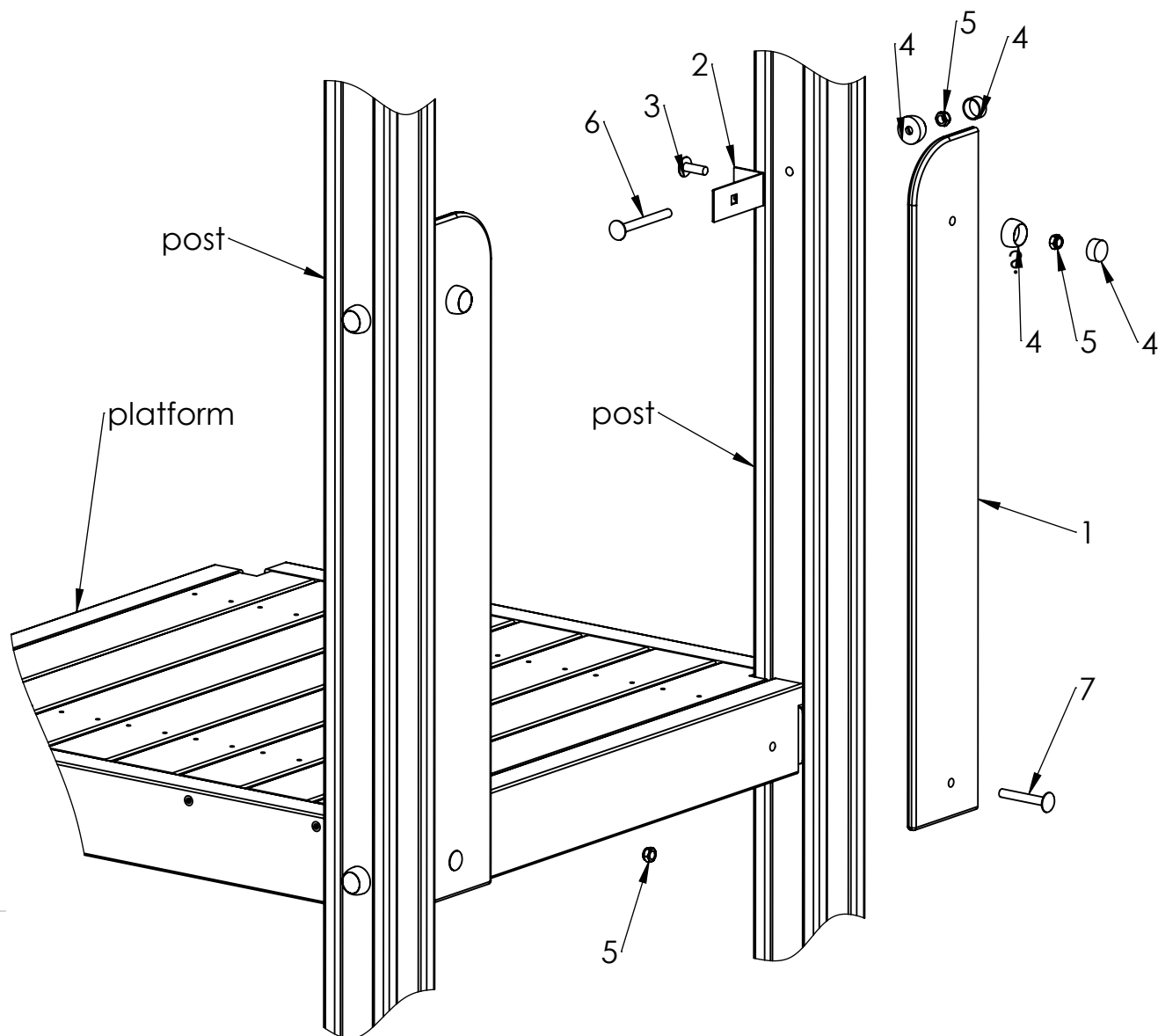
B

C

D

E

F



ITEM NO.	PART NUMBER
1	panel 850x126
2	slide side panel fixing 40x100
3	bolt DIN603 M10x30
4	nut cover with cap
5	nut DIN985 M10
6	bolt DIN603 M10x100
7	bolt DIN603 M10x70

UNLESS OTHERWISE SPECIFIED:
DIMENSIONS ARE IN MILLIMETERS
WEIGHT ARE IN KILOGRAMM

	NAME	SIGNATURE	DATE	REVISION
DRAWN	M.Rebase		27.05.2015	
APPV'D				

PART NUMBER / DWG NO.:

LM208

DESCRIPTION:

Play Centre ALEXANDER
connecting climbing pole side panels

MATERIAL:

wood, metal, plastic

A4

WEIGHT:

SCALE: 1:8

SHEET 14 OF 17



Tiptaptap OÜ

Tiptaptap OÜ
Veetorni 9,
Jüri alevik, Rae vald,
75301 Harjumaa

A

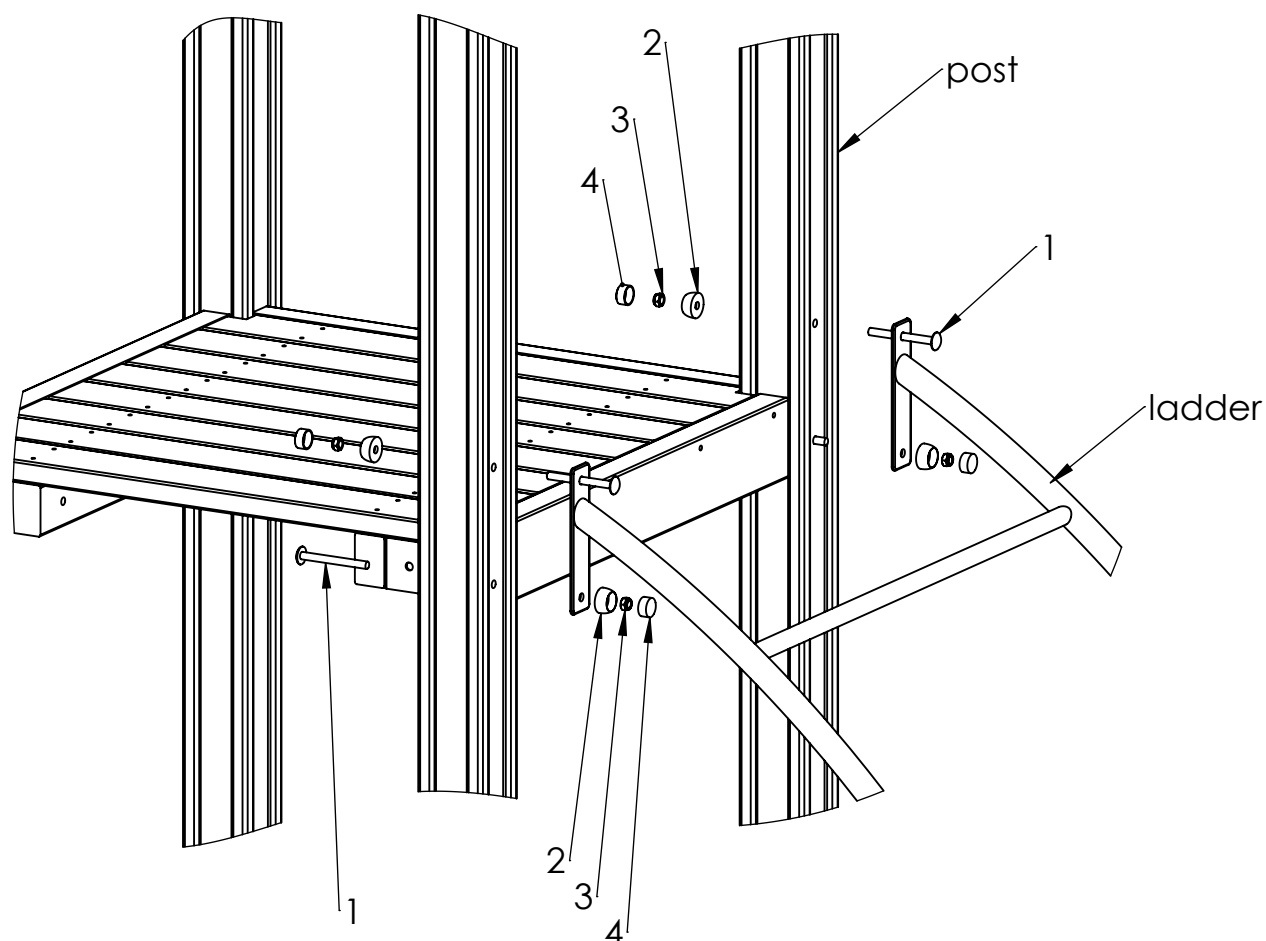
B

C

D

E

F



ITEM NO.	ITEM NAME
1	bolt DIN603 M10x100
2	nut cover
3	nut DIN 985 NYLOC M10
4	nut cover cap

UNLESS OTHERWISE SPECIFIED:
DIMENSIONS ARE IN MILLIMETERS
WEIGHT ARE IN KILOGRAMM

PART NUMBER / DWG NO.:

LM208

	NAME	SIGNATURE	DATE	REVISION
DRAWN	M.Rebase		27.05.2015	
APPV'D				

DESCRIPTION:

Play Centre ALEXANDER
connecting arch ladder to post

MATERIAL:

wood, metal, plastic

A4

WEIGHT:

SCALE: 1:10

SHEET 15 OF 17



Tiptaptap OÜ

Tiptaptap OÜ
Veetorni 9,
Jüri alevik, Rae vald,
75301 Harjumaa

A

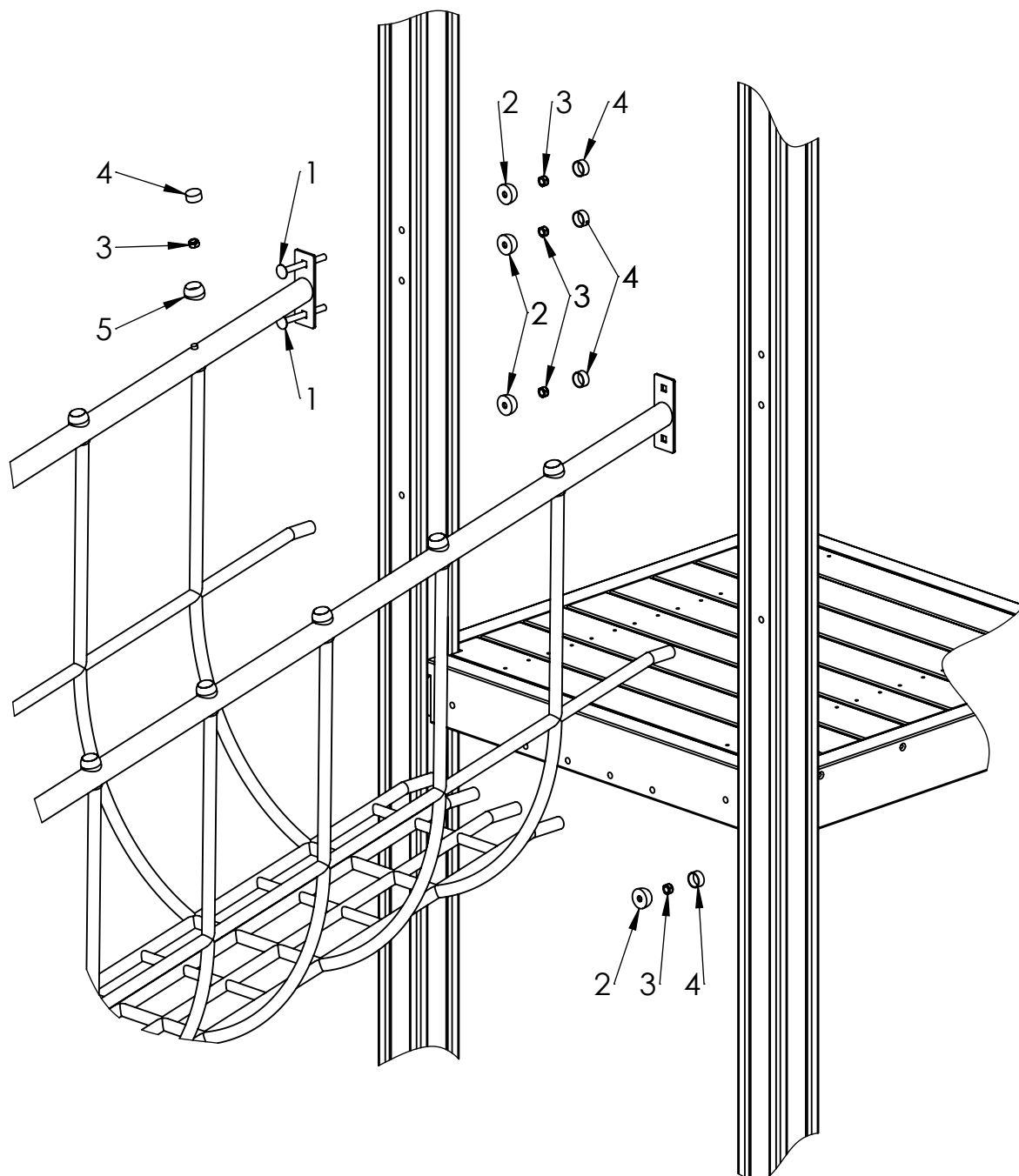
B

C

D

E

F



ITEM NO.	PART NUMBER
1	bolt DIN603 M10x100
2	nut cover M10
3	nut DIN985 M10
4	nut cover cap M10
5	nut cover for beam M10

UNLESS OTHERWISE SPECIFIED:
DIMENSIONS ARE IN MILLIMETERS
WEIGHT ARE IN KILOGRAMM

	NAME	SIGNATURE	DATE	REVISION
DRAWN	M.Rebase		27.05.2015	
APPV'D				

PART NUMBER / DWG NO.:

LM208

DESCRIPTION:

Play Centre ALEXANDER
connecting bridge to post and platform

MATERIAL:

wood, metal, plastic

A4

WEIGHT:

SCALE: 1:11

SHEET 16 OF 17



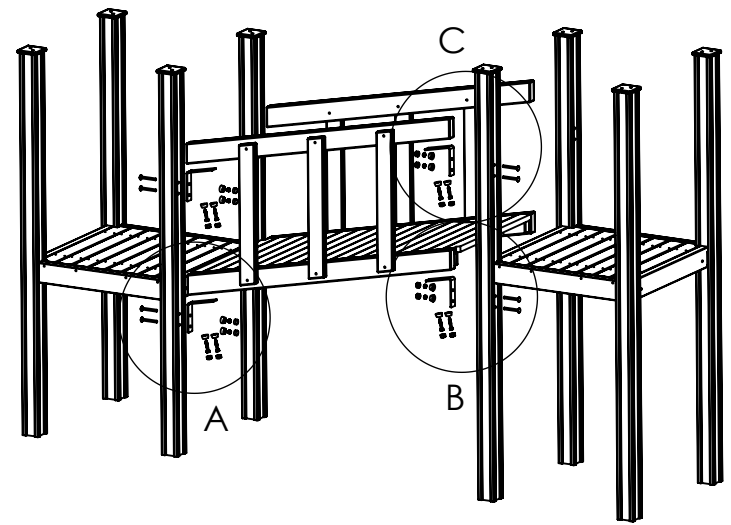
Tiptiptap OÜ

Tiptiptap OÜ
Veetorni 9,
Jüri alevik, Rae vald,
75301 Harjumaa

1 2 3 4 5 6

A

B



ITEM NO.	PART NUMBER
1	corner 160x160x45 102°
2	corner 160x160x45 78°
3	nut cover M10
4	nut cover cap M10
5	nut DIN985 M10
6	bolt DIN603 M10x90
7	wood screw DIN571 10x60

A

B

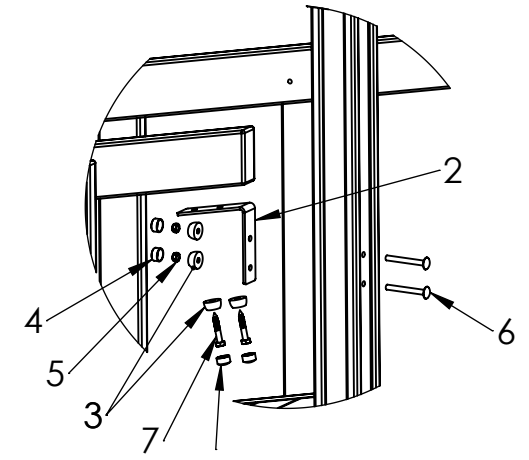
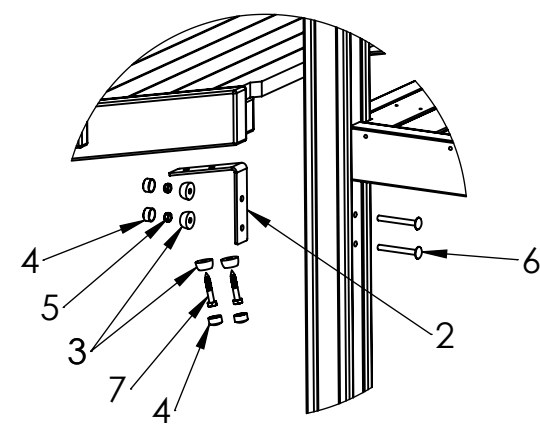
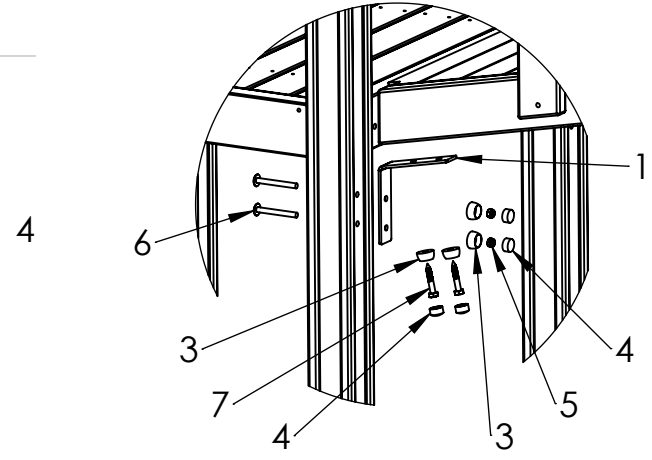
SCALE 1 : 15

SCALE 1 : 15

SCALE 1 : 15

C

D



C

UNLESS OTHERWISE SPECIFIED:
DIMENSIONS ARE IN MILLIMETERS
WEIGHT ARE IN KILOGRAMM

	NAME	SIGNATURE	DATE	REVISION
DRAWN	M.Rebase		27.05.2015	
APPV'D				

PART NUMBER / DWG NO.:
LM208

DESCRIPTION:
**Play Centre ALEXANDER
connecting bridge to post**



Tiptaptap OÜ
Tiptaptap OÜ
Veetorni 9,
Jüri alevik, Rae vald,
75301 Harjumaa

MATERIAL:
wood, metal, plastic

A4

WEIGHT: SCALE: 1:40 SHEET 17 OF 17

1 2