

A

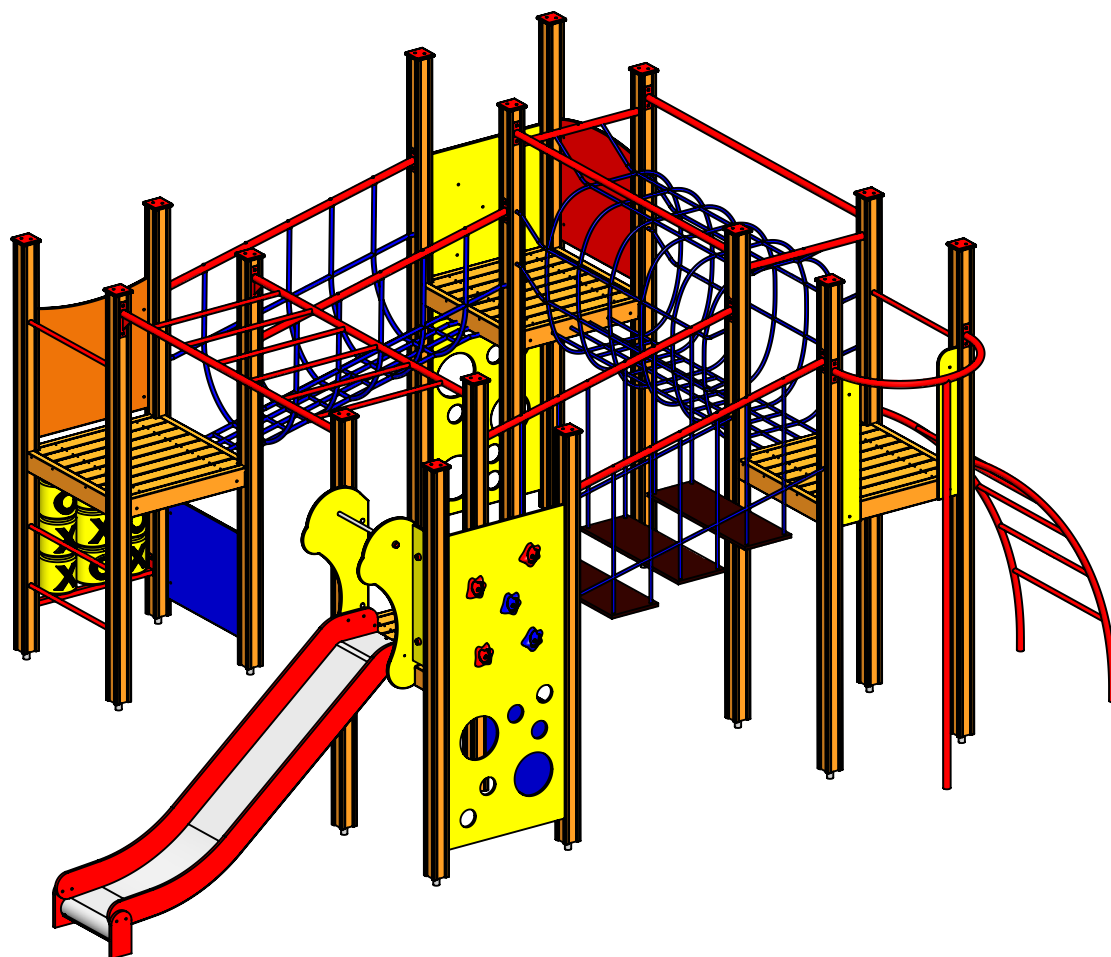
B

C

D

E

F



UNLESS OTHERWISE SPECIFIED:  
DIMENSIONS ARE IN MILLIMETERS  
WEIGHT ARE IN KILOGRAMM

PART NUMBER / DWG NO.:

LM208-1

	NAME	SIGNATURE	DATE	REVISION
DRAWN	M.Rebase		02.07.2015	
APPV'D				

DESCRIPTION:

Play centre ALEXANDRA



**Tiptaptap** OÜ

Tiptaptap OÜ  
Veetorni 9,  
Jüri alevik, Rae vald,  
75301 Harjumaa

MATERIAL:

wood, metal, plastic

A4

WEIGHT:

SCALE: 1:40

SHEET 1 OF 17

# safety area

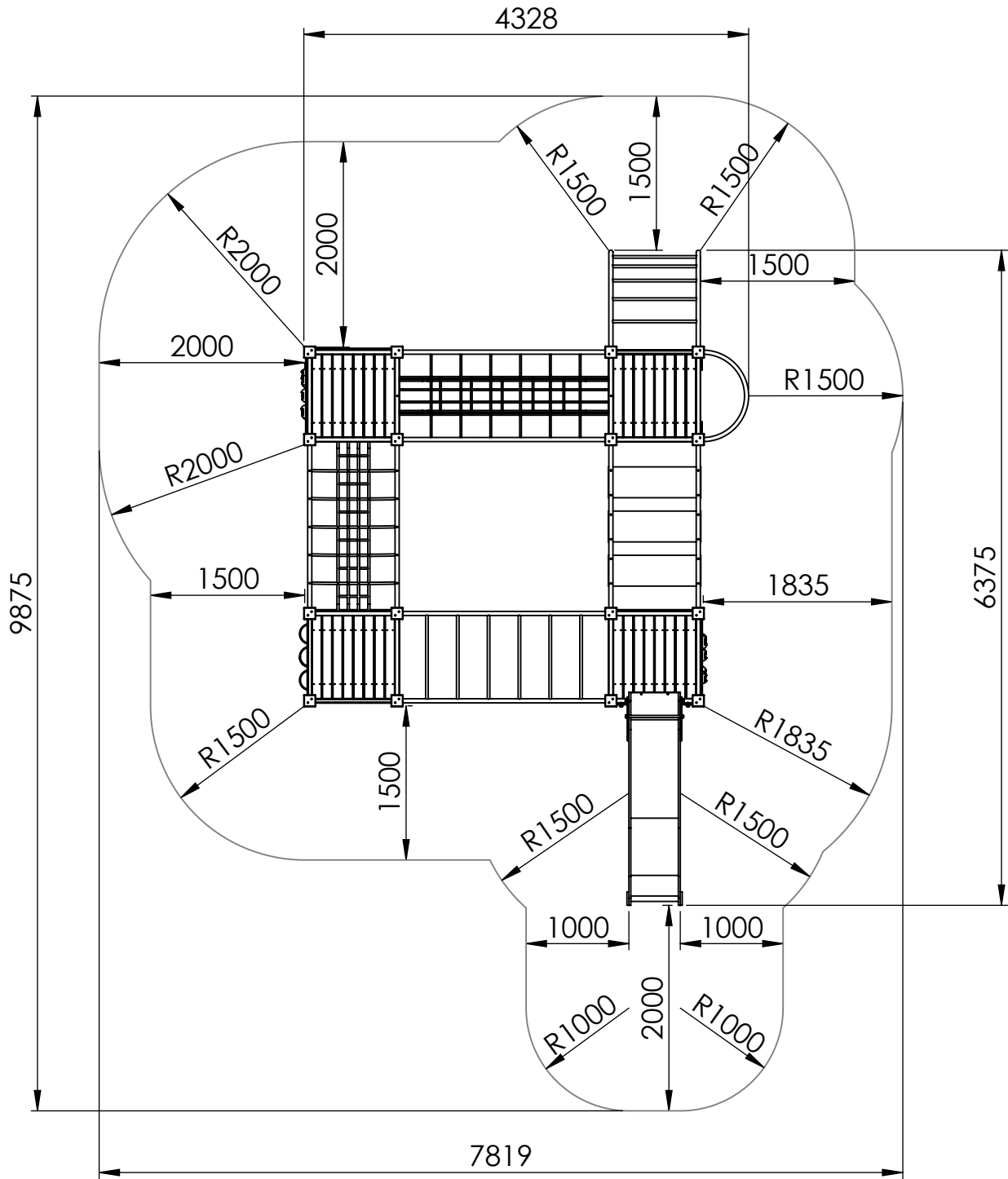
A

B

C

D

E



UNLESS OTHERWISE SPECIFIED:  
DIMENSIONS ARE IN MILLIMETERS  
WEIGHT ARE IN KILOGRAMM

PART NUMBER / DWG NO.:

LM208-1

	NAME	SIGNATURE	DATE	REVISION
DRAWN	M.Rebase		02.07.2015	
APPV'D				

DESCRIPTION:

Play centre ALEXANDRA



**Tiptaptap** OÜ

Tiptaptap OÜ  
Veetorni 9,  
Jüri alevik, Rae vald,  
75301 Harjumaa

MATERIAL:

wood, metal, plastic

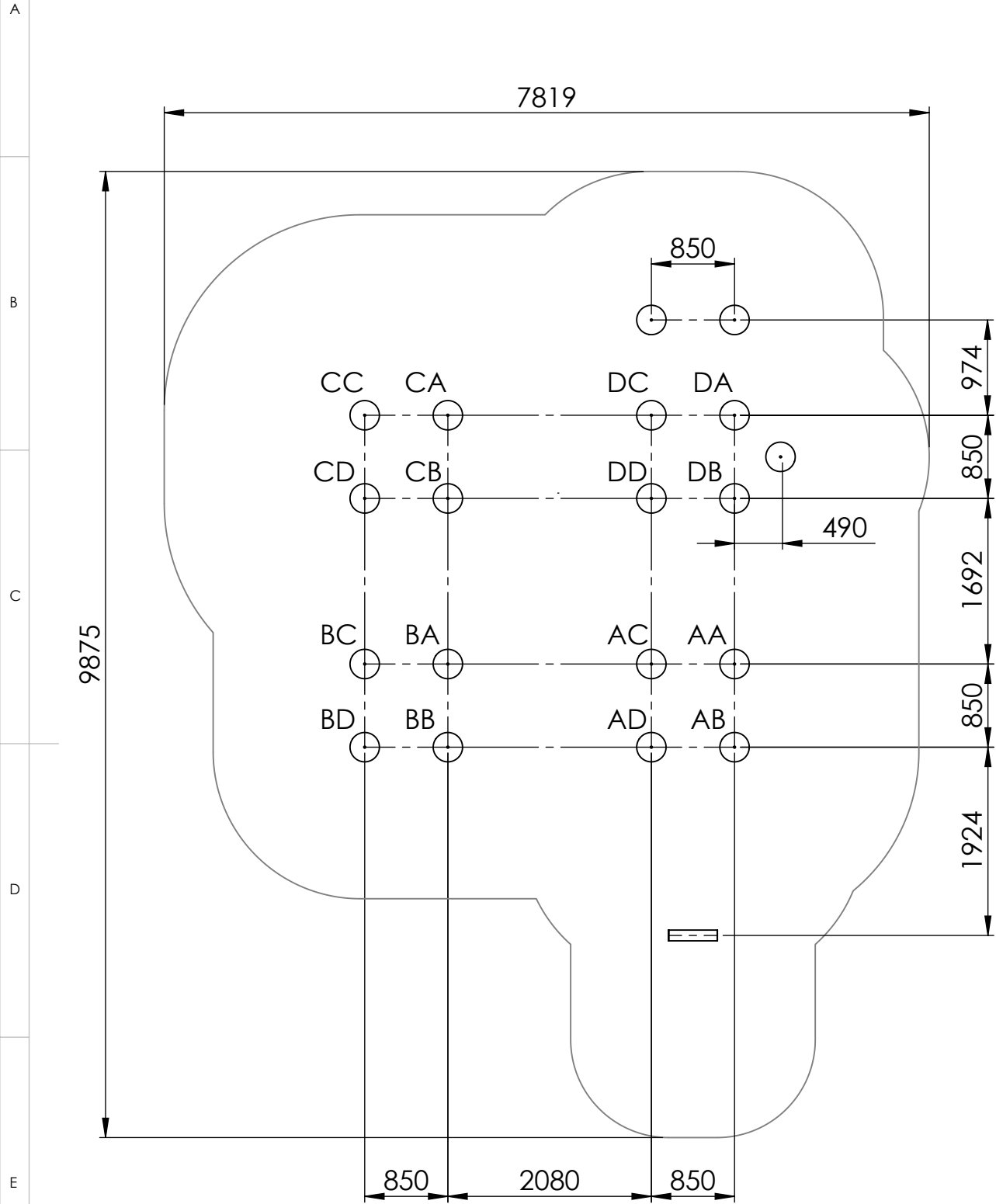
A4

WEIGHT:

SCALE: 1:60

SHEET 2 OF 17

# foundation



depth of foundation 500mm

UNLESS OTHERWISE SPECIFIED:  
DIMENSIONS ARE IN MILLIMETERS  
WEIGHT ARE IN KILOGRAMM

PART NUMBER / DWG NO.:

LM208-1

	NAME	SIGNATURE	DATE	REVISION
DRAWN	M.Rebase		02.07.2015	
APPV'D				

DESCRIPTION:

Play centre ALEXANDRA



**Tiptaptap** OÜ

Tiptaptap OÜ  
Veetorni 9,  
Jüri alevik, Rae vald,  
75301 Harjumaa

MATERIAL:

wood, metal, plastic

A4

WEIGHT:

SCALE: 1:60

SHEET 3 OF 17

A

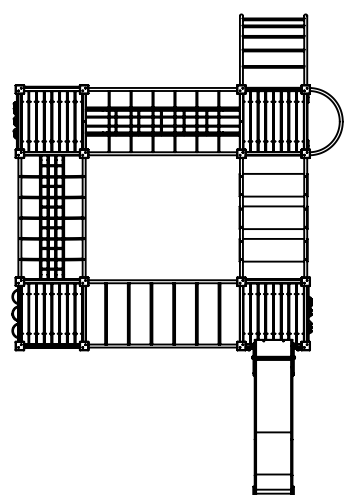
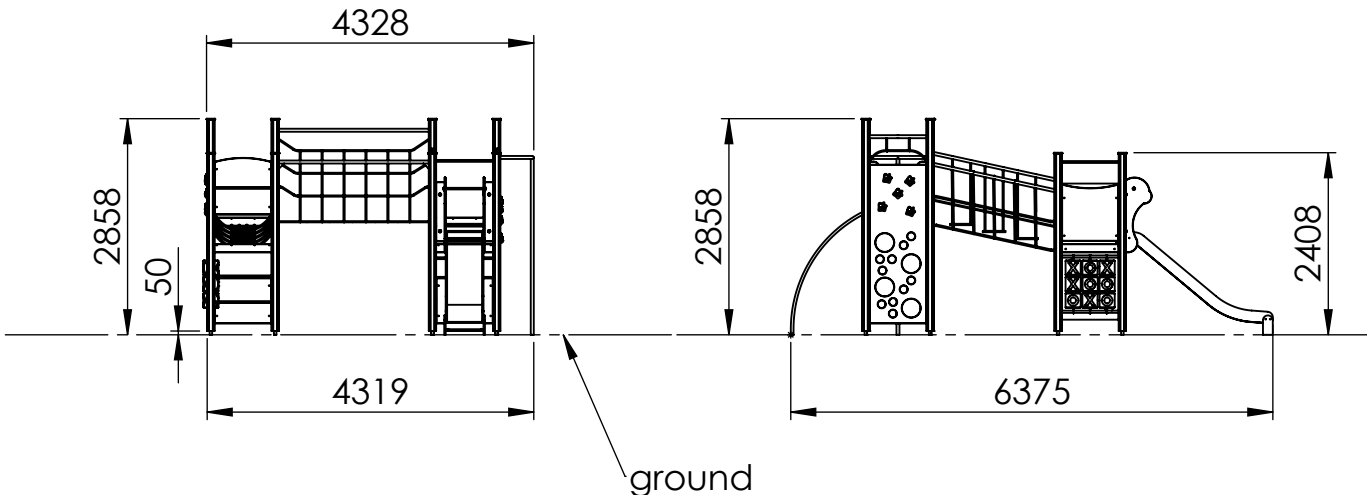
B

C

D

E

F



UNLESS OTHERWISE SPECIFIED:  
DIMENSIONS ARE IN MILLIMETERS  
WEIGHT ARE IN KILOGRAMM

	NAME	SIGNATURE	DATE	REVISION
DRAWN	M.Rebase		02.07.2015	
APPV'D				

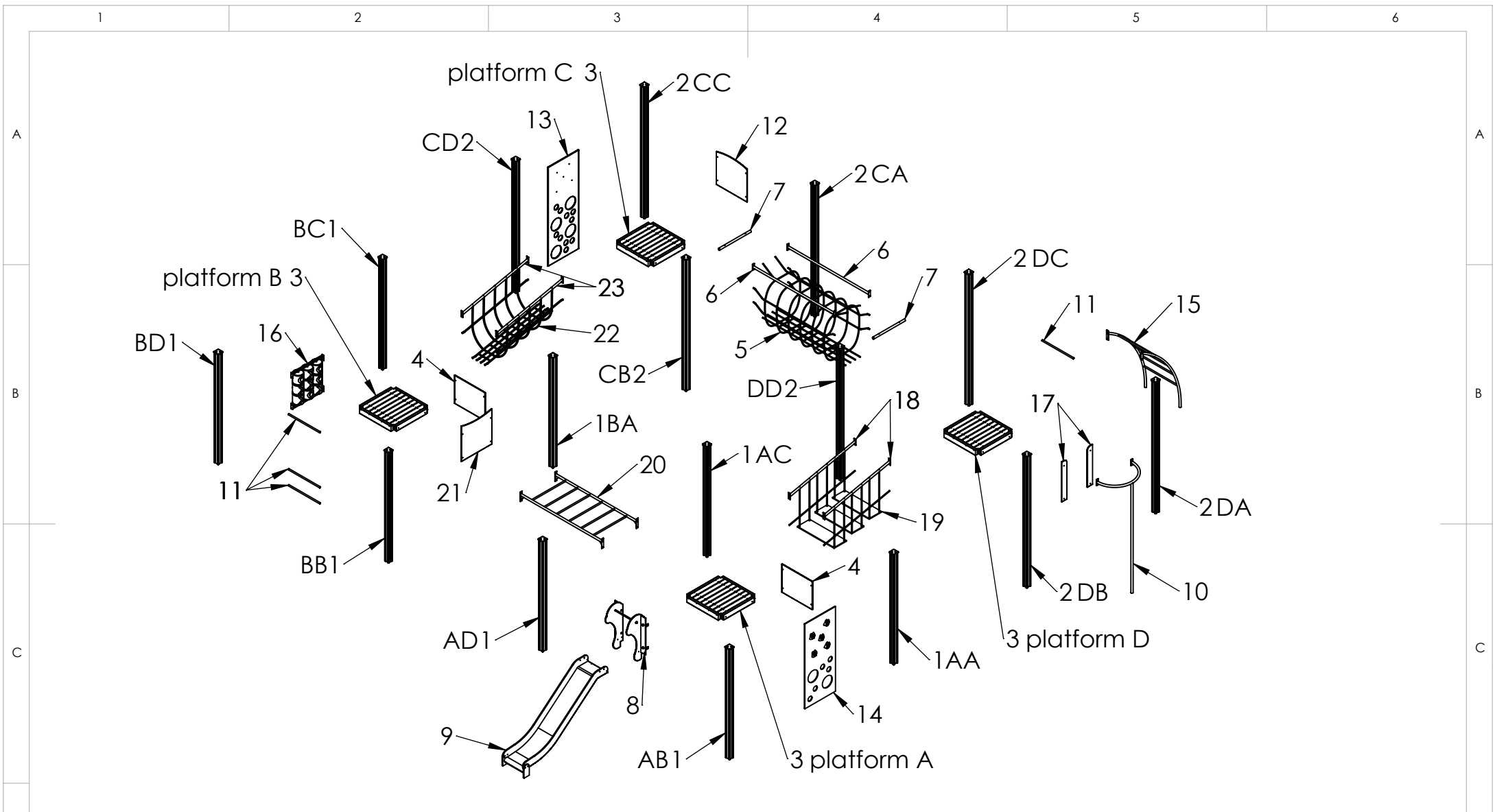
PART NUMBER / DWG NO.:  
**LM208-1**


DESCRIPTION:  
**Play centre ALEXANDRA**



**Tiptaptap** OÜ  
Veetorni 9,  
Jüri alevik, Rae vald,  
75301 Harjumaa

MATERIAL:	wood, metal, plastic	A4
WEIGHT:	SCALE: 1:100	SHEET 4 OF 17



UNLESS OTHERWISE SPECIFIED: DIMENSIONS ARE IN MILLIMETERS WEIGHT ARE IN KILOGRAMM					PART NUMBER / DWG NO.: <b>LM208-1</b>	
	NAME	SIGNATURE	DATE	REVISION	DESCRIPTION: <b>Play centre ALEXANDRA</b>	
DRAWN	M.Rebase		02.07.2015			
APPV'D						
 <b>Tiptap</b> OÜ Tiptap OÜ Veetorni 9, Jüri alevik, Rae vald, 75301 Harjumaa					MATERIAL:	wood, metal, plastic
					WEIGHT:	SCALE: 1:90
					SHEET 5 OF 17	

ITEM NO.	PART NUMBER	DESCRIPTION	QTY.
A 1	post 98x98x2350	laminated wood	8
2	post 98x98x2800	laminated wood	8
3	platform	laminated wood, metal	4
4	panel 750x600	plywood	2
5	rope tunnel L_2000	PP covered steel wire	1
6	beam 40x2000	painted steel	2
7	guardrail d.40x770 with 2 holes	painted steel	2
B 8	slide guard block	plywood, metal, plastic	1
9	slide h_1200	stainless steel, PE plastic	1
10	climbing pole	painted steel	1
11	guardrail Ø25x770	painted steel	4
12	panel 750x750 with logo	plywood	1
13	climbing wall h_750x2100	plywood	1
14	climbing wall h 750x1800	plywood	1
15	arch ladder	galvanized painted steel	1
C 16	OXO spinner	PE plastic	1
17	panel 850x126	plywood	2
18	inclined beam d.40x1650 6 holes	painted steel	2
19	inclined rope bridge with 3 steps	PP covered steel wire, plywood	1
20	ladder_horisontal	painted steel	1
21	panel 750x750	plywood	1
22	inclined rope bridge	PP covered steel wire	1
D 23	inclined beam d.40x1650 6 holes	painted steel	2

UNLESS OTHERWISE SPECIFIED:  
DIMENSIONS ARE IN MILLIMETERS  
WEIGHT ARE IN KILOGRAMM

PART NUMBER / DWG NO.:

LM208-1

	NAME	SIGNATURE	DATE	REVISION
DRAWN	M.Rebase		02.07.2015	
APPV'D				

DESCRIPTION:

Play centre ALEXANDRA

MATERIAL:

wood, metal, plastic

A4

WEIGHT:

SCALE: 1:90

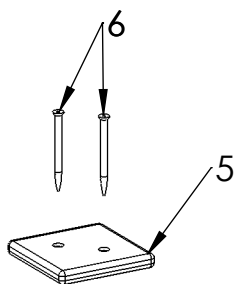
SHEET 6 OF 17



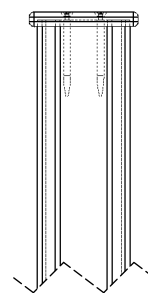
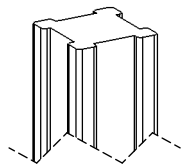
**Tiptiptap** OÜ

Tiptiptap OÜ  
Veetorni 9,  
Jüri alevik, Rae vald,  
75301 Harjumaa

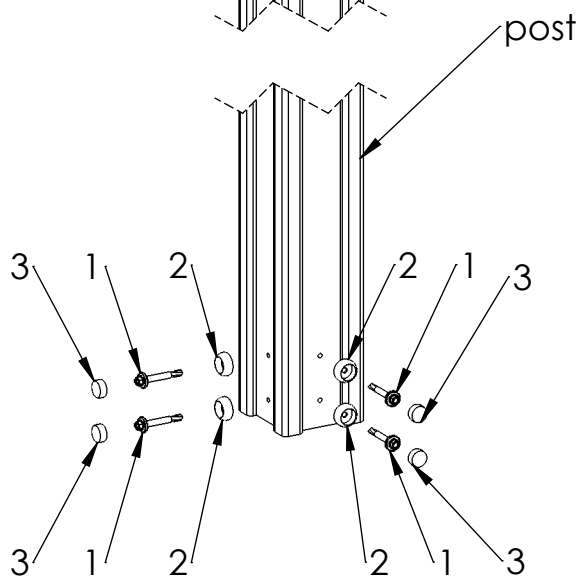
A



B

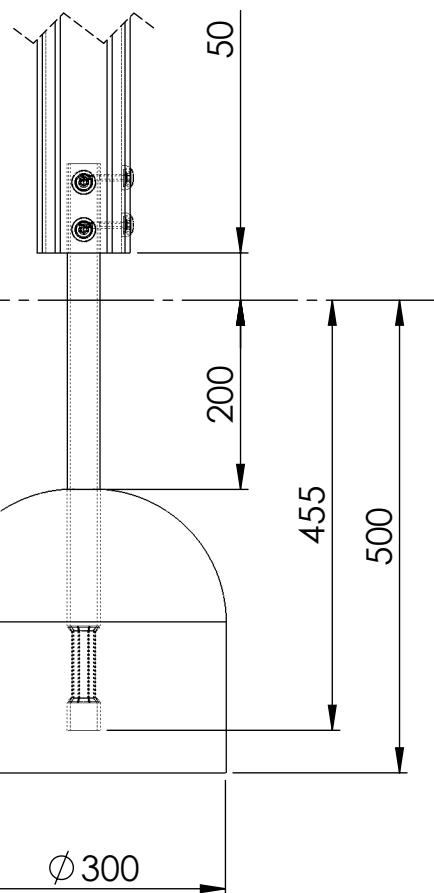


C

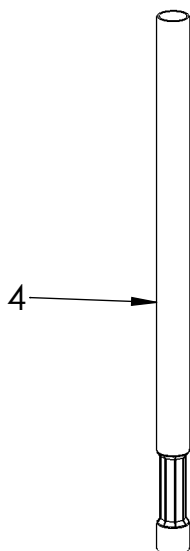


ground

concrete



D



E

ITEM NO.	PART NUMBER
1	screw DIN7504K 5,5x50
2	nut cover M6
3	nut cover cap M6
4	metal ground fixing L_600
5	plastic cap 115x115
6	woodscrew 6 x 90

UNLESS OTHERWISE SPECIFIED:  
DIMENSIONS ARE IN MILLIMETERS  
WEIGHT ARE IN KILOGRAMM

PART NUMBER / DWG NO.:

LM208-1

	NAME	SIGNATURE	DATE	REVISION
DRAWN	M.Rebase		02.07.2015	
APPV'D				

DESCRIPTION:

Play centre ALEXANDRA  
connecting metal ground fixing to post

F



**Tiptiptap** OÜ

Tiptiptap OÜ  
Veetorni 9,  
Jüri alevik, Rae vald,  
75301 Harjumaa

MATERIAL:

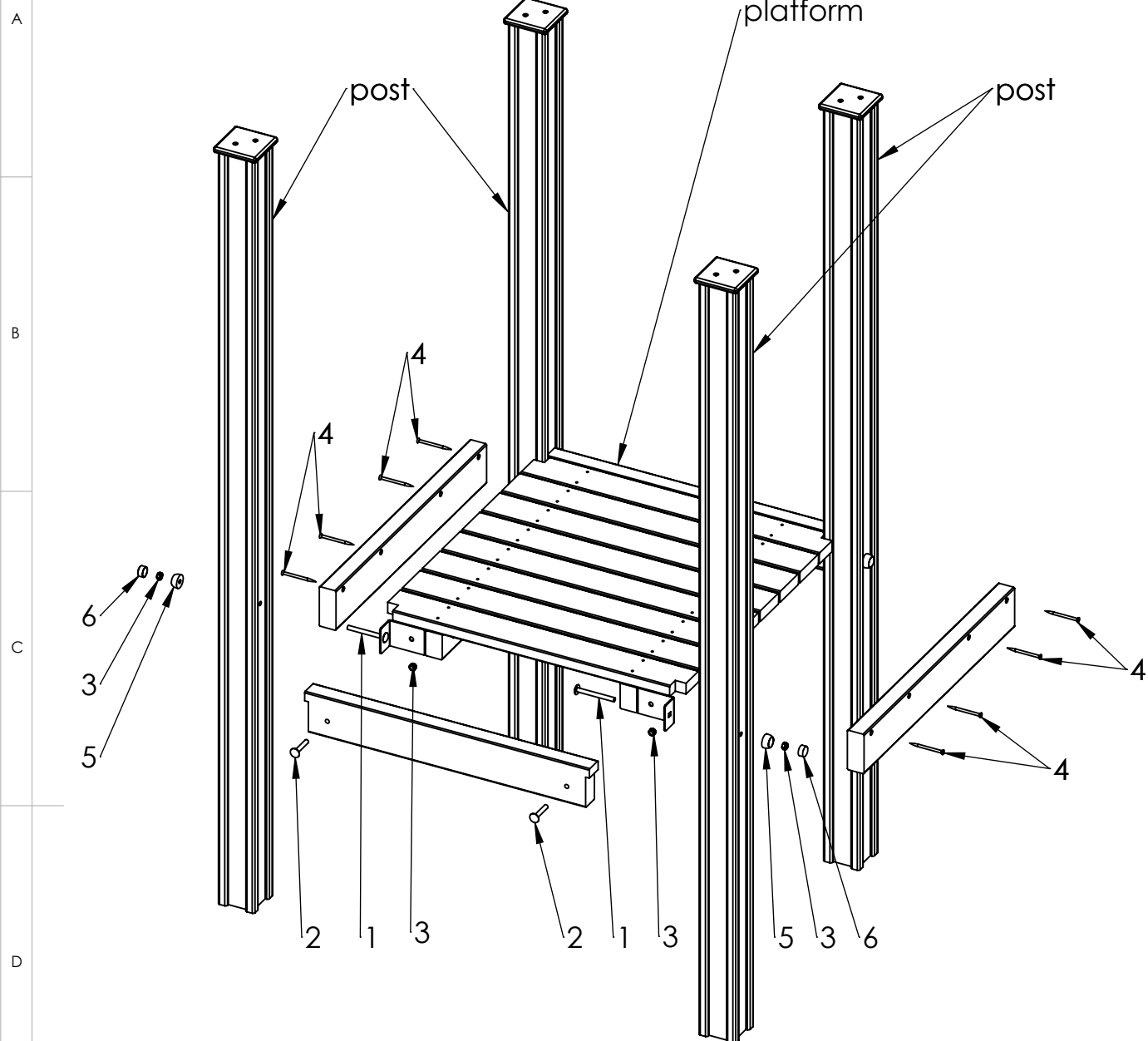
wood, metal, plastic

A4

WEIGHT:

SCALE: 1:8

SHEET 7 OF 17



E

ITEM NO.	PART NUMBER
1	bolt DIN603 M10x100
2	bolt DIN603 M10x60
3	nut DIN985 M10
4	woodscrew 6 x 90
5	nut cover M10
6	nut cover cap M10

F

UNLESS OTHERWISE SPECIFIED:  
DIMENSIONS ARE IN MILLIMETERS  
WEIGHT ARE IN KILOGRAMM

	NAME	SIGNATURE	DATE	REVISION
DRAWN	M.Rebase		02.07.2015	
APPV'D				

PART NUMBER / DWG NO.:

LM208-1

DESCRIPTION:

Play centre ALEXANDRA  
connecting platform to post

MATERIAL:

wood, metal, plastic

A4

WEIGHT:

SCALE: 1:15

SHEET 8 OF 17



**Tiptaptap** OÜ

Tiptaptap OÜ  
Veetorni 9,  
Jüri alevik, Rae vald,  
75301 Harjumaa



A

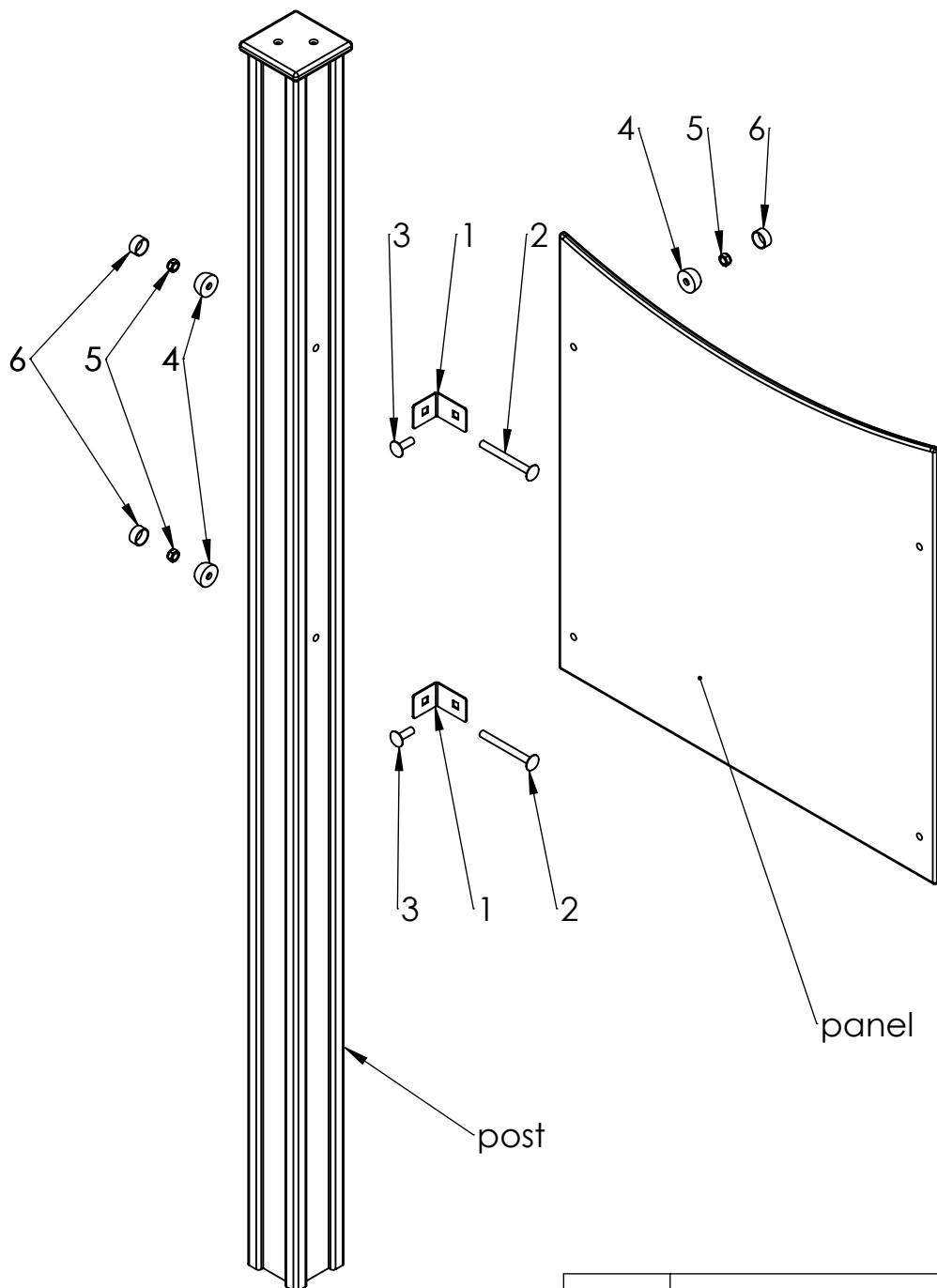
B

C

D

E

F



ITEM NO.	PART NUMBER
1	corner 48x60
2	bolt DIN603 M10x100
3	bolt DIN603 M10x30
4	nut cover M10
5	nut DIN985 M10
6	nut cover cap M10

UNLESS OTHERWISE SPECIFIED:  
DIMENSIONS ARE IN MILLIMETERS  
WEIGHT ARE IN KILOGRAMM

PART NUMBER / DWG NO.:

LM208-1

	NAME	SIGNATURE	DATE	REVISION
DRAWN	M.Rebase		02.07.2015	
APPV'D				

DESCRIPTION:

Play centre ALEXANDRA  
connecting panel to post

MATERIAL:

wood, metal, plastic

A4

WEIGHT:

SCALE: 1:10

SHEET 9 OF 17



**Tiptap** OÜ

Tiptap OÜ  
Veetorni 9,  
Jüri alevik, Rae vald,  
75301 Harjumaa

A

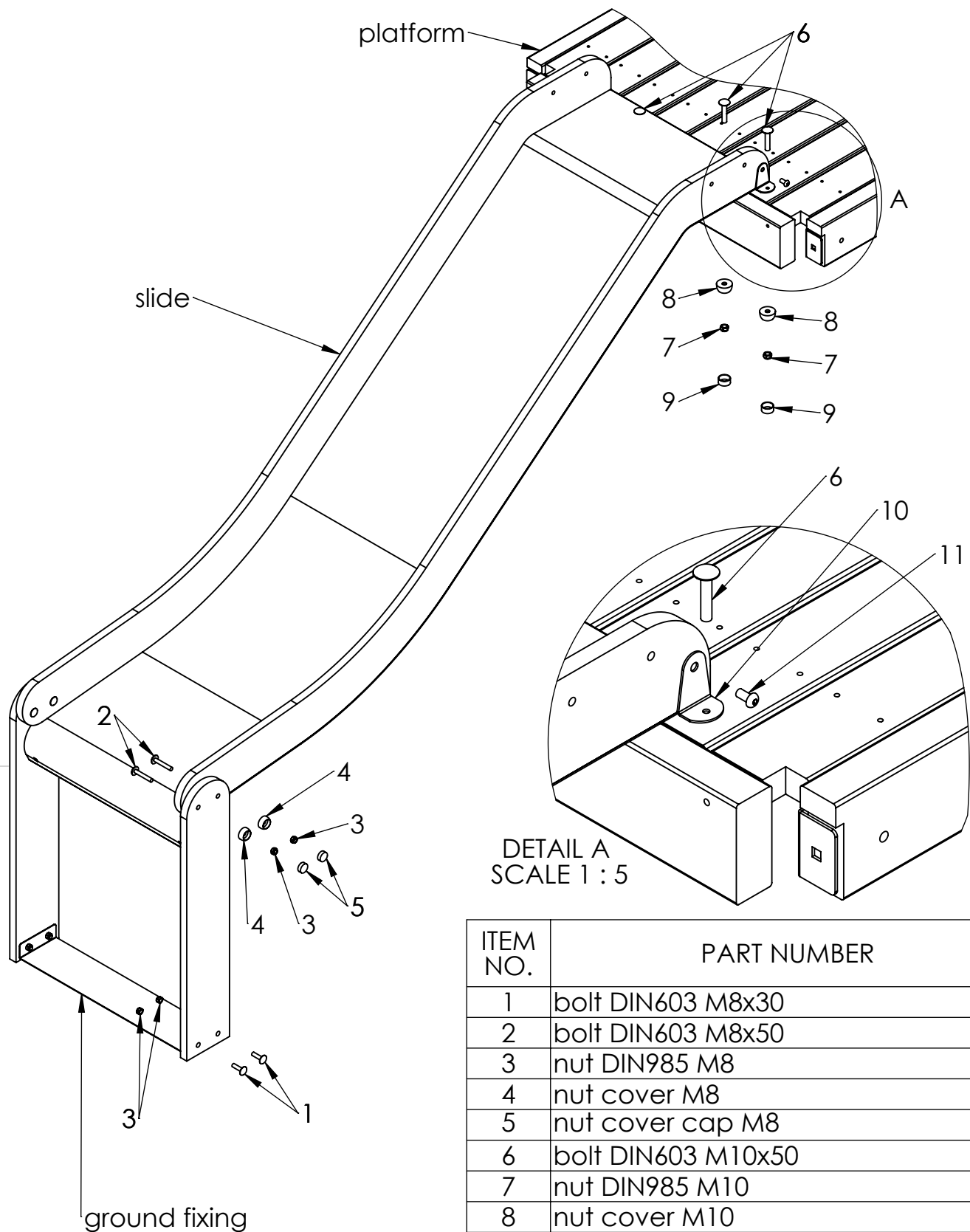
B

C

D

E

F



DETAIL A  
SCALE 1 : 5

ITEM NO.	PART NUMBER
1	bolt DIN603 M8x30
2	bolt DIN603 M8x50
3	nut DIN985 M8
4	nut cover M8
5	nut cover cap M8
6	bolt DIN603 M10x50
7	nut DIN985 M10
8	nut cover M10
9	nut cover cap M10
10	corner 58x30
11	metal screw DIN 7380 M8x16

UNLESS OTHERWISE SPECIFIED:  
DIMENSIONS ARE IN MILLIMETERS  
WEIGHT ARE IN KILOGRAMM

	NAME	SIGNATURE	DATE	REVISION
DRAWN	M.Rebase		02.07.2015	
APPV'D				

PART NUMBER / DWG NO.:

LM208-1

DESCRIPTION:

Play centre ALEXANDRA  
connecting slide to platform

MATERIAL:

wood, metal, plastic

A4

WEIGHT:

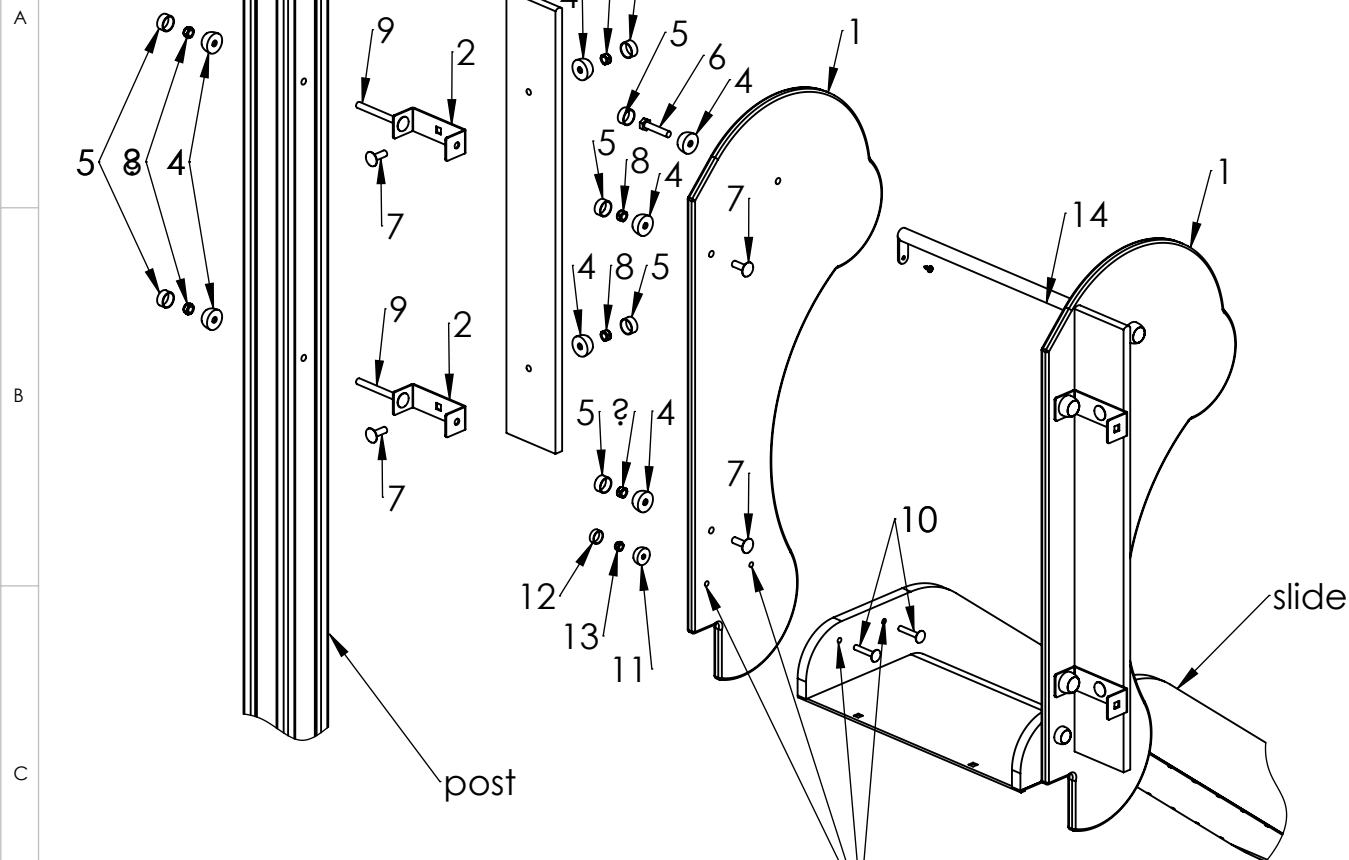
SCALE: 1:12

SHEET 10 OF 17



**Tiptap** OÜ

Tiptap OÜ  
Veetorni 9,  
Jüri alevik, Rae vald,  
75301 Harjumaa



It is important to drill 8,5mm holes through side panel and slide.

ITEM NO.	PART NUMBER
1	slide side panel
2	slide side panel fixing 40x120
3	side panel 110x780
4	nut cover M10
5	nut cover cap M10
6	bolt DIN931 M10x50
7	bolt DIN603 M10x30
8	nut DIN985 M10
9	bolt DIN603 M10x100
10	bolt DIN603 M8x45
11	nut cover M8
12	nut cover cap M8
13	nut DIN985 M8
14	slide guardrail
15	wood screw 4,8x13

UNLESS OTHERWISE SPECIFIED:  
DIMENSIONS ARE IN MILLIMETERS  
WEIGHT ARE IN KILOGRAMM

PART NUMBER / DWG NO.:

LM208-1

	NAME	SIGNATURE	DATE	REVISION
DRAWN	M.Rebase		02.07.2015	
APPV'D				

DESCRIPTION:

Play centre ALEXANDRA  
connecting slide guard block to post

MATERIAL:

wood, metal, plastic

A4

WEIGHT:

SCALE: 1:12

SHEET 11 OF 17



**Tiptap** OÜ

Tiptap OÜ  
Veetorni 9,  
Jüri alevik, Rae vald,  
75301 Harjumaa

A

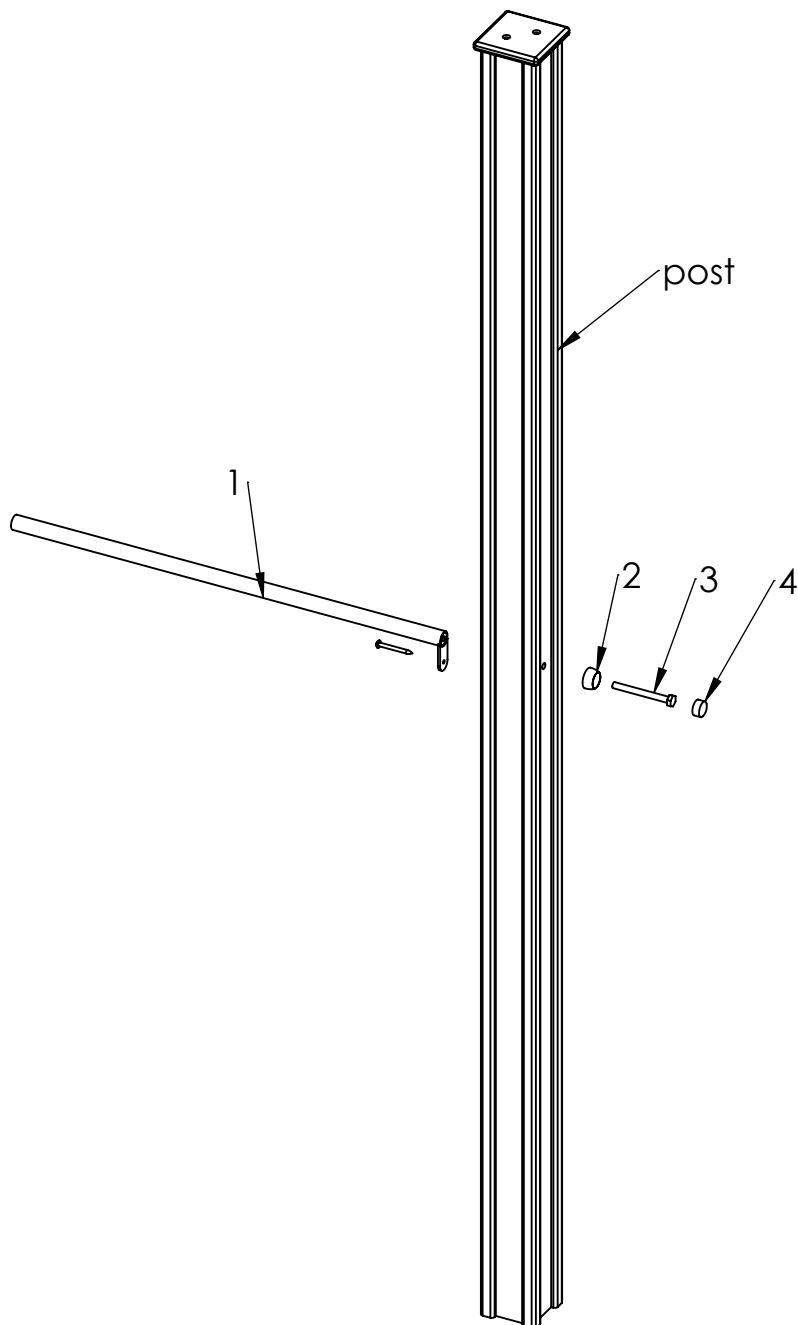
B

C

D

E

F



ITEM NO.	PART NUMBER
1	guardrail $\phi$ 25x770
2	nut cover M10
3	bolt DIN931 M10x100
4	nut cover cap M10
5	screw DIN7996 6x60

UNLESS OTHERWISE SPECIFIED:  
DIMENSIONS ARE IN MILLIMETERS  
WEIGHT ARE IN KILOGRAMM

	NAME	SIGNATURE	DATE	REVISION
DRAWN	M.Rebase		02.07.2015	
APPV'D				

PART NUMBER / DWG NO.:

LM208-1  
connecting guardrail to post

DESCRIPTION:

Play centre ALEXANDRA

MATERIAL:

wood, metal, plastic

A4

WEIGHT:

SCALE: 1:12

SHEET 12 OF 17



**Tiptaptap** OÜ

Tiptaptap OÜ  
Veetorni 9,  
Jüri alevik, Rae vald,  
75301 Harjumaa

A

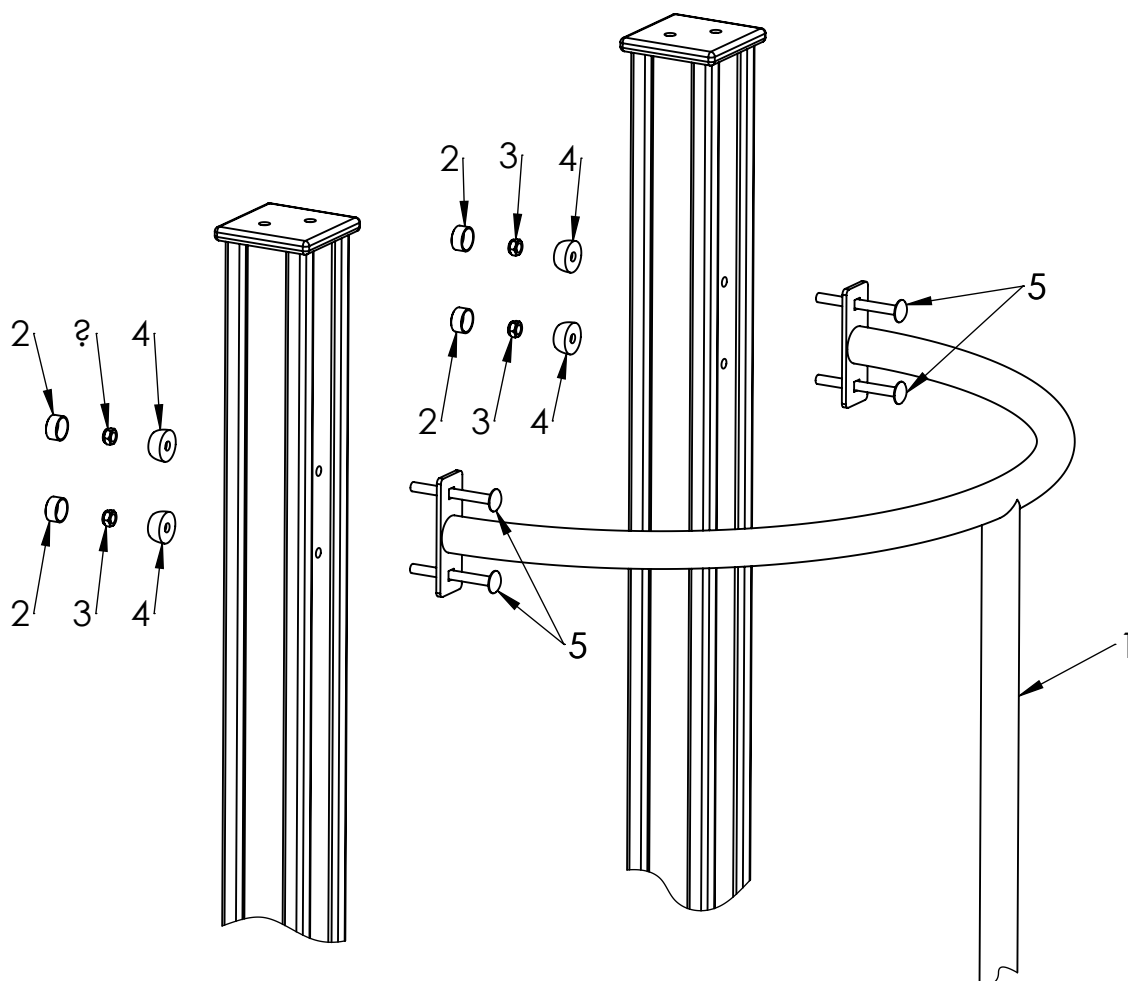
B

C

D

E

F



ITEM NO.	PART NUMBER
1	climbing pole
2	nut cover cap M10
3	nut DIN985 M10
4	nut cover M10
5	bolt DIN603 M10x100

UNLESS OTHERWISE SPECIFIED:  
DIMENSIONS ARE IN MILLIMETERS  
WEIGHT ARE IN KILOGRAMM

PART NUMBER / DWG NO.:

LM208-1

	NAME	SIGNATURE	DATE	REVISION
DRAWN	M.Rebase		02.07.2015	
APPV'D				

DESCRIPTION:

Play centre ALEXANDRA  
connecting climbing pole to post

MATERIAL:

wood, metal, plastic

A4

WEIGHT:

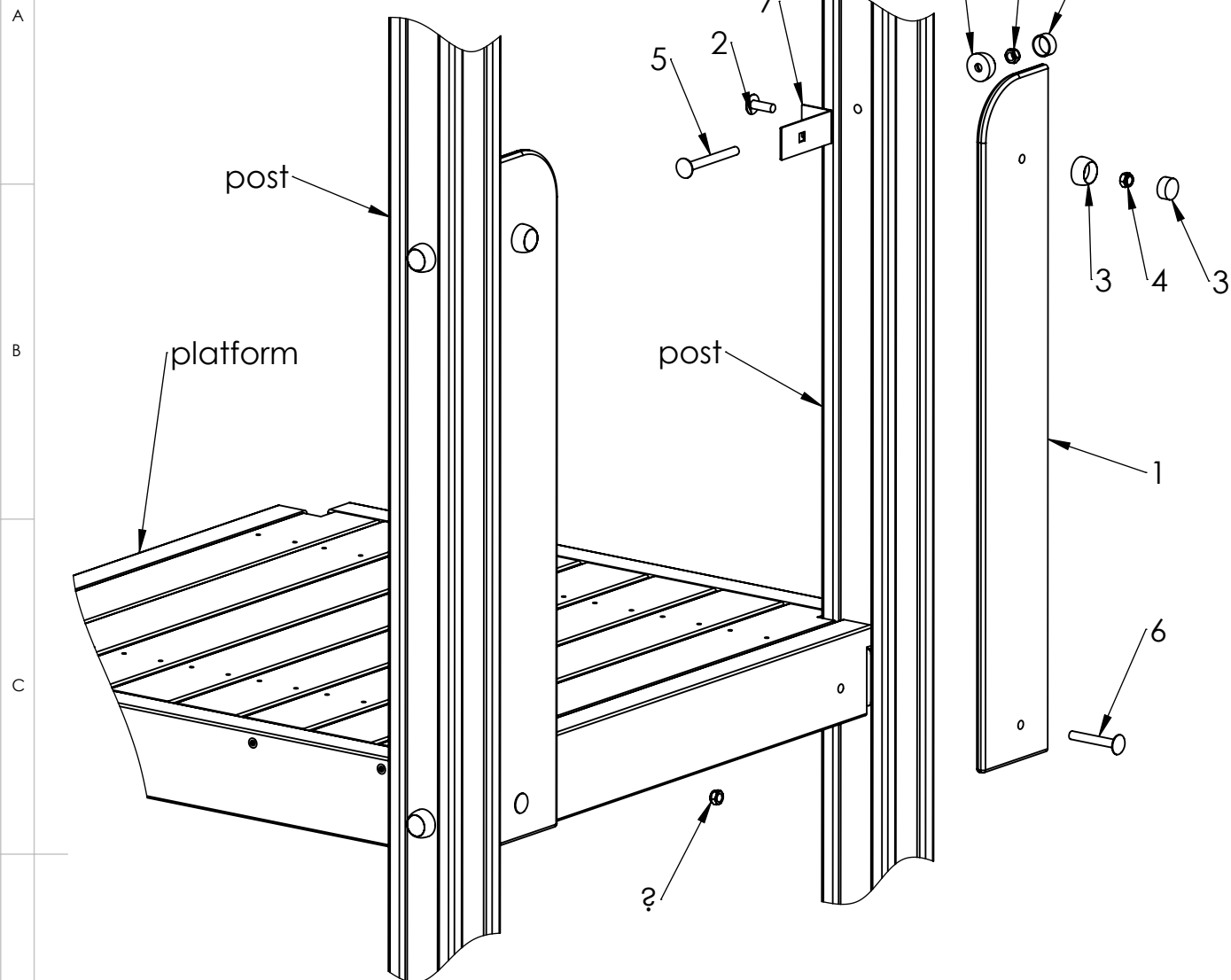
SCALE: 1:8

SHEET 13 OF 17



**Tiptap** OÜ

Tiptap OÜ  
Veetorni 9,  
Jüri alevik, Rae vald,  
75301 Harjumaa



ITEM NO.	PART NUMBER
1	panel 850x126
2	bolt DIN603 M10x30
3	nut cover with cap
4	nut DIN985 M10
5	bolt DIN603 M10x100
6	bolt DIN603 M10x70
7	slide side panel fixing 40x100

UNLESS OTHERWISE SPECIFIED:  
DIMENSIONS ARE IN MILLIMETERS  
WEIGHT ARE IN KILOGRAMM

PART NUMBER / DWG NO.:

LM208-1

	NAME	SIGNATURE	DATE	REVISION
DRAWN	M.Rebase		02.07.2015	
APPV'D				

DESCRIPTION:

Play centre ALEXANDRA  
connecting climbing pole side panels

MATERIAL:

wood, metal, plastic

A4

WEIGHT:

SCALE: 1:8

SHEET 14 OF 17



**Tiptaptap** OÜ

Tiptaptap OÜ  
Veetorni 9,  
Jüri alevik, Rae vald,  
75301 Harjumaa

A

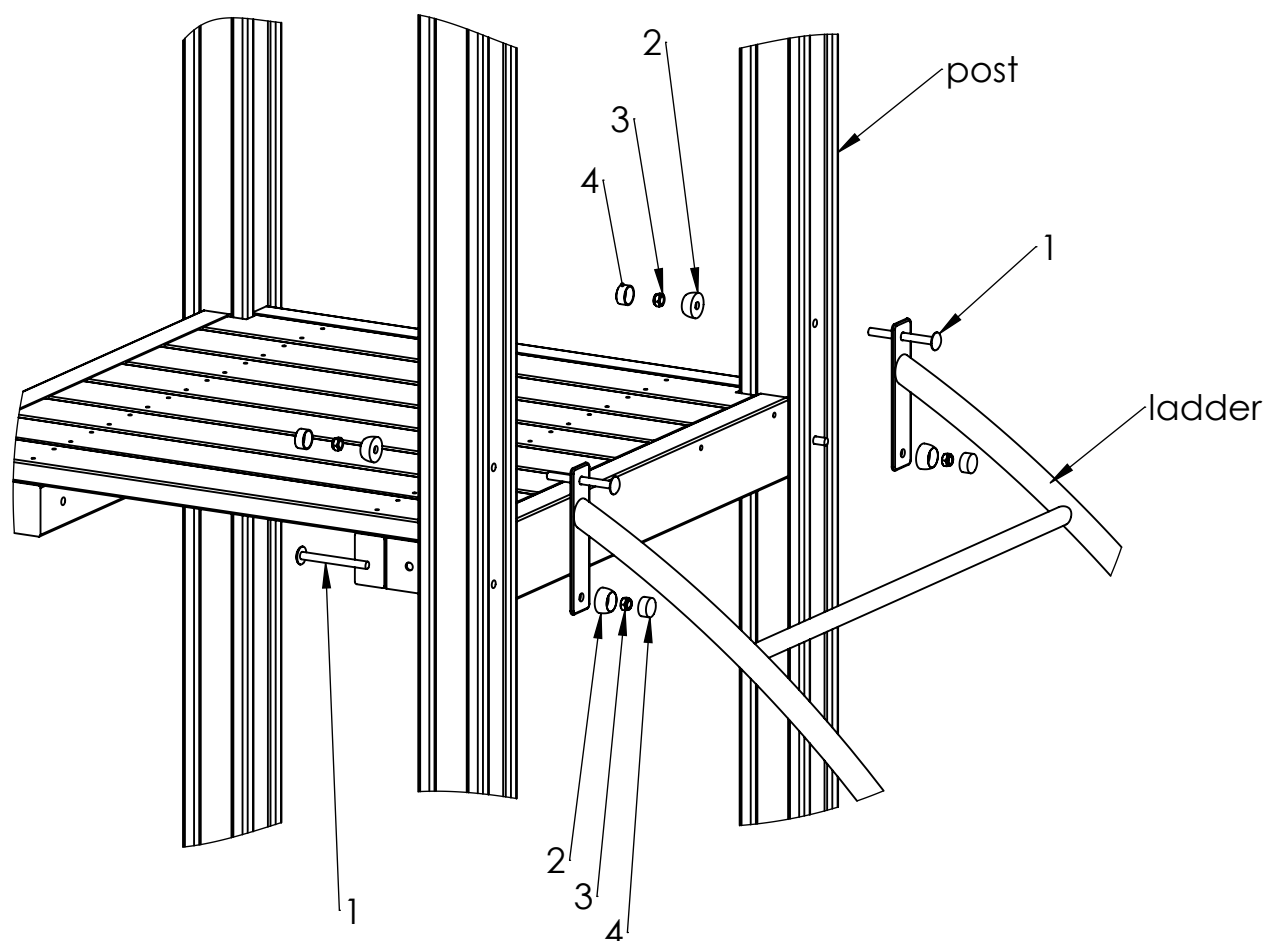
B

C

D

E

F



ITEM NO.	ITEM NAME
1	bolt DIN603 M10x100
2	nut cover
3	nut DIN 985 NYLOC M10
4	nut cover cap

UNLESS OTHERWISE SPECIFIED:  
DIMENSIONS ARE IN MILLIMETERS  
WEIGHT ARE IN KILOGRAMM

PART NUMBER / DWG NO.:

LM208-1

	NAME	SIGNATURE	DATE	REVISION
DRAWN	M.Rebase		02.07.2015	
APPV'D				

DESCRIPTION:

Play centre ALEXANDRA  
connecting arch ladder to post

MATERIAL:

wood, metal, plastic

A4

WEIGHT:

SCALE: 1:10

SHEET 15 OF 17



**Tiptaptap** OÜ

Tiptaptap OÜ  
Veetorni 9,  
Jüri alevik, Rae vald,  
75301 Harjumaa

A

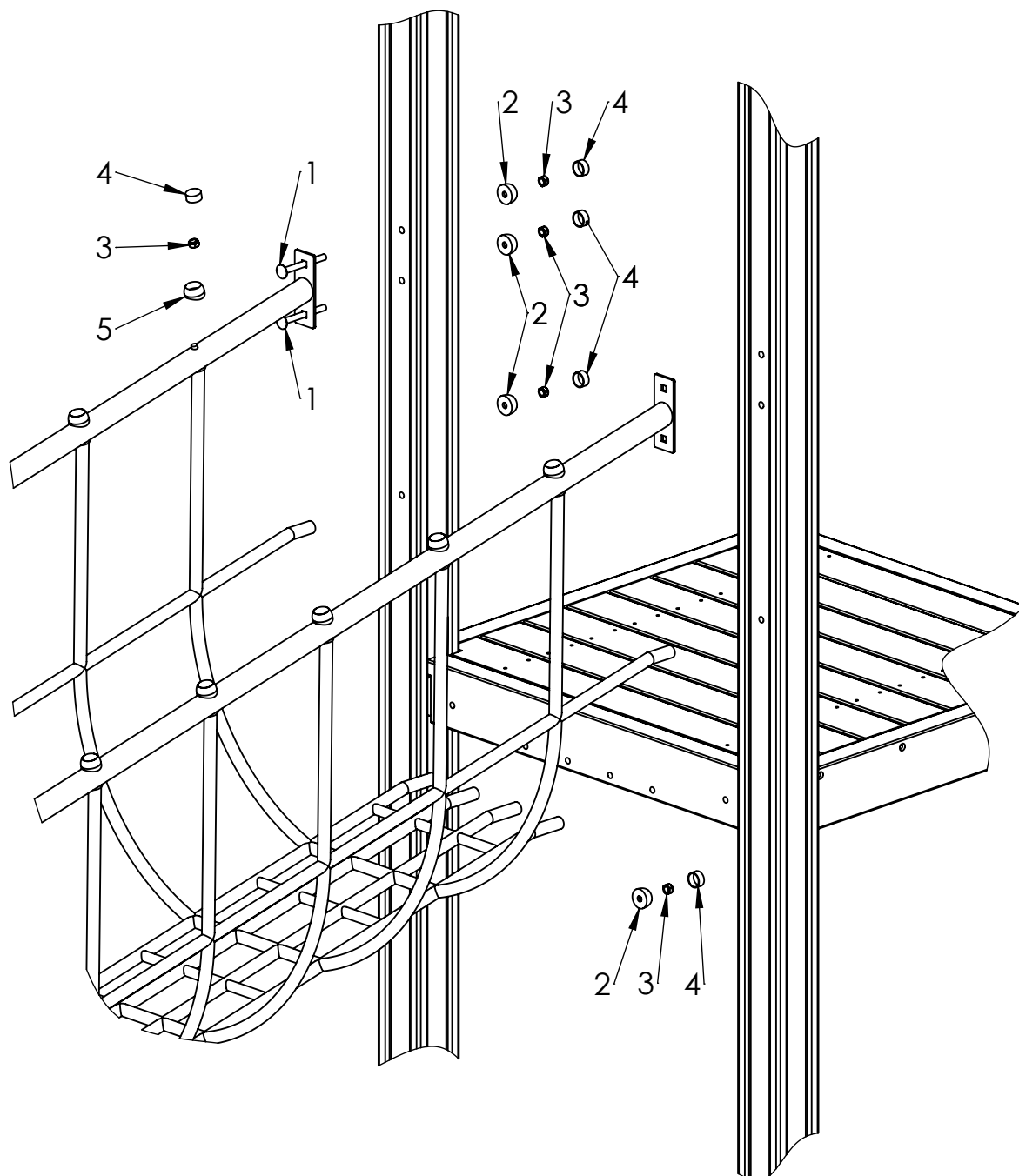
B

C

D

E

F



ITEM NO.	PART NUMBER
1	bolt DIN603 M10x100
2	nut cover M10
3	nut DIN985 M10
4	nut cover cap M10
5	nut cover for beam M10

UNLESS OTHERWISE SPECIFIED:  
DIMENSIONS ARE IN MILLIMETERS  
WEIGHT ARE IN KILOGRAMM

PART NUMBER / DWG NO.:

LM208-1

	NAME	SIGNATURE	DATE	REVISION
DRAWN	M.Rebase		02.07.2015	
APPV'D				

DESCRIPTION:

Play centre ALEXANDRA  
connecting bridge to post and platform

MATERIAL:

wood, metal, plastic

A4

WEIGHT:

SCALE: 1:11

SHEET 16 OF 17



**Tiptaptap** OÜ

Tiptaptap OÜ  
Veetorni 9,  
Jüri alevik, Rae vald,  
75301 Harjumaa



A

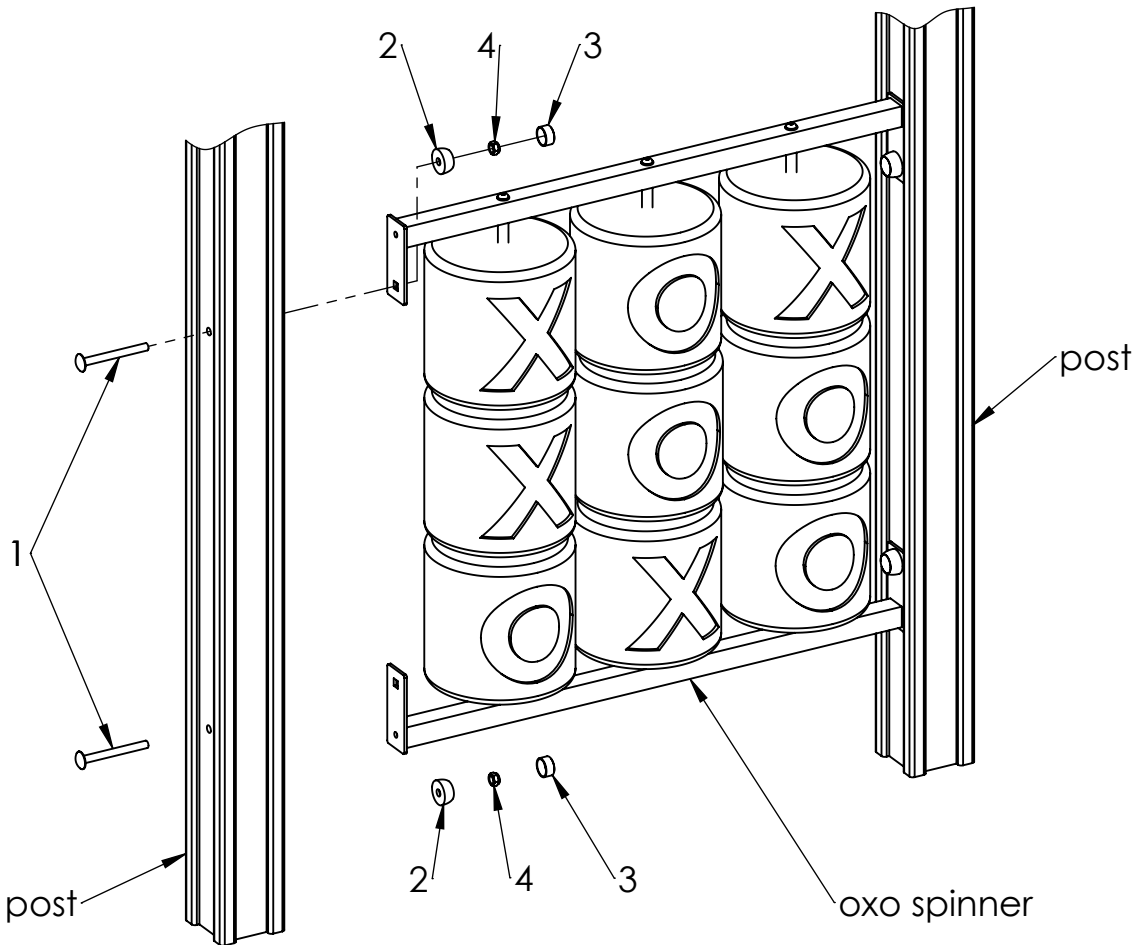
B

C

D

E

F



ITEM NO.	PART NUMBER
1	bolt DIN603 M10x100
2	nut cover M10
3	nut cover cap M10
4	nut DIN985 M10

UNLESS OTHERWISE SPECIFIED: DIMENSIONS ARE IN MILLIMETERS WEIGHT ARE IN KILOGRAMM				
	NAME	SIGNATURE	DATE	REVISION
DRAWN	M.Rebase		02.07.2015	
APPV'D				

PART NUMBER / DWG NO.:	LM208-1
DESCRIPTION:	Play centre ALEXANDRA connecting oxo spinner to post



**Tiptaptap** OÜ  
 Veetorni 9,  
 Jüri alevik, Rae vald,  
 75301 Harjumaa

MATERIAL:	wood, metal, plastic	A4
WEIGHT:	SCALE: 1:10	SHEET 17 OF 17