

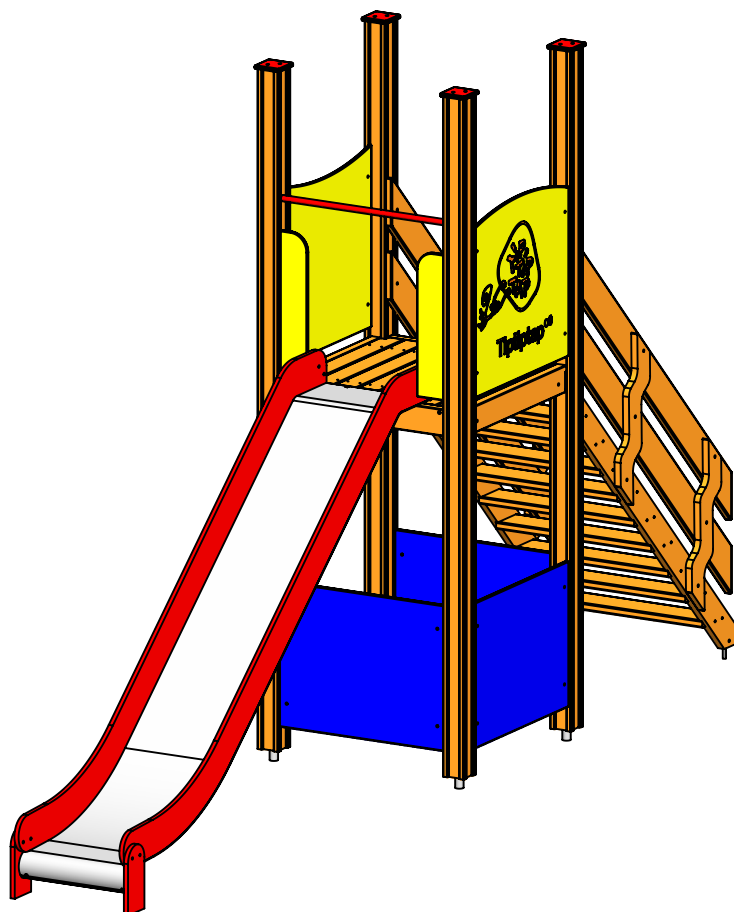
A

B

C

D

E



UNLESS OTHERWISE SPECIFIED:  
DIMENSIONS ARE IN MILLIMETERS  
WEIGHT ARE IN KILOGRAMM

PART NUMBER / DWG NO.:

LM207S

	NAME	SIGNATURE	DATE	REVISION
DRAWN	M.Rebase		03.06.2014	
APPV'D				

DESCRIPTION:

Slide EVE

F



**Tiptap** OÜ

Tiptap OÜ  
Veetorni 9,  
Jüri alevik, Rae vald,  
75301 Harjumaa

MATERIAL:

wood, metal, plastic

A4

WEIGHT:

SCALE: 1:30

SHEET 1 OF 12

# safety area

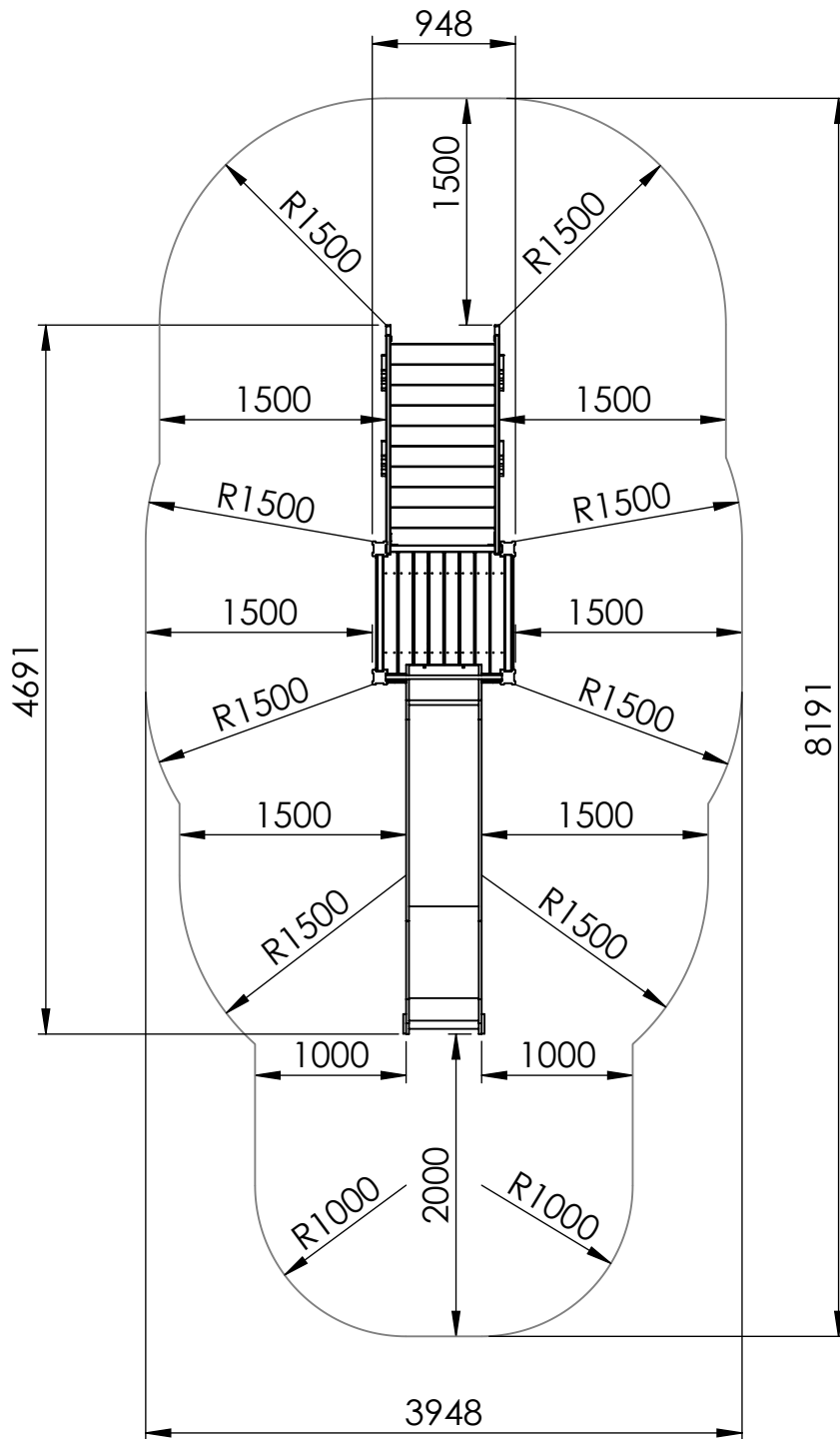
A

B

C

D

E



UNLESS OTHERWISE SPECIFIED:  
DIMENSIONS ARE IN MILLIMETERS  
WEIGHT ARE IN KILOGRAMM

PART NUMBER / DWG NO.:

LM207S

	NAME	SIGNATURE	DATE	REVISION
DRAWN	M.Rebase		03.06.2014	
APPV'D				

DESCRIPTION:

Slide EVE

F



**Tiptaptap** OÜ

Tiptaptap OÜ  
Veetorni 9,  
Jüri alevik, Rae vald,  
75301 Harjumaa

MATERIAL:

wood, metal, plastic

A4

WEIGHT:

SCALE: 1:30

SHEET 2 OF 12

# foundation

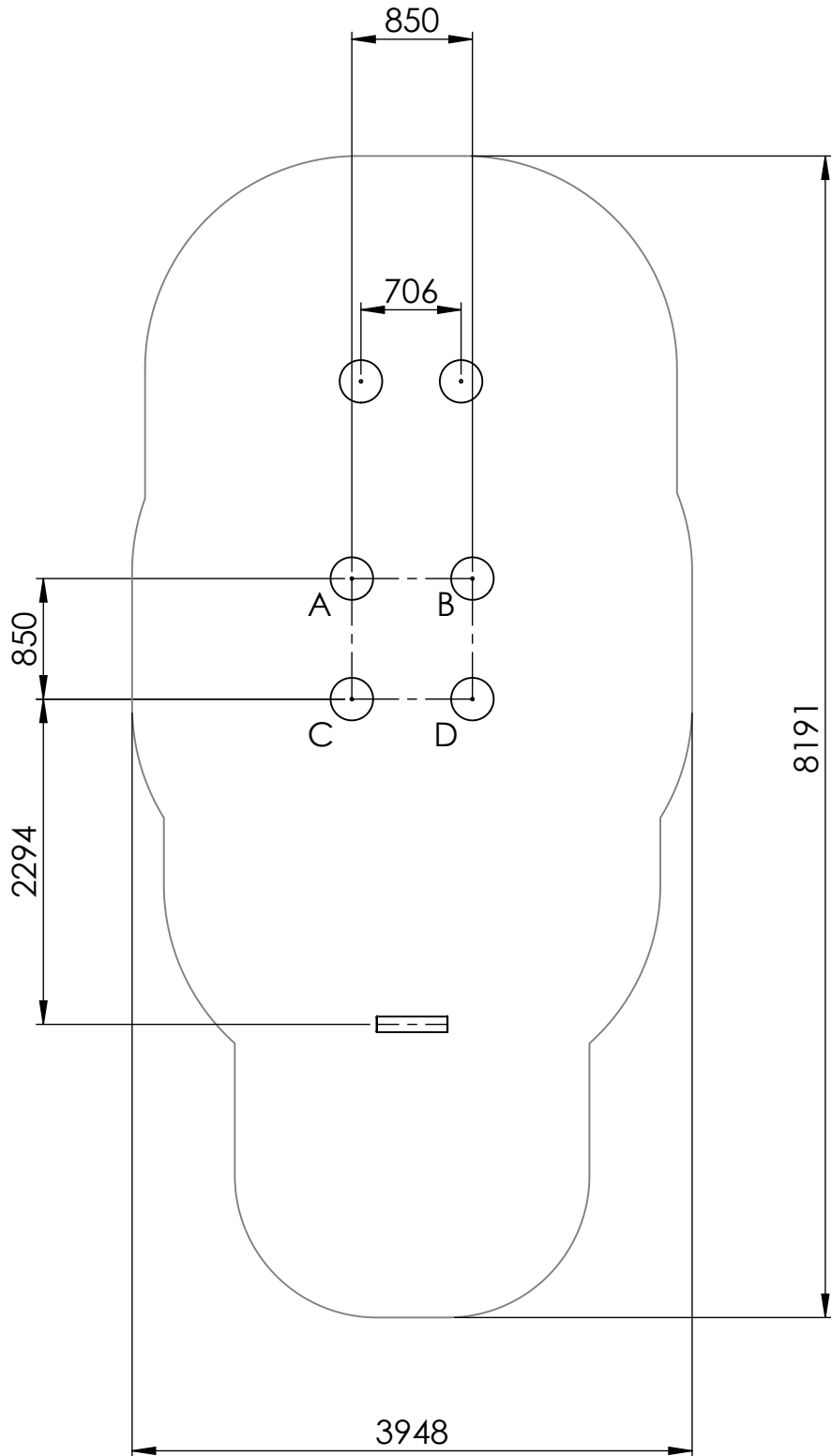
A

B

C

D

E



depth of foundation 500mm

UNLESS OTHERWISE SPECIFIED:  
DIMENSIONS ARE IN MILLIMETERS  
WEIGHT ARE IN KILOGRAMM

PART NUMBER / DWG NO.:

LM207S

	NAME	SIGNATURE	DATE	REVISION
DRAWN	M.Rebase		03.06.2014	
APPV'D				

DESCRIPTION:

Slide EVE



**Tiptap** OÜ

Tiptap OÜ  
Veetorni 9,  
Jüri alevik, Rae vald,  
75301 Harjumaa

MATERIAL:

wood, metal, plastic

A4

WEIGHT:

SCALE: 1:30

SHEET 3 OF 12

A

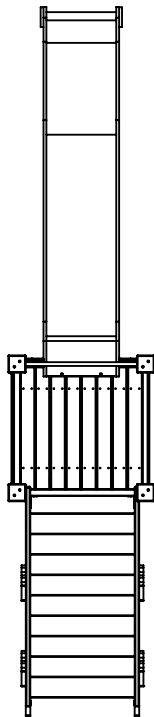
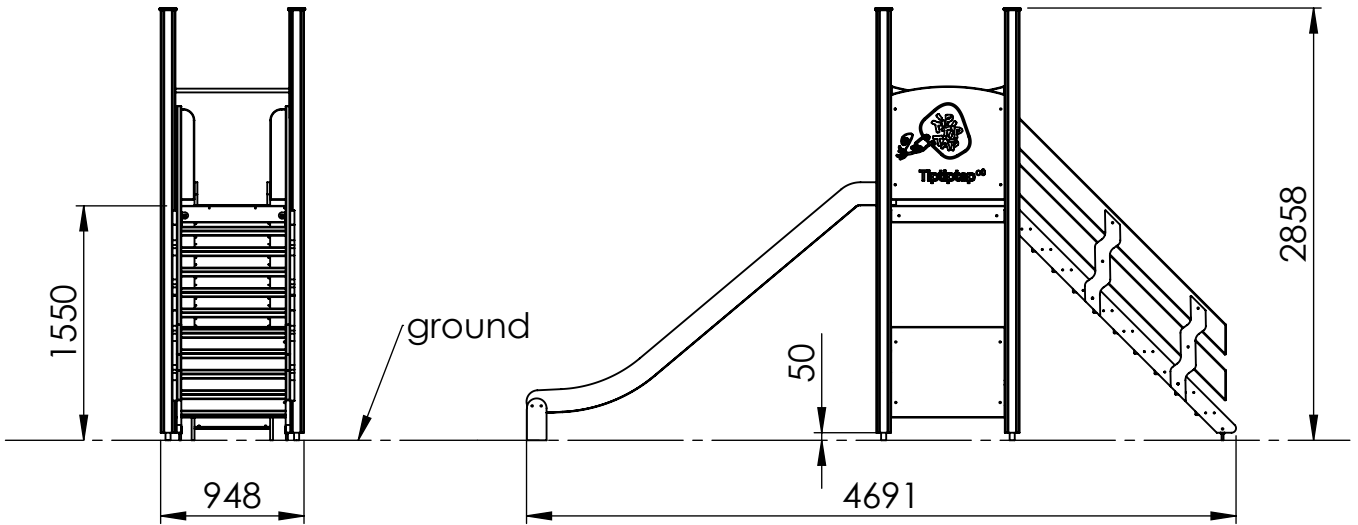
B

C

D

E

F



UNLESS OTHERWISE SPECIFIED:  
 DIMENSIONS ARE IN MILLIMETERS  
 WEIGHT ARE IN KILOGRAMM

PART NUMBER / DWG NO.:

LM207S

	NAME	SIGNATURE	DATE	REVISION
DRAWN	M.Rebase		03.06.2014	
APPV'D				

DESCRIPTION:

Slide EVE



**Tiptap** OÜ

Tiptap OÜ  
 Veetorni 9,  
 Jüri alevik, Rae vald,  
 75301 Harjumaa

MATERIAL:

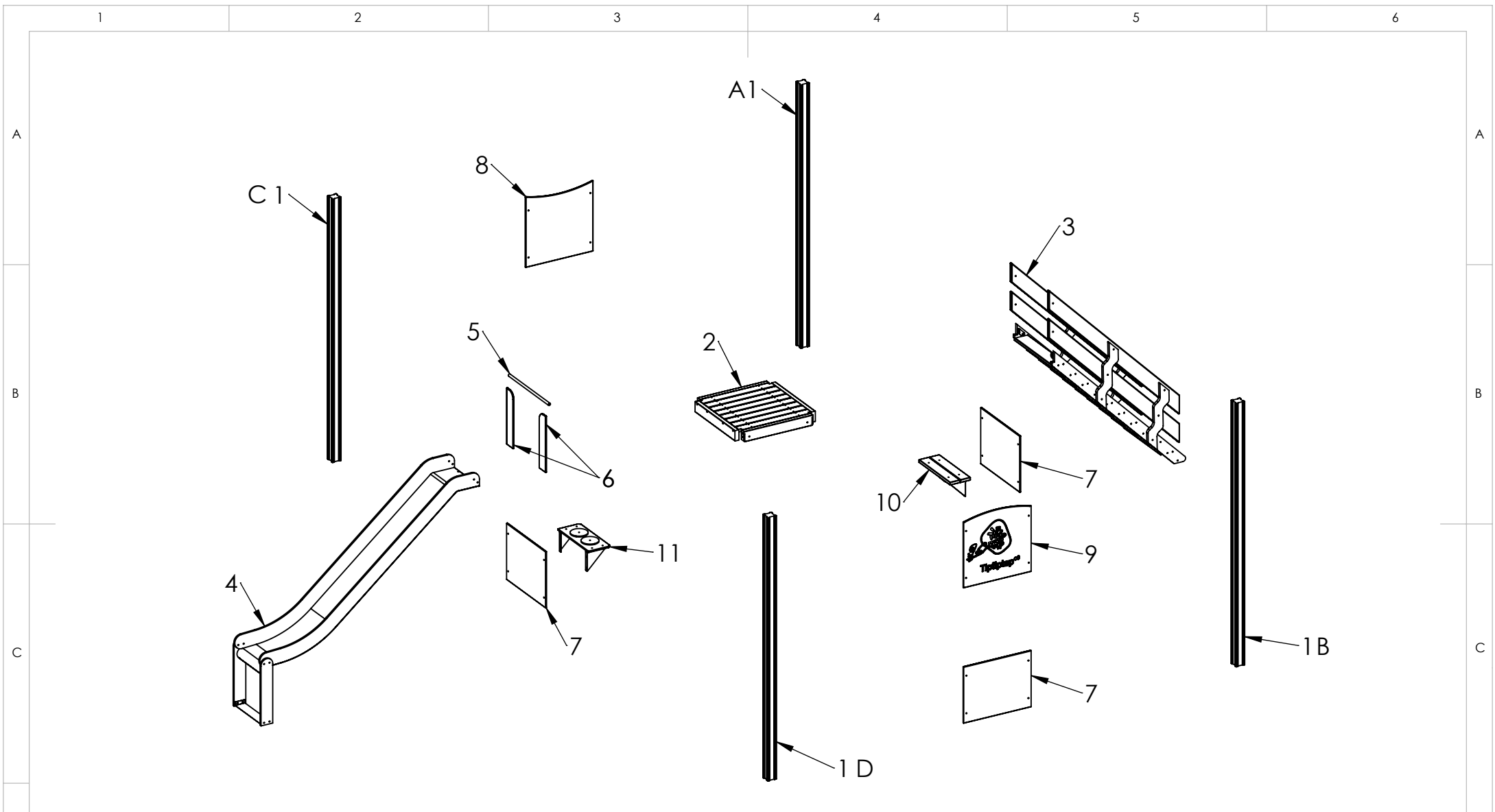
wood, metal, plastic


A4

WEIGHT:

SCALE: 1:50


SHEET 4 OF 12



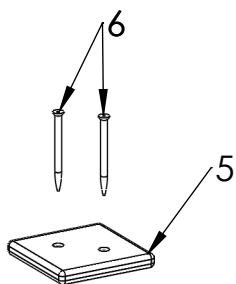
UNLESS OTHERWISE SPECIFIED: DIMENSIONS ARE IN MILLIMETERS WEIGHT ARE IN KILOGRAMM					PART NUMBER / DWG NO.: <b>LM207S</b>	
	NAME	SIGNATURE	DATE	REVISION	DESCRIPTION: <b>Slide EVE</b>	
DRAWN	M.Rebase		03.06.2014		MATERIAL: wood, metal, plastic	
APPV'D					A4	
 <b>Tiptap</b> OÜ Tiptap OÜ Veetorni 9, Jüri alevik, Rae vald, 75301 Harjumaa					WEIGHT:	
					SCALE: 1:50	
					SHEET 5 OF 12	

ITEM NO.	PART NUMBER	DESCRIPTION	QTY.
1	post 98x98x2800	laminated wood	4
2	platform	laminated wood, metal	1
3	stairs	laminated wood	1
4	slide h_1550	stainless steel, PE plastic	1
5	guardrail $\phi$ 25x770	painted steel	1
6	panel 125x600	plywood	2
7	panel 750x600	plywood	3
8	panel 750x750	plywood	1
9	panel 750x750 with logo	plywood	1
10	playcorner-bench	laminated wood, plastic	1
11	playcorner-kitchen	plywood, plastic	1

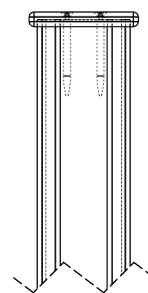
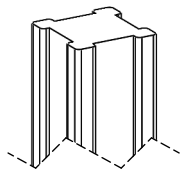


UNLESS OTHERWISE SPECIFIED: DIMENSIONS ARE IN MILLIMETERS WEIGHT ARE IN KILOGRAMM				PART NUMBER / DWG NO.: <b>LM207S</b>	
	NAME	SIGNATURE	DATE	REVISION	DESCRIPTION: <b>Slide EVE</b>
DRAWN	M.Rebase		03.06.2014		
APPV'D					
 <b>Tiptiptap</b> OÜ Tiptiptap OÜ Veetorni 9, Jüri alevik, Rae vald, 75301 Harjumaa				MATERIAL: wood, metal, plastic	
				WEIGHT:	A4
				SCALE: 1:50	SHEET 6 OF 12

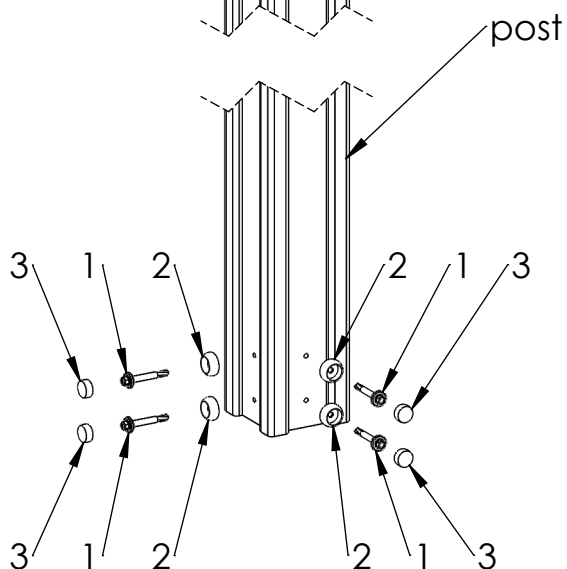
A



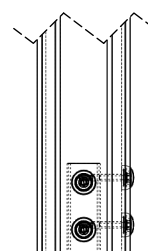
B



C

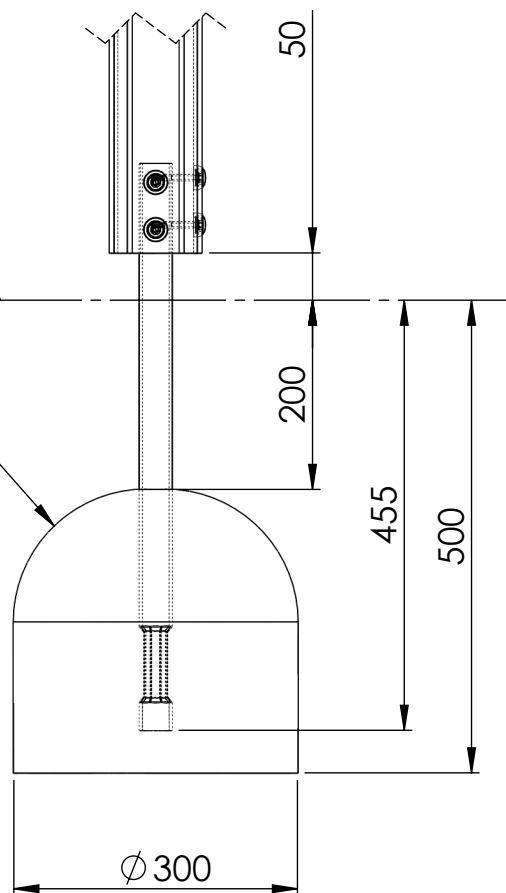
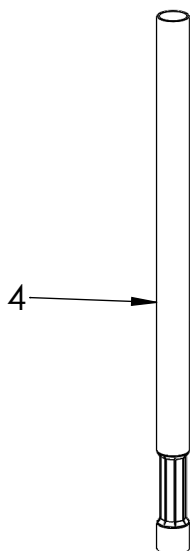


ground



concrete

D



E

ITEM NO.	PART NUMBER
1	screw DIN7504K 5,5x50
2	nut cover M6
3	nut cover cap M6
4	metal ground fixing L_600
5	plastic cap 115x115
6	woodscrew 6 x 90

UNLESS OTHERWISE SPECIFIED:  
DIMENSIONS ARE IN MILLIMETERS  
WEIGHT ARE IN KILOGRAMM

PART NUMBER / DWG NO.:

LM207S

NAME	SIGNATURE	DATE	REVISION
DRAWN M.Rebase		03.06.2014	
APPV'D			

DESCRIPTION:

Slide EVE  
connecting metal ground fixing to post

F



**Tiptiptap** OÜ

Tiptiptap OÜ  
Veetorni 9,  
Jüri alevik, Rae vald,  
75301 Harjumaa

MATERIAL:

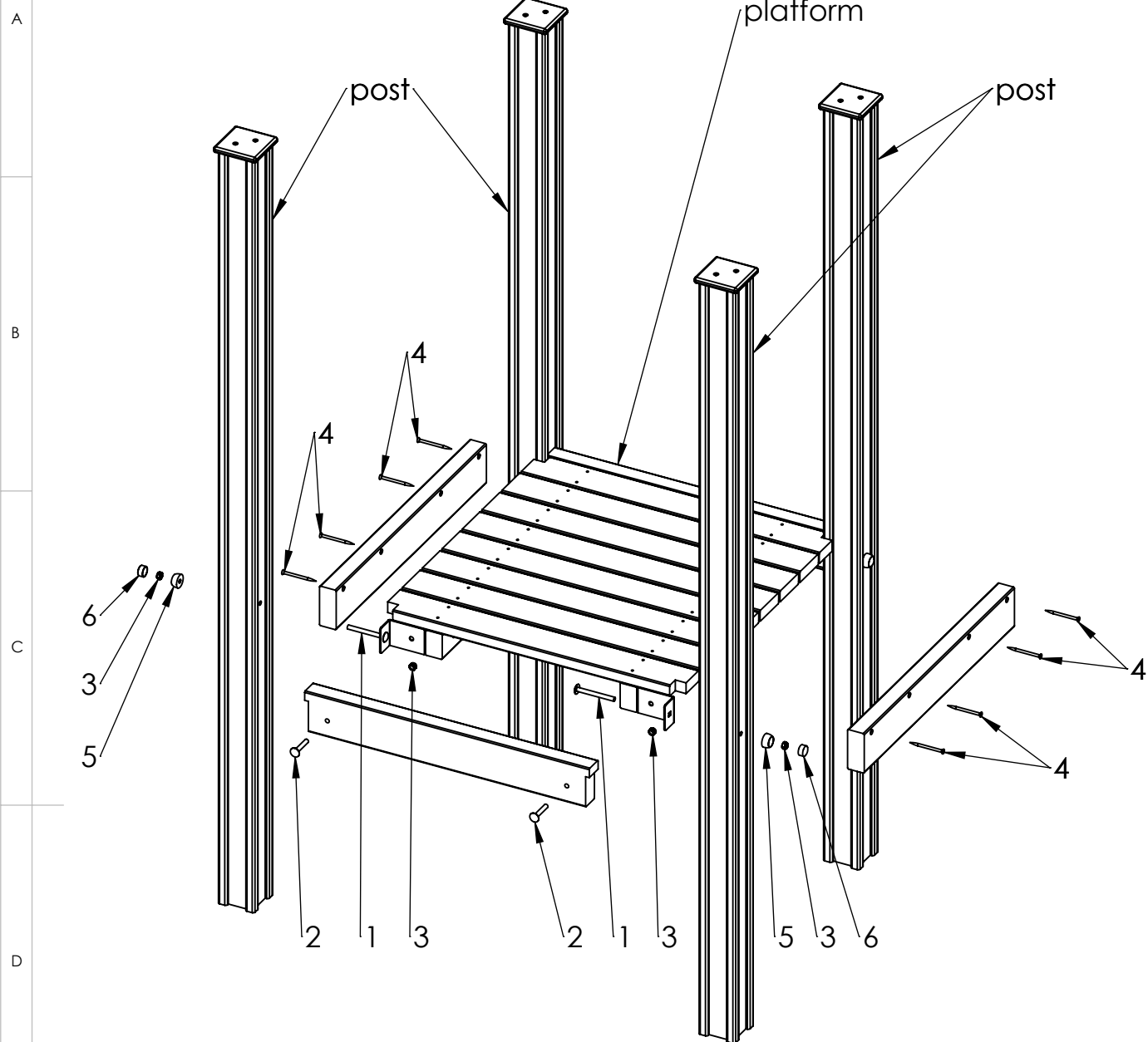
wood, metal, plastic

A4

WEIGHT:

SCALE: 1:8

SHEET 7 OF 12



ITEM NO.	PART NUMBER
1	bolt DIN603 M10x100
2	bolt DIN603 M10x60
3	nut DIN985 M10
4	woodscrew 6 x 90
5	nut cover M10
6	nut cover cap M10

UNLESS OTHERWISE SPECIFIED:  
DIMENSIONS ARE IN MILLIMETERS  
WEIGHT ARE IN KILOGRAMM

PART NUMBER / DWG NO.:

LM207S

	NAME	SIGNATURE	DATE	REVISION
DRAWN	M.Rebase		03.06.2014	
APPV'D				

DESCRIPTION:

Slide EVE  
connecting platform to post

MATERIAL:

wood, metal, plastic

A4

WEIGHT:

SCALE: 1:15

SHEET 8 OF 12



**Tiptaptap** OÜ

Tiptaptap OÜ  
Veetorni 9,  
Jüri alevik, Rae vald,  
75301 Harjumaa



A

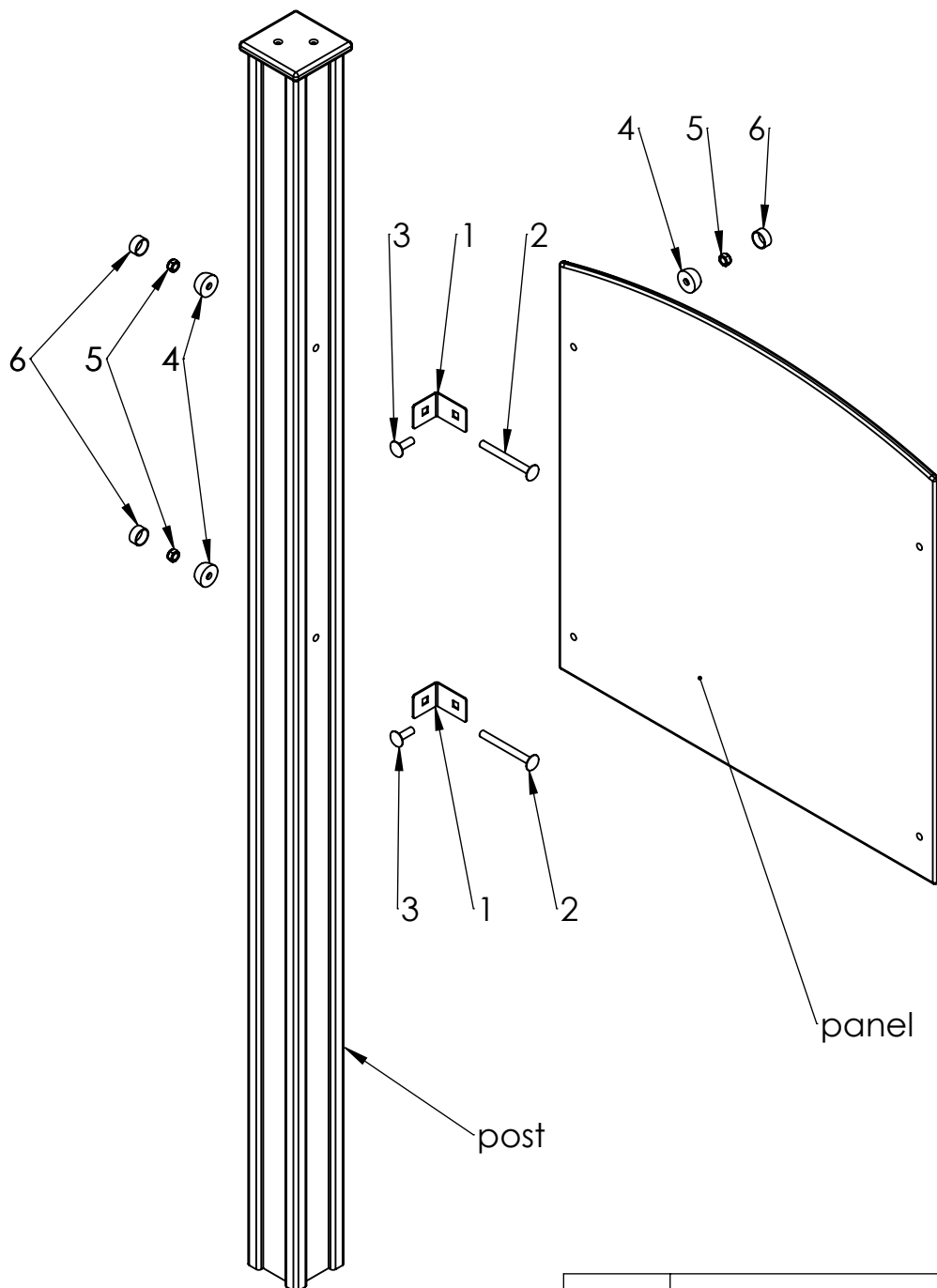
B

C

D

E

F



ITEM NO.	PART NUMBER
1	corner 48x60
2	bolt DIN603 M10x100
3	bolt DIN603 M10x30
4	nut cover M10
5	nut DIN985 M10
6	nut cover cap M10

UNLESS OTHERWISE SPECIFIED:  
DIMENSIONS ARE IN MILLIMETERS  
WEIGHT ARE IN KILOGRAMM

PART NUMBER / DWG NO.:

LM207S

	NAME	SIGNATURE	DATE	REVISION
DRAWN	M.Rebase		03.06.2014	
APPV'D				

DESCRIPTION:

Slide EVE  
connecting panel to post

MATERIAL:

wood, metal, plastic

A4

WEIGHT:

SCALE: 1:10

SHEET 9 OF 12



**Tiptap** OÜ

Tiptap OÜ  
Veetorni 9,  
Jüri alevik, Rae vald,  
75301 Harjumaa

A

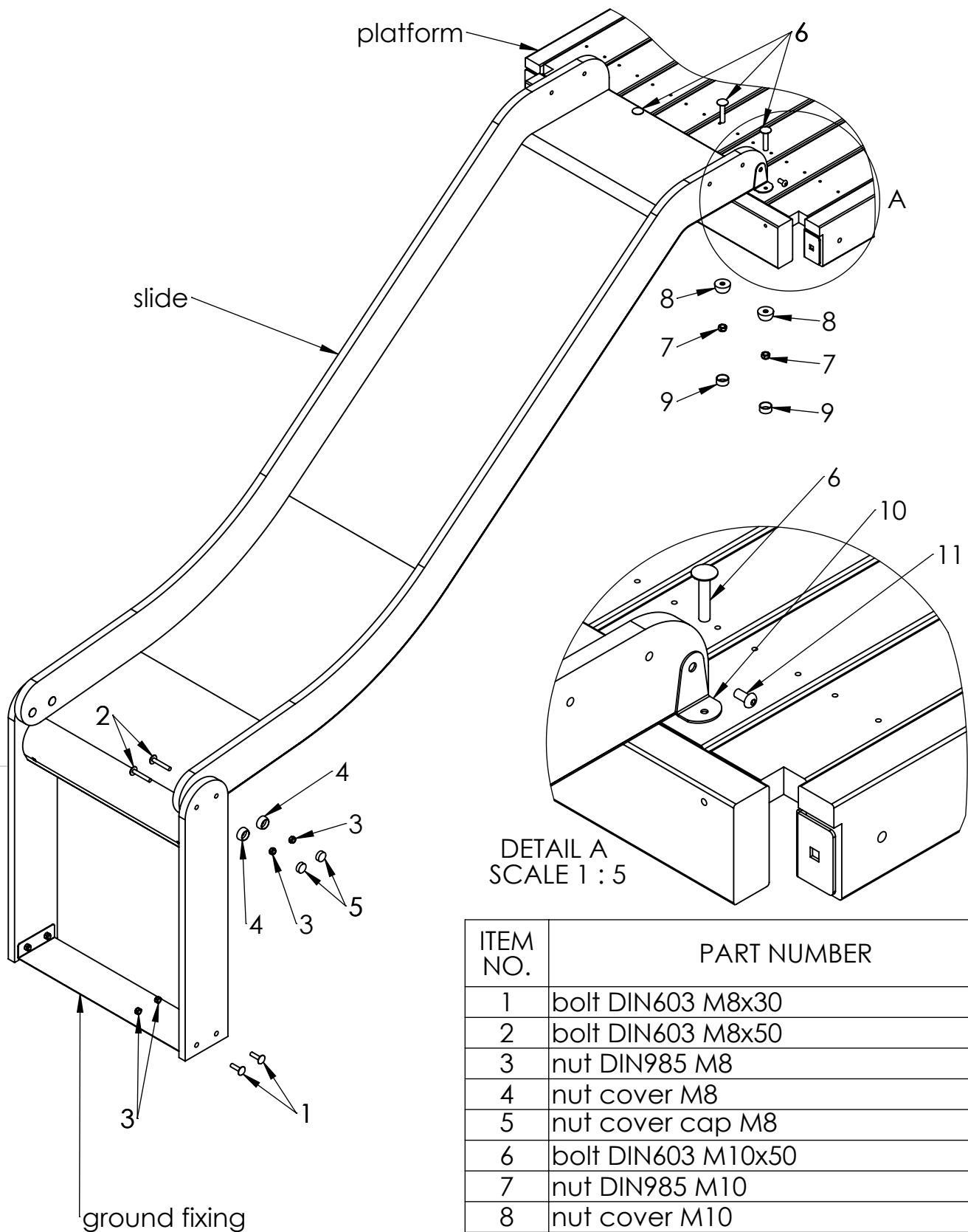
B

C

D

E

F



DETAIL A  
SCALE 1 : 5

ITEM NO.	PART NUMBER
1	bolt DIN603 M8x30
2	bolt DIN603 M8x50
3	nut DIN985 M8
4	nut cover M8
5	nut cover cap M8
6	bolt DIN603 M10x50
7	nut DIN985 M10
8	nut cover M10
9	nut cover cap M10
10	corner 58x30
11	metal screw DIN 7380 M8x16

UNLESS OTHERWISE SPECIFIED:  
DIMENSIONS ARE IN MILLIMETERS  
WEIGHT ARE IN KILOGRAMM

	NAME	SIGNATURE	DATE	REVISION
DRAWN	M.Rebase		03.06.2014	
APPV'D				

PART NUMBER / DWG NO.:

LM207S

DESCRIPTION:

Slide EVE  
connecting slide to platform

MATERIAL:

wood, metal, plastic

A4

WEIGHT:

SCALE: 1:12

SHEET 10 OF 12



**Tiptaptap** OÜ

Tiptaptap OÜ  
Veetorni 9,  
Jüri alevik, Rae vald,  
75301 Harjumaa

A

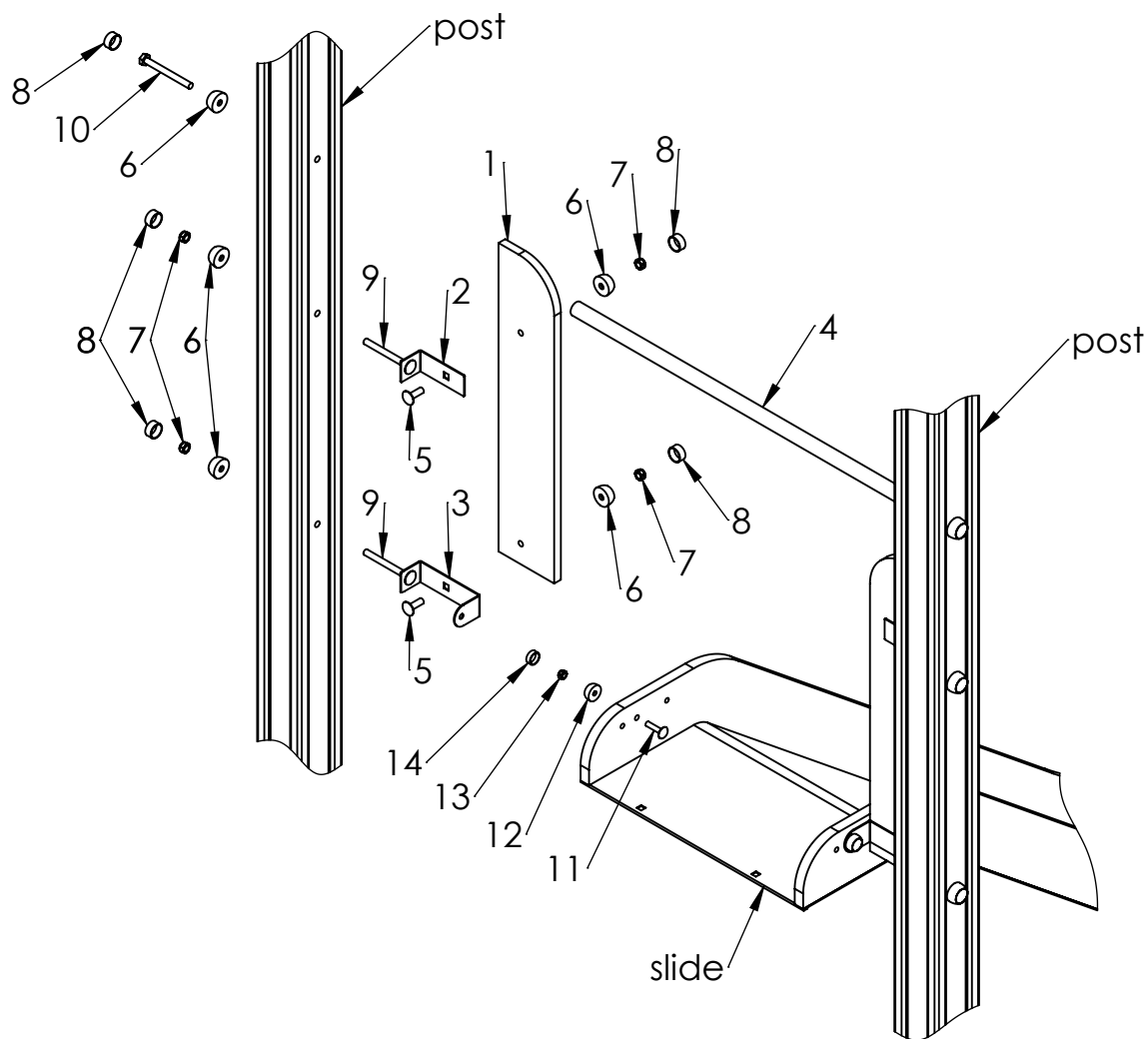
B

C

D

E

F



ITEM NO.	PART NUMBER
1	slide side panel 125x600
2	slide side panel fixing 40x100
3	slide side panel fixing 40x135
4	guardrail $\phi$ 25x770
5	bolt DIN603 M10x30
6	nut cover M10
7	nut DIN985 M10
8	nut cover cap M10
9	bolt DIN603 M10x100
10	bolt DIN931 M10x100
11	bolt DIN603 M8x35
12	nut cover M8
13	nut DIN985 M8
14	nut cover cap M8

UNLESS OTHERWISE SPECIFIED:  
DIMENSIONS ARE IN MILLIMETERS  
WEIGHT ARE IN KILOGRAMM

	NAME	SIGNATURE	DATE	REVISION
DRAWN	M.Rebase		03.06.2014	
APPV'D				

PART NUMBER / DWG NO.:

LM207S

DESCRIPTION:

Slide EVE  
connecting slide side panel to post

MATERIAL:

wood, metal, plastic

A4

WEIGHT:

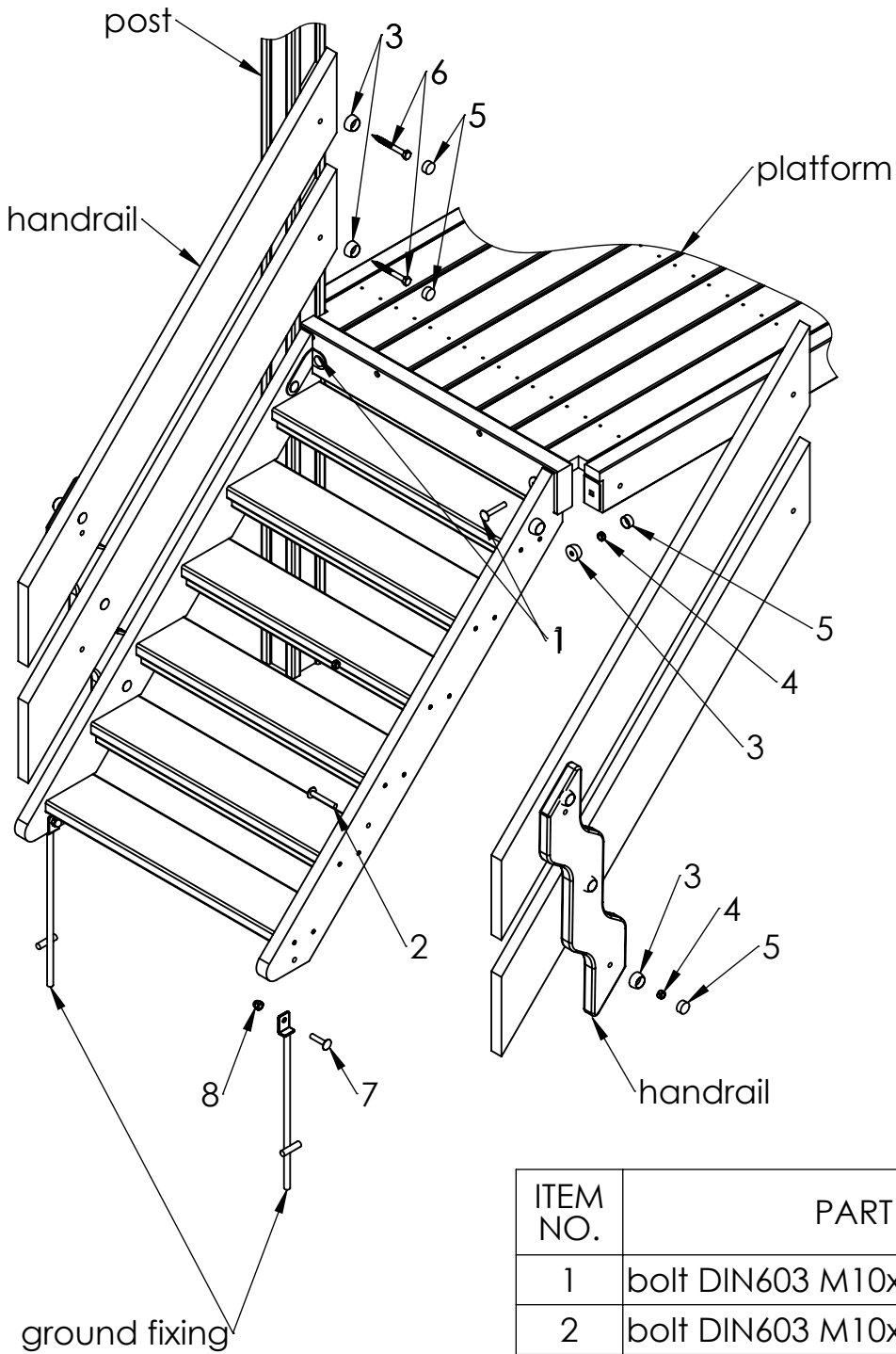
SCALE: 1:12

SHEET 11 OF 12



**Tiptaptap** OÜ

Tiptaptap OÜ  
Veetorni 9,  
Jüri alevik, Rae vald,  
75301 Harjumaa



ITEM NO.	PART NUMBER
1	bolt DIN603 M10x60
2	bolt DIN603 M10x70
3	nut cover M10
4	nut DIN985 M10
5	nut cover cap M10
6	wood screw DIN571 10x100
7	bolt DIN603 M10x45
8	domed cap nut DIN1587 M10

UNLESS OTHERWISE SPECIFIED:  
DIMENSIONS ARE IN MILLIMETERS  
WEIGHT ARE IN KILOGRAMM

PART NUMBER / DWG NO.:

LM207S

	NAME	SIGNATURE	DATE	REVISION
DRAWN	M.Rebase		03.06.2014	
APPV'D				

DESCRIPTION:

Slide EVE  
connecting stairs to post and platform



**Tiptap** OÜ

Tiptap OÜ  
Veetorni 9,  
Jüri alevik, Rae vald,  
75301 Harjumaa

MATERIAL:

wood, metal, plastic

A4

WEIGHT:

SCALE: 1:15

SHEET 12 OF 12