

A

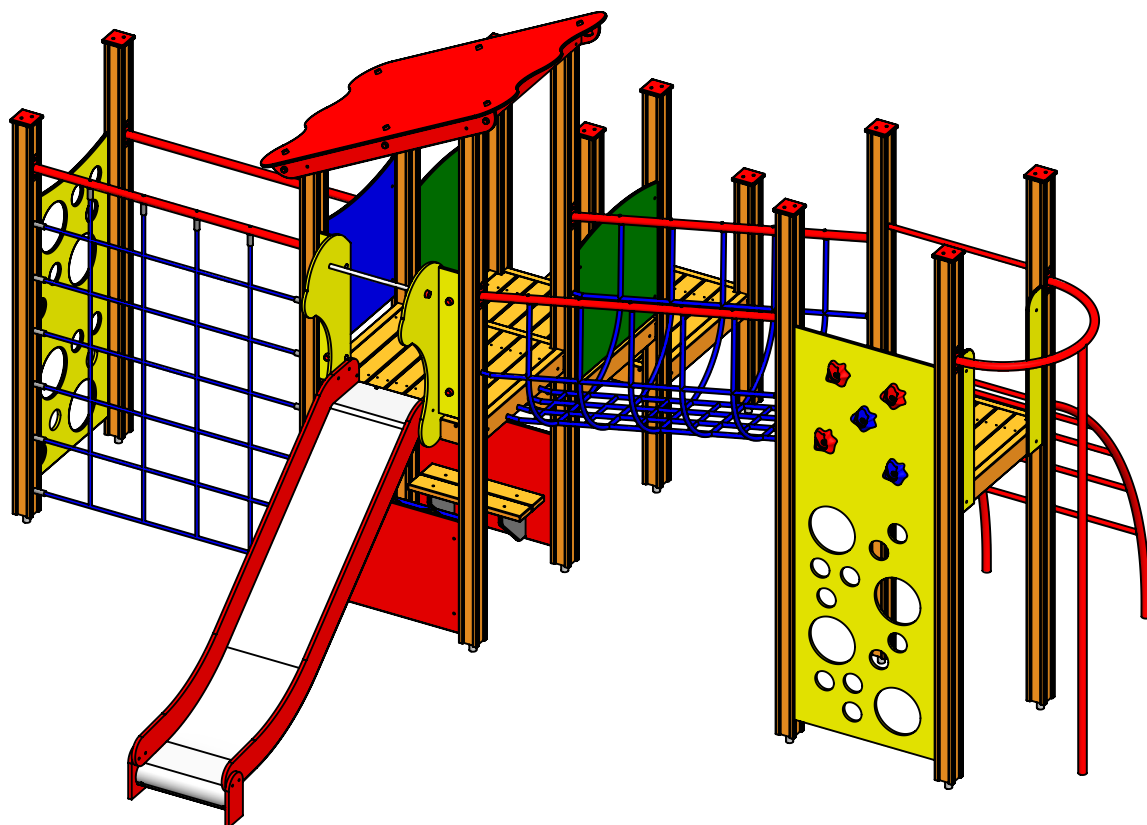
B

C

D

E

F



UNLESS OTHERWISE SPECIFIED:  
DIMENSIONS ARE IN MILLIMETERS  
WEIGHT ARE IN KILOGRAMM

PART NUMBER / DWG NO.:

LM205

	NAME	SIGNATURE	DATE	REVISION
DRAWN	M.Rebase		16.01.2015	
APPV'D				

DESCRIPTION:

Play Centre REBECCA



**Tiptaptap** OÜ

Tiptaptap OÜ  
Veetorni 9,  
Jüri alevik, Rae vald,  
75301 Harjumaa

MATERIAL:

wood, metal, plastic

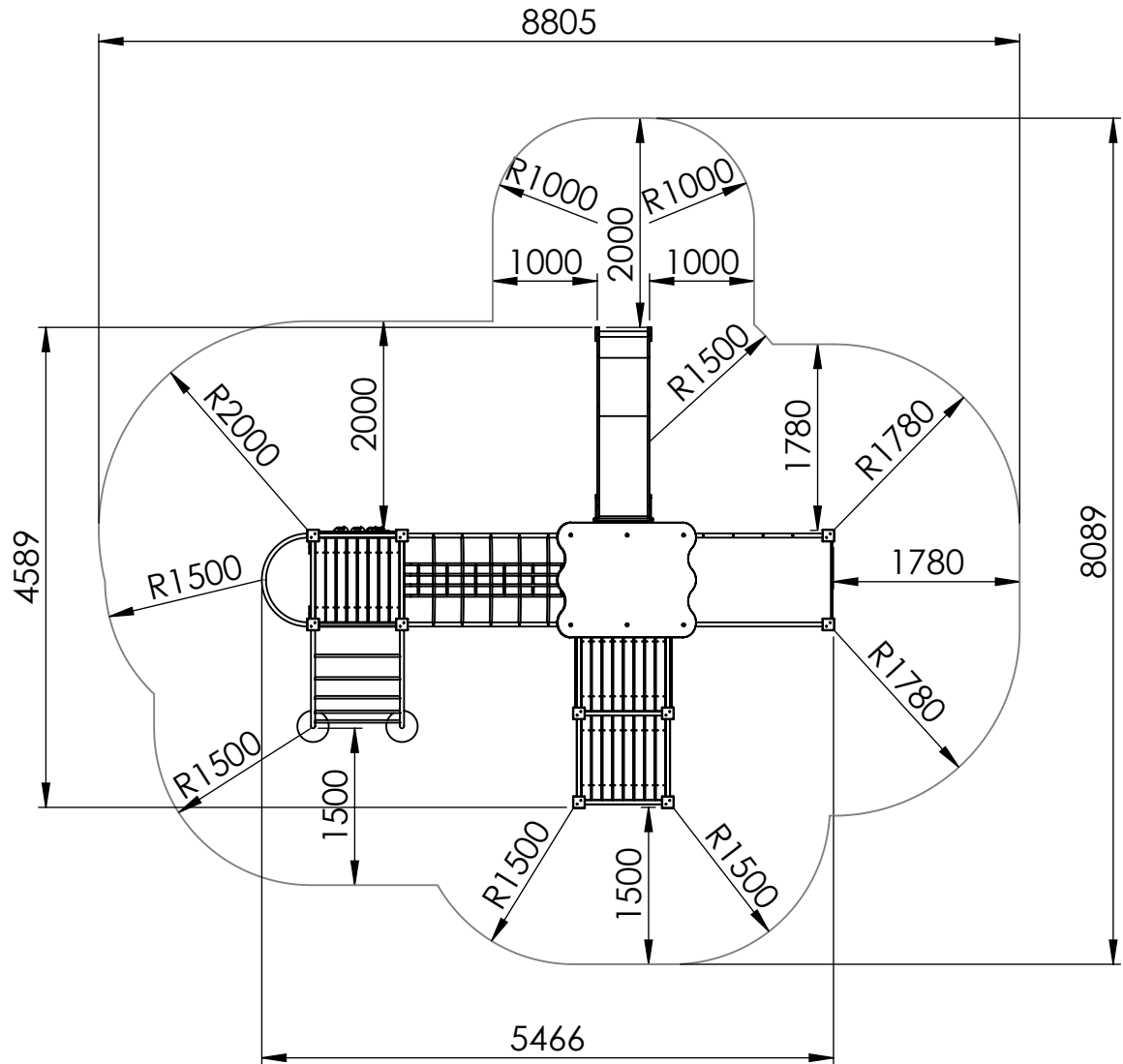
A4

WEIGHT:

SCALE: 1:35

SHEET 1 OF 18

# safety area



UNLESS OTHERWISE SPECIFIED:  
DIMENSIONS ARE IN MILLIMETERS  
WEIGHT ARE IN KILOGRAMM

PART NUMBER / DWG NO.:

LM205

	NAME	SIGNATURE	DATE	REVISION
DRAWN	M.Rebase		16.01.2015	
APPV'D				

DESCRIPTION:

Play Centre REBECCA



**Tiptaptap** OÜ

Tiptaptap OÜ  
Veetorni 9,  
Jüri alevik, Rae vald,  
75301 Harjumaa

MATERIAL:

wood, metal, plastic

A4

WEIGHT:

SCALE: 1:70

SHEET 2 OF 18

# foundation

A

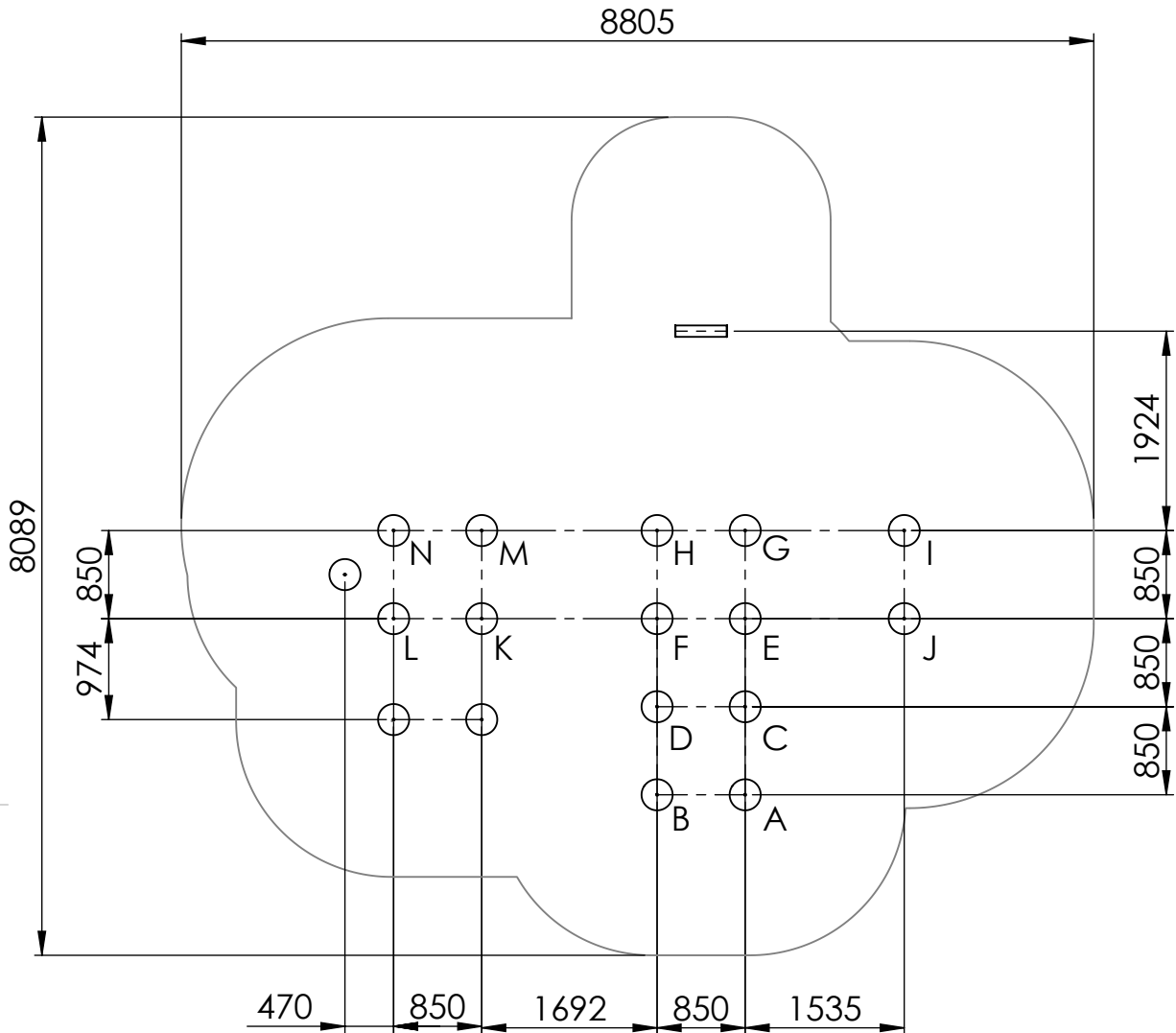
B

C

D

E

F



depth of foundation 500mm

UNLESS OTHERWISE SPECIFIED:  
DIMENSIONS ARE IN MILLIMETERS  
WEIGHT ARE IN KILOGRAMM

PART NUMBER / DWG NO.:

LM205

	NAME	SIGNATURE	DATE	REVISION
DRAWN	M.Rebase		16.01.2015	
APPV'D				

DESCRIPTION:

Play Centre REBECCA



**Tiptaptap** OÜ

Tiptaptap OÜ  
Veetorni 9,  
Jüri alevik, Rae vald,  
75301 Harjumaa

MATERIAL:

wood, metal, plastic

A4

WEIGHT:

SCALE: 1:70

SHEET 3 OF 18

A

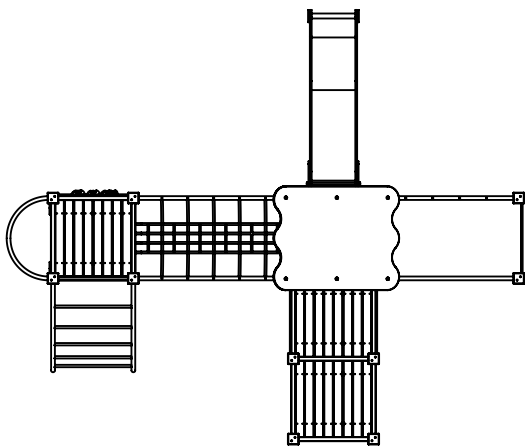
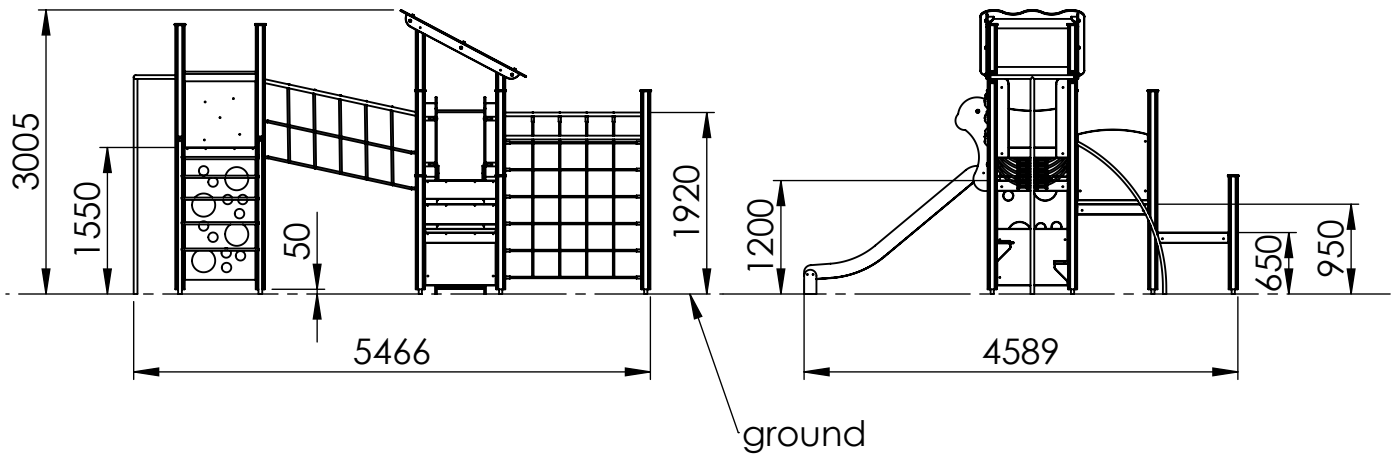
B

C

D

E

F



UNLESS OTHERWISE SPECIFIED:  
DIMENSIONS ARE IN MILLIMETERS  
WEIGHT ARE IN KILOGRAMM

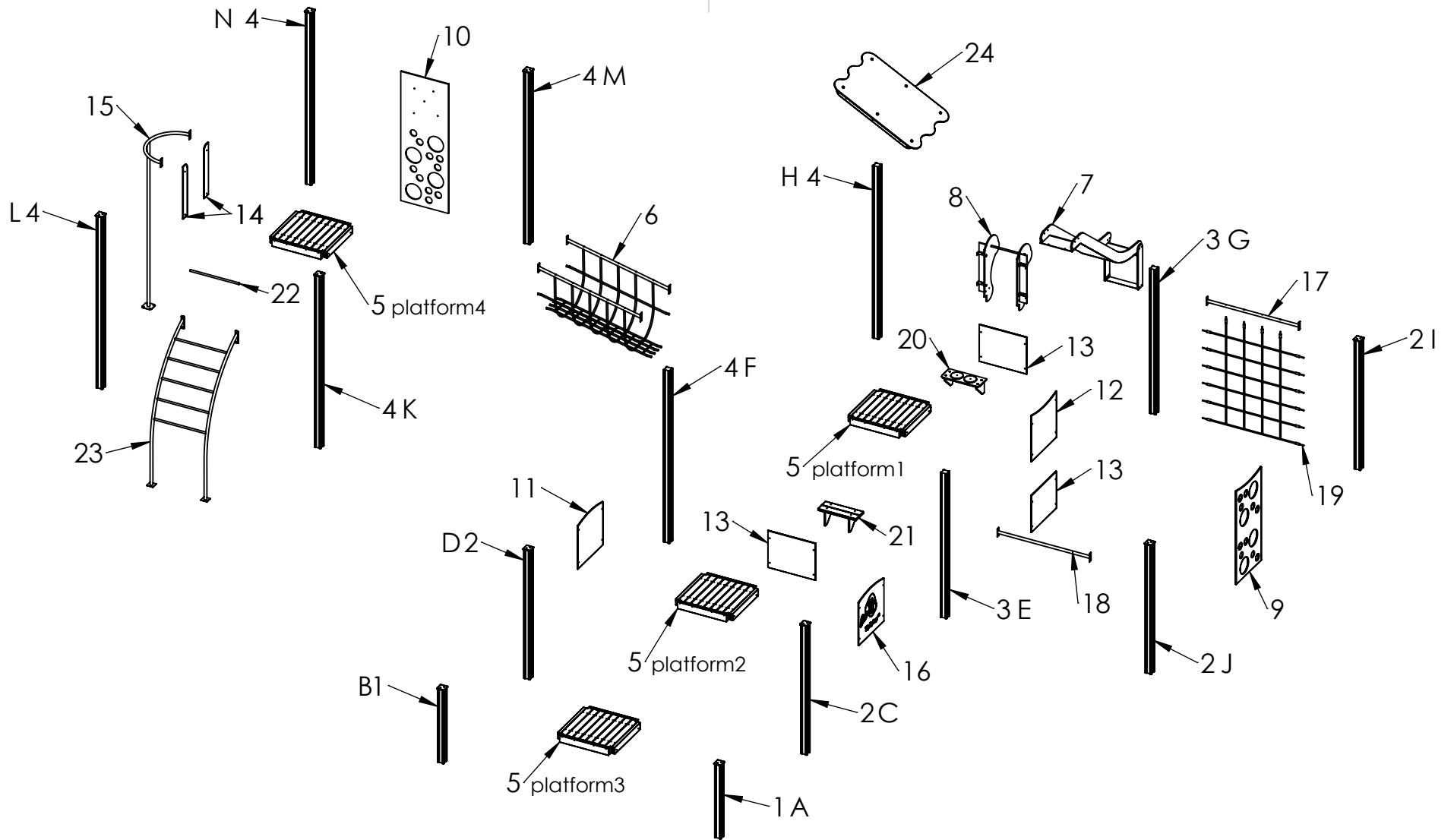
	NAME	SIGNATURE	DATE	REVISION
DRAWN	M.Rebase		16.01.2015	
APPV'D				

PART NUMBER / DWG NO.:	LM205
DESCRIPTION:	Play Centre REBECCA



**Tiptaptap** OÜ  
Veetorni 9,  
Jüri alevik, Rae vald,  
75301 Harjumaa

MATERIAL:	wood, metal, plastic	A4
WEIGHT:	SCALE: 1:80	SHEET 4 OF 18



UNLESS OTHERWISE SPECIFIED:  
 DIMENSIONS ARE IN MILLIMETERS  
 WEIGHT ARE IN KILOGRAMM

PART NUMBER / DWG NO.:  
**LM205**

	NAME	SIGNATURE	DATE	REVISION
DRAWN	M.Rebase		16.01.2015	
APPV'D				

DESCRIPTION:  
**Play Centre REBECCA**



**Tiptap** OÜ  
 Tiptap OÜ  
 Veetorni 9,  
 Jüri alevik, Rae vald,  
 75301 Harjumaa

MATERIAL:	wood, metal, plastic	A4
WEIGHT:	SCALE: 1:80	SHEET 5 OF 18

ITEM NO.	PART NUMBER	DESCRIPTION	QTY.
A 1	post 98x98x1200	laminated wood	2
2	post 98x98x2100	laminated wood	4
3	post 98x98x2350	laminated wood	2
4	post 98x98x2800	laminated wood	6
5	platform	laminated wood, metal	4
6	inclined rope bridge	PP covered steel wire	1
7	slide h_1200	stainless steel, PE plastic	1
8	slide guard block	plywood, metal, plastic	1
B 9	climbing wall h_750x1520	plywood	1
10	climbing wall h_750x2100	plywood	1
11	panel 750x750	plywood	1
12	panel 750x750	plywood	1
13	panel 750x600	plywood	3
14	panel 850x126	plywood	2
15	climbing pole	painted steel	1
C 16	panel 750x750 with logo	plywood	1
17	beam 40x1455 for net	painted steel	1
18	beam 40x1455	painted steel	1
19	climbing net	PP covered steel wire	1
20	playcorner-kitchen	plywood, plastic	1
21	playcorner-bench	laminated wood, plastic	1
22	guardrail $\phi$ 25x770	painted steel	1
D 23	arch ladder	galvanized painted steel	1
24	roof inclined	plywood	1

UNLESS OTHERWISE SPECIFIED:  
DIMENSIONS ARE IN MILLIMETERS  
WEIGHT ARE IN KILOGRAMM

PART NUMBER / DWG NO.:

LM205

	NAME	SIGNATURE	DATE	REVISION
DRAWN	M.Rebase		16.01.2015	
APPV'D				

DESCRIPTION:

Play Centre REBECCA



**Tiptaptap** OÜ

Tiptaptap OÜ  
Veetorni 9,  
Jüri alevik, Rae vald,  
75301 Harjumaa

MATERIAL:

wood, metal, plastic

A4

WEIGHT:

SCALE: 1:100

SHEET 6 OF 18

A

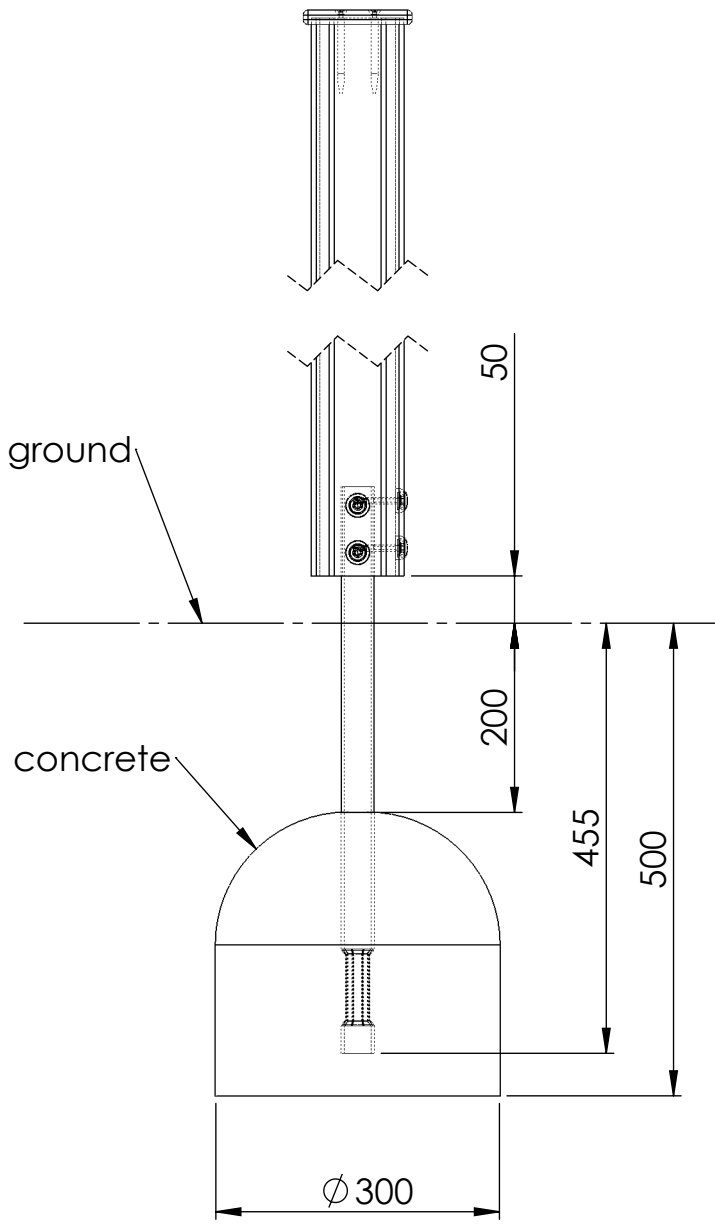
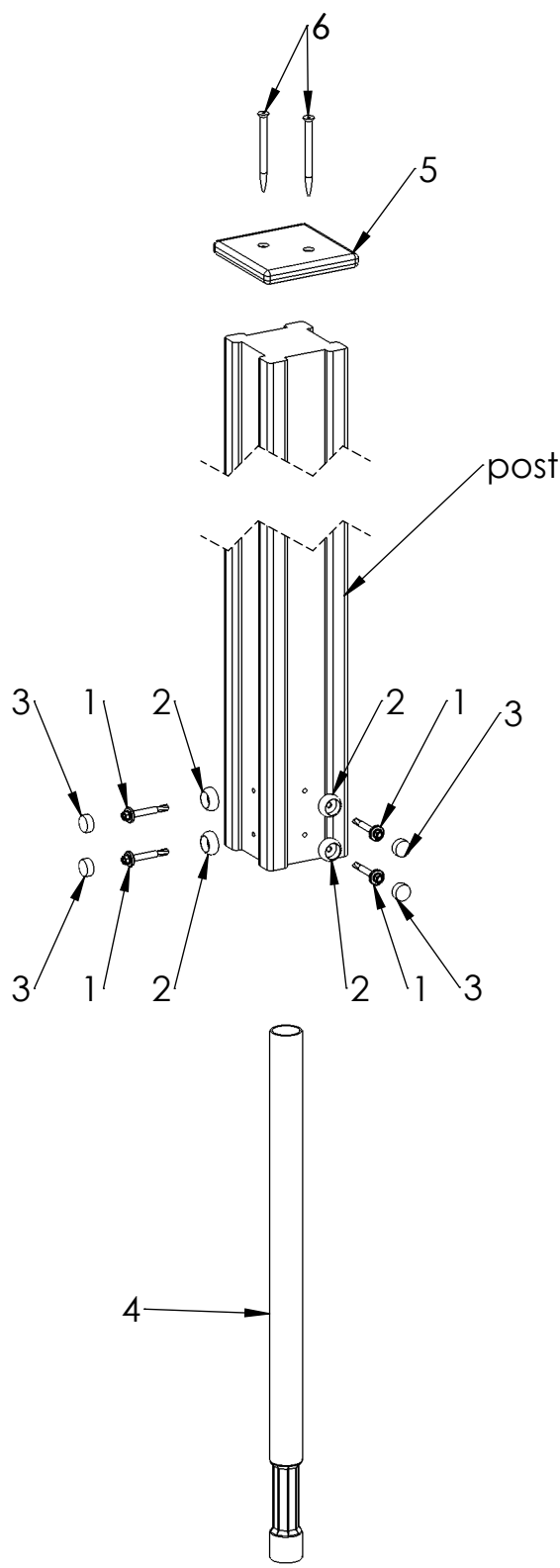
B

C

D

E

F



ITEM NO.	PART NUMBER
1	screw DIN7504K 5,5x50
2	nut cover M6
3	nut cover cap M6
4	metal ground fixing L_600
5	plastic cap 115x115
6	woodscrew 6 x 90

UNLESS OTHERWISE SPECIFIED:  
DIMENSIONS ARE IN MILLIMETERS  
WEIGHT ARE IN KILOGRAMM

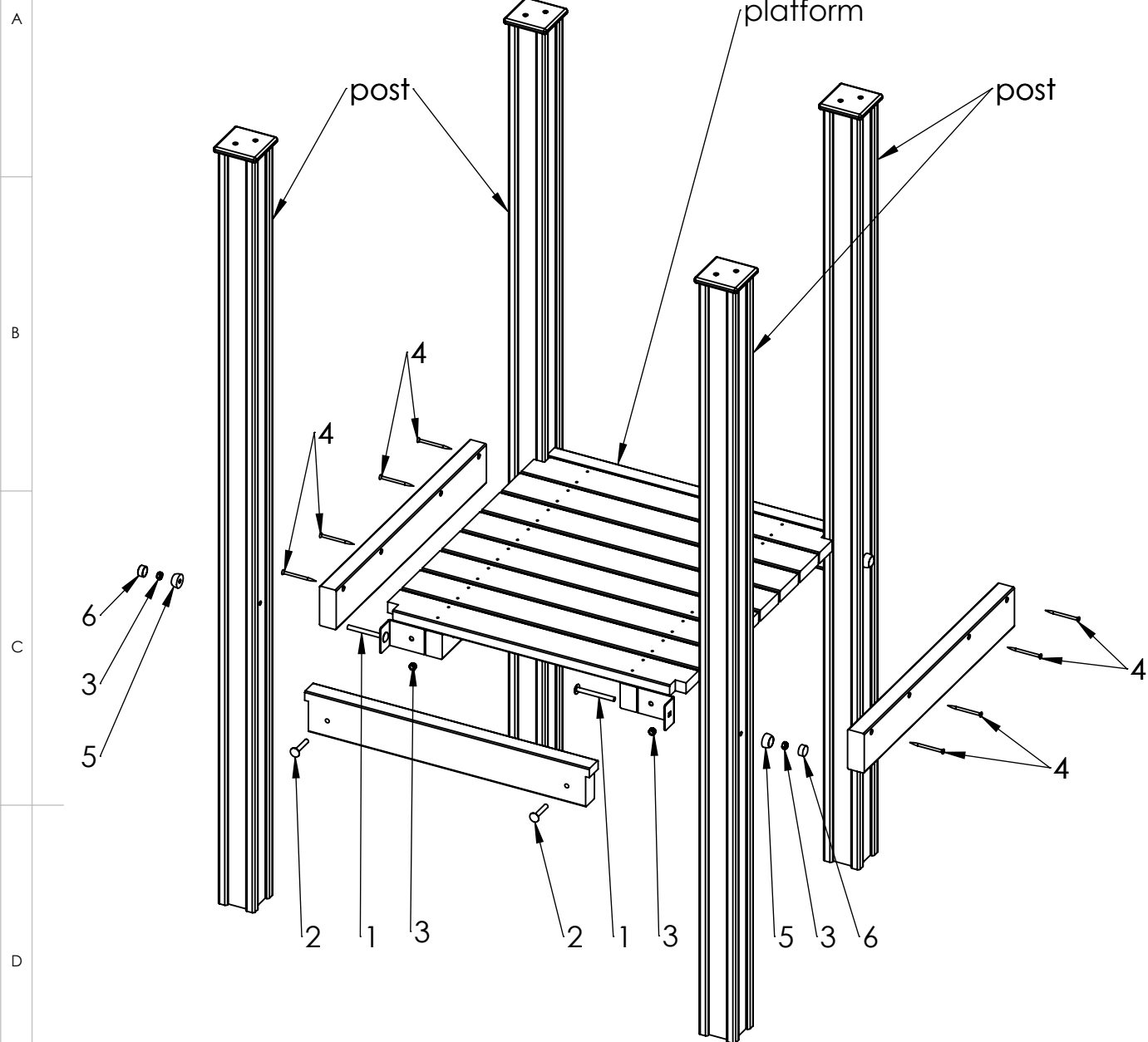
NAME	SIGNATURE	DATE	REVISION
DRAWN M.Rebase		16.01.2015	
APPV'D			

PART NUMBER / DWG NO.:  
**LM205**

DESCRIPTION:  
**Play Centre REBECCA  
connecting metal ground fixing to post**

**Tiptiptap** OÜ  
Veetorni 9,  
Jüri alevik, Rae vald,  
75301 Harjumaa

MATERIAL: wood, metal, plastic	A4
WEIGHT:	SCALE: 1:8
	SHEET 7 OF 18



E

ITEM NO.	PART NUMBER
1	bolt DIN603 M10x100
2	bolt DIN603 M10x60
3	nut DIN985 M10
4	woodscrew 6 x 90
5	nut cover M10
6	nut cover cap M10

F

UNLESS OTHERWISE SPECIFIED:  
DIMENSIONS ARE IN MILLIMETERS  
WEIGHT ARE IN KILOGRAMM

PART NUMBER / DWG NO.:

LM205

	NAME	SIGNATURE	DATE	REVISION
DRAWN	M.Rebase		16.01.2015	
APPV'D				

DESCRIPTION:

Play Centre REBECCA  
connecting platform to post

MATERIAL:

wood, metal, plastic

A4

WEIGHT:

SCALE: 1:15

SHEET 8 OF 18



**Tiptiptap** OÜ

Tiptiptap OÜ  
Veetorni 9,  
Jüri alevik, Rae vald,  
75301 Harjumaa



A

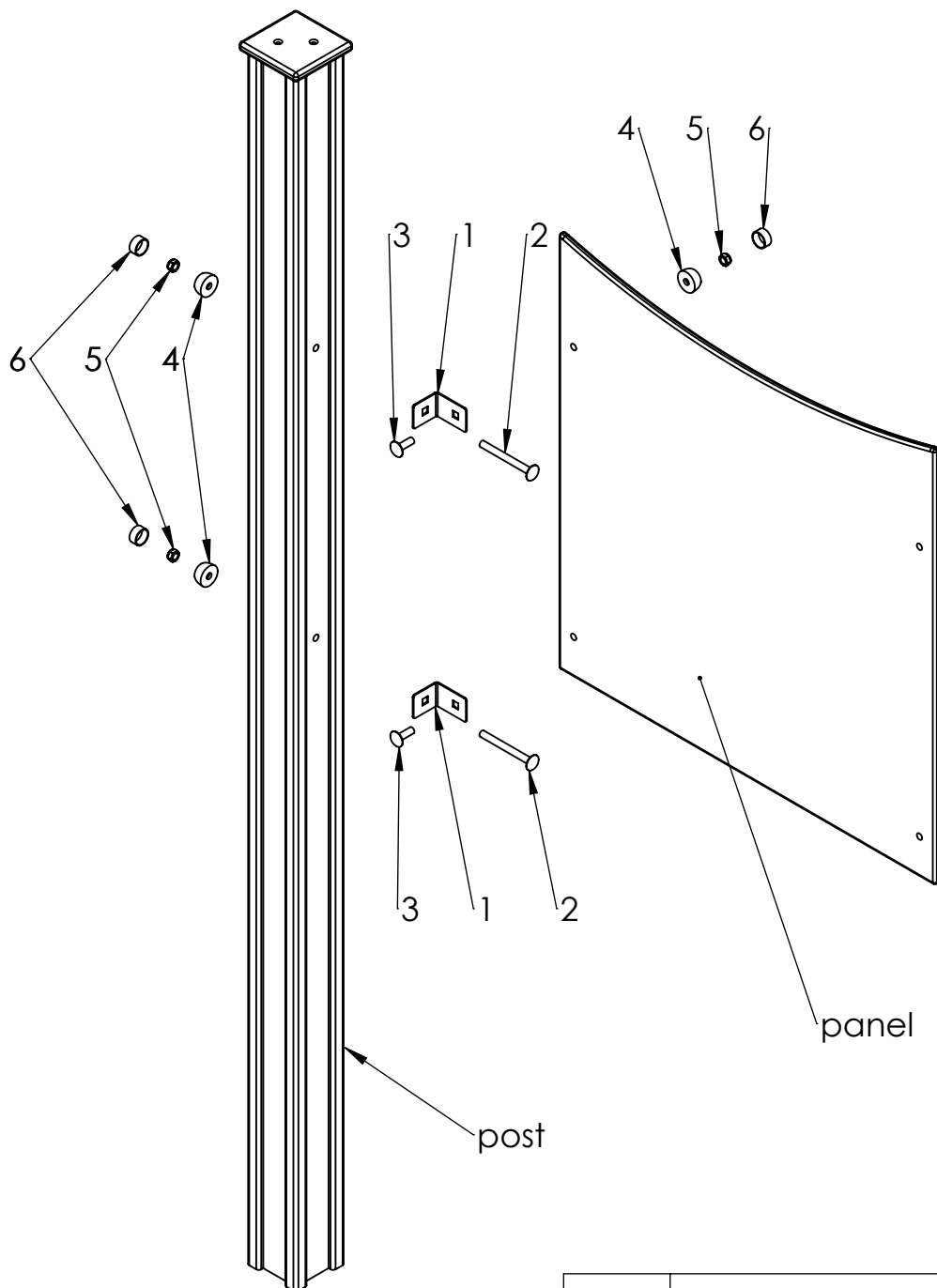
B

C

D

E

F



ITEM NO.	PART NUMBER
1	corner 48x60
2	bolt DIN603 M10x100
3	bolt DIN603 M10x30
4	nut cover M10
5	nut DIN985 M10
6	nut cover cap M10

UNLESS OTHERWISE SPECIFIED:  
DIMENSIONS ARE IN MILLIMETERS  
WEIGHT ARE IN KILOGRAMM

PART NUMBER / DWG NO.:

LM205

	NAME	SIGNATURE	DATE	REVISION
DRAWN	M.Rebase		16.01.2015	
APPV'D				

DESCRIPTION:

Play Centre REBECCA  
connecting panel to post

MATERIAL:

wood, metal, plastic

A4

WEIGHT:

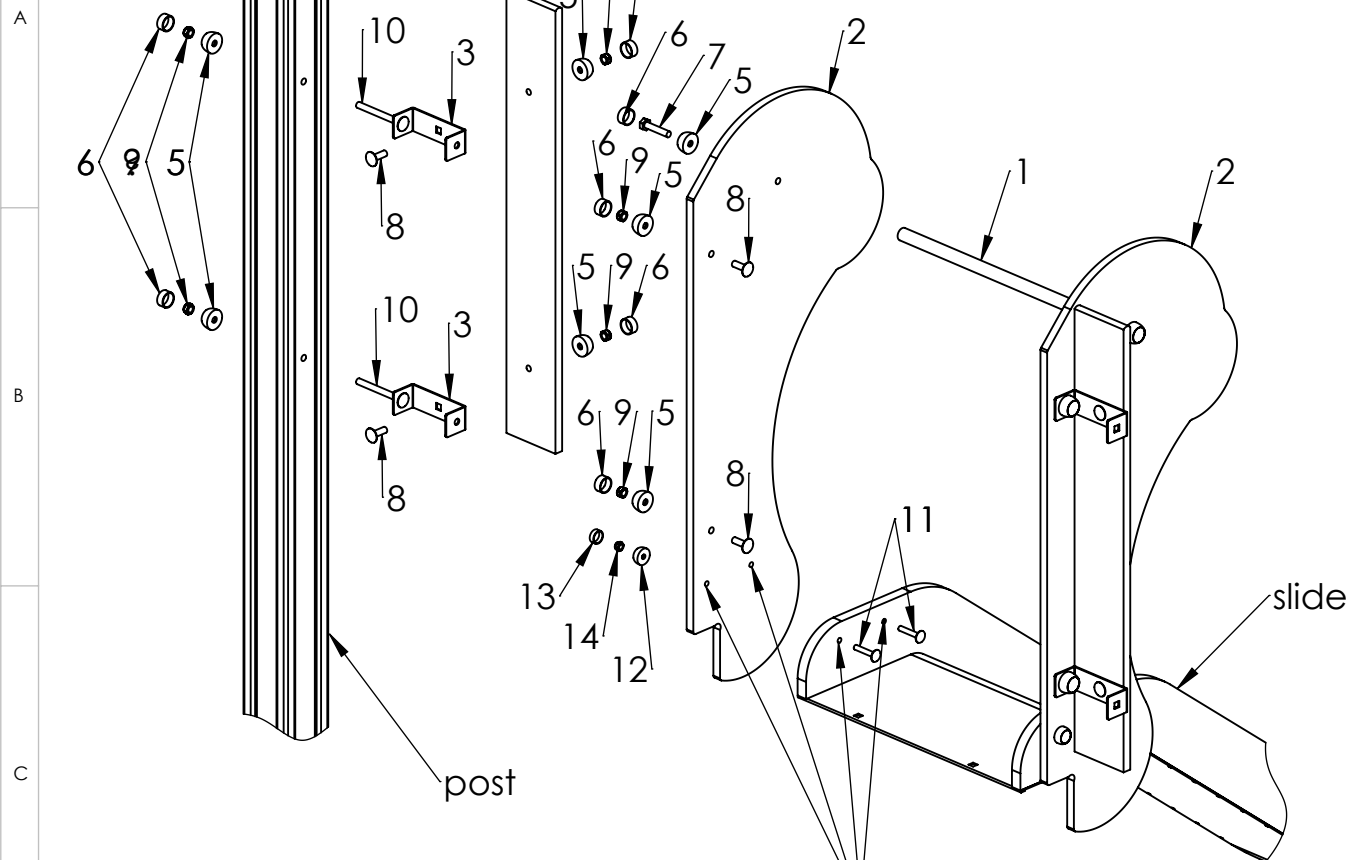
SCALE: 1:10

SHEET 9 OF 18



**Tiptap** OÜ

Tiptap OÜ  
Veetorni 9,  
Jüri alevik, Rae vald,  
75301 Harjumaa



It is important to drill 8,5mm holes through side panel and slide.

ITEM NO.	PART NUMBER
1	slide guardrail
2	slide side panel
3	slide side panel fixing 40x120
4	side panel 110x780
5	nut cover M10
6	nut cover cap M10
7	bolt DIN931 M10x50
8	bolt DIN603 M10x30
9	nut DIN985 M10
10	bolt DIN603 M10x100
11	bolt DIN603 M8x45
12	nut cover M8
13	nut cover cap M8
14	nut DIN985 M8

UNLESS OTHERWISE SPECIFIED:  
DIMENSIONS ARE IN MILLIMETERS  
WEIGHT ARE IN KILOGRAMM

PART NUMBER / DWG NO.:

LM205

	NAME	SIGNATURE	DATE	REVISION
DRAWN	M.Rebase		16.01.2015	
APPV'D				

DESCRIPTION:

Play Centre REBECCA  
connecting slide guard block to post

MATERIAL:

wood, metal, plastic

A4

WEIGHT:

SCALE: 1:12

SHEET 10 OF 18



**Tiptap** OÜ

Tiptap OÜ  
Veetorni 9,  
Jüri alevik, Rae vald,  
75301 Harjumaa

A

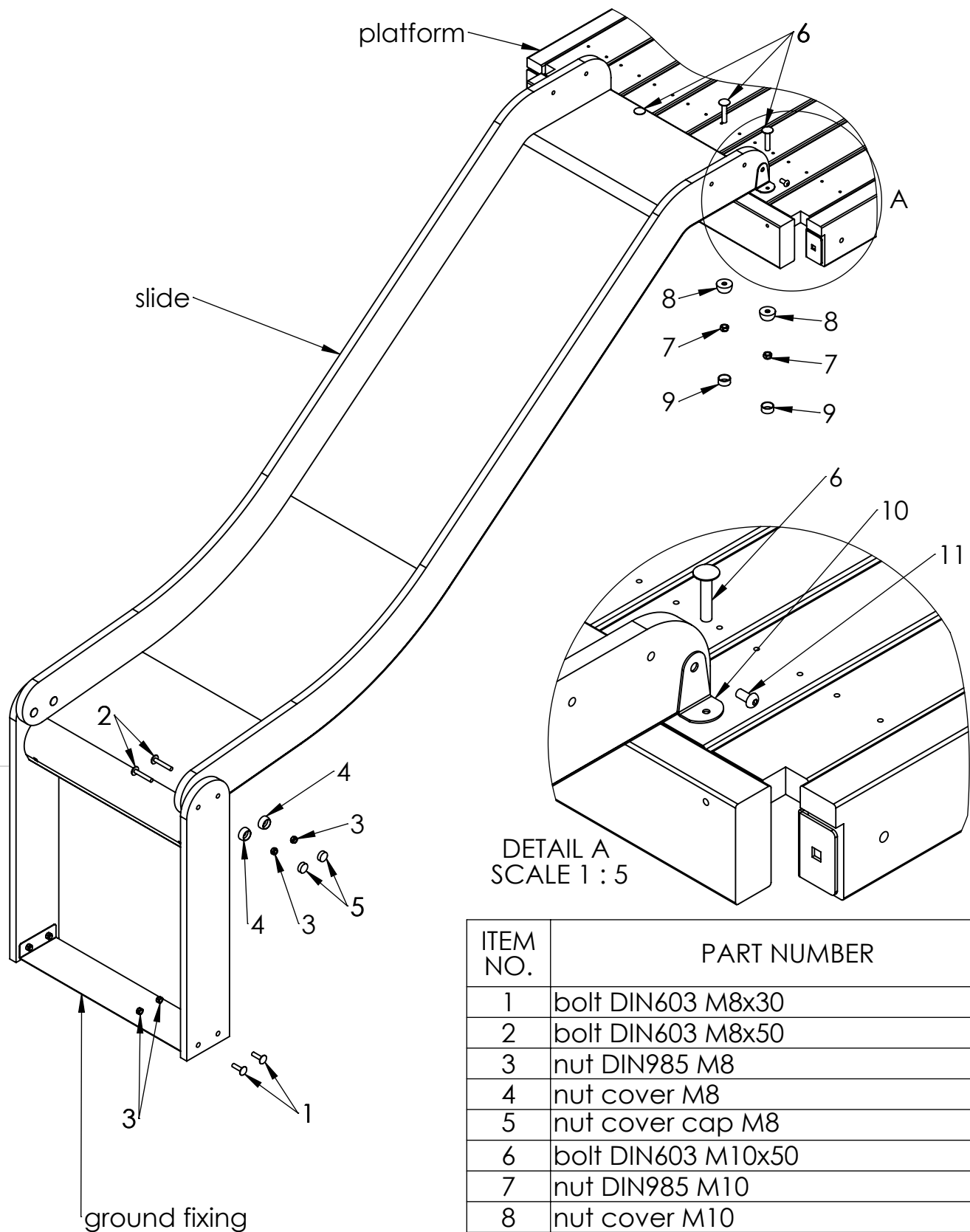
B

C

D

E

F



ITEM NO.	PART NUMBER
1	bolt DIN603 M8x30
2	bolt DIN603 M8x50
3	nut DIN985 M8
4	nut cover M8
5	nut cover cap M8
6	bolt DIN603 M10x50
7	nut DIN985 M10
8	nut cover M10
9	nut cover cap M10
10	corner 58x30
11	metal screw DIN 7380 M8x16

UNLESS OTHERWISE SPECIFIED:  
DIMENSIONS ARE IN MILLIMETERS  
WEIGHT ARE IN KILOGRAMM

	NAME	SIGNATURE	DATE	REVISION
DRAWN	M.Rebase		16.01.2015	
APPV'D				

PART NUMBER / DWG NO.:

LM205

DESCRIPTION:

Play Centre REBECCA  
connecting slide to platform

MATERIAL:

wood, metal, plastic

A4

WEIGHT:

SCALE: 1:12

SHEET 11 OF 18



**Tiptaptap** OÜ

Tiptaptap OÜ  
Veetorni 9,  
Jüri alevik, Rae vald,  
75301 Harjumaa

A

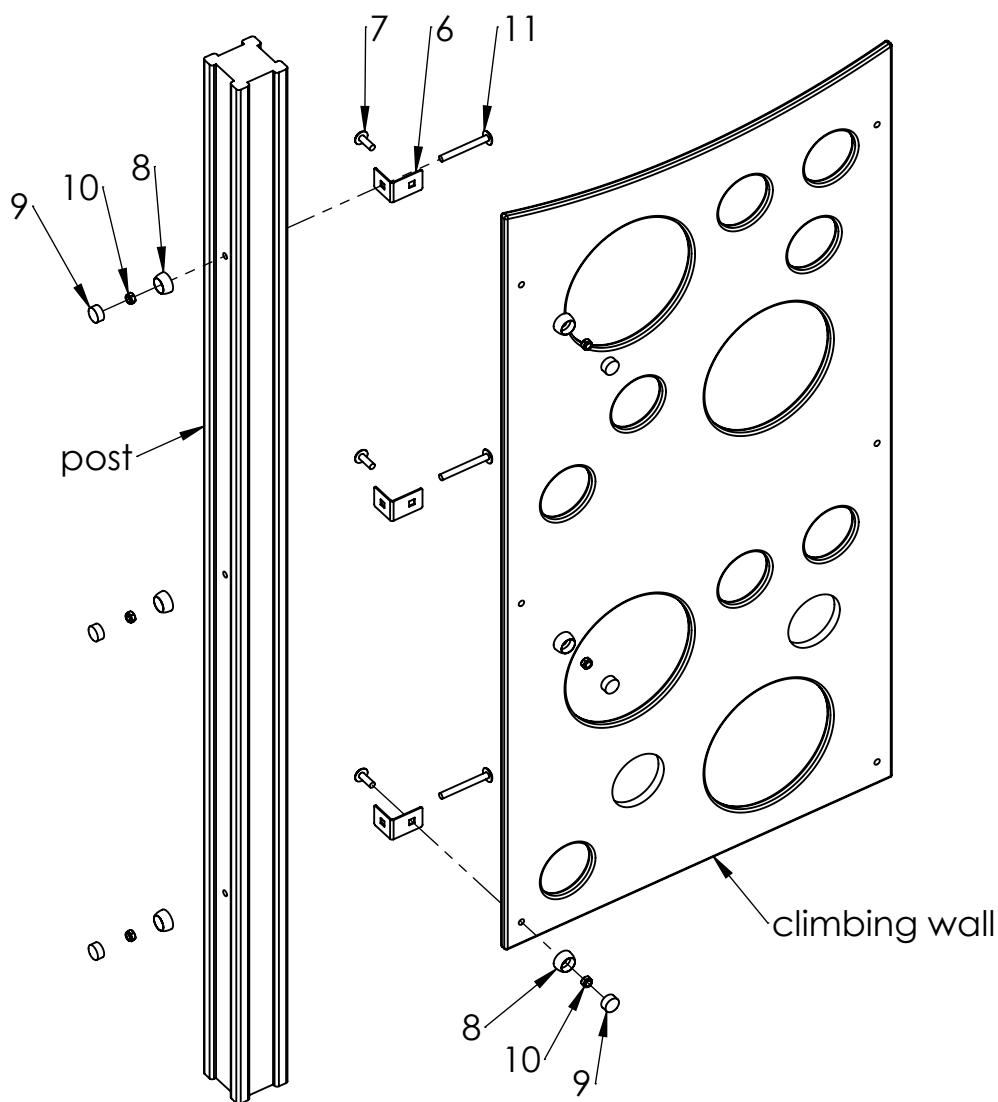
B

C

D

E

F



ITEM NO.	PART NUMBER
1	corner 48x60
2	bolt DIN603 M10x30
3	bolt DIN603 M10x90
4	nut cover M10
5	nut DIN985 M10
6	nut cover cap M10

UNLESS OTHERWISE SPECIFIED:  
DIMENSIONS ARE IN MILLIMETERS  
WEIGHT ARE IN KILOGRAMM

PART NUMBER / DWG NO.:

LM205

	NAME	SIGNATURE	DATE	REVISION
DRAWN	M.Rebase		16.01.2015	
APPV'D				

DESCRIPTION:

Play Centre REBECCA  
connecting climbing wall to post

MATERIAL:

wood, metal, plastic

A4

WEIGHT:

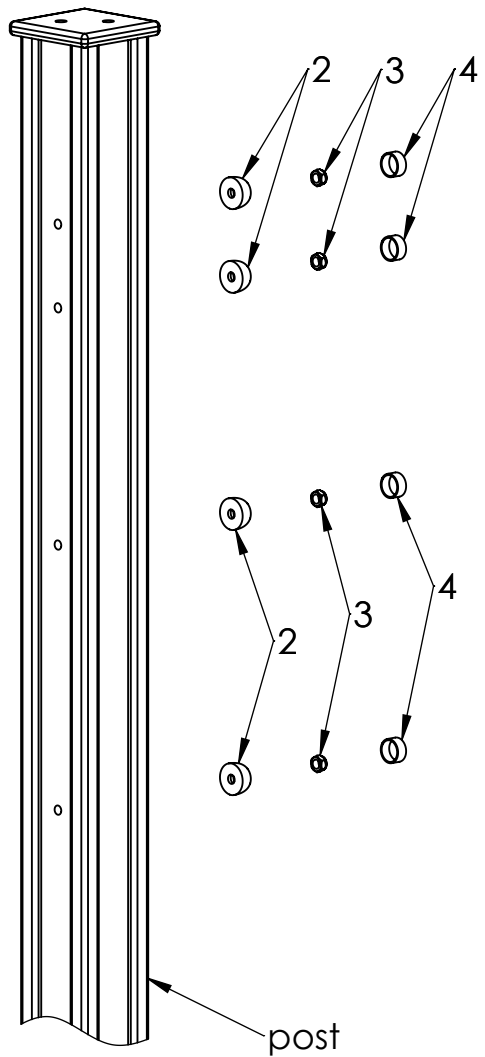
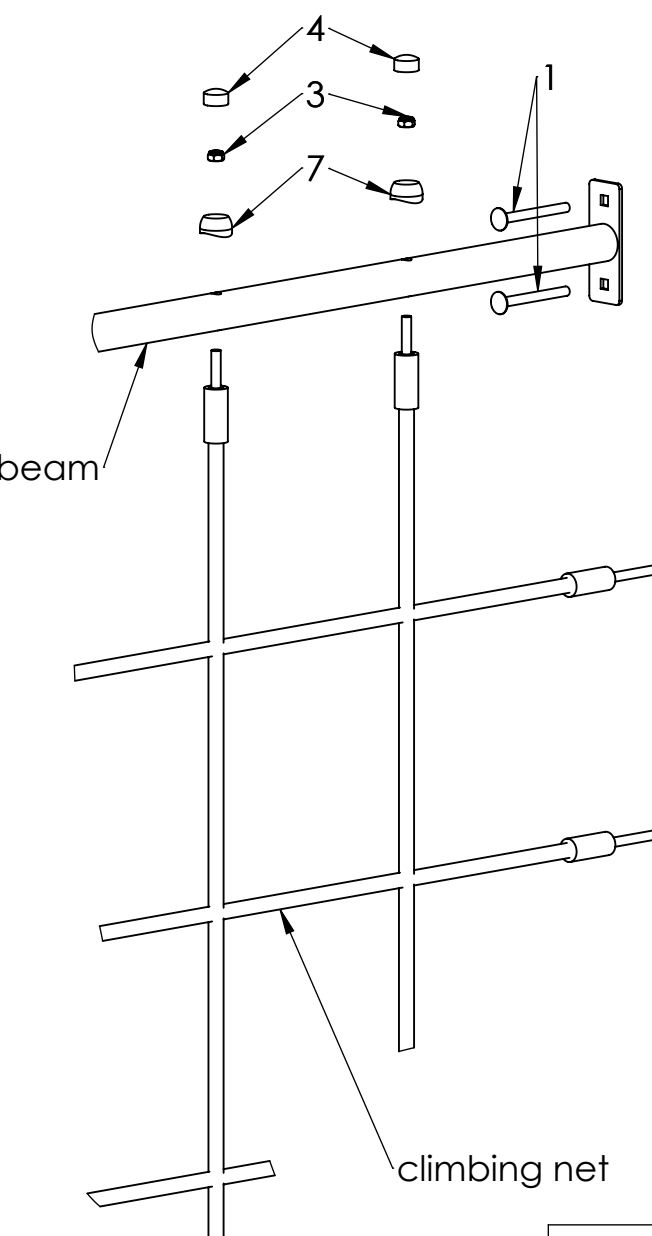
SCALE: 1:12

SHEET 12 OF 18



**Tiptap** OÜ

Tiptap OÜ  
Veetorni 9,  
Jüri alevik, Rae vald,  
75301 Harjumaa

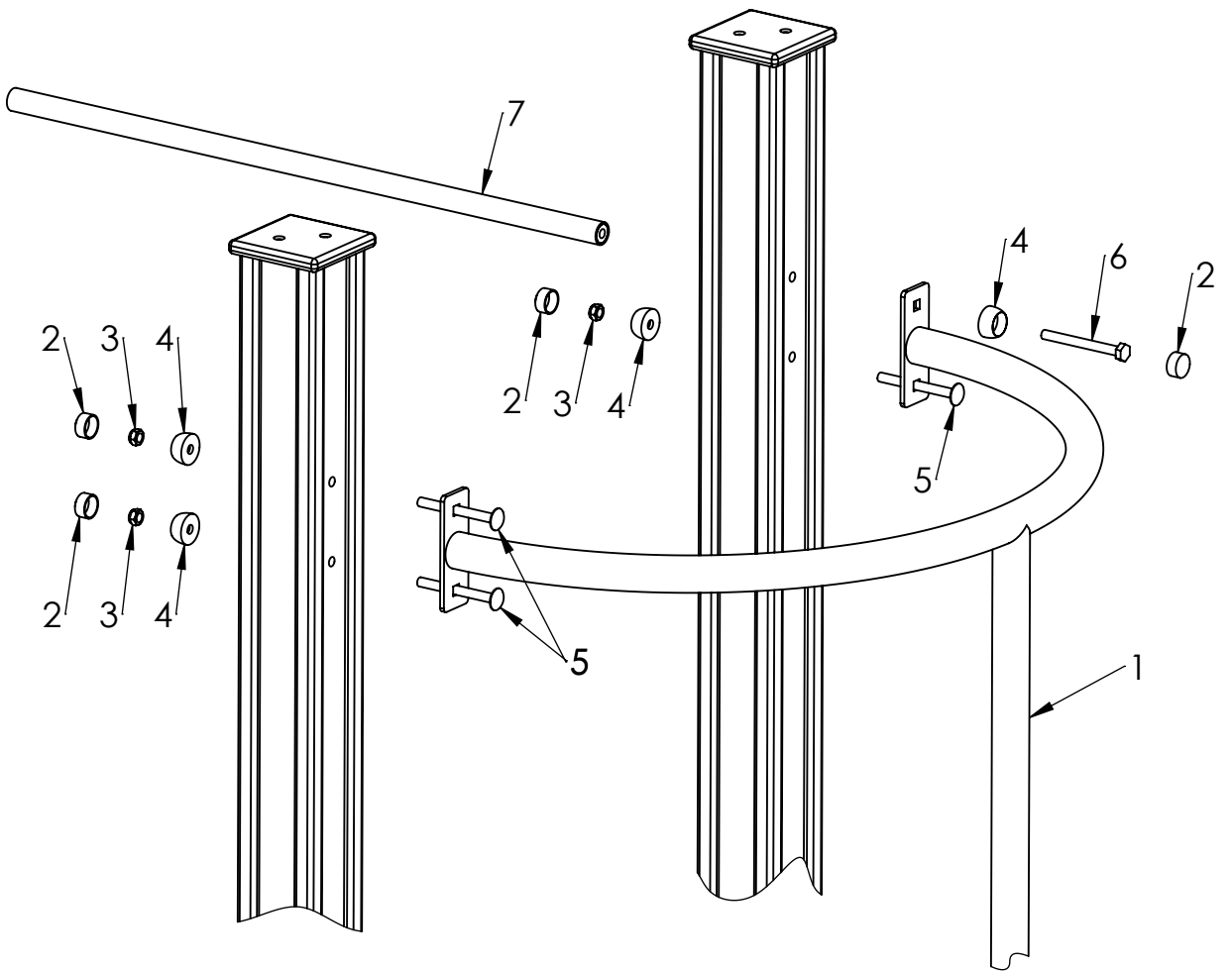


ITEM NO.	PART NUMBER
1	bolt DIN603 M10x100
2	nut cover M10
3	nut DIN985 M10
4	nut cover cap M10
6	beam 40x1455 for net
7	nut cover for beam M10

UNLESS OTHERWISE SPECIFIED: DIMENSIONS ARE IN MILLIMETERS WEIGHT ARE IN KILOGRAMM				
	NAME	SIGNATURE	DATE	REVISION
DRAWN	M.Rebase		16.01.2015	
APPV'D				

PART NUMBER / DWG NO.:		LM205	
DESCRIPTION:			
Play Centre REBECCA connecting beam and climbing net to post			
MATERIAL:		wood, metal, plastic	A4
WEIGHT:		SCALE: 1:8	SHEET 13 OF 18


**Tiptiptap** OÜ  
 Tiptiptap OÜ  
 Veetorni 9,  
 Jüri alevik, Rae vald,  
 75301 Harjumaa



ITEM NO.	PART NUMBER
1	climbing pole
2	nut cover cap M10
3	nut DIN985 M10
4	nut cover M10
5	bolt DIN603 M10x100
6	bolt DIN931 M10x100
7	guardrail $\varnothing$ 25x770

UNLESS OTHERWISE SPECIFIED:  
DIMENSIONS ARE IN MILLIMETERS  
WEIGHT ARE IN KILOGRAMM

PART NUMBER / DWG NO.:

LM205

	NAME	SIGNATURE	DATE	REVISION
DRAWN	M.Rebase		16.01.2015	
APPV'D				

DESCRIPTION:

Play Centre REBECCA

connecting climbing pole and guardrail to post

MATERIAL: wood, metal, plastic

A4

WEIGHT:

SCALE: 1:8

SHEET 14 OF 18



**Tiptap** OÜ

Tiptap OÜ  
Veetorni 9,  
Jüri alevik, Rae vald,  
75301 Harjumaa

A

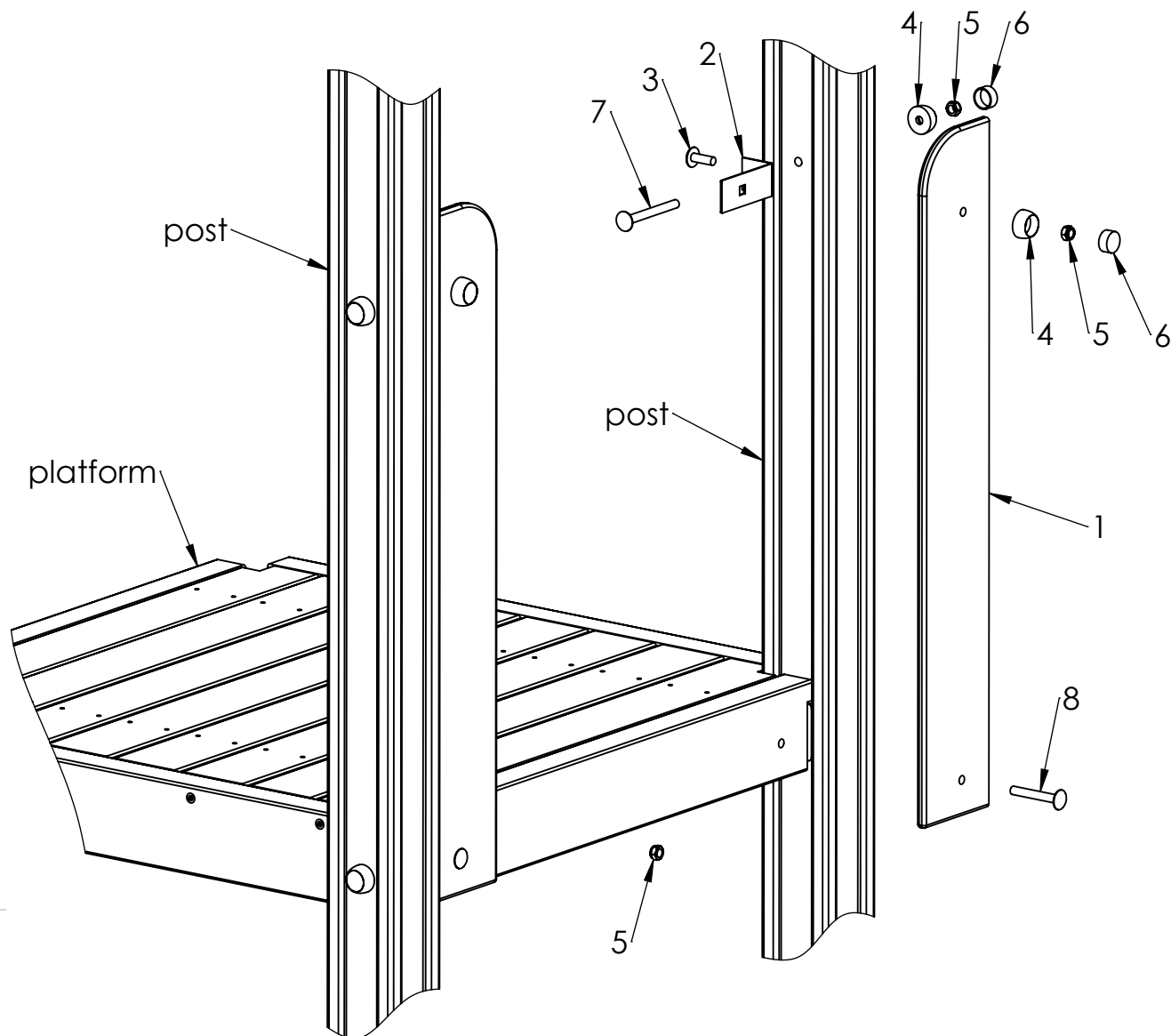
B

C

D

E

F



ITEM NO.	PART NUMBER
1	panel 850x126
2	slide side panel fixing 40x100
3	bolt DIN603 M10x30
4	nut cover M10
5	nut DIN985 M10
6	nut cover cap M10
7	bolt DIN603 M10x100
8	bolt DIN603 M10x70

UNLESS OTHERWISE SPECIFIED:  
DIMENSIONS ARE IN MILLIMETERS  
WEIGHT ARE IN KILOGRAMM

	NAME	SIGNATURE	DATE	REVISION
DRAWN	M.Rebase		16.01.2015	
APPV'D				

PART NUMBER / DWG NO.:

LM205

DESCRIPTION:

Play Centre REBECCA  
connecting climbing pole side panels

MATERIAL:

wood, metal, plastic

A4

WEIGHT:

SCALE: 1:8

SHEET 15 OF 18



**Tiptaptap** OÜ

Tiptaptap OÜ  
Veetorni 9,  
Jüri alevik, Rae vald,  
75301 Harjumaa

A

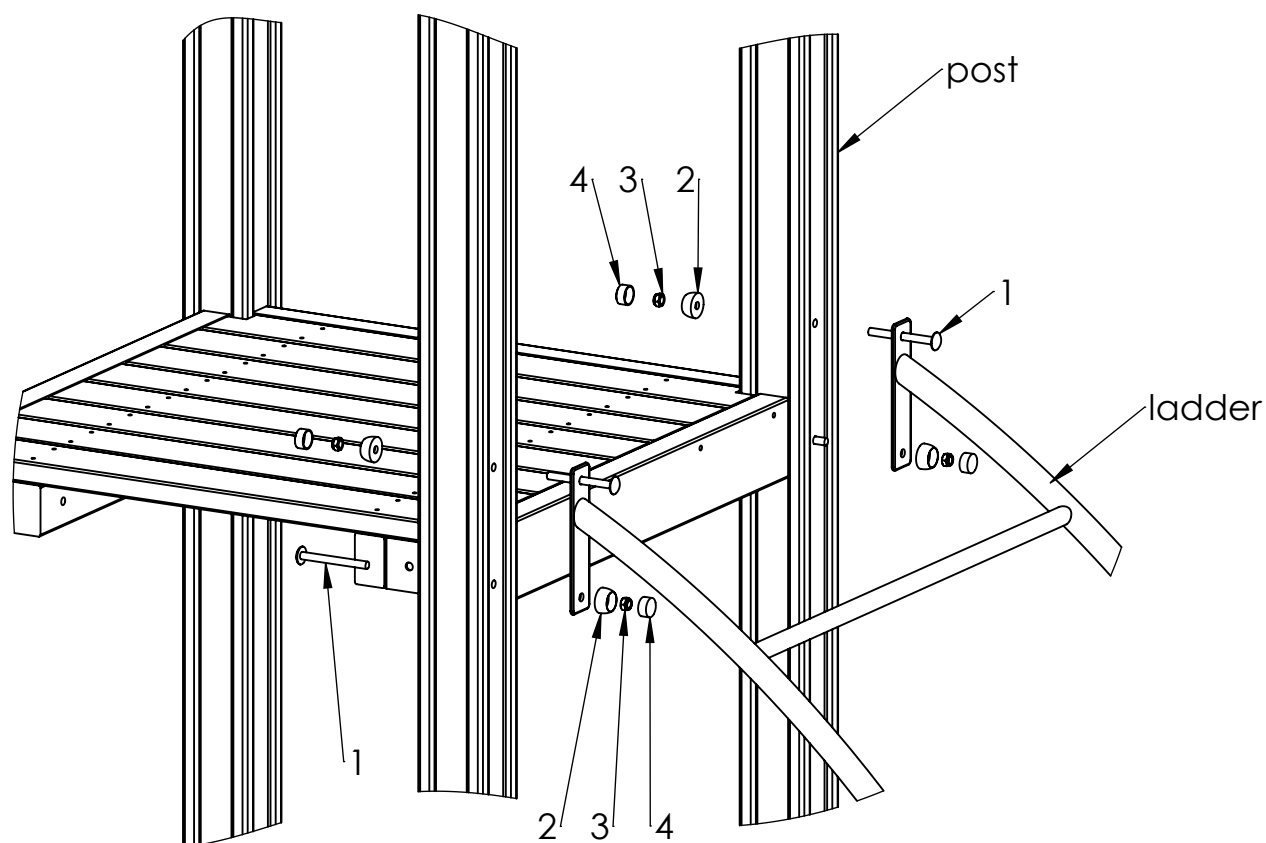
B

C

D

E

F



ITEM NO.	ITEM NAME
1	bolt DIN603 M10x100
2	nut cover
3	nut DIN 985 NYLOC M10
4	nut cover cap

UNLESS OTHERWISE SPECIFIED:  
DIMENSIONS ARE IN MILLIMETERS  
WEIGHT ARE IN KILOGRAMM

PART NUMBER / DWG NO.:

LM205

	NAME	SIGNATURE	DATE	REVISION
DRAWN	M.Rebase		16.01.2015	
APPV'D				

DESCRIPTION:

Play Centre REBECCA  
connecting arch ladder to post

MATERIAL:

wood, metal, plastic

A4

WEIGHT:

SCALE: 1:10

SHEET 16 OF 18



**Tiptiptap** OÜ

Tiptiptap OÜ  
Veetorni 9,  
Jüri alevik, Rae vald,  
75301 Harjumaa



A

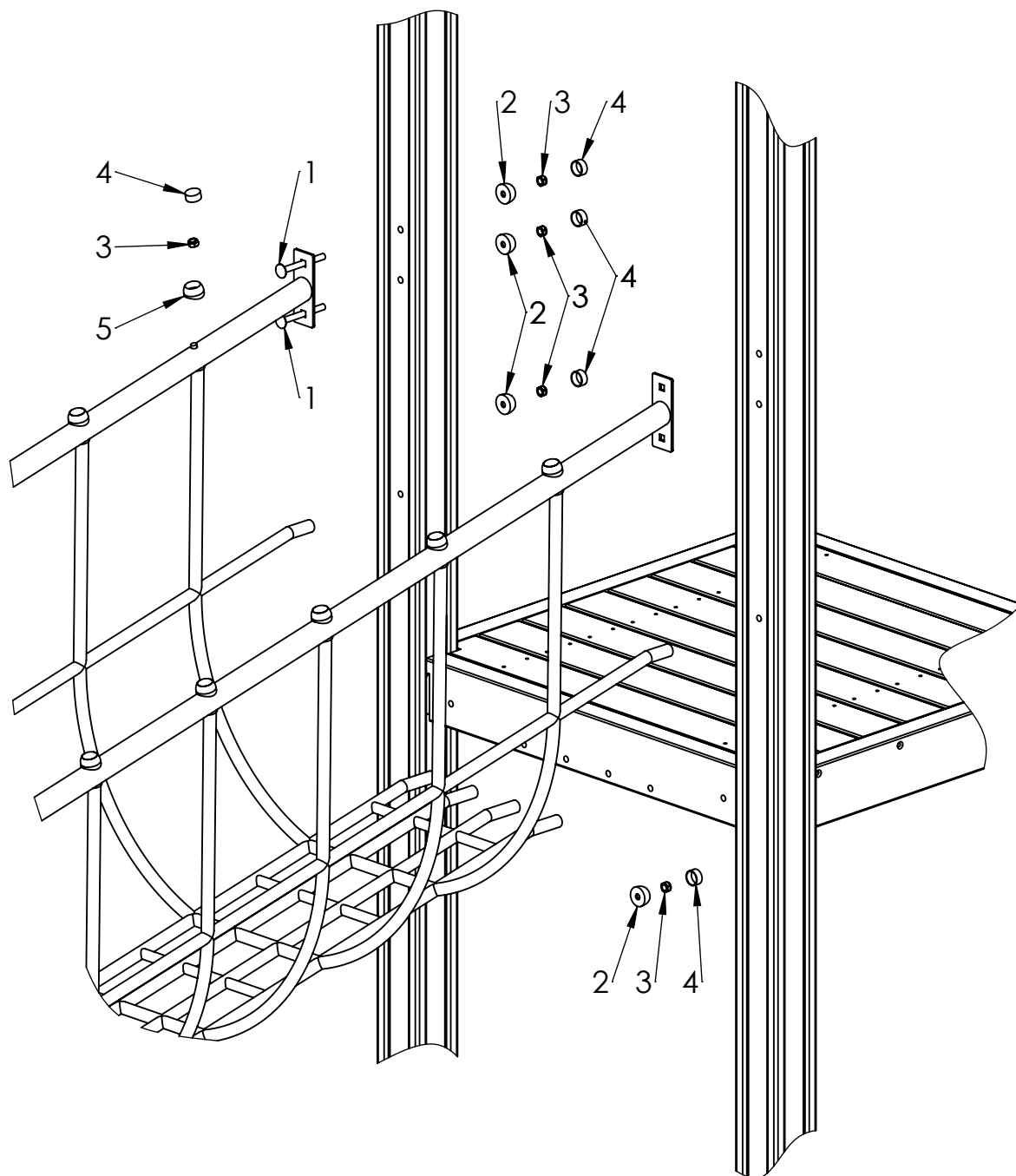
B

C

D

E

F



ITEM NO.	PART NUMBER
1	bolt DIN603 M10x100
2	nut cover M10
3	nut DIN985 M10
4	nut cover cap M10
5	nut cover for beam M10

UNLESS OTHERWISE SPECIFIED:  
DIMENSIONS ARE IN MILLIMETERS  
WEIGHT ARE IN KILOGRAMM

	NAME	SIGNATURE	DATE	REVISION
DRAWN	M.Rebase		16.01.2015	
APPV'D				

PART NUMBER / DWG NO.:

LM205

DESCRIPTION:

Play Centre REBECCA  
connecting bridge to post and platform

MATERIAL:

wood, metal, plastic

A4

WEIGHT:

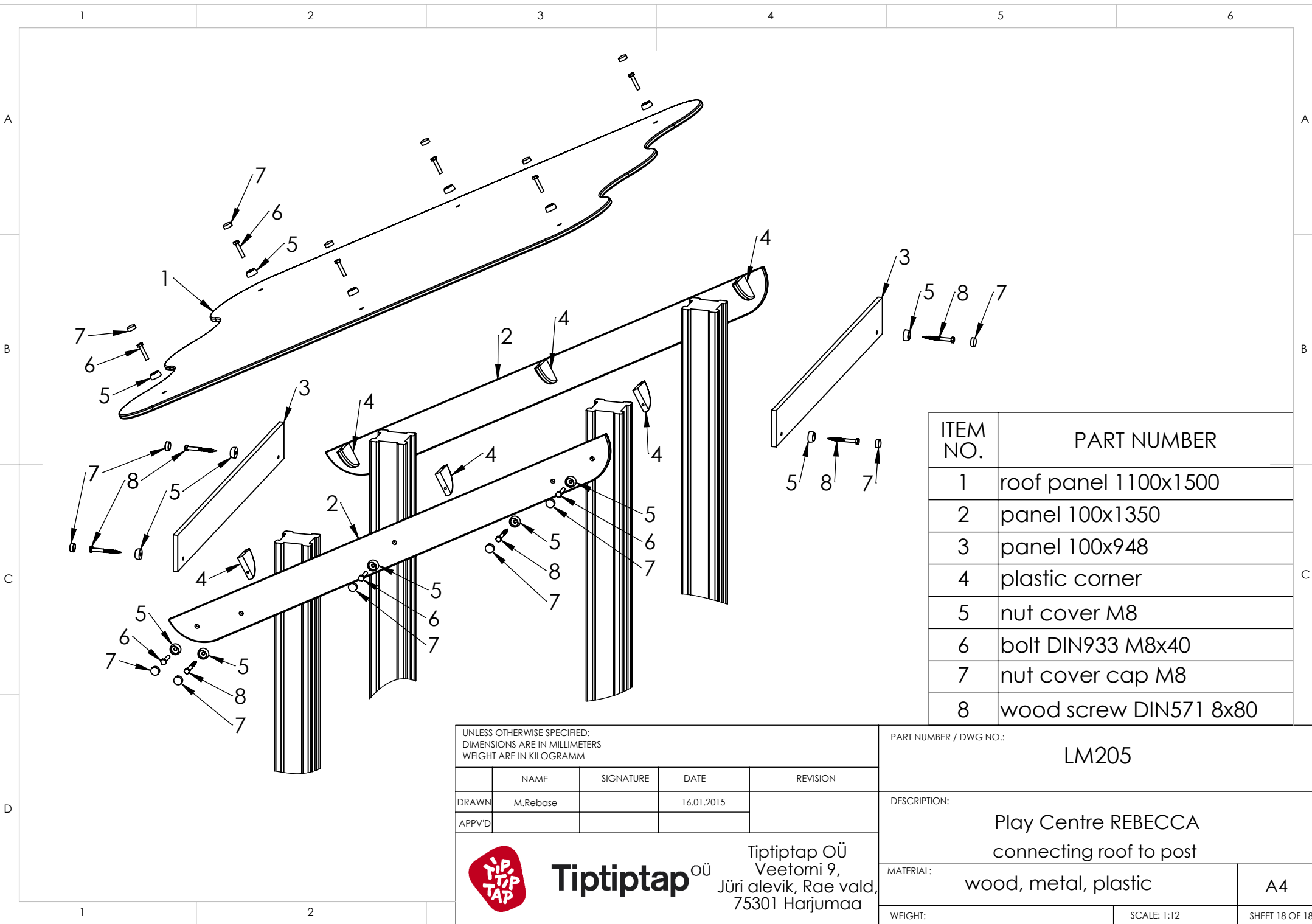
SCALE: 1:11

SHEET 17 OF 18



**Tiptaptap** OÜ

Tiptaptap OÜ  
Veetorni 9,  
Jüri alevik, Rae vald,  
75301 Harjumaa



ITEM NO.	PART NUMBER
1	roof panel 1100x1500
2	panel 100x1350
3	panel 100x948
4	plastic corner
5	nut cover M8
6	bolt DIN933 M8x40
7	nut cover cap M8
8	wood screw DIN571 8x80

UNLESS OTHERWISE SPECIFIED:  
 DIMENSIONS ARE IN MILLIMETERS  
 WEIGHT ARE IN KILOGRAMM

	NAME	SIGNATURE	DATE	REVISION
DRAWN	M.Rebase		16.01.2015	
APPV'D				



**Tiptiptap** OÜ  
 Tiptiptap OÜ  
 Veetorni 9,  
 Jüri alevik, Rae vald,  
 75301 Harjumaa

PART NUMBER / DWG NO.: <b>LM205</b>	
DESCRIPTION: <b>Play Centre REBECCA connecting roof to post</b>	
MATERIAL: wood, metal, plastic	A4
WEIGHT:	SCALE: 1:12 SHEET 18 OF 18