

A

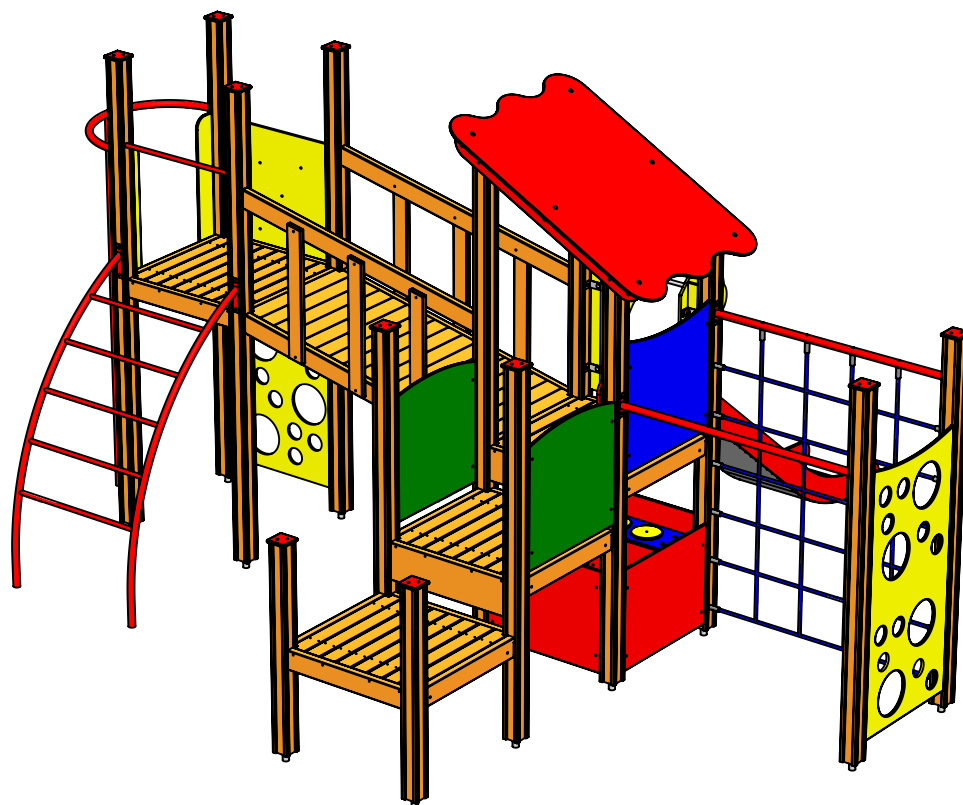
B

C

D

E

F



UNLESS OTHERWISE SPECIFIED:  
DIMENSIONS ARE IN MILLIMETERS  
WEIGHT ARE IN KILOGRAMM

PART NUMBER / DWG NO.:

LM204

	NAME	SIGNATURE	DATE	REVISION
DRAWN	M.Rebase		19.05.2014	
APPV'D				

DESCRIPTION:

Play Centre RAYMOND



**Tiptaptap** OÜ

Tiptaptap OÜ  
Veetorni 9,  
Jüri alevik, Rae vald,  
75301 Harjumaa

MATERIAL:

wood, metal, plastic

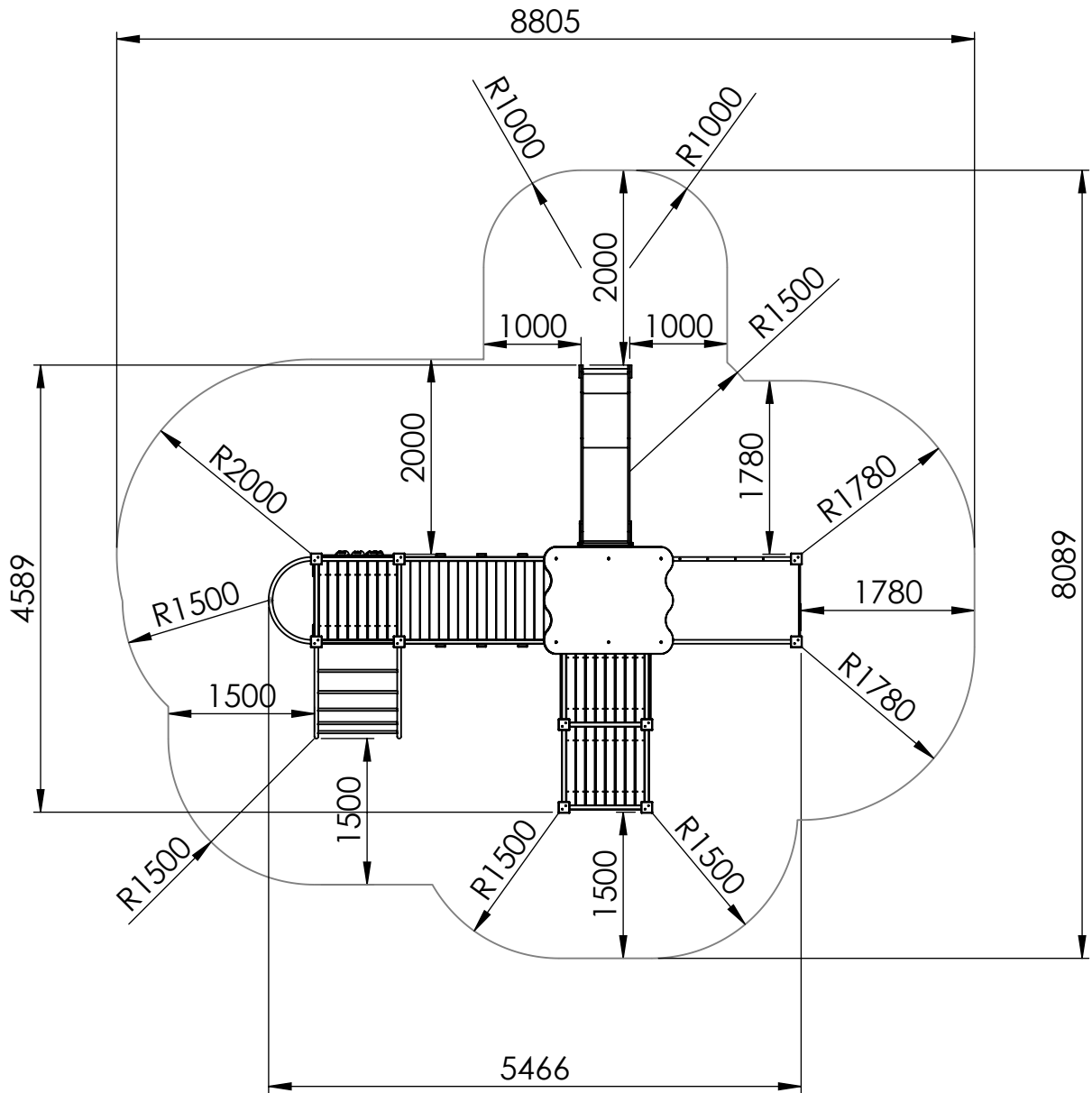
A4

WEIGHT:

SCALE: 1:35

SHEET 1 OF 18

# safety area



UNLESS OTHERWISE SPECIFIED:  
DIMENSIONS ARE IN MILLIMETERS  
WEIGHT ARE IN KILOGRAMM

PART NUMBER / DWG NO.:

LM204

	NAME	SIGNATURE	DATE	REVISION
DRAWN	M.Rebase		19.05.2014	
APPV'D				

DESCRIPTION:

Play Centre RAYMOND



**Tiptiptap** OÜ

Tiptiptap OÜ  
Veetorni 9,  
Jüri alevik, Rae vald,  
75301 Harjumaa

MATERIAL:

wood, metal, plastic

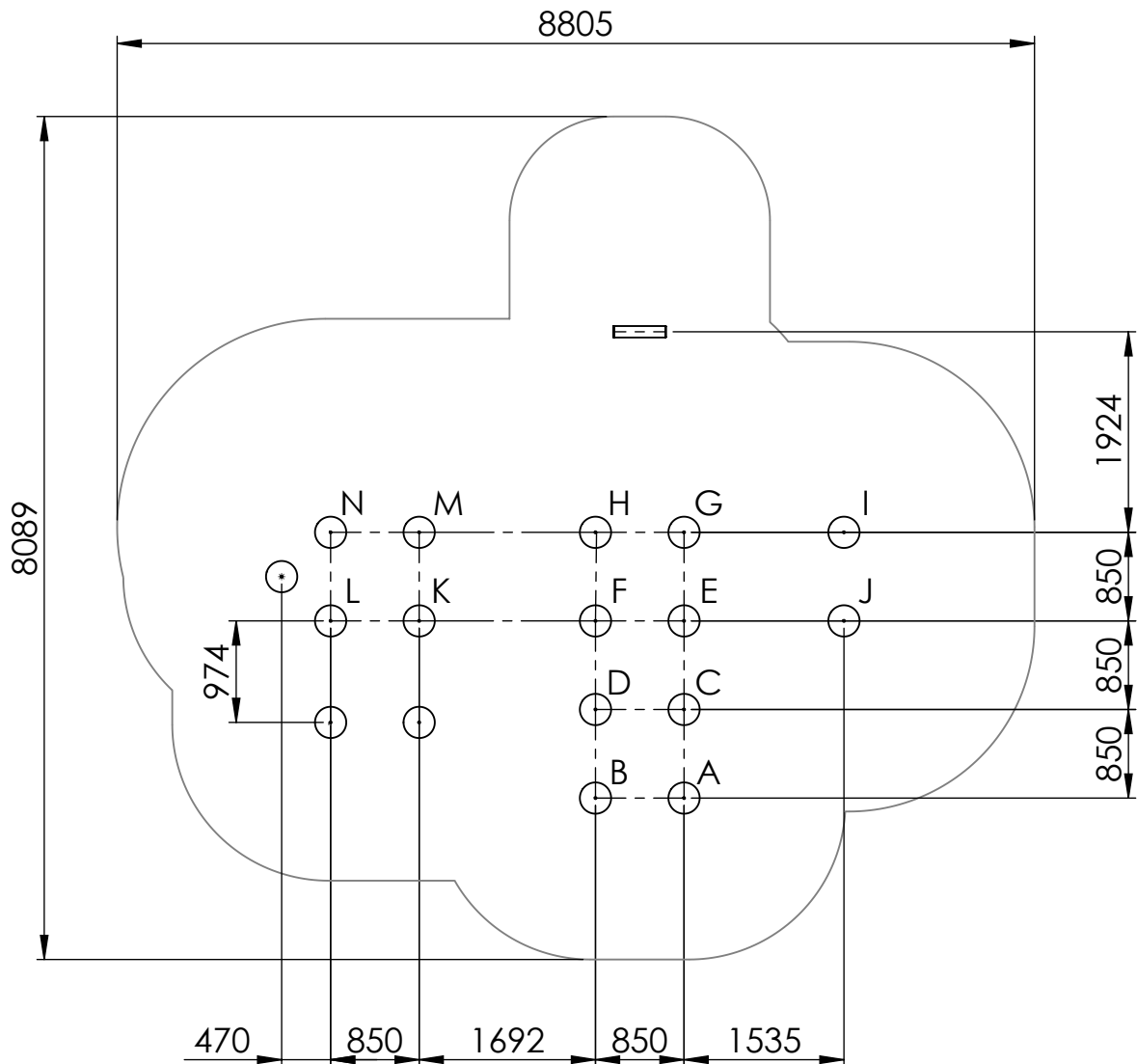
A4

WEIGHT:

SCALE: 1:70

SHEET 2 OF 18

# foundation



depth of foundation 500mm

UNLESS OTHERWISE SPECIFIED:  
DIMENSIONS ARE IN MILLIMETERS  
WEIGHT ARE IN KILOGRAMM

PART NUMBER / DWG NO.:

LM204

	NAME	SIGNATURE	DATE	REVISION
DRAWN	M.Rebase		19.05.2014	
APPV'D				

DESCRIPTION:

Play Centre RAYMOND



**Tiptaptap** OÜ

Tiptaptap OÜ  
Veetorni 9,  
Jüri alevik, Rae vald,  
75301 Harjumaa

MATERIAL:

wood, metal, plastic

A4

WEIGHT:

SCALE: 1:70

SHEET 3 OF 18

A

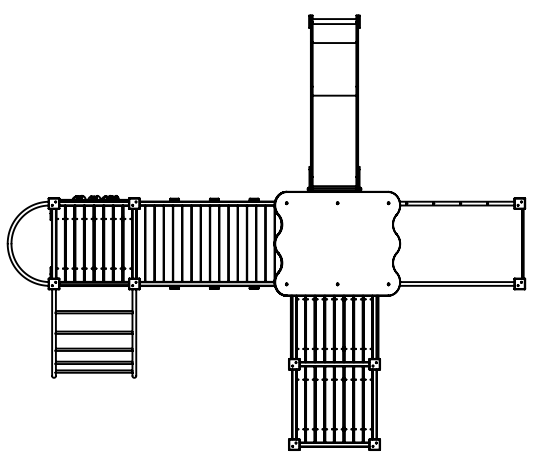
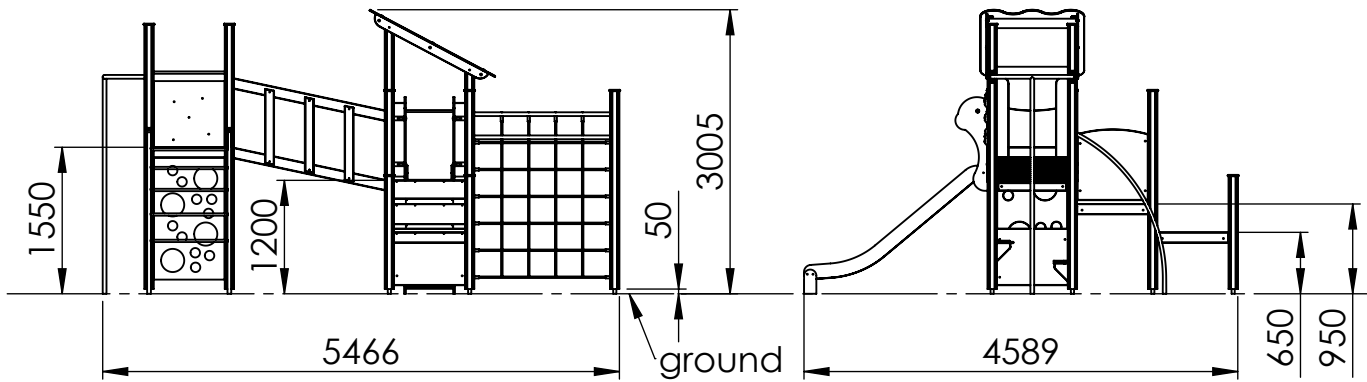
B

C

D

E

F



UNLESS OTHERWISE SPECIFIED:  
 DIMENSIONS ARE IN MILLIMETERS  
 WEIGHT ARE IN KILOGRAMM

	NAME	SIGNATURE	DATE	REVISION
DRAWN	M.Rebase		19.05.2014	
APPV'D				

PART NUMBER / DWG NO.:  
**LM204**

DESCRIPTION:  
**Play Centre RAYMOND**

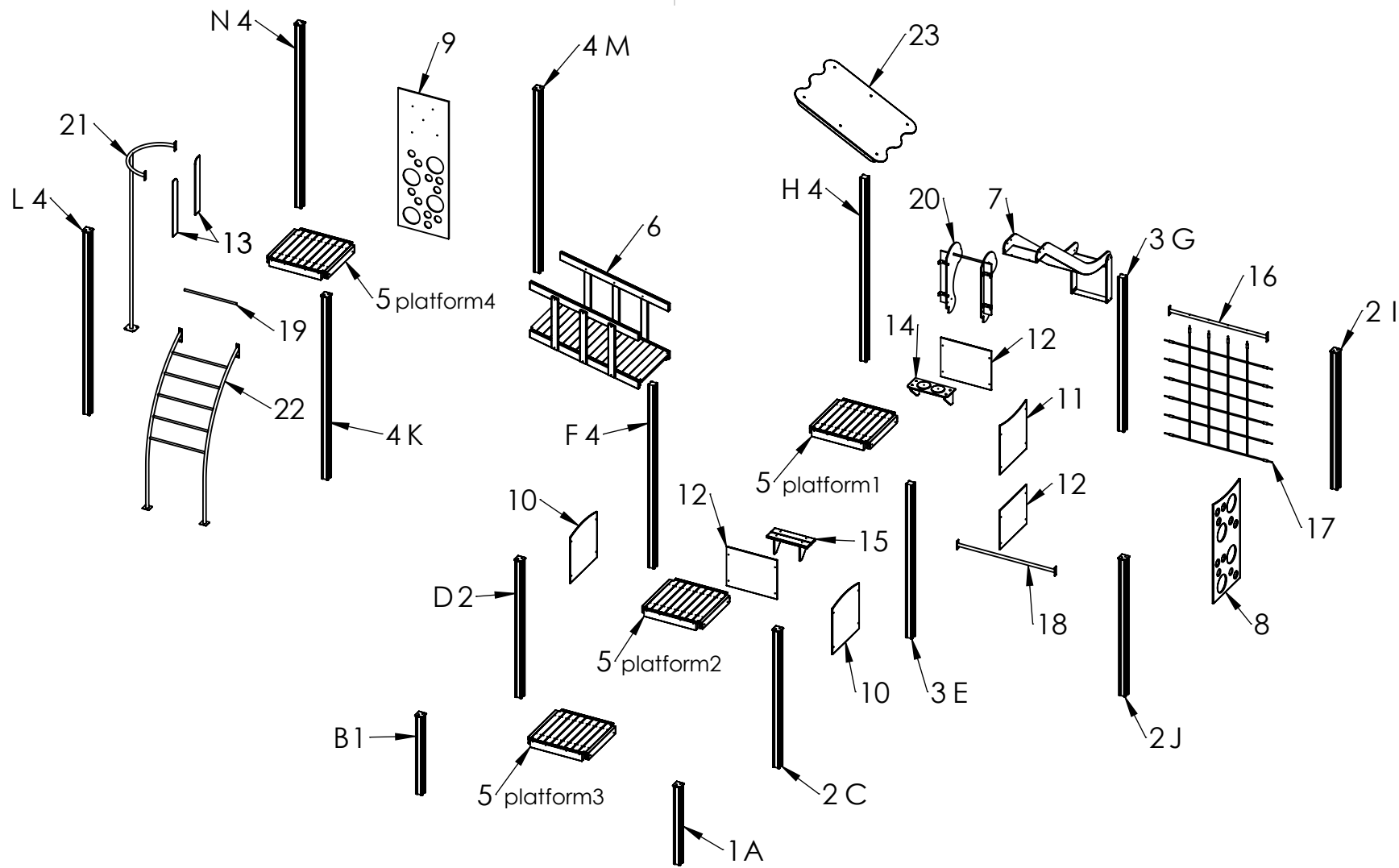


**Tiptaptap** OÜ  
 Veetorni 9,  
 Jüri alevik, Rae vald,  
 75301 Harjumaa

MATERIAL:  
 wood, metal, plastic

A4

WEIGHT: SCALE: 1:80 SHEET 4 OF 18



UNLESS OTHERWISE SPECIFIED:  
 DIMENSIONS ARE IN MILLIMETERS  
 WEIGHT ARE IN KILOGRAMM

	NAME	SIGNATURE	DATE	REVISION
DRAWN	M.Rebase		19.05.2014	
APPV'D				

**Tiptiptap** OÜ  
 Tiptiptap OÜ  
 Veetorni 9,  
 Jüri alevik, Rae vald,  
 75301 Harjumaa

PART NUMBER / DWG NO.:  
**LM204**

DESCRIPTION:  
**Play Centre RAYMOND**

MATERIAL:	wood, metal, plastic	A4
WEIGHT:		SCALE: 1:80
		SHEET 5 OF 18

ITEM NO.	PART NUMBER	DESCRIPTION	QTY.
A 1	post 98x98x1200	laminated wood	2
2	post 98x98x2100	laminated wood	4
3	post 98x98x2350	laminated wood	2
4	post 98x98x2800	laminated wood	6
5	platform	laminated wood, metal	4
6	inclined bridge	laminated wood	1
7	slide h_1200	stainless steel, PE plastic	1
B 8	climbing wall h_750x1520	plywood	1
9	climbing wall h_750x2100	plywood	1
10	panel 750x750	plywood	2
11	panel 750x750	plywood	1
12	panel 750x600	plywood	3
13	panel 850x126	plywood	2
14	playcorner-kitchen	plywood, plastic	1
15	playcorner-bench	laminated wood, plastic	1
C 16	beam 40x1455 for net	painted steel	1
17	climbing net	PP covered steel wire	1
18	beam 40x1455	painted steel	1
19	guardrail $\phi$ 25x770	painted steel	1
20	slide guard block	plywood, metal, plastic	1
21	climbing pole	painted steel	1
22	arch ladder	galvanized painted steel	1
D 23	roof inclined	plywood	1

UNLESS OTHERWISE SPECIFIED:  
DIMENSIONS ARE IN MILLIMETERS  
WEIGHT ARE IN KILOGRAMM

PART NUMBER / DWG NO.:

LM204

	NAME	SIGNATURE	DATE	REVISION
DRAWN	M.Rebase		19.05.2014	
APPV'D				

DESCRIPTION:

Play Centre RAYMOND

MATERIAL:

wood, metal, plastic

A4

WEIGHT:

SCALE: 1:80

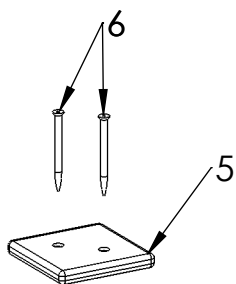
SHEET 6 OF 18



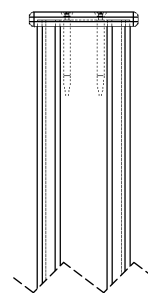
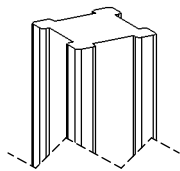
**Tiptiptap** OÜ

Tiptiptap OÜ  
Veetorni 9,  
Jüri alevik, Rae vald,  
75301 Harjumaa

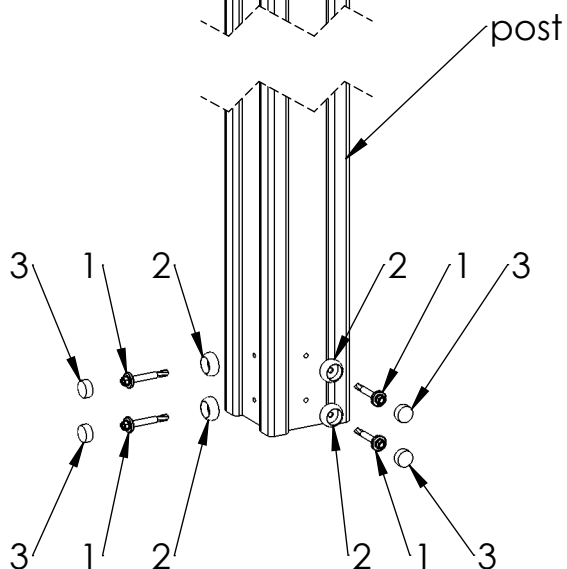
A



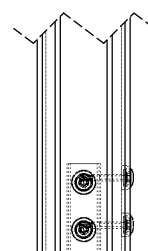
B



C



ground



50

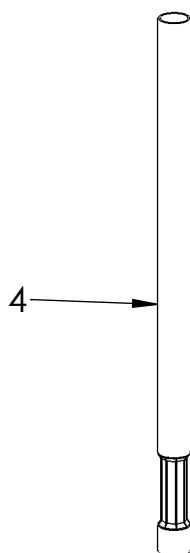
concrete

200

455

500

D



Ø 300

E

ITEM NO.	PART NUMBER
1	screw DIN7504K 5,5x50
2	nut cover M6
3	nut cover cap M6
4	metal ground fixing L_600
5	plastic cap 115x115
6	woodscrew 6 x 90

UNLESS OTHERWISE SPECIFIED:  
DIMENSIONS ARE IN MILLIMETERS  
WEIGHT ARE IN KILOGRAMM

PART NUMBER / DWG NO.:

LM204

	NAME	SIGNATURE	DATE	REVISION
DRAWN	M.Rebase		19.05.2014	
APPV'D				

DESCRIPTION:

Play Centre RAYMOND  
connecting metal ground fixing to post

F



**Tiptaptap** OÜ

Tiptaptap OÜ  
Veetorni 9,  
Jüri alevik, Rae vald,  
75301 Harjumaa

MATERIAL:

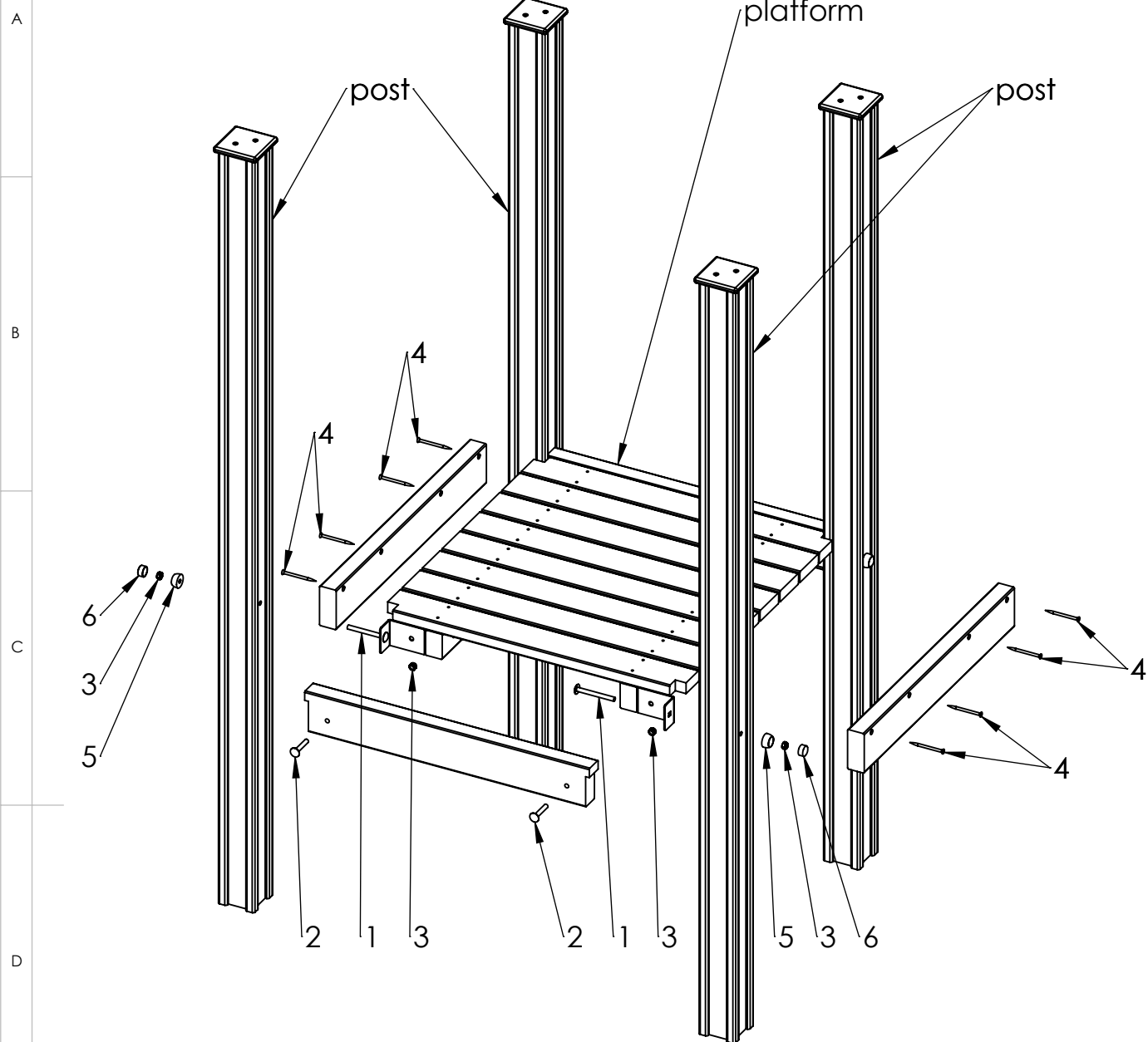
wood, metal, plastic

A4

WEIGHT:

SCALE: 1:8

SHEET 7 OF 18



E

ITEM NO.	PART NUMBER
1	bolt DIN603 M10x100
2	bolt DIN603 M10x60
3	nut DIN985 M10
4	woodscrew 6 x 90
5	nut cover M10
6	nut cover cap M10

F

UNLESS OTHERWISE SPECIFIED:  
DIMENSIONS ARE IN MILLIMETERS  
WEIGHT ARE IN KILOGRAMM

	NAME	SIGNATURE	DATE	REVISION
DRAWN	M.Rebase		19.05.2014	
APPV'D				

PART NUMBER / DWG NO.:

LM204

DESCRIPTION:

Play Centre RAYMOND  
connecting platform to post

MATERIAL:

wood, metal, plastic

A4

WEIGHT:

SCALE: 1:15

SHEET 8 OF 18



**Tiptiptap** OÜ

Tiptiptap OÜ  
Veetorni 9,  
Jüri alevik, Rae vald,  
75301 Harjumaa



A

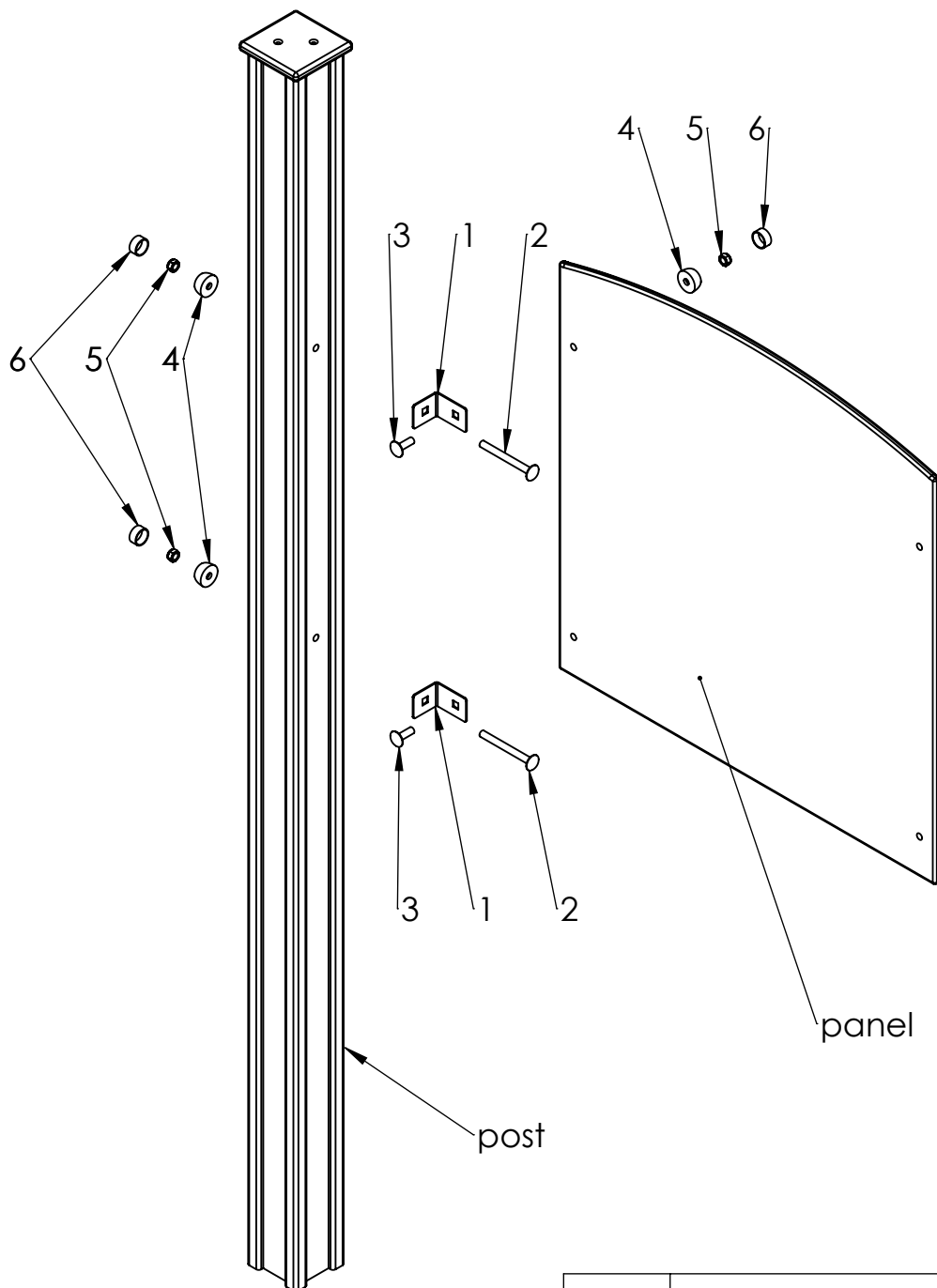
B

C

D

E

F



ITEM NO.	PART NUMBER
1	corner 48x60
2	bolt DIN603 M10x100
3	bolt DIN603 M10x30
4	nut cover M10
5	nut DIN985 M10
6	nut cover cap M10

UNLESS OTHERWISE SPECIFIED:  
DIMENSIONS ARE IN MILLIMETERS  
WEIGHT ARE IN KILOGRAMM

PART NUMBER / DWG NO.:

LM204

	NAME	SIGNATURE	DATE	REVISION
DRAWN	M.Rebase		19.05.2014	
APPV'D				

DESCRIPTION:

Play Centre RAYMOND  
connecting panel to post

MATERIAL:

wood, metal, plastic

A4

WEIGHT:

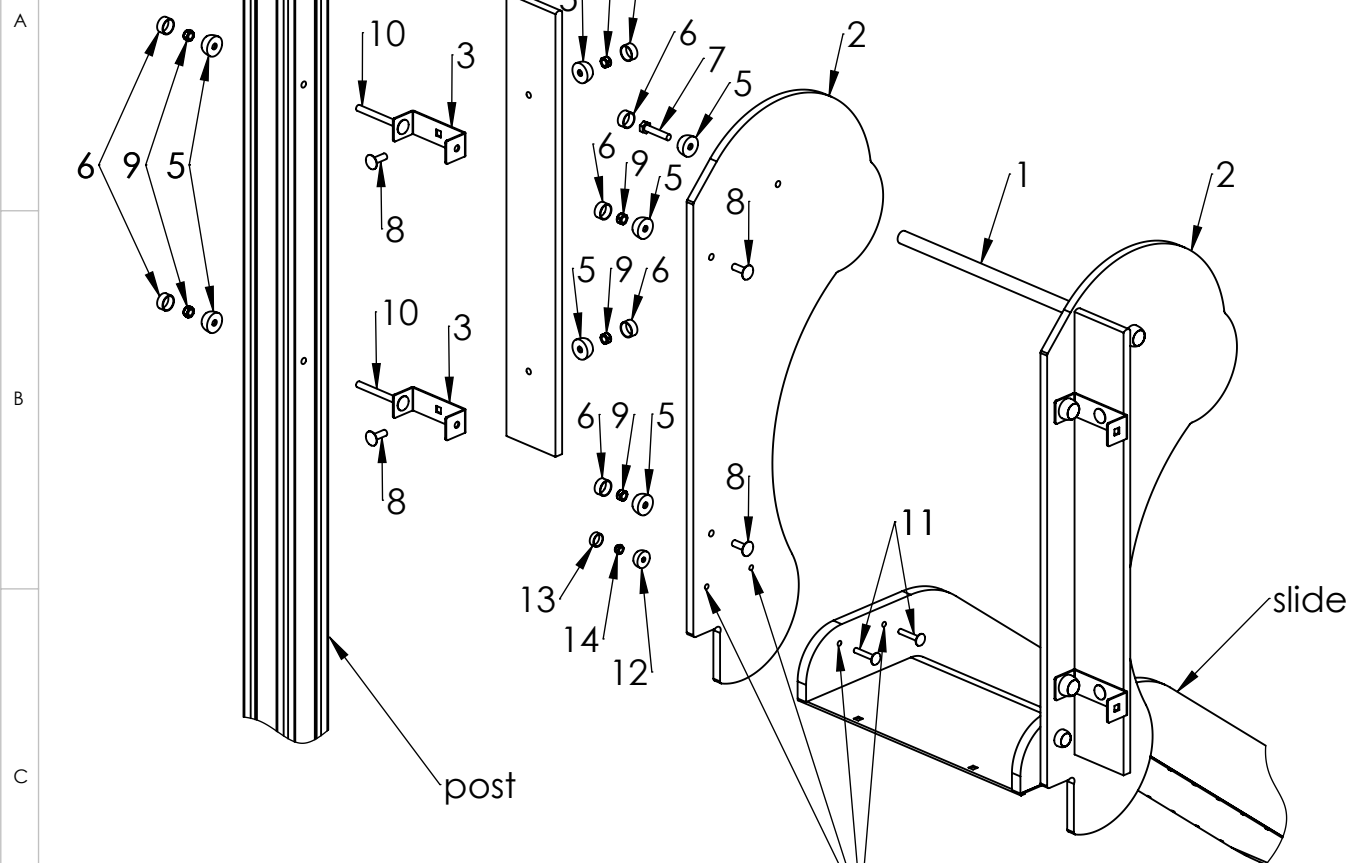
SCALE: 1:10

SHEET 9 OF 18



**Tiptap** OÜ

Tiptap OÜ  
Veetorni 9,  
Jüri alevik, Rae vald,  
75301 Harjumaa



It is important to drill 8,5mm holes through side panel and slide.

ITEM NO.	PART NUMBER
1	slide guardrail
2	slide side panel
3	slide side panel fixing 40x120
4	side panel 110x780
5	nut cover M10
6	nut cover cap M10
7	bolt DIN931 M10x50
8	bolt DIN603 M10x30
9	nut DIN985 M10
10	bolt DIN603 M10x100
11	bolt DIN603 M8x45
12	nut cover M8
13	nut cover cap M8
14	nut DIN985 M8

UNLESS OTHERWISE SPECIFIED:  
DIMENSIONS ARE IN MILLIMETERS  
WEIGHT ARE IN KILOGRAMM

PART NUMBER / DWG NO.:

LM204

	NAME	SIGNATURE	DATE	REVISION
DRAWN	M.Rebase		19.05.2014	
APPV'D				

DESCRIPTION:

Play Centre RAYMOND  
connecting slide guard block to post

MATERIAL:

wood, metal, plastic

A4

WEIGHT:

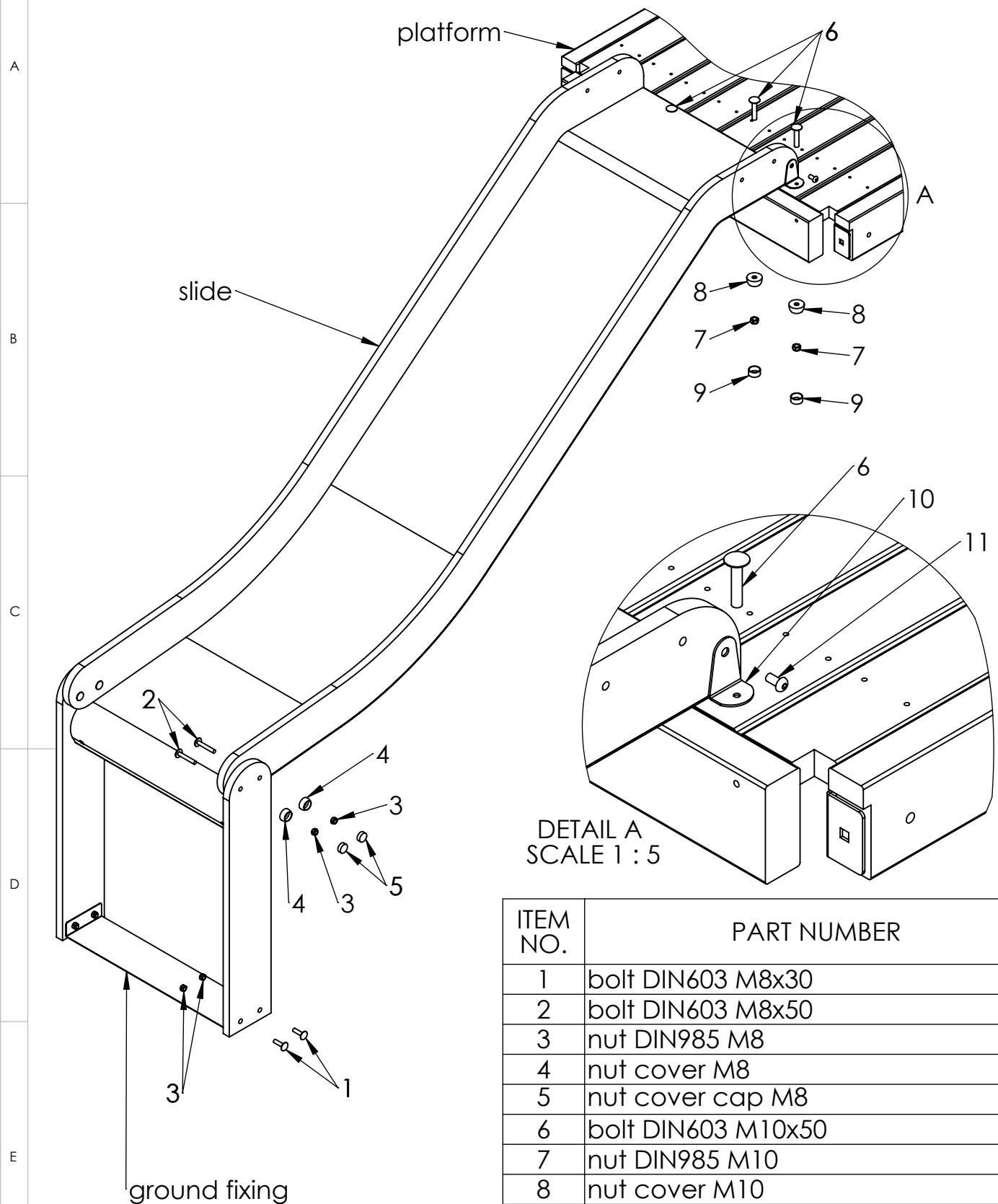
SCALE: 1:12

SHEET 10 OF 18



**Tiptap** OÜ

Tiptap OÜ  
Veetorni 9,  
Jüri alevik, Rae vald,  
75301 Harjumaa



DETAIL A  
SCALE 1 : 5

ITEM NO.	PART NUMBER
1	bolt DIN603 M8x30
2	bolt DIN603 M8x50
3	nut DIN985 M8
4	nut cover M8
5	nut cover cap M8
6	bolt DIN603 M10x50
7	nut DIN985 M10
8	nut cover M10
9	nut cover cap M10
10	corner 58x30
11	metal screw DIN 7380 M8x16

UNLESS OTHERWISE SPECIFIED:  
DIMENSIONS ARE IN MILLIMETERS  
WEIGHT ARE IN KILOGRAMM

PART NUMBER / DWG NO.:

LM204

	NAME	SIGNATURE	DATE	REVISION
DRAWN	M.Rebase		19.05.2014	
APPV'D				

DESCRIPTION:

Play Centre RAYMOND  
connecting slide to platform

MATERIAL:

wood, metal, plastic

A4

WEIGHT:

SCALE: 1:12

SHEET 11 OF 18



**Tiptaptap** OÜ

Tiptaptap OÜ  
Veetorni 9,  
Jüri alevik, Rae vald,  
75301 Harjumaa

A

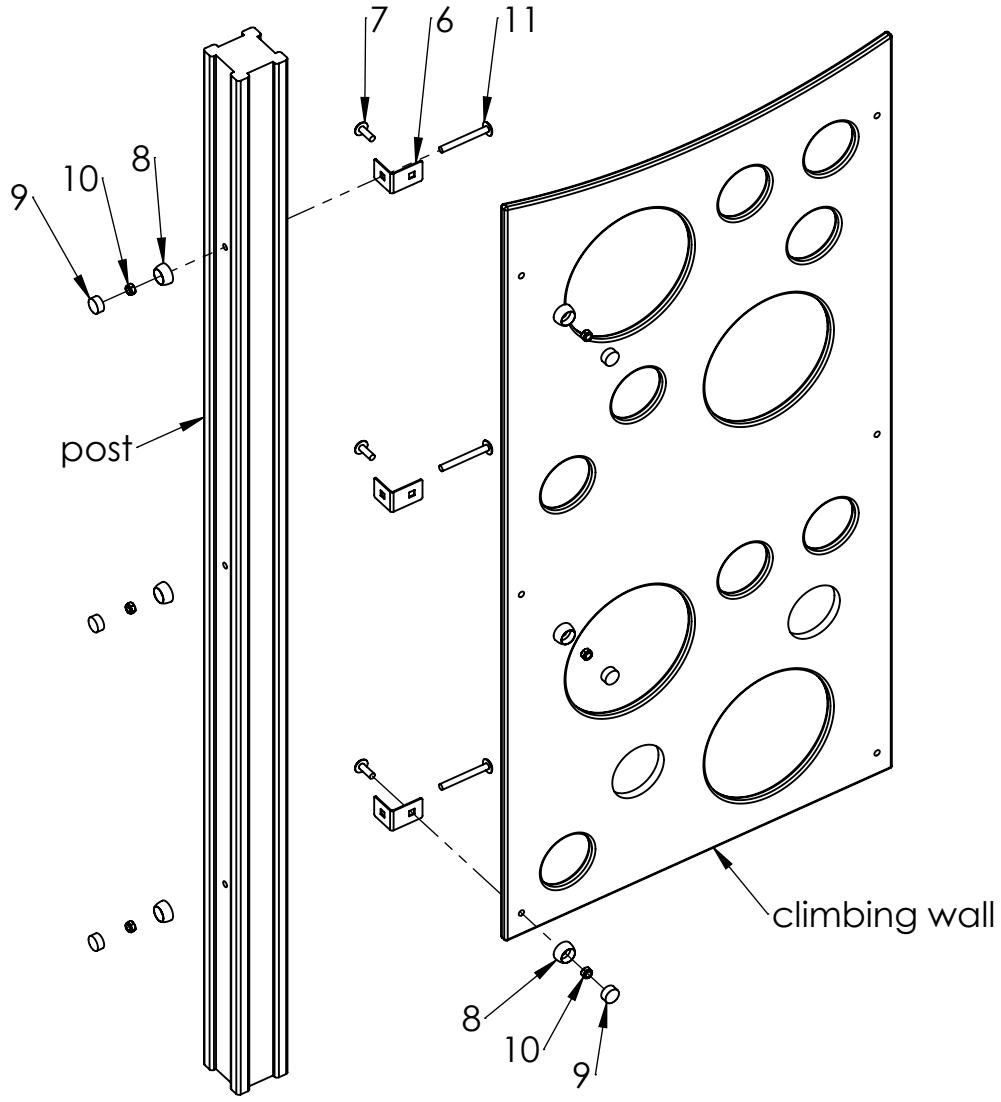
B

C

D

E

F



ITEM NO.	PART NUMBER
1	corner 48x60
2	bolt DIN603 M10x30
3	bolt DIN603 M10x90
4	nut cover M10
5	nut DIN985 M10
6	nut cover cap M10

UNLESS OTHERWISE SPECIFIED: DIMENSIONS ARE IN MILLIMETERS WEIGHT ARE IN KILOGRAMM				
	NAME	SIGNATURE	DATE	REVISION
DRAWN	M.Rebase		19.05.2014	
APPV'D				

PART NUMBER / DWG NO.:  
**LM204**

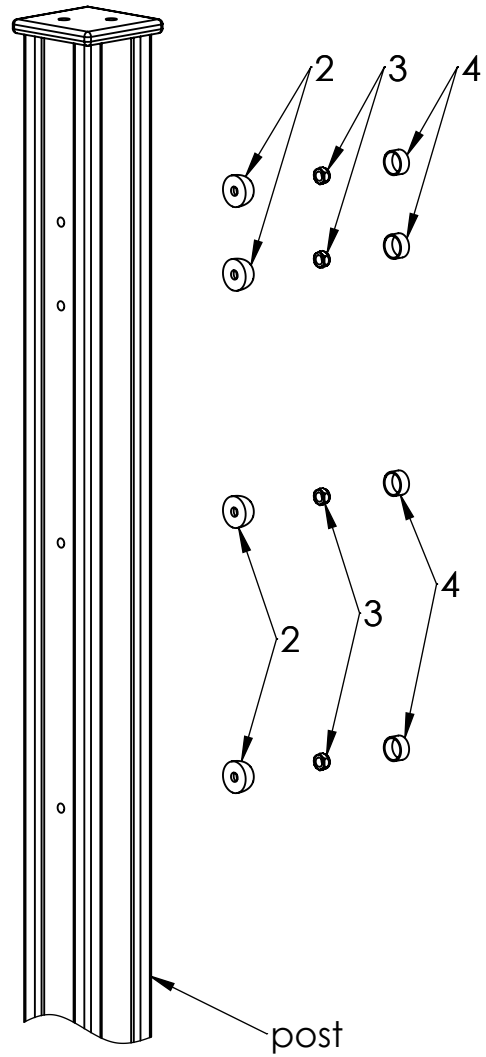
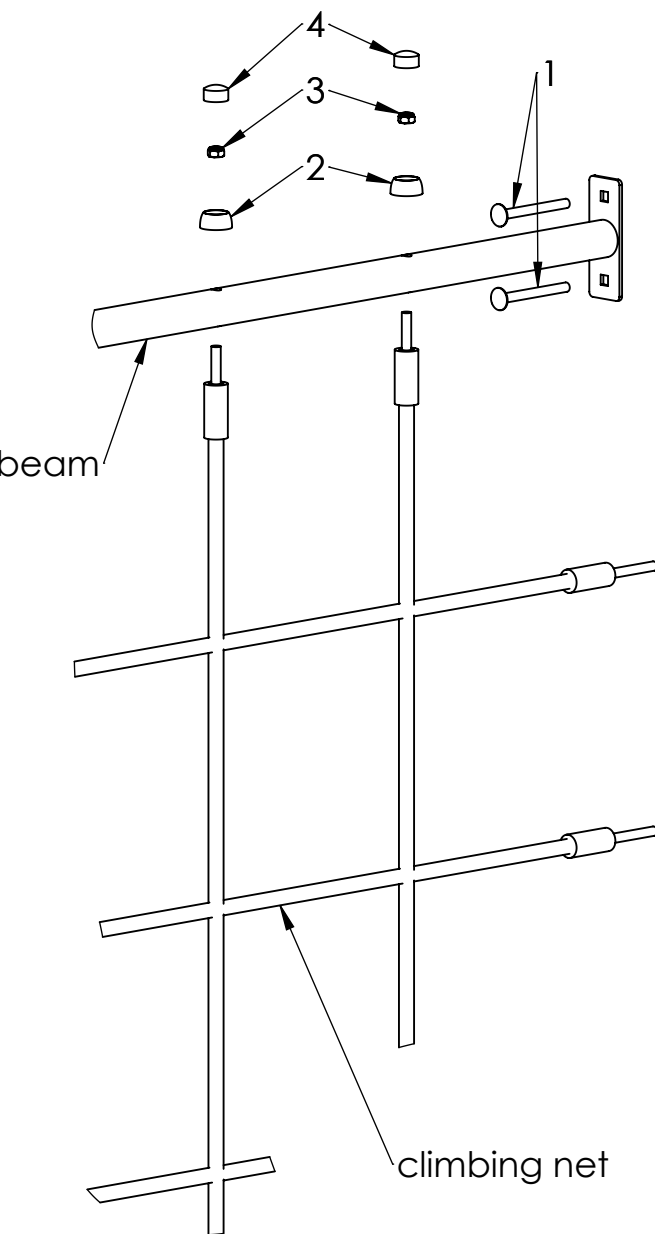
DESCRIPTION:  
**Play Centre RAYMOND  
connecting climbing wall to post**



**Tiptap** OÜ

Tiptap OÜ  
Veetorni 9,  
Jüri alevik, Rae vald,  
75301 Harjumaa

MATERIAL:	wood, metal, plastic	A4
WEIGHT:	SCALE: 1:12	SHEET 12 OF 18



ITEM NO.	PART NUMBER
1	bolt DIN603 M10x100
2	nut cover M10
3	nut DIN985 M10
4	nut cover cap M10
6	beam 40x1455 for net

UNLESS OTHERWISE SPECIFIED:  
DIMENSIONS ARE IN MILLIMETERS  
WEIGHT ARE IN KILOGRAMM

PART NUMBER / DWG NO.:

LM204

	NAME	SIGNATURE	DATE	REVISION
DRAWN	M.Rebase		19.05.2014	
APPV'D				

DESCRIPTION:

Play Centre RAYMOND  
connecting beam and climbing net to post

MATERIAL:

wood, metal, plastic

A4

WEIGHT:

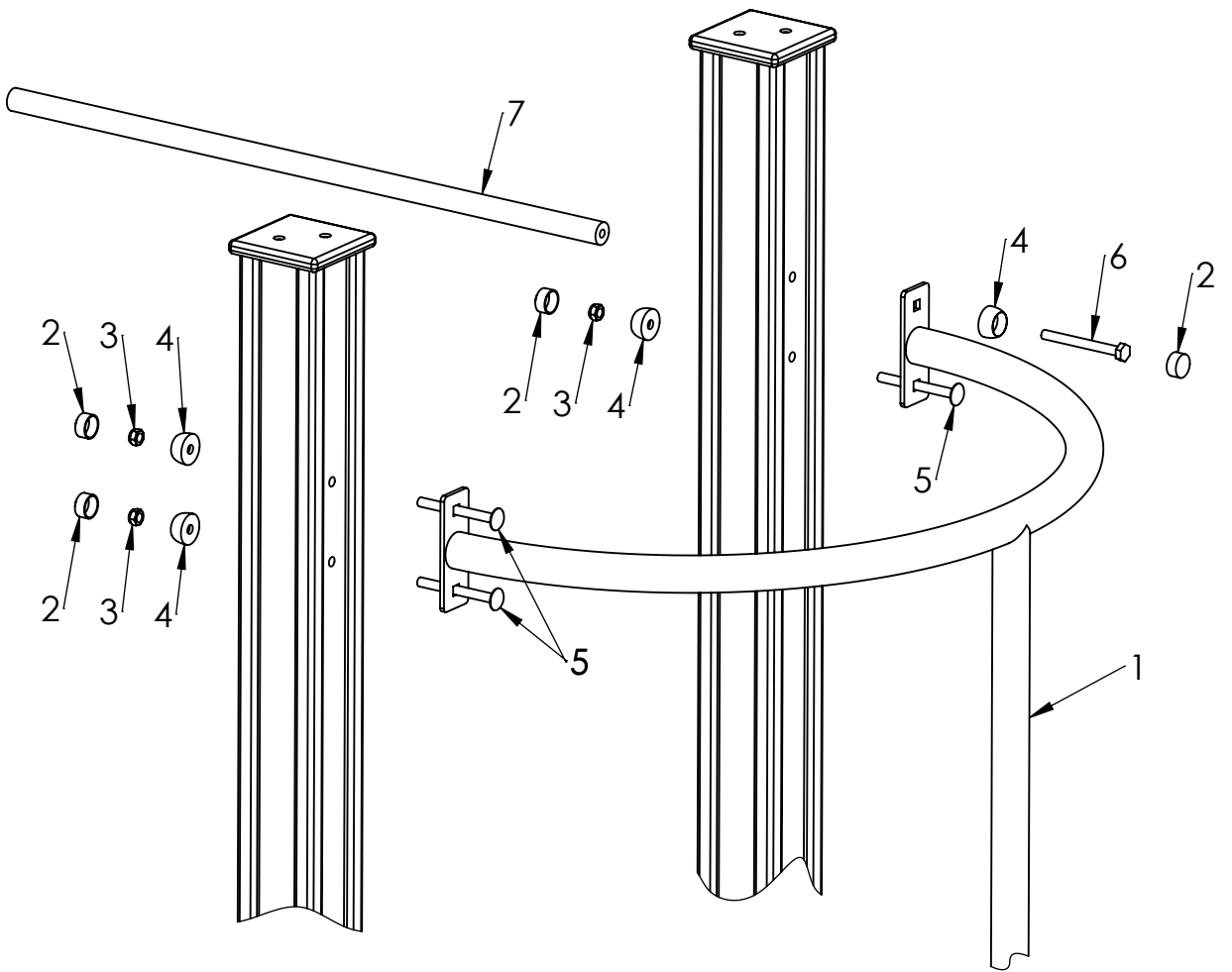
SCALE: 1:8

SHEET 13 OF 18



**Tiptaptap** OÜ

Tiptaptap OÜ  
Veetorni 9,  
Jüri alevik, Rae vald,  
75301 Harjumaa



ITEM NO.	PART NUMBER
1	climbing pole
2	nut cover cap M10
3	nut DIN985 M10
4	nut cover M10
5	bolt DIN603 M10x100
6	bolt DIN931 M10x100
7	guardrail $\varnothing$ 25x770

UNLESS OTHERWISE SPECIFIED:  
DIMENSIONS ARE IN MILLIMETERS  
WEIGHT ARE IN KILOGRAMM

PART NUMBER / DWG NO.:

LM204

	NAME	SIGNATURE	DATE	REVISION
DRAWN	M.Rebase		19.05.2014	
APPV'D				

DESCRIPTION:

Play Centre RAYMOND  
connecting climbing pole and guardrail to post

MATERIAL:

wood, metal, plastic

A4

WEIGHT:

SCALE: 1:8

SHEET 14 OF 18



**Tiptaptap** OÜ

Tiptaptap OÜ  
Veetorni 9,  
Jüri alevik, Rae vald,  
75301 Harjumaa

A

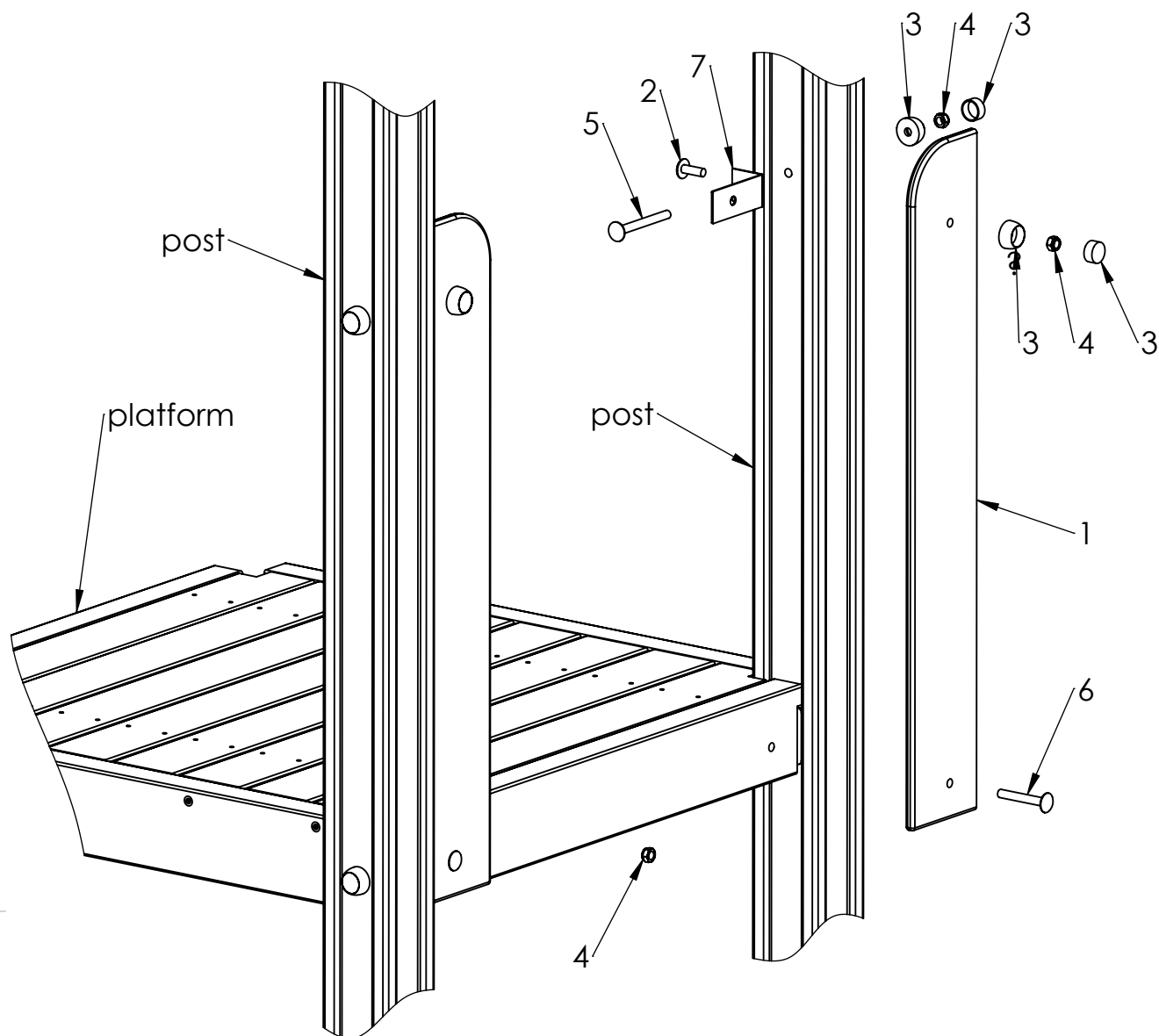
B

C

D

E

F



ITEM NO.	PART NUMBER
1	panel 850x126
2	bolt DIN603 M10x30
3	nut cover with cap
4	nut DIN985 M10
5	bolt DIN603 M10x100
6	bolt DIN603 M10x70
7	Liurenni kinnitus

UNLESS OTHERWISE SPECIFIED:  
DIMENSIONS ARE IN MILLIMETERS  
WEIGHT ARE IN KILOGRAMM

	NAME	SIGNATURE	DATE	REVISION
DRAWN	M.Rebase		19.05.2014	
APPV'D				

PART NUMBER / DWG NO.:

LM204

DESCRIPTION:

Play Centre RAYMOND  
connecting climbing pole side panels

MATERIAL:

wood, metal, plastic

A4

WEIGHT:

SCALE: 1:8

SHEET 15 OF 18



**Tiptiptap** OÜ

Tiptiptap OÜ  
Veetorni 9,  
Jüri alevik, Rae vald,  
75301 Harjumaa

A

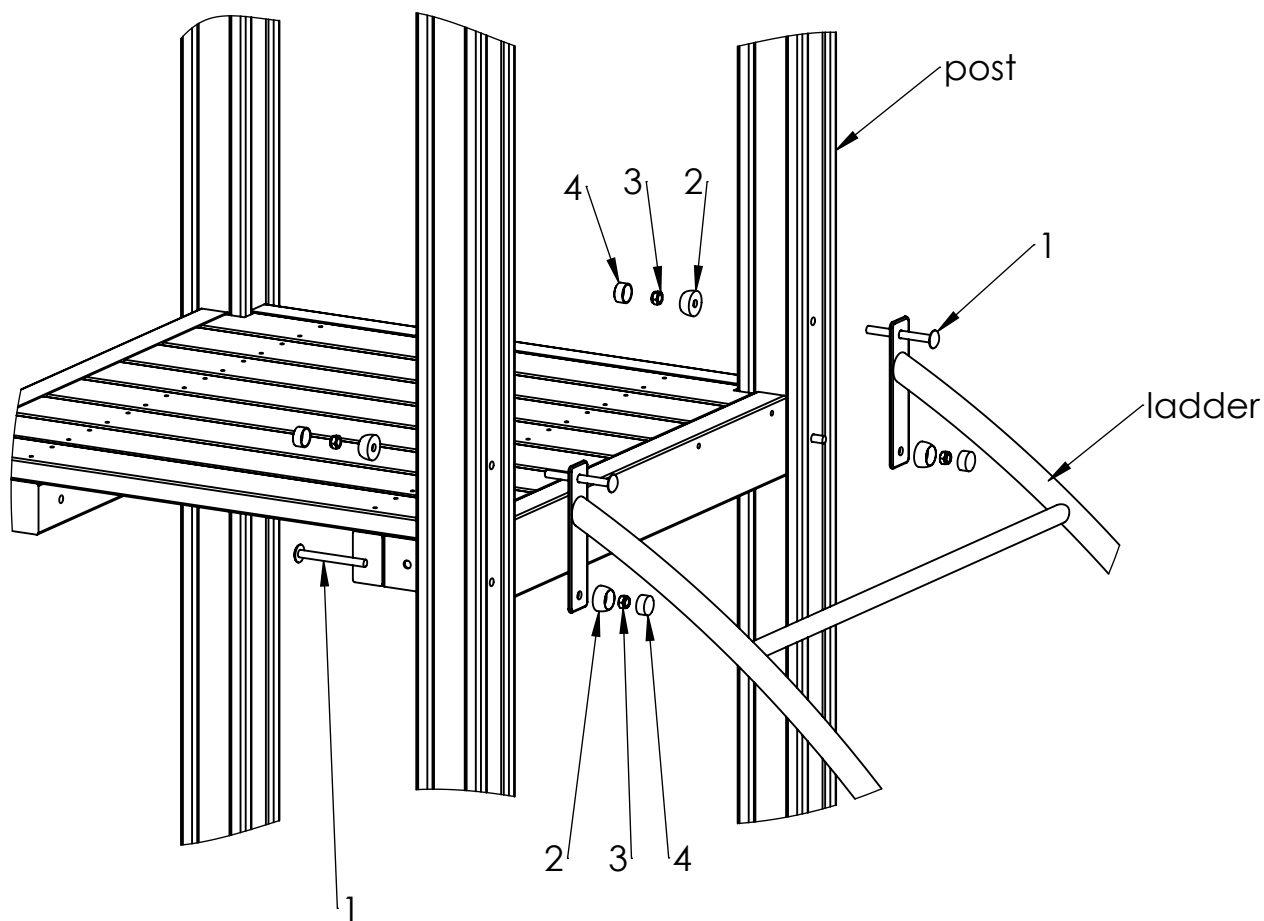
B

C

D

E

F



ITEM NO.	ITEM NAME
1	bolt DIN603 M10x100
2	nut cover
3	nut DIN 985 NYLOC M10
4	nut cover cap

UNLESS OTHERWISE SPECIFIED:  
DIMENSIONS ARE IN MILLIMETERS  
WEIGHT ARE IN KILOGRAMM

PART NUMBER / DWG NO.:

LM204

	NAME	SIGNATURE	DATE	REVISION
DRAWN	M.Rebase		19.05.2014	
APPV'D				

DESCRIPTION:

Play Centre RAYMOND  
connecting arch ladder to post

MATERIAL:

wood, metal, plastic

A4

WEIGHT:

SCALE: 1:10

SHEET 16 OF 18



**Tiptaptap** OÜ

Tiptaptap OÜ  
Veetorni 9,  
Jüri alevik, Rae vald,  
75301 Harjumaa



A

B

C

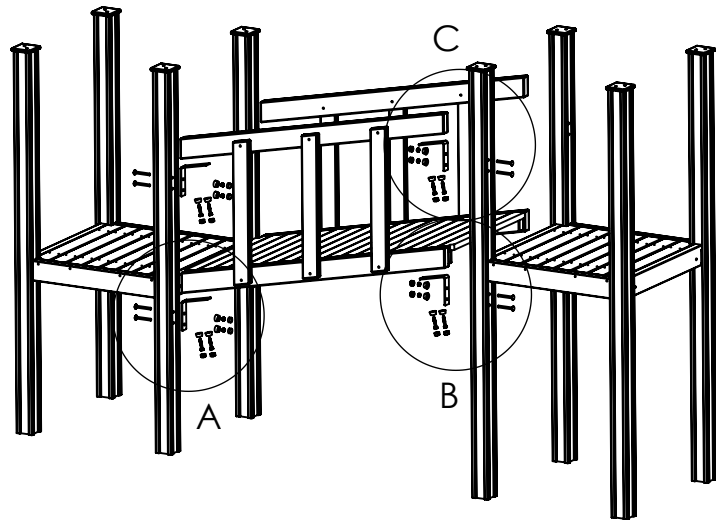
D

A

B

C

D

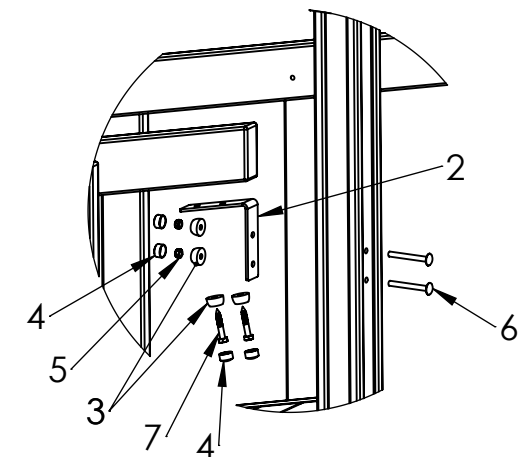
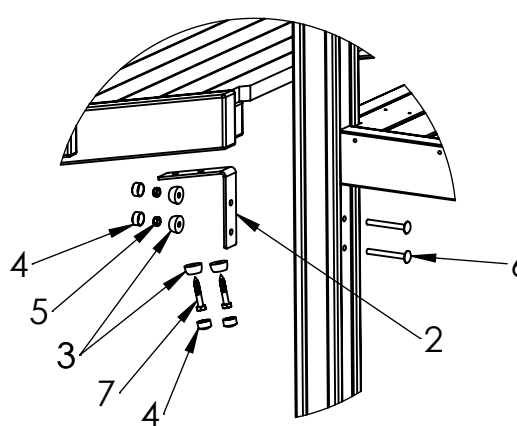
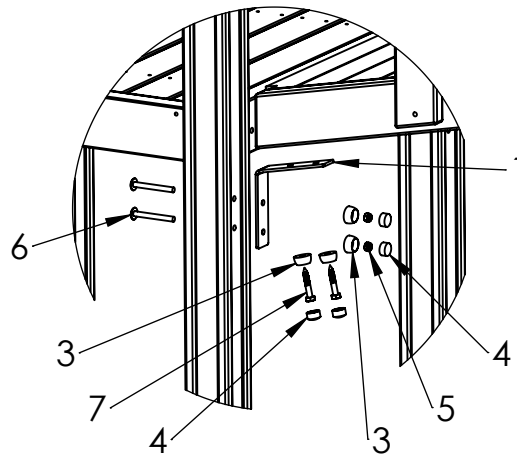


ITEM NO.	PART NUMBER
1	corner 160x160x45 102°
2	corner 160x160x45 78°
3	nut cover M10
4	nut cover cap M10
5	nut DIN985 M10
6	bolt DIN603 M10x90
7	wood screw DIN571 10x60

DETAIL A  
SCALE 1 : 15

DETAIL B  
SCALE 1 : 15

DETAIL C  
SCALE 1 : 15



UNLESS OTHERWISE SPECIFIED:  
DIMENSIONS ARE IN MILLIMETERS  
WEIGHT ARE IN KILOGRAMM

	NAME	SIGNATURE	DATE	REVISION
DRAWN	M.Rebase		19.05.2014	
APPV'D				

PART NUMBER / DWG NO.:  
**LM204**

DESCRIPTION:  
**Play Centre RAYMOND  
connecting bridge to post**



**Tiptaptap** OÜ  
Tiptaptap OÜ  
Veetorni 9,  
Jüri alevik, Rae vald,  
75301 Harjumaa

MATERIAL:	wood, metal, plastic	A4
WEIGHT:	SCALE: 1:40	SHEET 17 OF 18

A

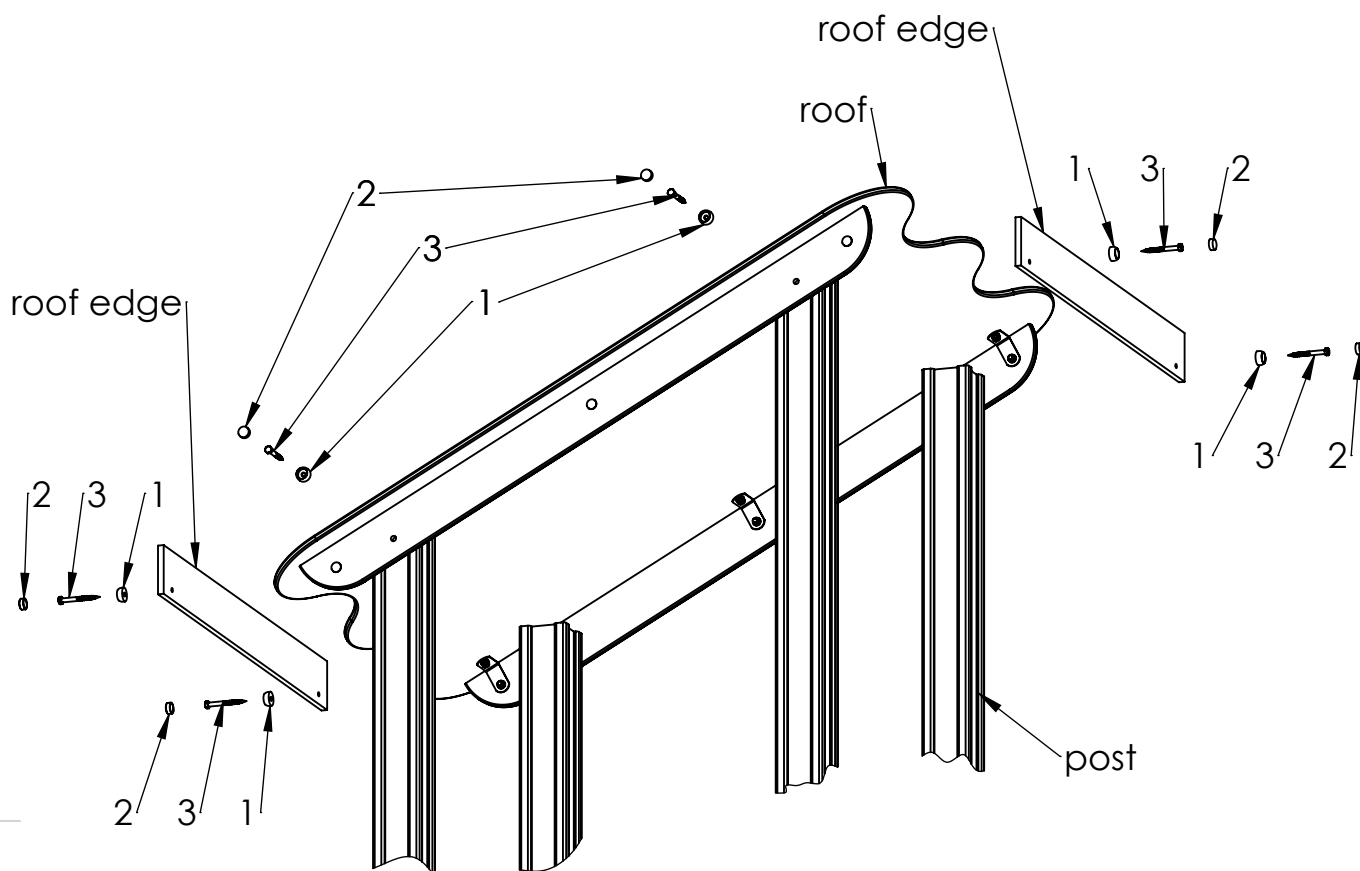
B

C

D

E

F



ITEM NO.	PART NUMBER
1	nut cover M8
2	nut cover cap M8
3	wood screw DIN571 8x80

UNLESS OTHERWISE SPECIFIED:  
DIMENSIONS ARE IN MILLIMETERS  
WEIGHT ARE IN KILOGRAMM

PART NUMBER / DWG NO.:

LM204

	NAME	SIGNATURE	DATE	REVISION
DRAWN	M.Rebase		19.05.2014	
APPV'D				

DESCRIPTION:

Play Centre RAYMOND



**Tiptaptap** OÜ

Tiptaptap OÜ  
Veetorni 9,  
Jüri alevik, Rae vald,  
75301 Harjumaa

MATERIAL:

wood, metal, plastic

A4

WEIGHT:

SCALE: 1:15

SHEET 18 OF 18