

A

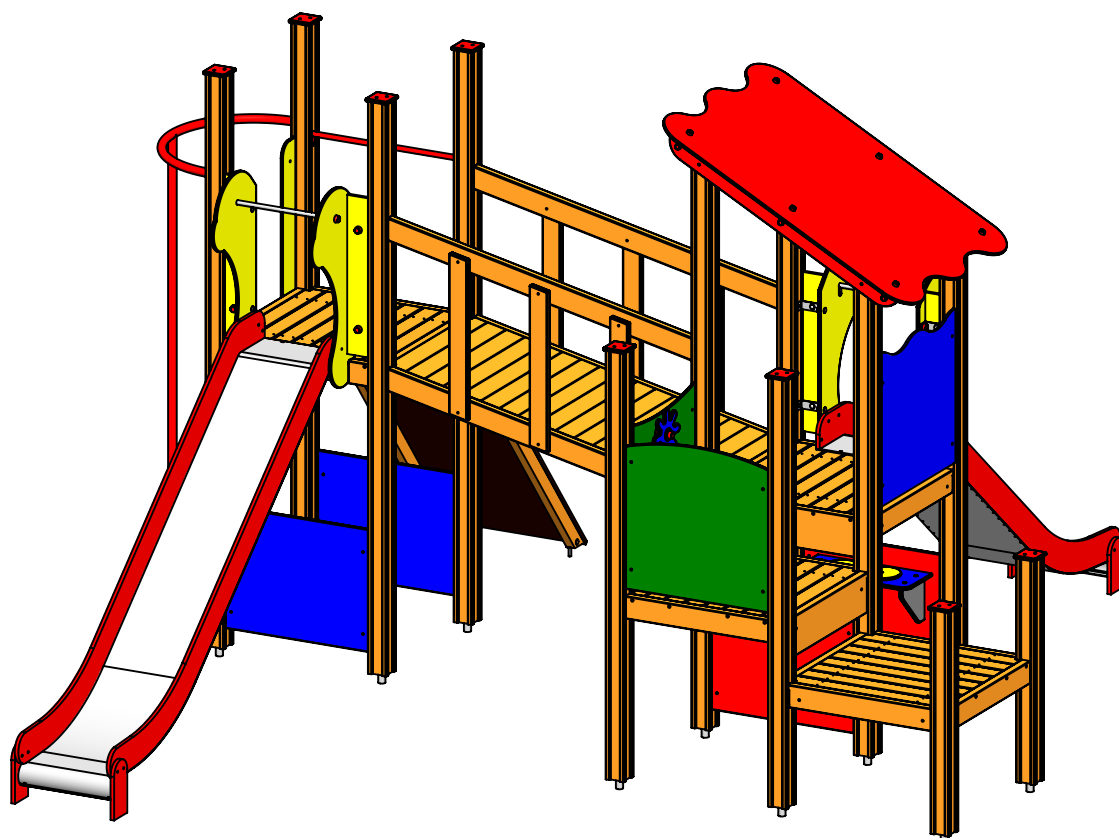
B

C

D

E

F



UNLESS OTHERWISE SPECIFIED:  
DIMENSIONS ARE IN MILLIMETERS  
WEIGHT ARE IN KILOGRAMM

PART NUMBER / DWG NO.:

LM203

|        | NAME     | SIGNATURE | DATE       | REVISION |
|--------|----------|-----------|------------|----------|
| DRAWN  | M.Rebase |           | 05.03.2015 |          |
| APPV'D |          |           |            |          |

DESCRIPTION:

Play Centre RICHARD



**Tiptaptap** OÜ

Tiptaptap OÜ  
Veetorni 9,  
Jüri alevik, Rae vald,  
75301 Harjumaa

MATERIAL:

wood, metal, plastic

A4

WEIGHT:

SCALE: 1:35

SHEET 1 OF 19

# safety area

A

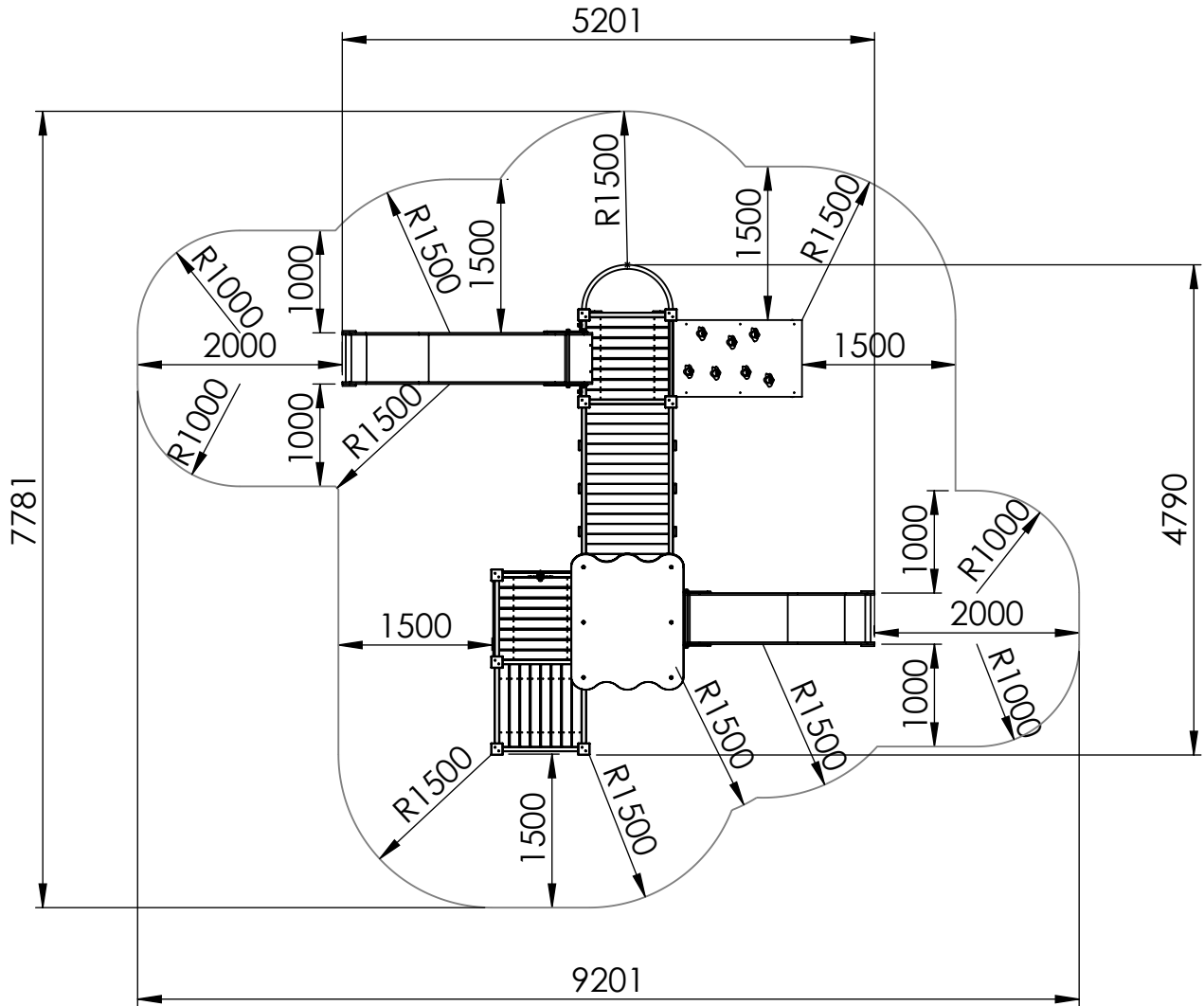
B

C

D

E

F



UNLESS OTHERWISE SPECIFIED:  
DIMENSIONS ARE IN MILLIMETERS  
WEIGHT ARE IN KILOGRAMM

PART NUMBER / DWG NO.:

LM203

|        | NAME     | SIGNATURE | DATE       | REVISION |
|--------|----------|-----------|------------|----------|
| DRAWN  | M.Rebase |           | 05.03.2015 |          |
| APPV'D |          |           |            |          |

DESCRIPTION:

Play Centre RICHARD



**Tiptaptap** OÜ

Tiptaptap OÜ  
Veetorni 9,  
Jüri alevik, Rae vald,  
75301 Harjumaa

MATERIAL:

wood, metal, plastic

A4

WEIGHT:

SCALE: 1:70

SHEET 2 OF 19

# foundation

A

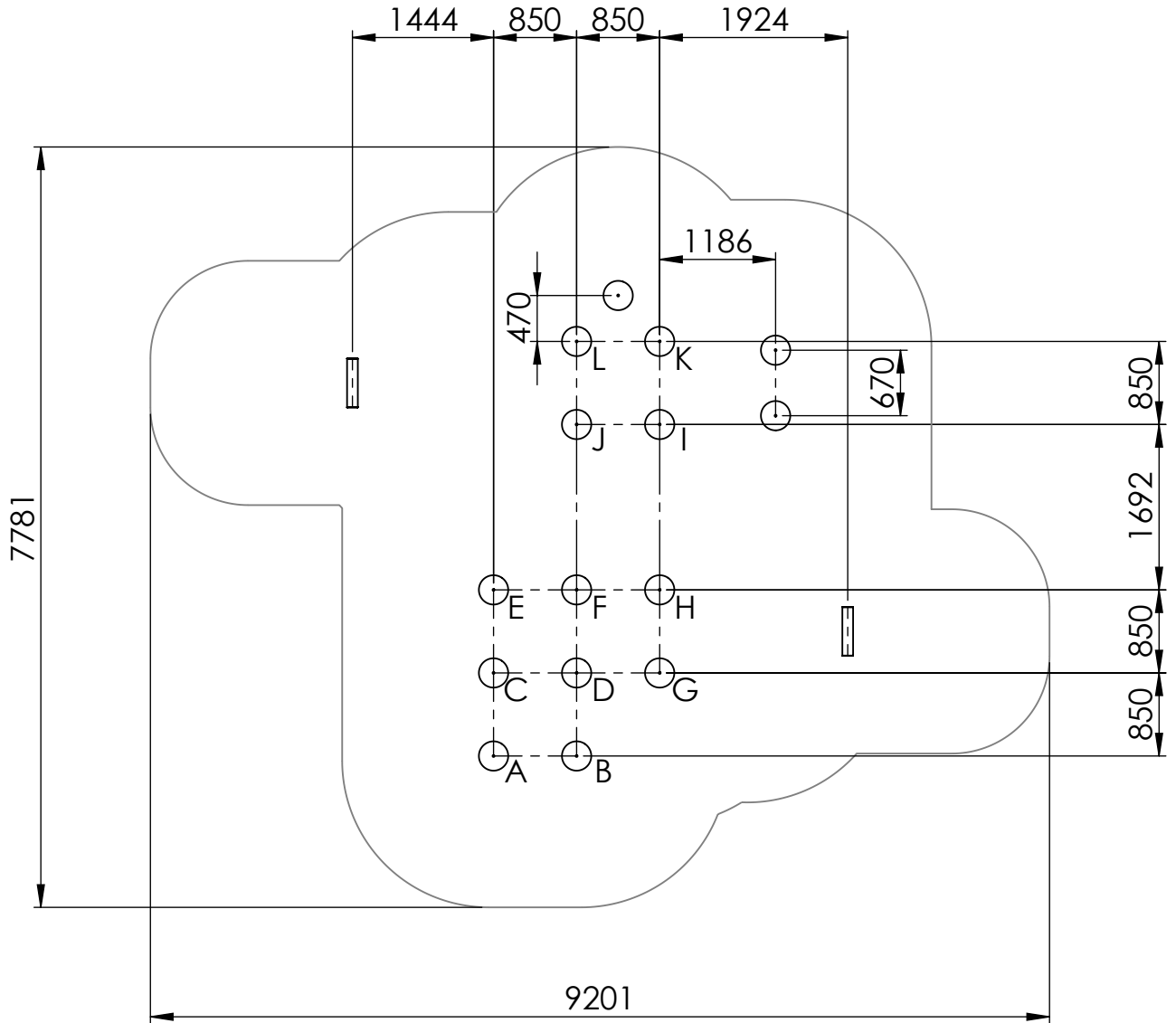
B

C

D

E

F



depth of the foundation 500mm

UNLESS OTHERWISE SPECIFIED:  
DIMENSIONS ARE IN MILLIMETERS  
WEIGHT ARE IN KILOGRAMM

PART NUMBER / DWG NO.:

LM203

|        | NAME     | SIGNATURE | DATE       | REVISION |
|--------|----------|-----------|------------|----------|
| DRAWN  | M.Rebase |           | 05.03.2015 |          |
| APPV'D |          |           |            |          |

DESCRIPTION:

Play Centre RICHARD



**Tiptiptap** OÜ

Tiptiptap OÜ  
Veetorni 9,  
Jüri alevik, Rae vald,  
75301 Harjumaa

MATERIAL:

wood, metal, plastic

A4

WEIGHT:

SCALE: 1:70

SHEET 3 OF 19

A

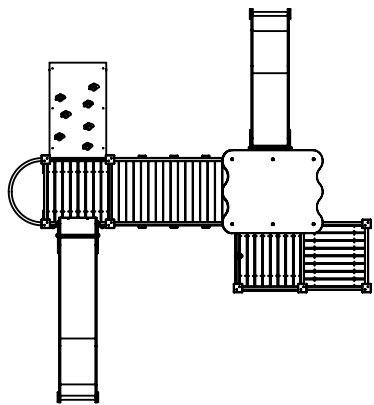
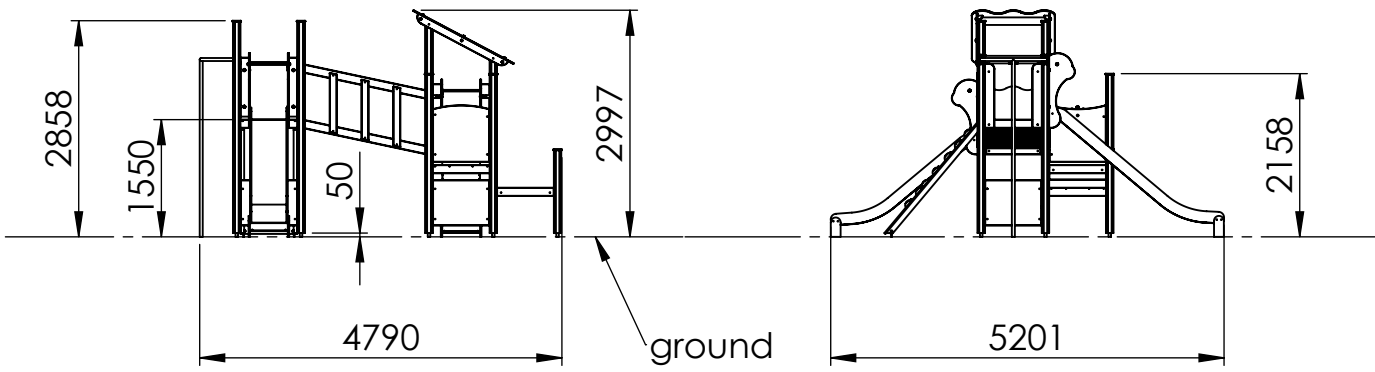
B

C

D

E

F



UNLESS OTHERWISE SPECIFIED:  
 DIMENSIONS ARE IN MILLIMETERS  
 WEIGHT ARE IN KILOGRAMM

|        | NAME     | SIGNATURE | DATE       | REVISION |
|--------|----------|-----------|------------|----------|
| DRAWN  | M.Rebase |           | 05.03.2015 |          |
| APPV'D |          |           |            |          |

PART NUMBER / DWG NO.:  
**LM203**

DESCRIPTION:  
**Play Centre RICHARD**



**Tiptaptap** OÜ  
 Veetorni 9,  
 Jüri alevik, Rae vald,  
 75301 Harjumaa

|           |                      |               |
|-----------|----------------------|---------------|
| MATERIAL: | wood, metal, plastic | A4            |
| WEIGHT:   |                      | SCALE: 1:100  |
|           |                      | SHEET 4 OF 19 |

A

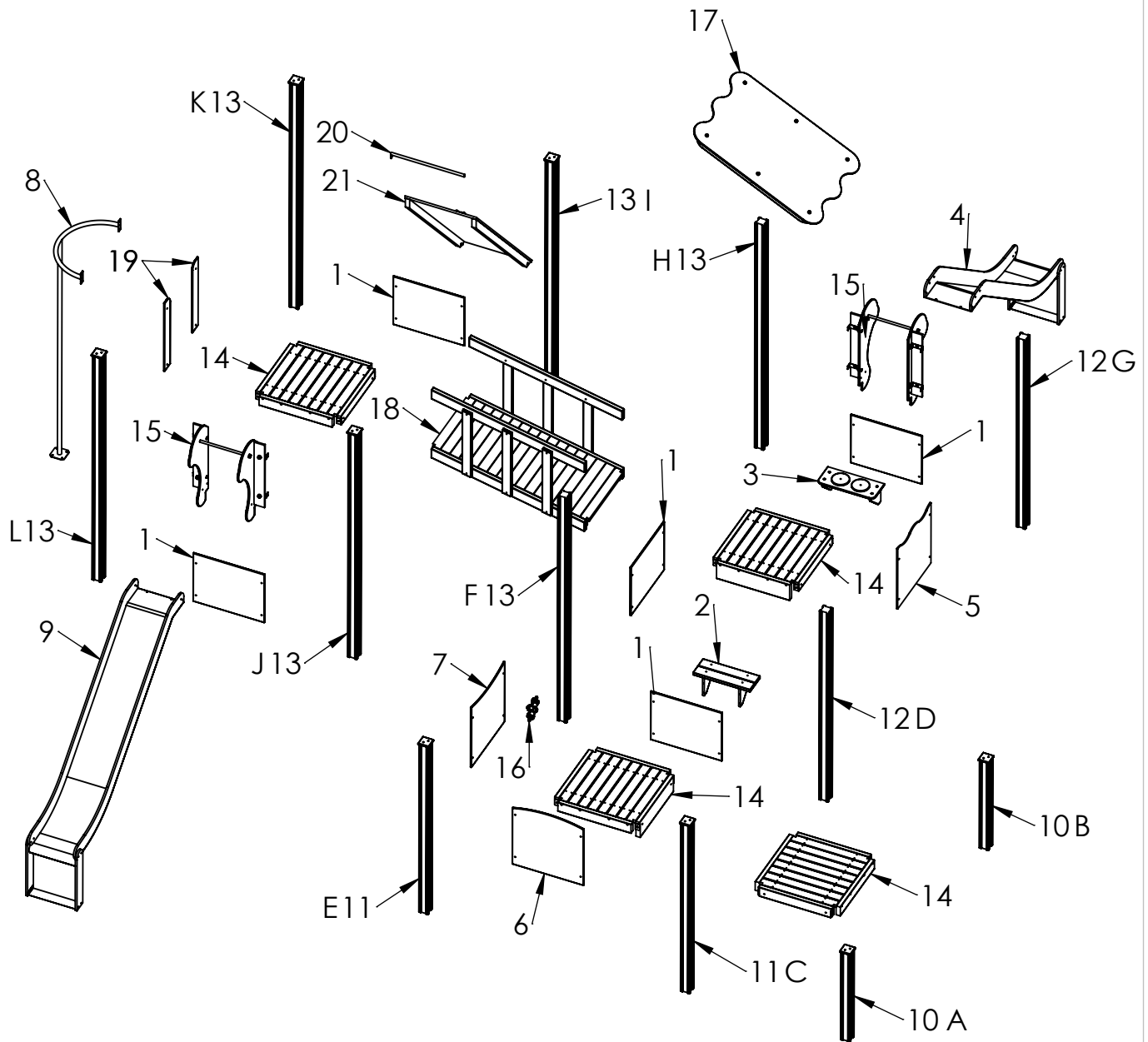
B

C

D

E

F



UNLESS OTHERWISE SPECIFIED:  
 DIMENSIONS ARE IN MILLIMETERS  
 WEIGHT ARE IN KILOGRAMM

PART NUMBER / DWG NO.:

LM203

|        | NAME     | SIGNATURE | DATE       | REVISION |
|--------|----------|-----------|------------|----------|
| DRAWN  | M.Rebase |           | 05.03.2015 |          |
| APPV'D |          |           |            |          |

DESCRIPTION:

Play Centre RICHARD



**Tiptaptap** OÜ

Tiptaptap OÜ  
 Veetorni 9,  
 Jüri alevik, Rae vald,  
 75301 Harjumaa

MATERIAL:

wood, metal, plastic

A4

WEIGHT:

SCALE: 1:60

SHEET 5 OF 19

| ITEM NO. | PART NUMBER             | DESCRIPTION                 | QTY. |
|----------|-------------------------|-----------------------------|------|
| 1        | panel 750x600           | plywood                     | 5    |
| 2        | playcorner-bench        | laminated wood, plastic     | 1    |
| 3        | playcorner-kitchen      | plywood, plastic            | 1    |
| 4        | slide h_1200            | stainless steel, PE plastic | 1    |
| 5        | panel 750x750           | plywood                     | 1    |
| 6        | panel 750x750           | plywood                     | 1    |
| 7        | panel 750x750           | plywood                     | 1    |
| 8        | climbing pole           | galvanized painted steel    | 1    |
| 9        | slide h_1550            | stainless steel, PE plastic | 1    |
| 10       | post 98x98x1100         | laminated wood              | 2    |
| 11       | post 98x98x2100         | laminated wood              | 2    |
| 12       | post 98x98x2350         | laminated wood              | 2    |
| 13       | post 98x98x2800         | laminated wood              | 6    |
| 14       | platform                | laminated wood, metal       | 4    |
| 15       | slide guard block       | plywood, metal, plastic     | 2    |
| 16       | captain wheel           | PE plastic                  | 1    |
| 17       | roof inclined           | plywood                     | 1    |
| 18       | inclined bridge         | laminated wood              | 1    |
| 19       | panel 850x126           | plywood                     | 2    |
| 20       | guardrail $\phi$ 25x770 | painted steel               | 1    |
| 21       | climbing ramp           | plywood                     | 1    |

|   |  |  |  |  |
|---|--|--|--|--|
| D |  |  |  |  |
| E |  |  |  |  |

|   |          |           |            |                        |               |
|---|----------|-----------|------------|------------------------|---------------|
| UNLESS OTHERWISE SPECIFIED:<br>DIMENSIONS ARE IN MILLIMETERS<br>WEIGHT ARE IN KILOGRAMM |          |           |            | PART NUMBER / DWG NO.: |               |
|   |          |           |            | LM203                  |               |
|   | NAME     | SIGNATURE | DATE       | REVISION               |               |
| DRAWN   | M.Rebase |           | 05.03.2015 |                        |               |
| APPV'D  |          |           |            |                        |               |
|   |          |           |            | DESCRIPTION:           |               |
|   |          |           |            | Play Centre RICHARD    |               |
|   |          |           |            | MATERIAL:              | A4            |
|   |          |           |            | wood, metal, plastic   |               |
|   |          |           |            | WEIGHT:                | SHEET 6 OF 19 |
|   |          |           |            | SCALE: 1:60            |               |



**Tiptiptap** OÜ

Tiptiptap OÜ  
Veetorni 9,  
Jüri alevik, Rae vald,  
75301 Harjumaa

A

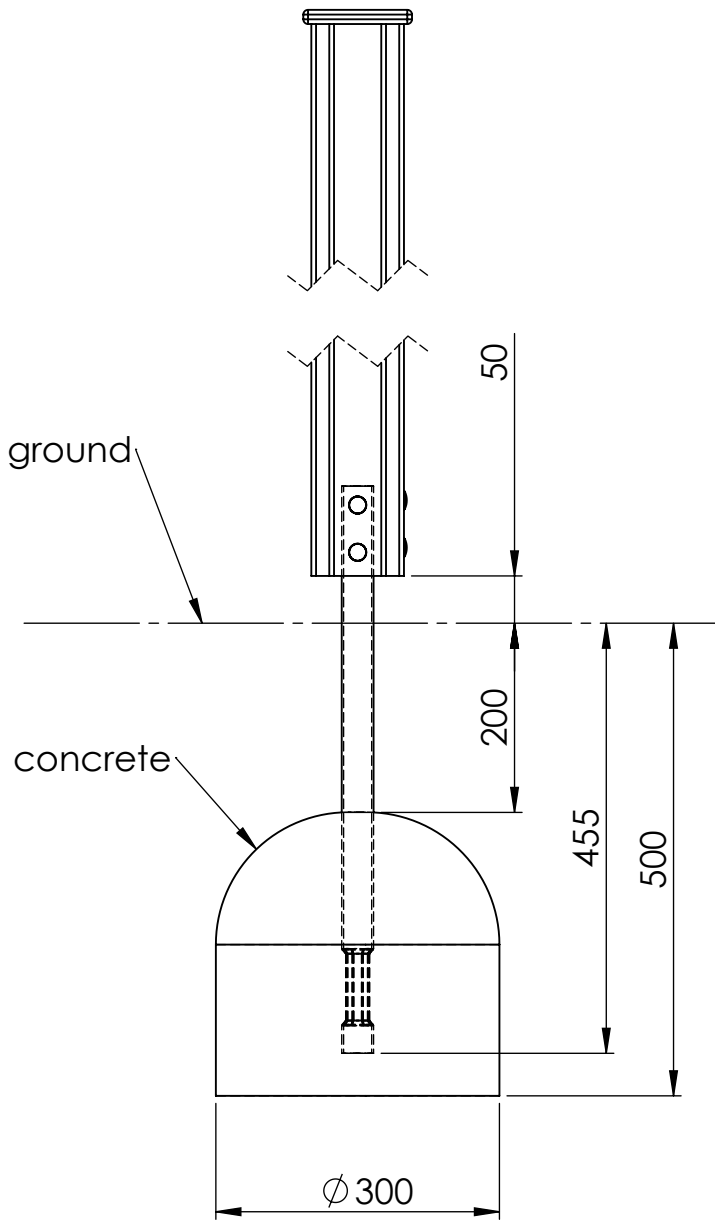
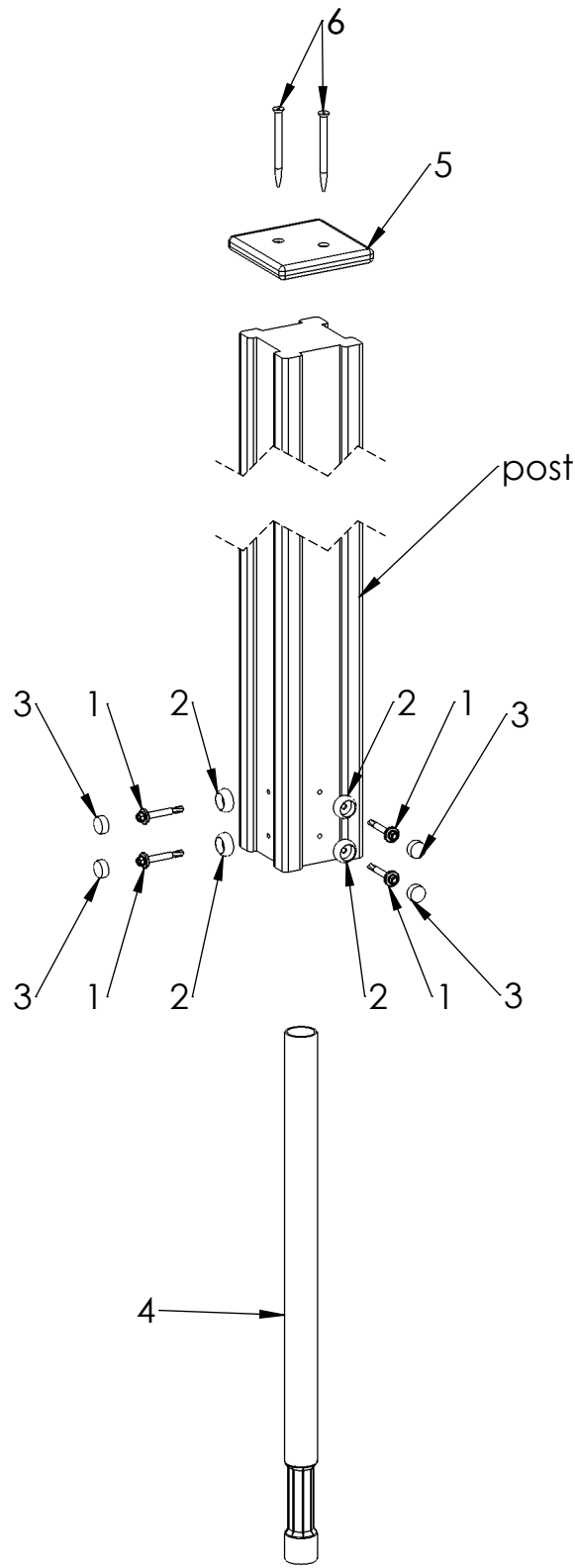
B

C

D

E

F



| ITEM NO. | PART NUMBER               |
|----------|---------------------------|
| 1        | screw DIN7504K 5,5x50     |
| 2        | nut cover M6              |
| 3        | nut cover cap M6          |
| 4        | metal ground fixing L_600 |
| 5        | plastic cap 115x115       |
| 6        | woodscrew 6 x 90          |

UNLESS OTHERWISE SPECIFIED:  
DIMENSIONS ARE IN MILLIMETERS  
WEIGHT ARE IN KILOGRAMM

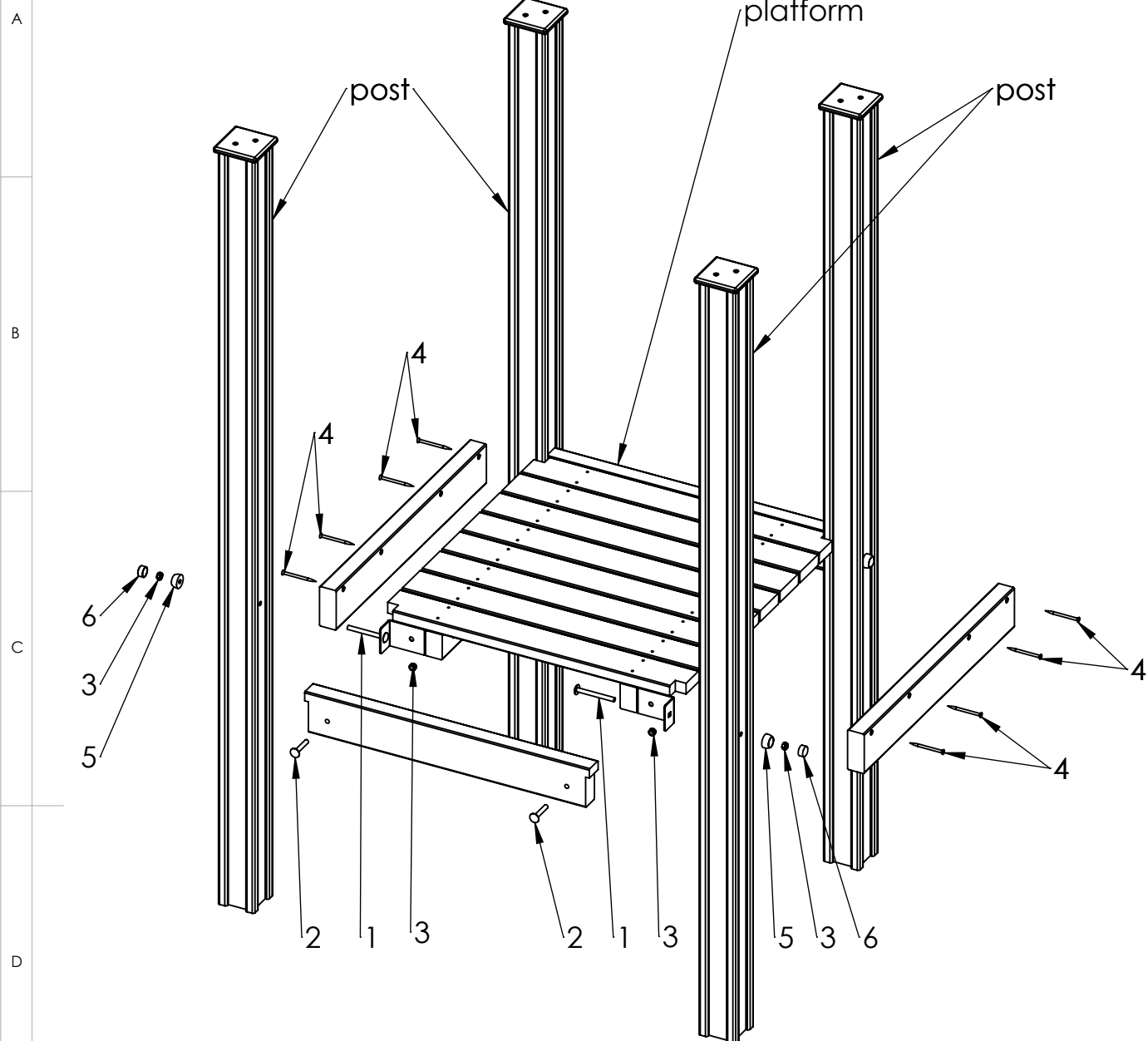
|        | NAME     | SIGNATURE | DATE       | REVISION |
|--------|----------|-----------|------------|----------|
| DRAWN  | M.Rebase |           | 05.03.2015 |          |
| APPV'D |          |           |            |          |

PART NUMBER / DWG NO.:  
**LM203**

DESCRIPTION:  
**Play Centre RICHARD  
connecting metal ground fixing to post**

**Tiptiptap** OÜ  
Veetorni 9,  
Jüri alevik, Rae vald,  
75301 Harjumaa

|           |                      |               |
|-----------|----------------------|---------------|
| MATERIAL: | wood, metal, plastic | A4            |
| WEIGHT:   | SCALE: 1:8           | SHEET 7 OF 19 |



E

| ITEM NO. | PART NUMBER         |
|----------|---------------------|
| 1        | bolt DIN603 M10x100 |
| 2        | bolt DIN603 M10x60  |
| 3        | nut DIN985 M10      |
| 4        | woodscrew 6 x 90    |
| 5        | nut cover M10       |
| 6        | nut cover cap M10   |

F

UNLESS OTHERWISE SPECIFIED:  
DIMENSIONS ARE IN MILLIMETERS  
WEIGHT ARE IN KILOGRAMM

|        | NAME     | SIGNATURE | DATE       | REVISION |
|--------|----------|-----------|------------|----------|
| DRAWN  | M.Rebase |           | 05.03.2015 |          |
| APPV'D |          |           |            |          |

PART NUMBER / DWG NO.:

LM203

DESCRIPTION:

Play Centre RICHARD  
connecting platform to post

MATERIAL:

wood, metal, plastic

A4

WEIGHT:

SCALE: 1:15

SHEET 8 OF 19



**Tiptaptap** OÜ

Tiptaptap OÜ  
Veetorni 9,  
Jüri alevik, Rae vald,  
75301 Harjumaa



A

B

C

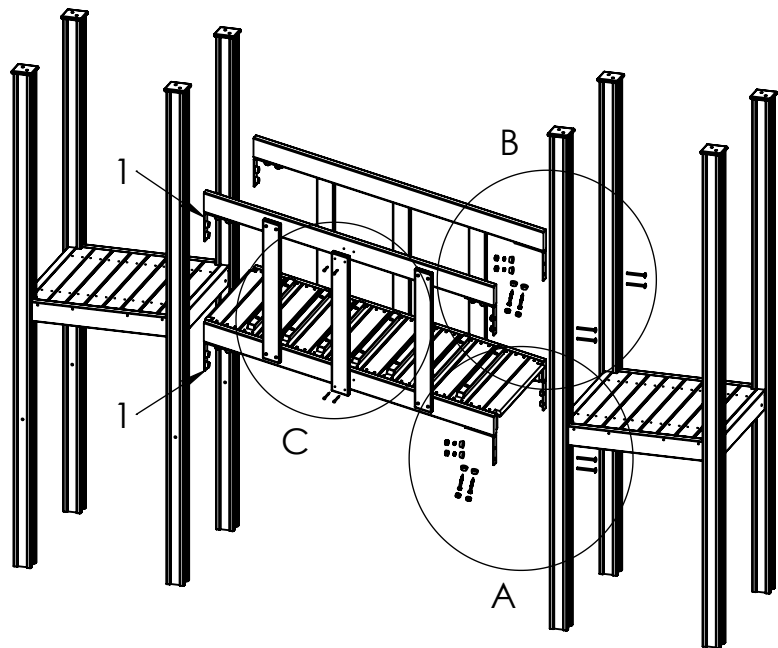
D

A

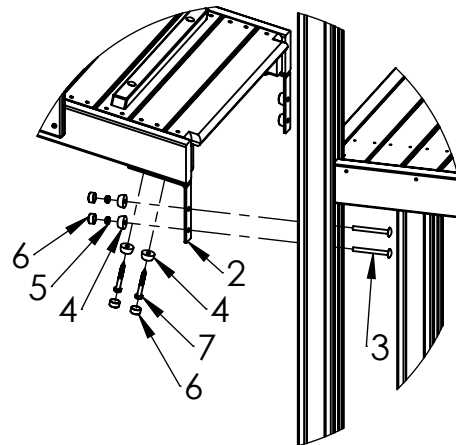
B

C

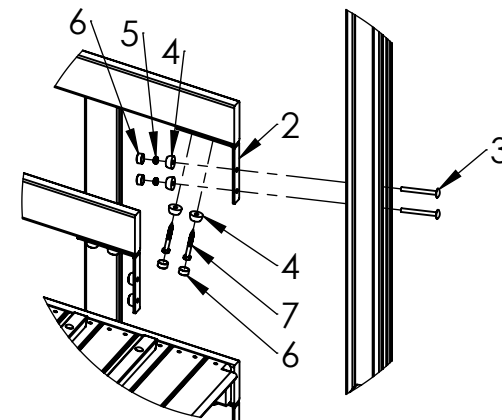
D



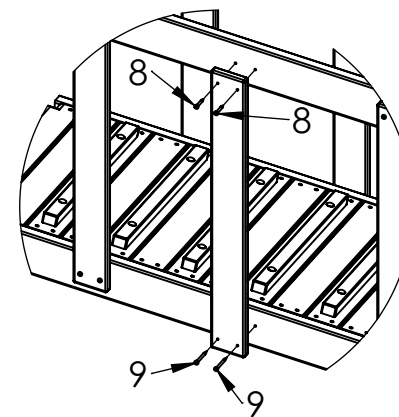
DETAIL A  
SCALE 1 : 20



DETAIL B  
SCALE 1 : 20



DETAIL C  
SCALE 1 : 20



| ITEM NO. | PART NUMBER             |
|----------|-------------------------|
| 1        | corner 160x160x45 78°   |
| 2        | corner 160x160x45 102°  |
| 3        | bolt DIN603 M10x100     |
| 4        | nut cover M10           |
| 5        | nut DIN985 M10          |
| 6        | nut cover cap M10       |
| 7        | wood screw DIN571 10x80 |
| 8        | woodscrew 6 x 60        |
| 9        | woodscrew 6 x 90        |

UNLESS OTHERWISE SPECIFIED:  
DIMENSIONS ARE IN MILLIMETERS  
WEIGHT ARE IN KILOGRAMM

|        | NAME     | SIGNATURE | DATE       | REVISION |
|--------|----------|-----------|------------|----------|
| DRAWN  | M.Rebase |           | 05.03.2015 |          |
| APPV'D |          |           |            |          |

|                        |       |
|------------------------|-------|
| PART NUMBER / DWG NO.: | LM203 |
|------------------------|-------|

DESCRIPTION:  
**Play Centre RICHARD  
connecting bridge to post**

|           |                      |    |
|-----------|----------------------|----|
| MATERIAL: | wood, metal, plastic | A4 |
|-----------|----------------------|----|

|         |             |               |
|---------|-------------|---------------|
| WEIGHT: | SCALE: 1:40 | SHEET 9 OF 19 |
|---------|-------------|---------------|



**Tiptaptap** OÜ  
Tiptaptap OÜ  
Veetorni 9,  
Jüri alevik, Rae vald,  
75301 Harjumaa

A

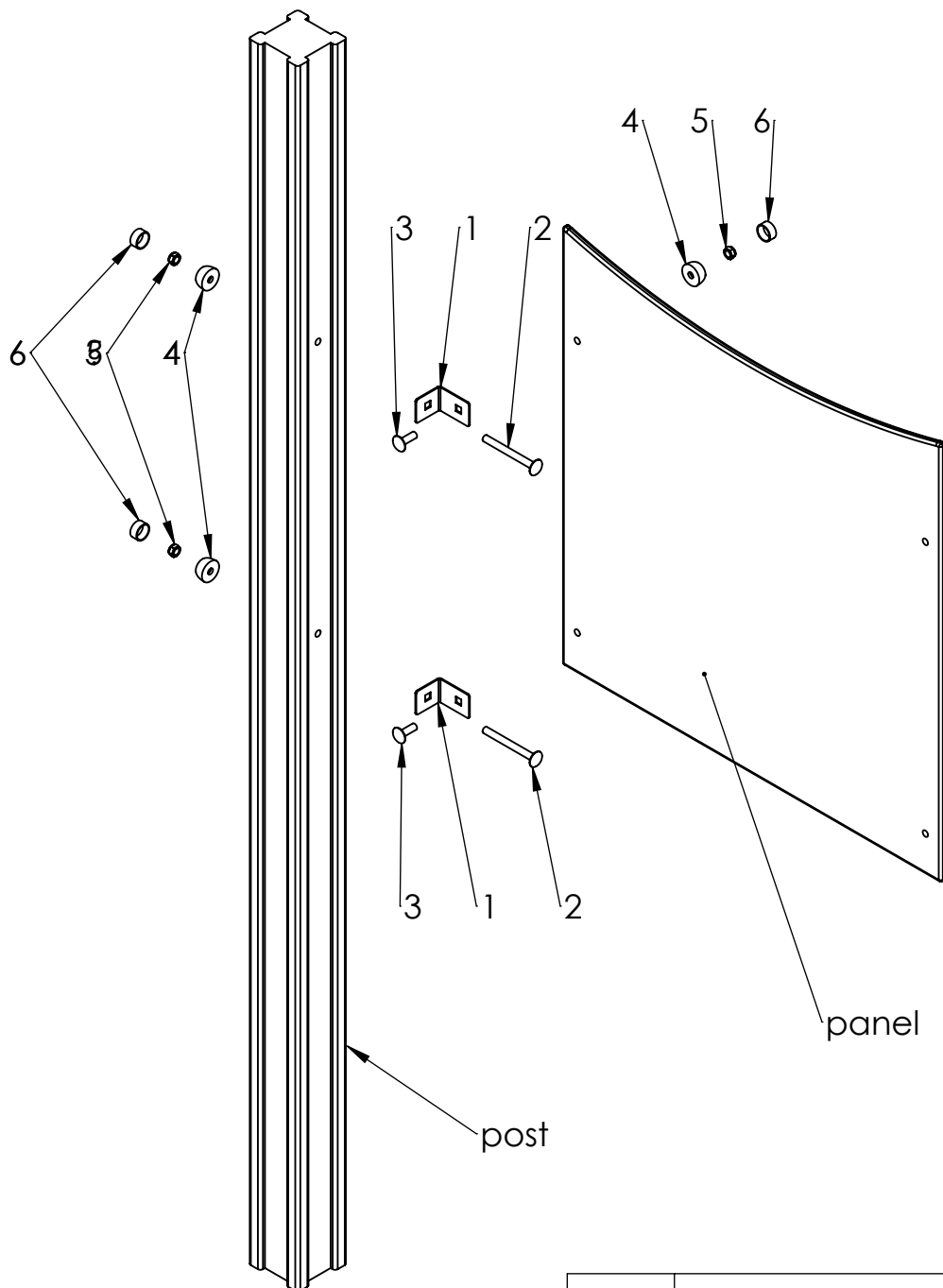
B

C

D

E

F



| ITEM NO. | PART NUMBER         |
|----------|---------------------|
| 1        | corner 48x60        |
| 2        | bolt DIN603 M10x100 |
| 3        | bolt DIN603 M10x30  |
| 4        | nut cover M10       |
| 5        | nut DIN985 M10      |
| 6        | nut cover cap M10   |

UNLESS OTHERWISE SPECIFIED:  
DIMENSIONS ARE IN MILLIMETERS  
WEIGHT ARE IN KILOGRAMM

PART NUMBER / DWG NO.:

LM203

|        | NAME     | SIGNATURE | DATE       | REVISION |
|--------|----------|-----------|------------|----------|
| DRAWN  | M.Rebase |           | 05.03.2015 |          |
| APPV'D |          |           |            |          |

DESCRIPTION:

Play Centre RICHARD  
connecting panel to post

MATERIAL:

wood, metal, plastic

A4

WEIGHT:

SCALE: 1:10

SHEET 10 OF 19



**Tiptap** OÜ

Tiptap OÜ  
Veetorni 9,  
Jüri alevik, Rae vald,  
75301 Harjumaa

A

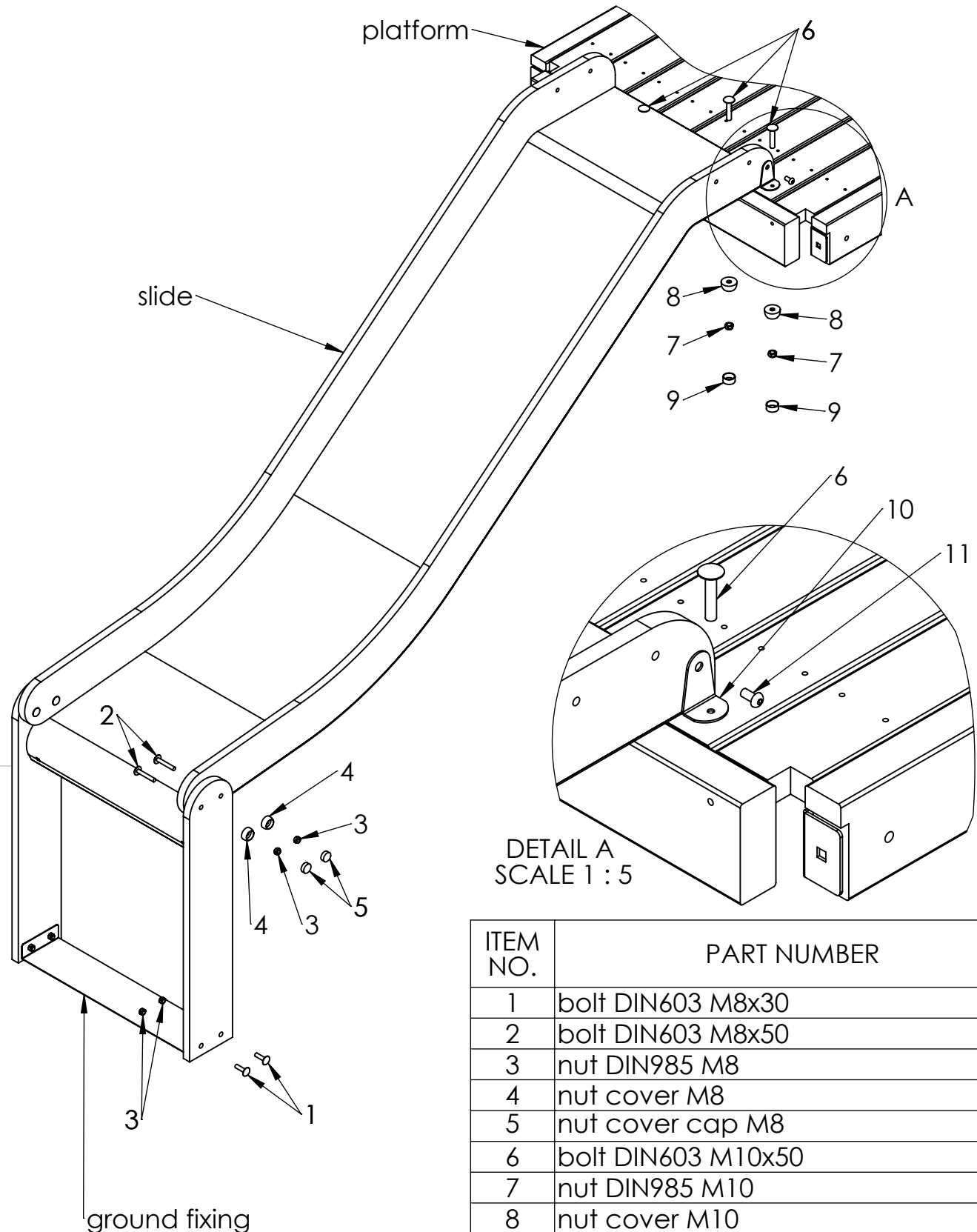
B

C

D

E

F



DETAIL A  
SCALE 1 : 5

| ITEM NO. | PART NUMBER                |
|----------|----------------------------|
| 1        | bolt DIN603 M8x30          |
| 2        | bolt DIN603 M8x50          |
| 3        | nut DIN985 M8              |
| 4        | nut cover M8               |
| 5        | nut cover cap M8           |
| 6        | bolt DIN603 M10x50         |
| 7        | nut DIN985 M10             |
| 8        | nut cover M10              |
| 9        | nut cover cap M10          |
| 10       | corner 58x30               |
| 11       | metal screw DIN 7380 M8x16 |

UNLESS OTHERWISE SPECIFIED:  
DIMENSIONS ARE IN MILLIMETERS  
WEIGHT ARE IN KILOGRAMM

|        | NAME     | SIGNATURE | DATE       | REVISION |
|--------|----------|-----------|------------|----------|
| DRAWN  | M.Rebase |           | 05.03.2015 |          |
| APPV'D |          |           |            |          |

PART NUMBER / DWG NO.:  
**LM203**

DESCRIPTION:  
**Play Centre RICHARD  
connecting slide to platform**



**Tiptap** OÜ

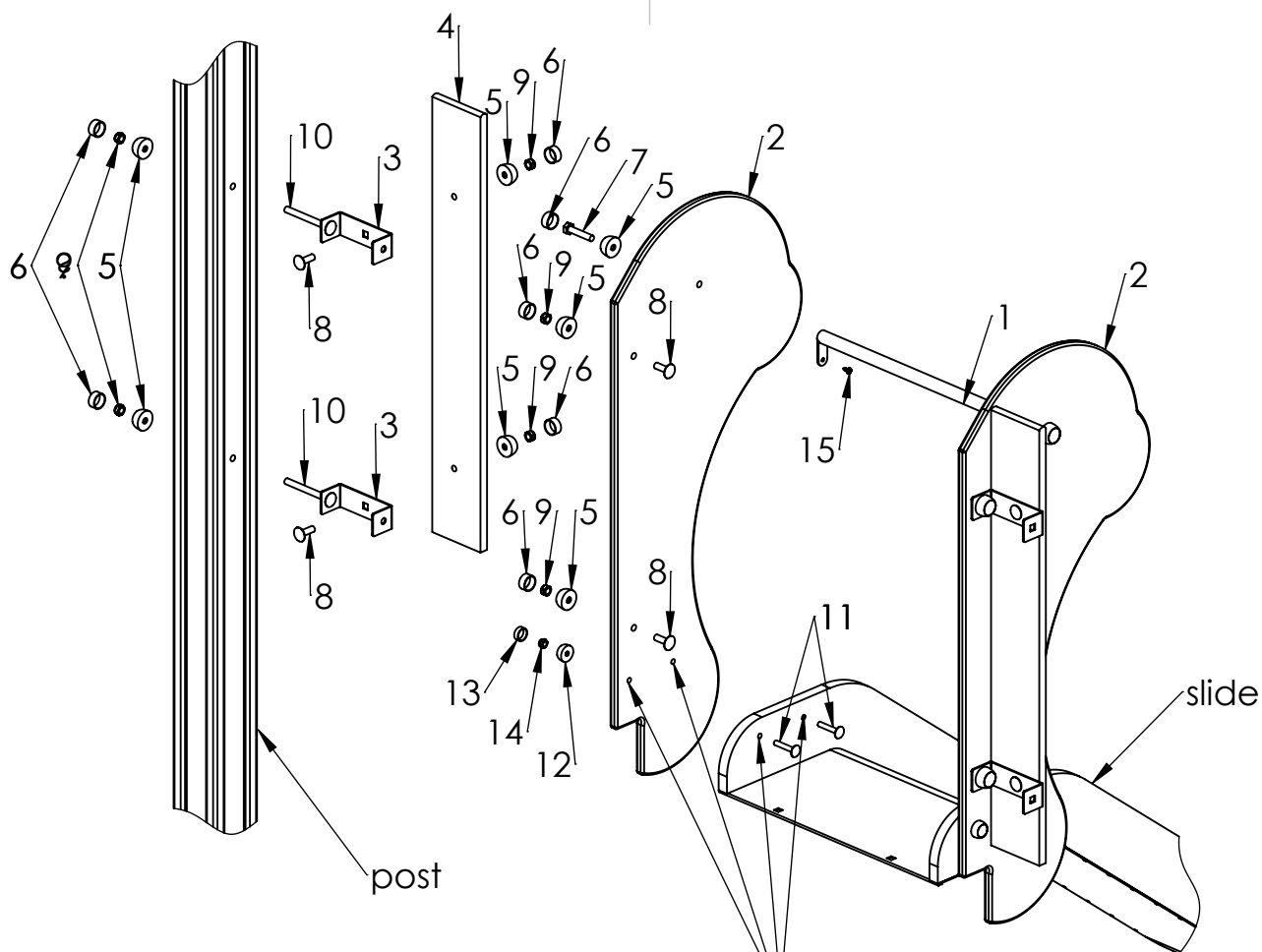
Tiptap OÜ  
Veetorni 9,  
Jüri alevik, Rae vald,  
75301 Harjumaa

|           |                      |                |
|-----------|----------------------|----------------|
| MATERIAL: | wood, metal, plastic | A4             |
| WEIGHT:   | SCALE: 1:12          | SHEET 11 OF 19 |

A

B

C



It is important to drill 8,5mm holes through side panel and slide.

D

E

F

| ITEM NO. | PART NUMBER                    |
|----------|--------------------------------|
| 1        | slide guardrail 2015           |
| 2        | slide side panel               |
| 3        | slide side panel fixing 40x120 |
| 4        | side panel 110x780             |
| 5        | nut cover M10                  |
| 6        | nut cover cap M10              |
| 7        | bolt DIN931 M10x50             |
| 8        | bolt DIN603 M10x30             |
| 9        | nut DIN985 M10                 |
| 10       | bolt DIN603 M10x100            |
| 11       | bolt DIN603 M8x45              |
| 12       | nut cover M8                   |
| 13       | nut cover cap M8               |
| 14       | nut DIN985 M8                  |
| 15       | wood screw 4,8x60              |

UNLESS OTHERWISE SPECIFIED:  
DIMENSIONS ARE IN MILLIMETERS  
WEIGHT ARE IN KILOGRAMM

PART NUMBER / DWG NO.:

LM203

|        | NAME     | SIGNATURE | DATE       | REVISION |
|--------|----------|-----------|------------|----------|
| DRAWN  | M.Rebase |           | 05.03.2015 |          |
| APPV'D |          |           |            |          |

DESCRIPTION:

Play Centre RICHARD  
connecting slide guard block to post

MATERIAL:

wood, metal, plastic

A4

WEIGHT:

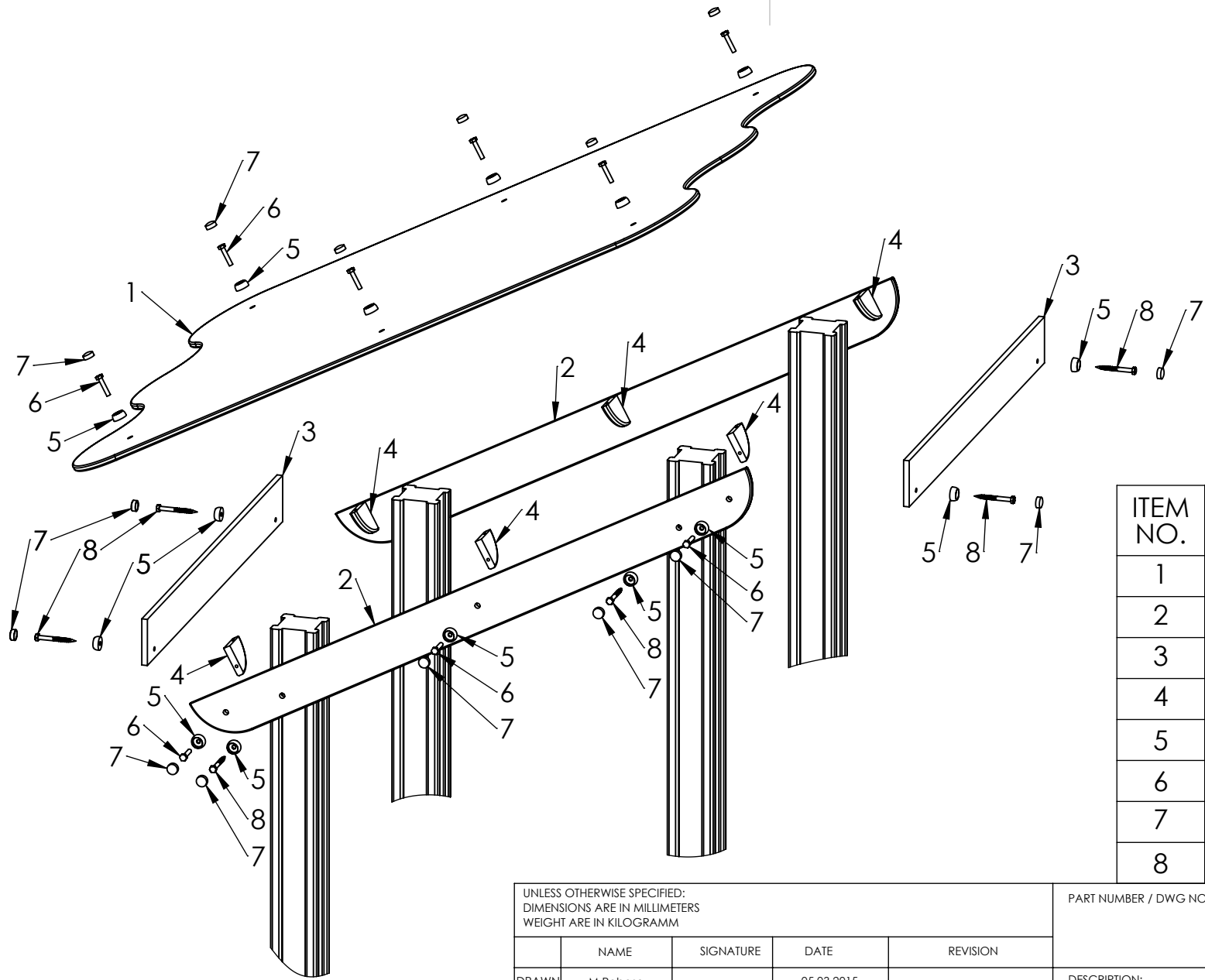
SCALE: 1:12

SHEET 12 OF 19



**Tiptap** OÜ

Tiptap OÜ  
Veetorni 9,  
Jüri alevik, Rae vald,  
75301 Harjumaa



| ITEM NO. | PART NUMBER            |
|----------|------------------------|
| 1        | roof panel 1100x1500   |
| 2        | panel 100x1350         |
| 3        | panel 100x948          |
| 4        | plastic corner         |
| 5        | nut cover M8           |
| 6        | bolt DIN933 M8x40      |
| 7        | nut cover cap M8       |
| 8        | wood screw DIN571 8x80 |

UNLESS OTHERWISE SPECIFIED:  
 DIMENSIONS ARE IN MILLIMETERS  
 WEIGHT ARE IN KILOGRAMM

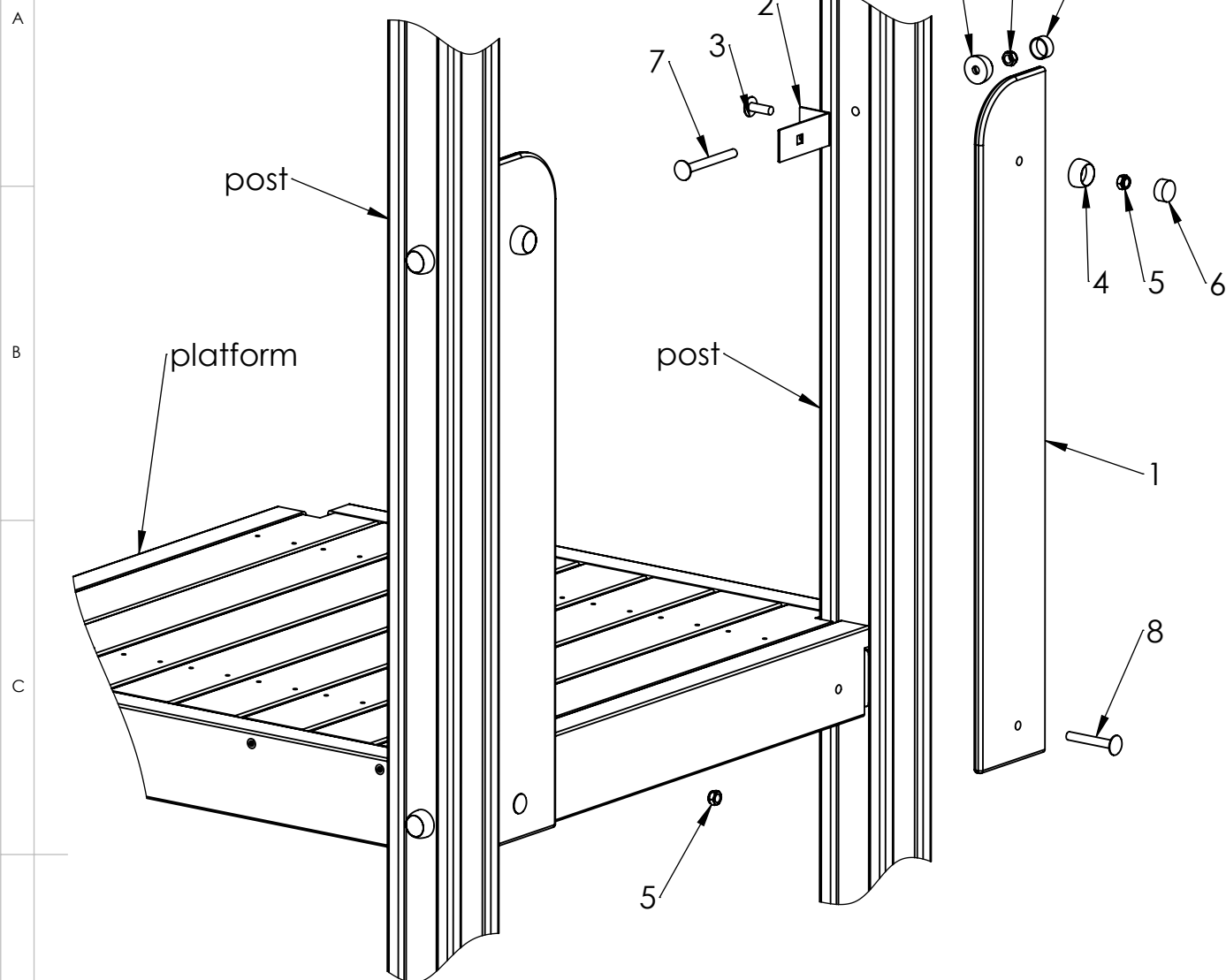
|        | NAME     | SIGNATURE | DATE       | REVISION |
|--------|----------|-----------|------------|----------|
| DRAWN  | M.Rebase |           | 05.03.2015 |          |
| APPV'D |          |           |            |          |



**Tiptaptap** OÜ  
 Tiptaptap OÜ  
 Veetorni 9,  
 Jüri alevik, Rae vald,  
 75301 Harjumaa

|  |                               |
|--|-------------------------------|
| PART NUMBER / DWG NO.:<br><b>LM203</b>                                 |                               |
| DESCRIPTION:<br><b>Play Centre RICHARD<br/>connecting roof to post</b> |                               |
| MATERIAL:<br>wood, metal, plastic                                      | A4                            |
| WEIGHT:  | SCALE: 1:12<br>SHEET 13 OF 19 |





| ITEM NO. | PART NUMBER                    |
|----------|--------------------------------|
| 1        | panel 850x126                  |
| 2        | slide side panel fixing 40x100 |
| 3        | bolt DIN603 M10x30             |
| 4        | nut cover M10                  |
| 5        | nut DIN985 M10                 |
| 6        | nut cover cap M10              |
| 7        | bolt DIN603 M10x100            |
| 8        | bolt DIN603 M10x70             |

UNLESS OTHERWISE SPECIFIED:  
DIMENSIONS ARE IN MILLIMETERS  
WEIGHT ARE IN KILOGRAMM

|        | NAME     | SIGNATURE | DATE       | REVISION |
|--------|----------|-----------|------------|----------|
| DRAWN  | M.Rebase |           | 05.03.2015 |          |
| APPV'D |          |           |            |          |

PART NUMBER / DWG NO.:

LM203

DESCRIPTION:

Play Centre RICHARD  
connecting climbing pole side panels

MATERIAL:

wood, metal, plastic

A4

WEIGHT:

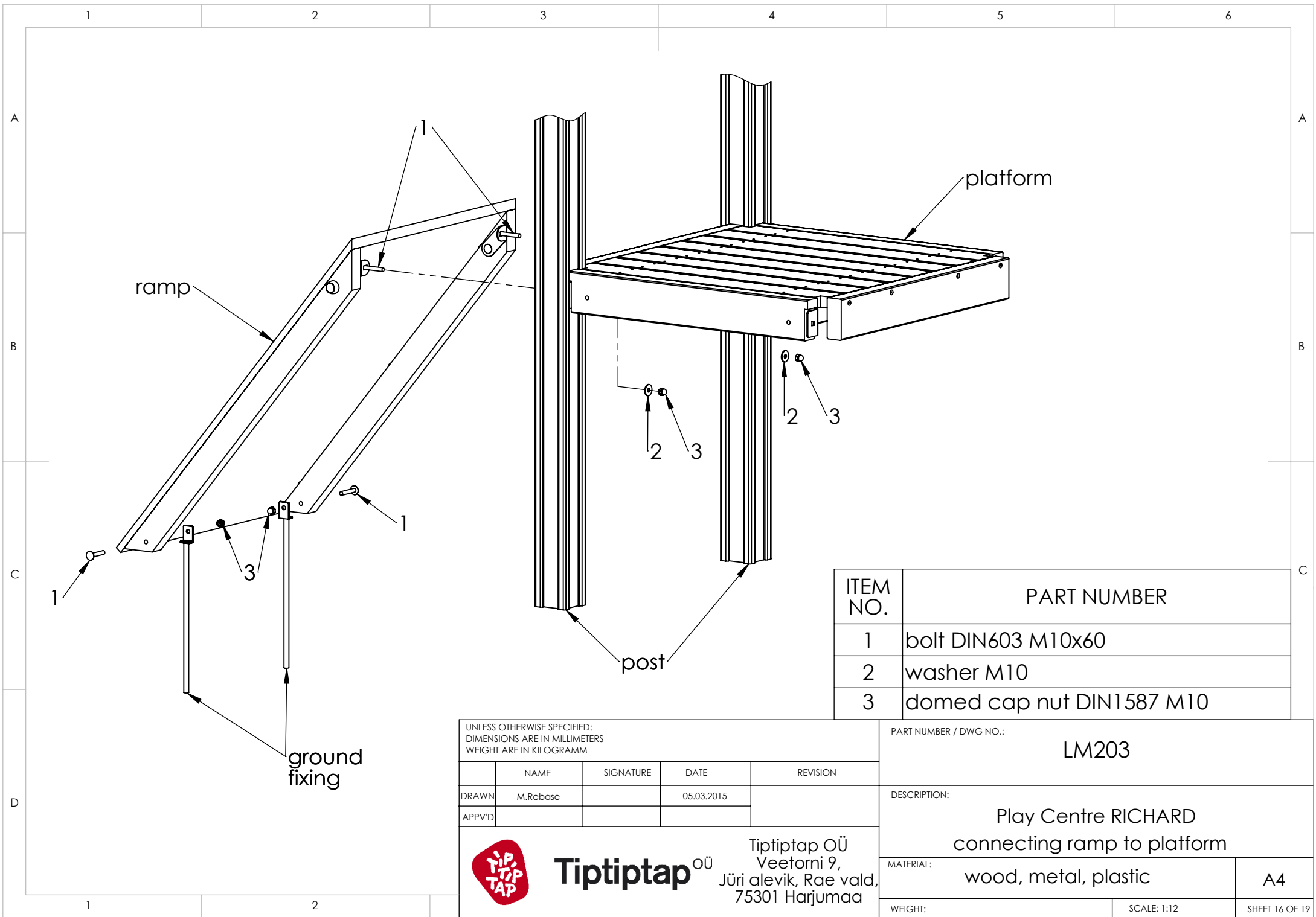
SCALE: 1:8

SHEET 15 OF 19



**Tiptiptap** OÜ

Tiptiptap OÜ  
Veetorni 9,  
Jüri alevik, Rae vald,  
75301 Harjumaa



| ITEM NO. | PART NUMBER               |
|----------|---------------------------|
| 1        | bolt DIN603 M10x60        |
| 2        | washer M10                |
| 3        | domed cap nut DIN1587 M10 |

UNLESS OTHERWISE SPECIFIED:  
 DIMENSIONS ARE IN MILLIMETERS  
 WEIGHT ARE IN KILOGRAMM

|        | NAME     | SIGNATURE | DATE       | REVISION |
|--------|----------|-----------|------------|----------|
| DRAWN  | M.Rebase |           | 05.03.2015 |          |
| APPV'D |          |           |            |          |



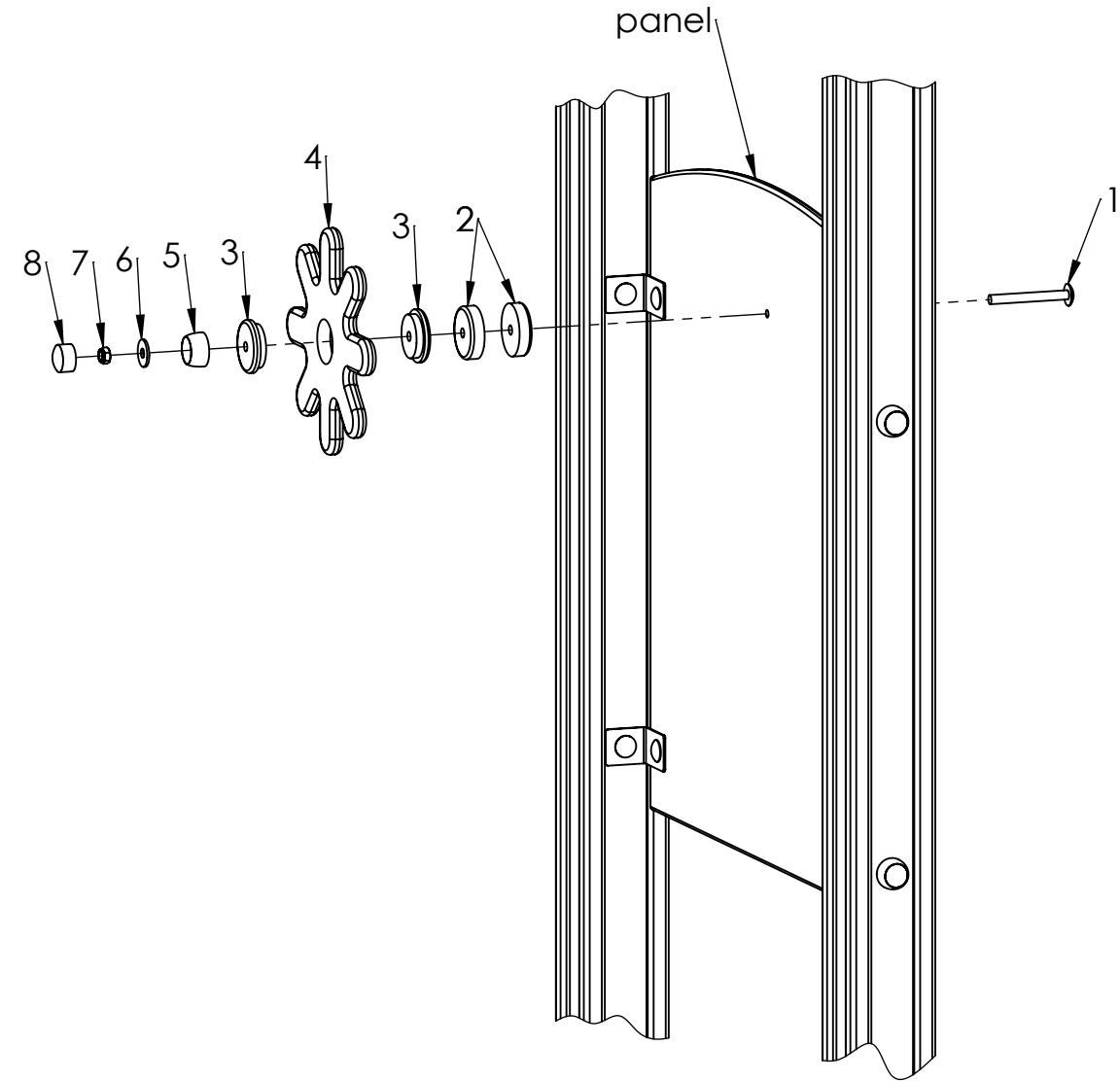
**Tiptap** OÜ  
 Tiptap OÜ  
 Veetorni 9,  
 Jüri alevik, Rae vald,  
 75301 Harjumaa

PART NUMBER / DWG NO.:  
**LM203**

DESCRIPTION:  
**Play Centre RICHARD  
 connecting ramp to platform**

|           |                      |                |
|-----------|----------------------|----------------|
| MATERIAL: | wood, metal, plastic | A4             |
| WEIGHT:   |                      | SCALE: 1:12    |
|           |                      | SHEET 16 OF 19 |





| ITEM NO. | PART NUMBER          |
|----------|----------------------|
| 1        | bolt DIN603 M10x90   |
| 2        | disk Ø58             |
| 3        | disk Ø58 with flange |
| 4        | captain wheel        |
| 5        | nut cover M12        |
| 6        | washer M10           |
| 7        | nut DIN985 M10       |
| 8        | nut cover cap M12    |

UNLESS OTHERWISE SPECIFIED:  
DIMENSIONS ARE IN MILLIMETERS  
WEIGHT ARE IN KILOGRAMM

PART NUMBER / DWG NO.:

LM203

|        | NAME     | SIGNATURE | DATE       | REVISION |
|--------|----------|-----------|------------|----------|
| DRAWN  | M.Rebase |           | 05.03.2015 |          |
| APPV'D |          |           |            |          |

DESCRIPTION:

Play Centre RICHARD  
connecting captain wheel to panel

MATERIAL:

wood, metal, plastic

A4

WEIGHT:

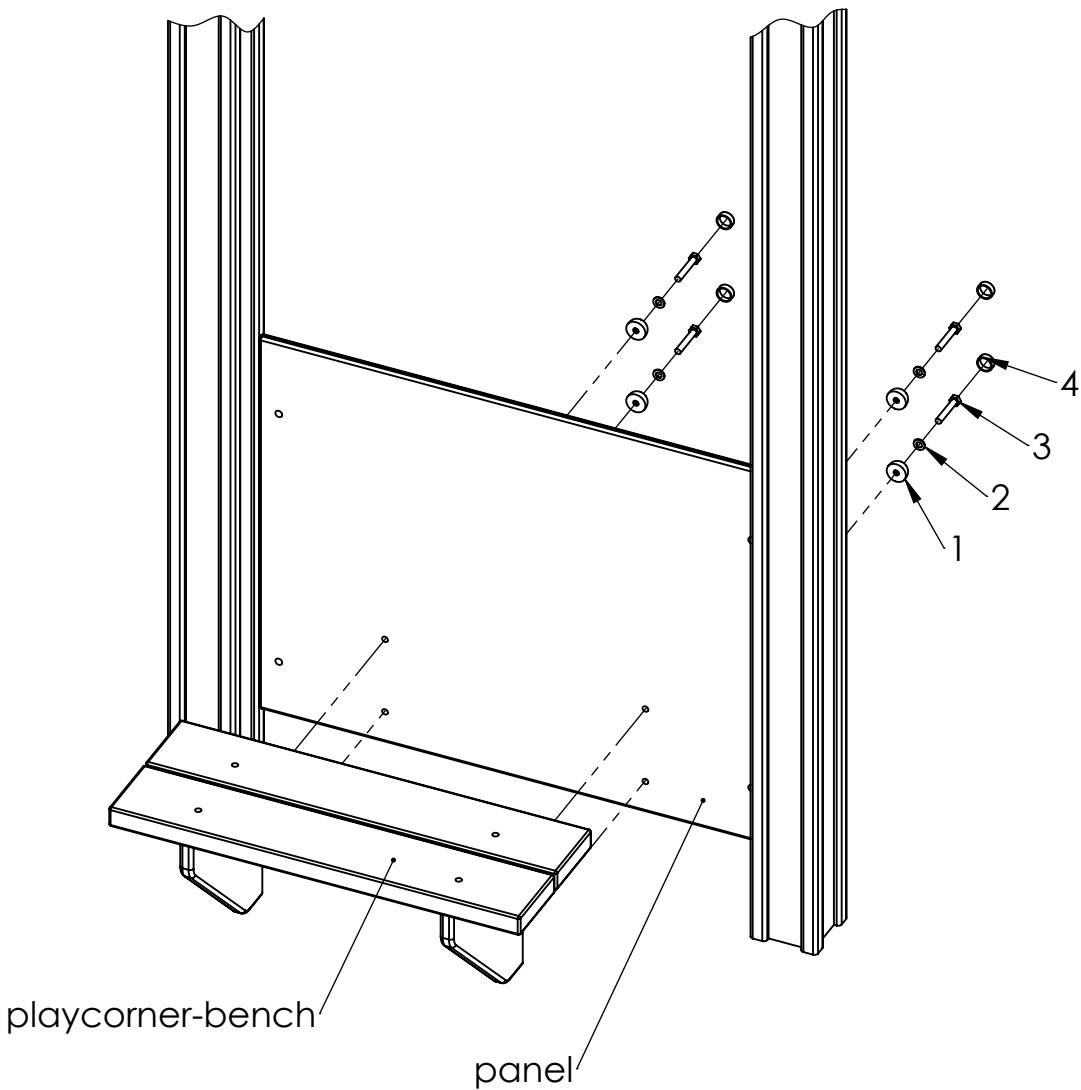
SCALE: 1:8

SHEET 17 OF 19



**Tiptaptap** OÜ

Tiptaptap OÜ  
Veetorni 9,  
Jüri alevik, Rae vald,  
75301 Harjumaa



| ITEM NO. | PART NUMBER       |
|----------|-------------------|
| 1        | nut cover M8      |
| 2        | washer M8         |
| 3        | bolt DIN933 M8x50 |
| 4        | nut cover cap M8  |

|   |          |           |            |          |
|---|----------|-----------|------------|----------|
| UNLESS OTHERWISE SPECIFIED:<br>DIMENSIONS ARE IN MILLIMETERS<br>WEIGHT ARE IN KILOGRAMM |          |           |            |          |
|   | NAME     | SIGNATURE | DATE       | REVISION |
| DRAWN   | M.Rebase |           | 05.03.2015 |          |
| APPV'D  |          |           |            |          |

|   |  |                      |                |
|---|--|----------------------|----------------|
| PART NUMBER / DWG NO.:                                      |  | LM203                |                |
| DESCRIPTION:  |  |                      |                |
| Play Centre RICHARD<br>connecting playcorner-bench to panel |  |                      |                |
| MATERIAL:   |  | wood, metal, plastic | A4             |
| WEIGHT:   |  | SCALE: 1:10          | SHEET 18 OF 19 |



**Tiptiptap** OÜ

Tiptiptap OÜ  
Veetorni 9,  
Jüri alevik, Rae vald,  
75301 Harjumaa

A

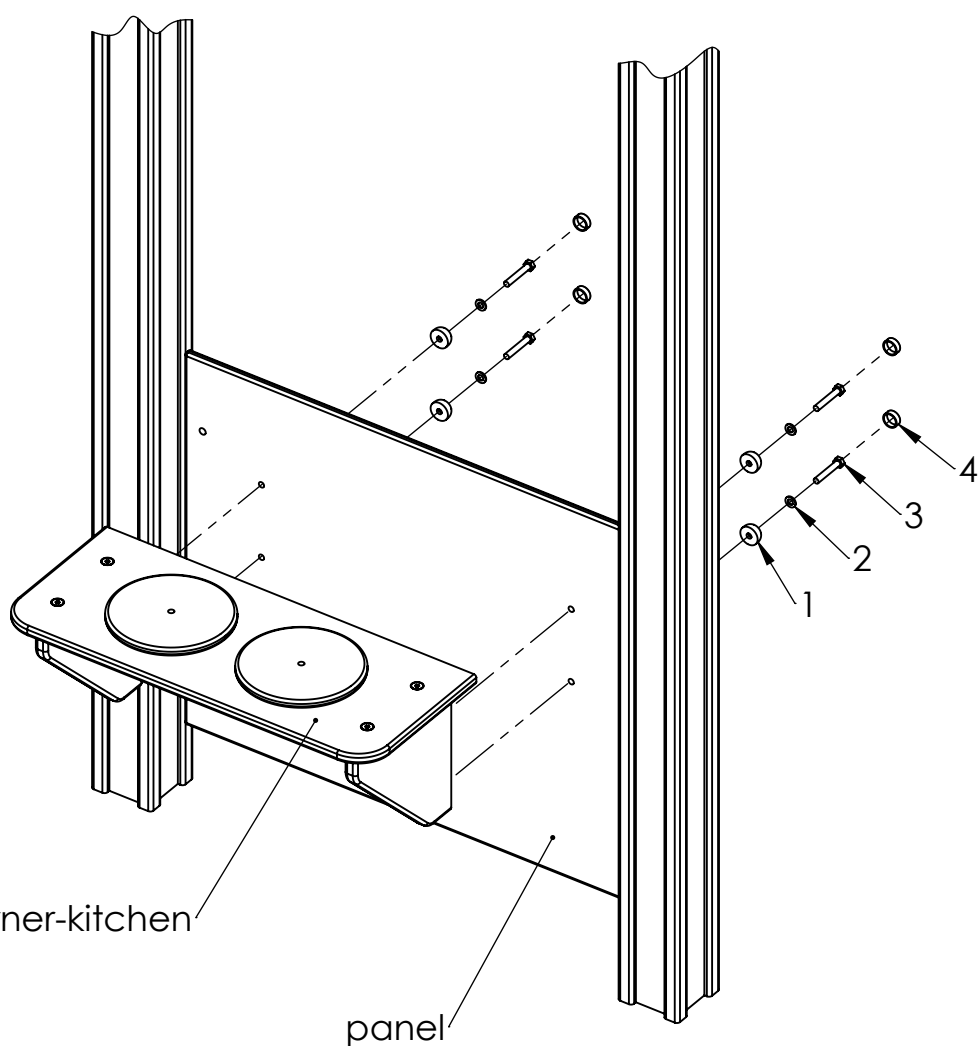
B

C

D

E

F



playcorner-kitchen

panel

| ITEM NO. | PART NUMBER       |
|----------|-------------------|
| 1        | nut cover M8      |
| 2        | washer M8         |
| 3        | bolt DIN933 M8x50 |
| 4        | nut cover cap M8  |

UNLESS OTHERWISE SPECIFIED:  
DIMENSIONS ARE IN MILLIMETERS  
WEIGHT ARE IN KILOGRAMM

PART NUMBER / DWG NO.:

LM203

|        | NAME     | SIGNATURE | DATE       | REVISION |
|--------|----------|-----------|------------|----------|
| DRAWN  | M.Rebase |           | 05.03.2015 |          |
| APPV'D |          |           |            |          |

DESCRIPTION:

Play Centre RICHARD  
connecting playcorner-kitchen to panel

MATERIAL:

wood, metal, plastic

A4

WEIGHT:

SCALE: 1:10

SHEET 19 OF 19



**Tiptaptap** OÜ

Tiptaptap OÜ  
Veetorni 9,  
Jüri alevik, Rae vald,  
75301 Harjumaa