

A

B

C

D

E

F



UNLESS OTHERWISE SPECIFIED:  
DIMENSIONS ARE IN MILLIMETERS  
WEIGHT ARE IN KILOGRAMM

PART NUMBER / DWG NO.:

LM202

	NAME	SIGNATURE	DATE	REVISION
DRAWN	Meelis Rebase		30.01.2014	
APPV'D				

DESCRIPTION:

Play Centre MARIA



**Tiptaptap** OÜ

Tiptaptap OÜ  
Veetorni 9,  
Jüri alevik, Rae vald,  
75301 Harjumaa

MATERIAL:

wood, metal, plastic

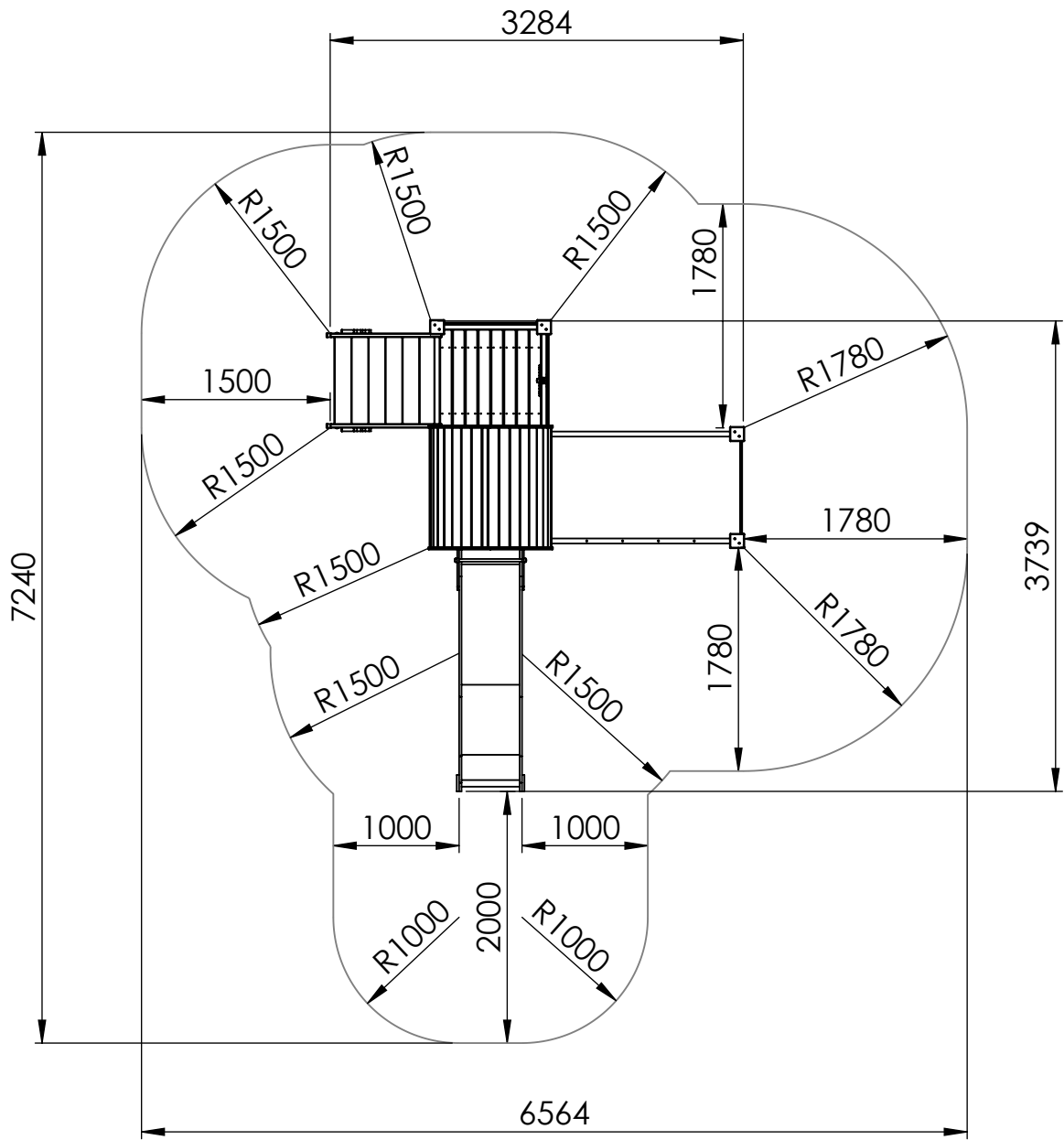
A4

WEIGHT:

SCALE: 1:30

SHEET 1 OF 14

# safety area



UNLESS OTHERWISE SPECIFIED:  
DIMENSIONS ARE IN MILLIMETERS  
WEIGHT ARE IN KILOGRAMM

PART NUMBER / DWG NO.:

LM202

	NAME	SIGNATURE	DATE	REVISION
DRAWN	Meelis Rebase		30.01.2014	
APPV'D				

DESCRIPTION:

Play Centre MARIA



**Tiptaptap** OÜ

Tiptaptap OÜ  
Veetorni 9,  
Jüri alevik, Rae vald,  
75301 Harjumaa

MATERIAL:

wood, metal, plastic

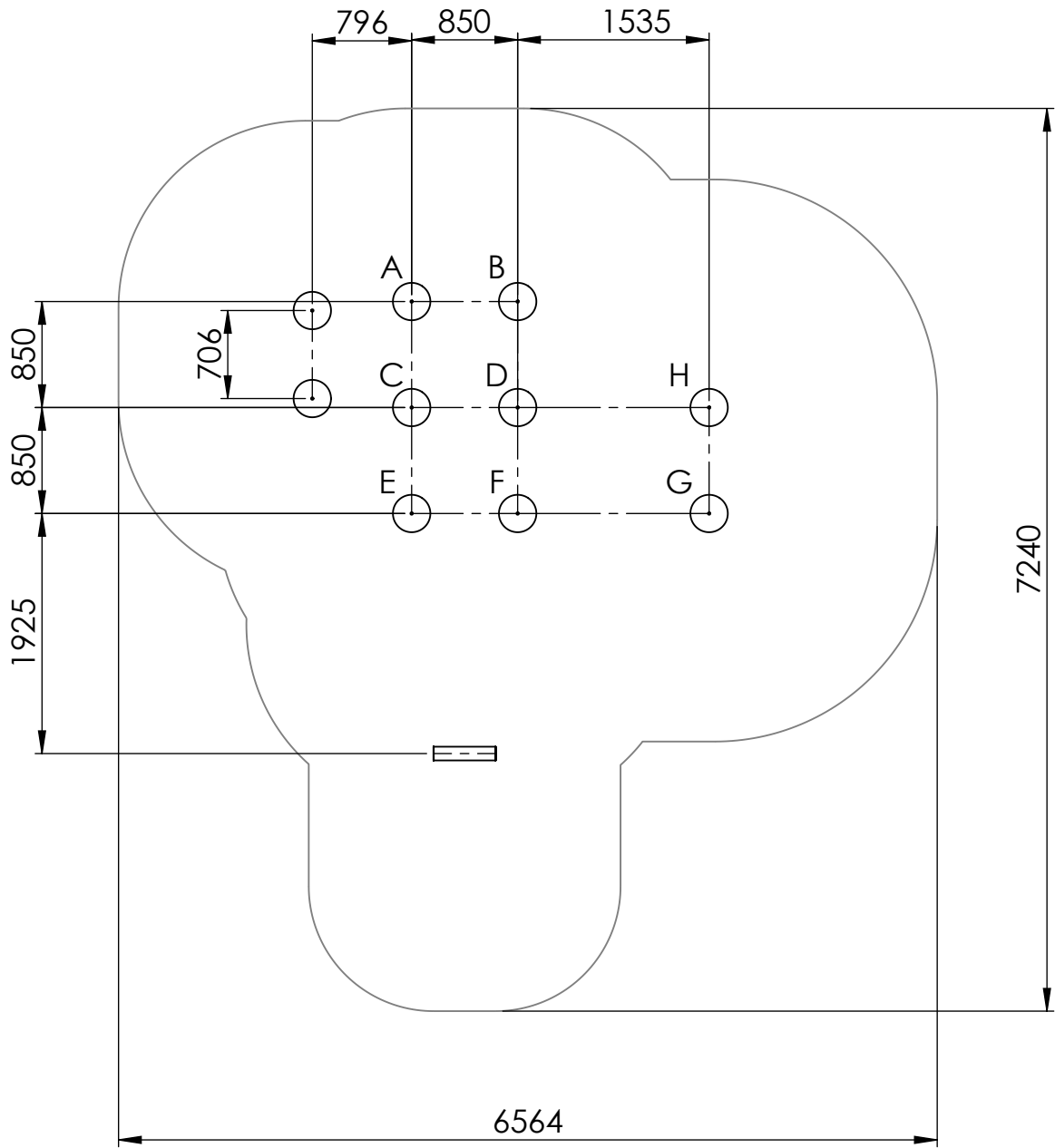
A4

WEIGHT:

SCALE: 1:55

SHEET 2 OF 14

# foundation



UNLESS OTHERWISE SPECIFIED:  
DIMENSIONS ARE IN MILLIMETERS  
WEIGHT ARE IN KILOGRAMM

PART NUMBER / DWG NO.:

LM202

	NAME	SIGNATURE	DATE	REVISION
DRAWN	Meelis Rebase		30.01.2014	
APPV'D				

DESCRIPTION:

Play Centre MARIA



**Tiptaptap** OÜ

Tiptaptap OÜ  
Veetorni 9,  
Jüri alevik, Rae vald,  
75301 Harjumaa

MATERIAL:

wood, metal, plastic

A4

WEIGHT:

SCALE: 1:55

SHEET 3 OF 14

A

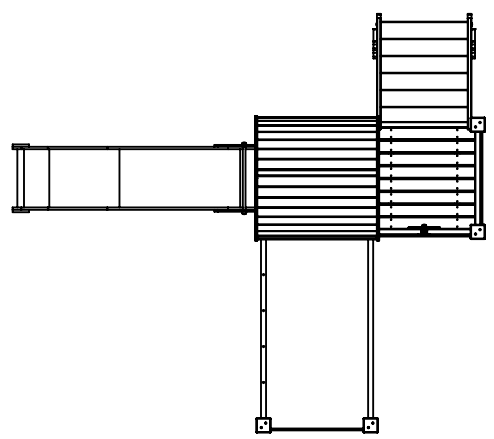
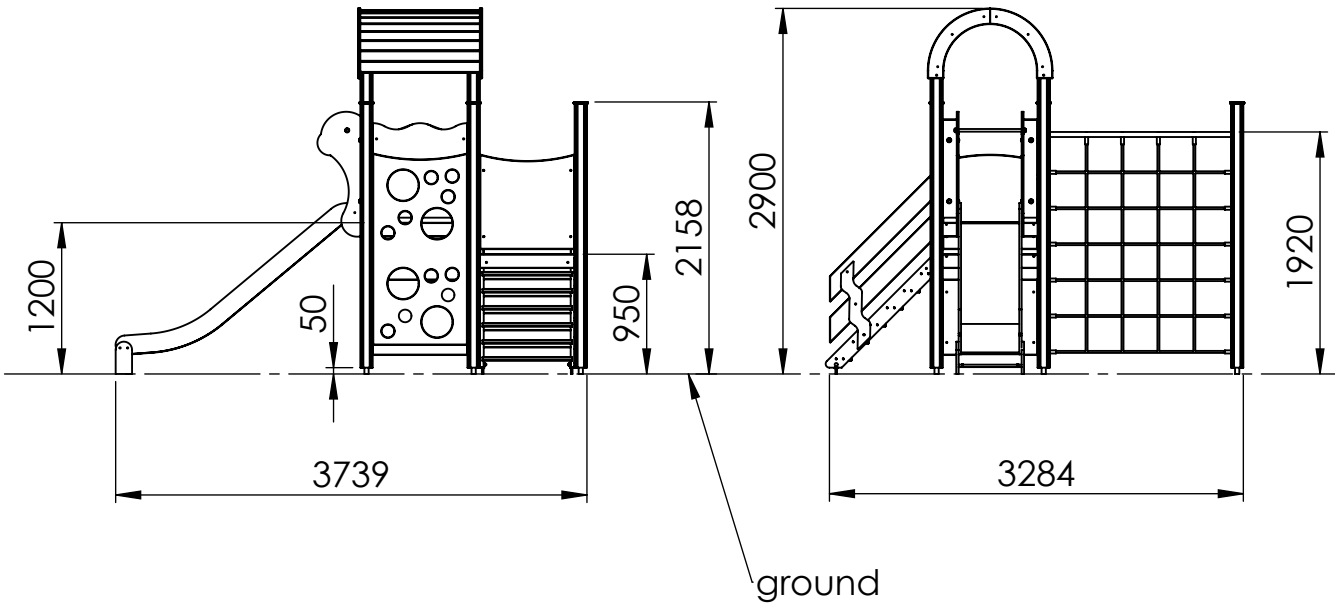
B

C

D

E

F



UNLESS OTHERWISE SPECIFIED:  
DIMENSIONS ARE IN MILLIMETERS  
WEIGHT ARE IN KILOGRAMM

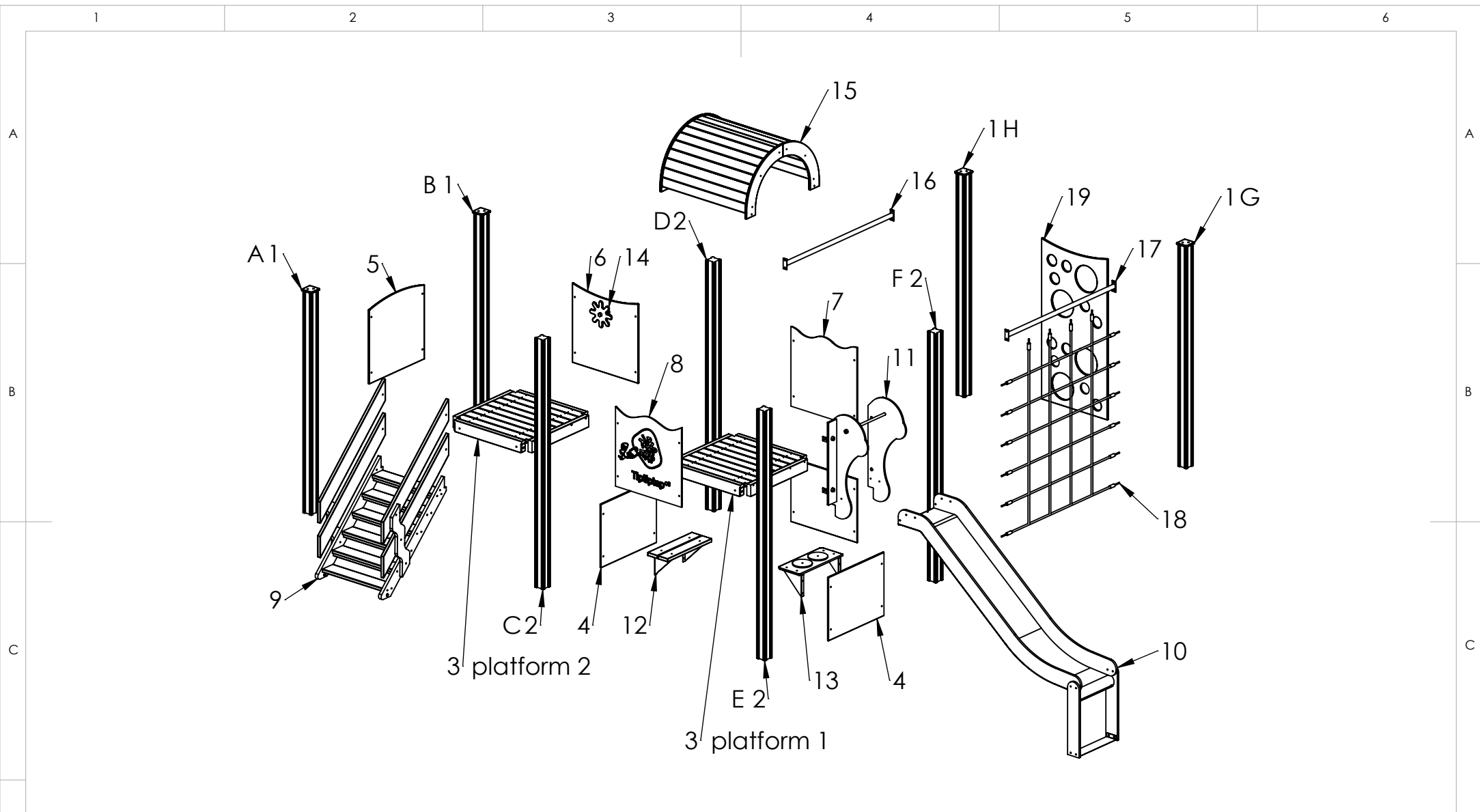
	NAME	SIGNATURE	DATE	REVISION
DRAWN	Meelis Rebase		30.01.2014	
APPV'D				


PART NUMBER / DWG NO.:	LM202
DESCRIPTION:	Play Centre MARIA



**Tiptaptap** OÜ  
Veetorni 9,  
Jüri alevik, Rae vald,  
75301 Harjumaa

MATERIAL:	wood, metal, plastic	A4
WEIGHT:	SCALE: 1:60	SHEET 4 OF 14



UNLESS OTHERWISE SPECIFIED: DIMENSIONS ARE IN MILLIMETERS WEIGHT ARE IN KILOGRAMM					PART NUMBER / DWG NO.: <b>LM202</b>	
	NAME	SIGNATURE	DATE	REVISION	DESCRIPTION: <b>Play Centre MARIA</b>	
DRAWN	Meelis Rebase		30.01.2014			
APPV'D						
 <b>Tiptap</b> OÜ Tiptap OÜ Veetorni 9, Jüri alevik, Rae vald, 75301 Harjumaa					MATERIAL: wood, metal, plastic	
					A4	
					WEIGHT:	
					SCALE: 1:45	
					SHEET 5 OF 14	

	1	2	3	4
	ITEM NO.	PART NUMBER	DESCRIPTION	QTY.
A	1	post 98x98x2100	laminated wood	4
	2	post 98x98x2350	laminated wood	4
	3	platform	laminated wood, metal	2
	4	panel 750x600	plywood	3
	5	panel 750x750	plywood	1
	6	panel 750x750	plywood	1
	7	panel 750x750	plywood	1
B	8	panel 750x750 with logo	15 mm plywood	1
	9	stairs	laminated wood	1
	10	slide h_1200	stainless steel, PE plastic	1
	11	slide guard block	plywood, metal, plastic	1
	12	playcorner-bench	laminated wood, plastic	1
	13	playcorner-kitchen	plywood, plastic	1
	14	captain wheel with fixings	plastic, metal	1
	15	roof	plywood, PE plastic	1
C	16	beam 40x1455	painted steel	1
	17	beam 40x1455 with holes	painted steel	1
	18	climbing net	PP covered steel wire	1
	19	climbing wall	plywood	1

D

E

F

UNLESS OTHERWISE SPECIFIED:  
DIMENSIONS ARE IN MILLIMETERS  
WEIGHT ARE IN KILOGRAMM

PART NUMBER / DWG NO.:

LM202

	NAME	SIGNATURE	DATE	REVISION
DRAWN	Meelis Rebase		30.01.2014	
APPV'D				

DESCRIPTION:

Play Centre MARIA



**Tiptaptap** OÜ

Tiptaptap OÜ  
Veetorni 9,  
Jüri alevik, Rae vald,  
75301 Harjumaa

MATERIAL:

wood, metal, plastic

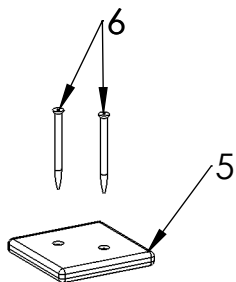
A4

WEIGHT:

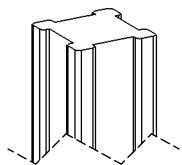
SCALE: 1:45

SHEET 6 OF 14

A

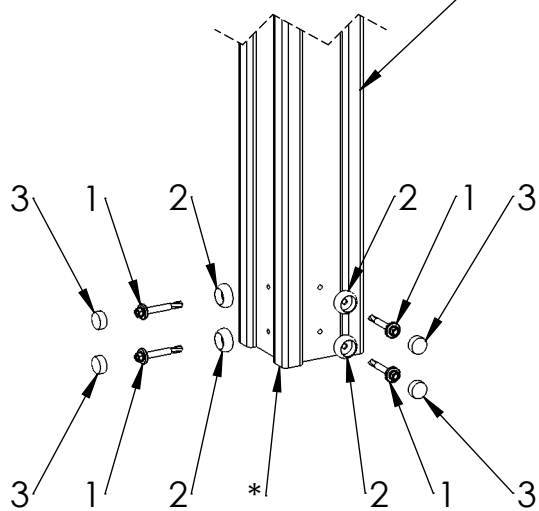


B

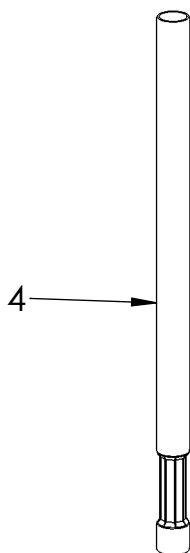


post

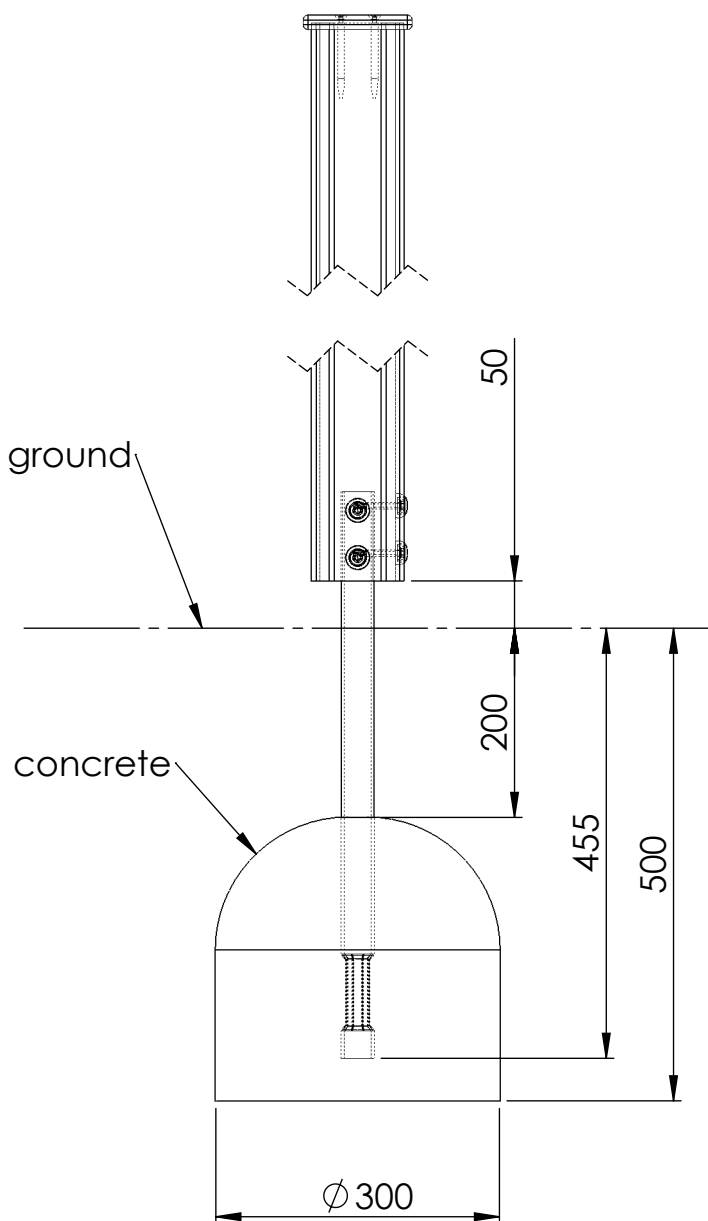
C



D



E



ITEM NO.	PART NUMBER
1	screw DIN7504K 5,5x50
2	nut cover M6
3	nut cover cap M6
4	metal ground fixing L_600
5	plastic cap 115x115
6	woodscrew 6 x 90

UNLESS OTHERWISE SPECIFIED:  
DIMENSIONS ARE IN MILLIMETERS  
WEIGHT ARE IN KILOGRAMM

PART NUMBER / DWG NO.:

LM202

	NAME	SIGNATURE	DATE	REVISION
DRAWN	Meelis Rebase		30.01.2014	
APPV'D				

DESCRIPTION:

Play Centre MARIA  
connecting metal ground fixing to post

F



**Tiptaptap** OÜ

Tiptaptap OÜ  
Veetorni 9,  
Jüri alevik, Rae vald,  
75301 Harjumaa

MATERIAL:

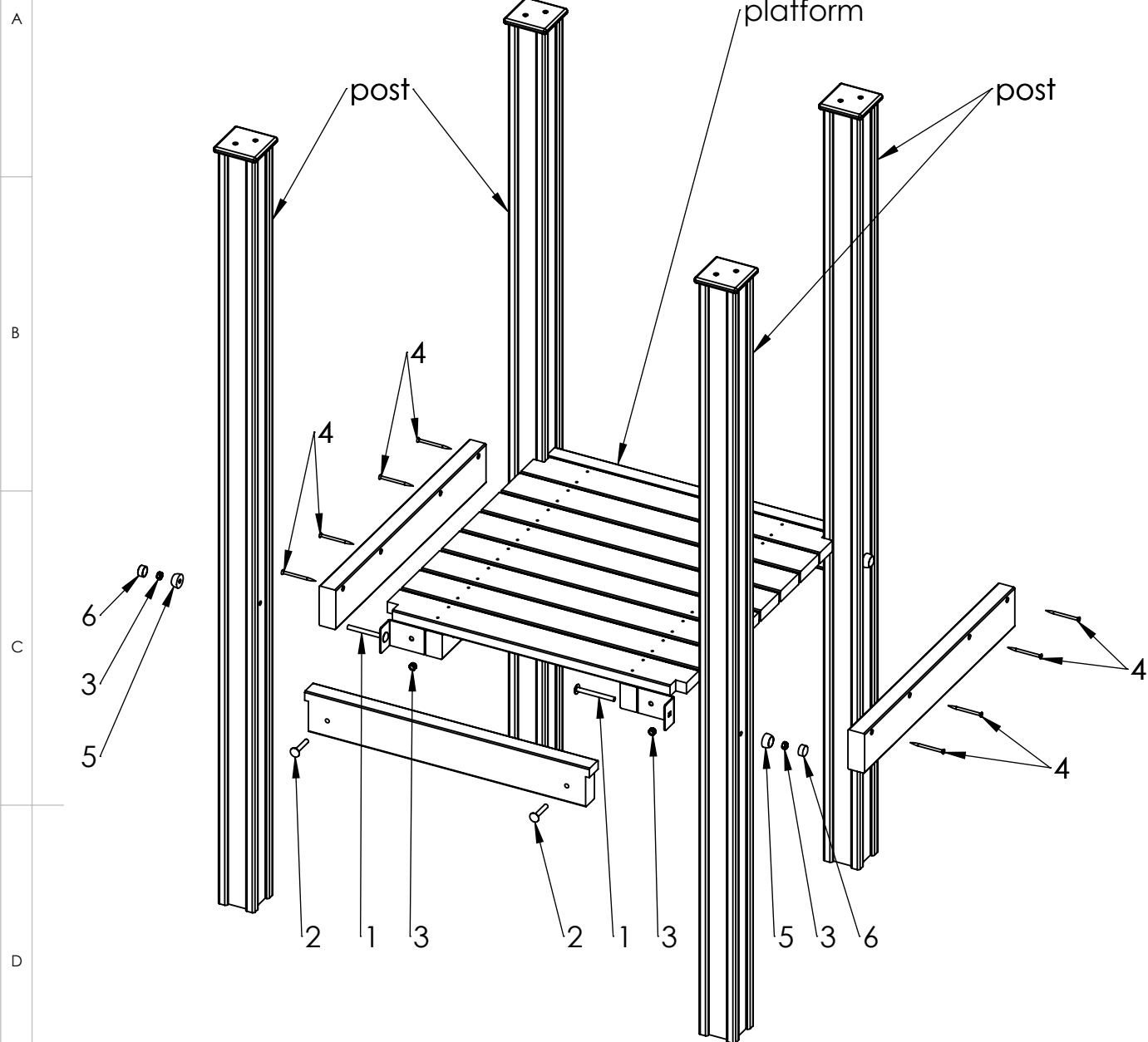
wood, metal, plastic

A4

WEIGHT:

SCALE: 1:8

SHEET 7 OF 14



E

ITEM NO.	PART NUMBER
1	bolt DIN603 M10x100
2	bolt DIN603 M10x60
3	nut DIN985 M10
4	woodscrew 6 x 90
5	nut cover M10
6	nut cover cap M10

F

UNLESS OTHERWISE SPECIFIED:  
DIMENSIONS ARE IN MILLIMETERS  
WEIGHT ARE IN KILOGRAMM

	NAME	SIGNATURE	DATE	REVISION
DRAWN	Meelis Rebase		30.01.2014	
APPV'D				

PART NUMBER / DWG NO.:

LM202

DESCRIPTION:

Play Centre MARIA  
connecting platform to post

MATERIAL:

wood, metal, plastic

A4

WEIGHT:

SCALE: 1:15

SHEET 8 OF 14



**Tiptaptap** OÜ

Tiptaptap OÜ  
Veetorni 9,  
Jüri alevik, Rae vald,  
75301 Harjumaa



A

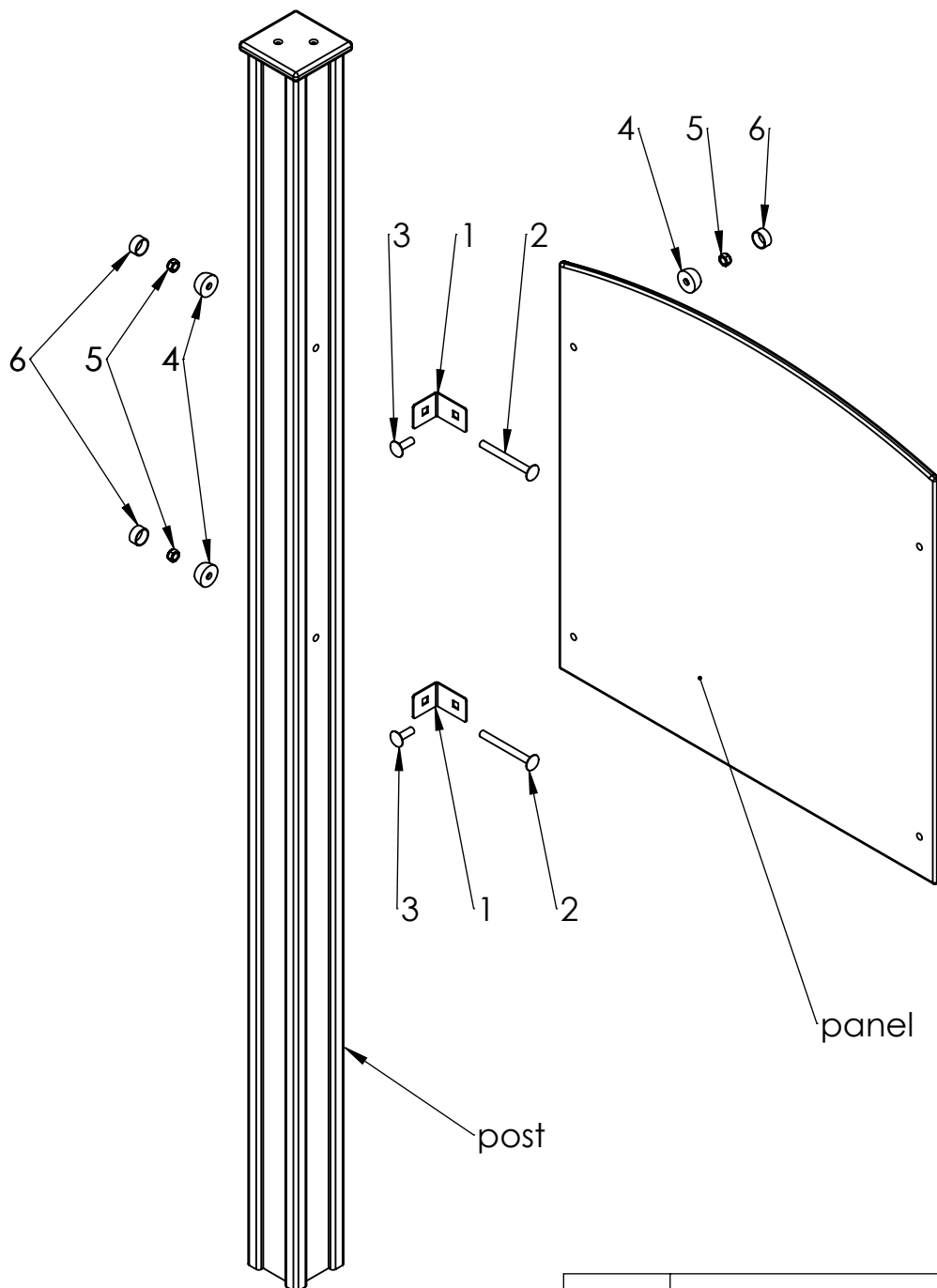
B

C

D

E

F



ITEM NO.	PART NUMBER
1	corner 48x60
2	bolt DIN603 M10x100
3	bolt DIN603 M10x30
4	nut cover M10
5	nut DIN985 M10
6	nut cover cap M10

UNLESS OTHERWISE SPECIFIED:  
DIMENSIONS ARE IN MILLIMETERS  
WEIGHT ARE IN KILOGRAMM

PART NUMBER / DWG NO.:

LM202

	NAME	SIGNATURE	DATE	REVISION
DRAWN	Meelis Rebase		30.01.2014	
APPV'D				

DESCRIPTION:

Play Centre MARIA  
connecting panel to post

MATERIAL:

wood, metal, plastic

A4

WEIGHT:

SCALE: 1:10

SHEET 9 OF 14



**Tiptap** OÜ

Tiptap OÜ  
Veetorni 9,  
Jüri alevik, Rae vald,  
75301 Harjumaa

A

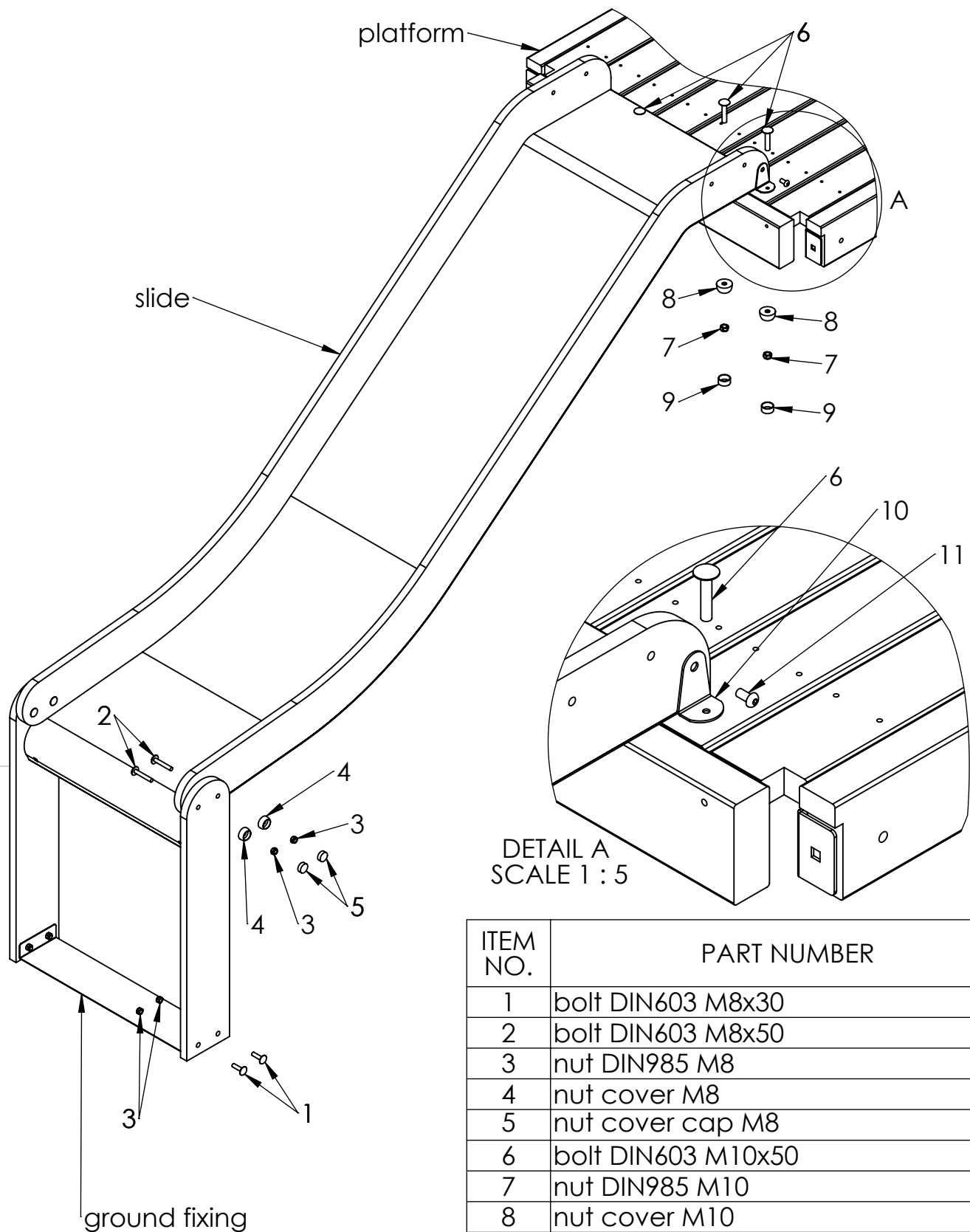
B

C

D

E

F



DETAIL A  
SCALE 1 : 5

ITEM NO.	PART NUMBER
1	bolt DIN603 M8x30
2	bolt DIN603 M8x50
3	nut DIN985 M8
4	nut cover M8
5	nut cover cap M8
6	bolt DIN603 M10x50
7	nut DIN985 M10
8	nut cover M10
9	nut cover cap M10
10	corner 58x30
11	metal screw DIN 7380 M8x16

UNLESS OTHERWISE SPECIFIED:  
DIMENSIONS ARE IN MILLIMETERS  
WEIGHT ARE IN KILOGRAMM

	NAME	SIGNATURE	DATE	REVISION
DRAWN	Meelis Rebase		30.01.2014	
APPV'D				

PART NUMBER / DWG NO.:

LM202

DESCRIPTION:

Play Centre MARIA  
connecting slide to platform

MATERIAL:

wood, metal, plastic

A4

WEIGHT:

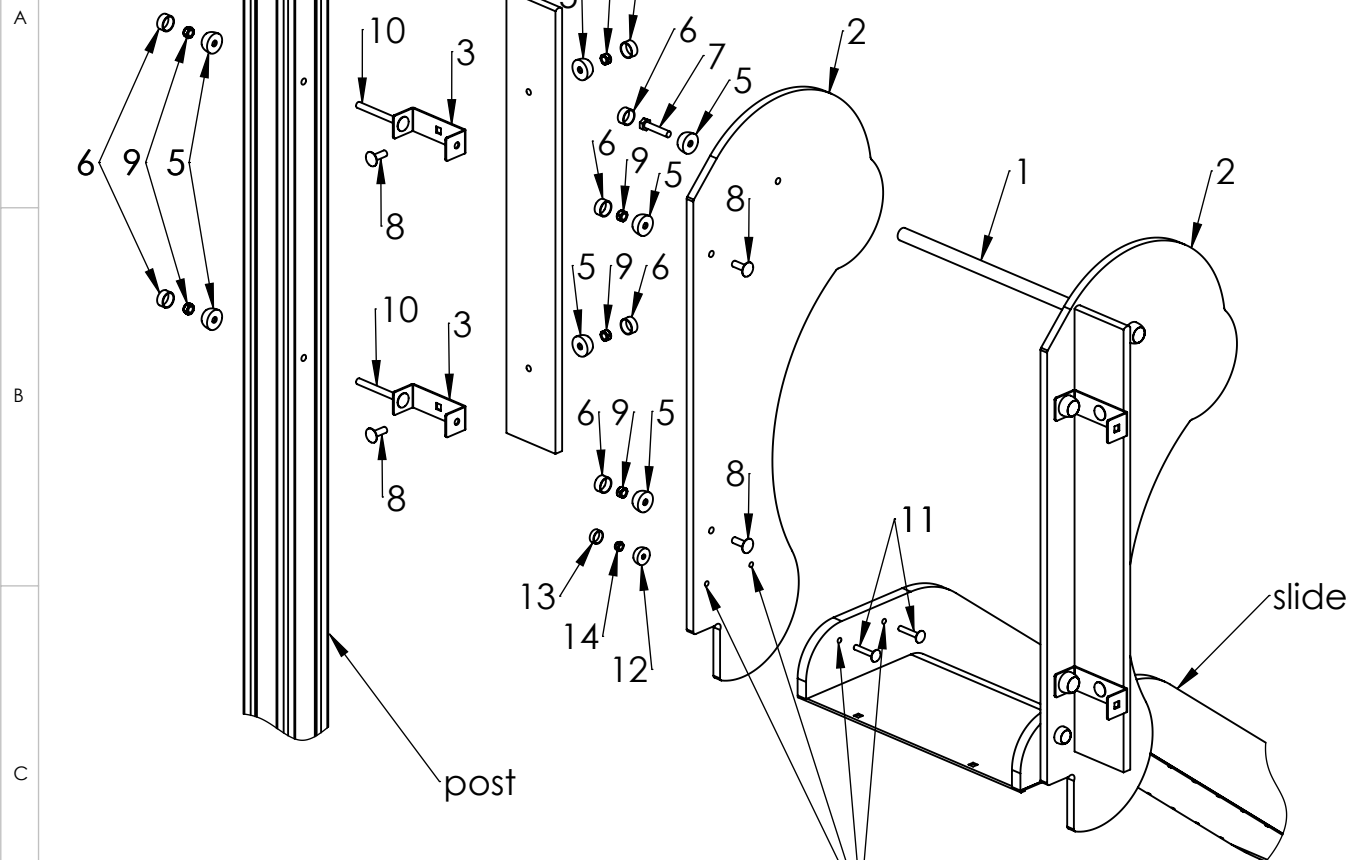
SCALE: 1:12

SHEET 10 OF 14



**Tiptaptap** OÜ

Tiptaptap OÜ  
Veetorni 9,  
Jüri alevik, Rae vald,  
75301 Harjumaa



It is important to drill 8,5mm holes through side panel and slide.

ITEM NO.	PART NUMBER
1	slide guardrail
2	slide side panel
3	slide side panel fixing 40x120
4	side panel 110x780
5	nut cover M10
6	nut cover cap M10
7	bolt DIN931 M10x50
8	bolt DIN603 M10x30
9	nut DIN985 M10
10	bolt DIN603 M10x100
11	bolt DIN603 M8x45
12	nut cover M8
13	nut cover cap M8
14	nut DIN985 M8

UNLESS OTHERWISE SPECIFIED:  
DIMENSIONS ARE IN MILLIMETERS  
WEIGHT ARE IN KILOGRAMM

PART NUMBER / DWG NO.:

LM202

	NAME	SIGNATURE	DATE	REVISION
DRAWN	Meelis Rebase		30.01.2014	
APPV'D				

DESCRIPTION:

Play Centre MARIA  
connecting slide guard block to post

MATERIAL:

wood, metal, plastic

A4

WEIGHT:

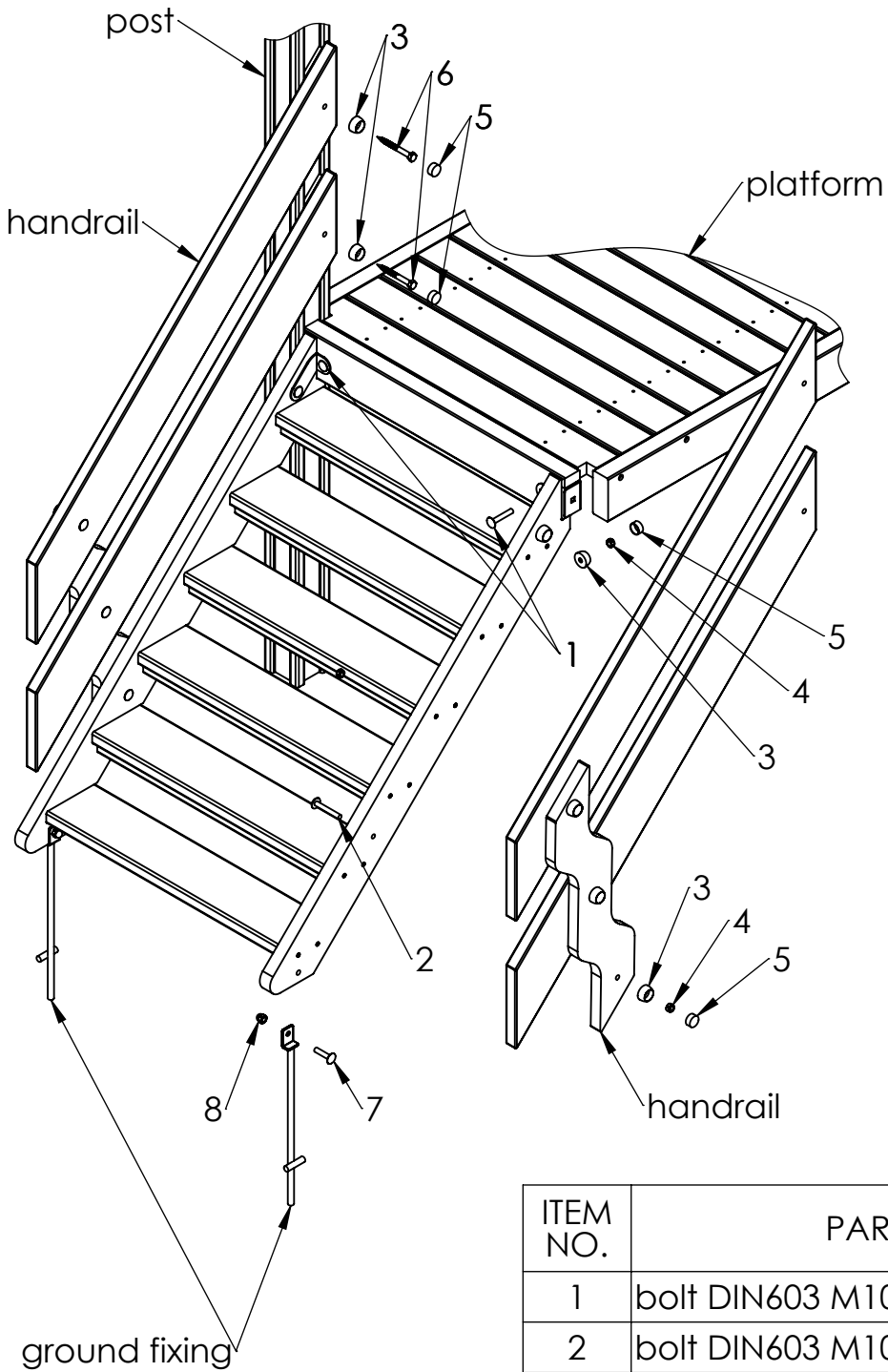
SCALE: 1:12

SHEET 11 OF 14



**Tiptaptap** OÜ

Tiptaptap OÜ  
Veetorni 9,  
Jüri alevik, Rae vald,  
75301 Harjumaa



ITEM NO.	PART NUMBER
1	bolt DIN603 M10x60
2	bolt DIN603 M10x70
3	nut cover M10
4	nut DIN985 M10
5	nut cover cap M10
6	wood screw DIN571 10x100
7	bolt DIN603 M10x45
8	domed cap nut DIN1587 M10

UNLESS OTHERWISE SPECIFIED:  
DIMENSIONS ARE IN MILLIMETERS  
WEIGHT ARE IN KILOGRAMM

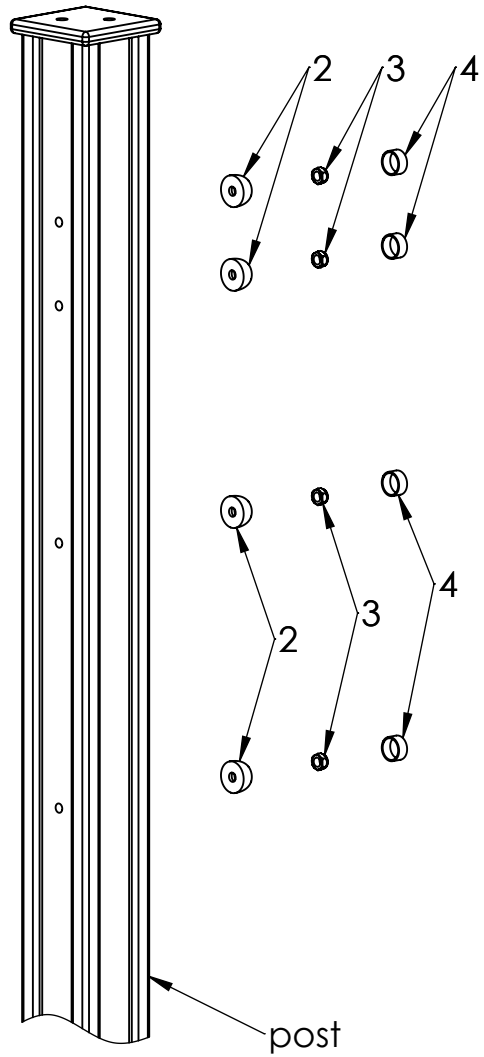
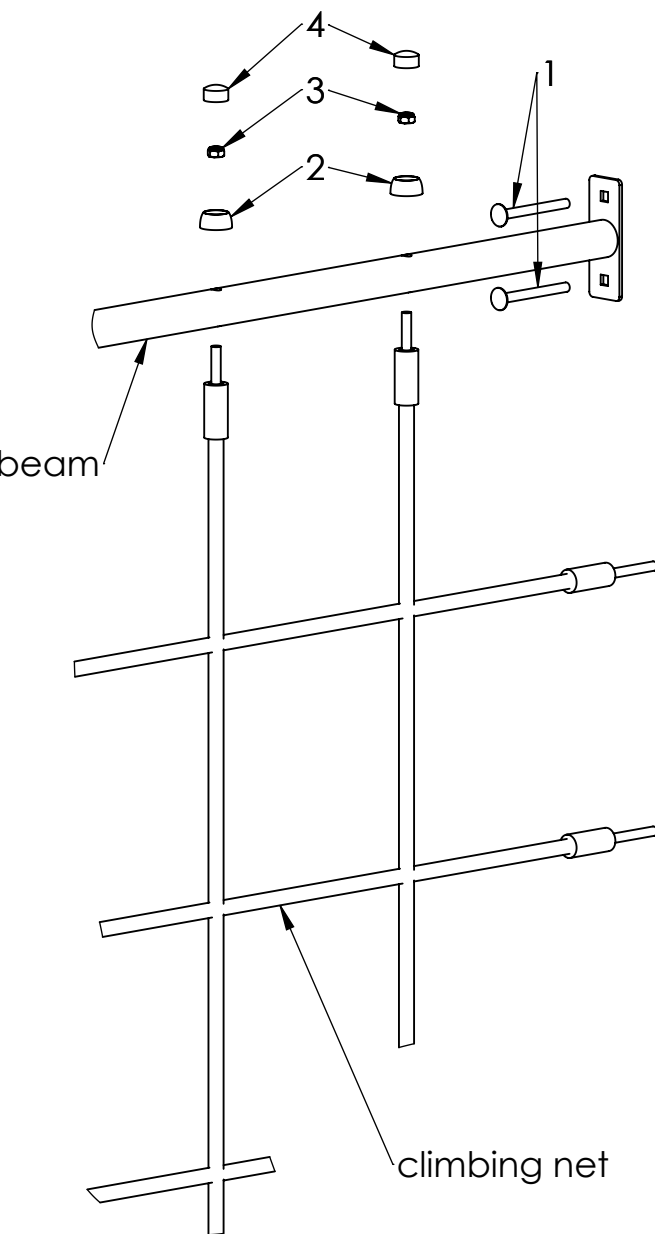
PART NUMBER / DWG NO.:  
**LM202**

	NAME	SIGNATURE	DATE	REVISION
DRAWN	Meelis Rebase		30.01.2014	
APPV'D				

DESCRIPTION:  
**Play Centre MARIA  
connecting stairs to platform**


**Tiptaptap** OÜ  
 Veetorni 9,  
 Jüri alevik, Rae vald,  
 75301 Harjumaa

MATERIAL:	wood, metal, plastic	A4
WEIGHT:	SCALE: 1:15	SHEET 12 OF 14



ITEM NO.	PART NUMBER
1	bolt DIN603 M10x100
2	nut cover M10
3	nut DIN985 M10
4	nut cover cap M10
6	beam 40x1455 for net

UNLESS OTHERWISE SPECIFIED:  
DIMENSIONS ARE IN MILLIMETERS  
WEIGHT ARE IN KILOGRAMM

PART NUMBER / DWG NO.:

LM202

	NAME	SIGNATURE	DATE	REVISION
DRAWN	Meelis Rebase		30.01.2014	
APPV'D				

DESCRIPTION:

Play Centre MARIA  
connecting beam and climbing net to post

MATERIAL:

wood, metal, plastic

A4

WEIGHT:

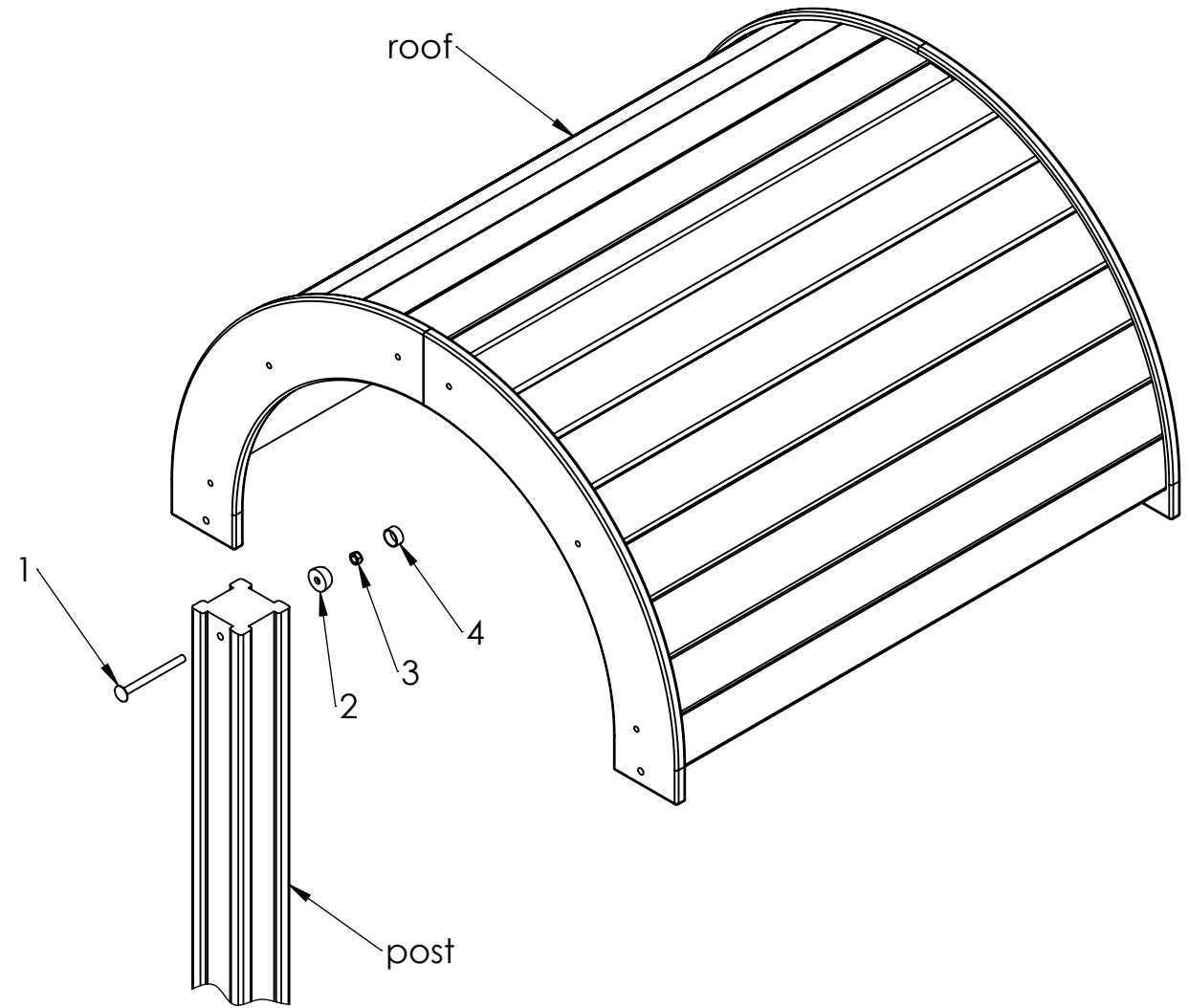
SCALE: 1:8

SHEET 13 OF 14



**Tiptaptap** OÜ

Tiptaptap OÜ  
Veetorni 9,  
Jüri alevik, Rae vald,  
75301 Harjumaa



ITEM NO.	PART NUMBER
1	bolt DIN603 M10x120
2	nut cover M10
3	nut DIN985 M10
4	nut cover cap M10

UNLESS OTHERWISE SPECIFIED:  
DIMENSIONS ARE IN MILLIMETERS  
WEIGHT ARE IN KILOGRAMM

PART NUMBER / DWG NO.:

LM202

	NAME	SIGNATURE	DATE	REVISION
DRAWN	Meelis Rebase		30.01.2014	
APPV'D				

DESCRIPTION:

Play Centre MARIA  
connecting roof to post



**Tiptaptap** OÜ

Tiptaptap OÜ  
Veetorni 9,  
Jüri alevik, Rae vald,  
75301 Harjumaa

MATERIAL:

wood, metal, plastic

A4

WEIGHT:

SCALE: 1:10

SHEET 14 OF 14