

A

B

C

D

E

F



UNLESS OTHERWISE SPECIFIED:  
DIMENSIONS ARE IN MILLIMETERS  
WEIGHT ARE IN KILOGRAMM

PART NUMBER / DWG NO.:

LM202

	NAME	SIGNATURE	DATE	REVISION
DRAWN	Meelis Rebase		29.05.2015	
APPV'D				

DESCRIPTION:

Play Centre MARIA



**Tiptaptap** OÜ

Tiptaptap OÜ  
Veetorni 9,  
Jüri alevik, Rae vald,  
75301 Harjumaa

MATERIAL:

wood, metal, plastic

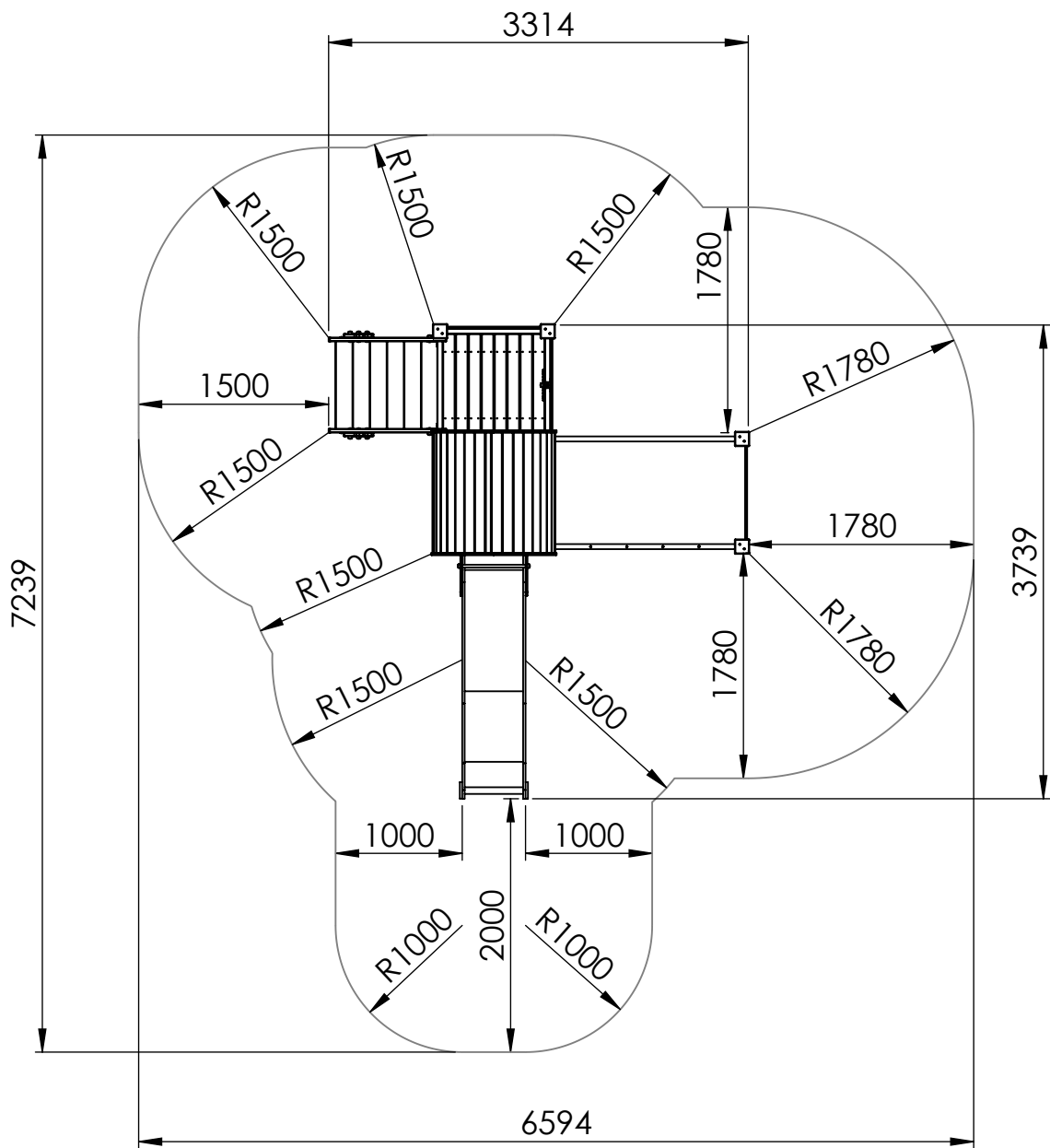
A4

WEIGHT:

SCALE: 1:30

SHEET 1 OF 17

# safety area



UNLESS OTHERWISE SPECIFIED:  
DIMENSIONS ARE IN MILLIMETERS  
WEIGHT ARE IN KILOGRAMM

PART NUMBER / DWG NO.:

LM202

	NAME	SIGNATURE	DATE	REVISION
DRAWN	Meelis Rebase		29.05.2015	
APPV'D				

DESCRIPTION:

Play Centre MARIA



**Tiptaptap** OÜ

Tiptaptap OÜ  
Veetorni 9,  
Jüri alevik, Rae vald,  
75301 Harjumaa

MATERIAL:

wood, metal, plastic

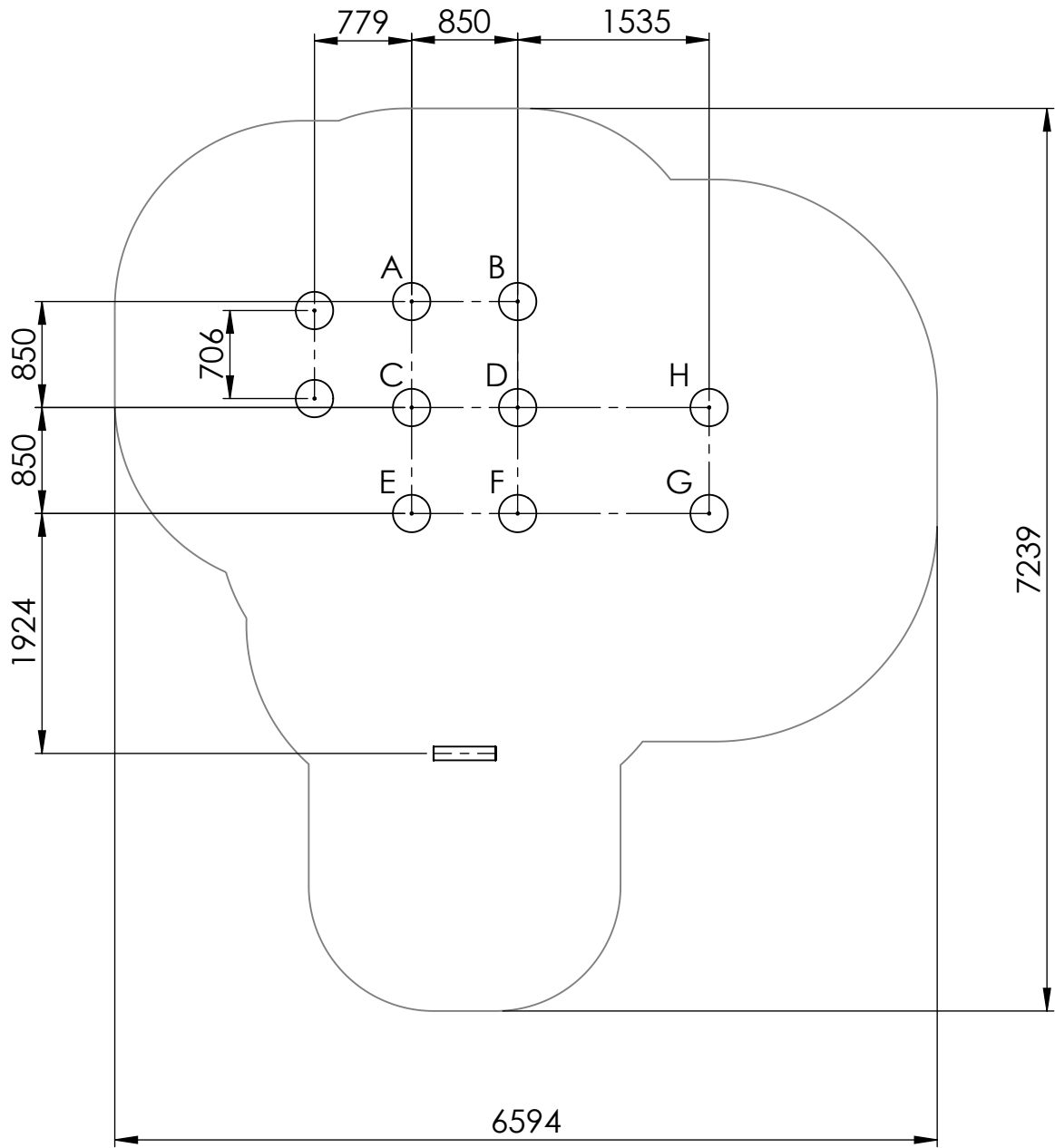
A4

WEIGHT:

SCALE: 1:55

SHEET 2 OF 17

# foundation



depth of foundation 500mm

UNLESS OTHERWISE SPECIFIED:  
DIMENSIONS ARE IN MILLIMETERS  
WEIGHT ARE IN KILOGRAMM

PART NUMBER / DWG NO.:

LM202

	NAME	SIGNATURE	DATE	REVISION
DRAWN	Meelis Rebase		29.05.2015	
APPV'D				

DESCRIPTION:

Play Centre MARIA



**Tiptap** OÜ

Tiptap OÜ  
Veetorni 9,  
Jüri alevik, Rae vald,  
75301 Harjumaa

MATERIAL:

wood, metal, plastic

A4

WEIGHT:

SCALE: 1:55

SHEET 3 OF 17

A

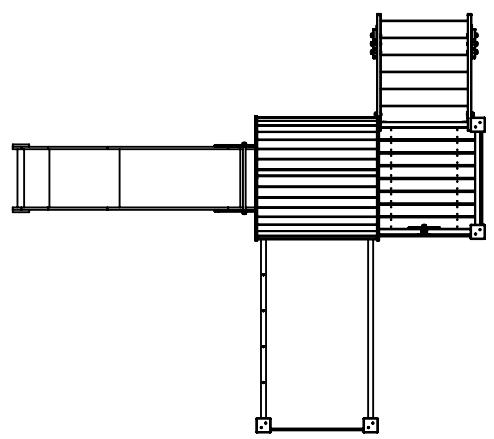
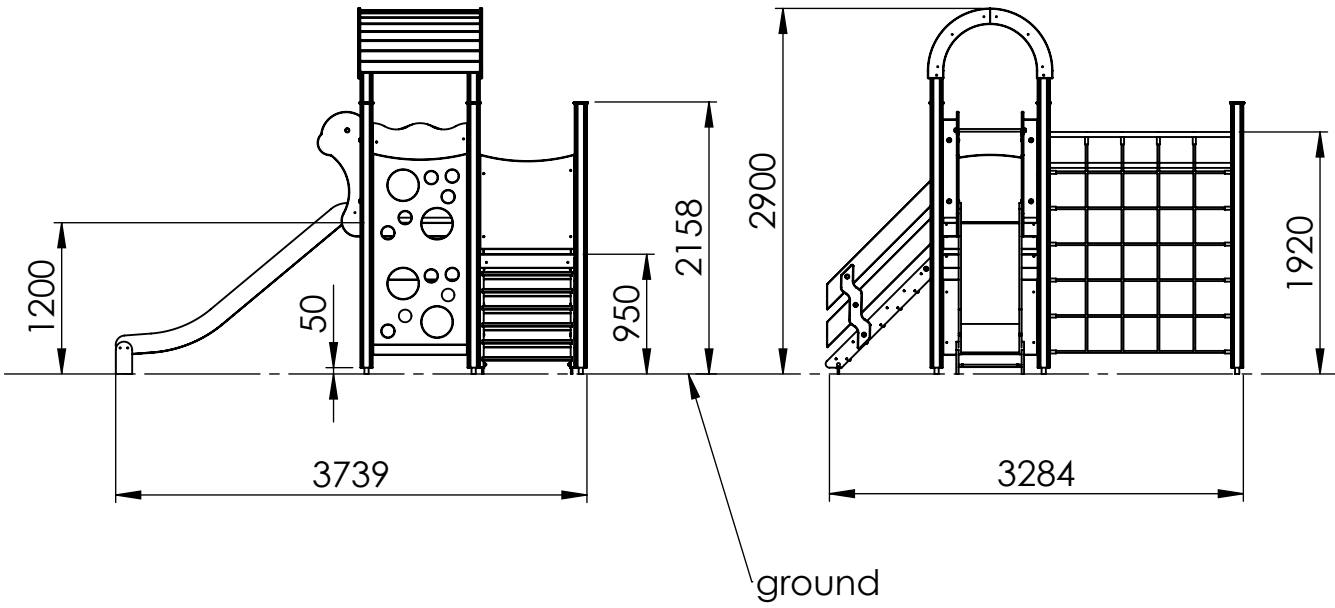
B

C

D

E

F



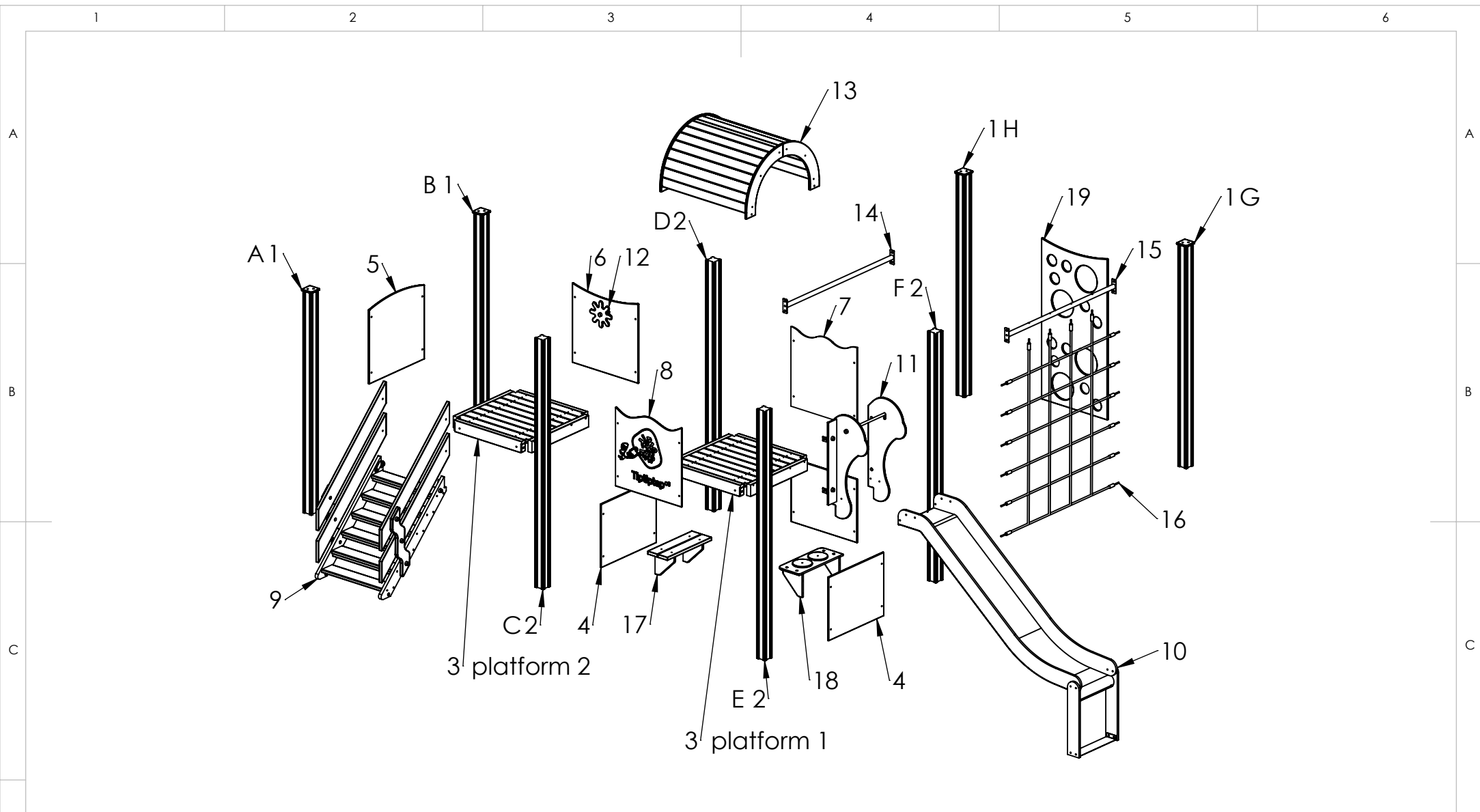
UNLESS OTHERWISE SPECIFIED: DIMENSIONS ARE IN MILLIMETERS WEIGHT ARE IN KILOGRAMM				
	NAME	SIGNATURE	DATE	REVISION
DRAWN	Meelis Rebase		29.05.2015	
APPV'D				


PART NUMBER / DWG NO.:	LM202
DESCRIPTION:	Play Centre MARIA



**Tiptaptap** OÜ  
Veetorni 9,  
Jüri alevik, Rae vald,  
75301 Harjumaa


MATERIAL:	wood, metal, plastic	A4
WEIGHT:	SCALE: 1:60	SHEET 4 OF 17



UNLESS OTHERWISE SPECIFIED: DIMENSIONS ARE IN MILLIMETERS WEIGHT ARE IN KILOGRAMM					PART NUMBER / DWG NO.: <b>LM202</b>	
	NAME	SIGNATURE	DATE	REVISION	DESCRIPTION: <b>Play Centre MARIA</b>	
DRAWN	Meelis Rebase		29.05.2015		MATERIAL: wood, metal, plastic	
APPV'D					A4	
 <b>Tiptaptap</b> OÜ Tiptaptap OÜ Veetorni 9, Jüri alevik, Rae vald, 75301 Harjumaa					WEIGHT: SCALE: 1:45	
					SHEET 5 OF 17	

ITEM NO.	PART NUMBER	DESCRIPTION	QTY.
1	post 98x98x2100	laminated wood	4
2	post 98x98x2350	laminated wood	4
3	platform	laminated wood, metal	2
4	panel 750x600	plywood	3
5	panel 750x750	plywood	1
6	panel 750x750	plywood	1
7	panel 750x750	plywood	1
8	panel 750x750 with logo	plywood	1
9	stairs	laminated wood	1
10	slide h_1200	stainless steel, PE plastic	1
11	slide guard block	plywood, metal, plastic	1
12	captain wheel with fixings	plastic, metal	1
13	roof	wood, PE plastic	1
14	beam 40x1455	painted steel	1
15	beam 40x1455 for net	painted steel	1
16	climbing net	PP covered steel wire	1
17	playcorner-bench	laminated wood, plastic	1
18	playcorner-kitchen	plywood, plastic	1
19	climbing wall h_750x1520	plywood	1

D	
E	

UNLESS OTHERWISE SPECIFIED: DIMENSIONS ARE IN MILLIMETERS WEIGHT ARE IN KILOGRAMM				PART NUMBER / DWG NO.:  <b>LM202</b>	
	NAME	SIGNATURE	DATE	REVISION	DESCRIPTION:  <b>Play Centre MARIA</b>
DRAWN	Meelis Rebase		29.05.2015		
APPV'D					
 <b>Tiptiptap</b> OÜ Tiptiptap OÜ Veetorni 9, Jüri alevik, Rae vald, 75301 Harjumaa				MATERIAL: <b>wood, metal, plastic</b>	
				WEIGHT:	SCALE: 1:45
				A4	
				SHEET 6 OF 17	

A

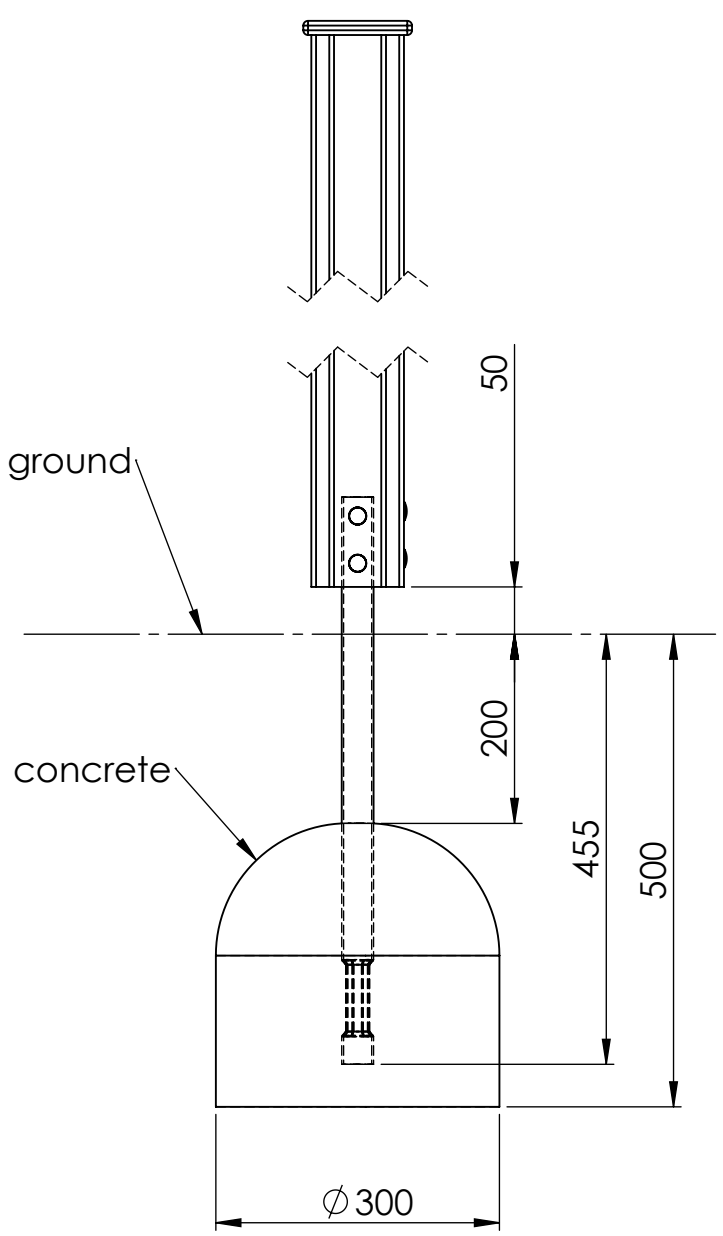
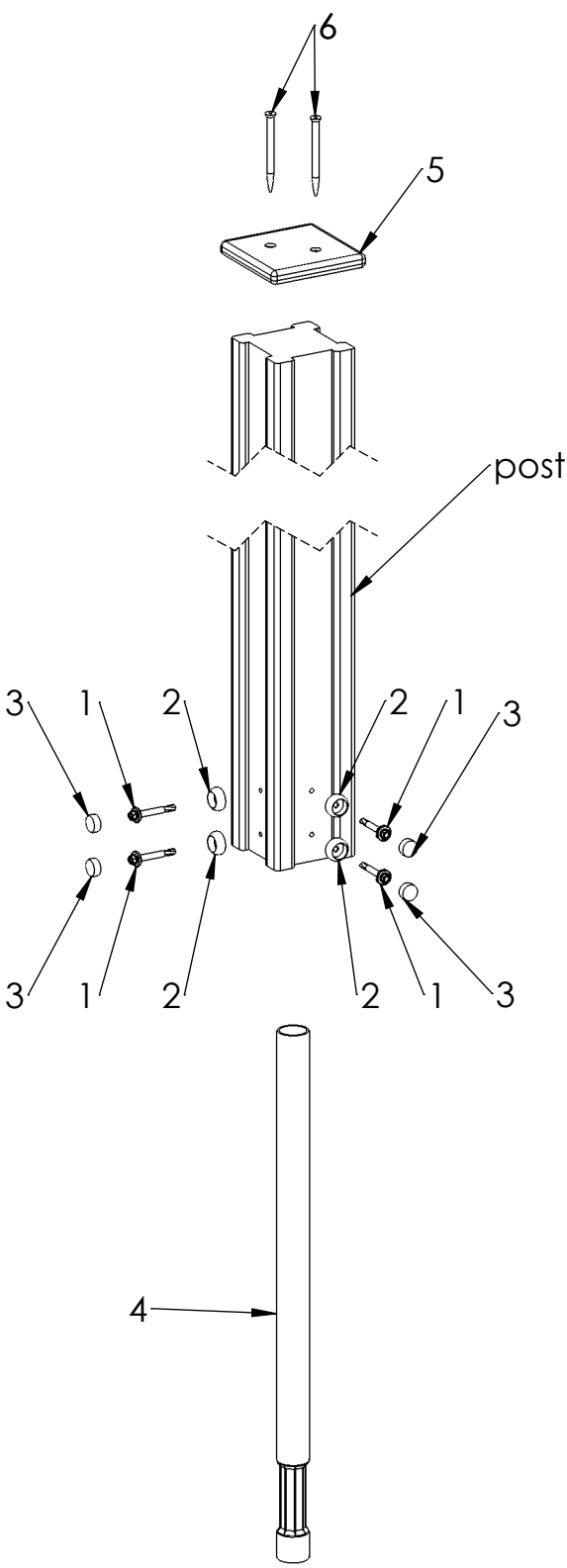
B

C

D

E

F



ITEM NO.	PART NUMBER
1	screw DIN7504K 5,5x50
2	nut cover M6
3	nut cover cap M6
4	metal ground fixing L_600
5	plastic cap 115x115
6	woodscrew 6 x 90

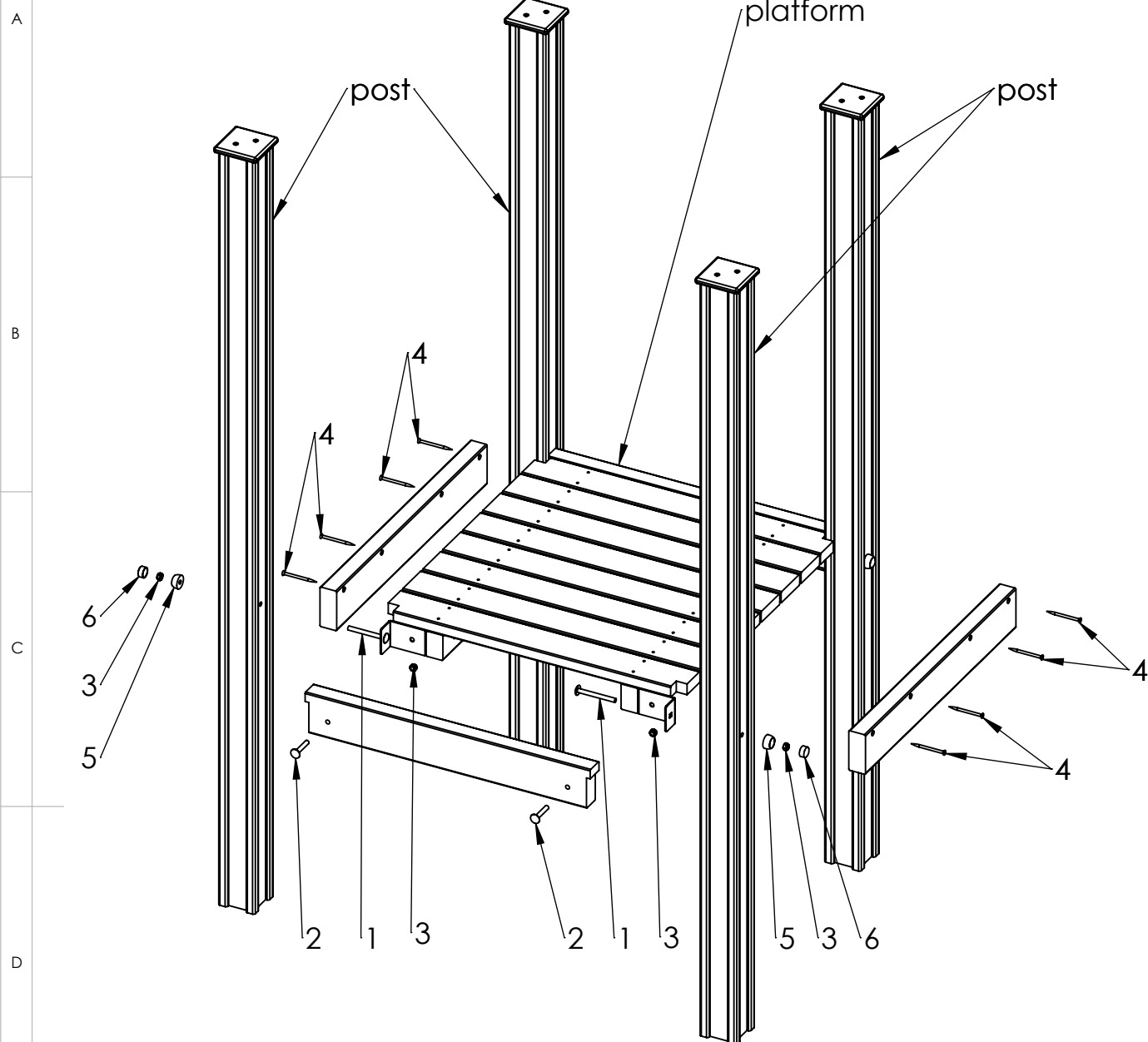
UNLESS OTHERWISE SPECIFIED: DIMENSIONS ARE IN MILLIMETERS WEIGHT ARE IN KILOGRAMM				
	NAME	SIGNATURE	DATE	REVISION
DRAWN	Meelis Rebase		29.05.2015	
APPV'D				

PART NUMBER / DWG NO.:	LM202
DESCRIPTION:	Play Centre MARIA connecting metal ground fixing to post



**Tiptaptap** OÜ  
 Veetorni 9,  
 Jüri alevik, Rae vald,  
 75301 Harjumaa

MATERIAL:	wood, metal, plastic	A4
WEIGHT:	SCALE: 1:8	SHEET 7 OF 17



E

ITEM NO.	PART NUMBER
1	bolt DIN603 M10x100
2	bolt DIN603 M10x60
3	nut DIN985 M10
4	woodscrew 6 x 90
5	nut cover M10
6	nut cover cap M10

F

UNLESS OTHERWISE SPECIFIED:  
DIMENSIONS ARE IN MILLIMETERS  
WEIGHT ARE IN KILOGRAMM

	NAME	SIGNATURE	DATE	REVISION
DRAWN	Meelis Rebase		29.05.2015	
APPV'D				

PART NUMBER / DWG NO.:

LM202

DESCRIPTION:

Play Centre MARIA  
connecting platform to post

MATERIAL:

wood, metal, plastic

A4

WEIGHT:

SCALE: 1:15

SHEET 8 OF 17



**Tiptaptap** OÜ

Tiptaptap OÜ  
Veetorni 9,  
Jüri alevik, Rae vald,  
75301 Harjumaa



A

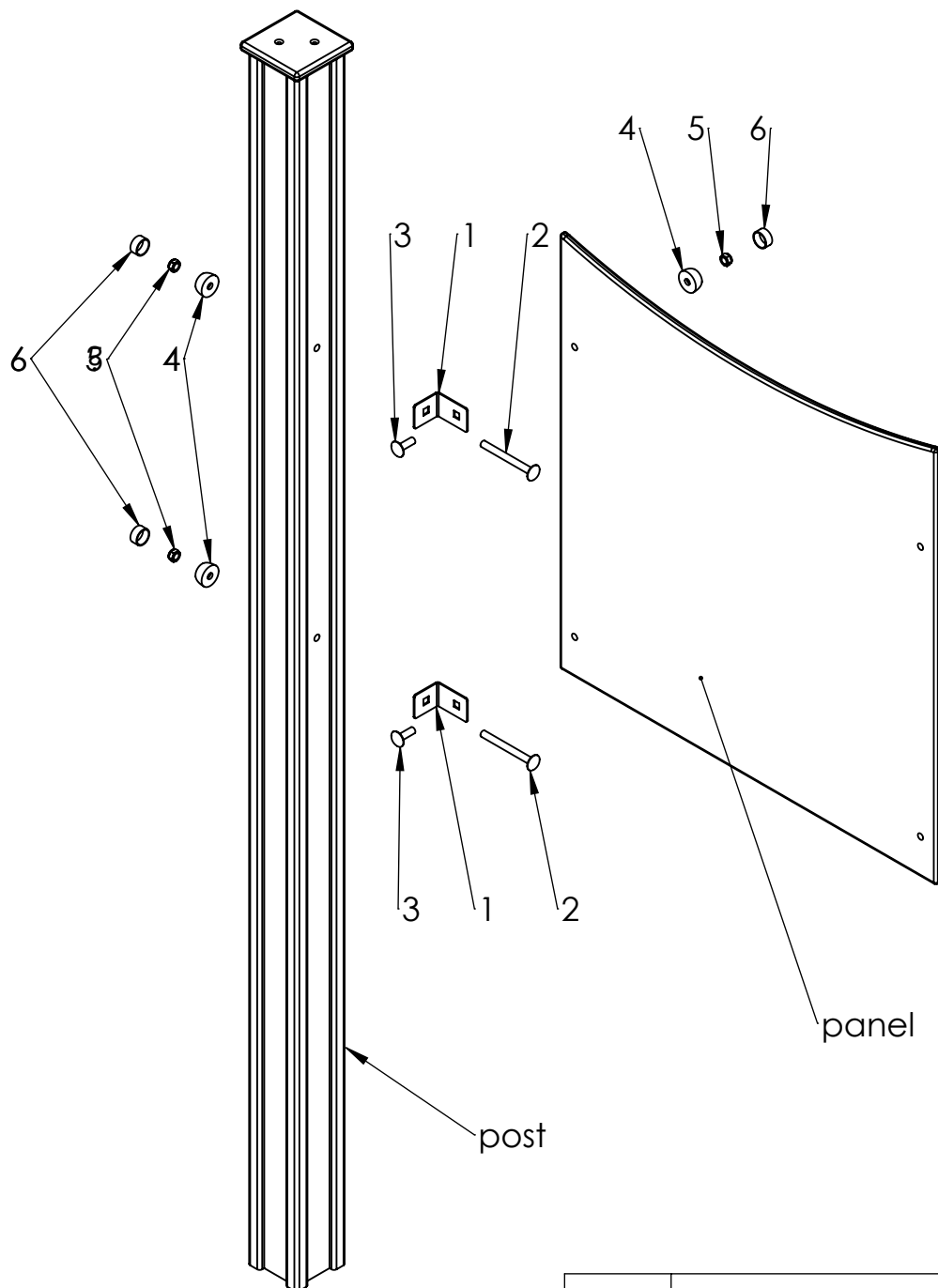
B

C

D

E

F



ITEM NO.	PART NUMBER
1	corner 48x60
2	bolt DIN603 M10x100
3	bolt DIN603 M10x30
4	nut cover M10
5	nut DIN985 M10
6	nut cover cap M10

UNLESS OTHERWISE SPECIFIED:  
DIMENSIONS ARE IN MILLIMETERS  
WEIGHT ARE IN KILOGRAMM

PART NUMBER / DWG NO.:

LM202

	NAME	SIGNATURE	DATE	REVISION
DRAWN	Meelis Rebase		29.05.2015	
APPV'D				

DESCRIPTION:

Play Centre MARIA  
connecting panel to post

MATERIAL:

wood, metal, plastic

A4

WEIGHT:

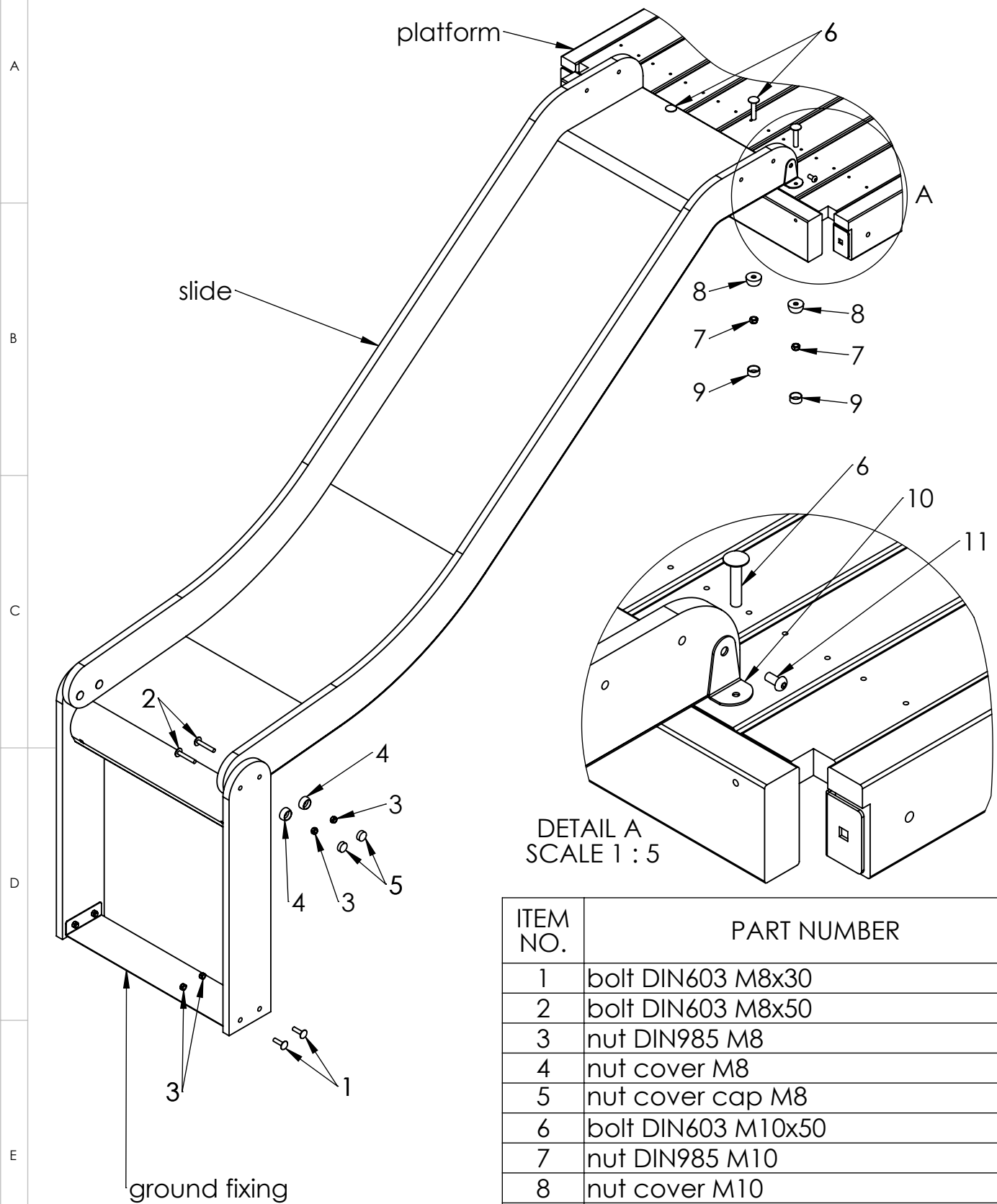
SCALE: 1:10

SHEET 9 OF 17



**Tiptaptap** OÜ

Tiptaptap OÜ  
Veetorni 9,  
Jüri alevik, Rae vald,  
75301 Harjumaa



DETAIL A  
SCALE 1 : 5

ITEM NO.	PART NUMBER
1	bolt DIN603 M8x30
2	bolt DIN603 M8x50
3	nut DIN985 M8
4	nut cover M8
5	nut cover cap M8
6	bolt DIN603 M10x50
7	nut DIN985 M10
8	nut cover M10
9	nut cover cap M10
10	corner 58x30
11	metal screw DIN 7380 M8x16

UNLESS OTHERWISE SPECIFIED:  
DIMENSIONS ARE IN MILLIMETERS  
WEIGHT ARE IN KILOGRAMM

PART NUMBER / DWG NO.:

LM202

	NAME	SIGNATURE	DATE	REVISION
DRAWN	Meelis Rebase		29.05.2015	
APPV'D				

DESCRIPTION:

Play Centre MARIA  
connecting slide to platform

MATERIAL:

wood, metal, plastic

A4

WEIGHT:

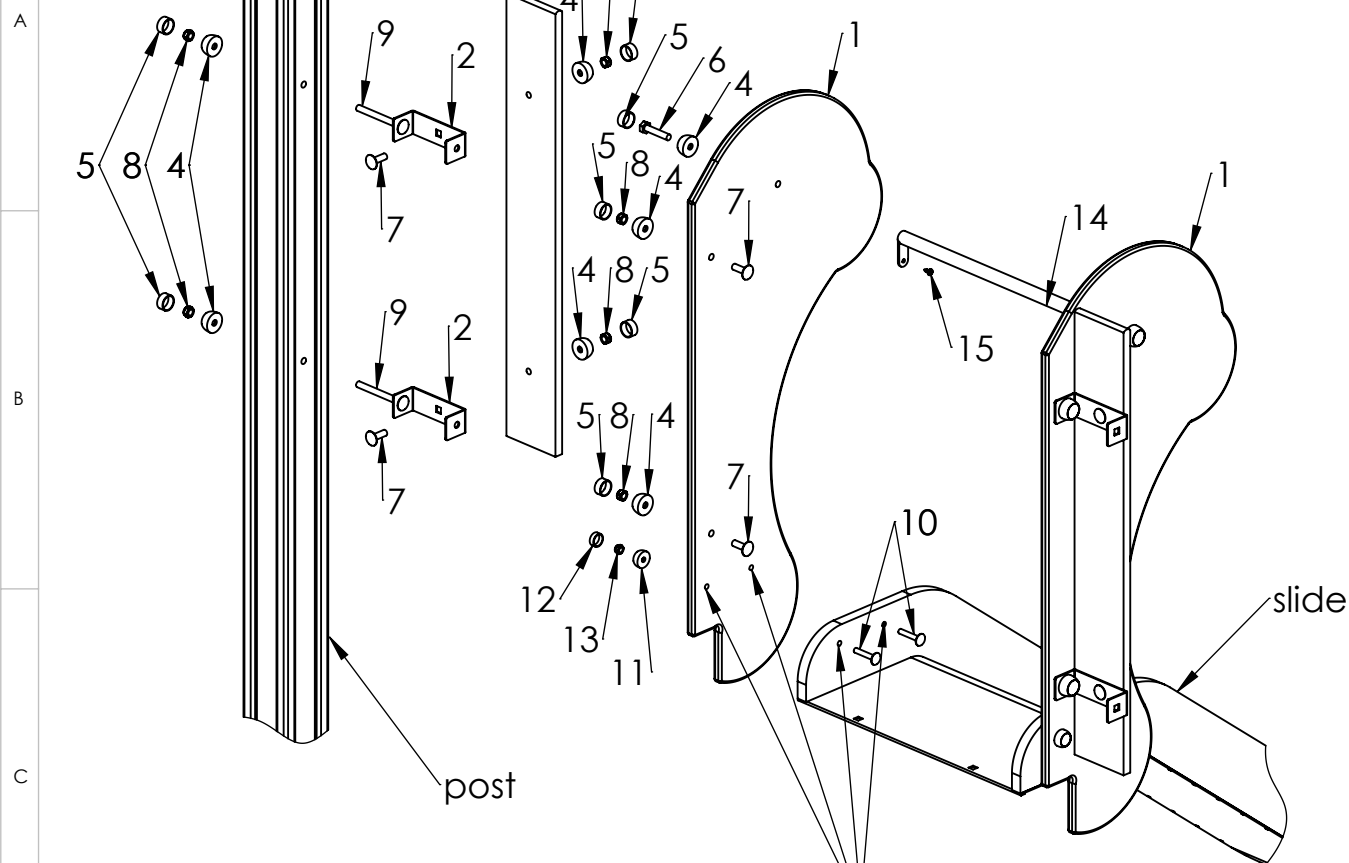
SCALE: 1:12

SHEET 10 OF 17



**Tiptaptap** OÜ

Tiptaptap OÜ  
Veetorni 9,  
Jüri alevik, Rae vald,  
75301 Harjumaa



It is important to drill 8,5mm holes through side panel and slide.

ITEM NO.	PART NUMBER
1	slide side panel
2	slide side panel fixing 40x120
3	side panel 110x780
4	nut cover M10
5	nut cover cap M10
6	bolt DIN931 M10x50
7	bolt DIN603 M10x30
8	nut DIN985 M10
9	bolt DIN603 M10x100
10	bolt DIN603 M8x45
11	nut cover M8
12	nut cover cap M8
13	nut DIN985 M8
14	slide guardrail
15	wood screw 4,8x13

UNLESS OTHERWISE SPECIFIED:  
DIMENSIONS ARE IN MILLIMETERS  
WEIGHT ARE IN KILOGRAMM

PART NUMBER / DWG NO.:

LM202

	NAME	SIGNATURE	DATE	REVISION
DRAWN	Meelis Rebase		29.05.2015	
APPV'D				

DESCRIPTION:

Play Centre MARIA  
connecting slide guard block to post

MATERIAL:

wood, metal, plastic

A4

WEIGHT:

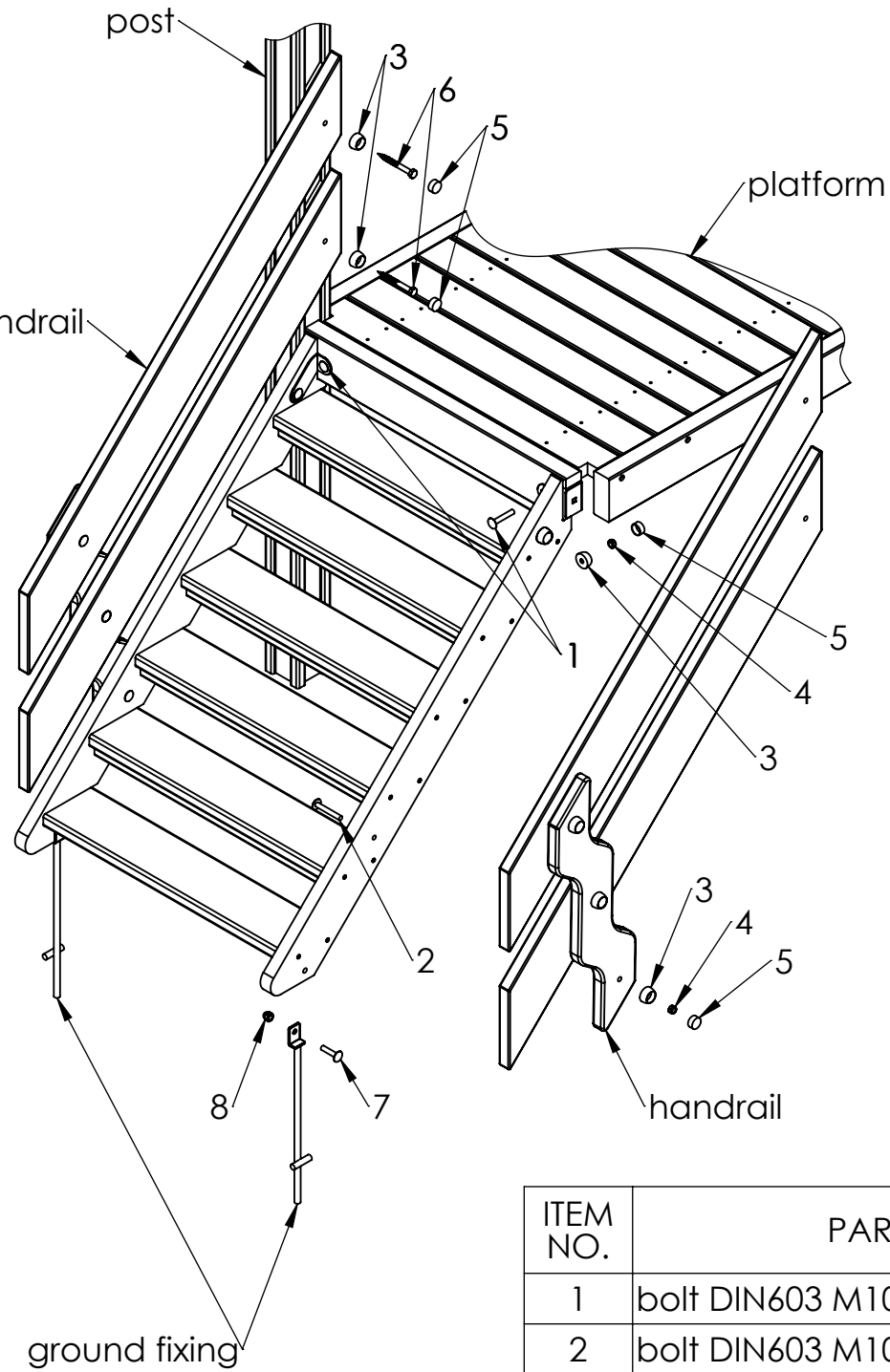
SCALE: 1:12

SHEET 11 OF 17



**Tiptaptap** OÜ

Tiptaptap OÜ  
Veetorni 9,  
Jüri alevik, Rae vald,  
75301 Harjumaa



ITEM NO.	PART NUMBER
1	bolt DIN603 M10x60
2	bolt DIN603 M10x70
3	nut cover M10
4	nut DIN985 M10
5	nut cover cap M10
6	wood screw DIN571 10x100
7	bolt DIN603 M10x45
8	domed cap nut DIN1587 M10

UNLESS OTHERWISE SPECIFIED:  
DIMENSIONS ARE IN MILLIMETERS  
WEIGHT ARE IN KILOGRAMM

PART NUMBER / DWG NO.:

LM202

	NAME	SIGNATURE	DATE	REVISION
DRAWN	Meelis Rebase		29.05.2015	
APPV'D				

DESCRIPTION:

Play Centre MARIA  
connecting stairs to platform



**Tiptap** OÜ

Tiptap OÜ  
Veetorni 9,  
Jüri alevik, Rae vald,  
75301 Harjumaa

MATERIAL:

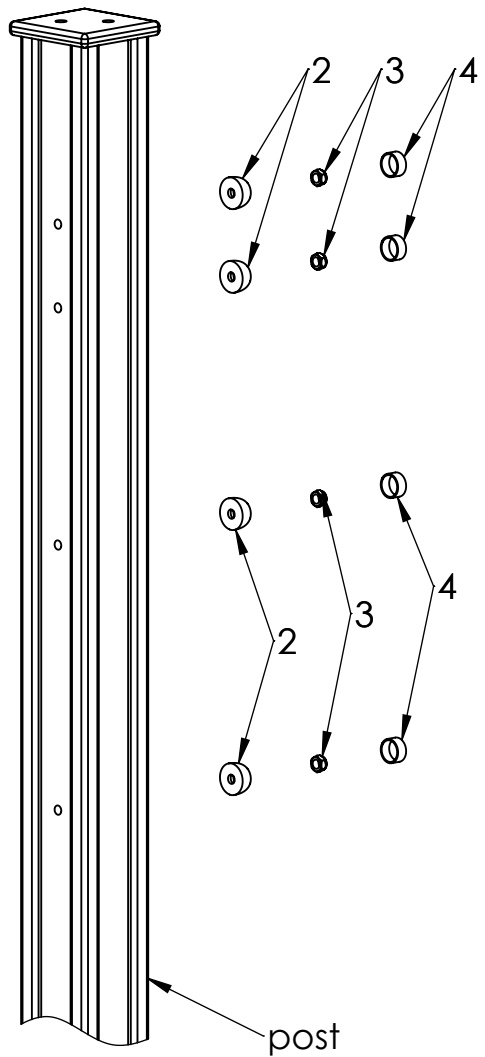
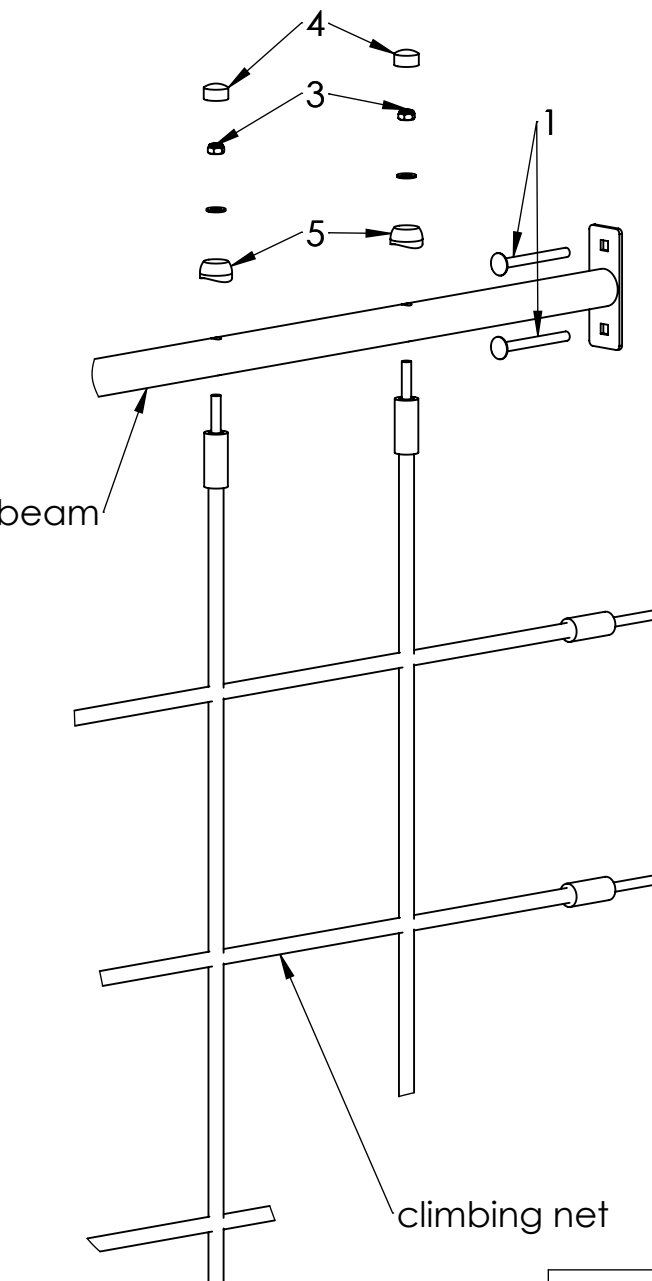
wood, metal, plastic

A4

WEIGHT:

SCALE: 1:15

SHEET 12 OF 17



ITEM NO.	PART NUMBER
1	bolt DIN603 M10x100
2	nut cover M10
3	nut DIN985 M10
4	nut cover cap M10
5	nut cover for beam M10
6	washer M10

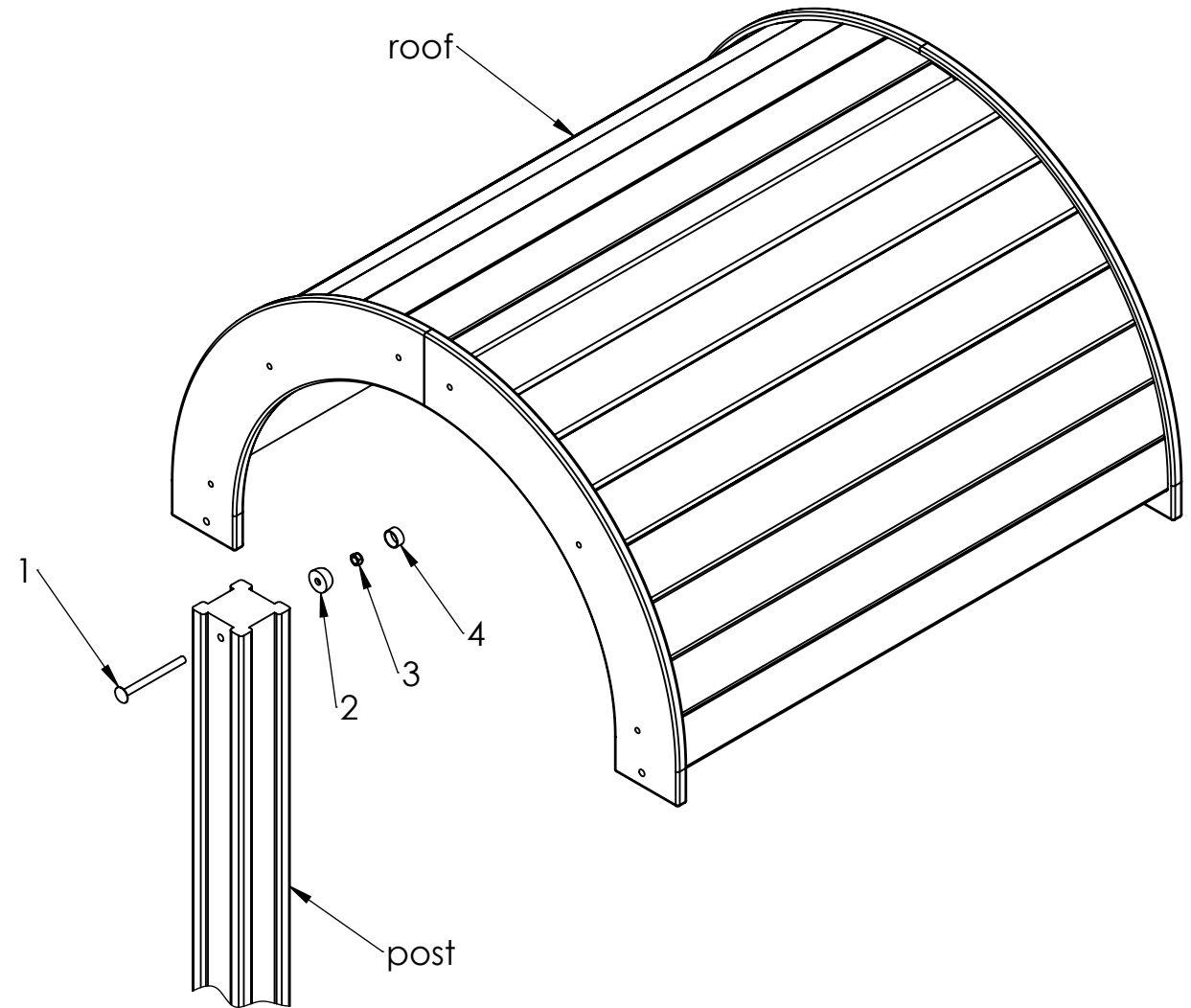
UNLESS OTHERWISE SPECIFIED: DIMENSIONS ARE IN MILLIMETERS WEIGHT ARE IN KILOGRAMM				
	NAME	SIGNATURE	DATE	REVISION
DRAWN	Meelis Rebase		29.05.2015	
APPV'D				

PART NUMBER / DWG NO.:	LM202
DESCRIPTION:	Play Centre MARIA connecting beam and climbing net to post



**Tiptaptap** OÜ  
Veetorni 9,  
Jüri alevik, Rae vald,  
75301 Harjumaa

MATERIAL:	wood, metal, plastic	A4
WEIGHT:	SCALE: 1:8	SHEET 13 OF 17



ITEM NO.	PART NUMBER
1	bolt DIN603 M10x120
2	nut cover M10
3	nut DIN985 M10
4	nut cover cap M10

UNLESS OTHERWISE SPECIFIED:  
DIMENSIONS ARE IN MILLIMETERS  
WEIGHT ARE IN KILOGRAMM

PART NUMBER / DWG NO.:

LM202

	NAME	SIGNATURE	DATE	REVISION
DRAWN	Meelis Rebase		29.05.2015	
APPV'D				

DESCRIPTION:

Play Centre MARIA  
connecting roof to post

MATERIAL:

wood, metal, plastic

A4

WEIGHT:

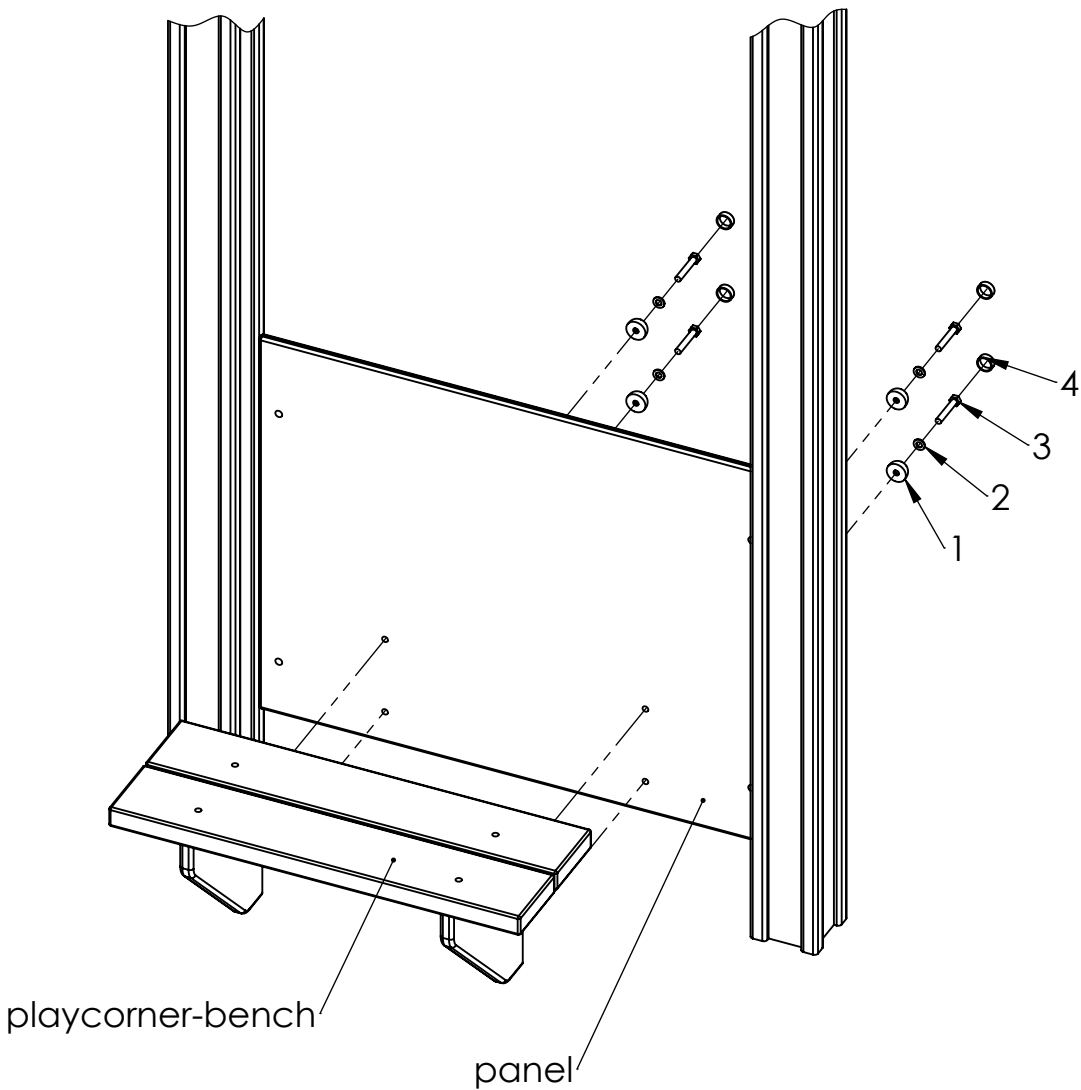
SCALE: 1:10

SHEET 14 OF 17



**Tiptaptap** OÜ

Tiptaptap OÜ  
Veetorni 9,  
Jüri alevik, Rae vald,  
75301 Harjumaa



ITEM NO.	PART NUMBER
1	nut cover M8
2	washer M8
3	bolt DIN933 M8x50
4	nut cover cap M8

UNLESS OTHERWISE SPECIFIED:  
DIMENSIONS ARE IN MILLIMETERS  
WEIGHT ARE IN KILOGRAMM

PART NUMBER / DWG NO.:  
**LM202**

	NAME	SIGNATURE	DATE	REVISION
DRAWN	Meelis Rebase		29.05.2015	
APPV'D				

DESCRIPTION:  
**Play Centre MARIA**  
connecting playcorner-bench to panel



**Tiptaptap** OÜ  
Veetorni 9,  
Jüri alevik, Rae vald,  
75301 Harjumaa

MATERIAL:	wood, metal, plastic	A4
WEIGHT:	SCALE: 1:10	SHEET 15 OF 17

A

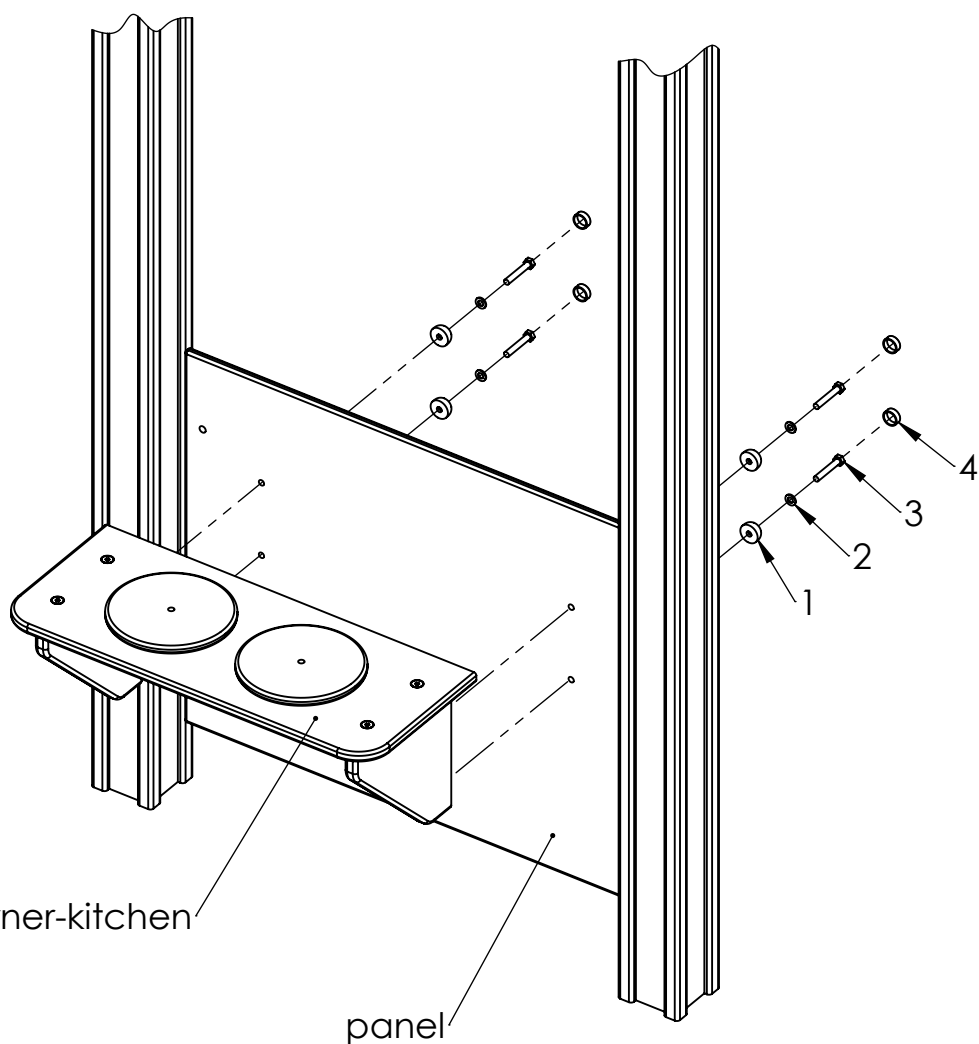
B

C

D

E

F



playcorner-kitchen

panel

ITEM NO.	PART NUMBER
1	nut cover M8
2	washer M8
3	bolt DIN933 M8x50
4	nut cover cap M8

UNLESS OTHERWISE SPECIFIED:  
DIMENSIONS ARE IN MILLIMETERS  
WEIGHT ARE IN KILOGRAMM

PART NUMBER / DWG NO.:

LM202

	NAME	SIGNATURE	DATE	REVISION
DRAWN	Meelis Rebase		29.05.2015	
APPV'D				

DESCRIPTION:

Play Centre MARIA  
connecting playcorner-kitchen to panel

MATERIAL:

wood, metal, plastic

A4

WEIGHT:

SCALE: 1:10

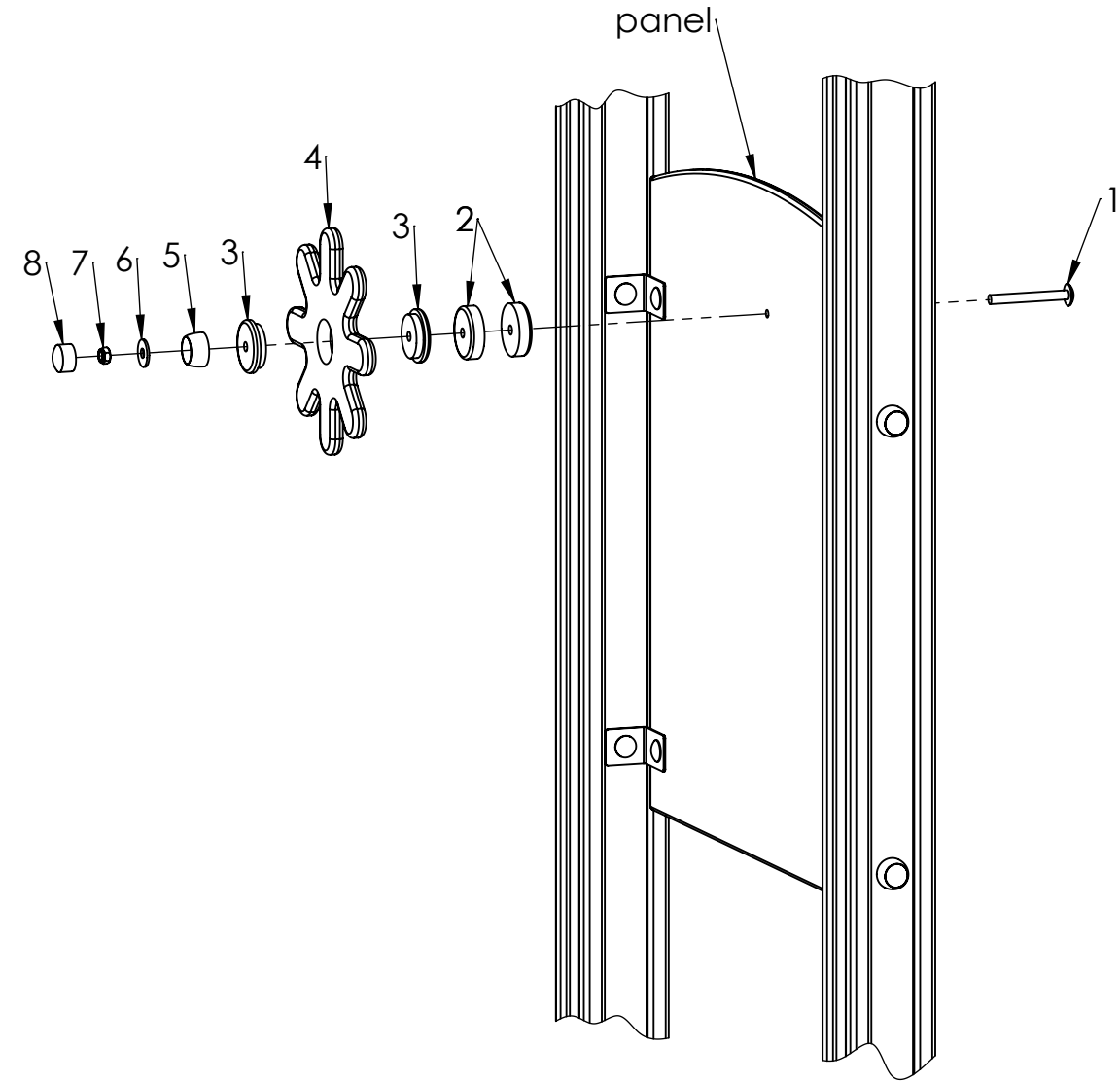
SHEET 16 OF 17



**Tiptaptap** OÜ

Tiptaptap OÜ  
Veetorni 9,  
Jüri alevik, Rae vald,  
75301 Harjumaa





ITEM NO.	PART NUMBER
1	bolt DIN603 M10x90
2	disk Ø58
3	disk Ø58 with flange
4	captain wheel
5	nut cover M12
6	washer M10
7	nut DIN985 M10
8	nut cover cap M12

UNLESS OTHERWISE SPECIFIED:  
DIMENSIONS ARE IN MILLIMETERS  
WEIGHT ARE IN KILOGRAMM

PART NUMBER / DWG NO.:

LM202

	NAME	SIGNATURE	DATE	REVISION
DRAWN	Meelis Rebase		29.05.2015	
APPV'D				

DESCRIPTION:

Play Centre MARIA  
connecting captain wheel to panel



**Tiptaptap** OÜ

Tiptaptap OÜ  
Veetorni 9,  
Jüri alevik, Rae vald,  
75301 Harjumaa

MATERIAL:

wood, metal, plastic

A4

WEIGHT:

SCALE: 1:8

SHEET 17 OF 17