

A

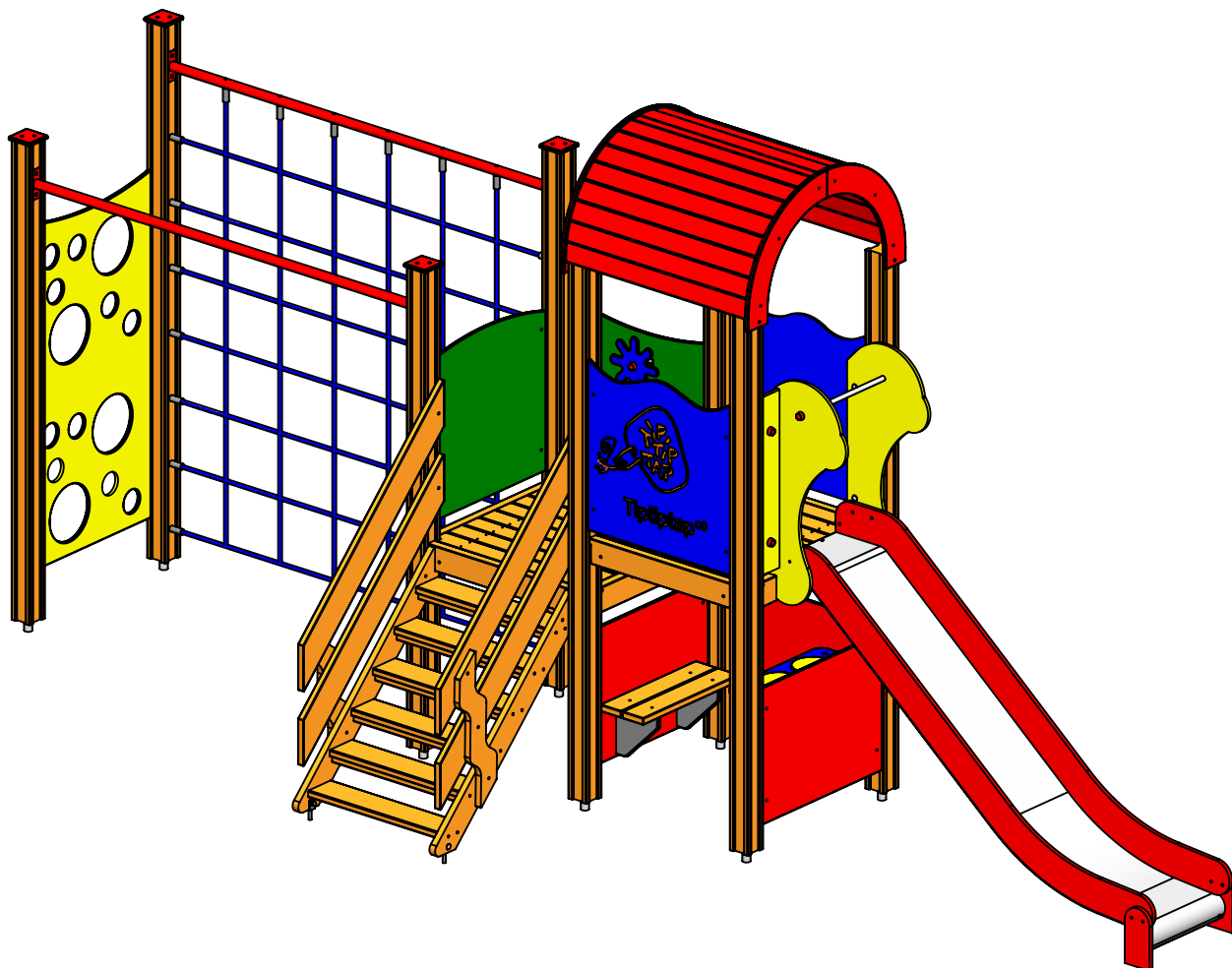
B

C

D

E

F



UNLESS OTHERWISE SPECIFIED:
DIMENSIONS ARE IN MILLIMETERS
WEIGHT ARE IN KILOGRAMM

PART NUMBER / DWG NO.:

LM202-1

	NAME	SIGNATURE	DATE	REVISION
DRAWN	Meelis Rebase		06.07.2014	
APPV'D				

DESCRIPTION:

Play Centre MARIE



Tiptaptap OÜ

Tiptaptap OÜ
Veetorni 9,
Jüri alevik, Rae vald,
75301 Harjumaa

MATERIAL:

wood, metal, plastic

A4

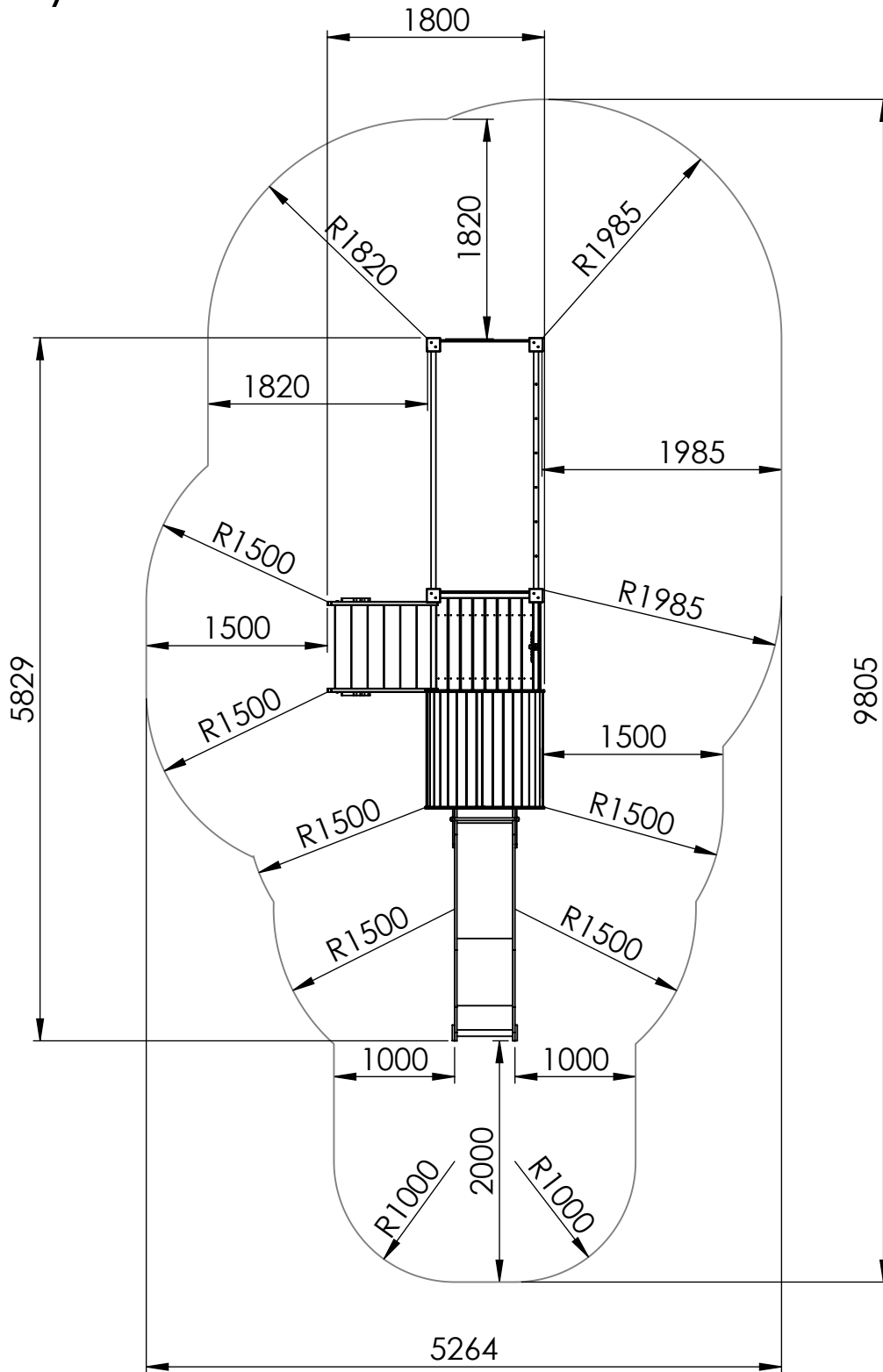
WEIGHT:

SCALE: 1:30

SHEET 1 OF 14

safety area

A
B
C
D
E



UNLESS OTHERWISE SPECIFIED:
DIMENSIONS ARE IN MILLIMETERS
WEIGHT ARE IN KILOGRAMM

PART NUMBER / DWG NO.:

LM202-1

	NAME	SIGNATURE	DATE	REVISION
DRAWN	Meelis Rebase		06.07.2014	
APPV'D				

DESCRIPTION:

Play Centre MARIE



Tiptap OÜ

Tiptap OÜ
Veetorni 9,
Jüri alevik, Rae vald,
75301 Harjumaa

MATERIAL:

wood, metal, plastic

A4

WEIGHT:

SCALE: 1:55

SHEET 2 OF 14

foundation

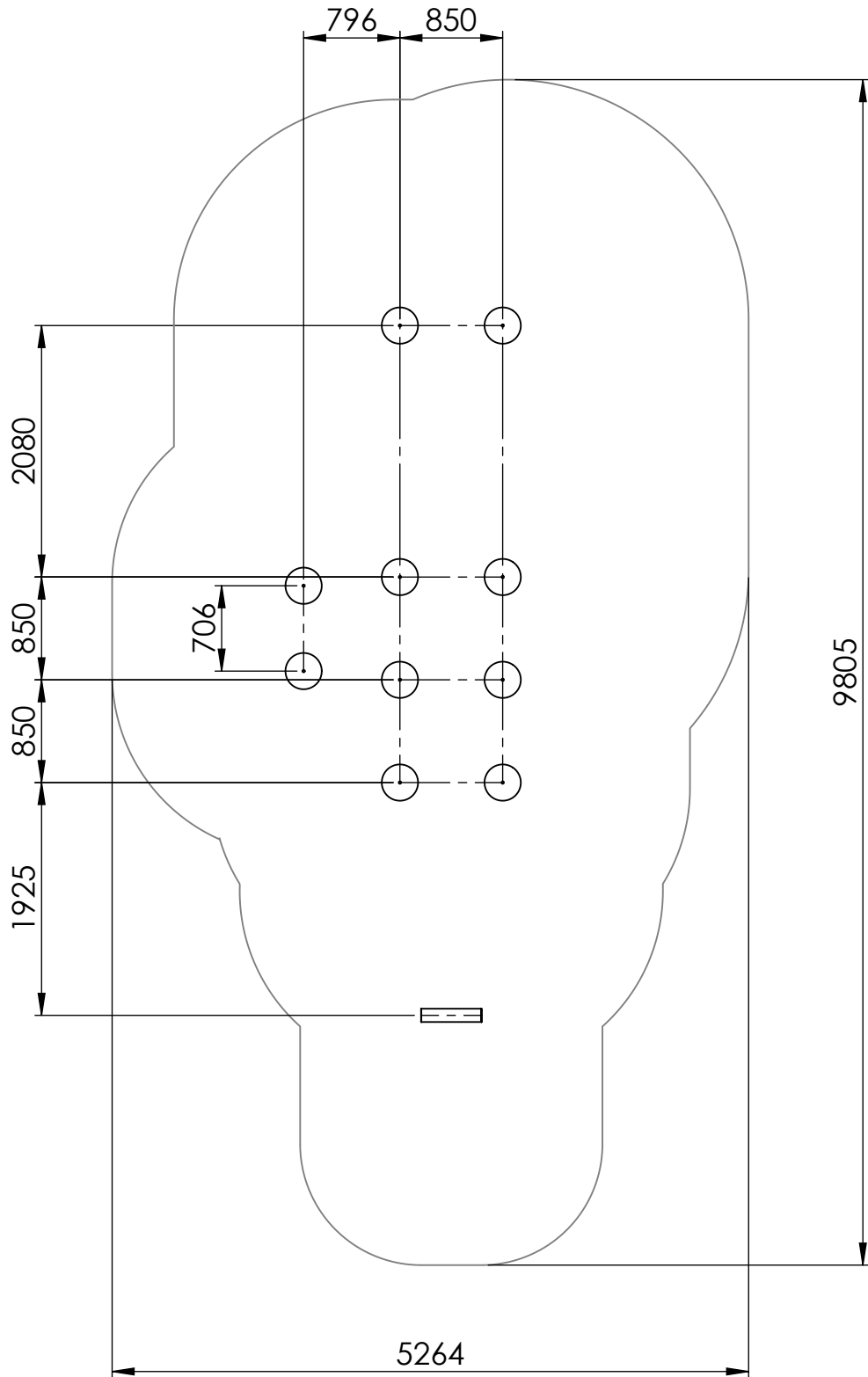
A

B

C

D

E



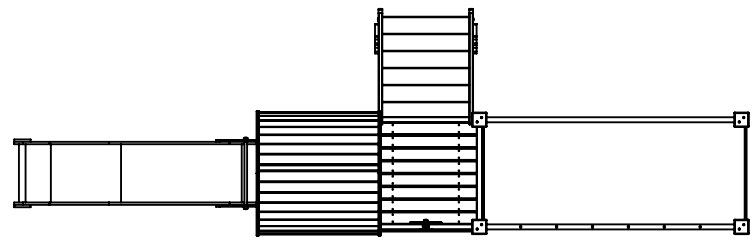
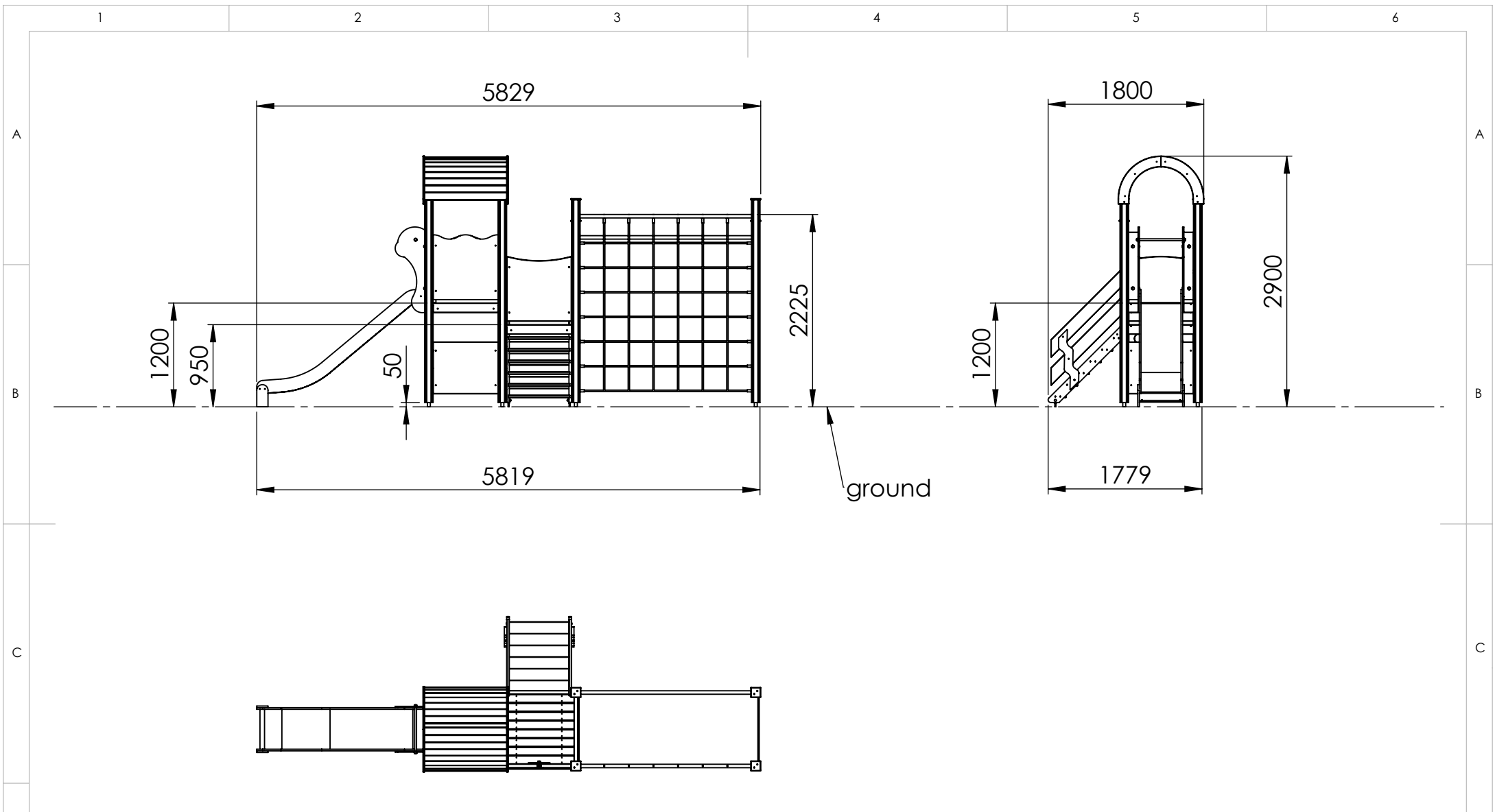
UNLESS OTHERWISE SPECIFIED: DIMENSIONS ARE IN MILLIMETERS WEIGHT ARE IN KILOGRAMM				
	NAME	SIGNATURE	DATE	REVISION
DRAWN	Meelis Rebase		06.07.2014	
APPV'D				


PART NUMBER / DWG NO.:
LM202-1

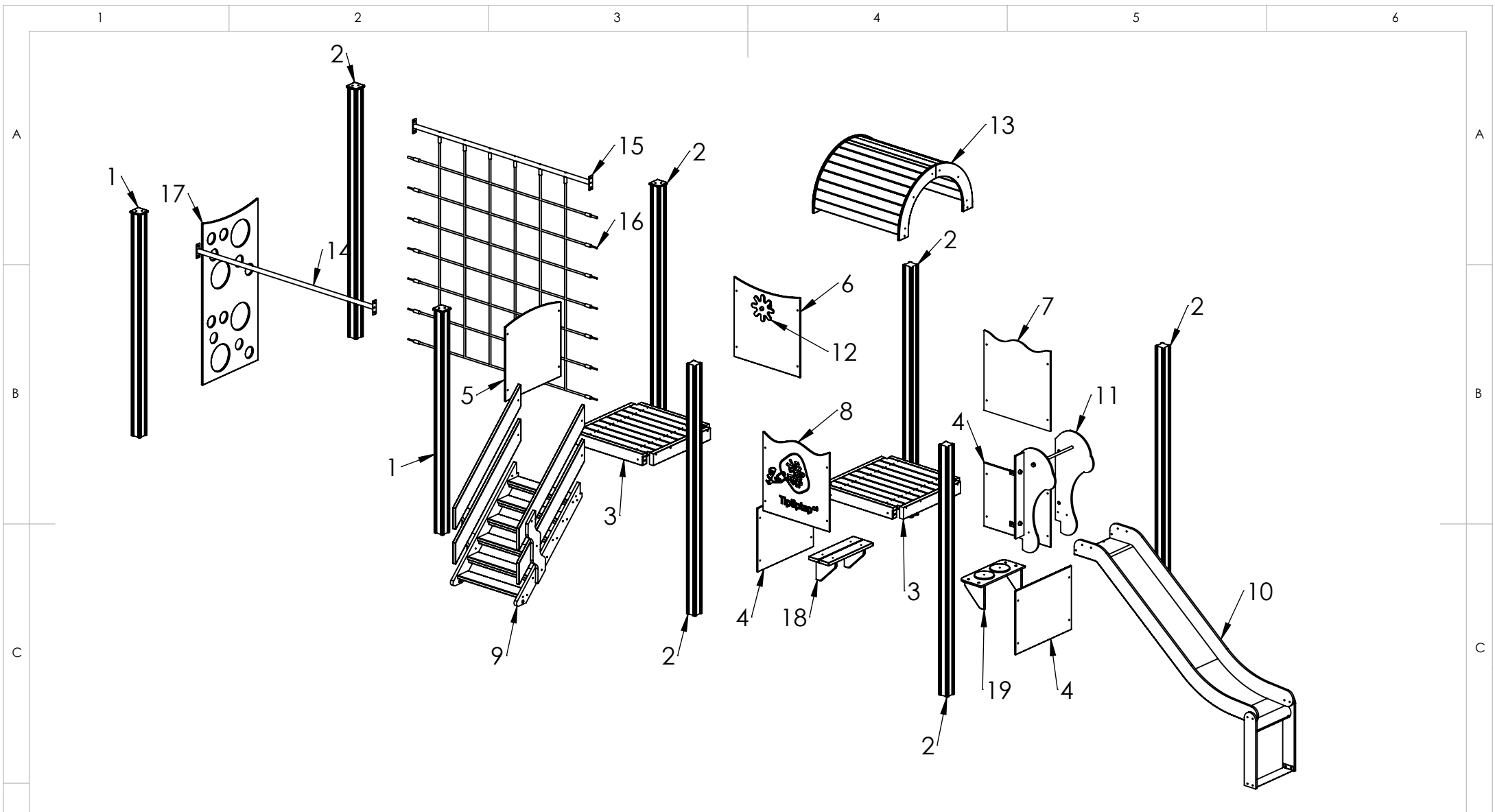
DESCRIPTION:
Play Centre MARIE

 **Tiptaptap** OÜ
Veetorni 9,
Jüri alevik, Rae vald,
75301 Harjumaa

MATERIAL:	wood, metal, plastic	A4
WEIGHT:		SCALE: 1:55
		SHEET 3 OF 14



UNLESS OTHERWISE SPECIFIED: DIMENSIONS ARE IN MILLIMETERS WEIGHT ARE IN KILOGRAMM					PART NUMBER / DWG NO.: LM202-1	
	NAME	SIGNATURE	DATE	REVISION	DESCRIPTION: Play Centre MARIE	
DRAWN	Meelis Rebase		06.07.2014			
APPV'D						
 Tiptaptap OÜ Tiptaptap OÜ Veetorni 9, Jüri alevik, Rae vald, 75301 Harjumaa					MATERIAL:	wood, metal, plastic
					WEIGHT:	SCALE: 1:60
					SHEET 4 OF 14	



UNLESS OTHERWISE SPECIFIED:
 DIMENSIONS ARE IN MILLIMETERS
 WEIGHT ARE IN KILOGRAMM

PART NUMBER / DWG NO.:
LM202-1

	NAME	SIGNATURE	DATE	REVISION
DRAWN	Meelis Rebase		06.07.2014	
APPV'D				

DESCRIPTION:
Play Centre MARIE



Tiptaptap OÜ
 Veetorni 9,
 Jüri alevik, Rae vald,
 75301 Harjumaa

MATERIAL:	wood, metal, plastic	A4
WEIGHT:		SCALE: 1:45
		SHEET 5 OF 14

	1	2	3	4
	ITEM NO.	PART NUMBER	DESCRIPTION	QTY.
A	1	post 98x98x2100	laminated wood	2
	2	post 98x98x2350	laminated wood	6
	3	platform	laminated wood, metal	2
	4	panel 750x600	plywood	3
	5	panel 750x750	plywood	1
	6	panel 750x750	plywood	1
B	7	panel 750x750	plywood	1
	8	panel 750x750 with logo	plywood	1
	9	stairs	laminated wood	1
	10	slide h_1200	stainless steel, PE plastic	1
	11	slide guard block	plywood, metal, plastic	1
	12	captain wheel with fixings	plastic, metal	1
	13	roof	wood, PE plastic	1
	14	beam 40x2000	painted steel	1
	15	beam 40x2000 for net	painted steel	1
C	16	climbing net 2000x2000	PP covered steel wire	1
	17	climbing wall	plywood	1
	18	playcorner-bench	laminated wood, plastic	1
	19	playcorner-kitchen	plywood, plastic	1

D

E

F

UNLESS OTHERWISE SPECIFIED:
DIMENSIONS ARE IN MILLIMETERS
WEIGHT ARE IN KILOGRAMM

PART NUMBER / DWG NO.:

LM202-1

	NAME	SIGNATURE	DATE	REVISION
DRAWN	Meelis Rebase		06.07.2014	
APPV'D				

DESCRIPTION:

Play Centre MARIE



Tiptaptap OÜ

Tiptaptap OÜ
Veetorni 9,
Jüri alevik, Rae vald,
75301 Harjumaa

MATERIAL:

wood, metal, plastic

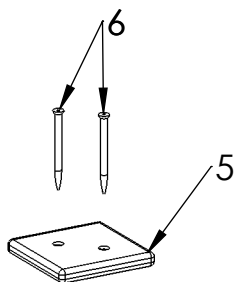
A4

WEIGHT:

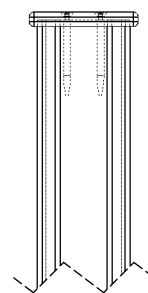
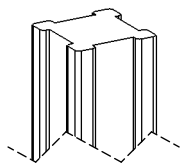
SCALE: 1:45

SHEET 6 OF 14

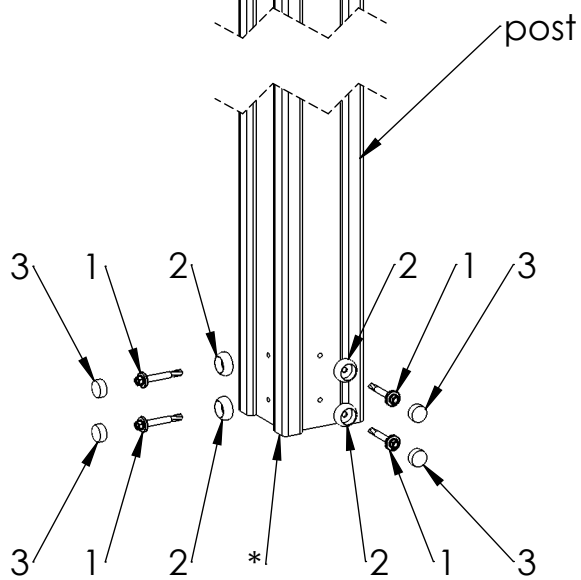
A



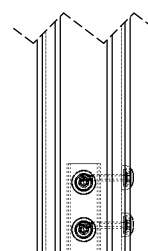
B



C



ground



50

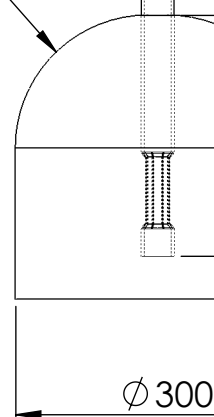
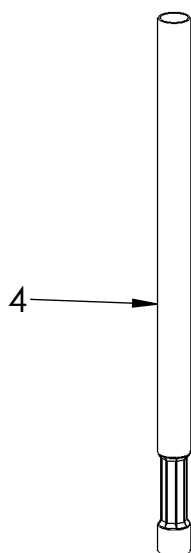
concrete

200

455

500

D



Ø 300

E

ITEM NO.	PART NUMBER
1	screw DIN7504K 5,5x50
2	nut cover M6
3	nut cover cap M6
4	metal ground fixing L_600
5	plastic cap 115x115
6	woodscrew 6 x 90

UNLESS OTHERWISE SPECIFIED:
DIMENSIONS ARE IN MILLIMETERS
WEIGHT ARE IN KILOGRAMM

PART NUMBER / DWG NO.:

LM202-1

	NAME	SIGNATURE	DATE	REVISION
DRAWN	Meelis Rebase		06.07.2014	
APPV'D				

DESCRIPTION:

Play Centre MARIE
connecting metal ground fixing to post

F



Tiptaptap OÜ

Tiptaptap OÜ
Veetorni 9,
Jüri alevik, Rae vald,
75301 Harjumaa

MATERIAL:

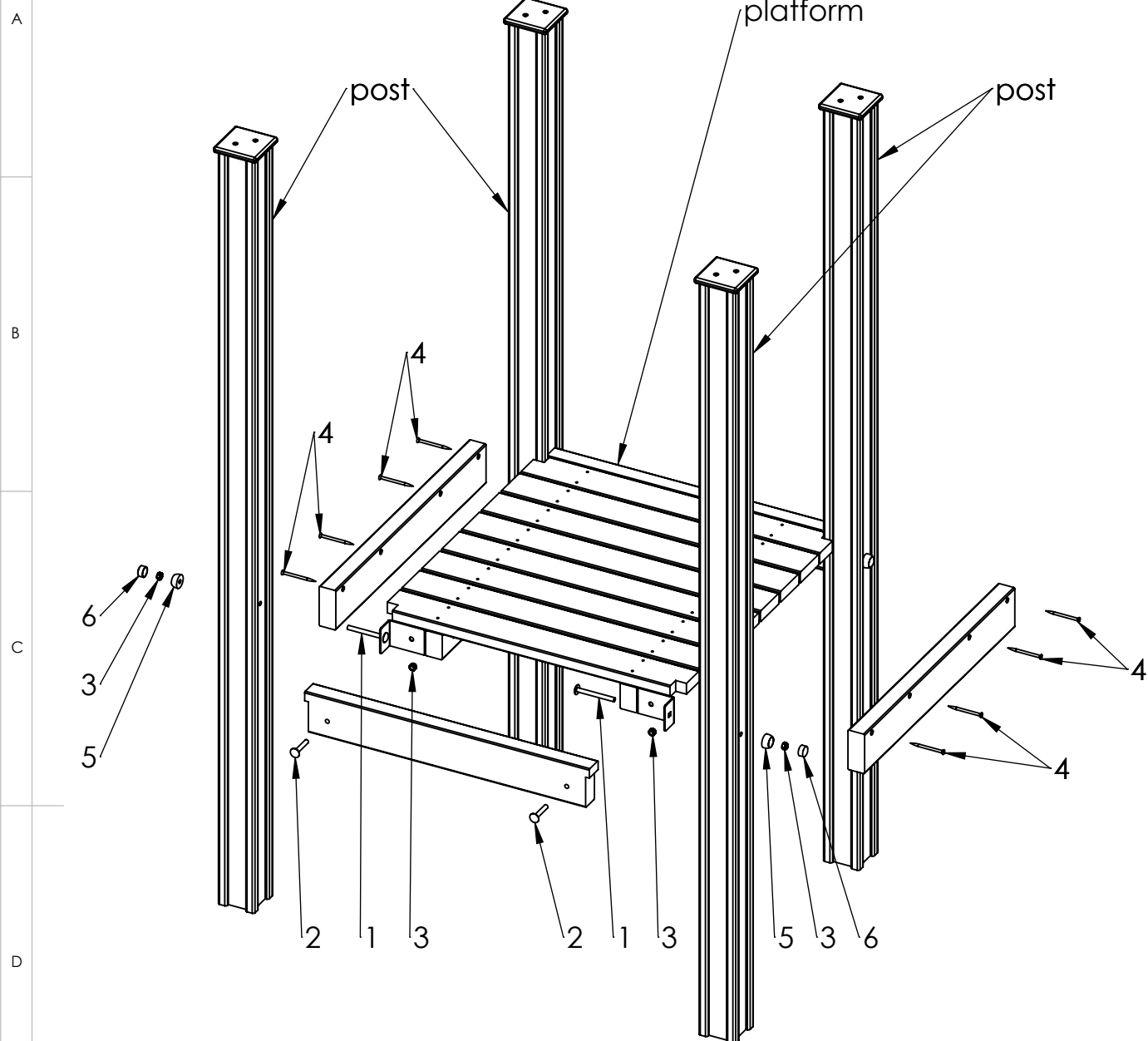
wood, metal, plastic

A4

WEIGHT:

SCALE: 1:8

SHEET 7 OF 14



E

ITEM NO.	PART NUMBER
1	bolt DIN603 M10x100
2	bolt DIN603 M10x60
3	nut DIN985 M10
4	woodscrew 6 x 90
5	nut cover M10
6	nut cover cap M10

F

UNLESS OTHERWISE SPECIFIED:
DIMENSIONS ARE IN MILLIMETERS
WEIGHT ARE IN KILOGRAMM

	NAME	SIGNATURE	DATE	REVISION
DRAWN	Meelis Rebase		06.07.2014	
APPV'D				

PART NUMBER / DWG NO.:

LM202-1

DESCRIPTION:

Play Centre MARIE
connecting platform to post

MATERIAL:

wood, metal, plastic

A4

WEIGHT:

SCALE: 1:15

SHEET 8 OF 14



Tiptaptap OÜ

Tiptaptap OÜ
Veetorni 9,
Jüri alevik, Rae vald,
75301 Harjumaa

A

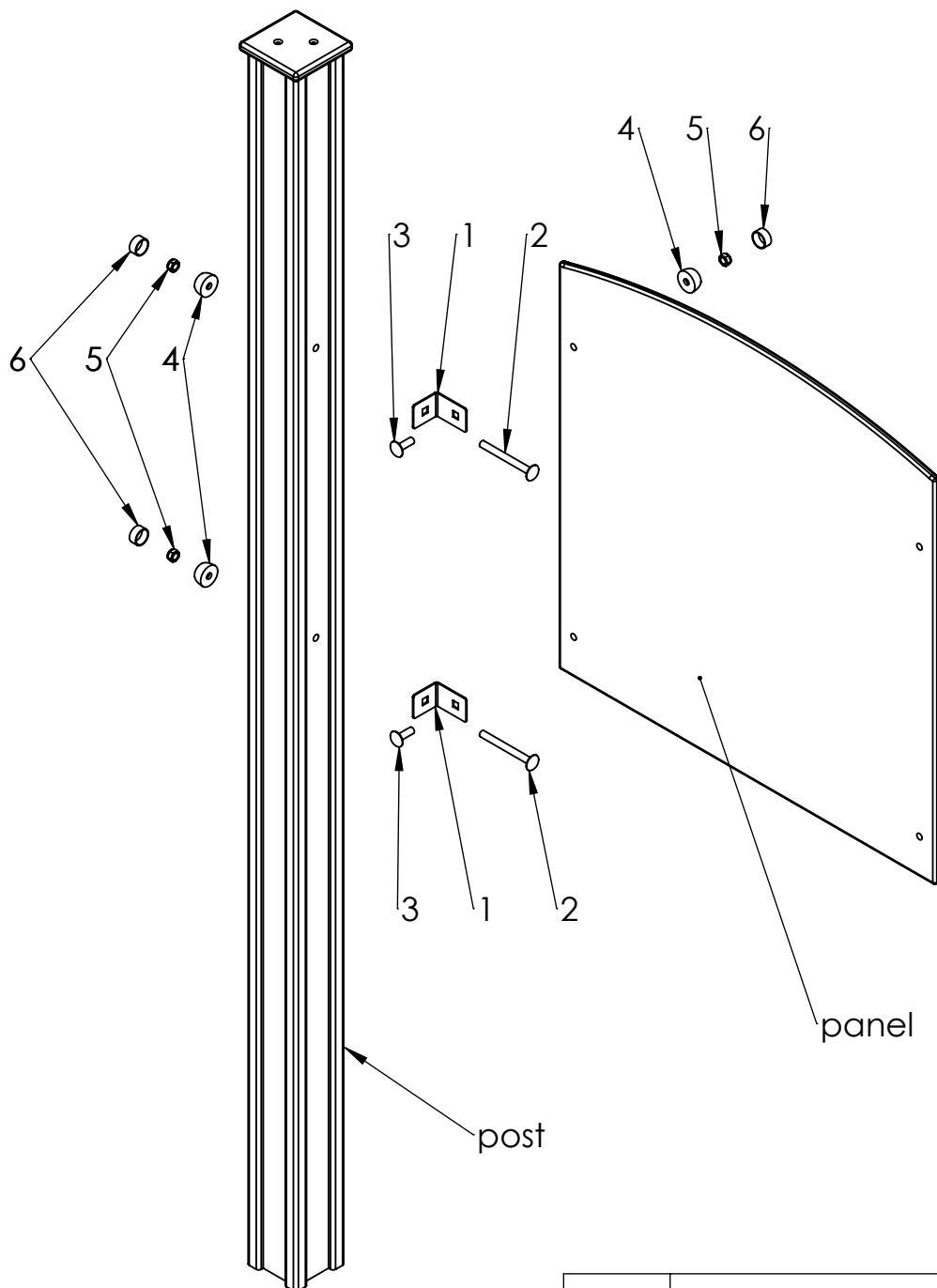
B

C

D

E

F



ITEM NO.	PART NUMBER
1	corner 48x60
2	bolt DIN603 M10x100
3	bolt DIN603 M10x30
4	nut cover M10
5	nut DIN985 M10
6	nut cover cap M10

UNLESS OTHERWISE SPECIFIED:
DIMENSIONS ARE IN MILLIMETERS
WEIGHT ARE IN KILOGRAMM

PART NUMBER / DWG NO.:

LM202-1

	NAME	SIGNATURE	DATE	REVISION
DRAWN	Meelis Rebase		06.07.2014	
APPV'D				

DESCRIPTION:

Play Centre MARIE
connecting panel to post

MATERIAL:

wood, metal, plastic

A4

WEIGHT:

SCALE: 1:10

SHEET 9 OF 14



Tiptap OÜ

Tiptap OÜ
Veetorni 9,
Jüri alevik, Rae vald,
75301 Harjumaa

A

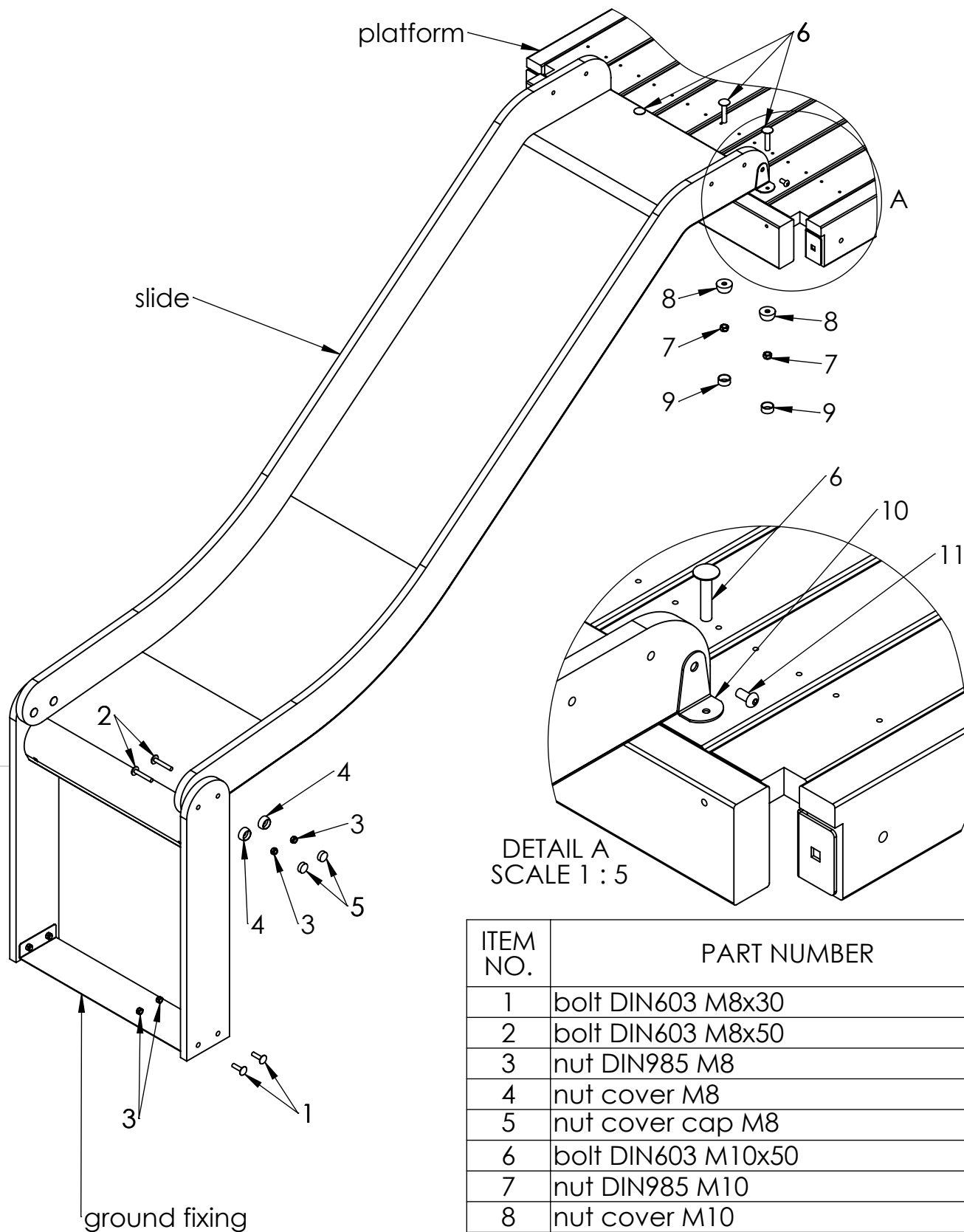
B

C

D

E

F



DETAIL A
SCALE 1 : 5

ITEM NO.	PART NUMBER
1	bolt DIN603 M8x30
2	bolt DIN603 M8x50
3	nut DIN985 M8
4	nut cover M8
5	nut cover cap M8
6	bolt DIN603 M10x50
7	nut DIN985 M10
8	nut cover M10
9	nut cover cap M10
10	corner 58x30
11	metal screw DIN 7380 M8x16

UNLESS OTHERWISE SPECIFIED:
DIMENSIONS ARE IN MILLIMETERS
WEIGHT ARE IN KILOGRAMM

	NAME	SIGNATURE	DATE	REVISION
DRAWN	Meelis Rebase		06.07.2014	
APPV'D				

PART NUMBER / DWG NO.:

LM202-1

DESCRIPTION:

Play Centre MARIE
connecting slide to platform

MATERIAL:

wood, metal, plastic

A4

WEIGHT:

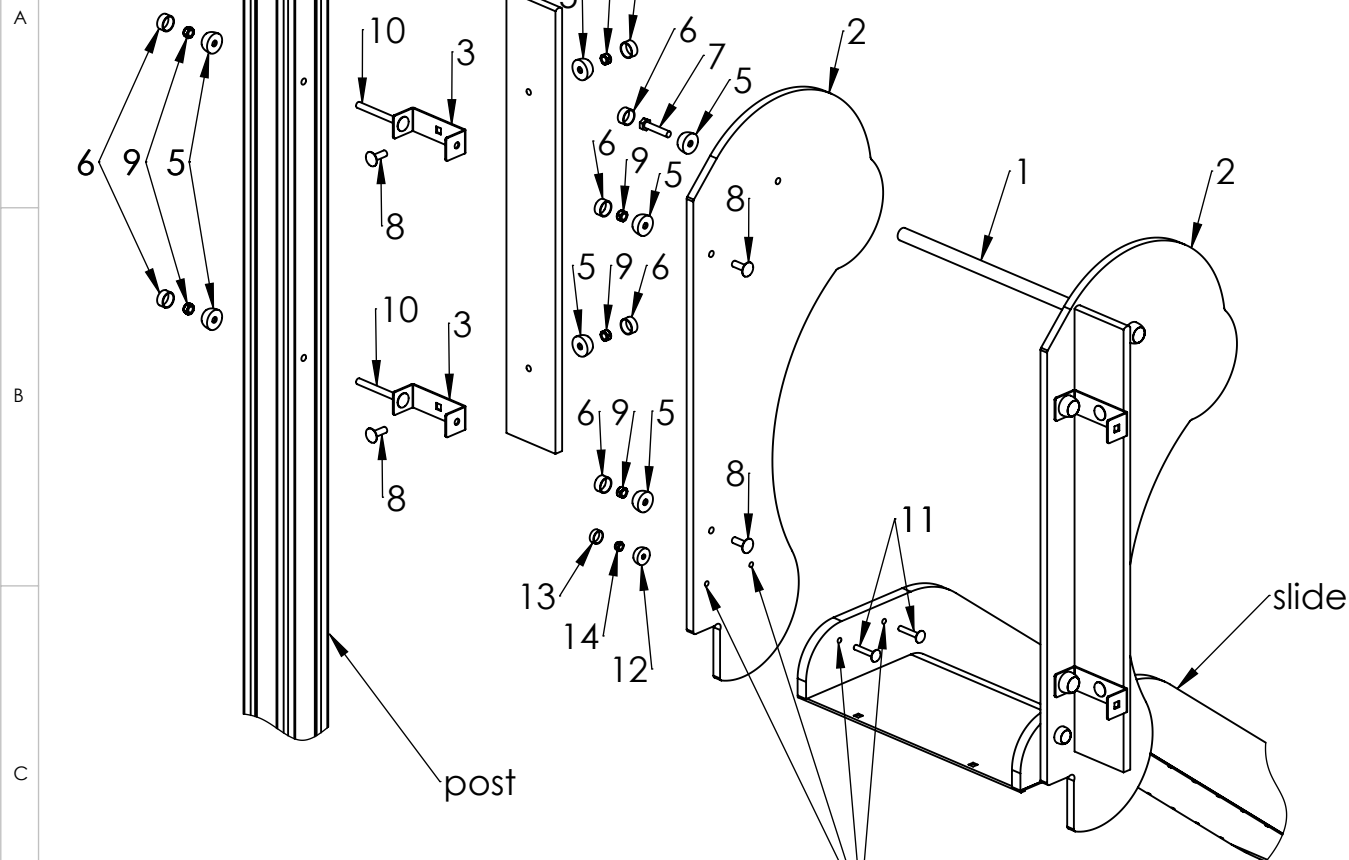
SCALE: 1:12

SHEET 10 OF 14



Tiptaptap OÜ

Tiptaptap OÜ
Veetorni 9,
Jüri alevik, Rae vald,
75301 Harjumaa



It is important to drill 8,5mm holes through side panel and slide.

ITEM NO.	PART NUMBER
1	slide guardrail
2	slide side panel
3	slide side panel fixing 40x120
4	side panel 110x780
5	nut cover M10
6	nut cover cap M10
7	bolt DIN931 M10x50
8	bolt DIN603 M10x30
9	nut DIN985 M10
10	bolt DIN603 M10x100
11	bolt DIN603 M8x45
12	nut cover M8
13	nut cover cap M8
14	nut DIN985 M8

UNLESS OTHERWISE SPECIFIED:
DIMENSIONS ARE IN MILLIMETERS
WEIGHT ARE IN KILOGRAMM

PART NUMBER / DWG NO.:

LM202-1

	NAME	SIGNATURE	DATE	REVISION
DRAWN	Meelis Rebase		06.07.2014	
APPV'D				

DESCRIPTION:

Play Centre MARIE
connecting slide guard block to post

MATERIAL:

wood, metal, plastic

A4

WEIGHT:

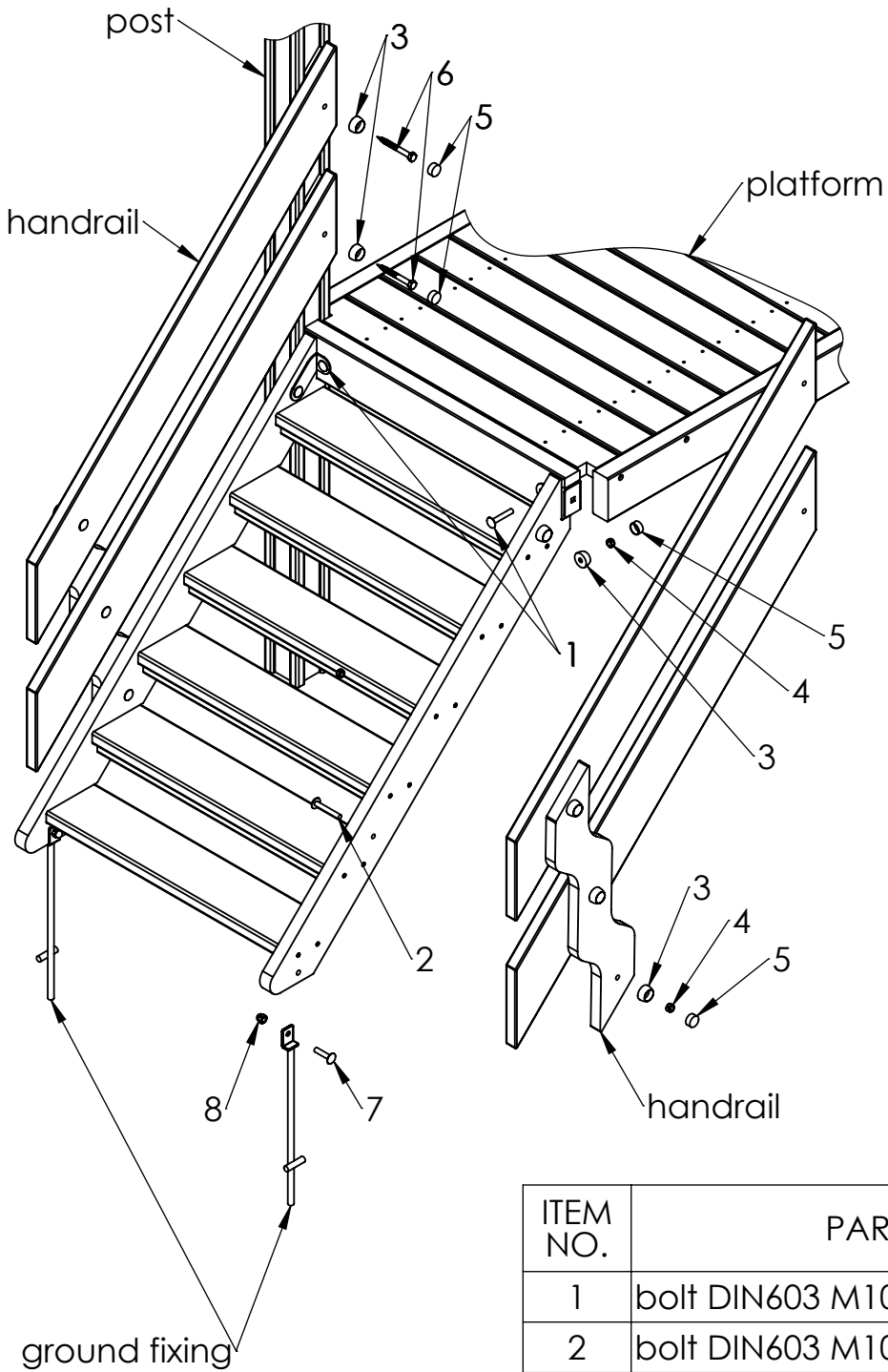
SCALE: 1:12

SHEET 11 OF 14



Tiptap OÜ

Tiptap OÜ
Veetorni 9,
Jüri alevik, Rae vald,
75301 Harjumaa



ITEM NO.	PART NUMBER
1	bolt DIN603 M10x60
2	bolt DIN603 M10x70
3	nut cover M10
4	nut DIN985 M10
5	nut cover cap M10
6	wood screw DIN571 10x100
7	bolt DIN603 M10x45
8	domed cap nut DIN1587 M10

UNLESS OTHERWISE SPECIFIED:
DIMENSIONS ARE IN MILLIMETERS
WEIGHT ARE IN KILOGRAMM

	NAME	SIGNATURE	DATE	REVISION
DRAWN	Meelis Rebase		06.07.2014	
APPV'D				

PART NUMBER / DWG NO.:
LM202-1

DESCRIPTION:
**Play Centre MARIE
connecting stairs to platform**



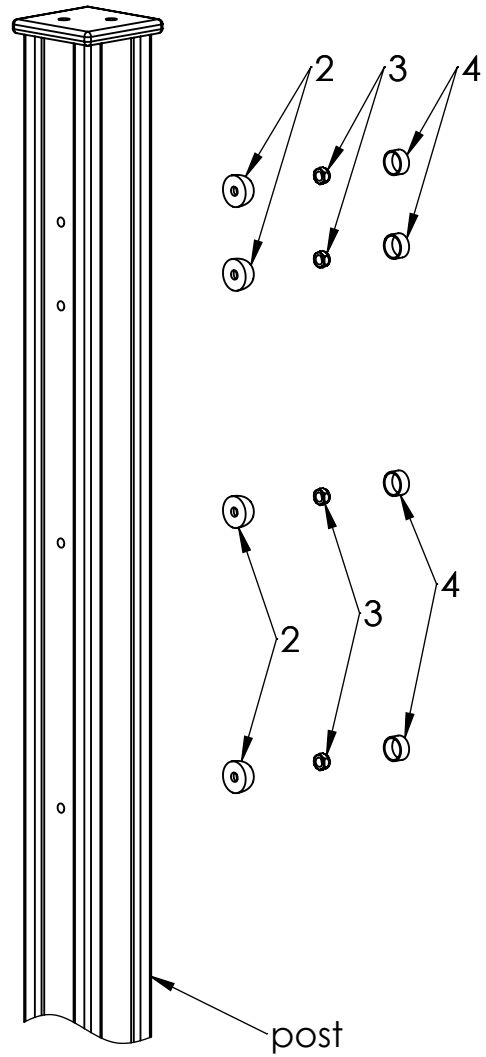
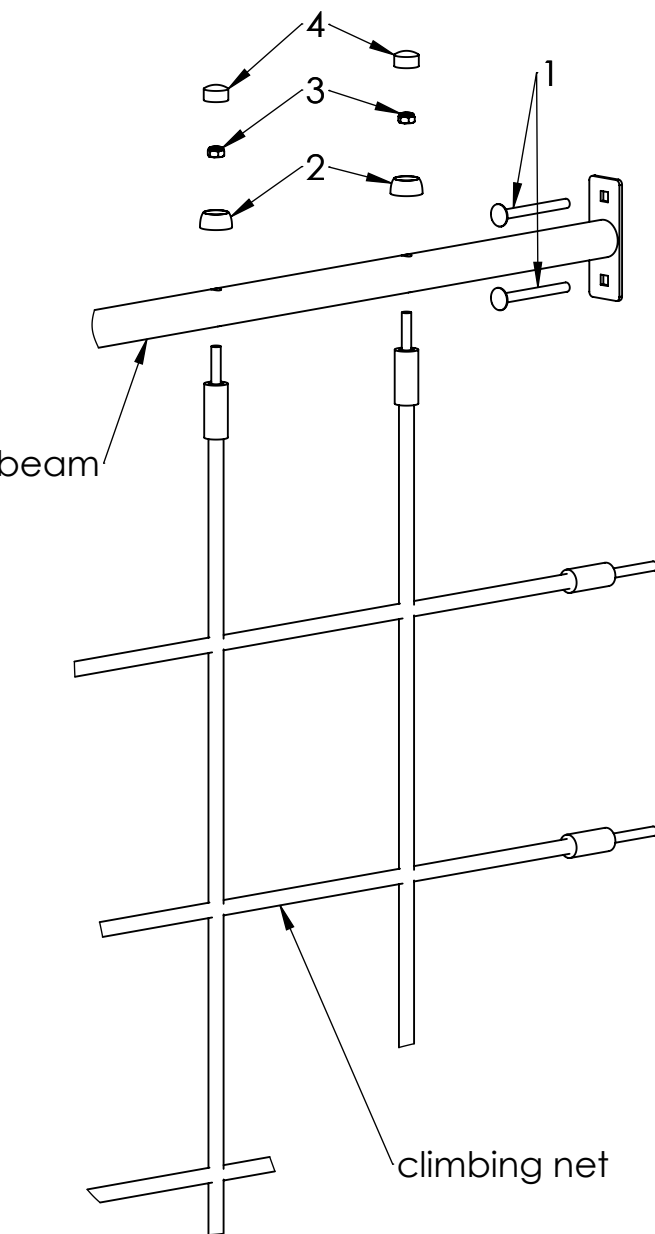
Tiptaptap OÜ

Tiptaptap OÜ
Veetorni 9,
Jüri alevik, Rae vald,
75301 Harjumaa

MATERIAL: wood, metal, plastic

A4

WEIGHT: SCALE: 1:15 SHEET 12 OF 14



ITEM NO.	PART NUMBER
1	bolt DIN603 M10x100
2	nut cover M10
3	nut DIN985 M10
4	nut cover cap M10
6	beam 40x1455 for net

UNLESS OTHERWISE SPECIFIED:
DIMENSIONS ARE IN MILLIMETERS
WEIGHT ARE IN KILOGRAMM

PART NUMBER / DWG NO.:

LM202-1

	NAME	SIGNATURE	DATE	REVISION
DRAWN	Meelis Rebase		06.07.2014	
APPV'D				

DESCRIPTION:

Play Centre MARIE
connecting beam and climbing net to post



Tiptap OÜ

Tiptap OÜ
Veetorni 9,
Jüri alevik, Rae vald,
75301 Harjumaa

MATERIAL:

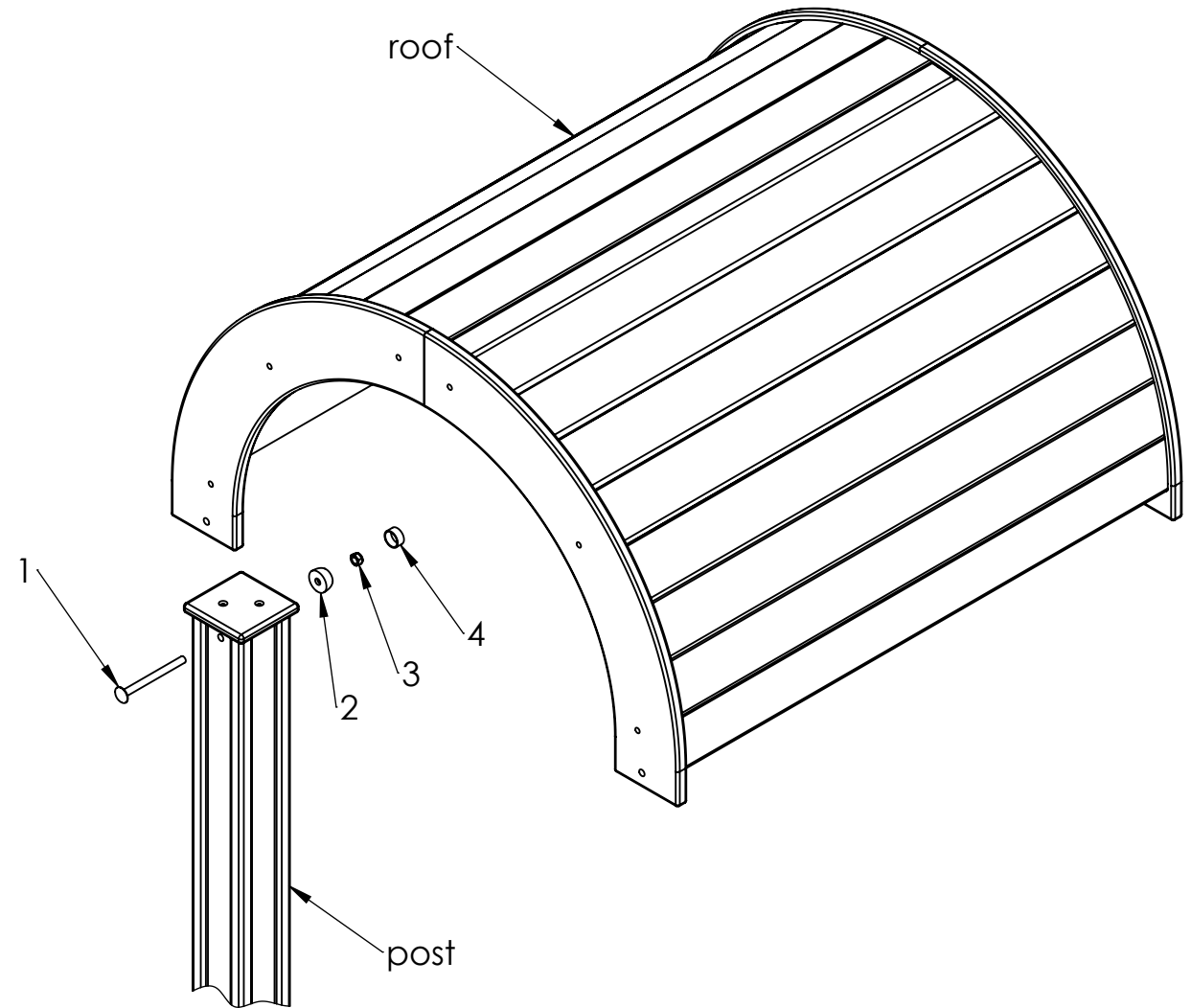
wood, metal, plastic

A4

WEIGHT:

SCALE: 1:8

SHEET 13 OF 14



ITEM NO.	PART NUMBER
1	bolt DIN603 M10x120
2	nut cover M10
3	nut DIN985 M10
4	nut cover cap M10

UNLESS OTHERWISE SPECIFIED:
DIMENSIONS ARE IN MILLIMETERS
WEIGHT ARE IN KILOGRAMM

PART NUMBER / DWG NO.:

LM202-1

	NAME	SIGNATURE	DATE	REVISION
DRAWN	Meelis Rebase		06.07.2014	
APPV'D				

DESCRIPTION:

Play Centre MARIE
connecting roof to post



Tiptaptap OÜ

Tiptaptap OÜ
Veetorni 9,
Jüri alevik, Rae vald,
75301 Harjumaa

MATERIAL:

wood, metal, plastic

A4

WEIGHT:

SCALE: 1:10

SHEET 14 OF 14