

A

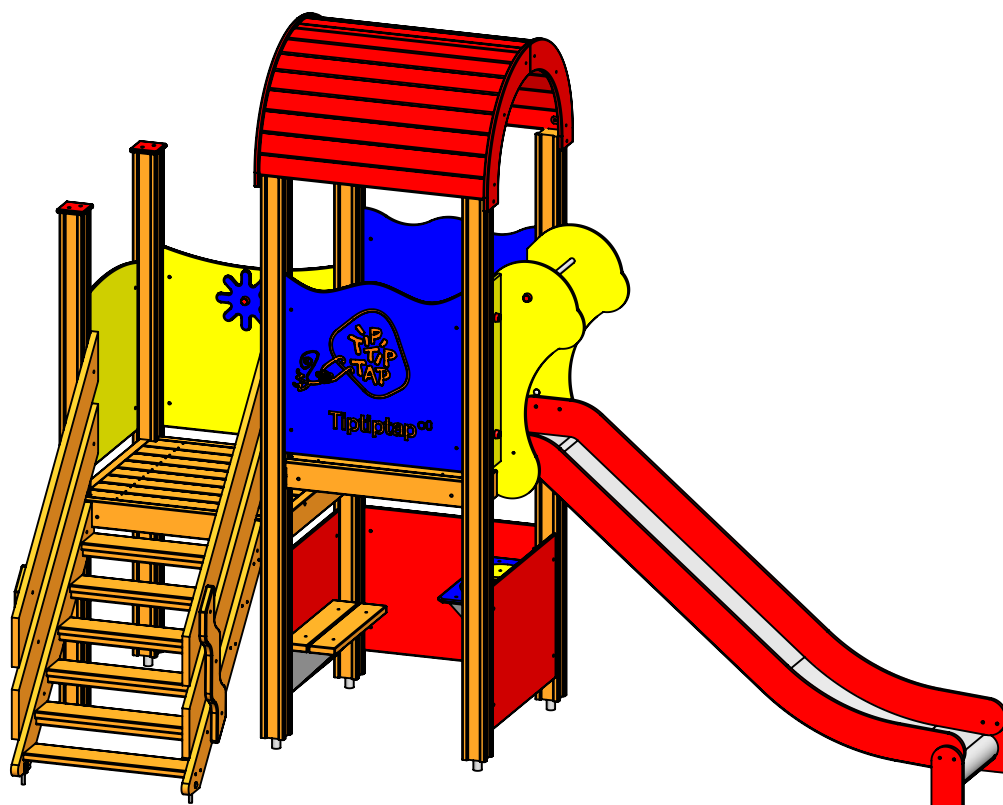
B

C

D

E

F



UNLESS OTHERWISE SPECIFIED:
DIMENSIONS ARE IN MILLIMETERS
WEIGHT ARE IN KILOGRAMM

PART NUMBER / DWG NO.:

LM201

	NAME	SIGNATURE	DATE	REVISION
DRAWN	M.Rebase		09.07.2014	
APPV'D				

DESCRIPTION:

Slide EMMA



Tiptiptap OÜ

Tiptiptap OÜ
Veetorni 9,
Jüri alevik, Rae vald,
75301 Harjumaa

MATERIAL:

wood, metal, plastic

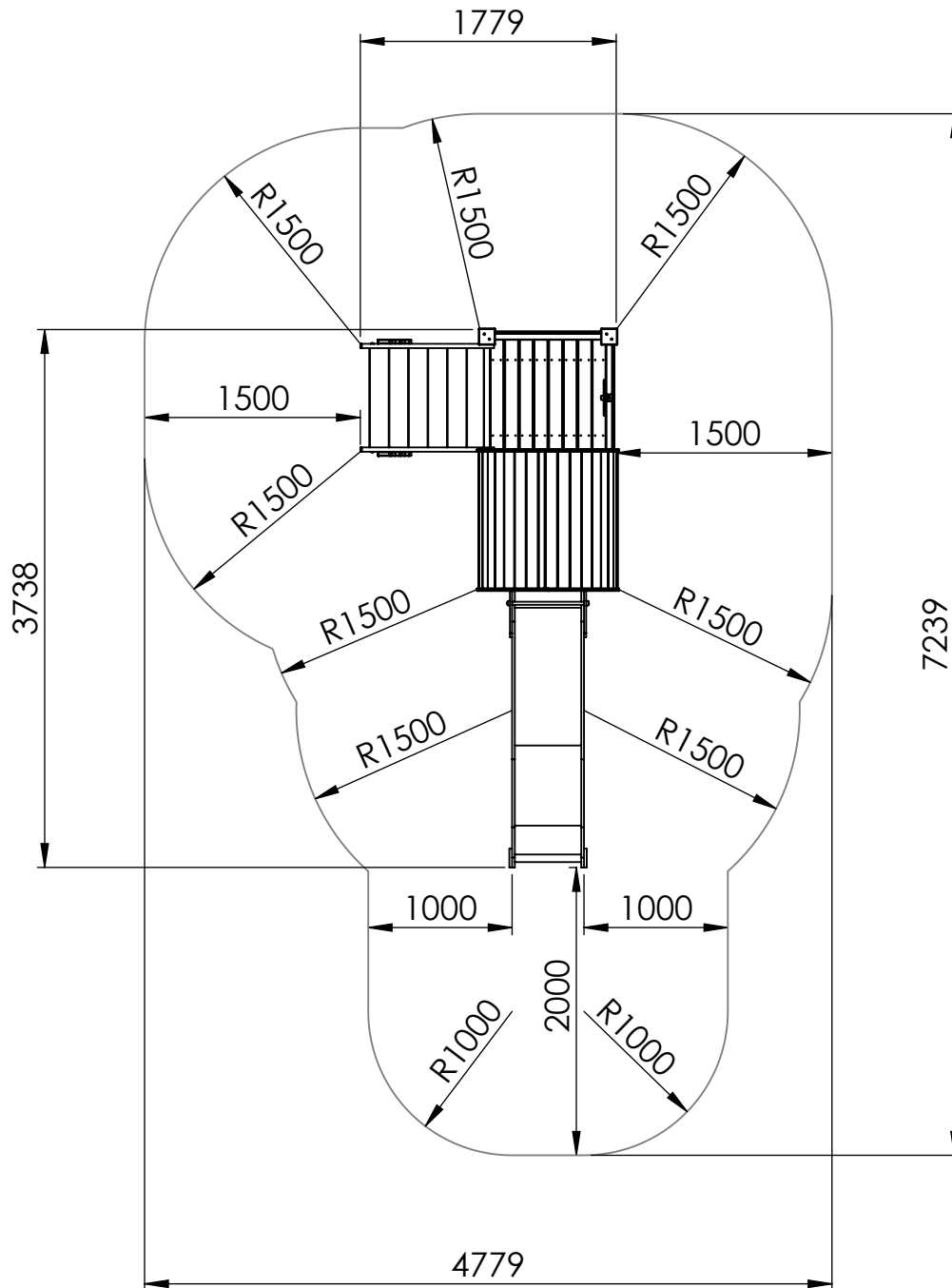
A4

WEIGHT:

SCALE: 1:30

SHEET 1 OF 15

safety area



UNLESS OTHERWISE SPECIFIED:
DIMENSIONS ARE IN MILLIMETERS
WEIGHT ARE IN KILOGRAMM

PART NUMBER / DWG NO.:

LM201

	NAME	SIGNATURE	DATE	REVISION
DRAWN	M.Rebase		09.07.2014	
APPV'D				

DESCRIPTION:

Slide EMMA



Tiptap OÜ

Tiptap OÜ
Veetorni 9,
Jüri alevik, Rae vald,
75301 Harjumaa

MATERIAL:

wood, metal, plastic

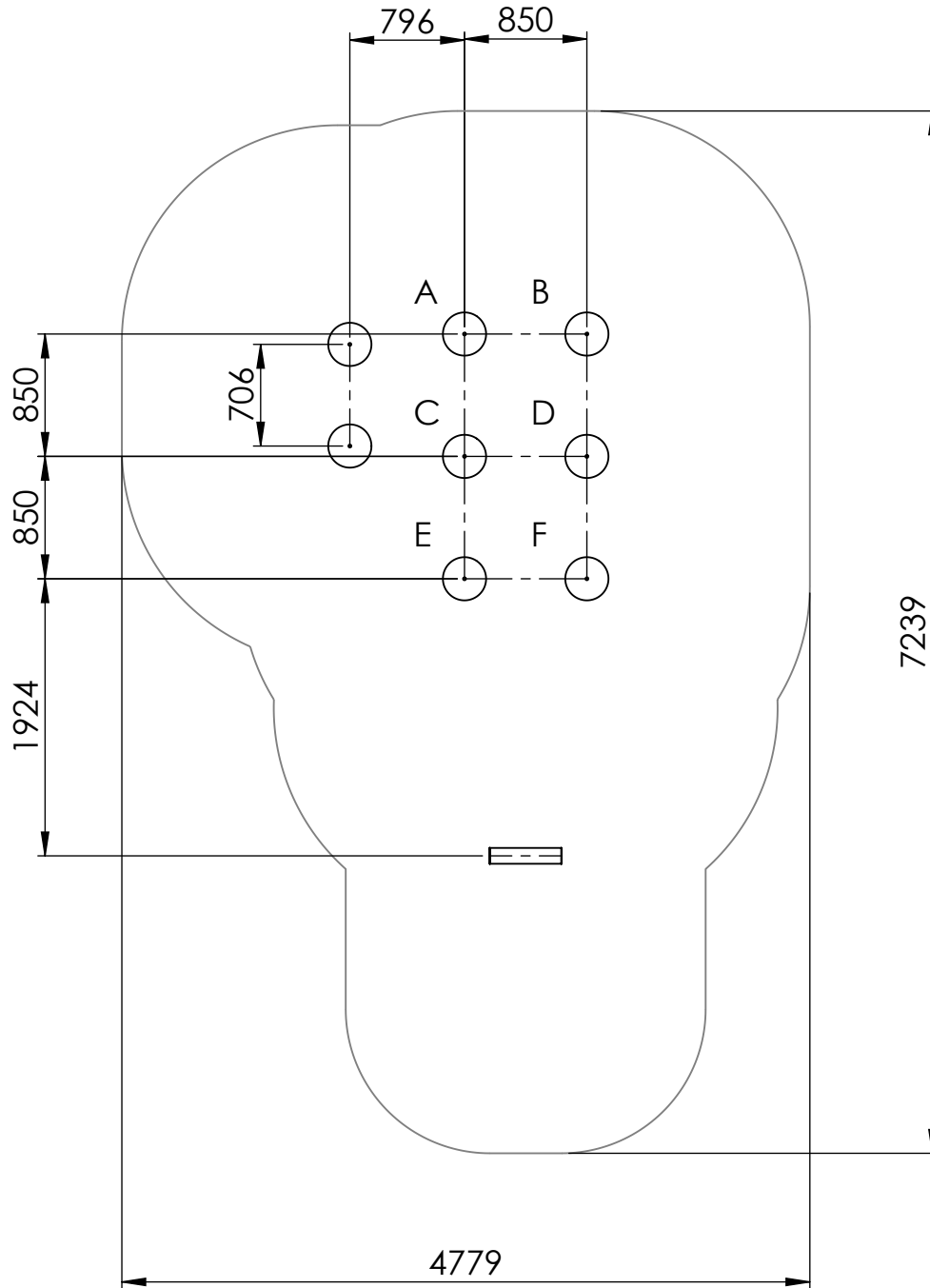
A4

WEIGHT:

SCALE: 1:50

SHEET 2 OF 15

foundation



UNLESS OTHERWISE SPECIFIED:
DIMENSIONS ARE IN MILLIMETERS
WEIGHT ARE IN KILOGRAMM

PART NUMBER / DWG NO.:

LM201

	NAME	SIGNATURE	DATE	REVISION
DRAWN	M.Rebase		09.07.2014	
APPV'D				

DESCRIPTION:

Slide EMMA



Tiptaptap OÜ

Tiptaptap OÜ
Veetorni 9,
Jüri alevik, Rae vald,
75301 Harjumaa

MATERIAL:

wood, metal, plastic

A4

WEIGHT:

SCALE: 1:50

SHEET 3 OF 15

A

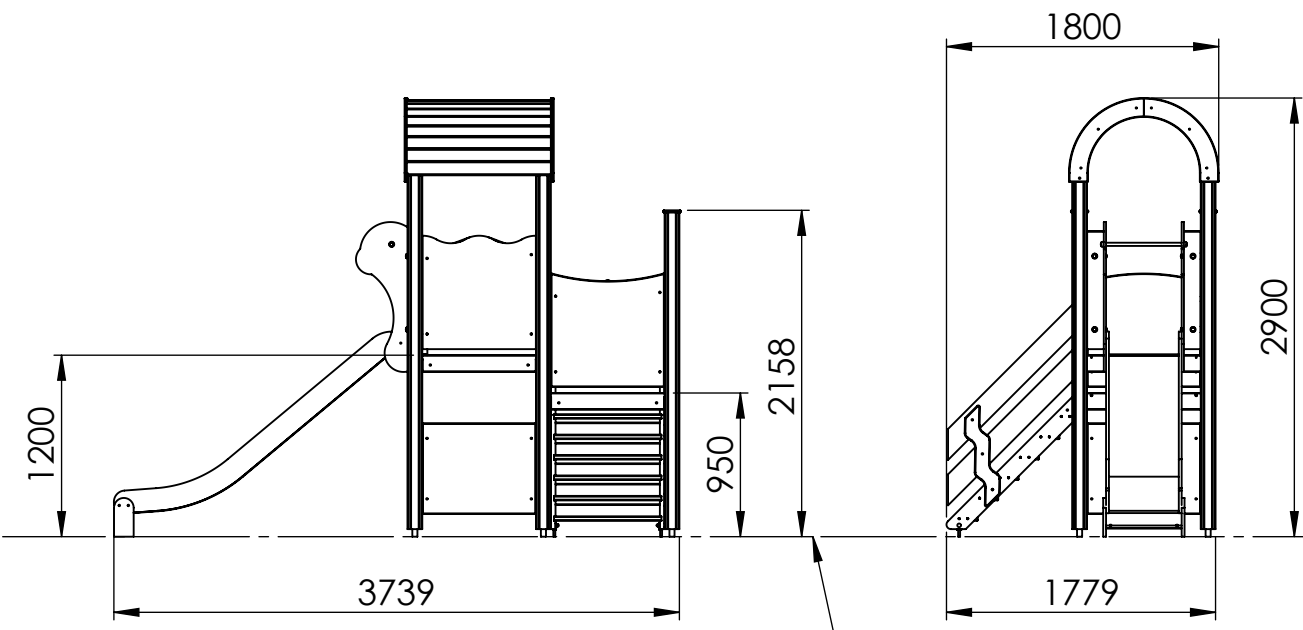
B

C

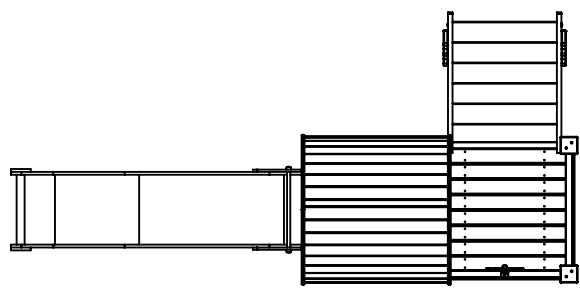
D

E

F



ground

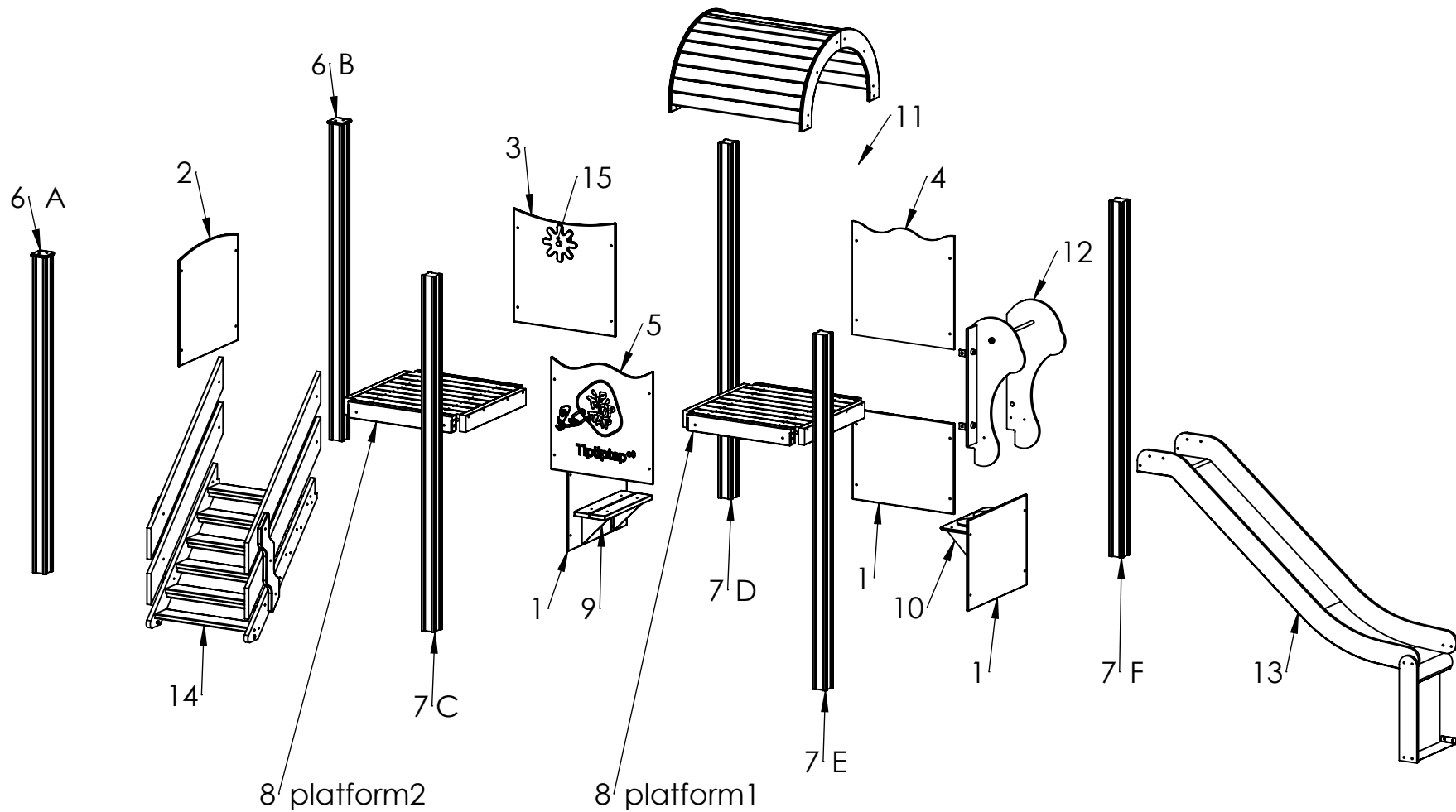


UNLESS OTHERWISE SPECIFIED: DIMENSIONS ARE IN MILLIMETERS WEIGHT ARE IN KILOGRAMM				
	NAME	SIGNATURE	DATE	REVISION
DRAWN	M.Rebase		09.07.2014	
APPV'D				

PART NUMBER / DWG NO.:	LM201
DESCRIPTION:	Slide EMMA


Tiptaptap OÜ
 Veetorni 9,
 Jüri alevik, Rae vald,
 75301 Harjumaa

MATERIAL:	wood, metal, plastic	A4
WEIGHT:	SCALE: 1:50	SHEET 4 OF 15



UNLESS OTHERWISE SPECIFIED:
 DIMENSIONS ARE IN MILLIMETERS
 WEIGHT ARE IN KILOGRAMM

	NAME	SIGNATURE	DATE	REVISION
DRAWN	M.Rebase		09.07.2014	
APPV'D				

PART NUMBER / DWG NO.:
LM201

DESCRIPTION:
Slide EMMA




Tiptaptap OÜ
 Tiptaptap OÜ
 Veetorni 9,
 Jüri alevik, Rae vald,
 75301 Harjumaa

MATERIAL:	wood, metal, plastic	A4
WEIGHT:		SCALE: 1:40
		SHEET 5 OF 15

ITEM NO.	PART NUMBER	DESCRIPTION	QTY.	
A	1	panel 750x600	plywood	3
	2	panel 750x750	plywood	1
	3	panel 750x750	plywood	1
	4	panel 750x750	plywood	1
	5	panel 750x750 with logo	plywood	1
	6	post 98x98x2100	laminated wood	2
B	7	post 98x98x2350	laminated wood	4
	8	platform	laminated wood, metal	2
	9	playcorner-bench	laminated wood, plastic	1
	10	playcorner-kitchen	plywood, plastic	1
	11	roof	wood, PE plastic	1
	12	slide guard block	plywood, metal, plastic	1
	13	slide h_1200	stainless steel, PE plastic	1
	14	stairs	laminated wood	1
15	captain wheel with fixings	plastic, metal	1	

C	
D	
E	

F	UNLESS OTHERWISE SPECIFIED: DIMENSIONS ARE IN MILLIMETERS WEIGHT ARE IN KILOGRAMM				PART NUMBER / DWG NO.: LM201		
		NAME	SIGNATURE	DATE	REVISION	DESCRIPTION: Slide EMMA	
	DRAWN	M.Rebase		09.07.2014			
	APPV'D						
	 Tiptiptap OÜ Tiptiptap OÜ Veetorni 9, Jüri alevik, Rae vald, 75301 Harjumaa					MATERIAL:	wood, metal, plastic
					WEIGHT:	SCALE: 1:1	SHEET 6 OF 15

A

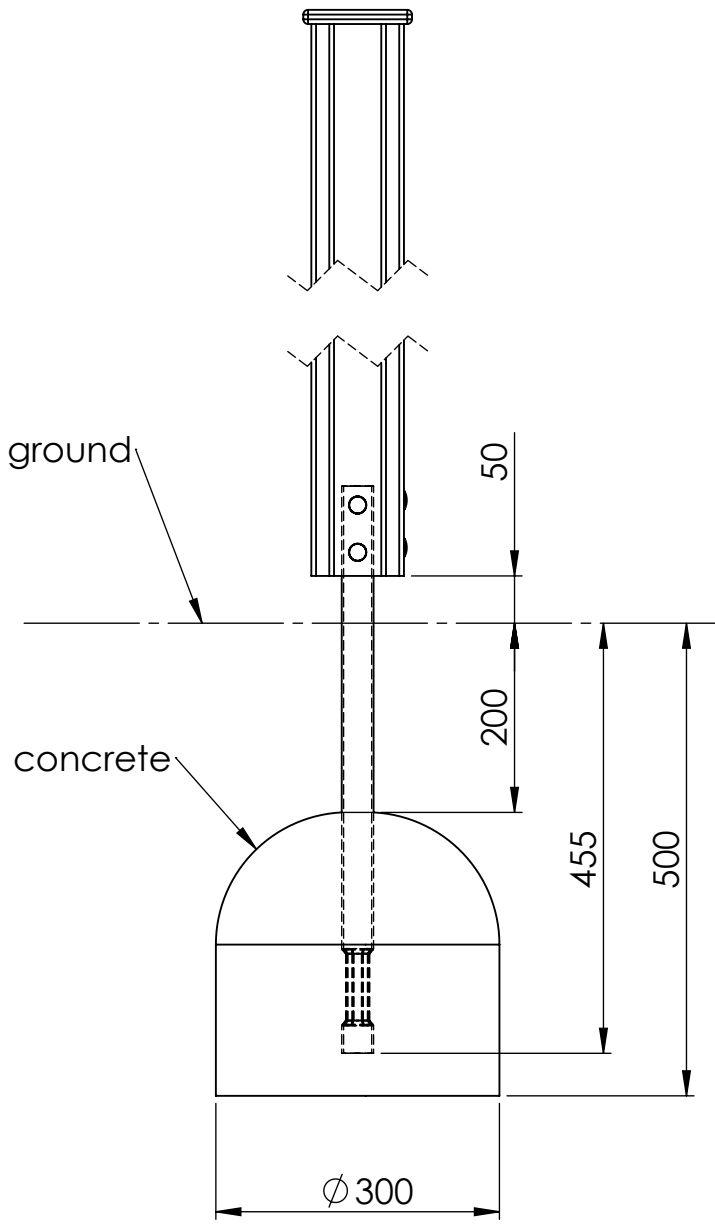
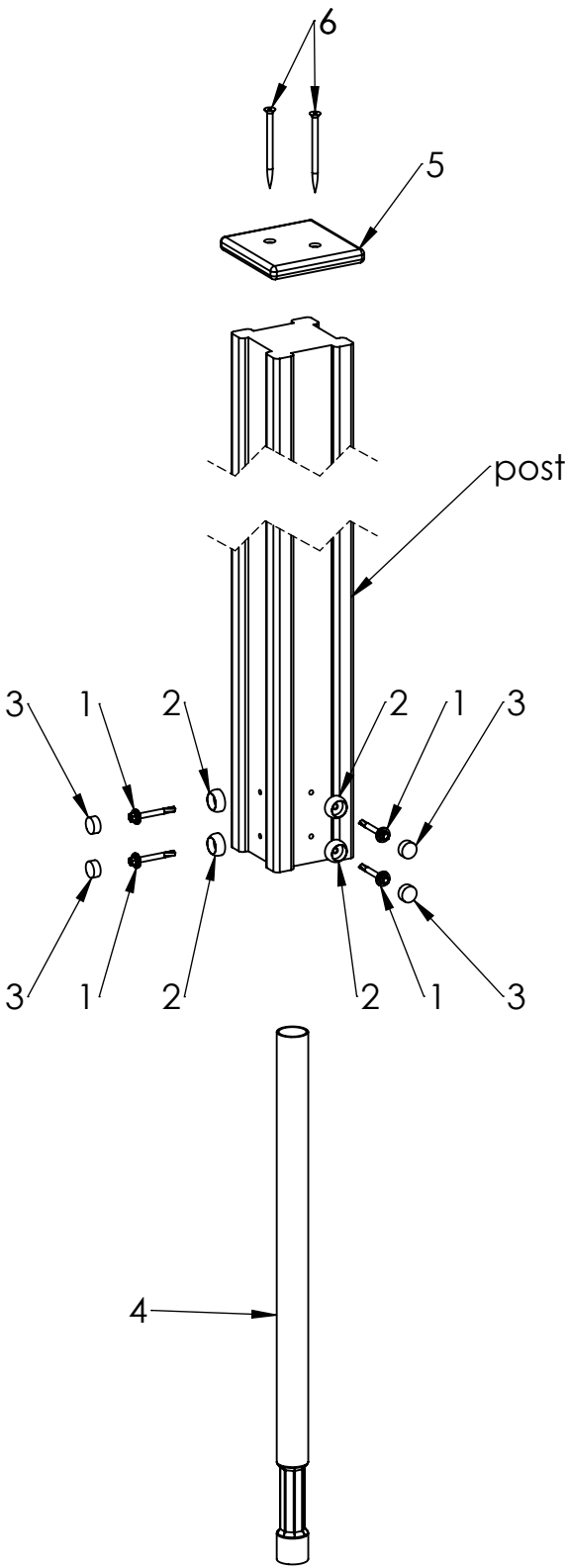
B

C

D

E

F



ITEM NO.	PART NUMBER
1	screw DIN7504K 5,5x50
2	nut cover M6
3	nut cover cap M6
4	metal ground fixing L_600
5	plastic cap 115x115
6	woodscrew 6 x 90

UNLESS OTHERWISE SPECIFIED: DIMENSIONS ARE IN MILLIMETERS WEIGHT ARE IN KILOGRAMM				
	NAME	SIGNATURE	DATE	REVISION
DRAWN	M.Rebase		09.07.2014	
APPV'D				

PART NUMBER / DWG NO.:	LM201
DESCRIPTION:	Slide EMMA connecting metal ground fixing to post



Tiptiptap OÜ
Veetorni 9,
Jüri alevik, Rae vald,
75301 Harjumaa

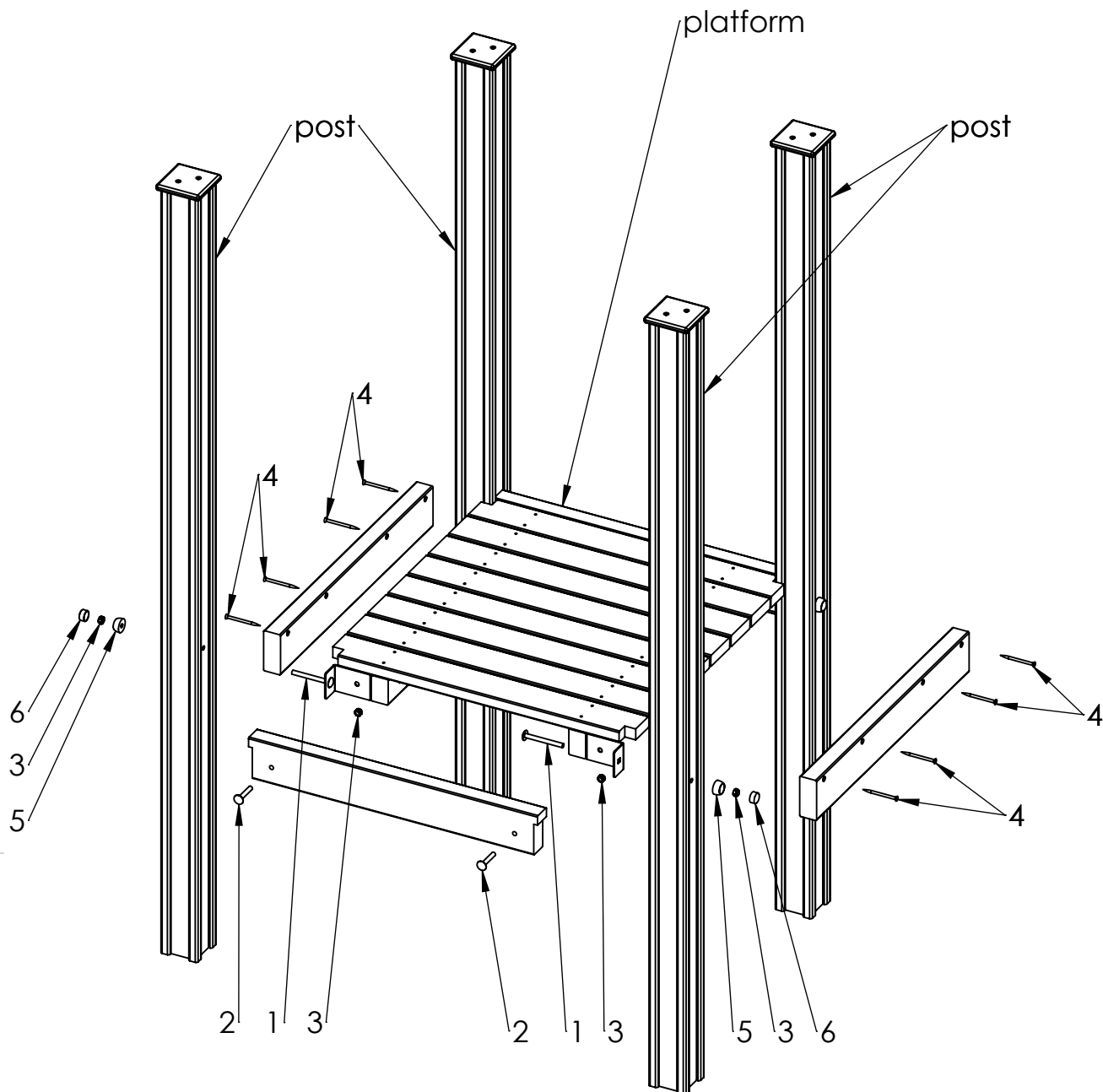
MATERIAL:	wood, metal, plastic	A4
WEIGHT:	SCALE: 1:8	SHEET 7 OF 15

A

B

C

D



E

ITEM NO.	PART NUMBER
1	bolt DIN603 M10x100
2	bolt DIN603 M10x60
3	nut DIN985 M10
4	woodscrew 6 x 90
5	nut cover M10
6	nut cover cap M10

F

UNLESS OTHERWISE SPECIFIED:
DIMENSIONS ARE IN MILLIMETERS
WEIGHT ARE IN KILOGRAMM

	NAME	SIGNATURE	DATE	REVISION
DRAWN	M.Rebase		09.07.2014	
APPV'D				

PART NUMBER / DWG NO.:

LM201

DESCRIPTION:

Slide EMMA
connecting platform to post

MATERIAL:

wood, metal, plastic

A4

WEIGHT:

SCALE: 1:15

SHEET 8 OF 15



Tiptaptap OÜ

Tiptaptap OÜ
Veetorni 9,
Jüri alevik, Rae vald,
75301 Harjumaa

A

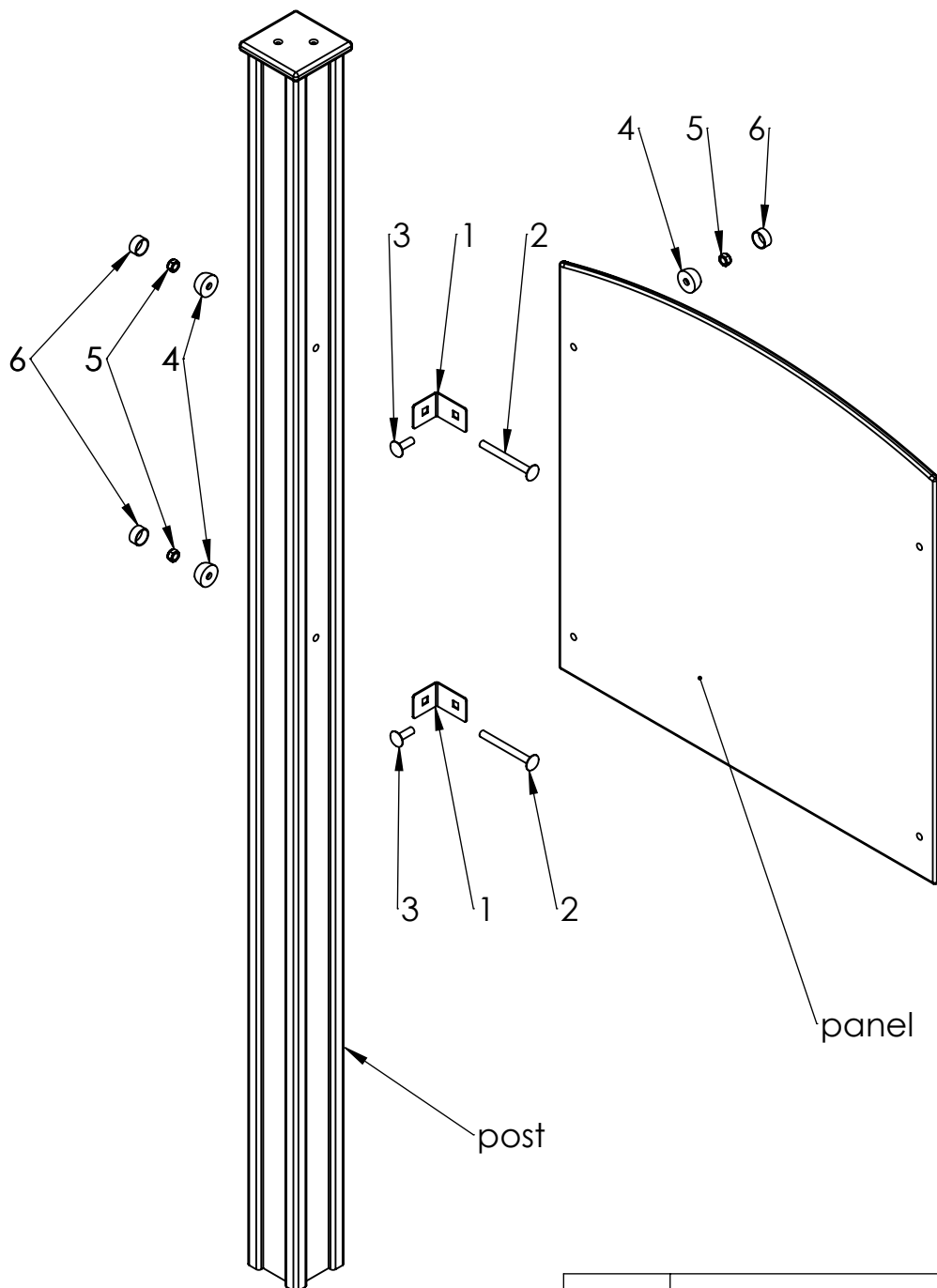
B

C

D

E

F



ITEM NO.	PART NUMBER
1	corner 48x60
2	bolt DIN603 M10x100
3	bolt DIN603 M10x30
4	nut cover M10
5	nut DIN985 M10
6	nut cover cap M10

UNLESS OTHERWISE SPECIFIED:
DIMENSIONS ARE IN MILLIMETERS
WEIGHT ARE IN KILOGRAMM

PART NUMBER / DWG NO.:

LM201

	NAME	SIGNATURE	DATE	REVISION
DRAWN	M.Rebase		09.07.2014	
APPV'D				

DESCRIPTION:

Slide EMMA
connecting panel to post

MATERIAL:

wood, metal, plastic

A4

WEIGHT:

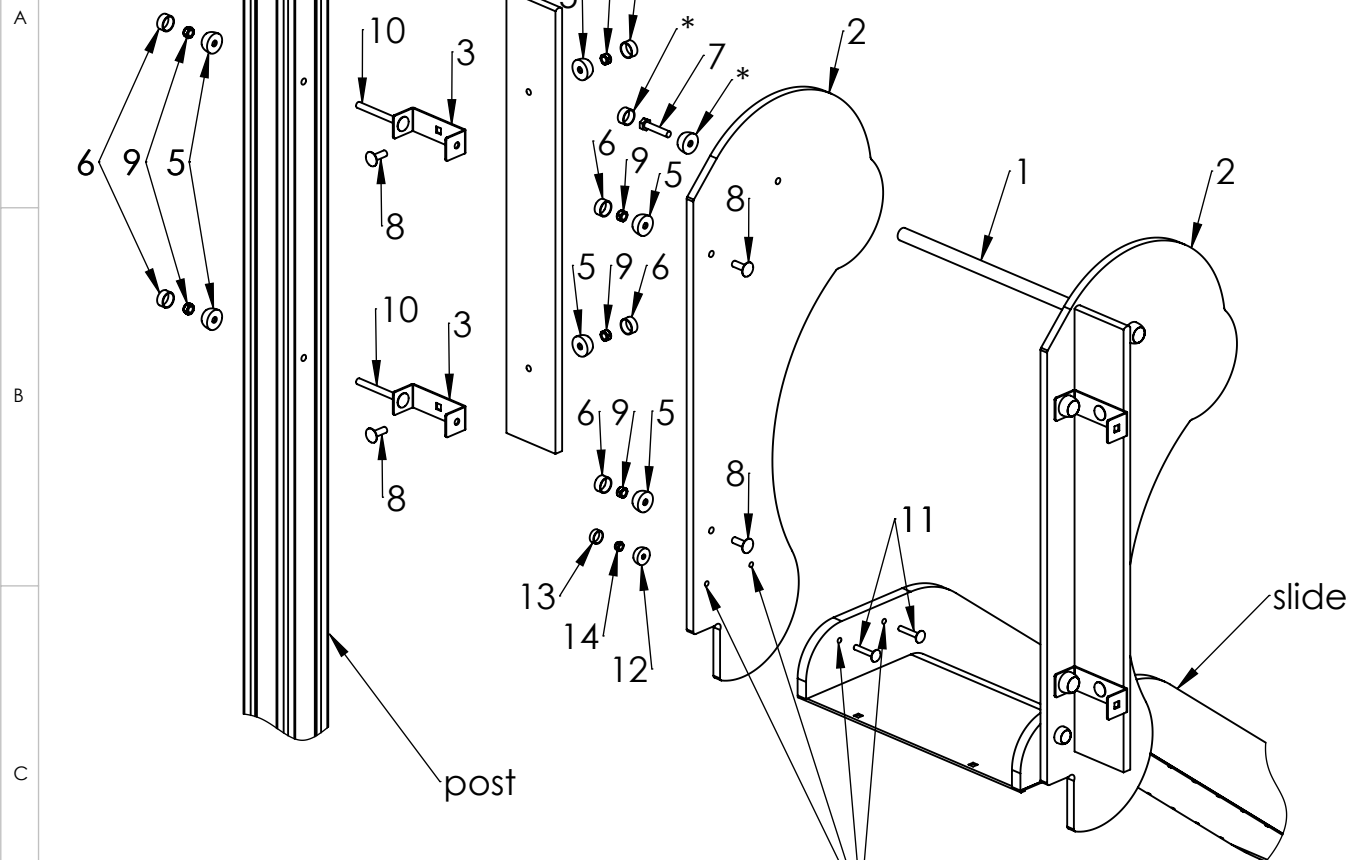
SCALE: 1:10

SHEET 9 OF 15



Tiptap OÜ

Tiptap OÜ
Veetorni 9,
Jüri alevik, Rae vald,
75301 Harjumaa



It is important to drill 8,5mm holes through side panel and slide.

ITEM NO.	PART NUMBER
1	slide guardrail
2	slide side panel
3	slide side panel fixing 40x120
4	side panel 110x780
5	nut cover M10
6	nut cover cap M10
7	bolt DIN931 M10x50
8	bolt DIN603 M10x30
9	nut DIN985 M10
10	bolt DIN603 M10x100
11	bolt DIN603 M8x45
12	nut cover M8
13	nut cover cap M8
14	nut DIN985 M8

UNLESS OTHERWISE SPECIFIED:
DIMENSIONS ARE IN MILLIMETERS
WEIGHT ARE IN KILOGRAMM

PART NUMBER / DWG NO.:

LM201

NAME	SIGNATURE	DATE	REVISION
DRAWN	M.Rebase	09.07.2014	
APPV'D			

DESCRIPTION:

Slide EMMA
connecting slide guard block to post

MATERIAL:

wood, metal, plastic

A4

WEIGHT:

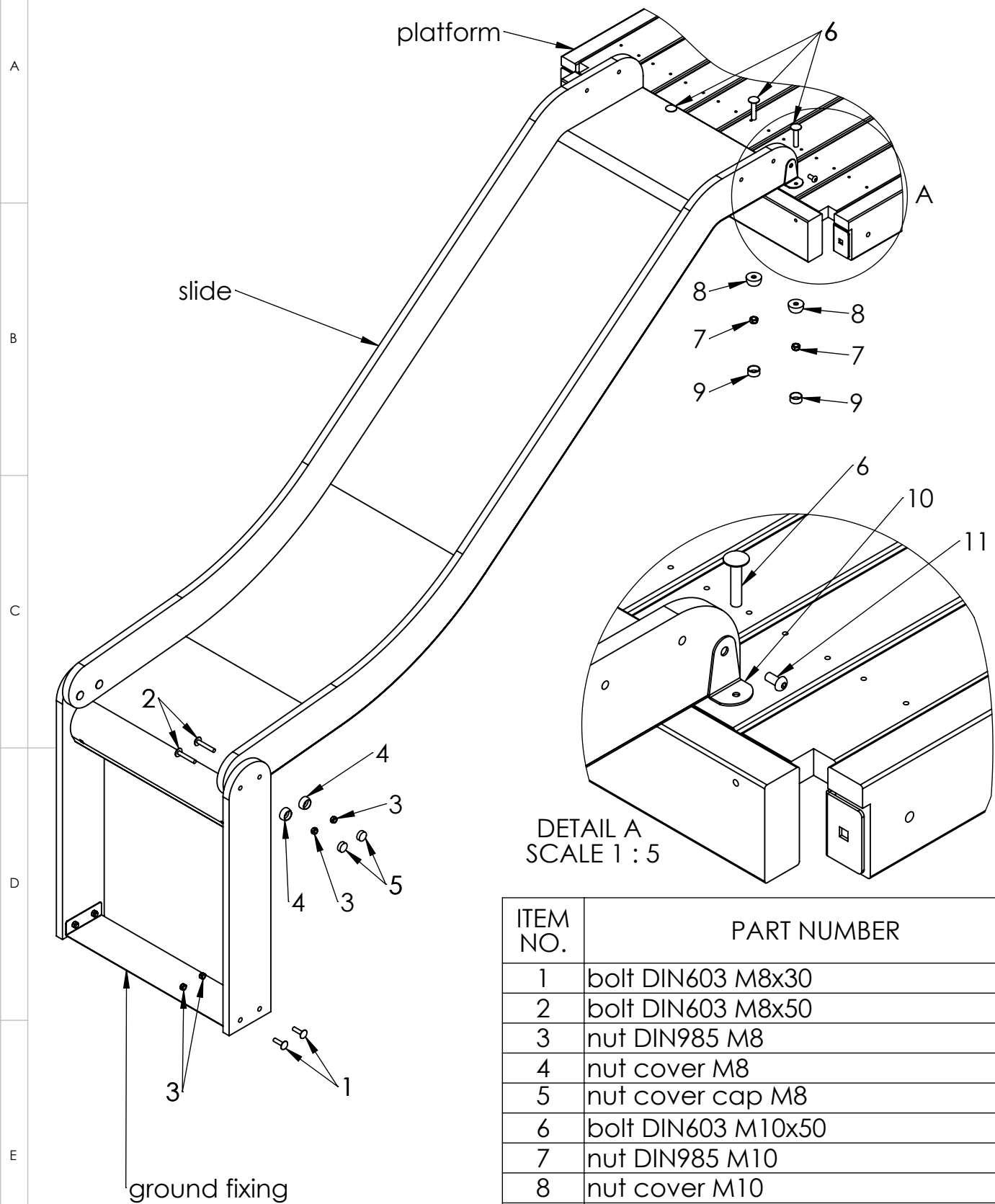
SCALE: 1:12

SHEET 10 OF 15



Tiptap OÜ

Tiptap OÜ
Veetorni 9,
Jüri alevik, Rae vald,
75301 Harjumaa



ITEM NO.	PART NUMBER
1	bolt DIN603 M8x30
2	bolt DIN603 M8x50
3	nut DIN985 M8
4	nut cover M8
5	nut cover cap M8
6	bolt DIN603 M10x50
7	nut DIN985 M10
8	nut cover M10
9	nut cover cap M10
10	corner 58x30
11	metal screw DIN 7380 M8x16

UNLESS OTHERWISE SPECIFIED:
DIMENSIONS ARE IN MILLIMETERS
WEIGHT ARE IN KILOGRAMM

PART NUMBER / DWG NO.:

LM201

	NAME	SIGNATURE	DATE	REVISION
DRAWN	M.Rebase		09.07.2014	
APPV'D				

DESCRIPTION:

Slide EMMA
connecting slide to platform

MATERIAL:

wood, metal, plastic

A4

WEIGHT:

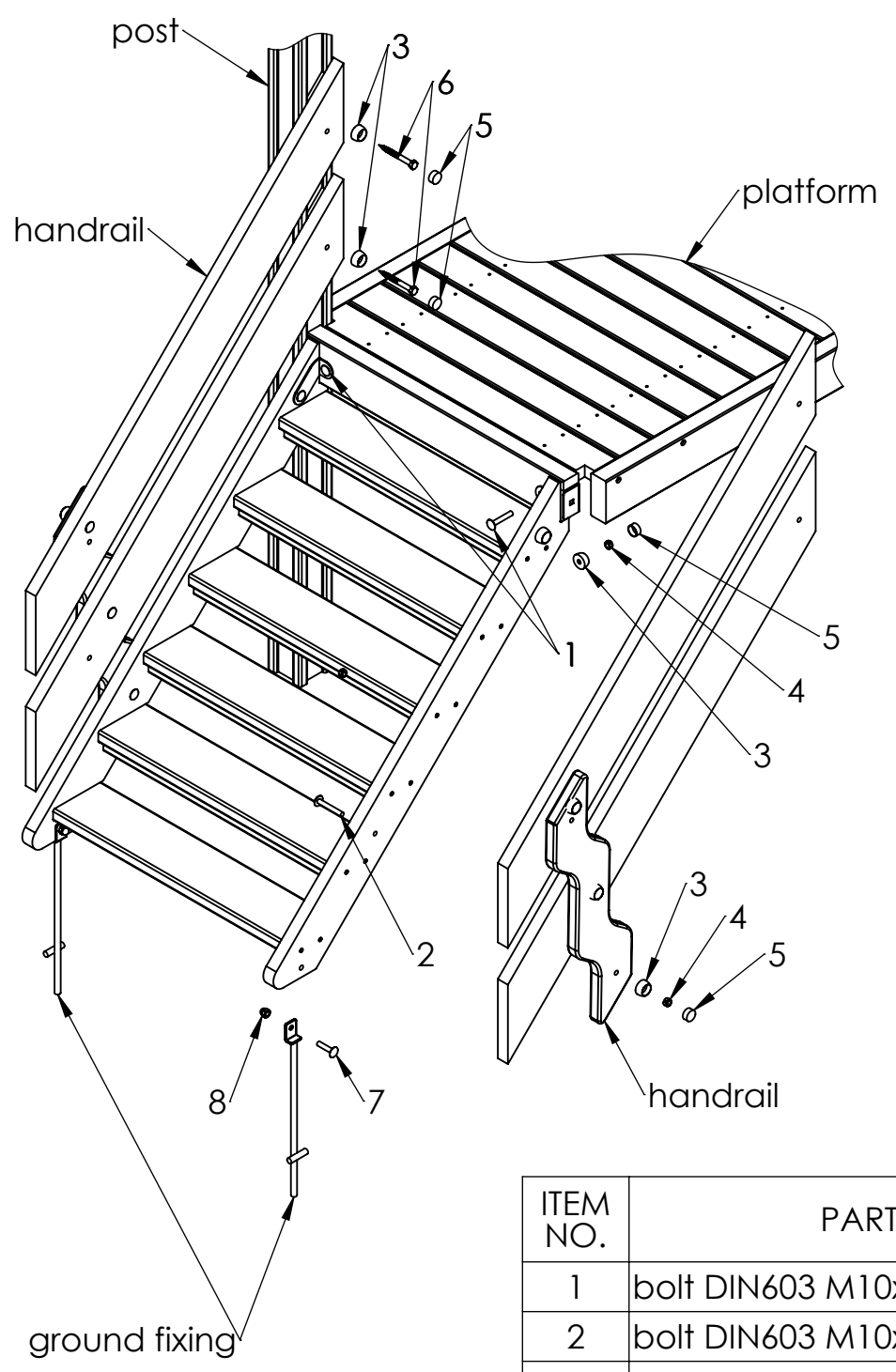
SCALE: 1:12

SHEET 11 OF 15



Tiptaptap OÜ

Tiptaptap OÜ
Veetorni 9,
Jüri alevik, Rae vald,
75301 Harjumaa



ITEM NO.	PART NUMBER
1	bolt DIN603 M10x60
2	bolt DIN603 M10x70
3	nut cover M10
4	nut DIN985 M10
5	nut cover cap M10
6	wood screw DIN571 10x100
7	bolt DIN603 M10x45
8	domed cap nut DIN1587 M10

UNLESS OTHERWISE SPECIFIED:
DIMENSIONS ARE IN MILLIMETERS
WEIGHT ARE IN KILOGRAMM

	NAME	SIGNATURE	DATE	REVISION
DRAWN	M.Rebase		09.07.2014	
APPV'D				

PART NUMBER / DWG NO.:
LM201

DESCRIPTION:
**Slide EMMA
connecting stairs to platform**



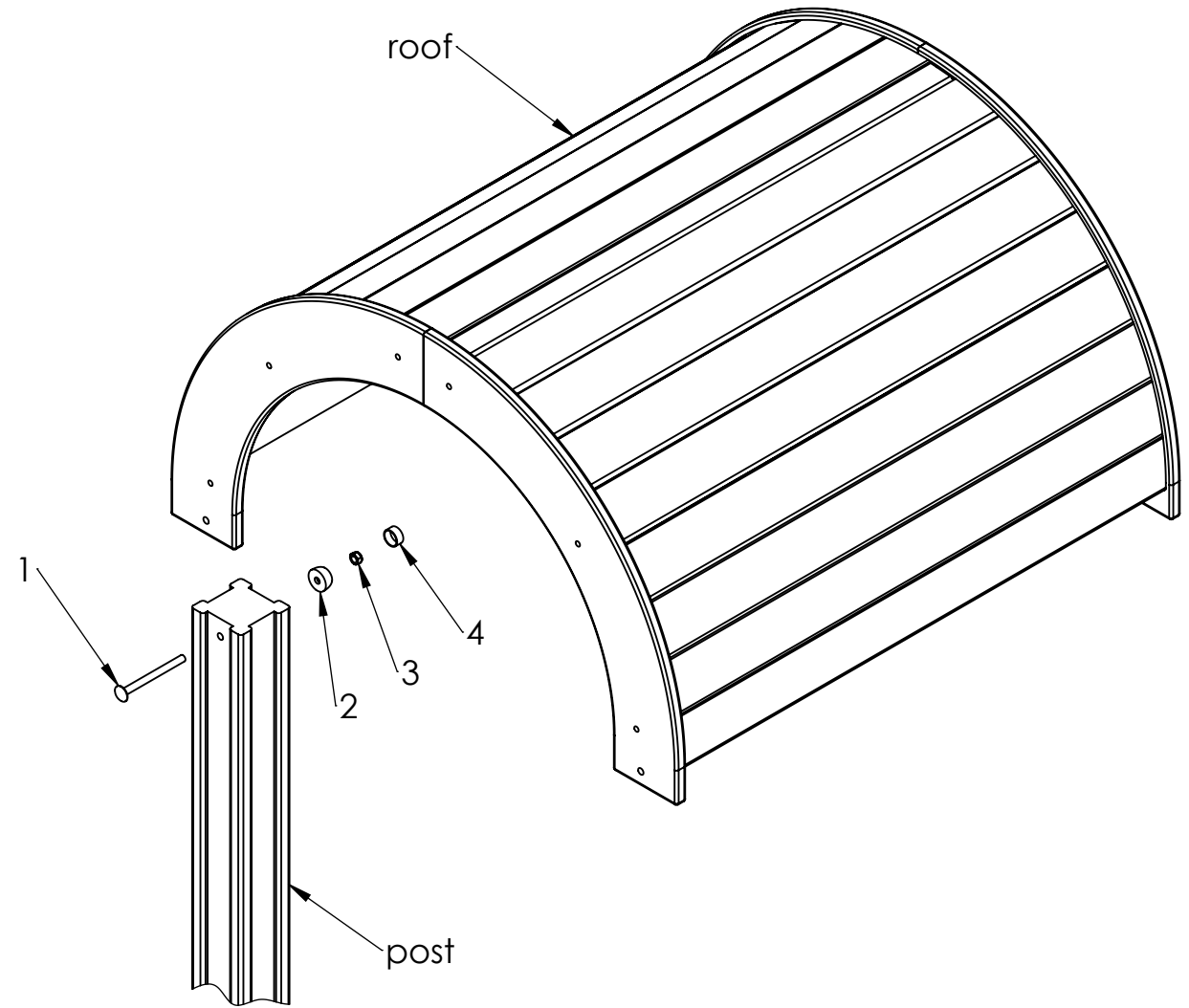
Tiptaptap OÜ

Tiptaptap OÜ
Veetorni 9,
Jüri alevik, Rae vald,
75301 Harjumaa

MATERIAL: wood, metal, plastic

A4

WEIGHT: SCALE: 1:15 SHEET 12 OF 15



ITEM NO.	PART NUMBER
1	bolt DIN603 M10x120
2	nut cover M10
3	nut DIN985 M10
4	nut cover cap M10

UNLESS OTHERWISE SPECIFIED:
DIMENSIONS ARE IN MILLIMETERS
WEIGHT ARE IN KILOGRAMM

PART NUMBER / DWG NO.:

LM201

	NAME	SIGNATURE	DATE	REVISION
DRAWN	M.Rebase		09.07.2014	
APPV'D				

DESCRIPTION:

Slide EMMA
connecting roof to post



Tiptaptap OÜ

Tiptaptap OÜ
Veetorni 9,
Jüri alevik, Rae vald,
75301 Harjumaa

MATERIAL:

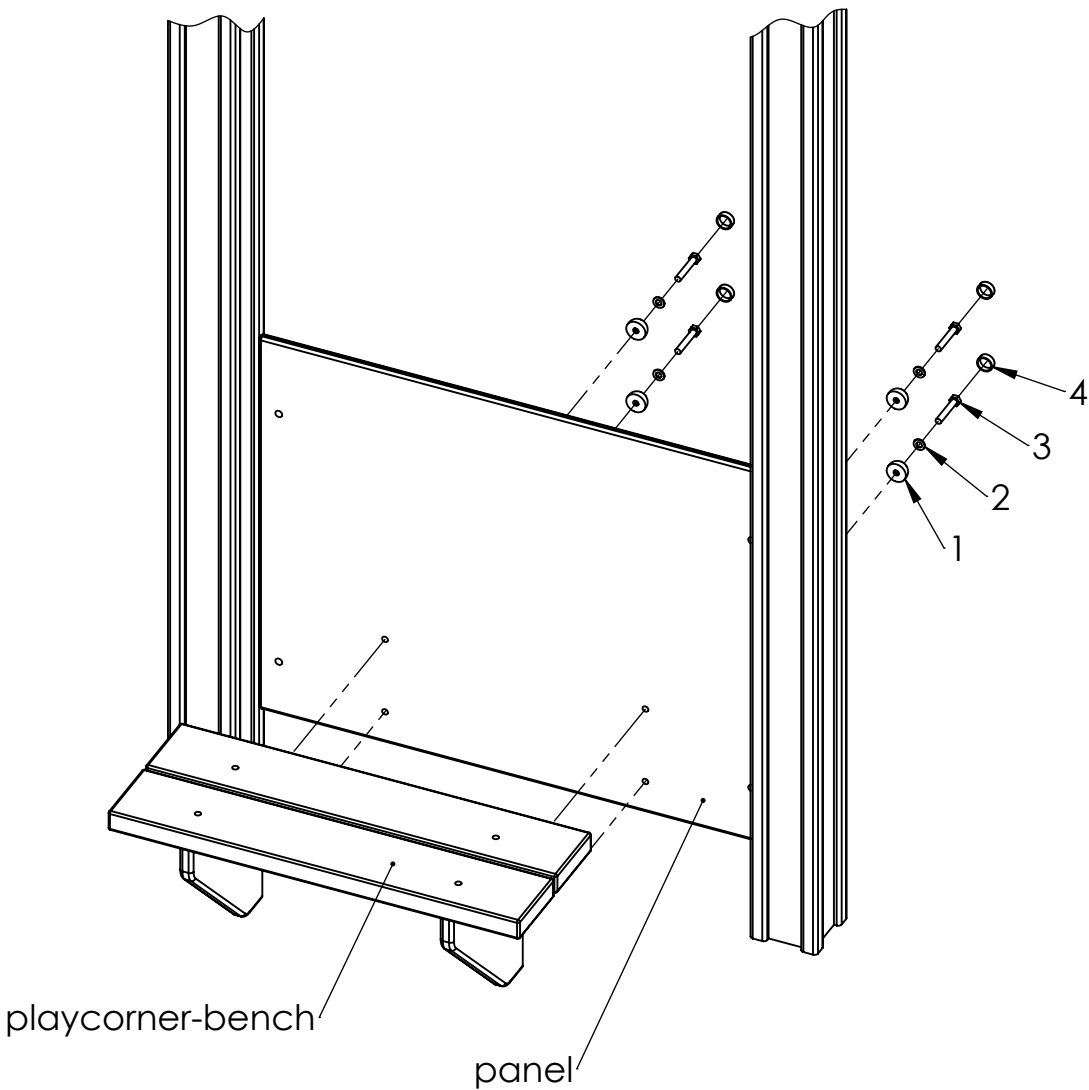
wood, metal, plastic

A4

WEIGHT:

SCALE: 1:10

SHEET 13 OF 15

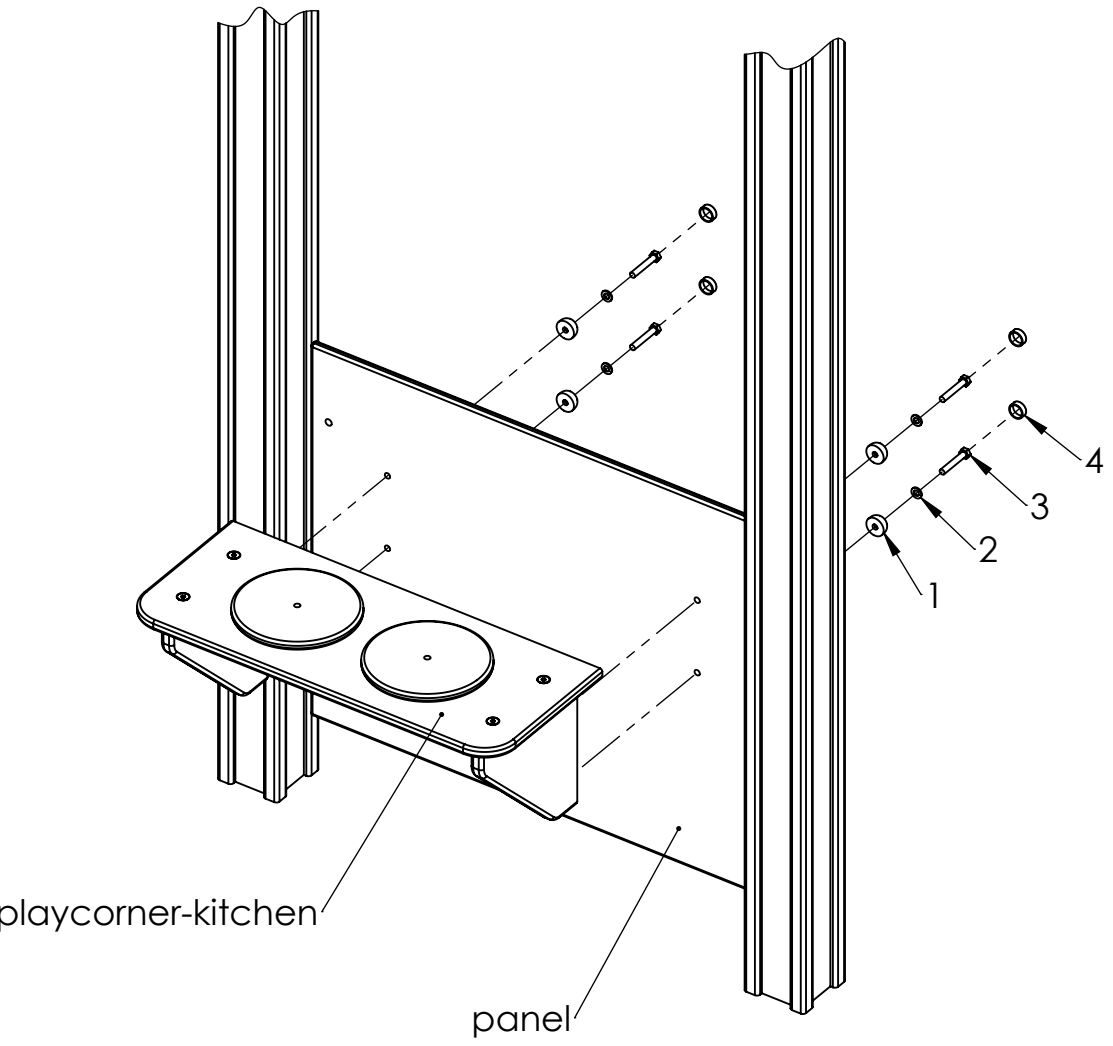


ITEM NO.	PART NUMBER
1	nut cover M8
2	washer M8
3	bolt DIN933 M8x50
4	nut cover cap M8

UNLESS OTHERWISE SPECIFIED: DIMENSIONS ARE IN MILLIMETERS WEIGHT ARE IN KILOGRAMM				
	NAME	SIGNATURE	DATE	REVISION
DRAWN	M.Rebase		09.07.2014	
APPV'D				

PART NUMBER / DWG NO.:		LM201	
DESCRIPTION:			
Slide EMMA connecting playcorner-bench to panel			
MATERIAL:		wood, metal, plastic	A4
WEIGHT:		SCALE: 1:10	SHEET 14 OF 15


Tiptaptap OÜ
 Veetorni 9,
 Jüri alevik, Rae vald,
 75301 Harjumaa



playcorner-kitchen

panel

ITEM NO.	PART NUMBER
1	nut cover M8
2	washer M8
3	bolt DIN933 M8x50
4	nut cover cap M8

UNLESS OTHERWISE SPECIFIED: DIMENSIONS ARE IN MILLIMETERS WEIGHT ARE IN KILOGRAMM				
	NAME	SIGNATURE	DATE	REVISION
DRAWN	M.Rebase		09.07.2014	
APPV'D				

PART NUMBER / DWG NO.:	LM201
DESCRIPTION:	Slide EMMA connecting playcorner-kitchen to panel



Tiptaptap OÜ

Tiptaptap OÜ
Veetorni 9,
Jüri alevik, Rae vald,
75301 Harjumaa

MATERIAL:	wood, metal, plastic	A4
WEIGHT:	SCALE: 1:10	SHEET 15 OF 15