

A

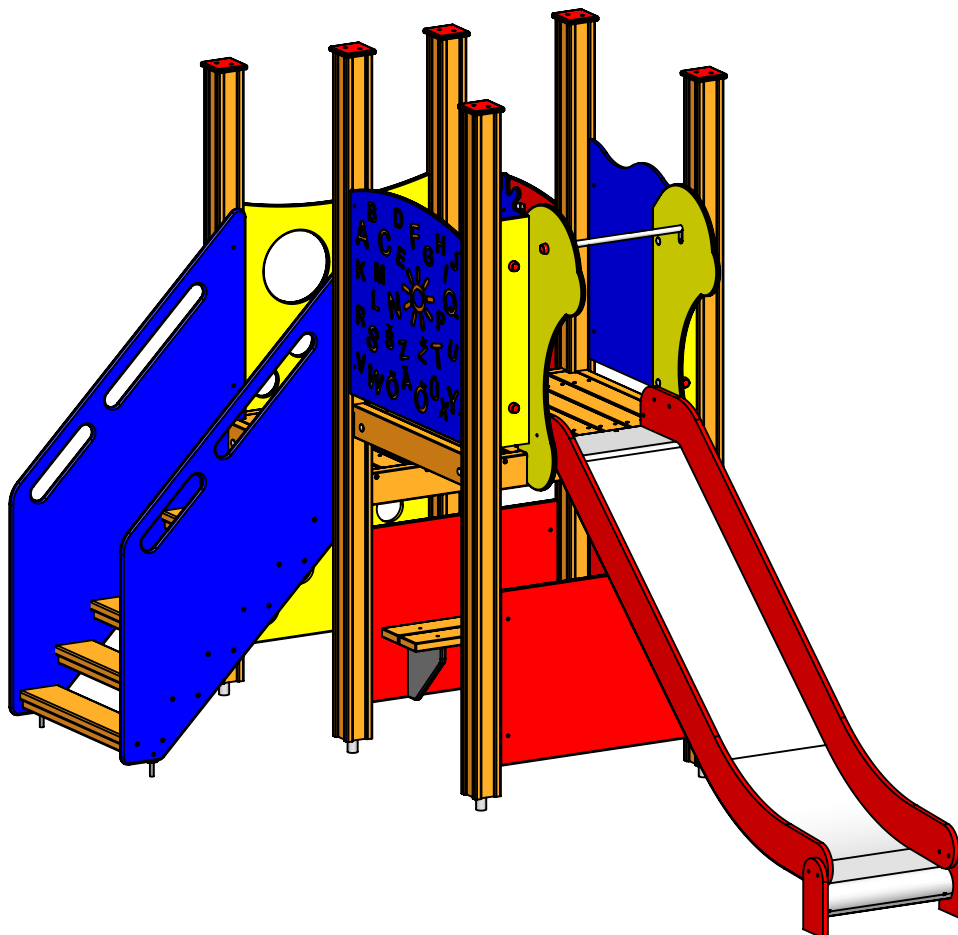
B

C

D

E

F



UNLESS OTHERWISE SPECIFIED:
DIMENSIONS ARE IN MILLIMETERS
WEIGHT ARE IN KILOGRAMM

PART NUMBER / DWG NO.:

LM200 MF

	NAME	SIGNATURE	DATE	REVISION
DRAWN	M.Rebase		26.05.2014	
APPV'D				

DESCRIPTION:

Slide LARS



Tiptaptap OÜ

Tiptaptap OÜ
Veetorni 9,
Jüri alevik, Rae vald,
75301 Harjumaa

MATERIAL:

wood, metal, plastic

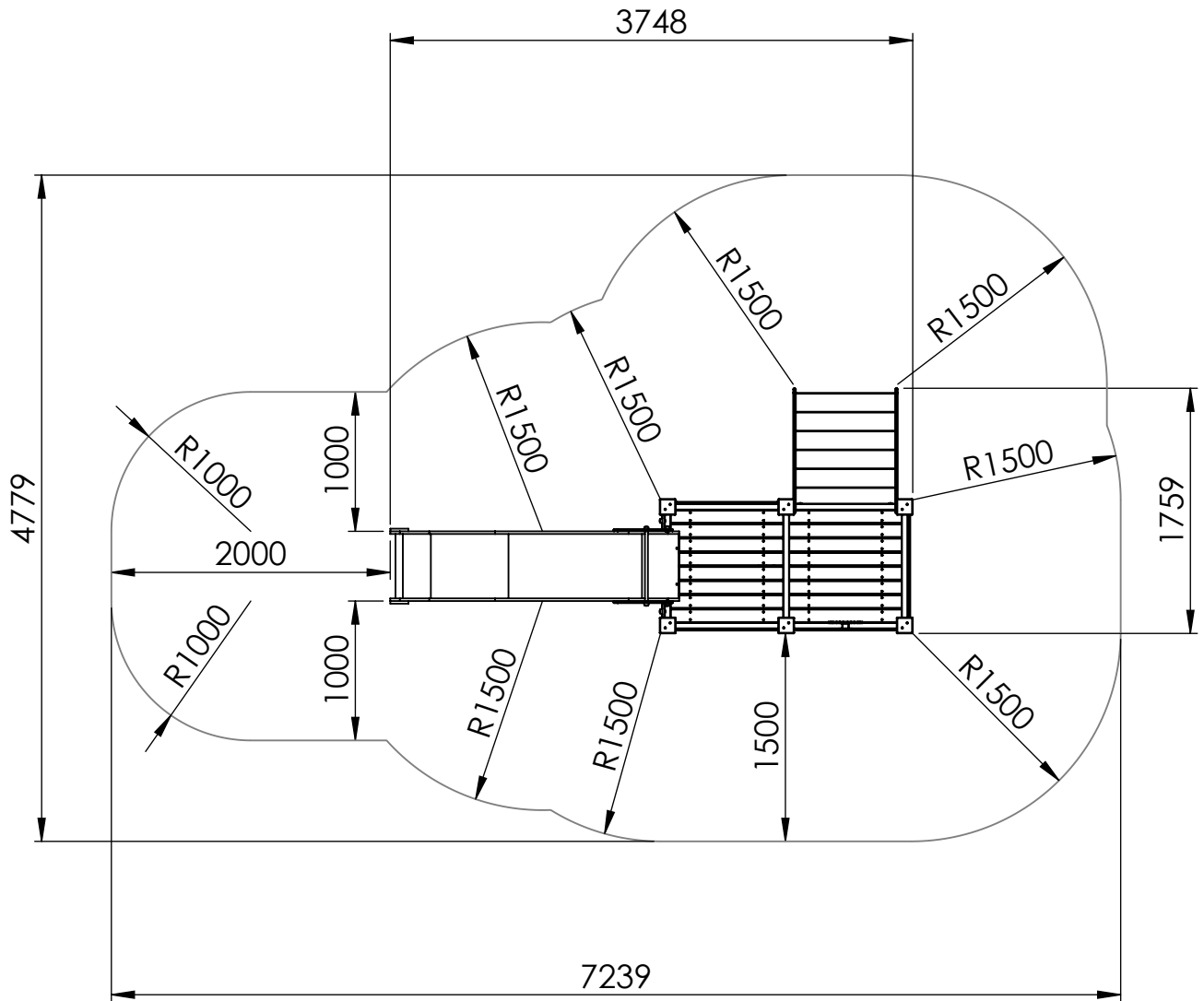
A4

WEIGHT:

SCALE: 1:25

SHEET 1 OF 15

safety area



UNLESS OTHERWISE SPECIFIED:
DIMENSIONS ARE IN MILLIMETERS
WEIGHT ARE IN KILOGRAMM

PART NUMBER / DWG NO.:

LM200 MF

	NAME	SIGNATURE	DATE	REVISION
DRAWN	M.Rebase		26.05.2014	
APPV'D				

DESCRIPTION:

Slide LARS



Tiptaptap OÜ

Tiptaptap OÜ
Veetorni 9,
Jüri alevik, Rae vald,
75301 Harjumaa

MATERIAL:

wood, metal, plastic

A4

WEIGHT:

SCALE: 1:25

SHEET 2 OF 15

foundation

A

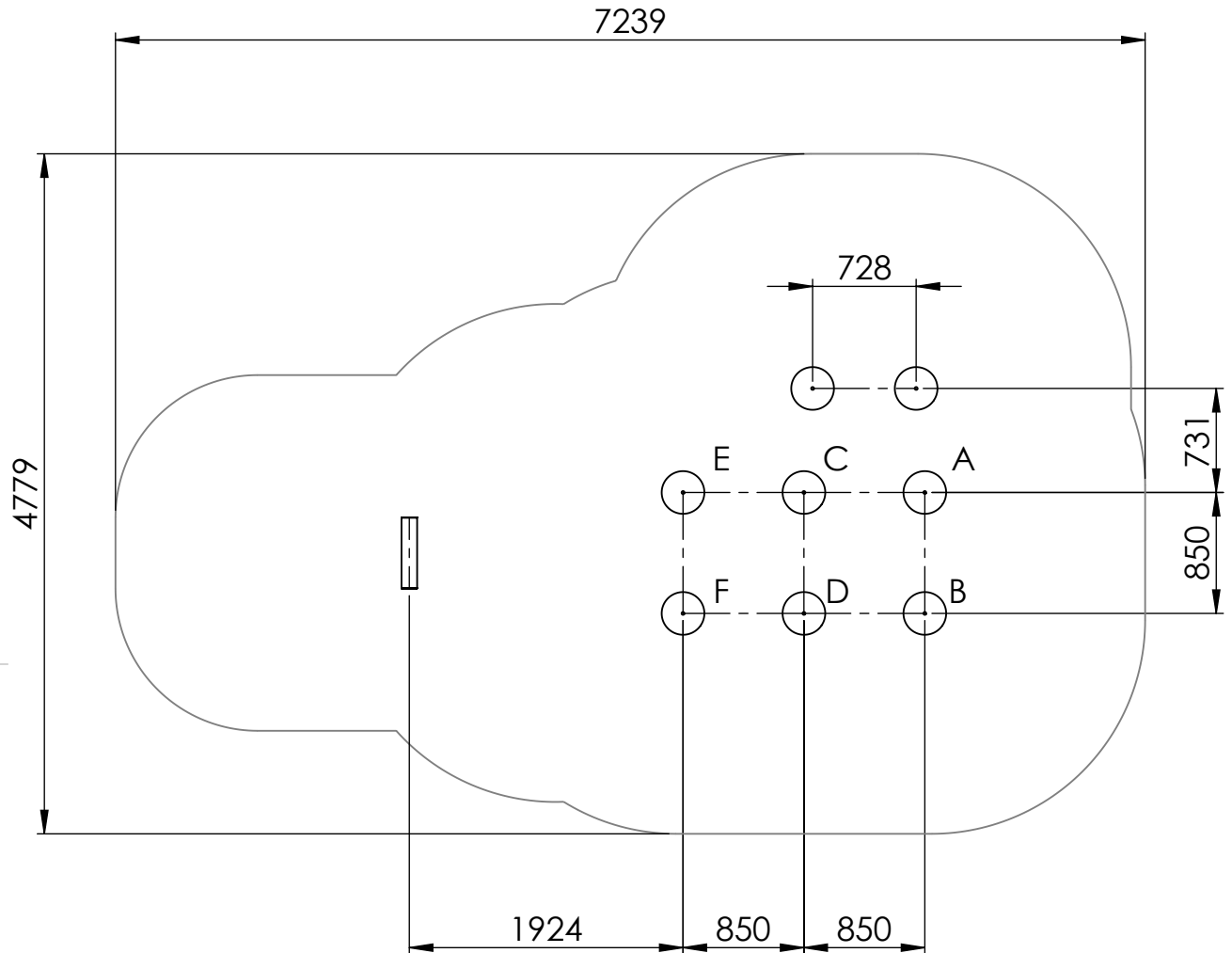
B

C

D

E

F



UNLESS OTHERWISE SPECIFIED: DIMENSIONS ARE IN MILLIMETERS WEIGHT ARE IN KILOGRAMM				
	NAME	SIGNATURE	DATE	REVISION
DRAWN	M.Rebase		26.05.2014	
APPV'D				

PART NUMBER / DWG NO.:	LM200 MF
DESCRIPTION:	Slide LARS


Tiptaptap OÜ
 Veetorni 9,
 Jüri alevik, Rae vald,
 75301 Harjumaa

MATERIAL:	wood, metal, plastic	A4
WEIGHT:	SCALE: 1:25	SHEET 3 OF 15

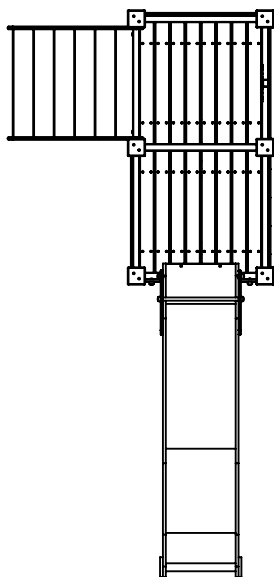
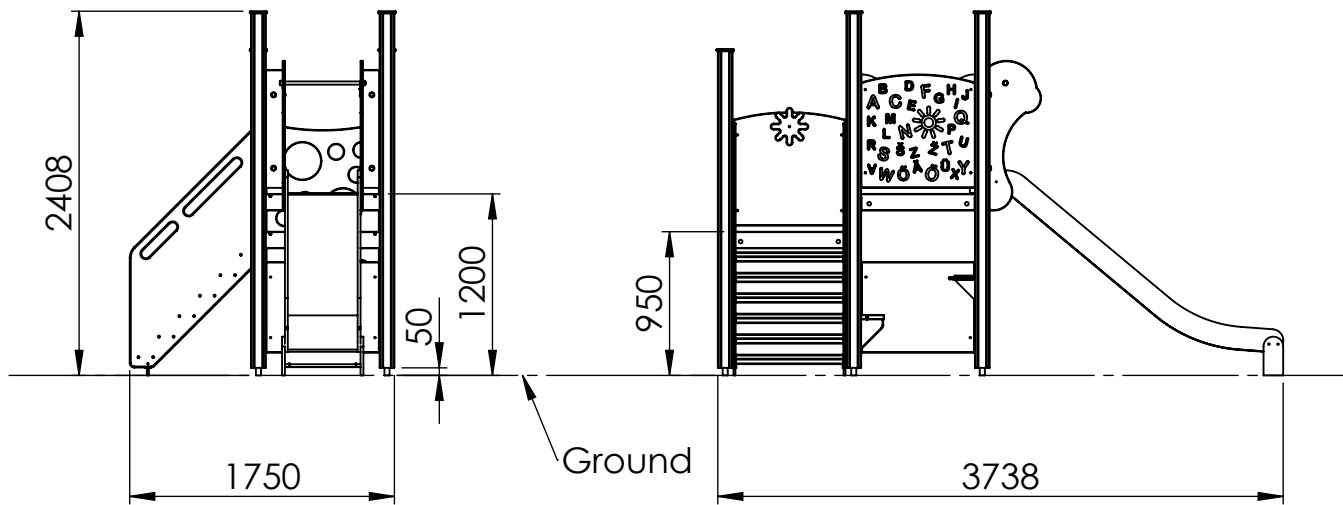
A

B

C

D

E



UNLESS OTHERWISE SPECIFIED:
 DIMENSIONS ARE IN MILLIMETERS
 WEIGHT ARE IN KILOGRAMM

PART NUMBER / DWG NO.:

LM200 MF

	NAME	SIGNATURE	DATE	REVISION
DRAWN	M.Rebase		26.05.2014	
APPV'D				

DESCRIPTION:

Slide LARS



Tiptaptap OÜ

Tiptaptap OÜ
 Veetorni 9,
 Jüri alevik, Rae vald,
 75301 Harjumaa

MATERIAL:

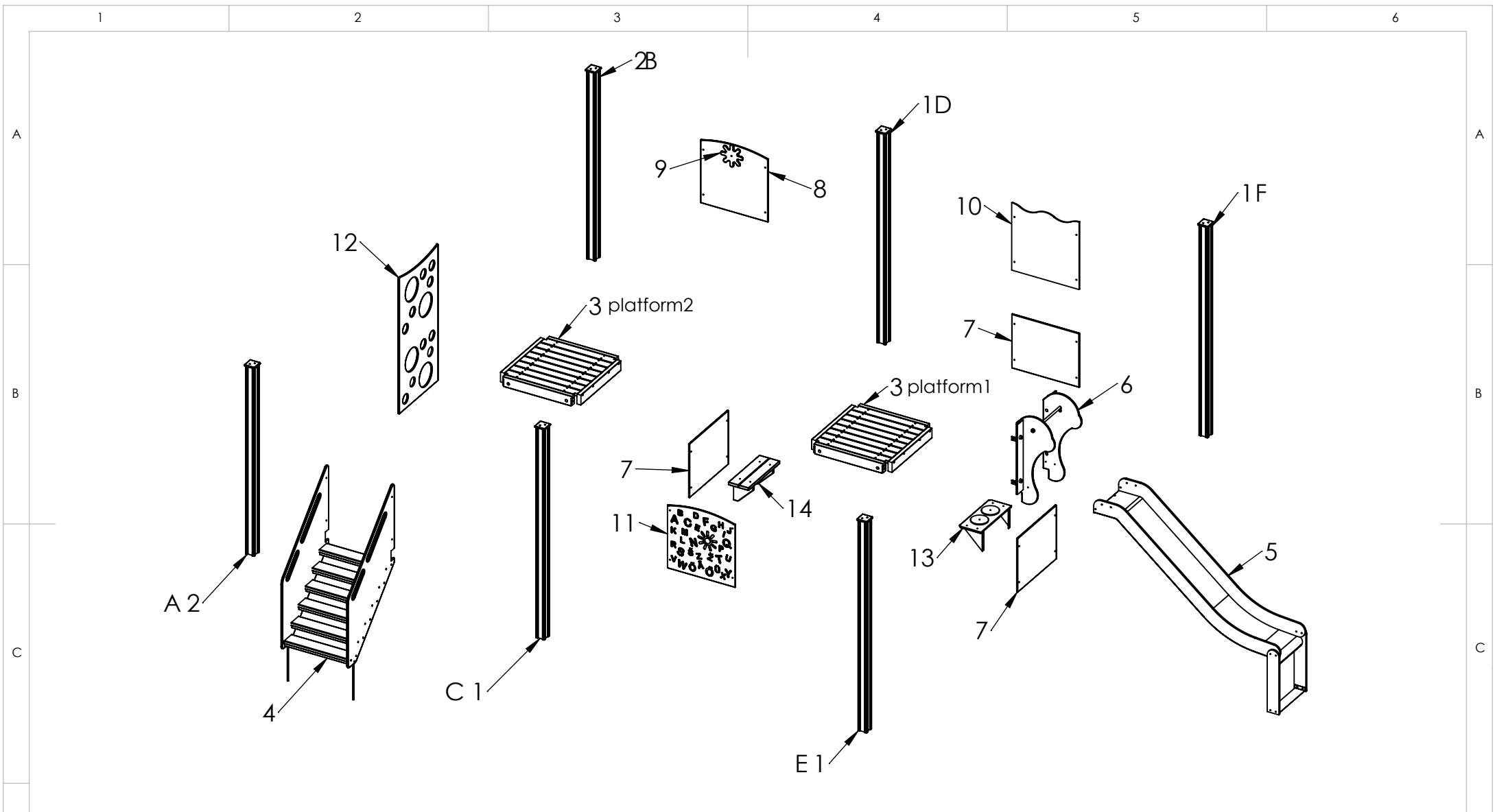
wood, metal, plastic

A4

WEIGHT:

SCALE: 1:25

SHEET 4 OF 15




UNLESS OTHERWISE SPECIFIED: DIMENSIONS ARE IN MILLIMETERS WEIGHT ARE IN KILOGRAMM					PART NUMBER / DWG NO.:	
					LM200 MF	
					DESCRIPTION:	
					Slide LARS	
					MATERIAL:	wood, metal, plastic
					WEIGHT:	SCALE: 1:50
					SHEET 5 OF 15	


Tiptap OÜ
 Tiptap OÜ
 Veetorni 9,
 Jüri alevik, Rae vald,
 75301 Harjumaa

	1	2	3	4
	ITEM NO.	PART NUMBER	Description	exploded/QTY.
A	1	post 98x98x2350	painted aluminium	4
	2	post 98x98x2100	painted aluminium	2
	3	Platform	laminated wood, metal	2
	4	Stairs_950 MF	PE plastic	1
B	5	slide h_1200	stainless steel, PE plastic	1
	6	slide guard block	metal, plastic	1
	7	panel 750x600	PE plastic	3
	8	panel 750x750	PE plastic	1
	9	captain wheel	PE plastic, metal	1
	10	panel 750x750	PE plastic	1
	11	panel 750x750 with letters	PE plastic	1
C	12	climbing wall h_750x1520	PE plastic	1
	13	playcorner-kitchen	PE plastic	1
	14	playcorner-bench	PE plastic	1

D				
E				

F	UNLESS OTHERWISE SPECIFIED: DIMENSIONS ARE IN MILLIMETERS WEIGHT ARE IN KILOGRAMM				PART NUMBER / DWG NO.:		LM200 MF	
		NAME	SIGNATURE	DATE	REVISION	DESCRIPTION:		
	DRAWN	M.Rebase		26.05.2014				
	APPV'D					MATERIAL:		A4
 Tiptiptap OÜ Tiptiptap OÜ Veetorni 9, Jüri alevik, Rae vald, 75301 Harjumaa				wood, metal, plastic		WEIGHT:		
				SCALE: 1:50		SHEET 6 OF 15		

A

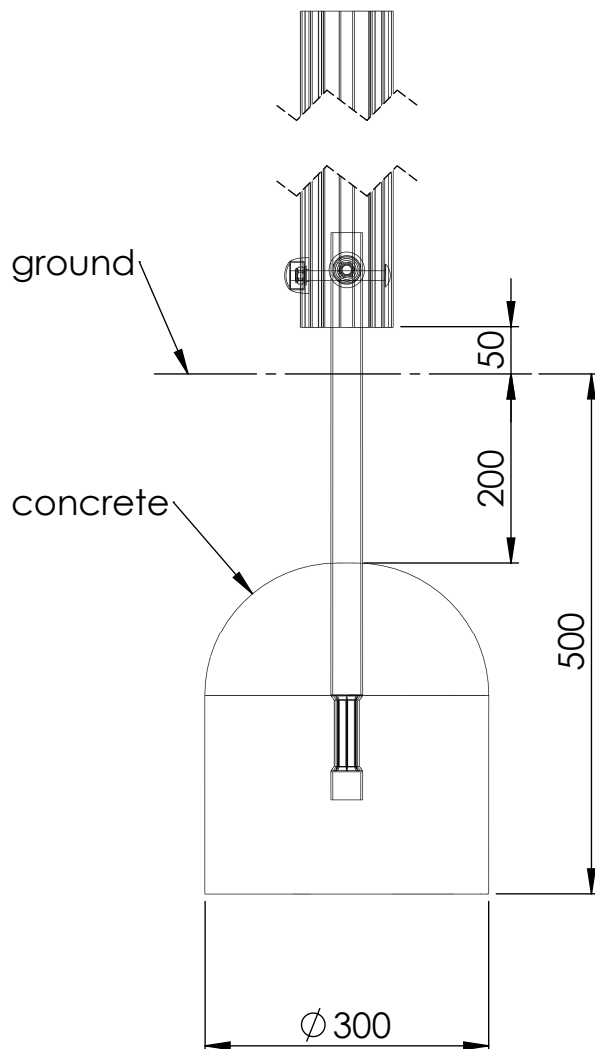
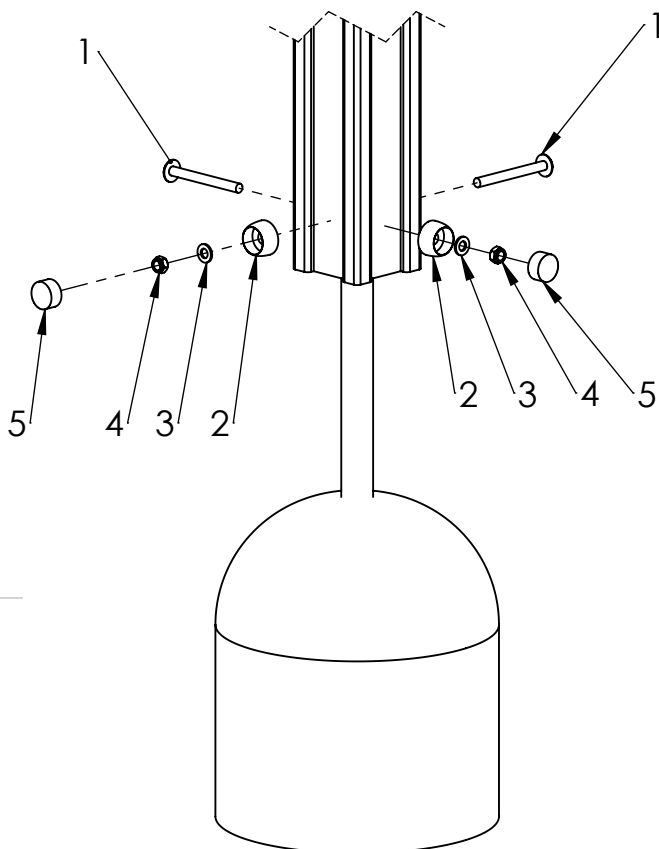
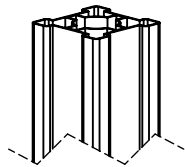
B

C

D

E

F



ITEM NO.	PART NUMBER
1	bolt DIN603 M10x100
2	nut cover M12
3	washer M10
4	nut DIN985 M10
5	nut cover cap M12

UNLESS OTHERWISE SPECIFIED:
DIMENSIONS ARE IN MILLIMETERS
WEIGHT ARE IN KILOGRAMM

	NAME	SIGNATURE	DATE	REVISION
DRAWN	M.Rebase		26.05.2014	
APPV'D				

PART NUMBER / DWG NO.:

LM200 MF

DESCRIPTION:

Slide LARS

MATERIAL:

wood, metal, plastic

A4

WEIGHT:

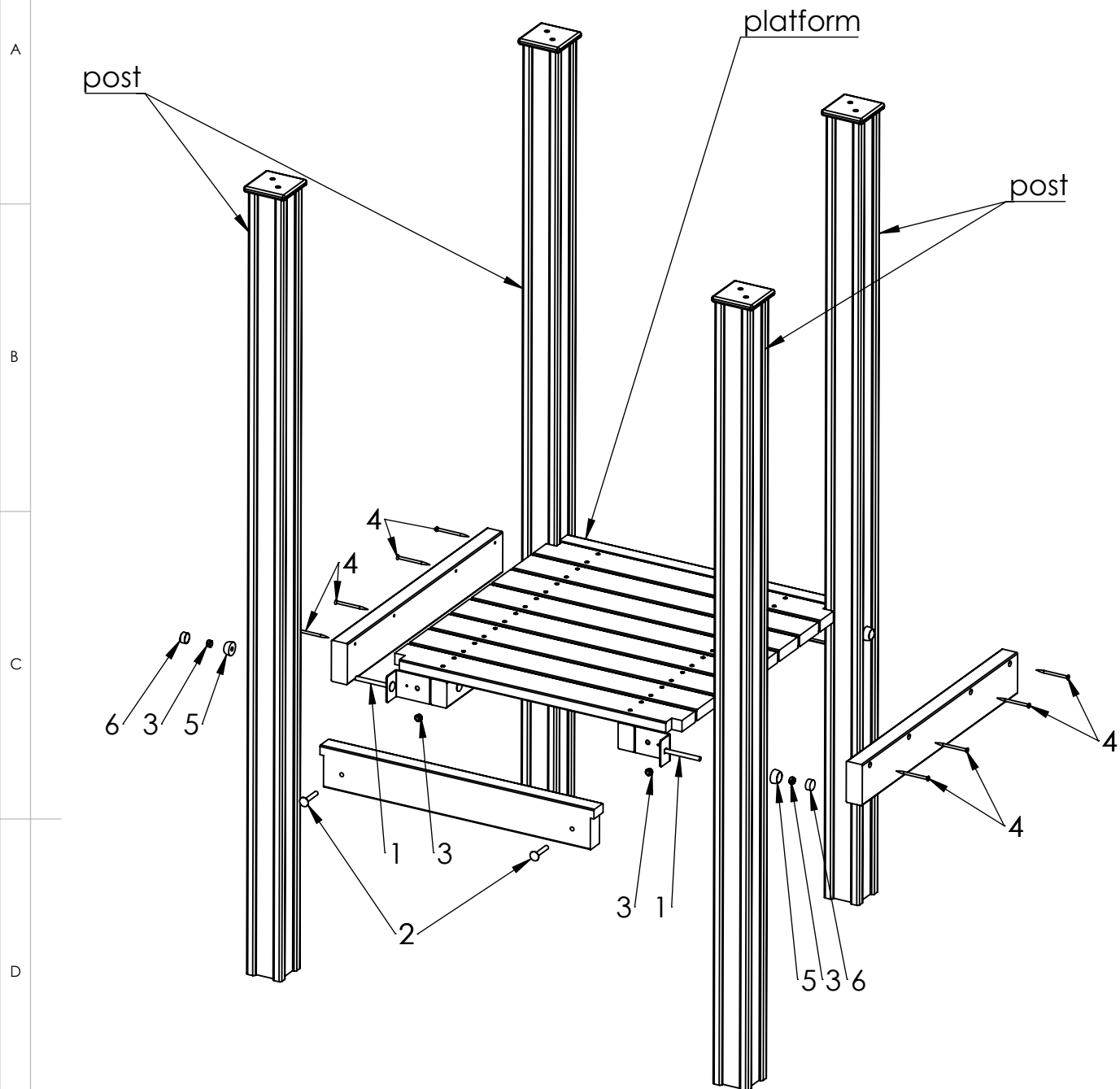
SCALE: 1:8

SHEET 7 OF 15



Tiptaptap OÜ

Tiptaptap OÜ
Veetorni 9,
Jüri alevik, Rae vald,
75301 Harjumaa



ITEM NO.	PART NUMBER
1	bolt DIN603 M10x100
2	bolt DIN603 M10x60
3	nut DIN985 M10
4	Woodscrew 6 x 90
5	nut cover M10
6	nut cover cap M10

UNLESS OTHERWISE SPECIFIED:
DIMENSIONS ARE IN MILLIMETERS
WEIGHT ARE IN KILOGRAMM

PART NUMBER / DWG NO.:

LM200 MF

	NAME	SIGNATURE	DATE	REVISION
DRAWN	M.Rebase		26.05.2014	
APPV'D				

DESCRIPTION:

Slide LARS
connecting platform to post

MATERIAL:

wood, metal, plastic

A4

WEIGHT:

SCALE: 1:15

SHEET 8 OF 15



Tiptiptap OÜ

Tiptiptap OÜ
Veetorni 9,
Jüri alevik, Rae vald,
75301 Harjumaa

A

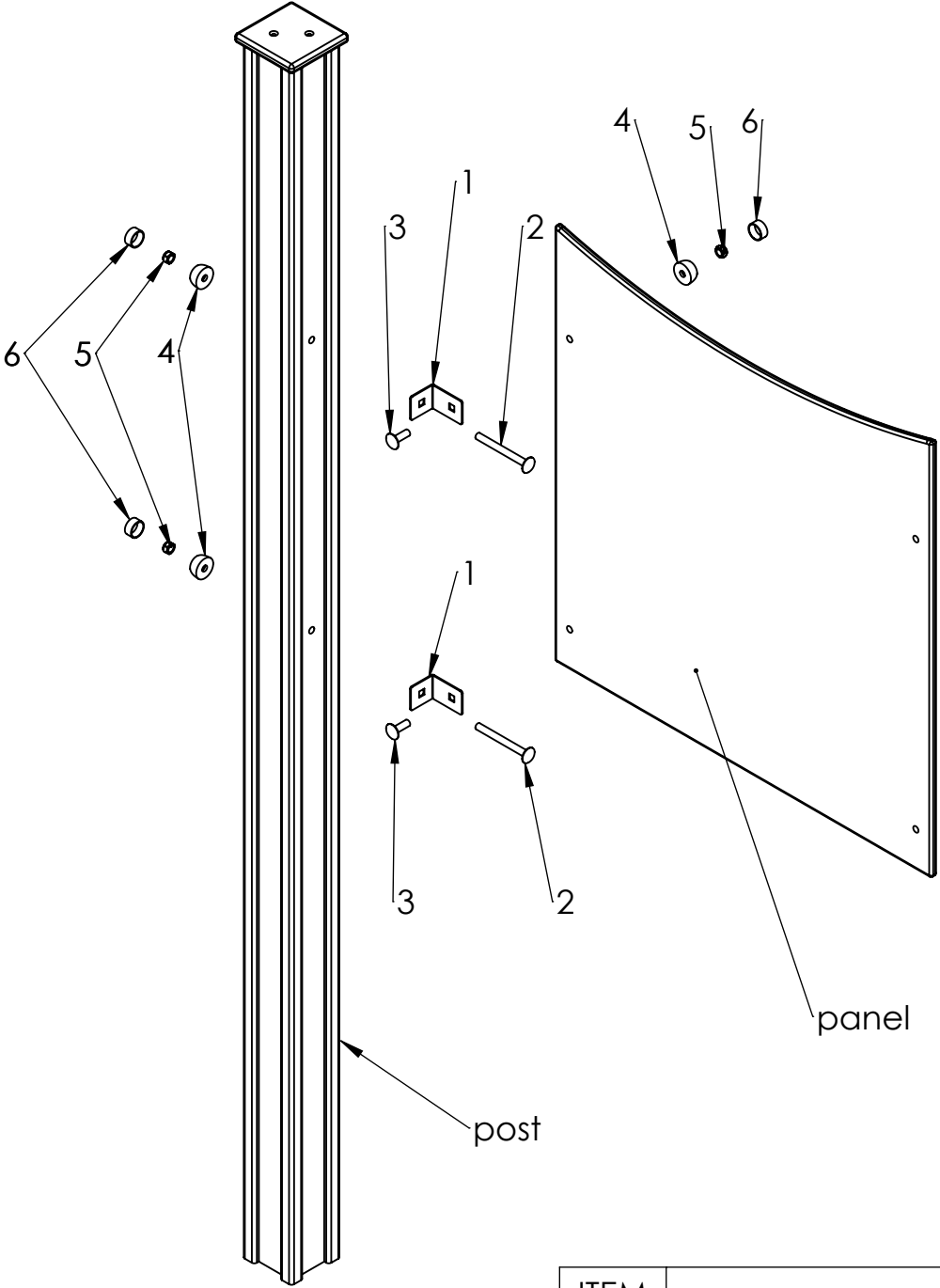
B

C

D

E

F



ITEM NO.	PART NUMBER
1	Corner 90°
2	bolt DIN603 M10x100
3	bolt DIN603 M10x30
4	nut cover M10
5	nut DIN985 M10
6	nut cover cap M10

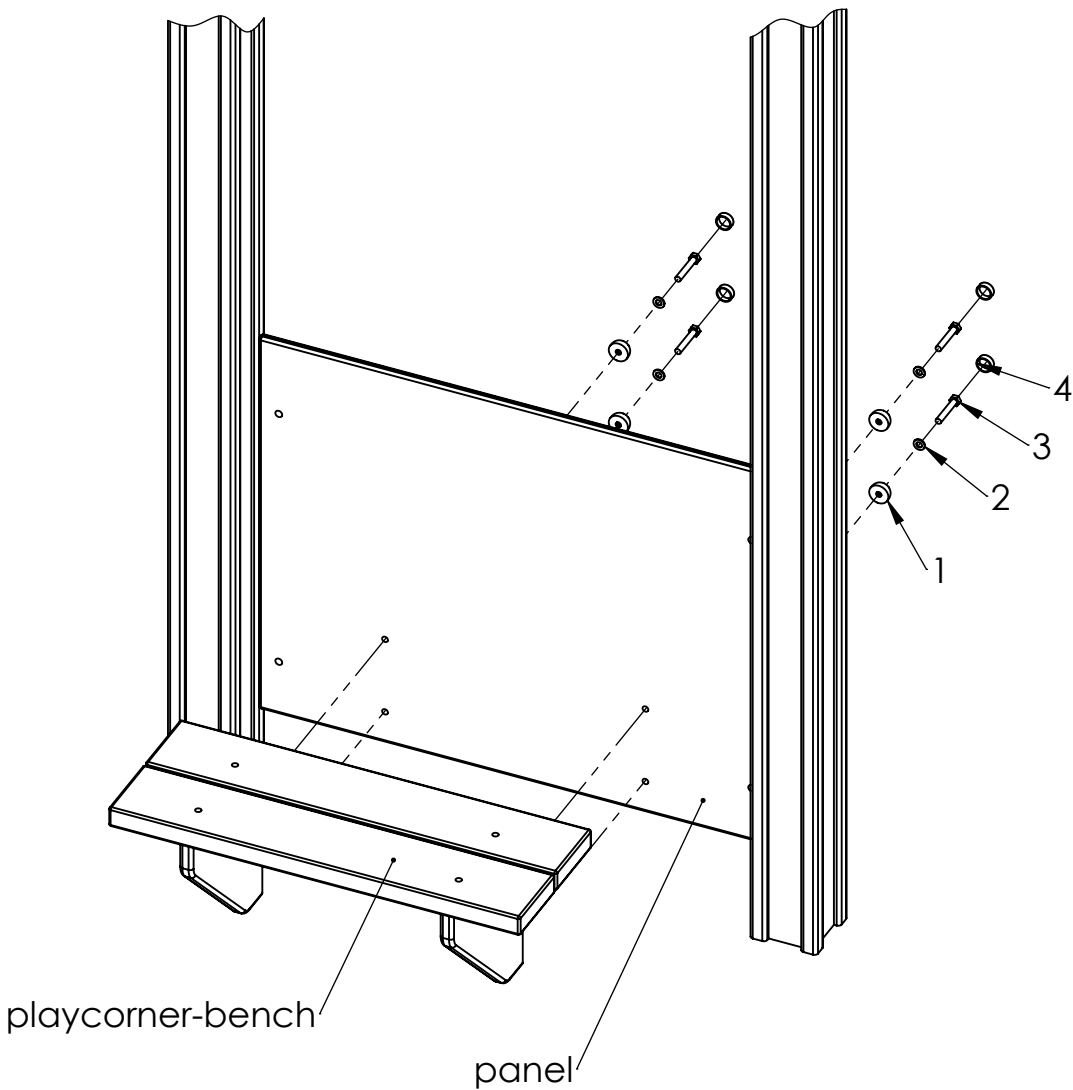
UNLESS OTHERWISE SPECIFIED: DIMENSIONS ARE IN MILLIMETERS WEIGHT ARE IN KILOGRAMM				
	NAME	SIGNATURE	DATE	REVISION
DRAWN	M.Rebase		26.05.2014	
APPV'D				

PART NUMBER / DWG NO.:		LM200 MF	
DESCRIPTION:			
Slide LARS connecting panel to post			
MATERIAL:		wood, metal, plastic	A4
WEIGHT:		SCALE: 1:10	SHEET 9 OF 15



Tiptaptap OÜ

Tiptaptap OÜ
Veetorni 9,
Jüri alevik, Rae vald,
75301 Harjumaa



ITEM NO.	PART NUMBER
1	nut cover M8
2	washer M8
3	bolt DIN933 M8x50
4	nut cover cap M8

UNLESS OTHERWISE SPECIFIED: DIMENSIONS ARE IN MILLIMETERS WEIGHT ARE IN KILOGRAMM				
	NAME	SIGNATURE	DATE	REVISION
DRAWN	M.Rebase		26.05.2014	
APPV'D				

PART NUMBER / DWG NO.:		LM200 MF	
DESCRIPTION:			
Slide LARS connecting playcorner-bench to panel			
MATERIAL:		wood, metal, plastic	A4
WEIGHT:		SCALE: 1:10	SHEET 10 OF 15



Tiptiptap OÜ
 Veetorni 9,
 Jüri alevik, Rae vald,
 75301 Harjumaa

A

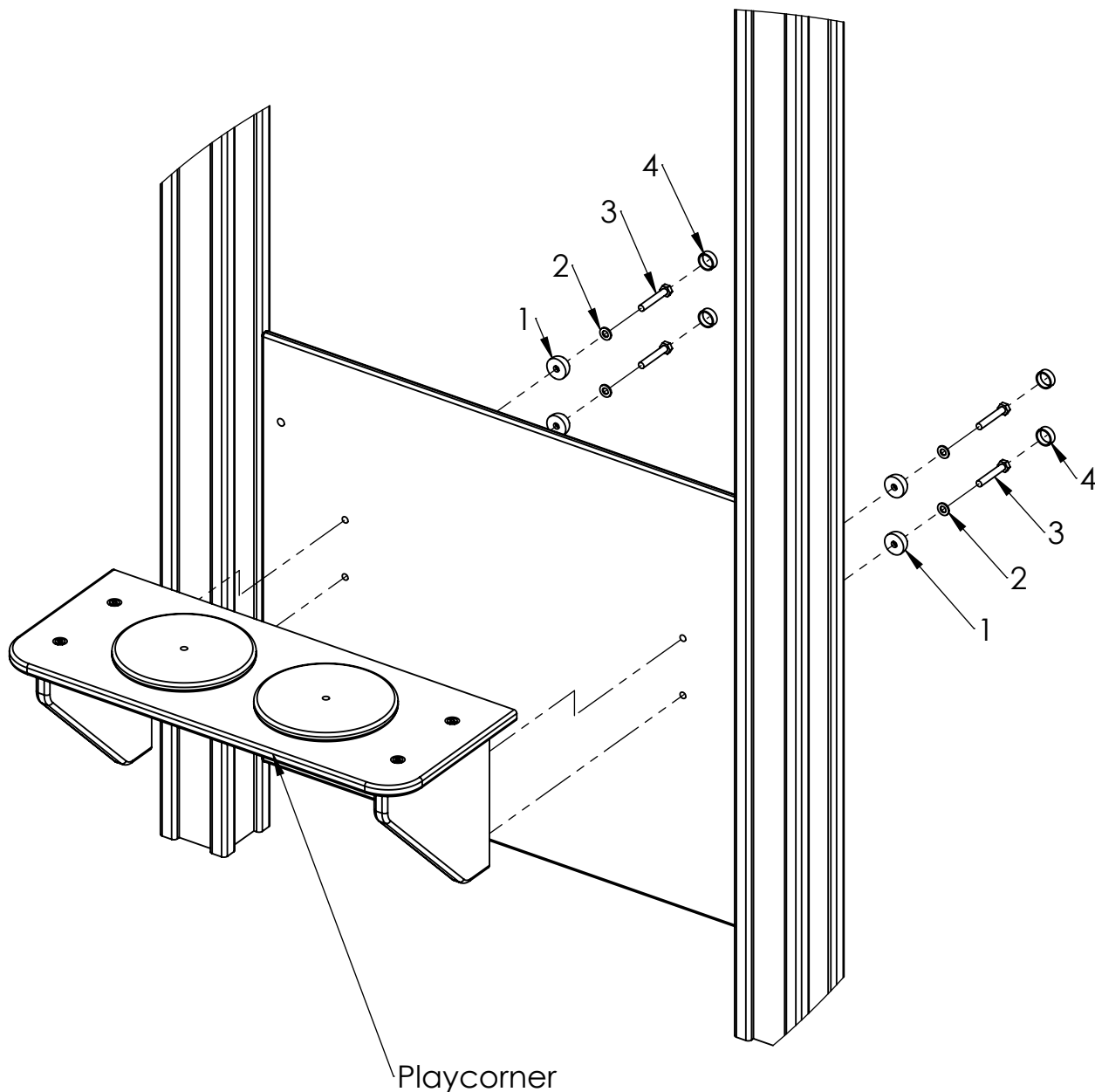
B

C

D

E

F



Playcorner

ITEM NO.	PART NUMBER
1	nut cover M8
2	washer M8
3	bolt DIN933 M8x50
4	nut cover cap M8

UNLESS OTHERWISE SPECIFIED:
DIMENSIONS ARE IN MILLIMETERS
WEIGHT ARE IN KILOGRAMM

PART NUMBER / DWG NO.:

LM200 MF

	NAME	SIGNATURE	DATE	REVISION
DRAWN	M.Rebase		10.08.2015	
APPV'D				

DESCRIPTION:

Slide LARS

MATERIAL:

wood, metal, plastic

A4

WEIGHT:

SCALE: 1:8

SHEET 11 OF 15



Tiptaptap OÜ

Tiptaptap OÜ
Veetorni 9,
Jüri alevik, Rae vald,
75301 Harjumaa

A

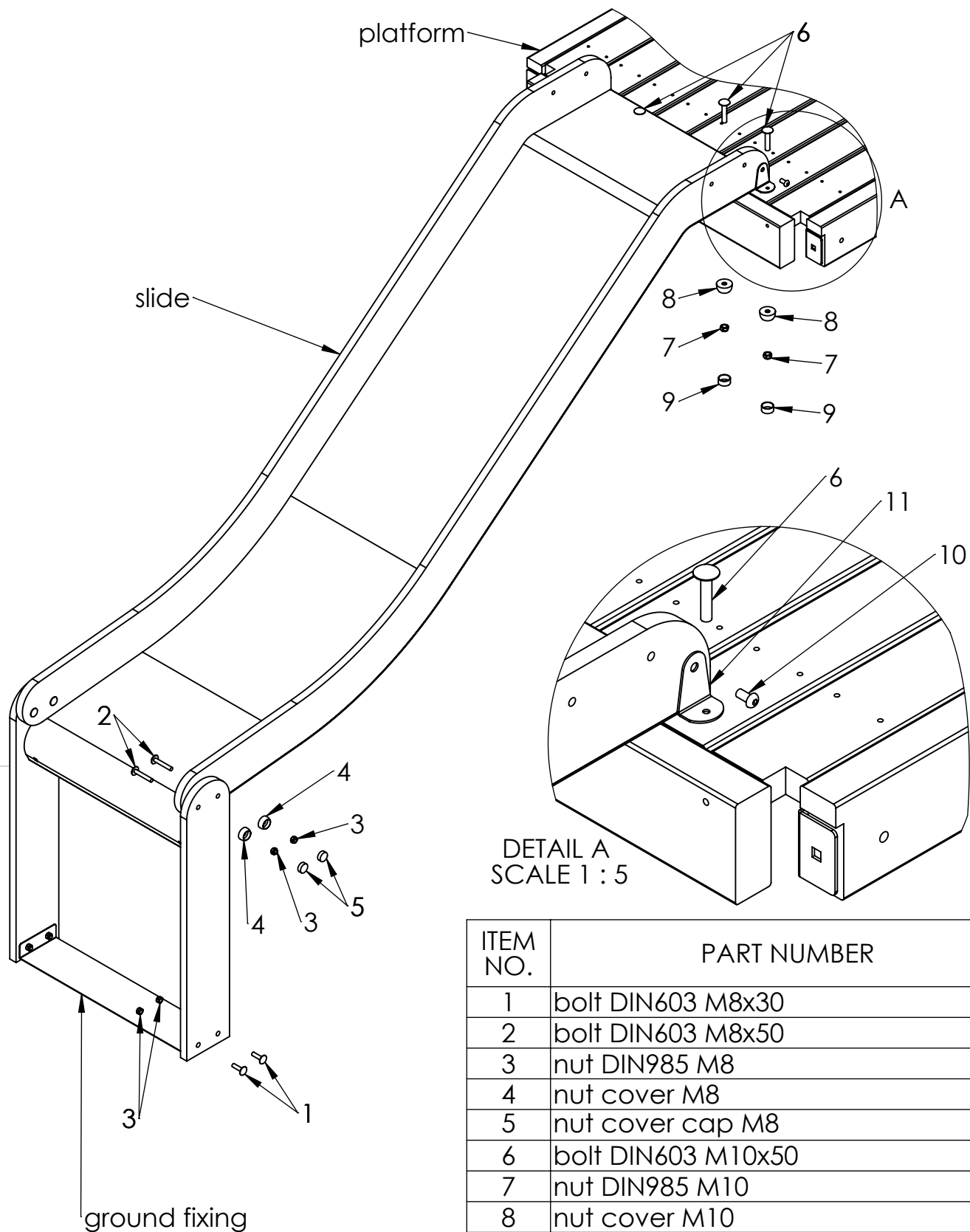
B

C

D

E

F



DETAIL A
SCALE 1 : 5

ITEM NO.	PART NUMBER
1	bolt DIN603 M8x30
2	bolt DIN603 M8x50
3	nut DIN985 M8
4	nut cover M8
5	nut cover cap M8
6	bolt DIN603 M10x50
7	nut DIN985 M10
8	nut cover M10
9	nut cover cap M10
10	metal screw DIN 7380 M8x16
11	corner 58x30

UNLESS OTHERWISE SPECIFIED:
DIMENSIONS ARE IN MILLIMETERS
WEIGHT ARE IN KILOGRAMM

	NAME	SIGNATURE	DATE	REVISION
DRAWN	M.Rebase		26.05.2014	
APPV'D				

PART NUMBER / DWG NO.:

LM200 MF

DESCRIPTION:

Slide LARS
connecting slide to platform

MATERIAL:

wood, metal, plastic

A4

WEIGHT:

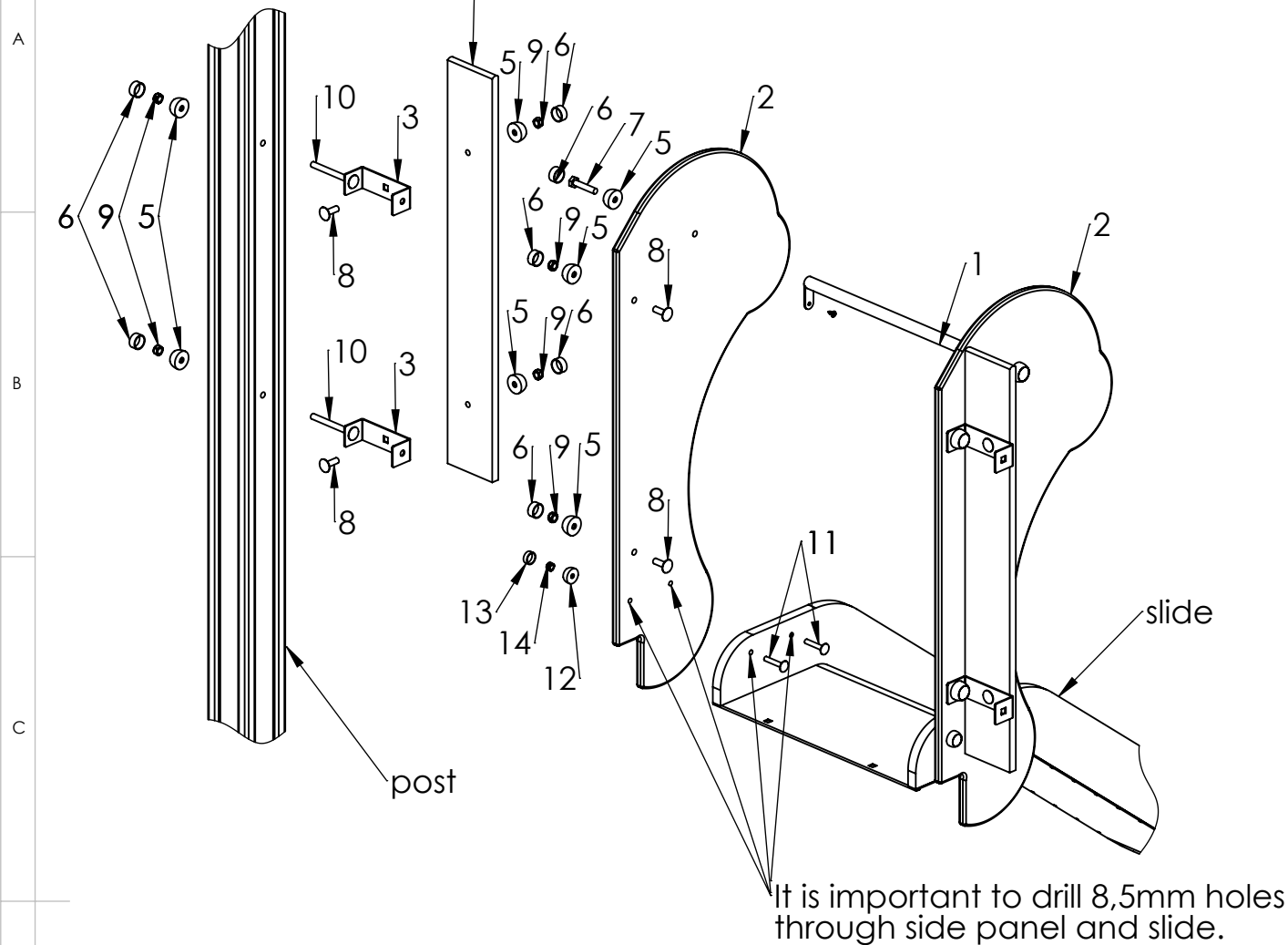
SCALE: 1:12

SHEET 12 OF 15



Tiptaptap OÜ

Tiptaptap OÜ
Veetorni 9,
Jüri alevik, Rae vald,
75301 Harjumaa



ITEM NO.	PART NUMBER
1	slide guardrail 2015
2	slide side panel
3	slide side panel fixing 40x123
4	side panel 110x780
5	nut cover M10
6	nut cover cap M10
7	bolt DIN931 M10x50
8	bolt DIN603 M10x30
9	nut DIN985 M10
10	bolt DIN603 M10x100
11	bolt DIN603 M8x45
12	nut cover M8
13	nut cover cap M8
14	nut DIN985 M8
15	wood screw 4,8x13

UNLESS OTHERWISE SPECIFIED:
DIMENSIONS ARE IN MILLIMETERS
WEIGHT ARE IN KILOGRAMM

PART NUMBER / DWG NO.:

LM200 MF

	NAME	SIGNATURE	DATE	REVISION
DRAWN	M.Rebase		26.05.2014	
APPV'D				

DESCRIPTION:

Slide LARS
connecting slide guard block to post

MATERIAL:

wood, metal, plastic

A4

WEIGHT:

SCALE: 1:12

SHEET 13 OF 15



Tiptaptap OÜ

Tiptaptap OÜ
Veetorni 9,
Jüri alevik, Rae vald,
75301 Harjumaa

A

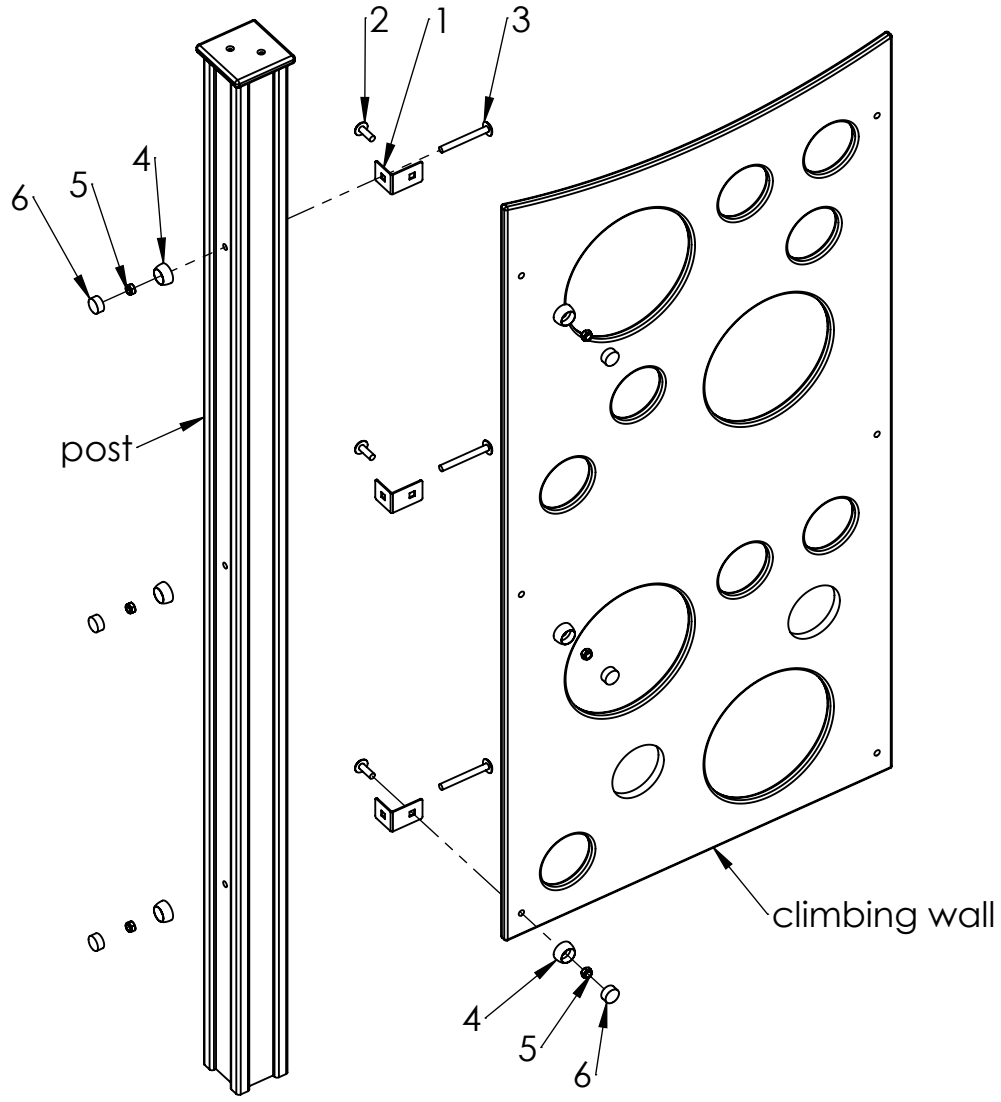
B

C

D

E

F



ITEM NO.	PART NUMBER
1	Corner 90°
2	bolt DIN603 M10x30
3	bolt DIN603 M10x90
4	nut cover M10
5	nut DIN985 M10
6	nut cover cap M10

UNLESS OTHERWISE SPECIFIED: DIMENSIONS ARE IN MILLIMETERS WEIGHT ARE IN KILOGRAMM				
	NAME	SIGNATURE	DATE	REVISION
DRAWN	M.Rebase		26.05.2014	
APPV'D				

PART NUMBER / DWG NO.: **LM200 MF**

DESCRIPTION:
**Slide LARS
connecting climbing wall to post**



Tiptap OÜ

Tiptap OÜ
Veetorni 9,
Jüri alevik, Rae vald,
75301 Harjumaa

MATERIAL:	wood, metal, plastic	A4
WEIGHT:	SCALE: 1:12	SHEET 14 OF 15

A

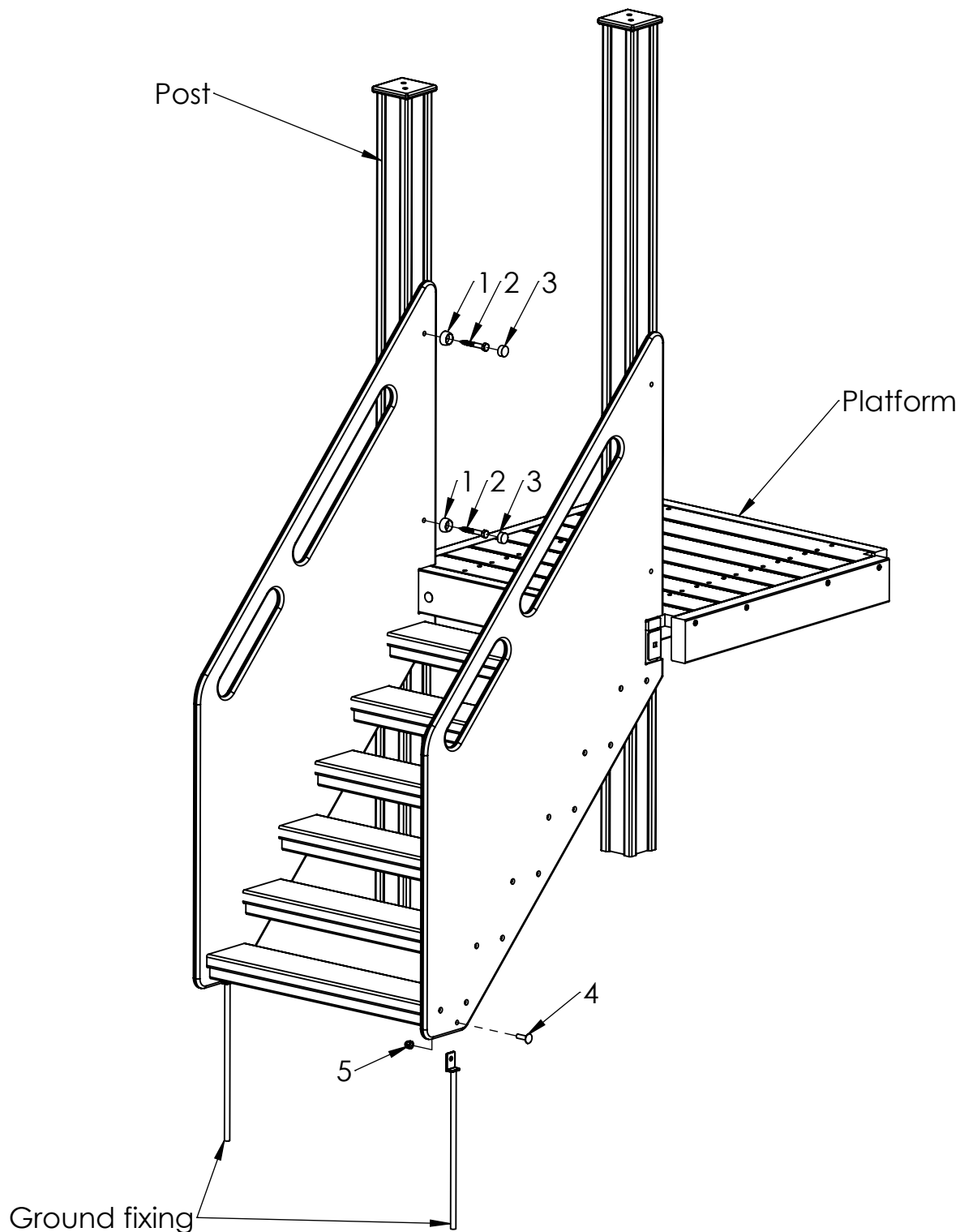
B

C

D

E

F



ITEM NO.	PART NUMBER
1	nut cover M10
2	wood screw DIN571 10x80
3	nut cover cap M10
4	bolt DIN603 M10x35
5	domed cap nut DIN1587 M10

UNLESS OTHERWISE SPECIFIED:
DIMENSIONS ARE IN MILLIMETERS
WEIGHT ARE IN KILOGRAMM

	NAME	SIGNATURE	DATE	REVISION
DRAWN	M.Rebase		10.08.2015	
APPV'D				

PART NUMBER / DWG NO.:

LM200 MF

DESCRIPTION:

Slide LARS

MATERIAL:

wood, metal, plastic

A4

WEIGHT:

SCALE: 1:15

SHEET 15 OF 15



Tiptap OÜ

Tiptap OÜ
Veetorni 9,
Jüri alevik, Rae vald,
75301 Harjumaa