

A
B
C
D
E
F

UNLESS OTHERWISE SPECIFIED: DIMENSIONS ARE IN MILLIMETERS WEIGHT ARE IN KILOGRAMM				
	NAME	SIGNATURE	DATE	REVISION
DRAWN	M.Rebase		09.11.2015	
APPV'D				

PART NUMBER / DWG NO.:
LM105

DESCRIPTION:
Play Centre PETERI


Tiptaptap OÜ
 Veetorni 9,
 Jüri alevik, Rae vald,
 75301 Harjumaa

MATERIAL:	wood, metal, plastic	A4
WEIGHT:	SCALE: 1:45	SHEET 1 OF 19

A

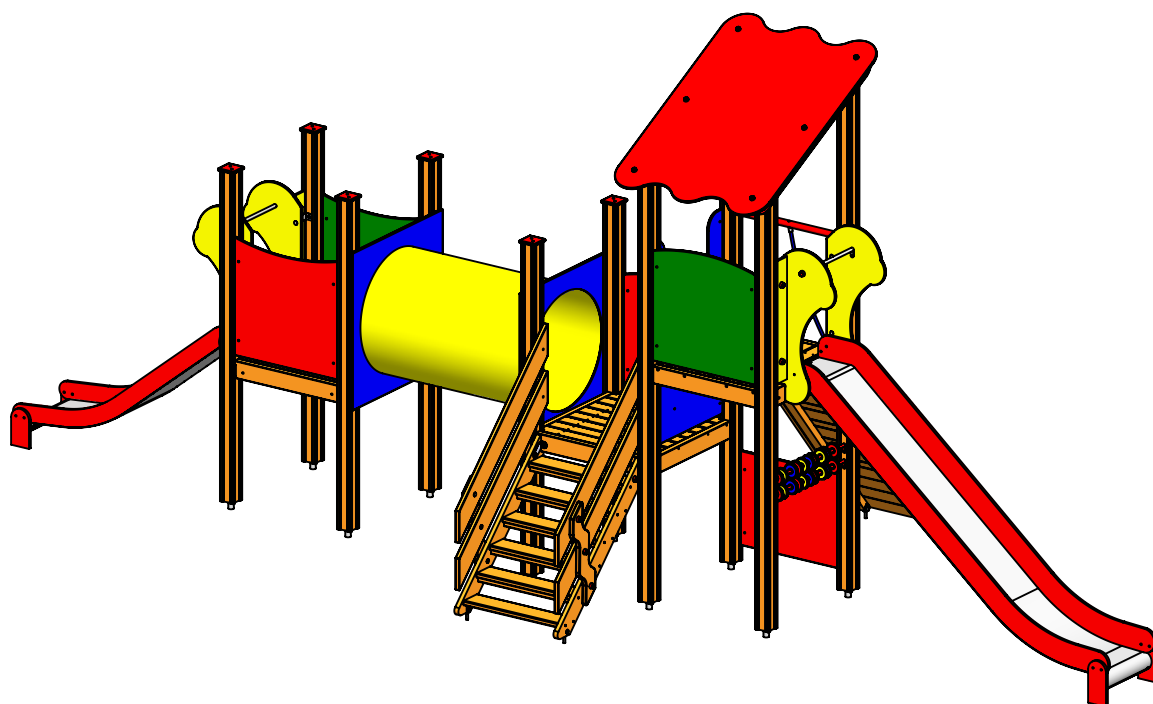
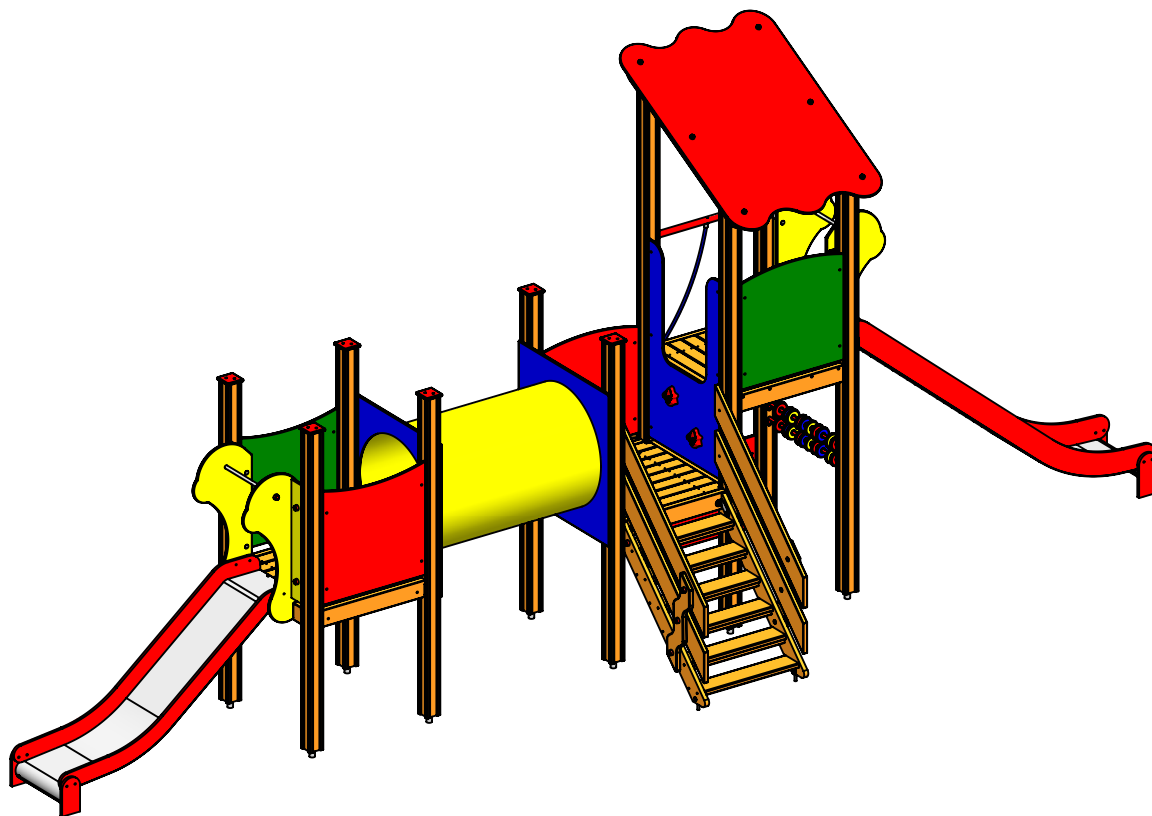
B

C

D

E

F



UNLESS OTHERWISE SPECIFIED:
DIMENSIONS ARE IN MILLIMETERS
WEIGHT ARE IN KILOGRAMM

	NAME	SIGNATURE	DATE	REVISION
DRAWN	M.Rebase		09.11.2015	
APPV'D				

PART NUMBER / DWG NO.:

LM105

DESCRIPTION:

Play Centre PETERI

MATERIAL:

wood, metal, plastic

A4

WEIGHT:

SCALE: 1:45

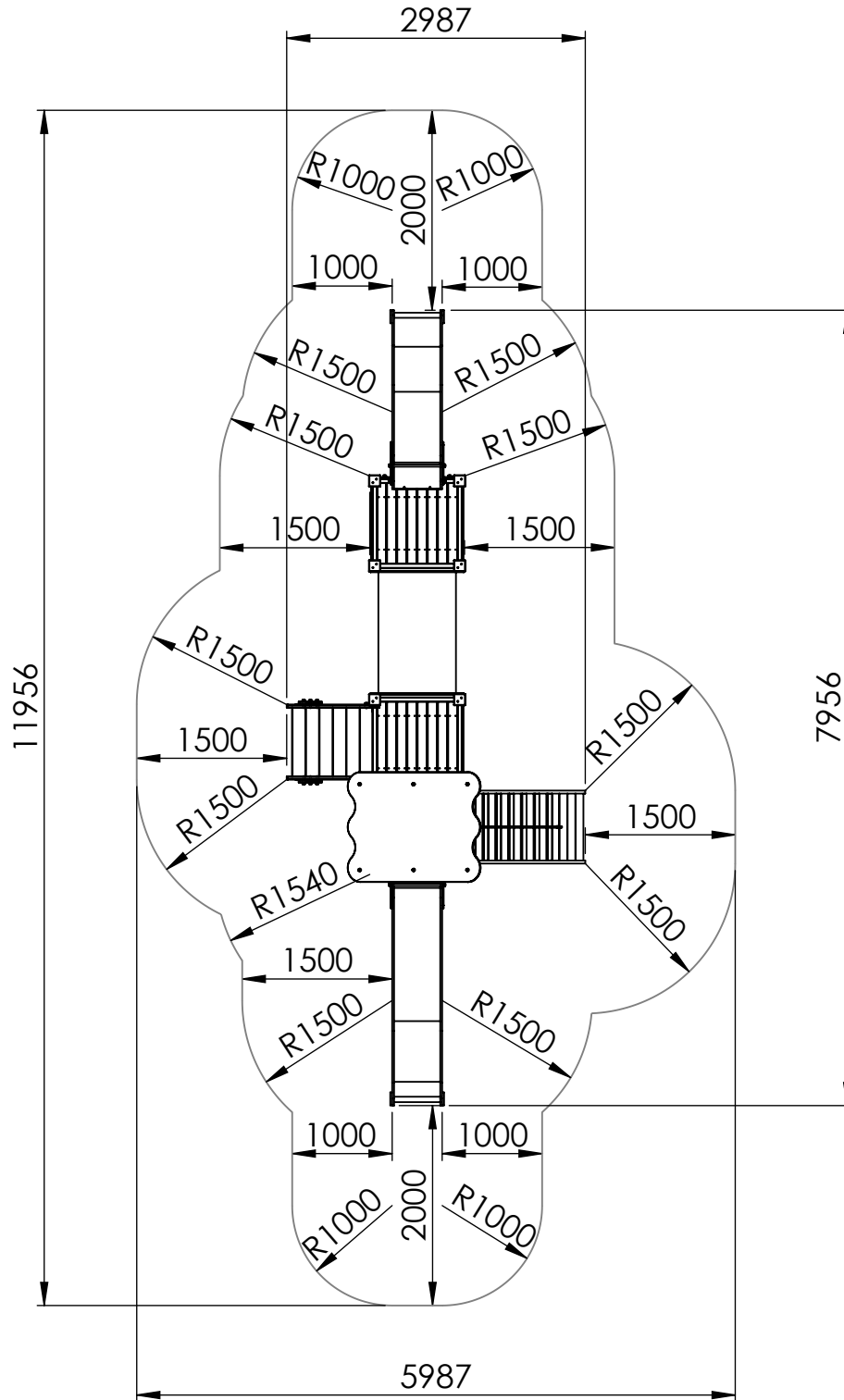
SHEET 2 OF 19



Tiptaptap OÜ

Tiptaptap OÜ
Veetorni 9,
Jüri alevik, Rae vald,
75301 Harjumaa

safety area



UNLESS OTHERWISE SPECIFIED:
DIMENSIONS ARE IN MILLIMETERS
WEIGHT ARE IN KILOGRAMM

PART NUMBER / DWG NO.:

LM105

	NAME	SIGNATURE	DATE	REVISION
DRAWN	M.Rebase		09.11.2015	
APPV'D				

DESCRIPTION:

Play Centre PETERI



Tiptap OÜ

Tiptap OÜ
Veetorni 9,
Jüri alevik, Rae vald,
75301 Harjumaa

MATERIAL:

wood, metal, plastic

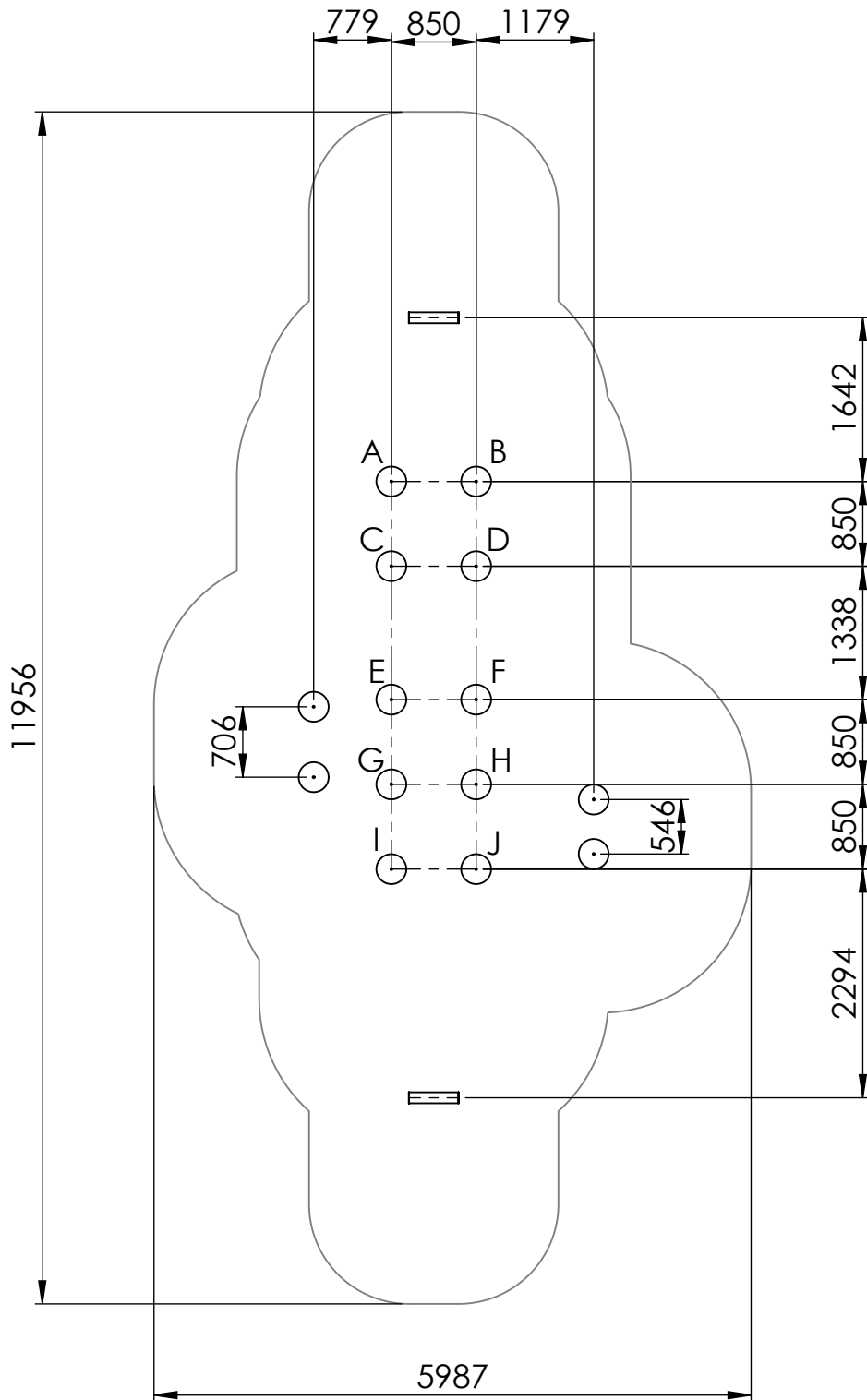
A4

WEIGHT:

SCALE: 1:70

SHEET 3 OF 19

foundation



UNLESS OTHERWISE SPECIFIED:
DIMENSIONS ARE IN MILLIMETERS
WEIGHT ARE IN KILOGRAMM

PART NUMBER / DWG NO.:

LM105

	NAME	SIGNATURE	DATE	REVISION
DRAWN	M.Rebase		09.11.2015	
APPV'D				

DESCRIPTION:

Play Centre PETERI



Tiptap OÜ

Tiptap OÜ
Veetorni 9,
Jüri alevik, Rae vald,
75301 Harjumaa

MATERIAL:

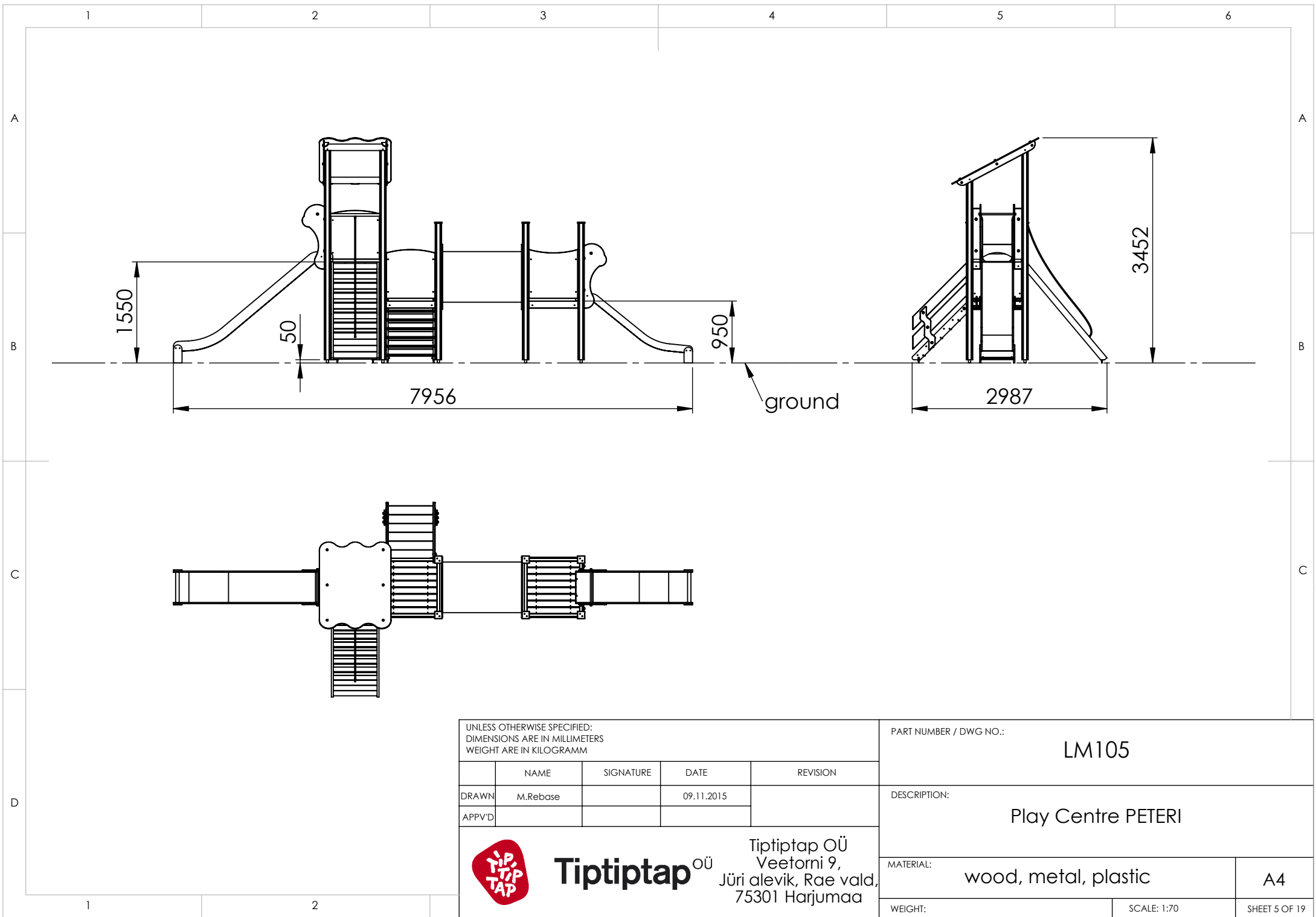
wood, metal, plastic

A4

WEIGHT:

SCALE: 1:70

SHEET 4 OF 19



UNLESS OTHERWISE SPECIFIED:
 DIMENSIONS ARE IN MILLIMETERS
 WEIGHT ARE IN KILOGRAMM

	NAME	SIGNATURE	DATE	REVISION
DRAWN	M.Rebase		09.11.2015	
APPV'D				

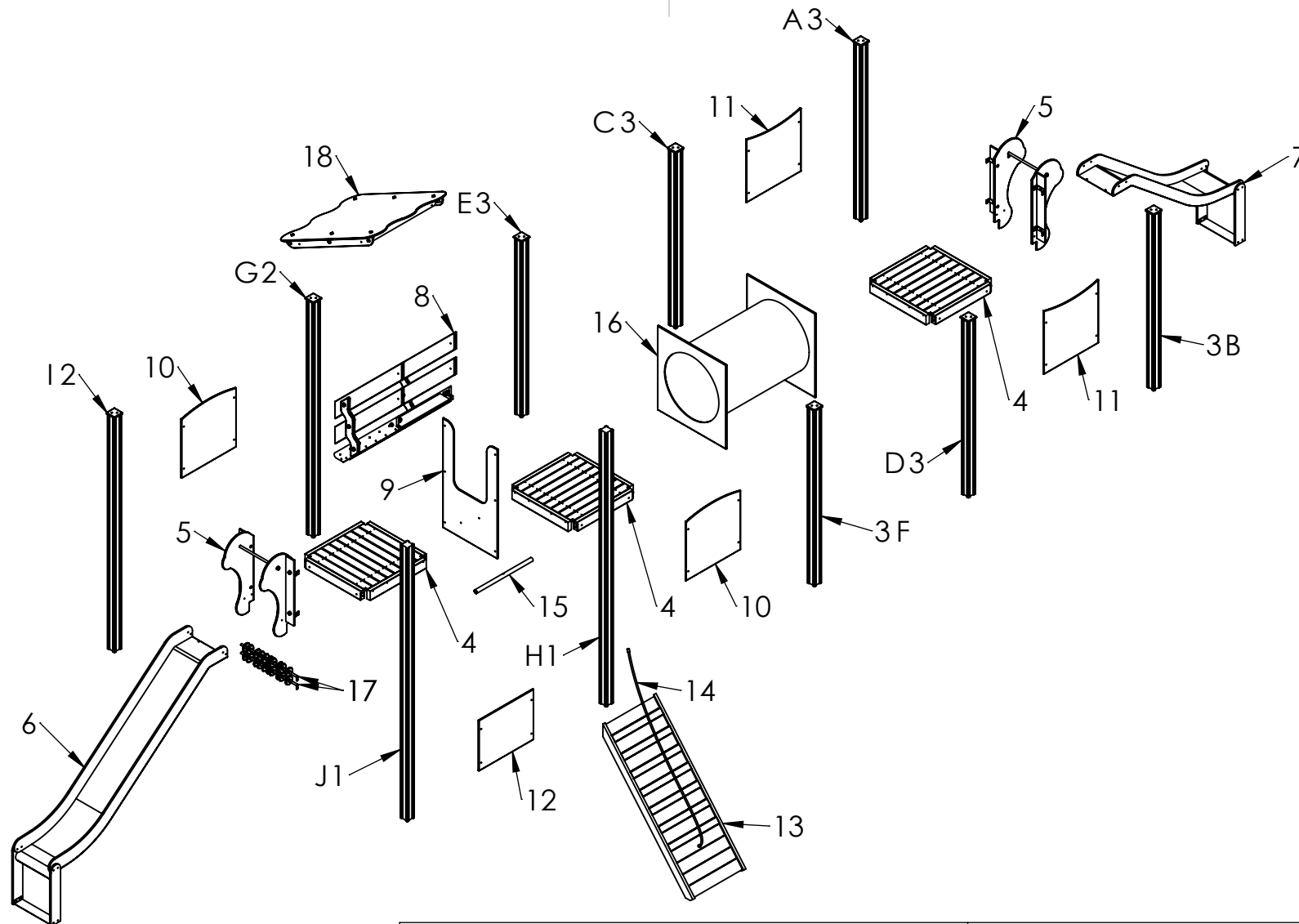

Tiptap OÜ
 Tiptap OÜ
 Veetorni 9,
 Jüri alevik, Rae vald,
 75301 Harjumaa

PART NUMBER / DWG NO.: **LM105**

DESCRIPTION: **Play Centre PETERI**

MATERIAL: **wood, metal, plastic** A4

WEIGHT: SCALE: 1:70 SHEET 5 OF 19



UNLESS OTHERWISE SPECIFIED:
 DIMENSIONS ARE IN MILLIMETERS
 WEIGHT ARE IN KILOGRAMM

PART NUMBER / DWG NO.:
LM105

	NAME	SIGNATURE	DATE	REVISION
DRAWN	M.Rebase		09.11.2015	
APPV'D				

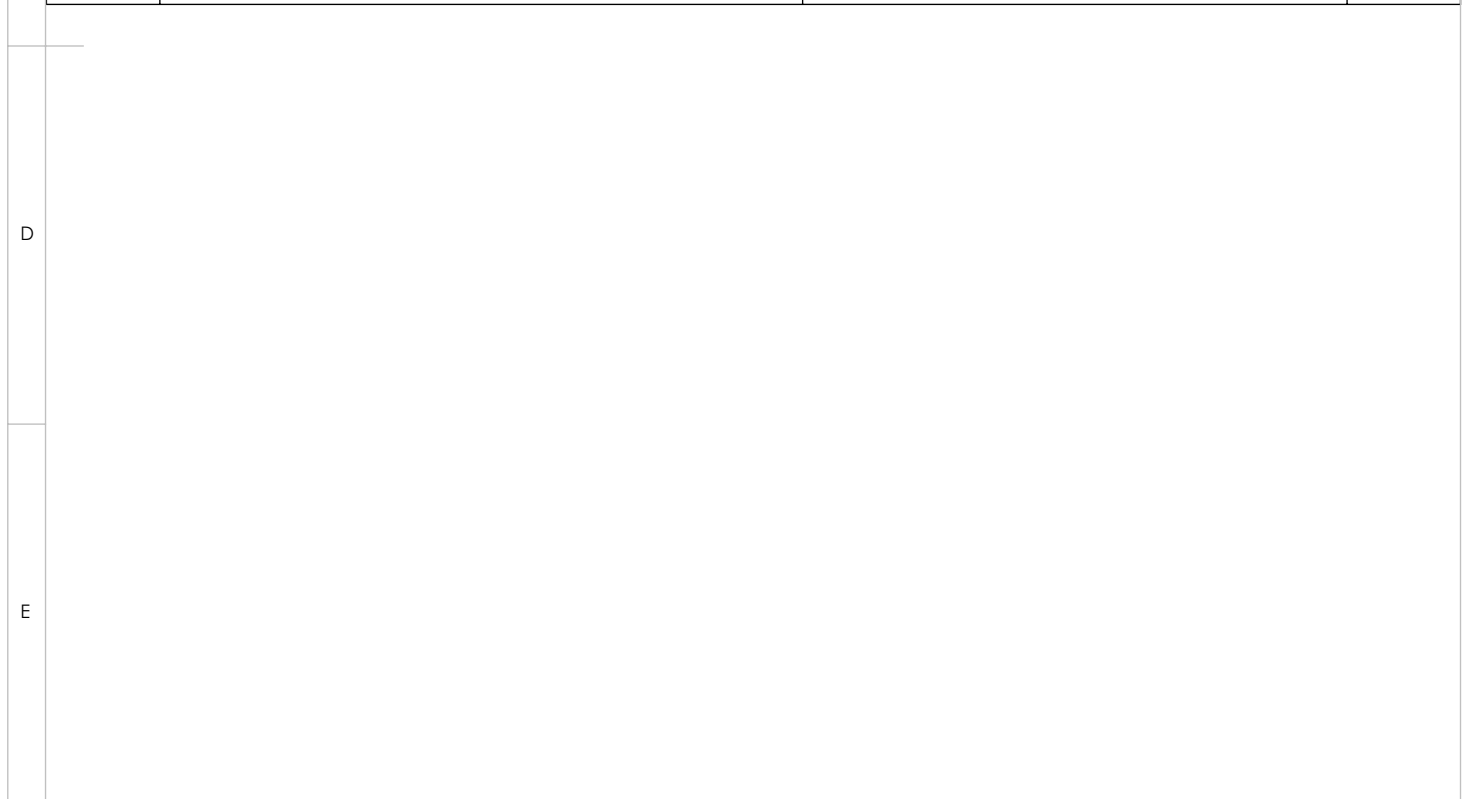
DESCRIPTION:
Play Centre PETERI



Tiptaptap OÜ
 Tiptaptap OÜ
 Veetorni 9,
 Jüri alevik, Rae vald,
 75301 Harjumaa

MATERIAL:	wood, metal, plastic	A4
WEIGHT:		SCALE: 1:60
		SHEET 6 OF 19

ITEM NO.	PART NUMBER	DESCRIPTION	QTY.
1	post 98x98x3250	laminated wood	2
2	post 98x98x2800	laminated wood	2
3	post 98x98x2100	laminated wood	6
4	platform	laminated wood, metal	3
5	slide guard block	plywood, metal, plastic	2
6	slide h_1550	stainless steel, PE plastic	1
7	slide h_950	stainless steel, PE plastic	1
8	stairs	laminated wood	1
9	climbing panel	plywood	1
10	panel 750x750	plywood	2
11	panel 750x750	plywood	2
12	panel 750x600	plywood	1
13	climbing ramp h_1500	laminated wood	1
14	rope Ø16x1500	PP covered steel wire	1
15	guardrail Ø40x770 with 1 hole	painted steel	1
16	tube with fixing panels, d.745	PE plastic	1
17	counting rings	painted steel, PE plastic	2
18	roof inclined	plywood	1



UNLESS OTHERWISE SPECIFIED: DIMENSIONS ARE IN MILLIMETERS WEIGHT ARE IN KILOGRAMM				
	NAME	SIGNATURE	DATE	REVISION
DRAWN	M.Rebase		09.11.2015	
APPV'D				

PART NUMBER / DWG NO.:	LM105
DESCRIPTION:	Play Centre PETERI



Tiptiptap OÜ
 Veetorni 9,
 Jüri alevik, Rae vald,
 75301 Harjumaa

MATERIAL:	wood, metal, plastic	A4
WEIGHT:		SCALE: 1:60
		SHEET 7 OF 19

A

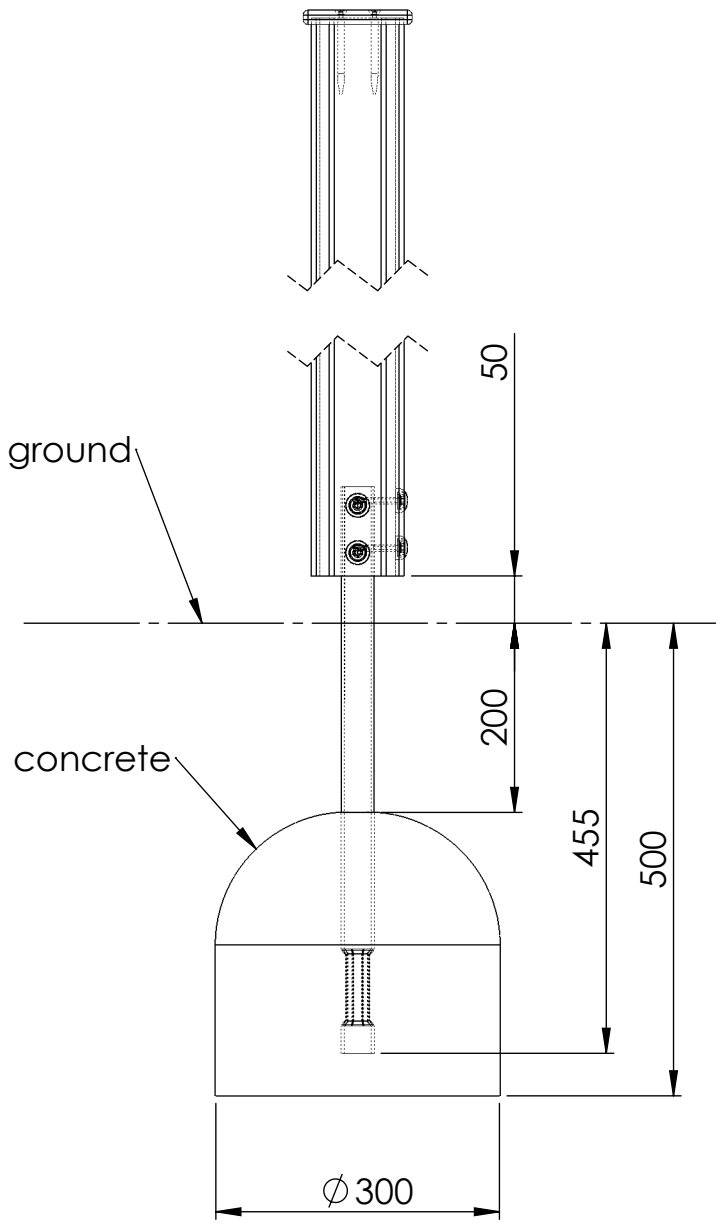
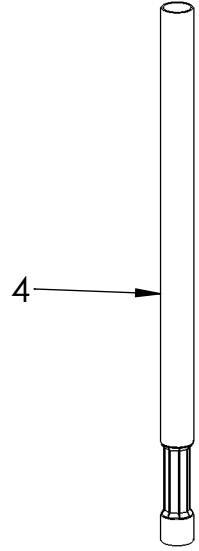
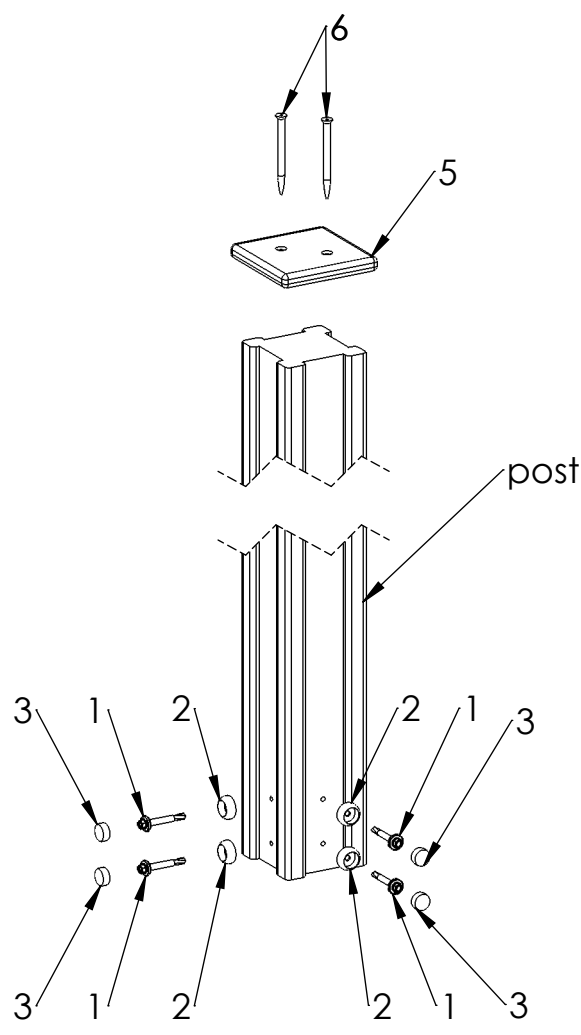
B

C

D

E

F



ITEM NO.	PART NUMBER
1	screw DIN7504K 5,5x50
2	nut cover M6
3	nut cover cap M6
4	metal ground fixing L_600
5	plastic cap 115x115
6	woodscrew 6 x 90

UNLESS OTHERWISE SPECIFIED:
 DIMENSIONS ARE IN MILLIMETERS
 WEIGHT ARE IN KILOGRAMM

	NAME	SIGNATURE	DATE	REVISION
DRAWN	M.Rebase		09.11.2015	
APPV'D				

PART NUMBER / DWG NO.:
LM105

DESCRIPTION:
**Play Centre PETERI
 connecting metal ground fixing to post**



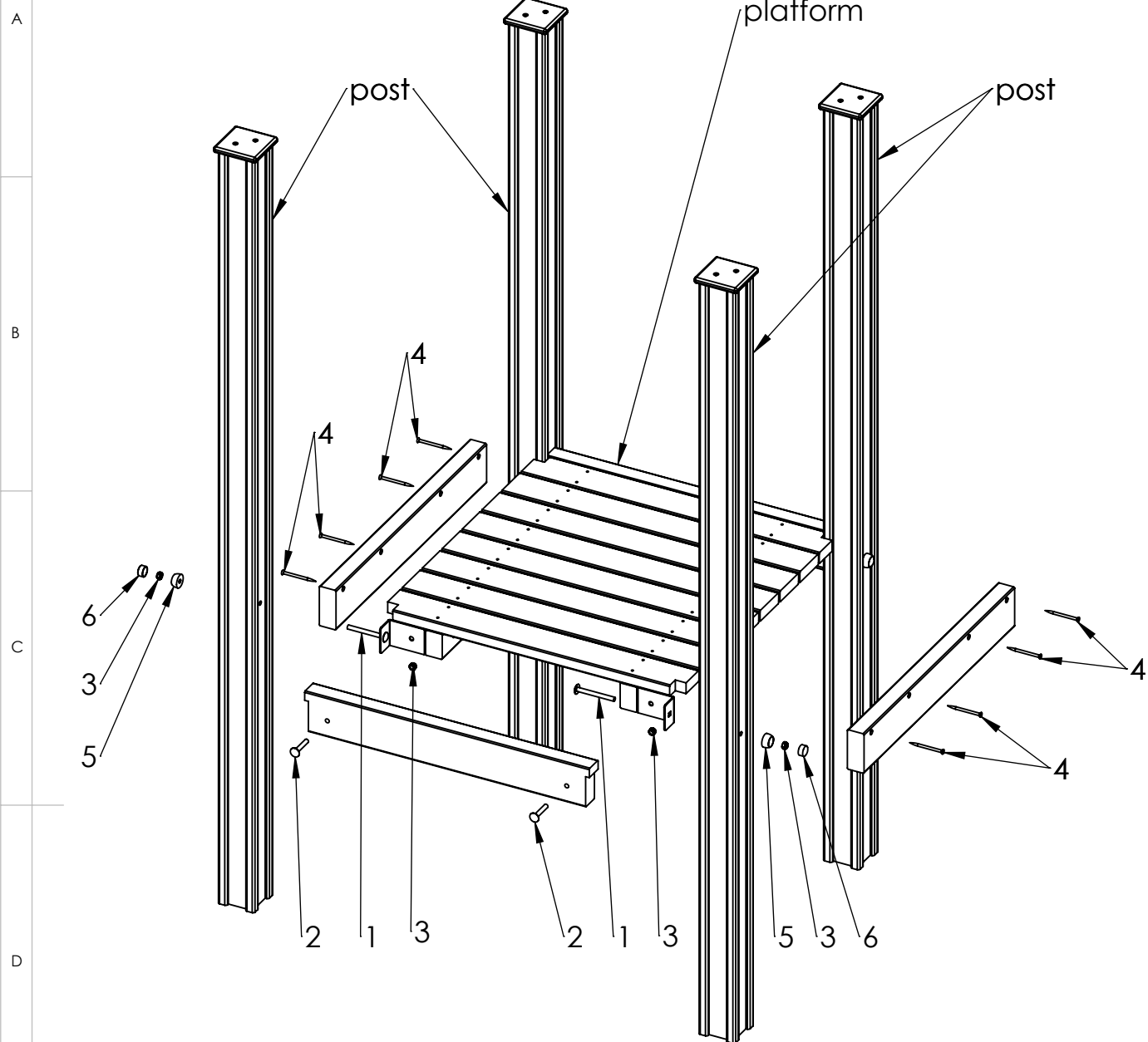
Tiptaptap OÜ

Tiptaptap OÜ
 Veetorni 9,
 Jüri alevik, Rae vald,
 75301 Harjumaa

MATERIAL: wood, metal, plastic

A4

WEIGHT: SCALE: 1:8 SHEET 8 OF 19



E

ITEM NO.	PART NUMBER
1	bolt DIN603 M10x100
2	bolt DIN603 M10x60
3	nut DIN985 M10
4	woodscrew 6 x 90
5	nut cover M10
6	nut cover cap M10

F

UNLESS OTHERWISE SPECIFIED:
DIMENSIONS ARE IN MILLIMETERS
WEIGHT ARE IN KILOGRAMM

	NAME	SIGNATURE	DATE	REVISION
DRAWN	M.Rebase		09.11.2015	
APPV'D				

PART NUMBER / DWG NO.:

LM105

DESCRIPTION:

Play Centre PETERI
connecting platform to post

MATERIAL:

wood, metal, plastic

A4

WEIGHT:

SCALE: 1:15

SHEET 9 OF 19



Tiptaptap OÜ

Tiptaptap OÜ
Veetorni 9,
Jüri alevik, Rae vald,
75301 Harjumaa

A

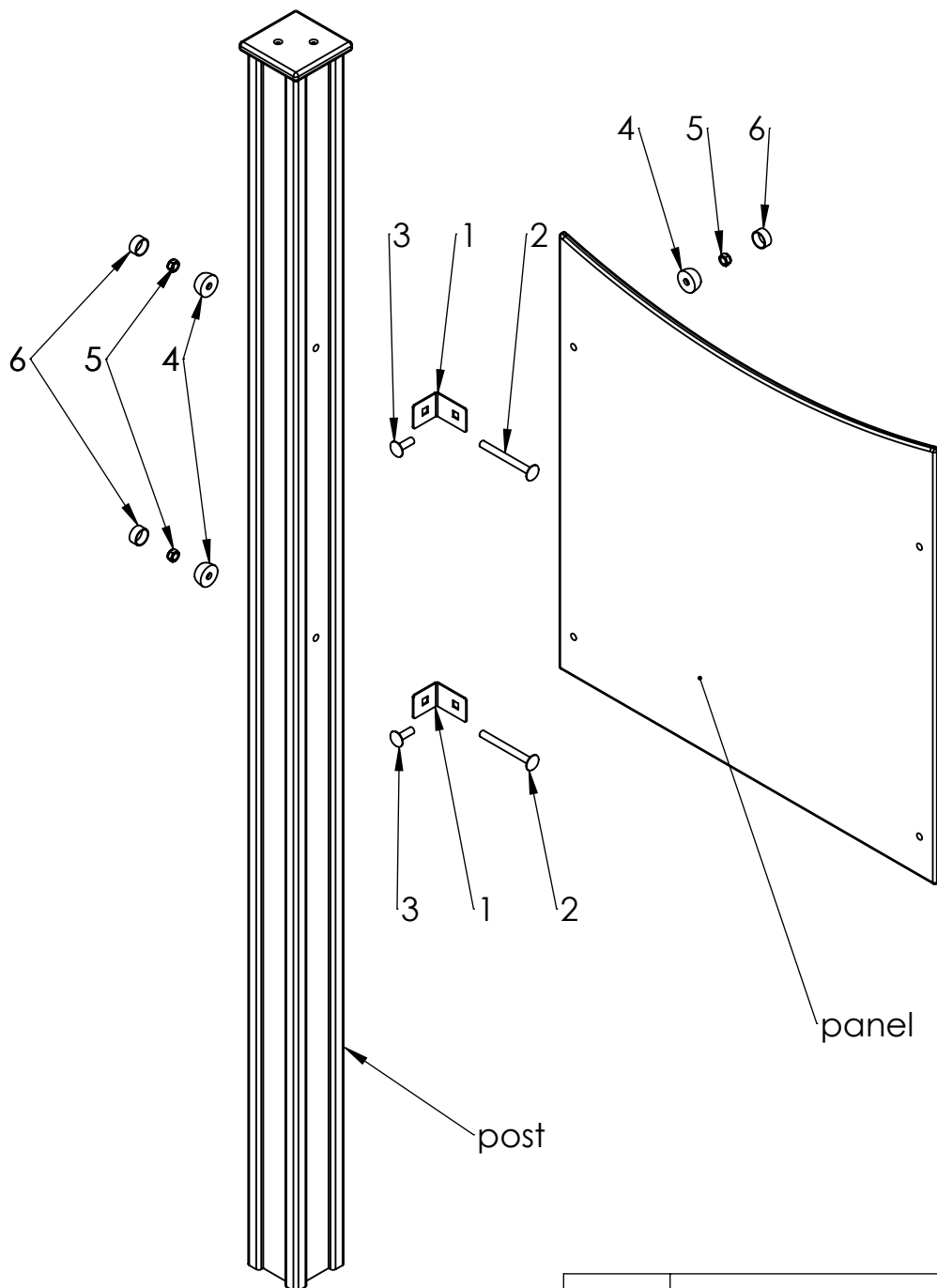
B

C

D

E

F



ITEM NO.	PART NUMBER
1	corner 48x60
2	bolt DIN603 M10x100
3	bolt DIN603 M10x30
4	nut cover M10
5	nut DIN985 M10
6	nut cover cap M10

UNLESS OTHERWISE SPECIFIED:
DIMENSIONS ARE IN MILLIMETERS
WEIGHT ARE IN KILOGRAMM

PART NUMBER / DWG NO.:

LM105

	NAME	SIGNATURE	DATE	REVISION
DRAWN	M.Rebase		09.11.2015	
APPV'D				

DESCRIPTION:

Play Centre PETERI
connecting panel to post

MATERIAL:

wood, metal, plastic

A4

WEIGHT:

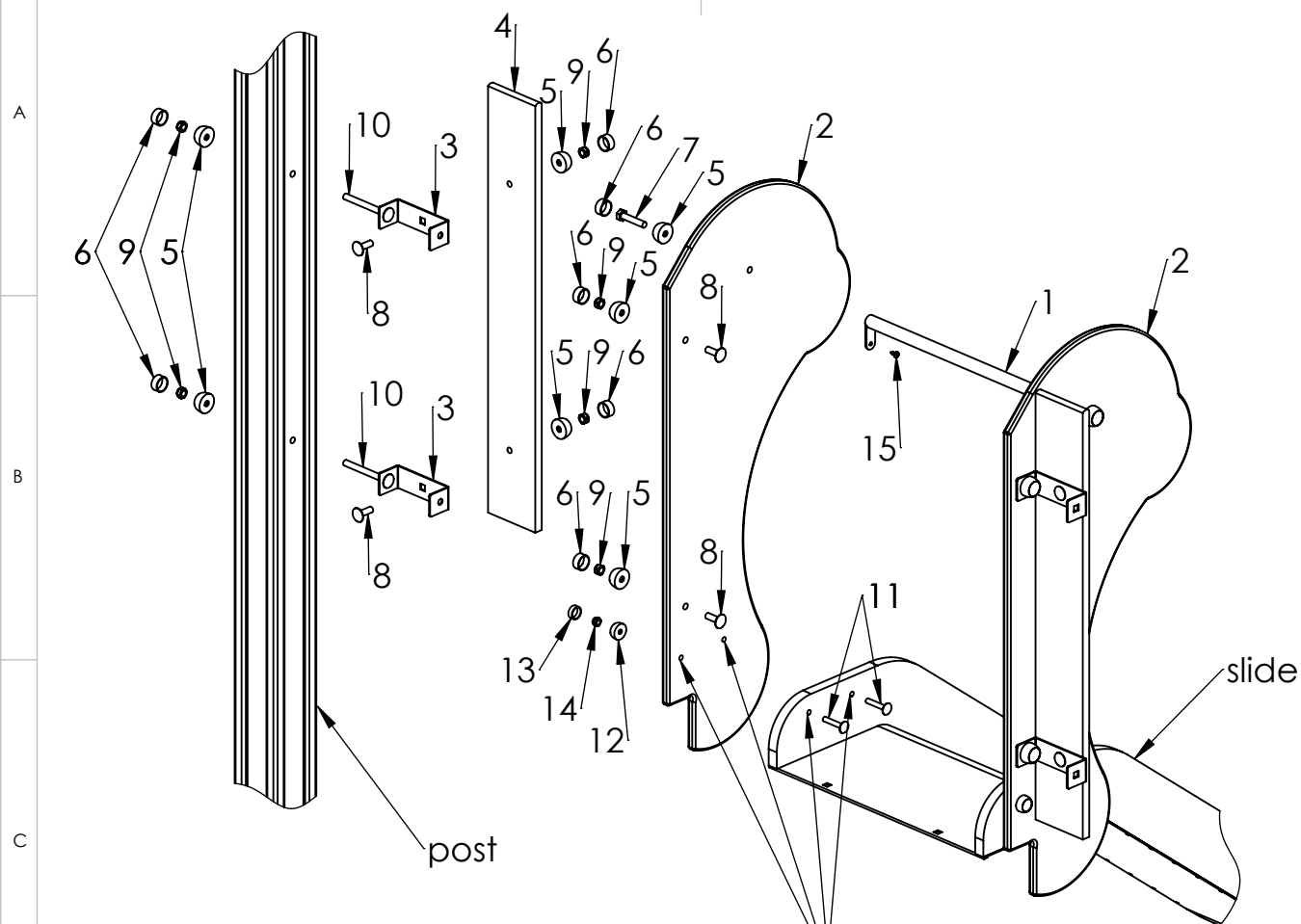
SCALE: 1:10

SHEET 10 OF 19



Tiptap OÜ

Tiptap OÜ
Veetorni 9,
Jüri alevik, Rae vald,
75301 Harjumaa



It is important to drill 8,5mm holes through side panel and slide.

ITEM NO.	PART NUMBER
1	slide guardrail
2	slide side panel
3	slide side panel fixing 40x120
4	side panel 110x780
5	nut cover M10
6	nut cover cap M10
7	bolt DIN931 M10x50
8	bolt DIN603 M10x30
9	nut DIN985 M10
10	bolt DIN603 M10x100
11	bolt DIN603 M8x45
12	nut cover M8
13	nut cover cap M8
14	nut DIN985 M8
15	wood screw 4,8x13

UNLESS OTHERWISE SPECIFIED:
DIMENSIONS ARE IN MILLIMETERS
WEIGHT ARE IN KILOGRAMM

PART NUMBER / DWG NO.:

LM105

	NAME	SIGNATURE	DATE	REVISION
DRAWN	M.Rebase		09.11.2015	
APPV'D				

DESCRIPTION:

Play Centre PETERI
connecting slide guard block to post

MATERIAL:

wood, metal, plastic

A4

WEIGHT:

SCALE: 1:12

SHEET 11 OF 19



Tiptap OÜ

Tiptap OÜ
Veetorni 9,
Jüri alevik, Rae vald,
75301 Harjumaa

A

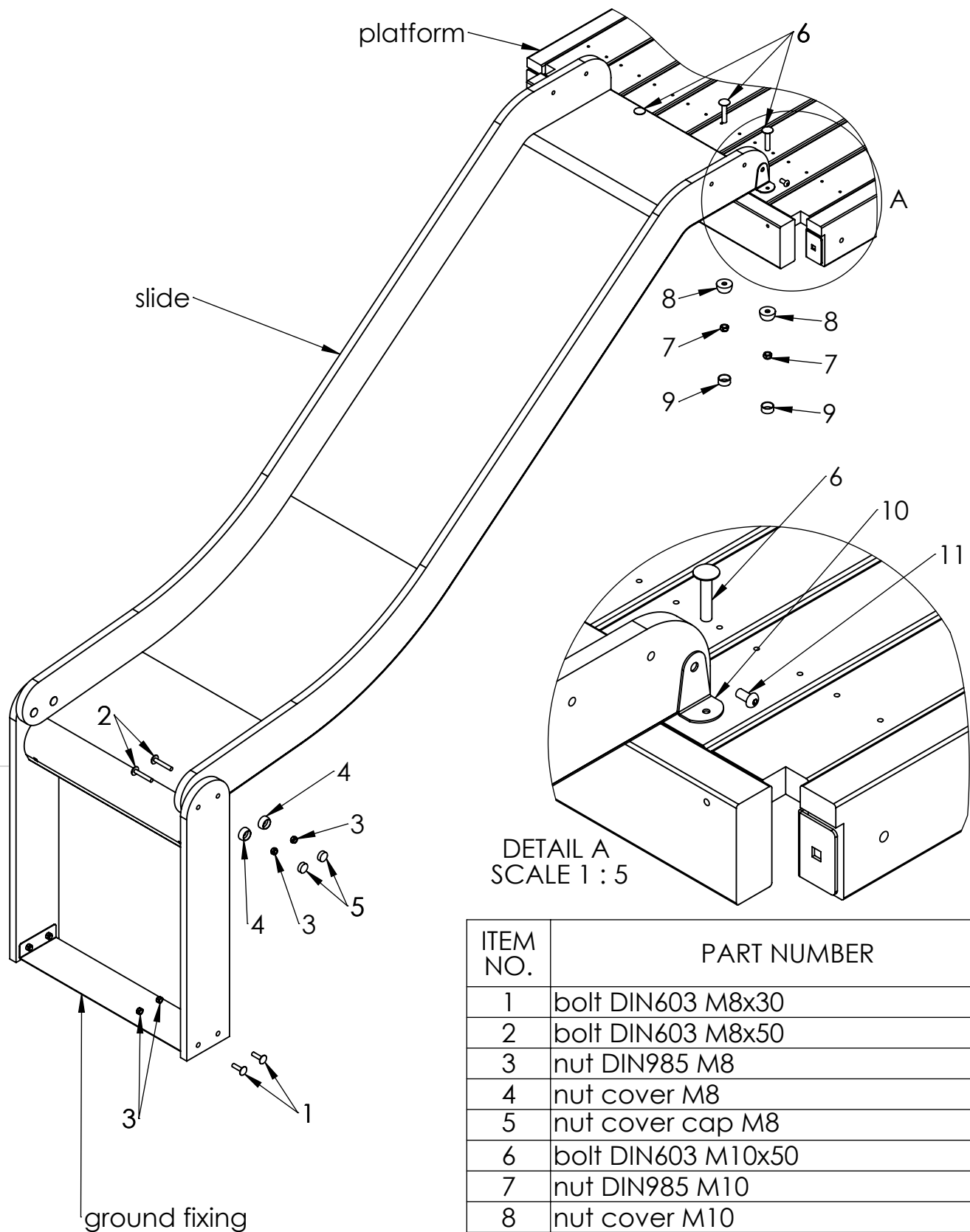
B

C

D

E

F



ITEM NO.	PART NUMBER
1	bolt DIN603 M8x30
2	bolt DIN603 M8x50
3	nut DIN985 M8
4	nut cover M8
5	nut cover cap M8
6	bolt DIN603 M10x50
7	nut DIN985 M10
8	nut cover M10
9	nut cover cap M10
10	corner 58x30
11	metal screw DIN 7380 M8x16

UNLESS OTHERWISE SPECIFIED:
DIMENSIONS ARE IN MILLIMETERS
WEIGHT ARE IN KILOGRAMM

	NAME	SIGNATURE	DATE	REVISION
DRAWN	M.Rebase		09.11.2015	
APPV'D				

PART NUMBER / DWG NO.:

LM105

DESCRIPTION:

Play Centre PETERI
connecting slide to platform

MATERIAL:

wood, metal, plastic

A4

WEIGHT:

SCALE: 1:12

SHEET 12 OF 19



Tiptap OÜ

Tiptap OÜ
Veetorni 9,
Jüri alevik, Rae vald,
75301 Harjumaa

A

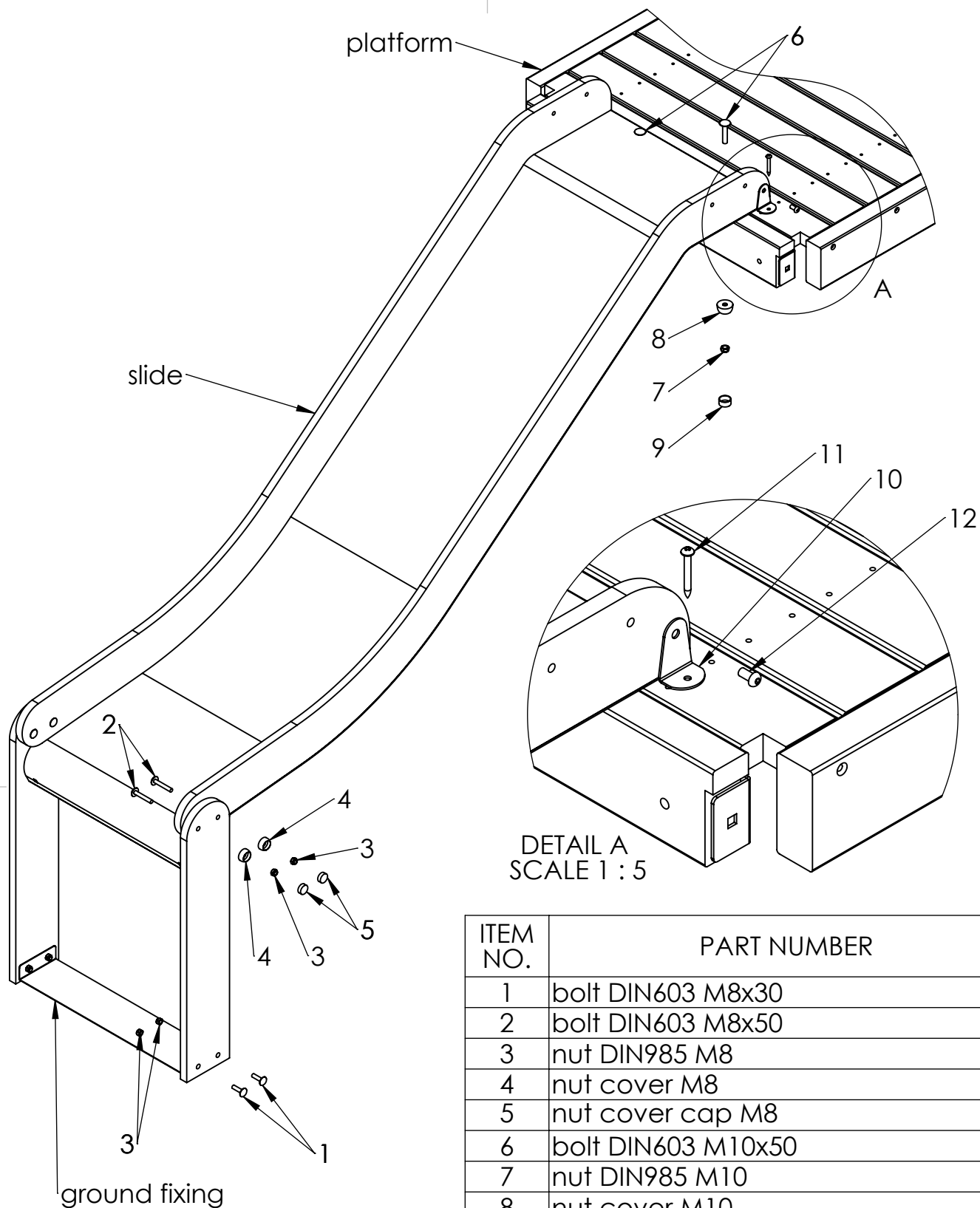
B

C

D

E

F



ITEM NO.	PART NUMBER
1	bolt DIN603 M8x30
2	bolt DIN603 M8x50
3	nut DIN985 M8
4	nut cover M8
5	nut cover cap M8
6	bolt DIN603 M10x50
7	nut DIN985 M10
8	nut cover M10
9	nut cover cap M10
10	corner 58x30
11	screw DIN 7996 d.6x50
12	metal screw DIN 7380 M8x16

UNLESS OTHERWISE SPECIFIED:
DIMENSIONS ARE IN MILLIMETERS
WEIGHT ARE IN KILOGRAMM

	NAME	SIGNATURE	DATE	REVISION
DRAWN	M.Rebase		09.11.2015	
APPV'D				

PART NUMBER / DWG NO.:

LM105

DESCRIPTION:

Play Centre PETERI
connecting slide to platform

MATERIAL:

wood, metal, plastic

A4

WEIGHT:

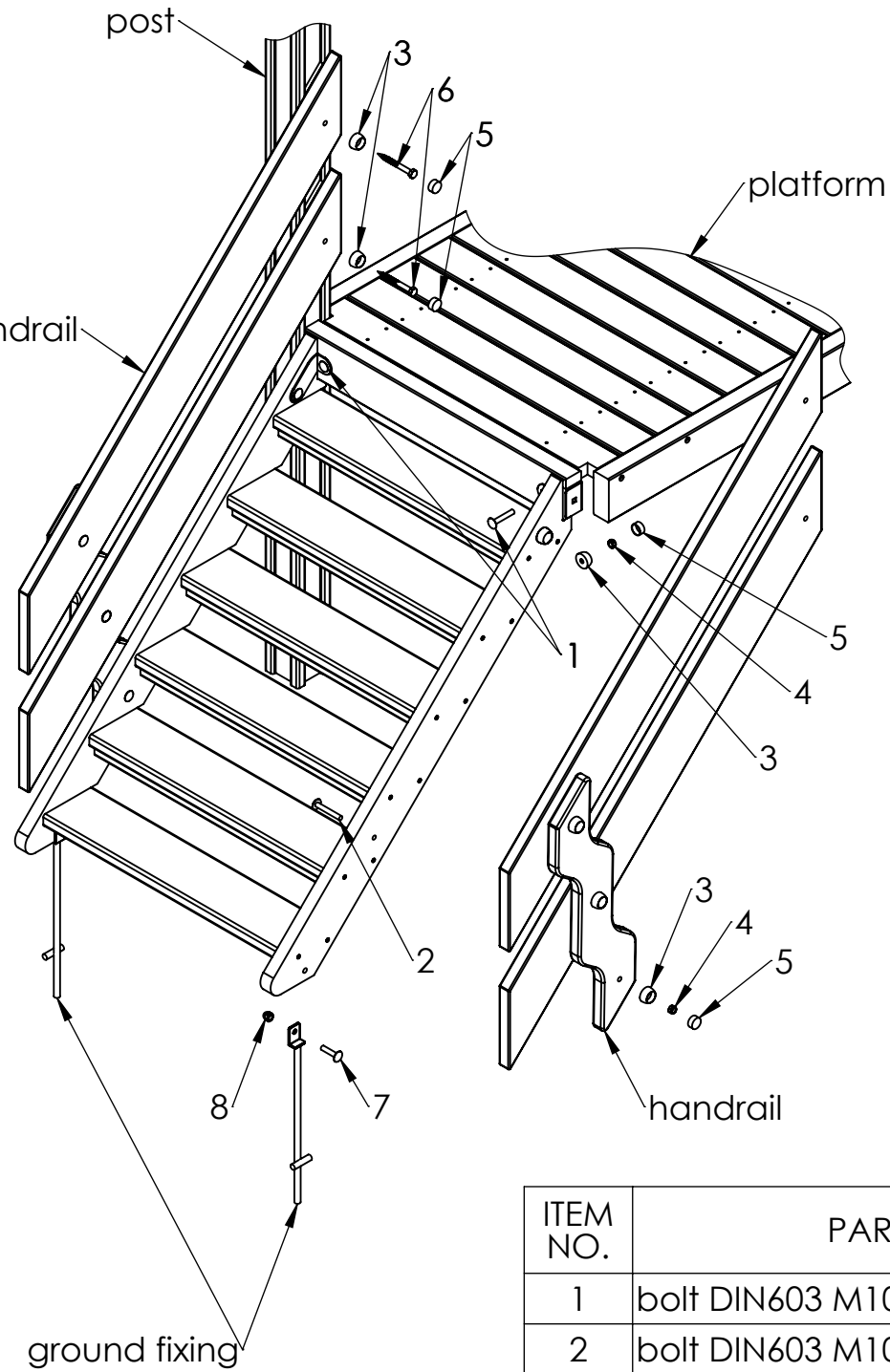
SCALE: 1:12

SHEET 13 OF 19



Tiptap OÜ

Tiptap OÜ
Veetorni 9,
Jüri alevik, Rae vald,
75301 Harjumaa



ITEM NO.	PART NUMBER
1	bolt DIN603 M10x60
2	bolt DIN603 M10x70
3	nut cover M10
4	nut DIN985 M10
5	nut cover cap M10
6	wood screw DIN571 10x100
7	bolt DIN603 M10x45
8	domed cap nut DIN1587 M10

UNLESS OTHERWISE SPECIFIED:
DIMENSIONS ARE IN MILLIMETERS
WEIGHT ARE IN KILOGRAMM

PART NUMBER / DWG NO.:

LM105

	NAME	SIGNATURE	DATE	REVISION
DRAWN	M.Rebase		09.11.2015	
APPV'D				

DESCRIPTION:

Play Centre PETERI
connecting stairs to platform



Tiptap OÜ

Tiptap OÜ
Veetorni 9,
Jüri alevik, Rae vald,
75301 Harjumaa

MATERIAL:

wood, metal, plastic

A4

WEIGHT:

SCALE: 1:15

SHEET 14 OF 19

A

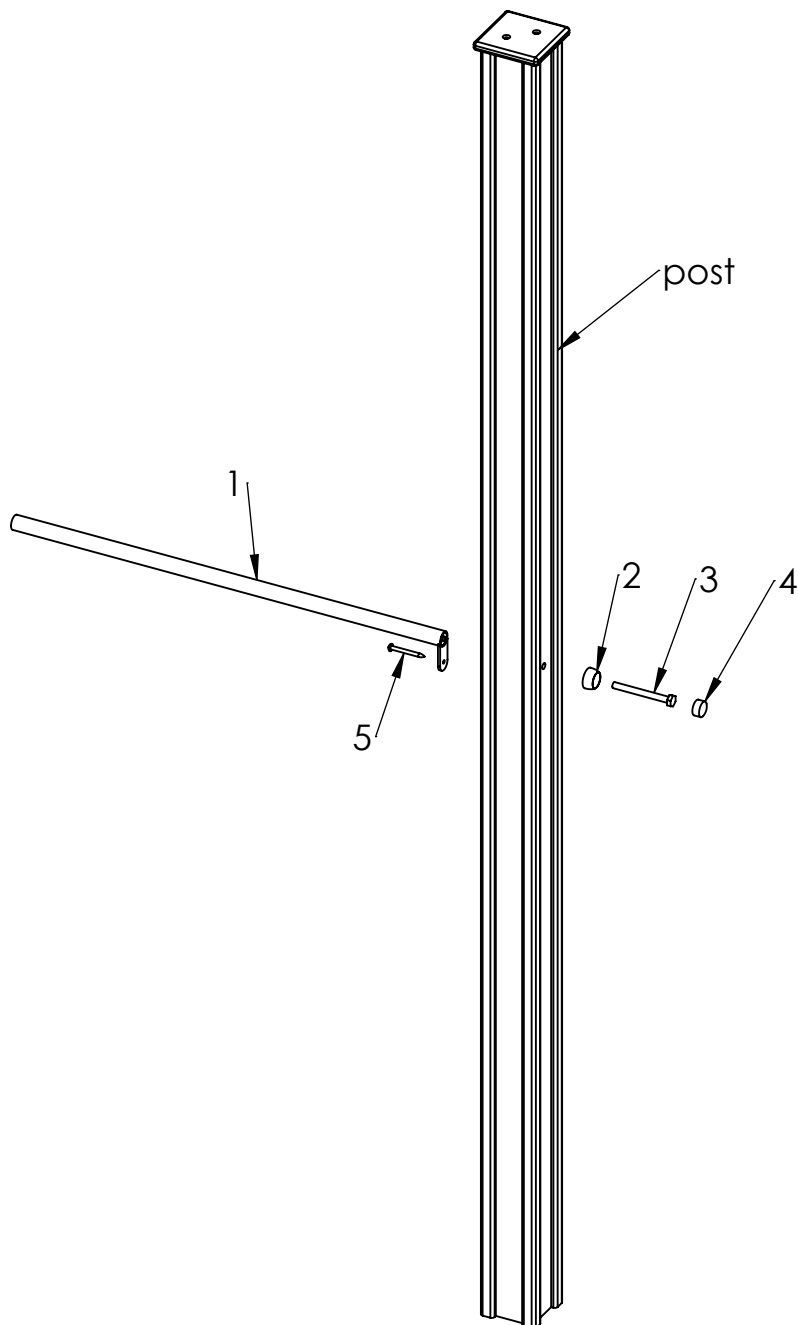
B

C

D

E

F



ITEM NO.	PART NUMBER
1	guardrail ϕ 40x770
2	nut cover M10
3	bolt DIN931 M10x100
4	nut cover cap M10
5	screw DIN7996 6x60

UNLESS OTHERWISE SPECIFIED:
DIMENSIONS ARE IN MILLIMETERS
WEIGHT ARE IN KILOGRAMM

	NAME	SIGNATURE	DATE	REVISION
DRAWN	M.Rebase		09.11.2015	
APPV'D				

PART NUMBER / DWG NO.:

LM105
connecting guardrail to post

DESCRIPTION:

Play Centre PETERI

MATERIAL:

wood, metal, plastic

A4

WEIGHT:

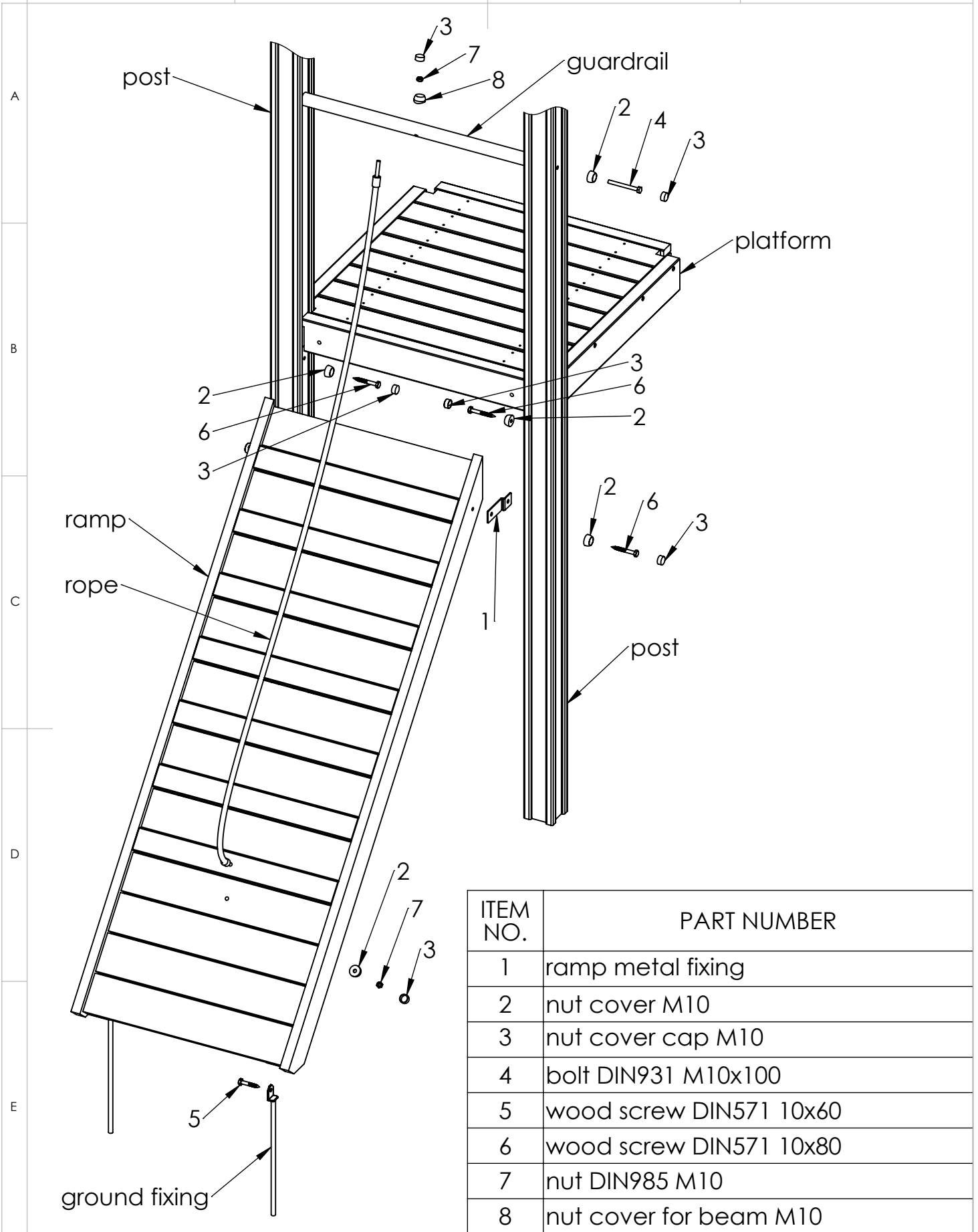
SCALE: 1:12

SHEET 15 OF 19



Tiptaptap OÜ

Tiptaptap OÜ
Veetorni 9,
Jüri alevik, Rae vald,
75301 Harjumaa



ITEM NO.	PART NUMBER
1	ramp metal fixing
2	nut cover M10
3	nut cover cap M10
4	bolt DIN931 M10x100
5	wood screw DIN571 10x60
6	wood screw DIN571 10x80
7	nut DIN985 M10
8	nut cover for beam M10

UNLESS OTHERWISE SPECIFIED:
DIMENSIONS ARE IN MILLIMETERS
WEIGHT ARE IN KILOGRAMM

PART NUMBER / DWG NO.:
LM105

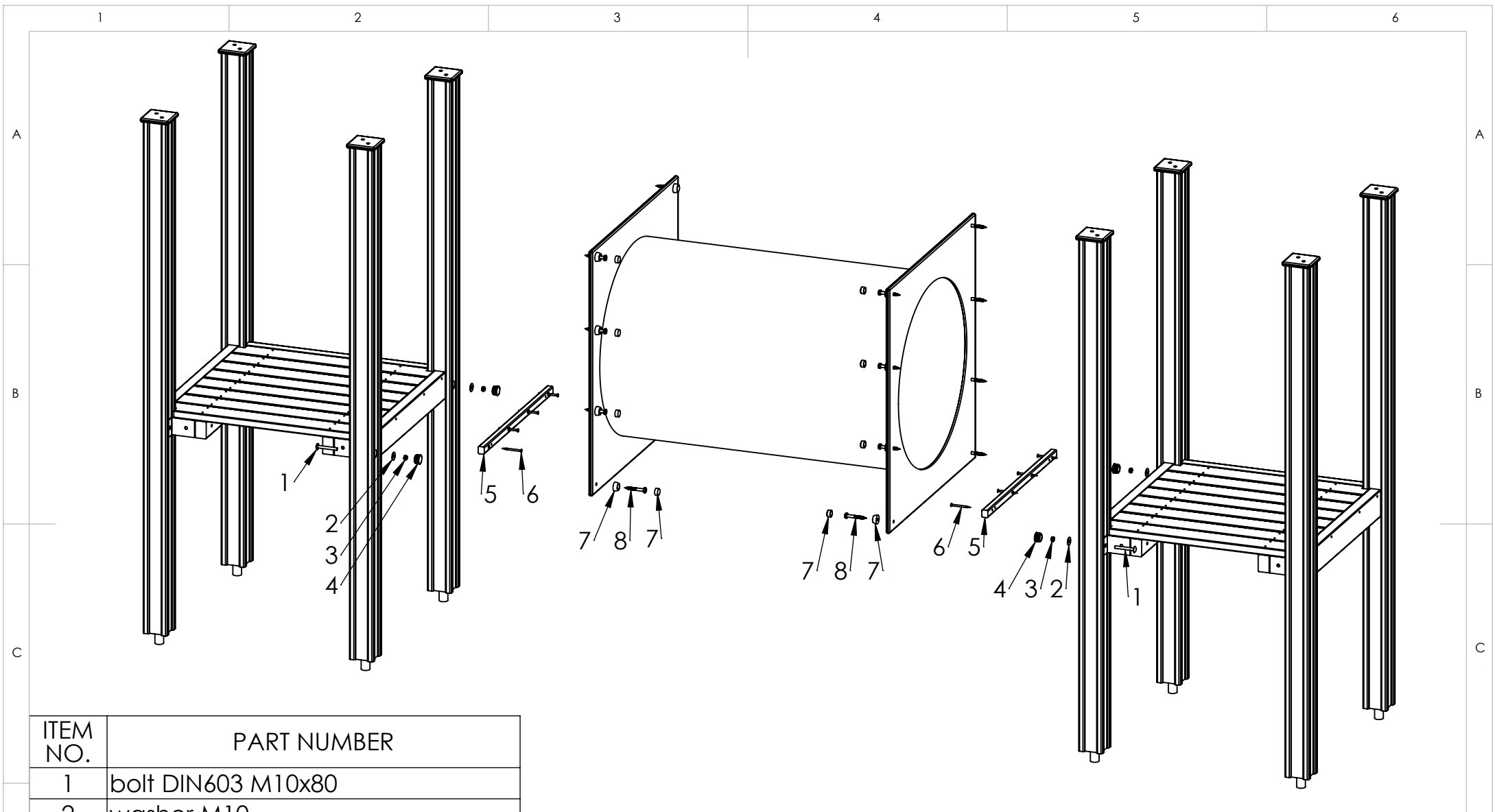
	NAME	SIGNATURE	DATE	REVISION
DRAWN	M.Rebase		09.11.2015	
APPV'D				

DESCRIPTION:
Play Centre PETERI



Tiptiptap OÜ
Veetorni 9,
Jüri alevik, Rae vald,
75301 Harjumaa

MATERIAL:	wood, metal, plastic	A4
WEIGHT:		SCALE: 1:15
		SHEET 16 OF 19



ITEM NO.	PART NUMBER
1	bolt DIN603 M10x80
2	washer M10
3	nut DIN985 M10
4	plastic cap
5	lath 25x30x750
6	woodscrew 6 x 80
7	nut cover with cap
8	screw DIN571 10x80

UNLESS OTHERWISE SPECIFIED:
 DIMENSIONS ARE IN MILLIMETERS
 WEIGHT ARE IN KILOGRAMM

	NAME	SIGNATURE	DATE	REVISION
DRAWN	M.Rebase		09.11.2015	
APPV'D				

PART NUMBER / DWG NO.:
LM105

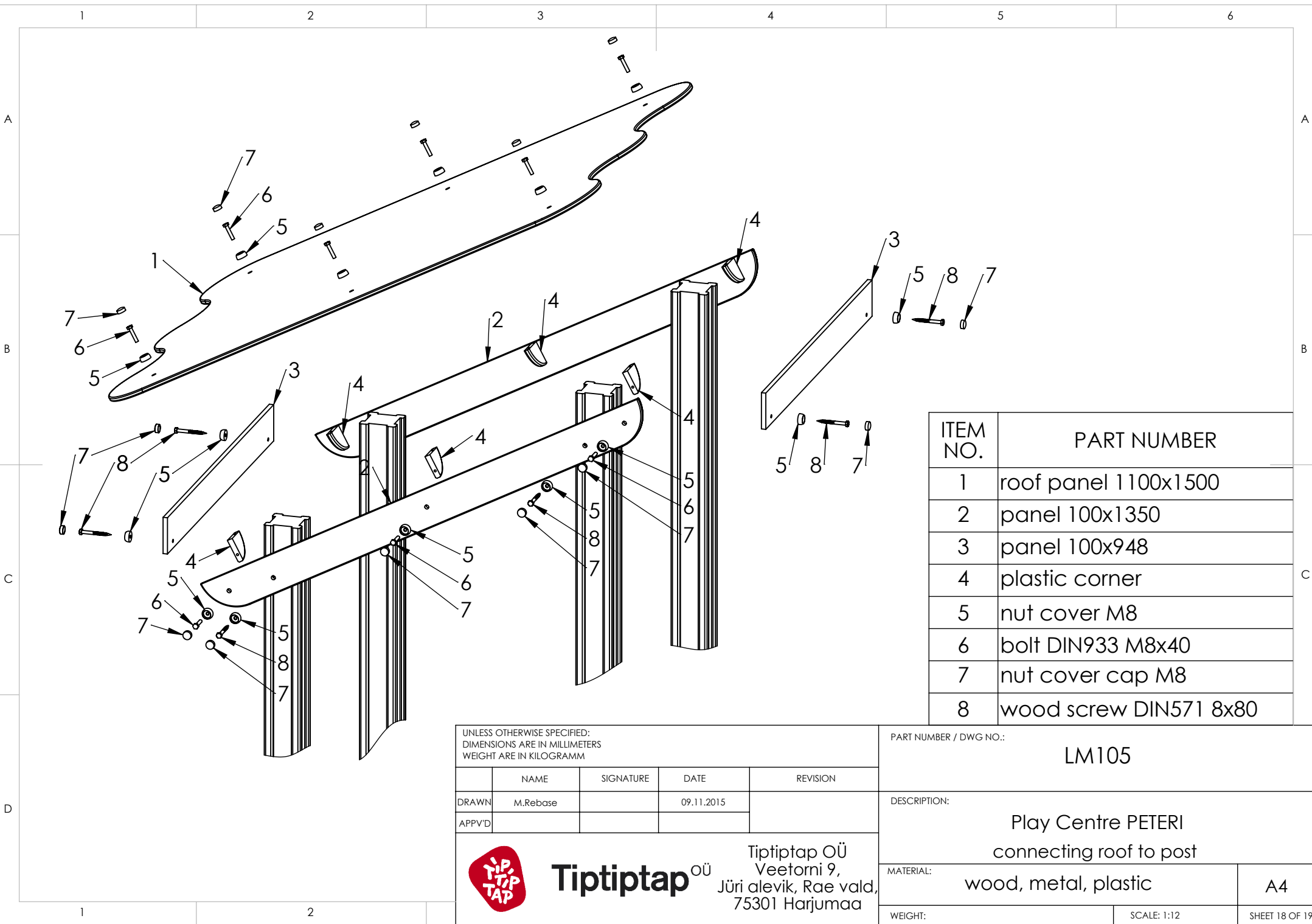
DESCRIPTION:
Play Centre PETERI

MATERIAL: wood, metal, plastic



Tiptaptap OÜ
 Tiptaptap OÜ
 Veetorni 9,
 Jüri alevik, Rae vald,
 75301 Harjumaa

WEIGHT: SCALE: 1:20 SHEET 17 OF 19



ITEM NO.	PART NUMBER
1	roof panel 1100x1500
2	panel 100x1350
3	panel 100x948
4	plastic corner
5	nut cover M8
6	bolt DIN933 M8x40
7	nut cover cap M8
8	wood screw DIN571 8x80

UNLESS OTHERWISE SPECIFIED:
 DIMENSIONS ARE IN MILLIMETERS
 WEIGHT ARE IN KILOGRAMM

	NAME	SIGNATURE	DATE	REVISION
DRAWN	M.Rebase		09.11.2015	
APPV'D				


Tiptap OÜ
 Tiptap OÜ
 Veetorni 9,
 Jüri alevik, Rae vald,
 75301 Harjumaa

PART NUMBER / DWG NO.: LM105	
DESCRIPTION: Play Centre PETERI connecting roof to post	
MATERIAL: wood, metal, plastic	A4
WEIGHT:	SCALE: 1:12 SHEET 18 OF 19

A

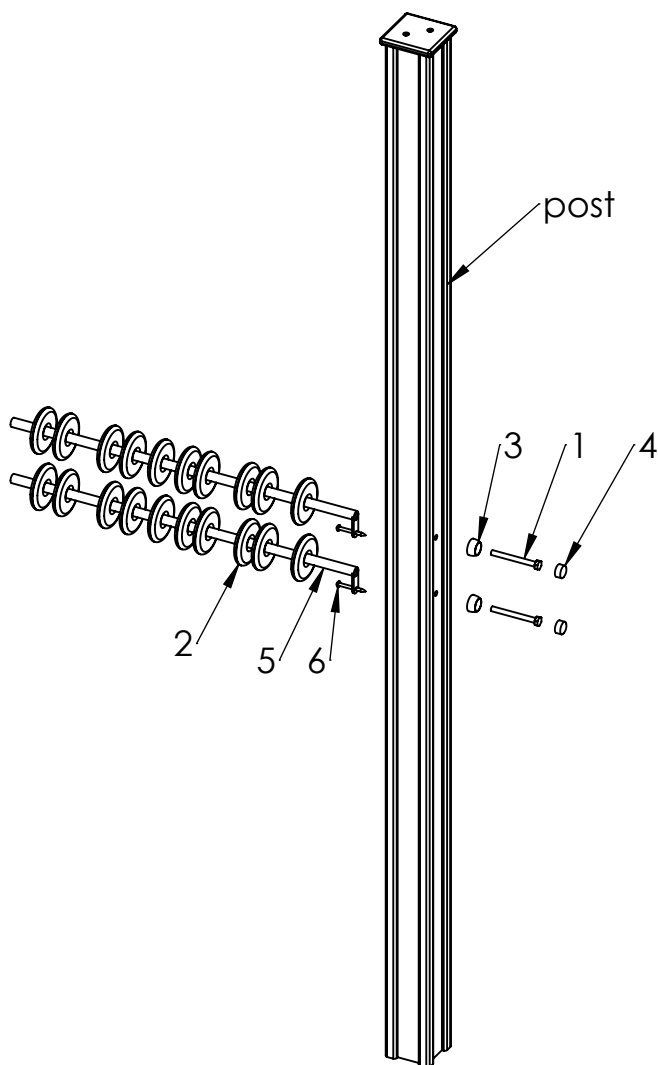
B

C

D

E

F



ITEM NO.	PART NUMBER
1	bolt DIN931 M10x100
2	ring
3	nut cover M10
4	nut cover cap M10
5	beam 18x770
6	screw DIN7996 6x60

UNLESS OTHERWISE SPECIFIED:
DIMENSIONS ARE IN MILLIMETERS
WEIGHT ARE IN KILOGRAMM

	NAME	SIGNATURE	DATE	REVISION
DRAWN	M.Rebase		09.11.2015	
APPV'D				

PART NUMBER / DWG NO.:

LM105
connecting counting rings to post

DESCRIPTION:

Play Centre PETERI

MATERIAL:

wood, metal, plastic

A4

WEIGHT:

SCALE: 1:15

SHEET 19 OF 19



Tiptaptap OÜ

Tiptaptap OÜ
Veetorni 9,
Jüri alevik, Rae vald,
75301 Harjumaa