

UNLESS OTHERWISE SPECIFIED:  
DIMENSIONS ARE IN MILLIMETERS  
WEIGHT ARE IN KILOGRAMM

PART NUMBER / DWG NO.:

LM102

	NAME	SIGNATURE	DATE	REVISION
DRAWN	M.Rebase		21.07.2014	
APPV'D				

DESCRIPTION:

Play Centre JOHANNA



**Tiptaptap** OÜ

Tiptaptap OÜ  
Veetorni 9,  
Jüri alevik, Rae vald,  
75301 Harjumaa

MATERIAL:

wood, metal, plastic

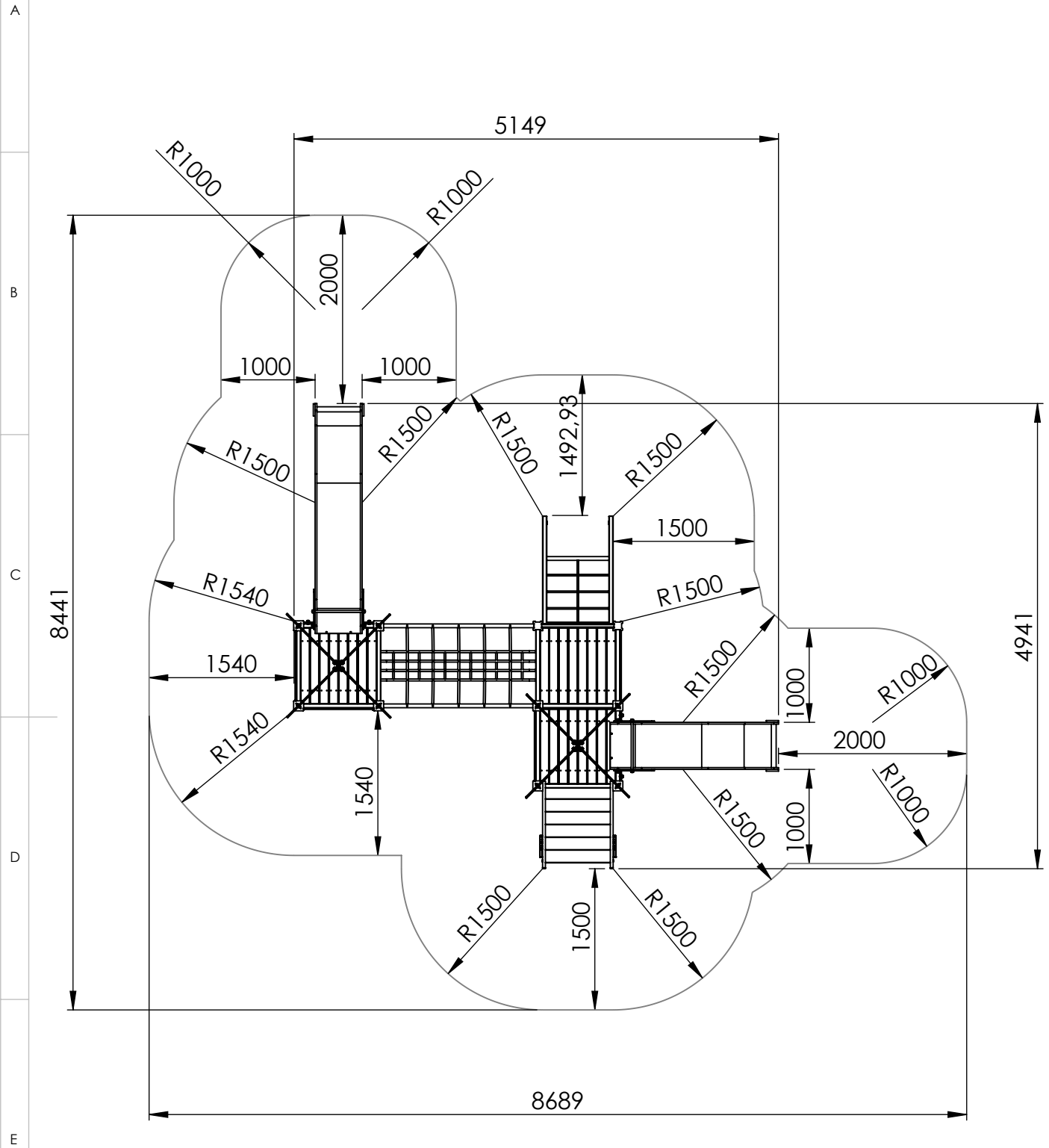
A4

WEIGHT:

SCALE: 1:35

SHEET 1 OF 16

# safety area



UNLESS OTHERWISE SPECIFIED:  
DIMENSIONS ARE IN MILLIMETERS  
WEIGHT ARE IN KILOGRAMM

PART NUMBER / DWG NO.:

LM102

	NAME	SIGNATURE	DATE	REVISION
DRAWN	M.Rebase		21.07.2014	
APPV'D				

DESCRIPTION:

Play Centre JOHANNA



**Tiptaptap** OÜ

Tiptaptap OÜ  
Veetorni 9,  
Jüri alevik, Rae vald,  
75301 Harjumaa

MATERIAL:

wood, metal, plastic

A4

WEIGHT:

SCALE: 1:60

SHEET 2 OF 16

# foundation

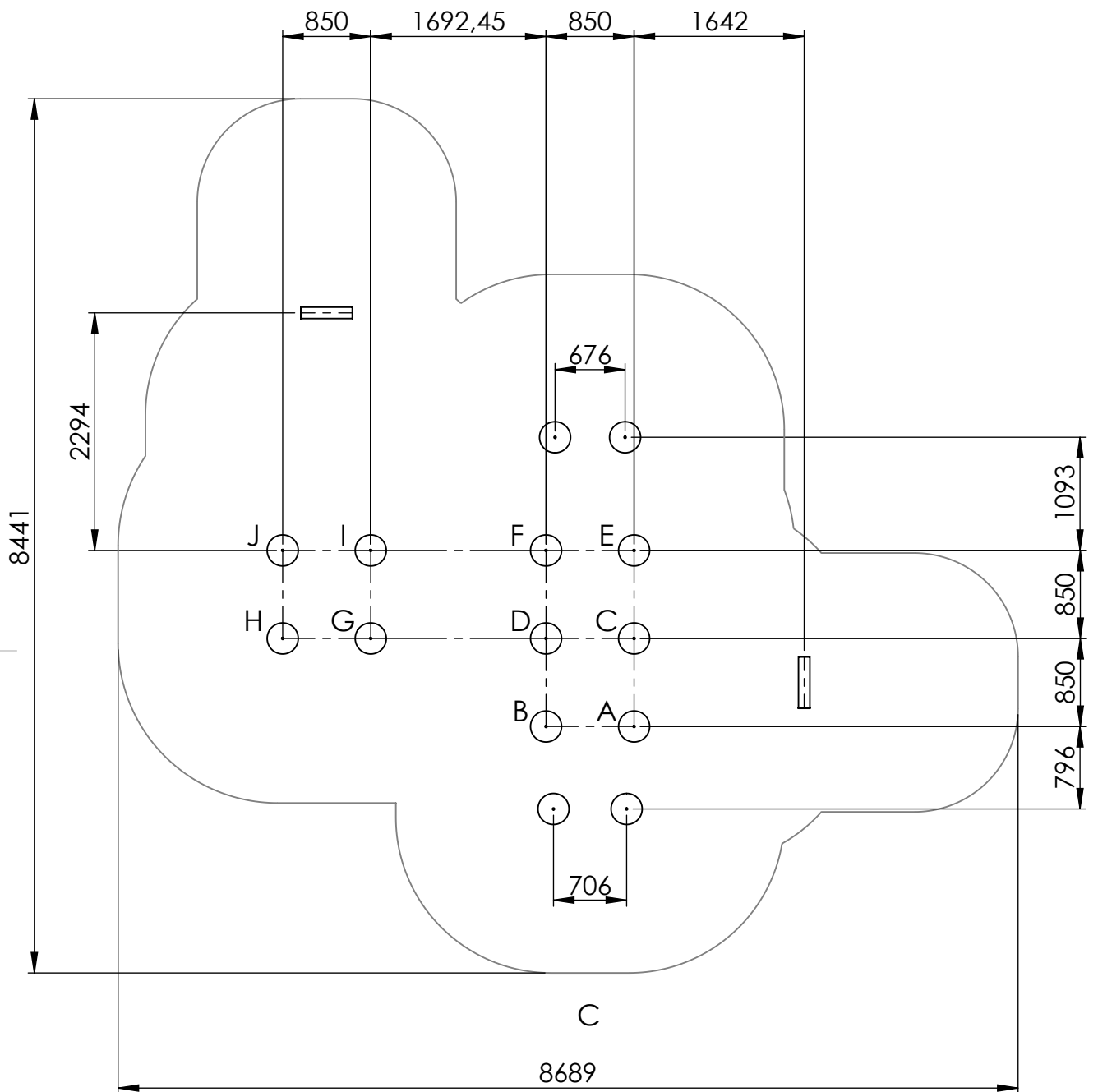
A

B

C

D

E



UNLESS OTHERWISE SPECIFIED:  
DIMENSIONS ARE IN MILLIMETERS  
WEIGHT ARE IN KILOGRAMM

PART NUMBER / DWG NO.:

LM102

	NAME	SIGNATURE	DATE	REVISION
DRAWN	M.Rebase		21.07.2014	
APPV'D				

DESCRIPTION:

Play Centre JOHANNA



**Tiptap** OÜ

Tiptap OÜ  
Veetorni 9,  
Jüri alevik, Rae vald,  
75301 Harjumaa

MATERIAL:

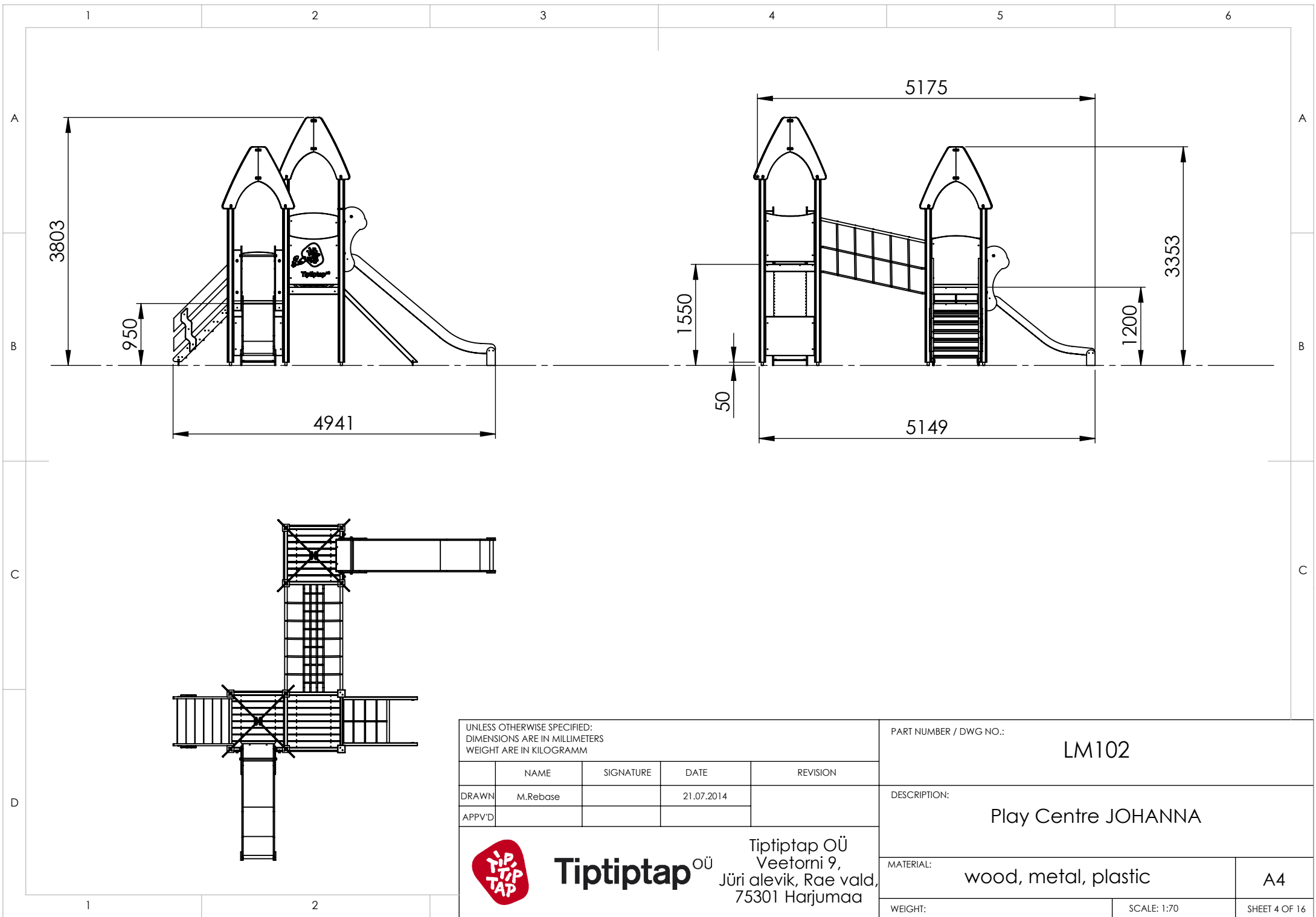
wood, metal, plastic

A4

WEIGHT:

SCALE: 1:60

SHEET 3 OF 16



UNLESS OTHERWISE SPECIFIED:  
 DIMENSIONS ARE IN MILLIMETERS  
 WEIGHT ARE IN KILOGRAMM

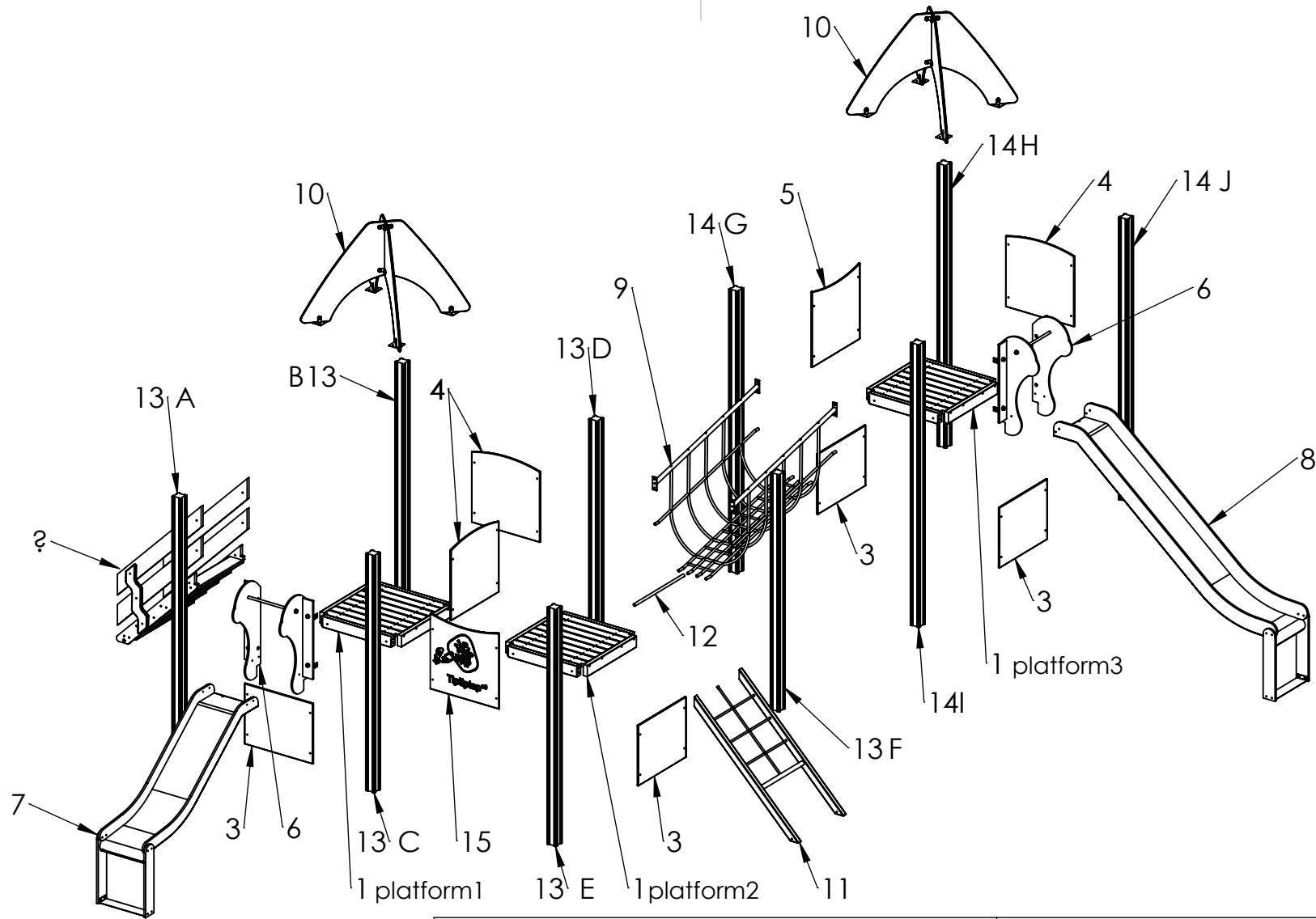
	NAME	SIGNATURE	DATE	REVISION
DRAWN	M.Rebase		21.07.2014	
APPV'D				


**Tiptaptap** OÜ  
 Veetorni 9,  
 Jüri alevik, Rae vald,  
 75301 Harjumaa

PART NUMBER / DWG NO.: **LM102**

DESCRIPTION:  
**Play Centre JOHANNA**

MATERIAL:	wood, metal, plastic	A4
WEIGHT:		SCALE: 1:70
		SHEET 4 OF 16



UNLESS OTHERWISE SPECIFIED:  
DIMENSIONS ARE IN MILLIMETERS  
WEIGHT ARE IN KILOGRAMM

	NAME	SIGNATURE	DATE	REVISION
DRAWN	M.Rebase		21.07.2014	
APPV'D				

PART NUMBER / DWG NO.:

LM102

DESCRIPTION:

Play Centre JOHANNA

MATERIAL:

wood, metal, plastic

A4

WEIGHT:

SCALE: 1:55

SHEET 5 OF 16



**Tiptap** OÜ

Tiptap OÜ  
Veetorni 9,  
Jüri alevik, Rae vald,  
75301 Harjumaa

ITEM NO.	PART NUMBER	DESCRIPTION	QTY.
1	platform	laminated wood, metal	3
2	stairs h.900	laminated wod	1
3	panel 750x600	plywood	4
4	panel 750x750	plywood	3
5	panel 750x750	plywood	1
6	slide guard block	plywood, metal, plastic	2
7	slide h_950	stainless steel, PE plastic	1
8	slide h_1550	stainless steel, PE plastic	1
9	inclined rope bridge	PP covered steel wire	1
10	roof	plywood	2
11	inclined climbing net h.1200	wood, PP covered steel wire	1
12	guardrail $\phi$ 25x770	painted steel	1
13	post 98x98x2350	laminated wood	6
14	post 98x98x2800	laminated wood	4
15	panel 750x750 with logo	15mm plywood	1

UNLESS OTHERWISE SPECIFIED:  
DIMENSIONS ARE IN MILLIMETERS  
WEIGHT ARE IN KILOGRAMM

PART NUMBER / DWG NO.:

LM102

	NAME	SIGNATURE	DATE	REVISION
DRAWN	M.Rebase		21.07.2014	
APPV'D				

DESCRIPTION:

Play Centre JOHANNA



**Tiptaptap** OÜ

Tiptaptap OÜ  
Veetorni 9,  
Jüri alevik, Rae vald,  
75301 Harjumaa

MATERIAL:

wood, metal, plastic

A4

WEIGHT:

SCALE: 1:55

SHEET 6 OF 16

A

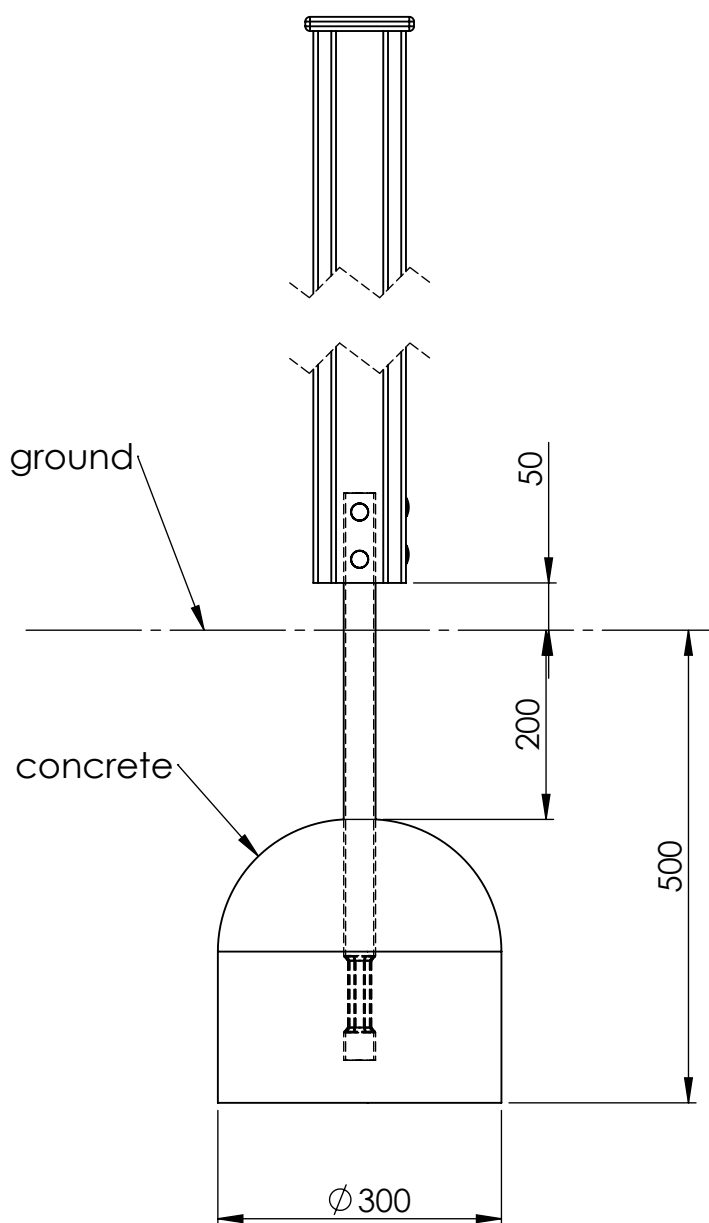
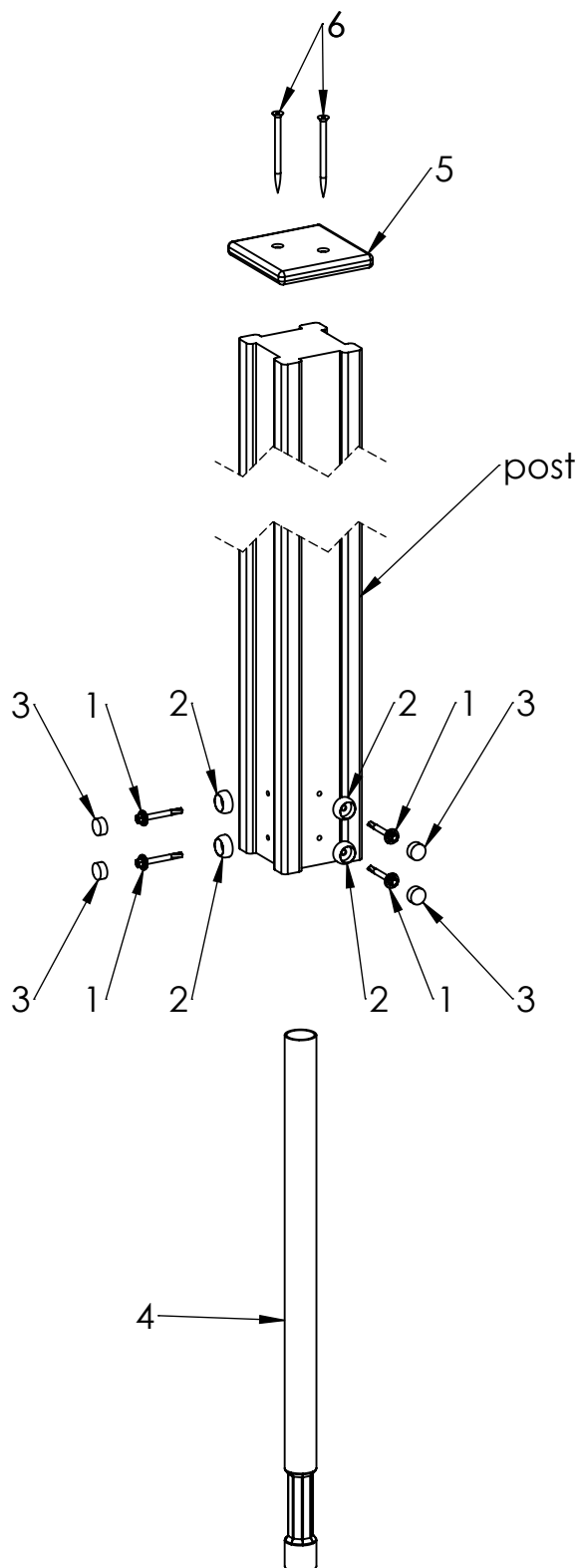
B

C

D

E

F



ITEM NO.	PART NUMBER
1	screw DIN7504K 5,5x50
2	nut cover M6
3	nut cover cap M6
4	metal ground fixing L_600
5	plastic cap 115x115
6	woodscrew 6 x 90

UNLESS OTHERWISE SPECIFIED:  
DIMENSIONS ARE IN MILLIMETERS  
WEIGHT ARE IN KILOGRAMM

PART NUMBER / DWG NO.:

LM102

	NAME	SIGNATURE	DATE	REVISION
DRAWN	M.Rebase		21.07.2014	
APPV'D				

DESCRIPTION:

Play Centre JOHANNA  
connecting metal ground fixing to post

MATERIAL:

wood, metal, plastic

A4

WEIGHT:

SCALE: 1:8

SHEET 7 OF 16



**Tiptaptap** OÜ

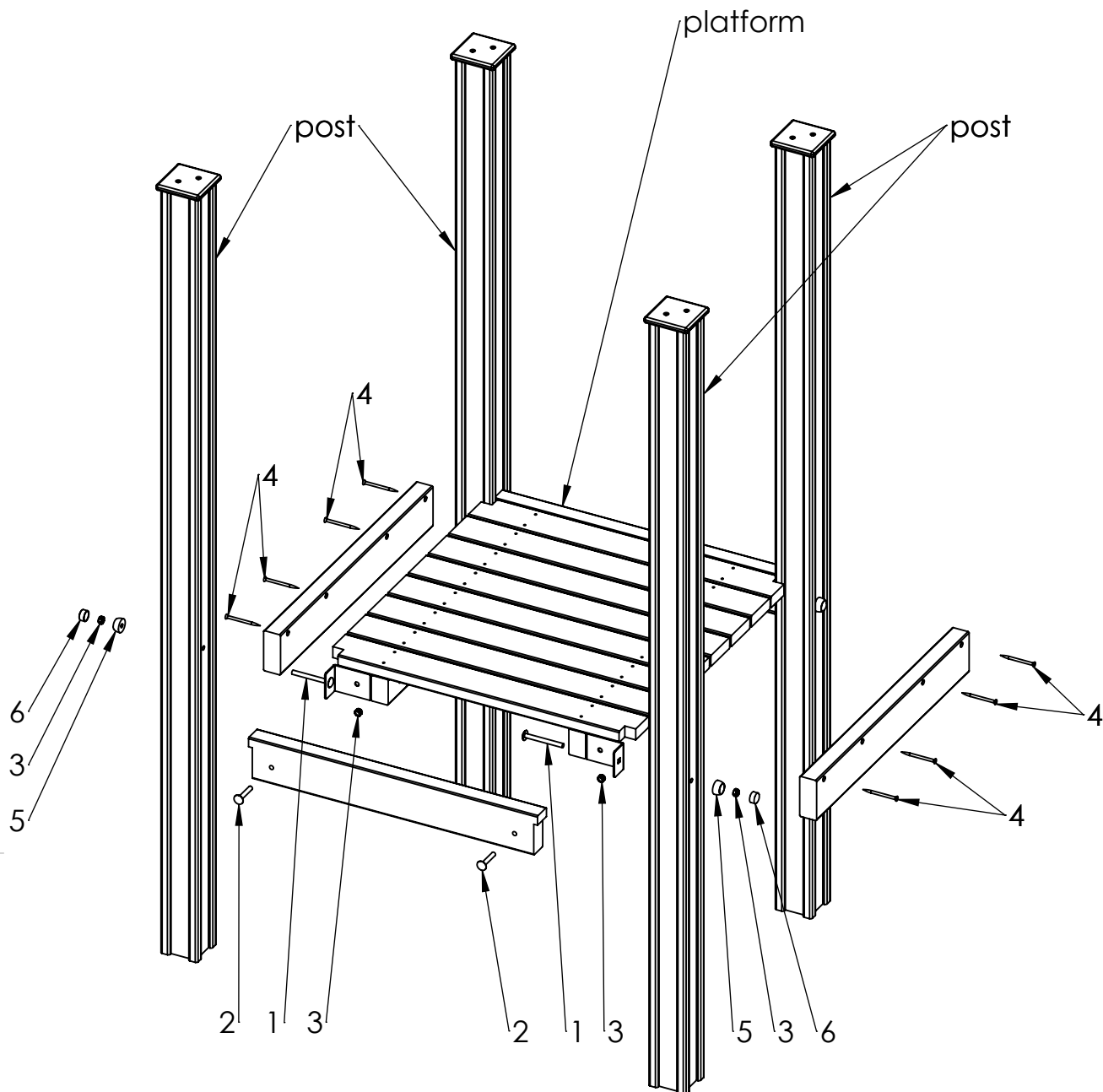
Tiptaptap OÜ  
Veetorni 9,  
Jüri alevik, Rae vald,  
75301 Harjumaa

A

B

C

D



E

ITEM NO.	PART NUMBER
1	bolt DIN603 M10x100
2	bolt DIN603 M10x60
3	nut DIN985 M10
4	woodscrew 6 x 90
5	nut cover M10
6	nut cover cap M10

F

UNLESS OTHERWISE SPECIFIED:  
DIMENSIONS ARE IN MILLIMETERS  
WEIGHT ARE IN KILOGRAMM

	NAME	SIGNATURE	DATE	REVISION
DRAWN	M.Rebase		21.07.2014	
APPV'D				

PART NUMBER / DWG NO.:

LM102

DESCRIPTION:

Play Centre JOHANNA  
connecting platform to post

MATERIAL:

wood, metal, plastic

A4

WEIGHT:

SCALE: 1:15

SHEET 8 OF 16



**Tiptaptap** OÜ

Tiptaptap OÜ  
Veetorni 9,  
Jüri alevik, Rae vald,  
75301 Harjumaa



A

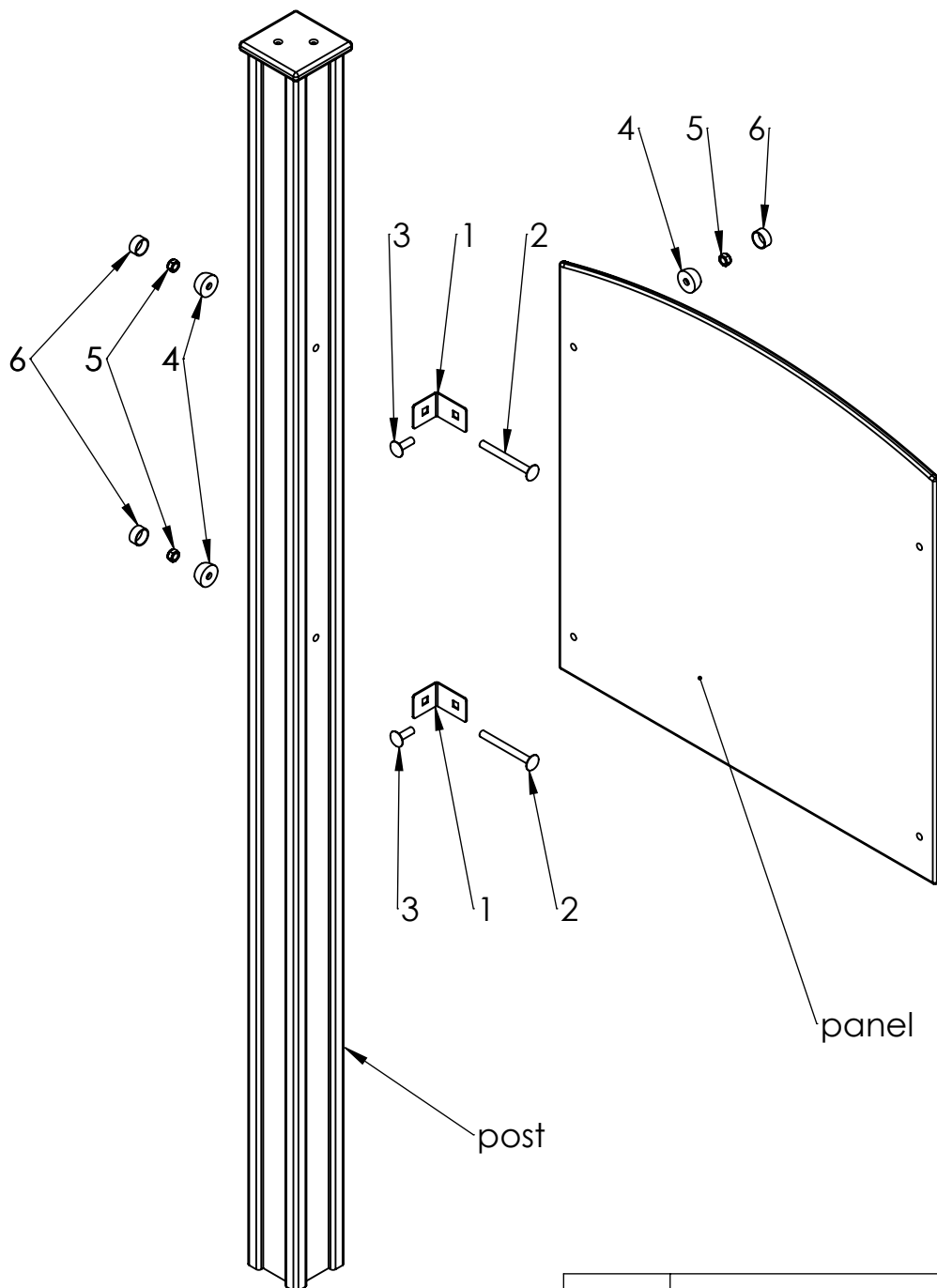
B

C

D

E

F



ITEM NO.	PART NUMBER
1	corner 48x60
2	bolt DIN603 M10x100
3	bolt DIN603 M10x30
4	nut cover M10
5	nut DIN985 M10
6	nut cover cap M10

UNLESS OTHERWISE SPECIFIED:  
DIMENSIONS ARE IN MILLIMETERS  
WEIGHT ARE IN KILOGRAMM

PART NUMBER / DWG NO.:

LM102

	NAME	SIGNATURE	DATE	REVISION
DRAWN	M.Rebase		21.07.2014	
APPV'D				

DESCRIPTION:

Play Centre JOHANNA  
connecting panel to post

MATERIAL:

wood, metal, plastic

A4

WEIGHT:

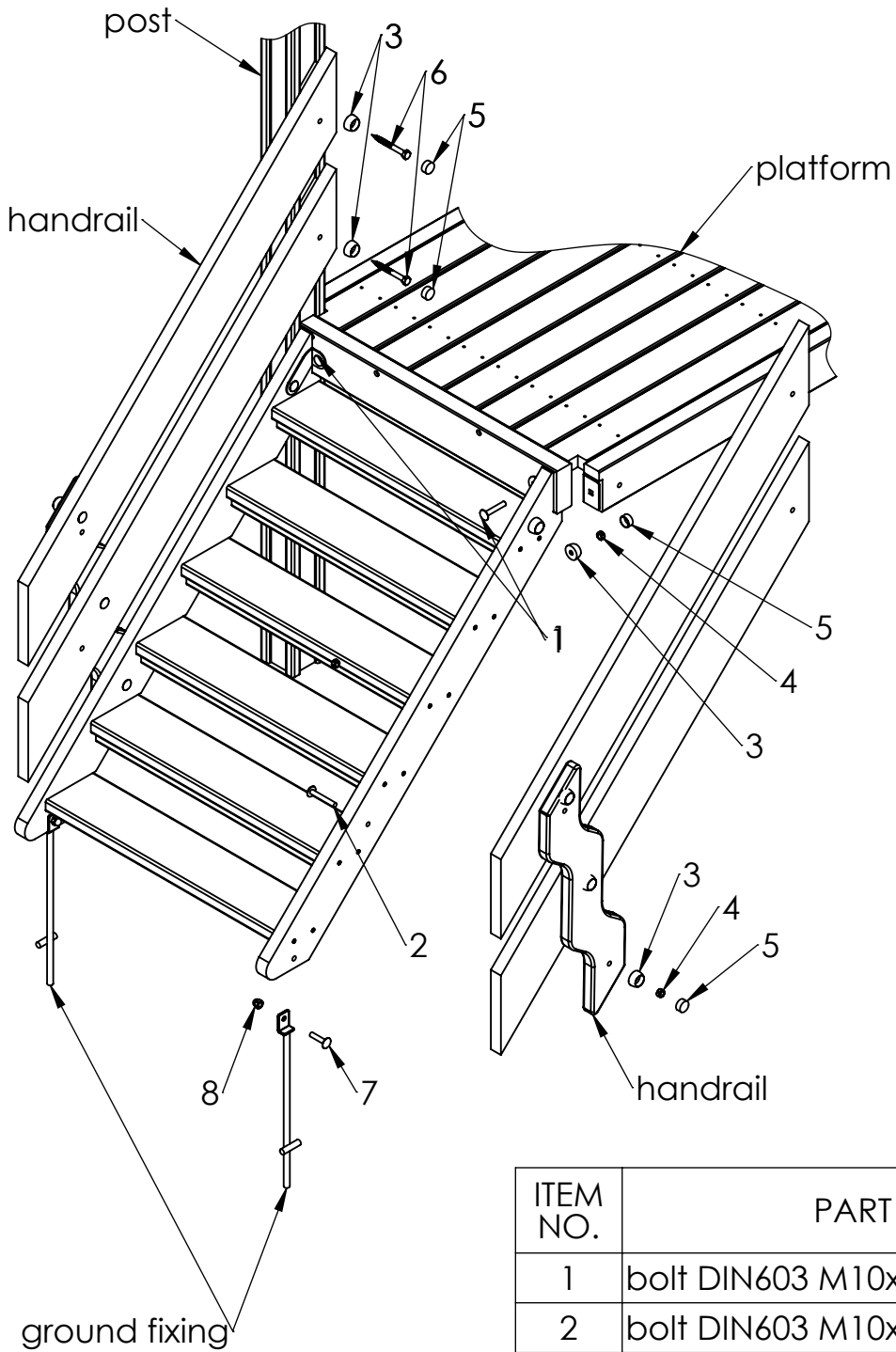
SCALE: 1:10

SHEET 9 OF 16



**Tiptap** OÜ

Tiptap OÜ  
Veetorni 9,  
Jüri alevik, Rae vald,  
75301 Harjumaa



ITEM NO.	PART NUMBER
1	bolt DIN603 M10x60
2	bolt DIN603 M10x70
3	nut cover M10
4	nut DIN985 M10
5	nut cover cap M10
6	wood screw DIN571 10x100
7	bolt DIN603 M10x45
8	domed cap nut DIN1587 M10

UNLESS OTHERWISE SPECIFIED:  
DIMENSIONS ARE IN MILLIMETERS  
WEIGHT ARE IN KILOGRAMM

	NAME	SIGNATURE	DATE	REVISION
DRAWN	M.Rebase		21.07.2014	
APPV'D				

PART NUMBER / DWG NO.:  
**LM102**

DESCRIPTION:  
**Play Centre JOHANNA**  
connecting stairs to post and platform



**Tiptap** OÜ

Tiptap OÜ  
Veetorni 9,  
Jüri alevik, Rae vald,  
75301 Harjumaa

MATERIAL: wood, metal, plastic

A4

WEIGHT: SCALE: 1:15 SHEET 10 OF 16

A

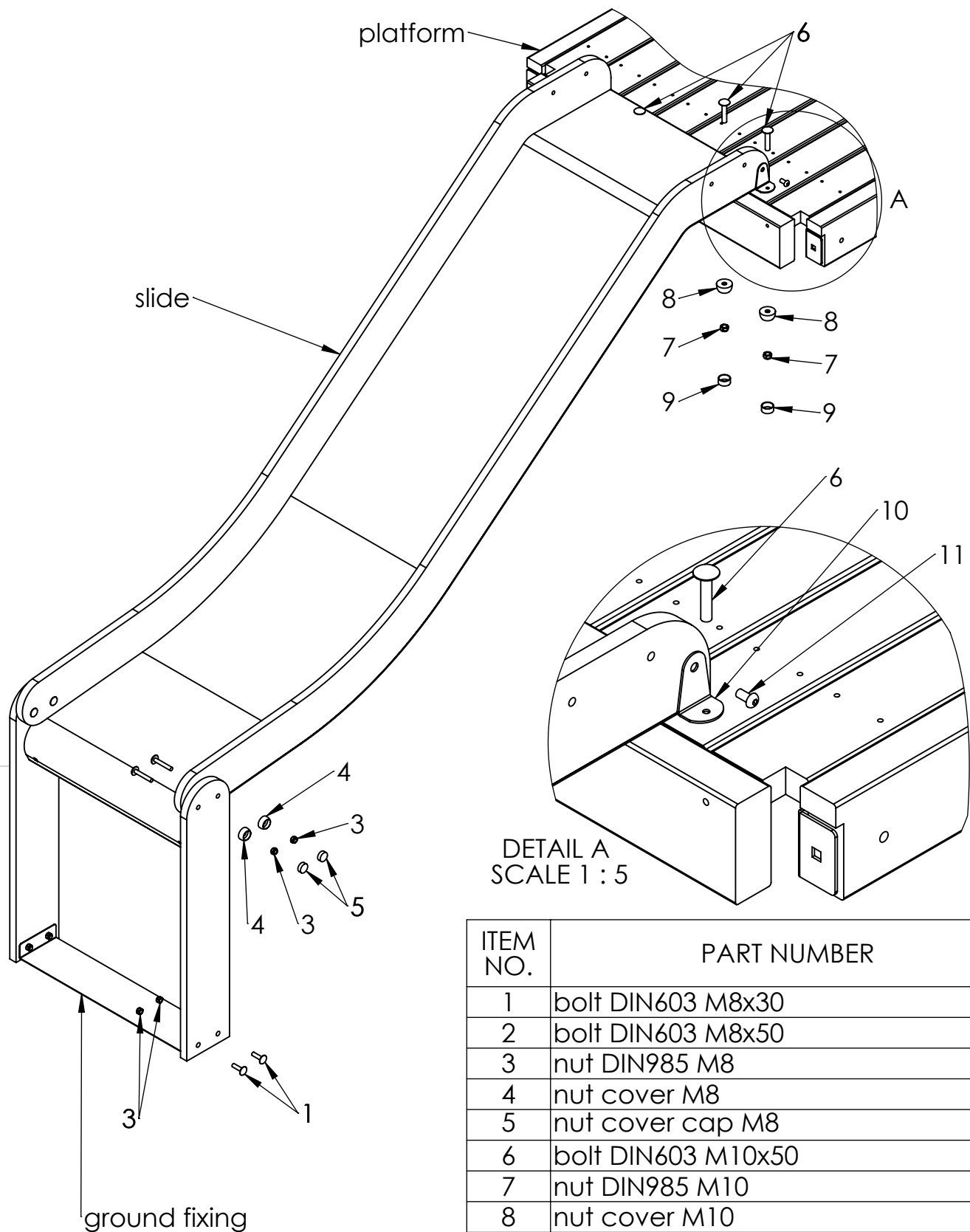
B

C

D

E

F



DETAIL A  
SCALE 1 : 5

ITEM NO.	PART NUMBER
1	bolt DIN603 M8x30
2	bolt DIN603 M8x50
3	nut DIN985 M8
4	nut cover M8
5	nut cover cap M8
6	bolt DIN603 M10x50
7	nut DIN985 M10
8	nut cover M10
9	nut cover cap M10
10	corner 58x30
11	metal screw DIN 7380 M8x16

UNLESS OTHERWISE SPECIFIED:  
DIMENSIONS ARE IN MILLIMETERS  
WEIGHT ARE IN KILOGRAMM

	NAME	SIGNATURE	DATE	REVISION
DRAWN	M.Rebase		21.07.2014	
APPV'D				

PART NUMBER / DWG NO.:

LM102

DESCRIPTION:

Play Centre JOHANNA

MATERIAL:

wood, metal, plastic

A4

WEIGHT:

SCALE: 1:12

SHEET 11 OF 16



**Tiptaptap** OÜ

Tiptaptap OÜ  
Veetorni 9,  
Jüri alevik, Rae vald,  
75301 Harjumaa

A

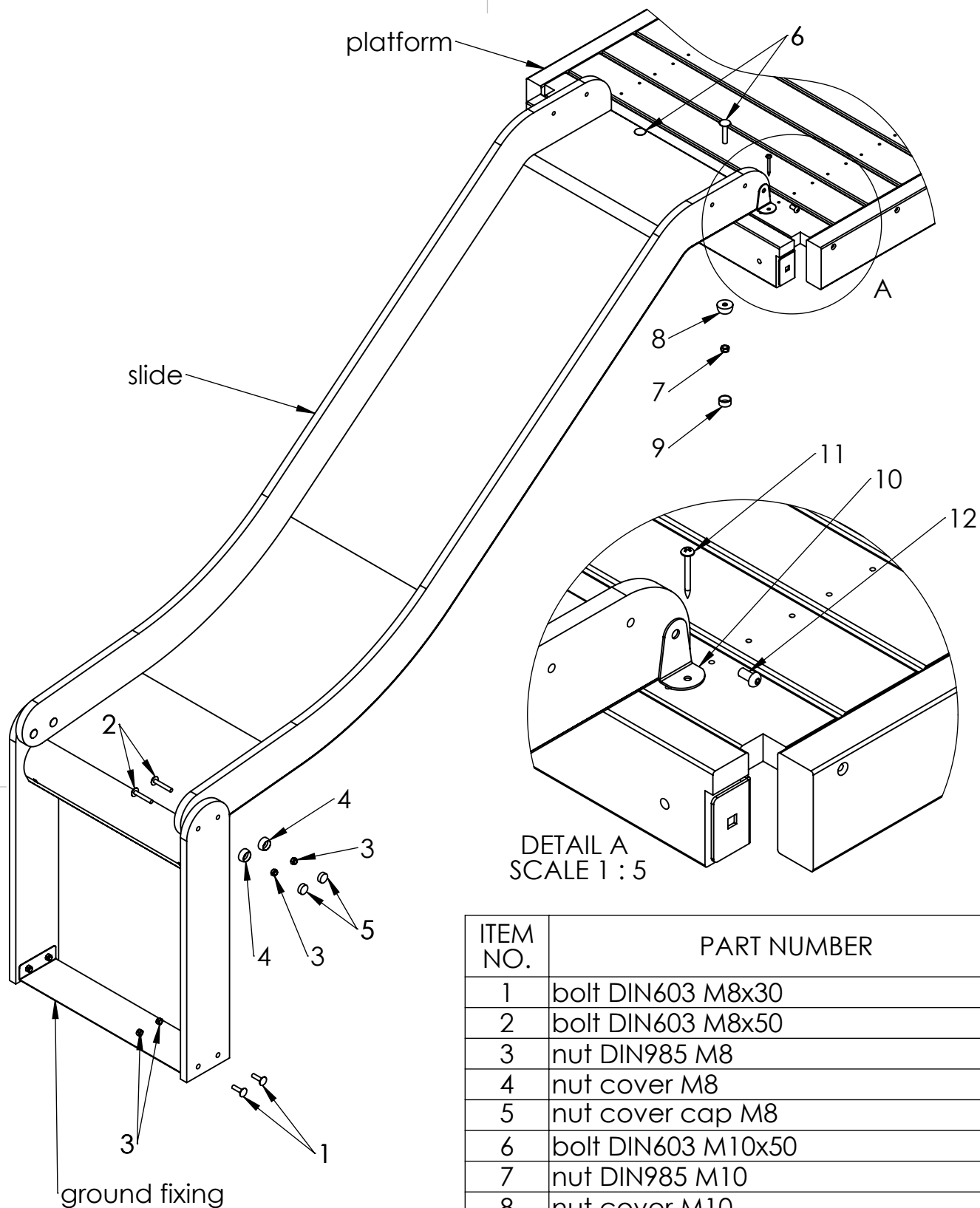
B

C

D

E

F



DETAIL A  
SCALE 1 : 5

ITEM NO.	PART NUMBER
1	bolt DIN603 M8x30
2	bolt DIN603 M8x50
3	nut DIN985 M8
4	nut cover M8
5	nut cover cap M8
6	bolt DIN603 M10x50
7	nut DIN985 M10
8	nut cover M10
9	nut cover cap M10
10	corner 58x30
11	screw DIN 7996 d.6x50
12	metal screw DIN 7380 M8x16

UNLESS OTHERWISE SPECIFIED:  
DIMENSIONS ARE IN MILLIMETERS  
WEIGHT ARE IN KILOGRAMM

	NAME	SIGNATURE	DATE	REVISION
DRAWN	M.Rebase		21.07.2014	
APPV'D				

PART NUMBER / DWG NO.:

LM102

DESCRIPTION:

Play Centre JOHANNA  
connecting slide to platform

MATERIAL:

wood, metal, plastic

A4

WEIGHT:

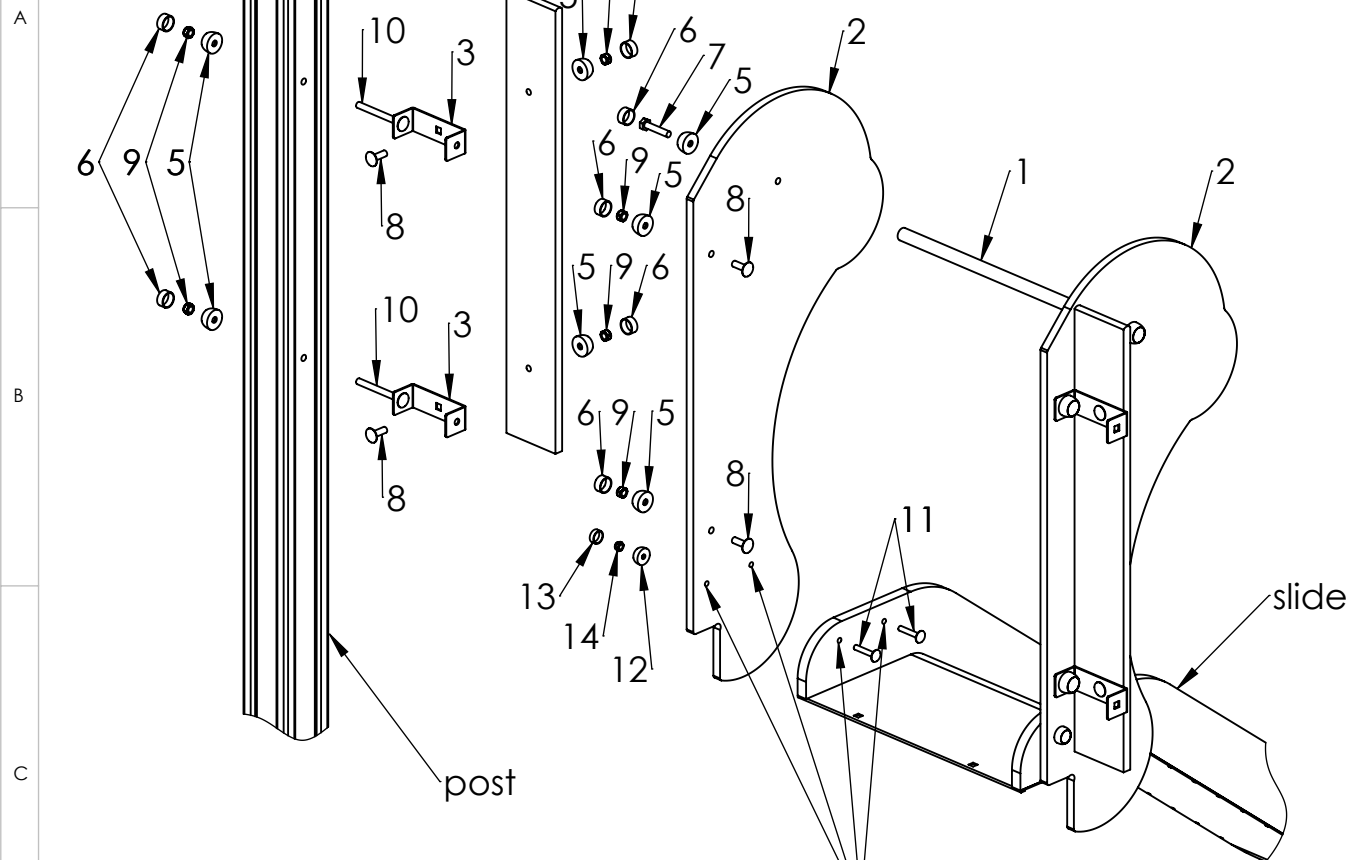
SCALE: 1:12

SHEET 12 OF 16



**Tiptiptap** OÜ

Tiptiptap OÜ  
Veetorni 9,  
Jüri alevik, Rae vald,  
75301 Harjumaa



It is important to drill 8,5mm holes through side panel and slide.

ITEM NO.	PART NUMBER
1	slide guardrail
2	slide side panel
3	slide side panel fixing 40x120
4	side panel 110x780
5	nut cover M10
6	nut cover cap M10
7	bolt DIN931 M10x50
8	bolt DIN603 M10x30
9	nut DIN985 M10
10	bolt DIN603 M10x100
11	bolt DIN603 M8x45
12	nut cover M8
13	nut cover cap M8
14	nut DIN985 M8

UNLESS OTHERWISE SPECIFIED:  
DIMENSIONS ARE IN MILLIMETERS  
WEIGHT ARE IN KILOGRAMM

PART NUMBER / DWG NO.:

LM102

	NAME	SIGNATURE	DATE	REVISION
DRAWN	M.Rebase		21.07.2014	
APPV'D				

DESCRIPTION:

Play Centre JOHANNA

MATERIAL:

wood, metal, plastic

A4

WEIGHT:

SCALE: 1:12

SHEET 13 OF 16

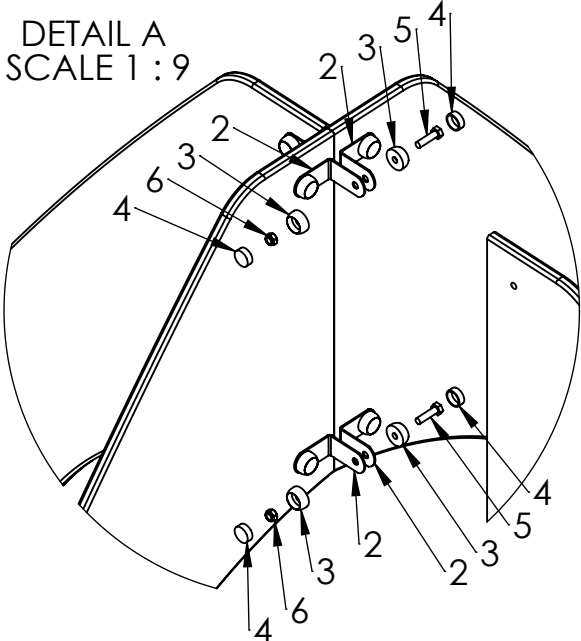


**Tiptap** OÜ

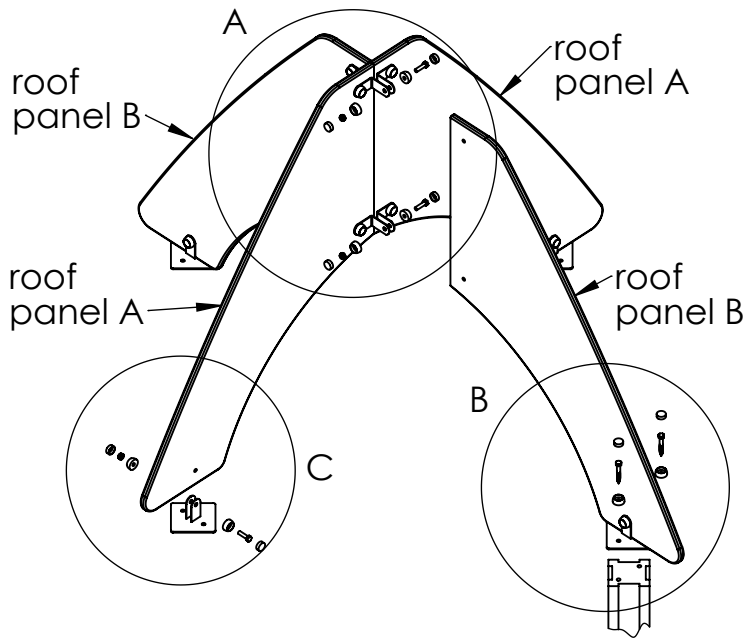
Tiptap OÜ  
Veetorni 9,  
Jüri alevik, Rae vald,  
75301 Harjumaa

A

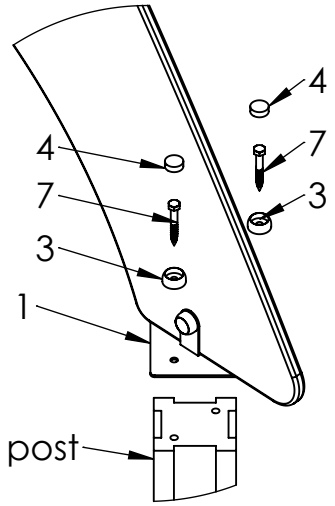
DETAIL A  
SCALE 1 : 9



B

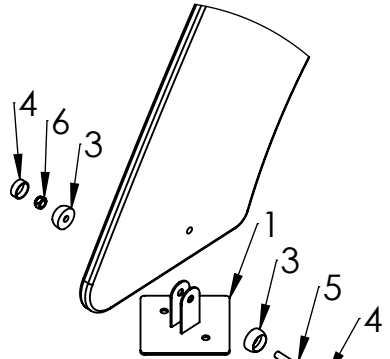


C



DETAIL B  
SCALE 1 : 9

D



DETAIL C  
SCALE 1 : 9

E

ITEM NO.	PART NUMBER
1	roof fixture
2	corner 60x60
3	nut cover M8
4	nut cover cap M8
5	bolt DIN933 M8x30
6	nut DIN985 M8
7	wood screw DIN571 8x60

F

UNLESS OTHERWISE SPECIFIED:  
DIMENSIONS ARE IN MILLIMETERS  
WEIGHT ARE IN KILOGRAMM

NAME	SIGNATURE	DATE	REVISION
DRAWN M.Rebase		21.07.2014	
APPV'D			

**Tiptiptap** OÜ  
Veetorni 9,  
Jüri alevik, Rae vald,  
75301 Harjumaa

PART NUMBER / DWG NO.:  
**LM102**

DESCRIPTION:  
**Play Centre JOHANNA  
connecting roof to post**

MATERIAL:  
wood, metal, plastic

WEIGHT:

SCALE: 1:18

SHEET 14 OF 16



A

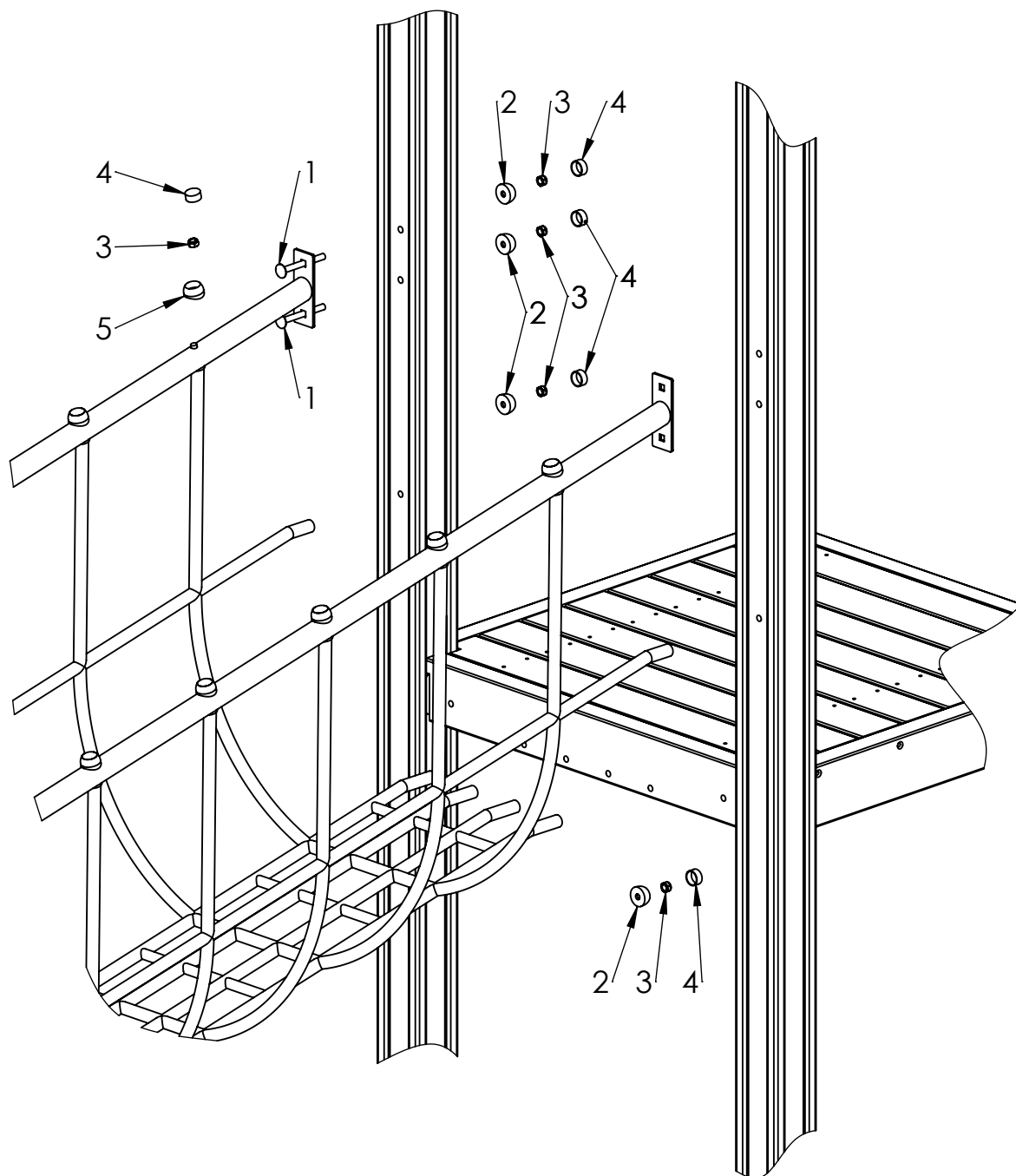
B

C

D

E

F



ITEM NO.	PART NUMBER
1	bolt DIN603 M10x100
2	nut cover M10
3	nut DIN985 M10
4	nut cover cap M10
5	nut cover for beam M10

UNLESS OTHERWISE SPECIFIED:  
DIMENSIONS ARE IN MILLIMETERS  
WEIGHT ARE IN KILOGRAMM

	NAME	SIGNATURE	DATE	REVISION
DRAWN	M.Rebase		21.07.2014	
APPV'D				

PART NUMBER / DWG NO.:

LM102

DESCRIPTION:

Play Centre JOHANNA  
connecting bridge to post and platform

MATERIAL:

wood, metal, plastic

A4

WEIGHT:

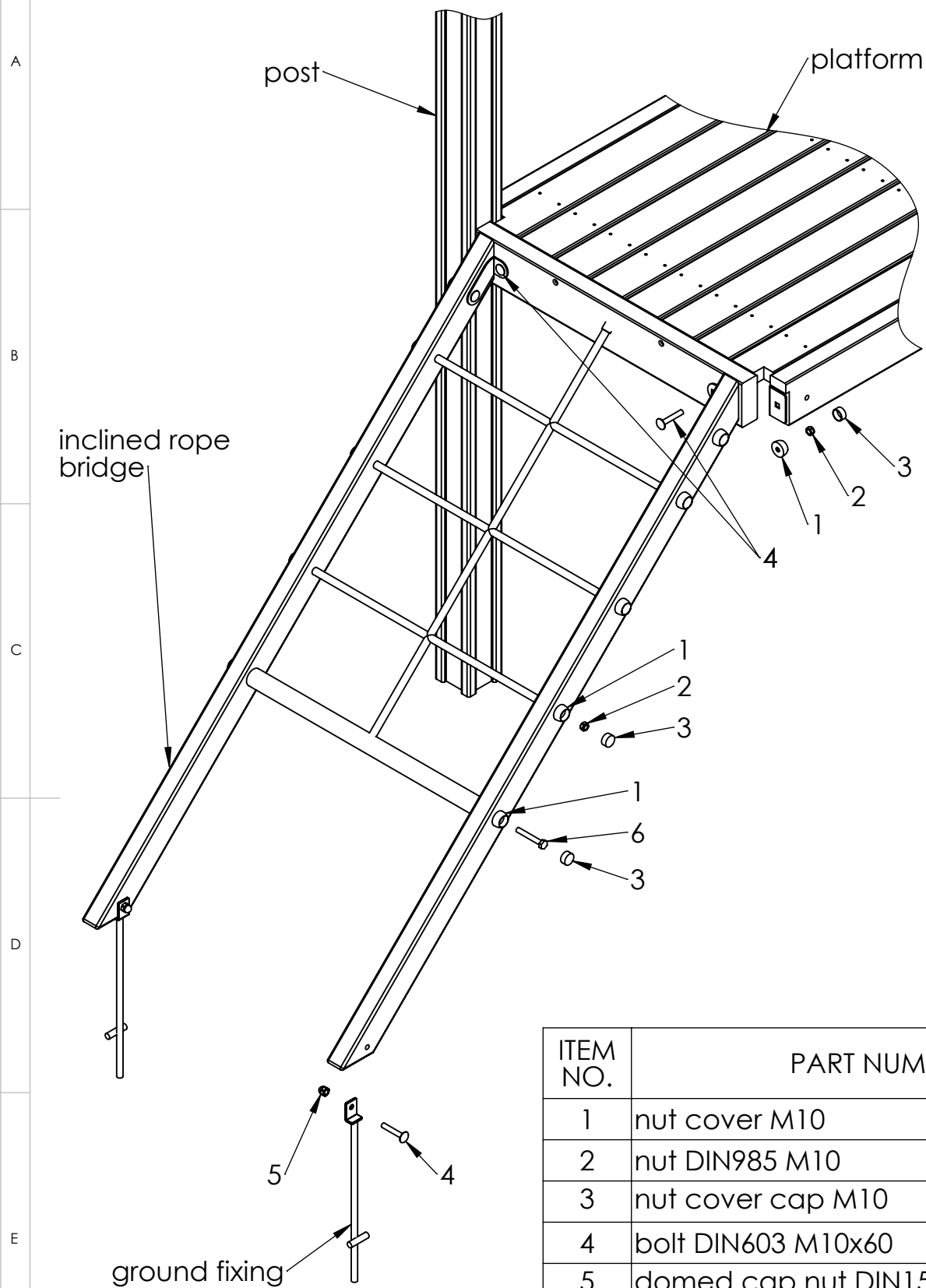
SCALE: 1:11

SHEET 15 OF 16



**Tiptaptap** OÜ

Tiptaptap OÜ  
Veetorni 9,  
Jüri alevik, Rae vald,  
75301 Harjumaa



ITEM NO.	PART NUMBER
1	nut cover M10
2	nut DIN985 M10
3	nut cover cap M10
4	bolt DIN603 M10x60
5	domed cap nut DIN1587 M10
6	bolt DIN931 M10x70
7	bolt DIN603 M10x50

UNLESS OTHERWISE SPECIFIED:  
DIMENSIONS ARE IN MILLIMETERS  
WEIGHT ARE IN KILOGRAMM

PART NUMBER / DWG NO.:

LM102

	NAME	SIGNATURE	DATE	REVISION
DRAWN	M.Rebase		21.07.2014	
APPV'D				

DESCRIPTION:

Play Centre JOHANNA  
connecting inclined rope bridge to platform

MATERIAL:

wood, metal, plastic

A4

WEIGHT:

SCALE: 1:12

SHEET 16 OF 16



**Tiptiptap** OÜ

Tiptiptap OÜ  
Veetorni 9,  
Jüri alevik, Rae vald,  
75301 Harjumaa