

A

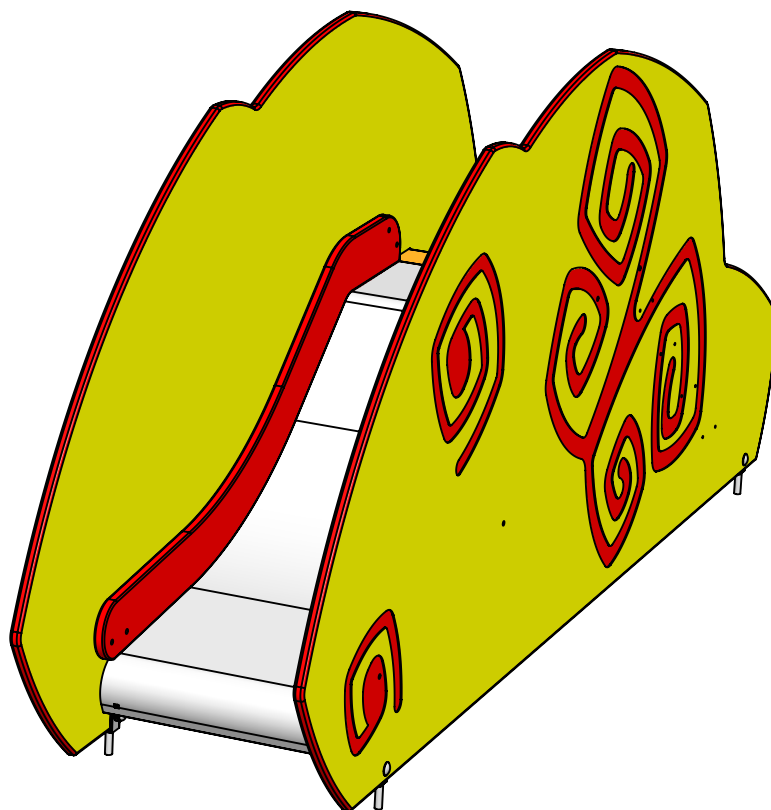
B

C

D

E

F



UNLESS OTHERWISE SPECIFIED:
DIMENSIONS ARE IN MILLIMETERS
WEIGHT ARE IN KILOGRAMM

PART NUMBER / DWG NO.:

LM021

	NAME	SIGNATURE	DATE	REVISION
DRAWN	M.Rebase		09.08.2013	
APPV'D				

DESCRIPTION:

Slide BEAVER



Tiptaptap OÜ

Tiptaptap OÜ
Veetorni 9,
Jüri alevik, Rae vald,
75301 Harjumaa

MATERIAL:

wood, metal, plastic

A4

WEIGHT:

SCALE: 1:12

SHEET 1 OF 7

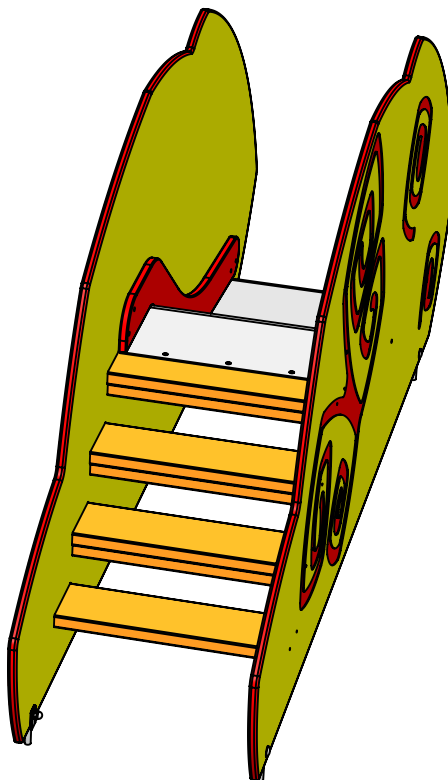
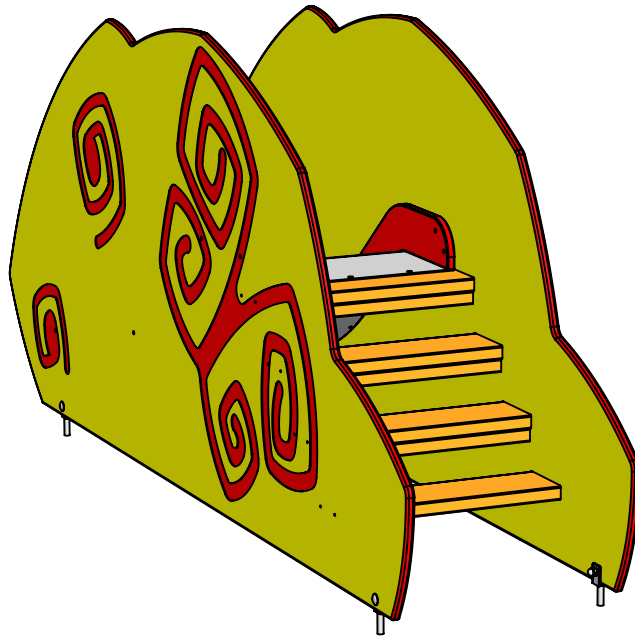
A

B

C

D

E



UNLESS OTHERWISE SPECIFIED:
 DIMENSIONS ARE IN MILLIMETERS
 WEIGHT ARE IN KILOGRAMM

PART NUMBER / DWG NO.:

LM021

	NAME	SIGNATURE	DATE	REVISION
DRAWN	M.Rebase		09.08.2013	
APPV'D				

DESCRIPTION:

Slide BEAVER

F



Tiptaptap OÜ

Tiptaptap OÜ
 Veetorni 9,
 Jüri alevik, Rae vald,
 75301 Harjumaa

MATERIAL:

wood, metal, plastic

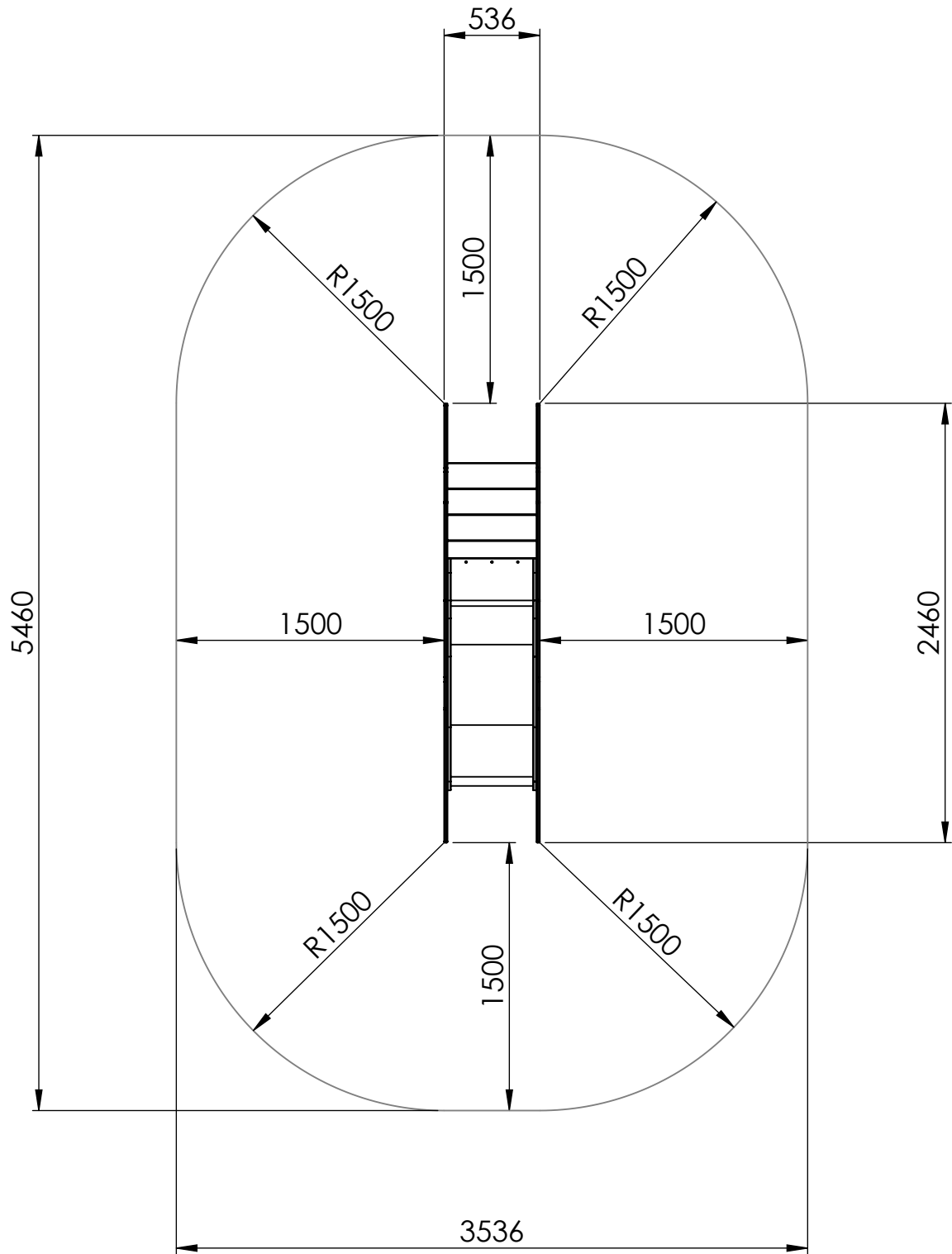
A4

WEIGHT:

SCALE: 1:15

SHEET 2 OF 7

safety area



UNLESS OTHERWISE SPECIFIED:
DIMENSIONS ARE IN MILLIMETERS
WEIGHT ARE IN KILOGRAMM

PART NUMBER / DWG NO.:

LM021

	NAME	SIGNATURE	DATE	REVISION
DRAWN	M.Rebase		09.08.2013	
APPV'D				

DESCRIPTION:

Slide BEAVER



Tiptap OÜ

Tiptap OÜ
Veetorni 9,
Jüri alevik, Rae vald,
75301 Harjumaa

MATERIAL:

wood, metal, plastic

A4

WEIGHT:

SCALE: 1:35

SHEET 3 OF 7

foundation

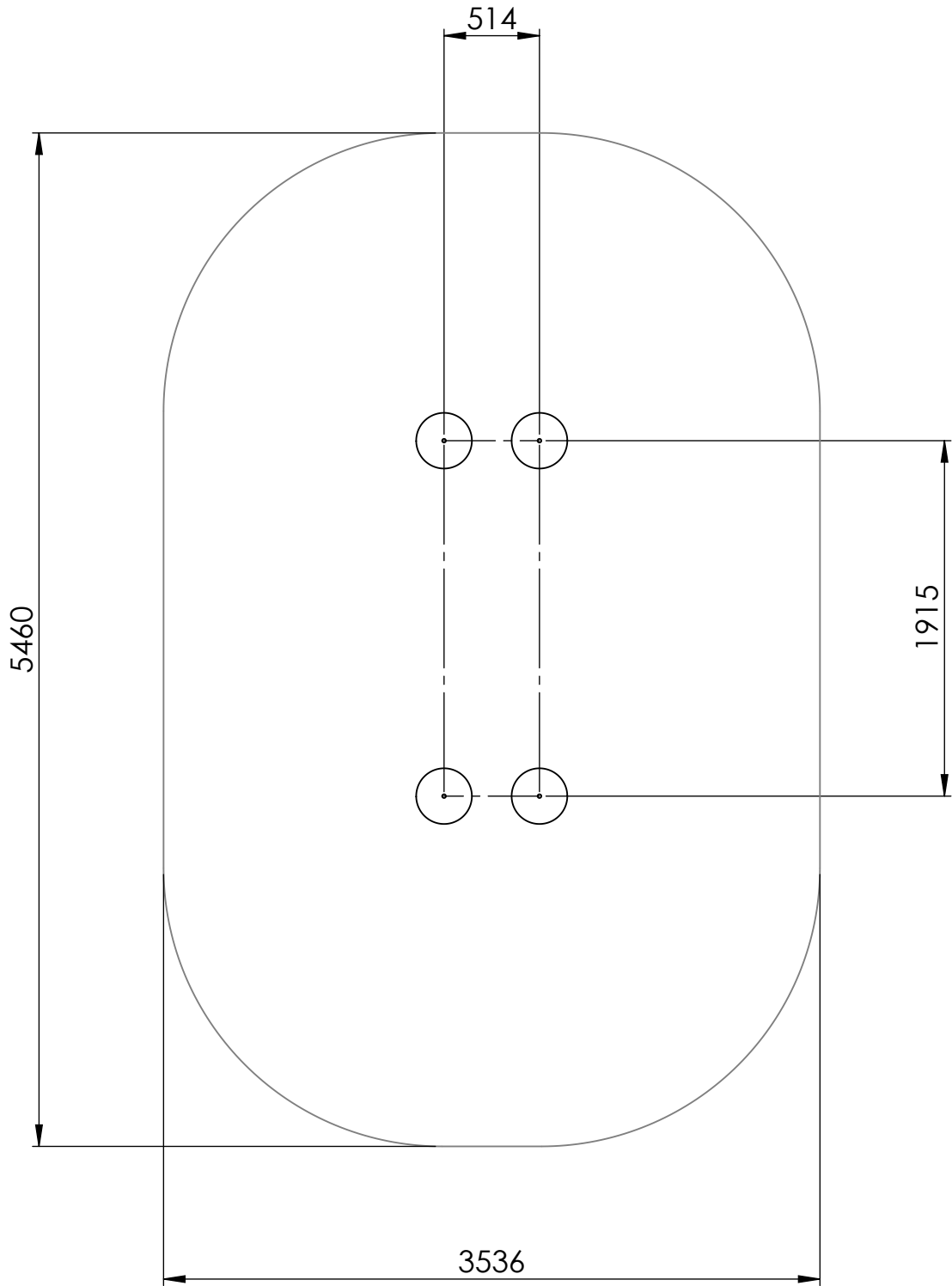
A

B

C

D

E



UNLESS OTHERWISE SPECIFIED:
DIMENSIONS ARE IN MILLIMETERS
WEIGHT ARE IN KILOGRAMM

PART NUMBER / DWG NO.:

LM021

	NAME	SIGNATURE	DATE	REVISION
DRAWN	M.Rebase		09.08.2013	
APPV'D				

DESCRIPTION:

Slide BEAVER

F



Tiptap OÜ

Tiptap OÜ
Veetorni 9,
Jüri alevik, Rae vald,
75301 Harjumaa

MATERIAL:

wood, metal, plastic

A4

WEIGHT:

SCALE: 1:35

SHEET 4 OF 7

1

2

3

4

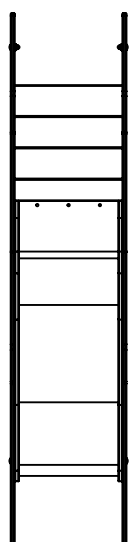
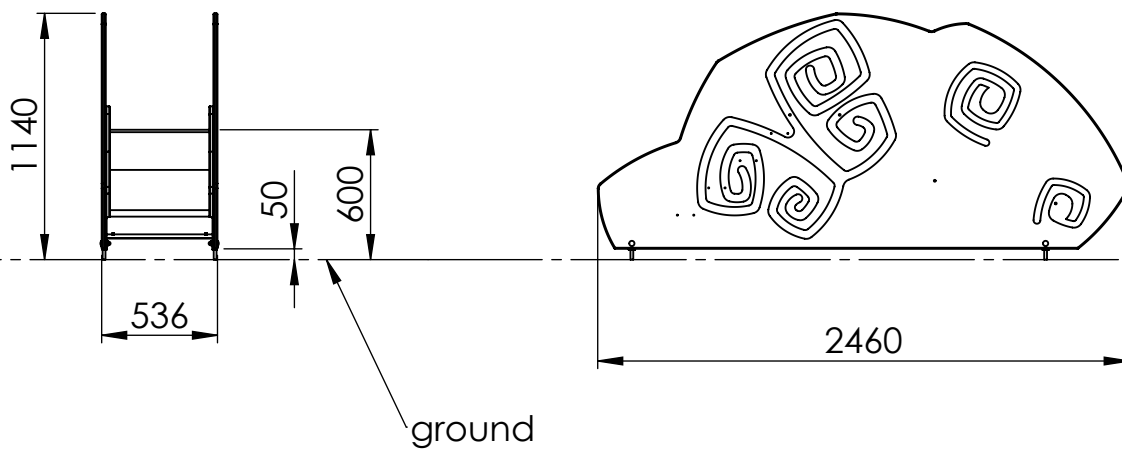
A

B

C

D

E



UNLESS OTHERWISE SPECIFIED:
DIMENSIONS ARE IN MILLIMETERS
WEIGHT ARE IN KILOGRAMM

PART NUMBER / DWG NO.:

LM021

	NAME	SIGNATURE	DATE	REVISION
DRAWN	M.Rebase		09.08.2013	
APPV'D				

DESCRIPTION:

Slide BEAVER

F



Tiptaptap OÜ

Tiptaptap OÜ
Veetorni 9,
Jüri alevik, Rae vald,
75301 Harjumaa

MATERIAL:

wood, metal, plastic

A4

WEIGHT:

SCALE: 1:35

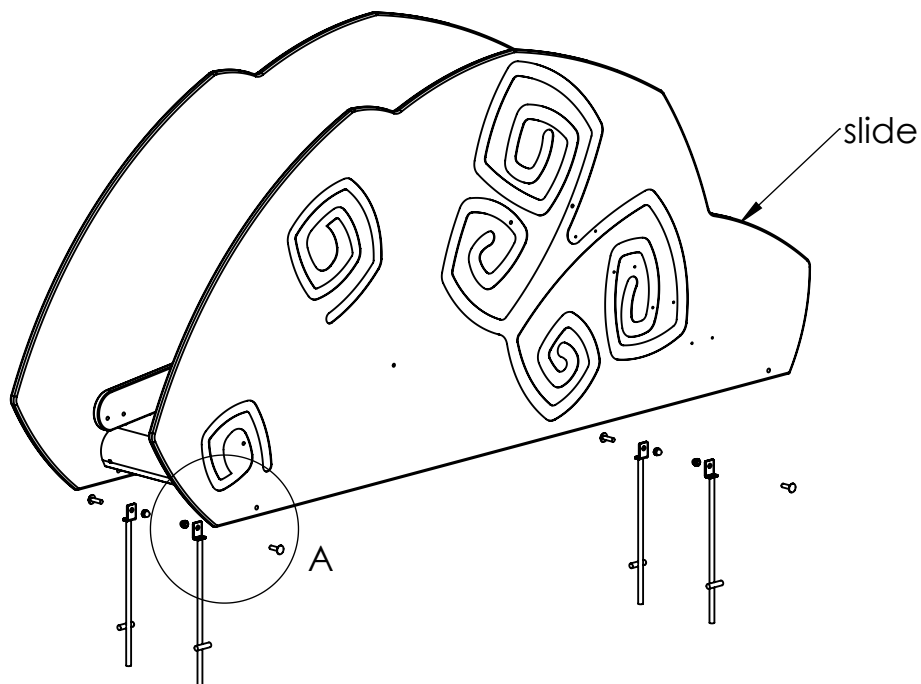
SHEET 5 OF 7

A

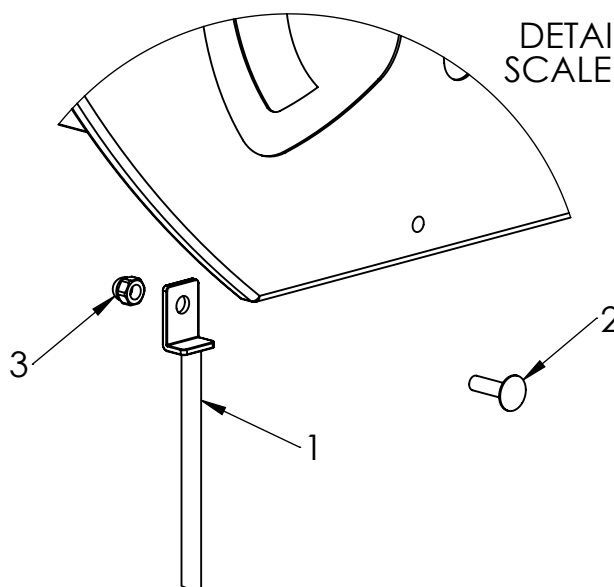
B

C

D



DETAIL A
SCALE 1 : 5



E

ITEM NO.	PART NUMBER	DESCRIPTION	QTY.
1	Ground fixture L-shape	galvanized steel	4
2	bolt DIN603 M10x35	galvanized steel	4
3	domed cap nut DIN1587 M10	galvanized steel	4

F

UNLESS OTHERWISE SPECIFIED:
DIMENSIONS ARE IN MILLIMETERS
WEIGHT ARE IN KILOGRAMM

	NAME	SIGNATURE	DATE	REVISION
DRAWN	M.Rebase		09.08.2013	
APPV'D				

PART NUMBER / DWG NO.:

LM021

DESCRIPTION:

Slide BEAVER

MATERIAL:

wood, metal, plastic

A4

WEIGHT:

SCALE: 1:20

SHEET 6 OF 7



Tiptiptap OÜ

Tiptiptap OÜ
Veetorni 9,
Jüri alevik, Rae vald,
75301 Harjumaa

A

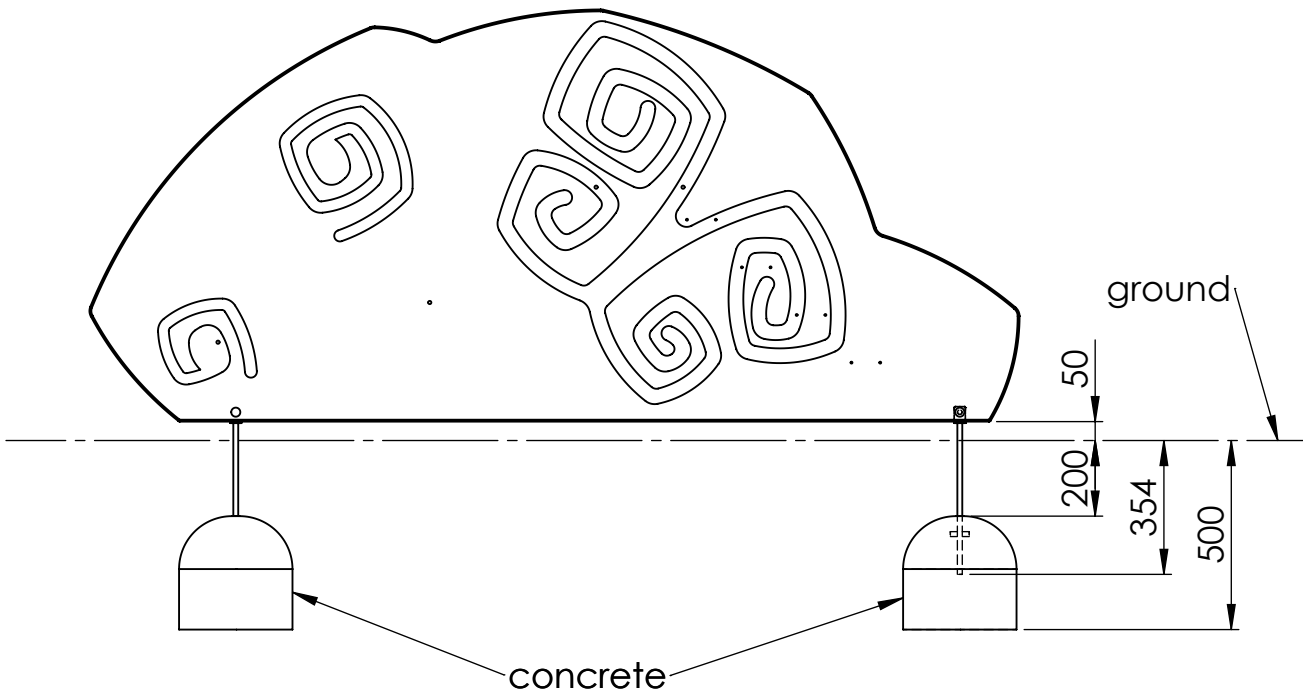
B

C

D

E

F



UNLESS OTHERWISE SPECIFIED: DIMENSIONS ARE IN MILLIMETERS WEIGHT ARE IN KILOGRAMM				
	NAME	SIGNATURE	DATE	REVISION
DRAWN	M.Rebase		09.08.2013	
APPV'D				

PART NUMBER / DWG NO.:	LM021
DESCRIPTION:	Slide BEAVER


Tiptaptap OÜ
 Veetorni 9,
 Jüri alevik, Rae vald,
 75301 Harjumaa

MATERIAL:	wood, metal, plastic	A4
WEIGHT:	SCALE: 1:20	SHEET 7 OF 7