

A

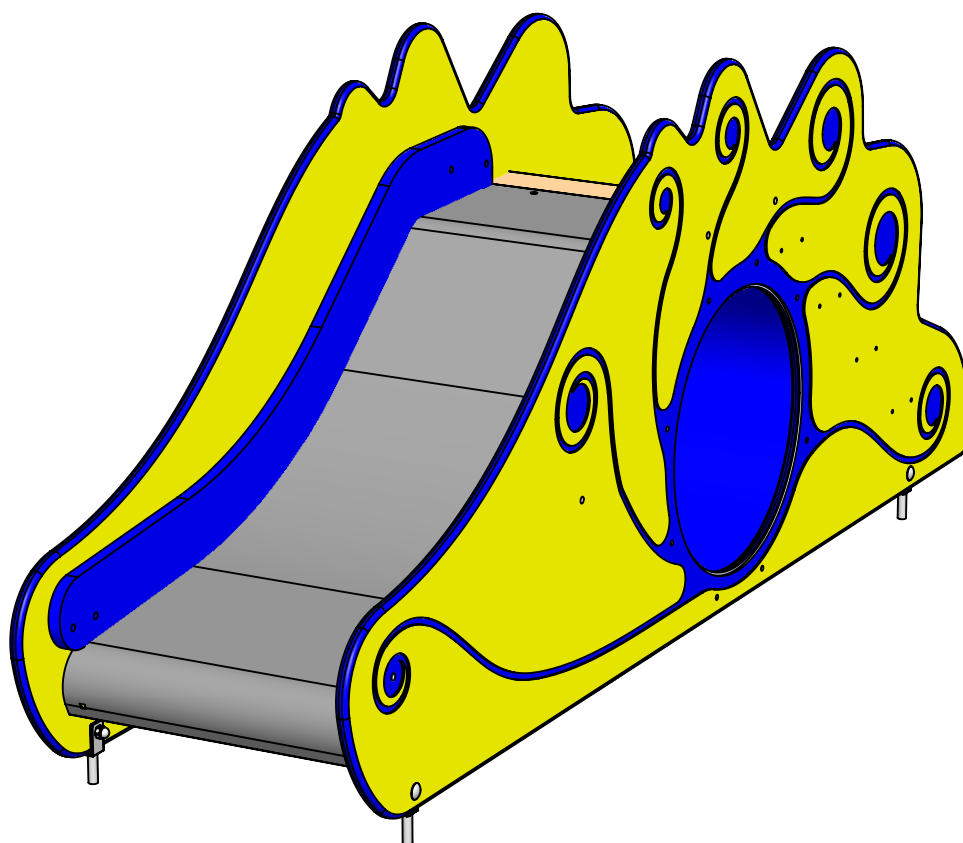
B

C

D

E

F



UNLESS OTHERWISE SPECIFIED:  
DIMENSIONS ARE IN MILLIMETERS  
WEIGHT ARE IN KILOGRAMM

PART NUMBER / DWG NO.:

LM020

	NAME	SIGNATURE	DATE	REVISION
DRAWN	M.Rebase		8.04.2013	
APPV'D				

DESCRIPTION:

slide SHELL



**Tiptaptap** OÜ

Tiptaptap OÜ  
Veetorni 9,  
Jüri alevik, Rae vald,  
75301 Harjumaa

MATERIAL:

wood, metal, plastic

A4

WEIGHT:

SCALE: 1:10

SHEET 1 OF 5

# safety area

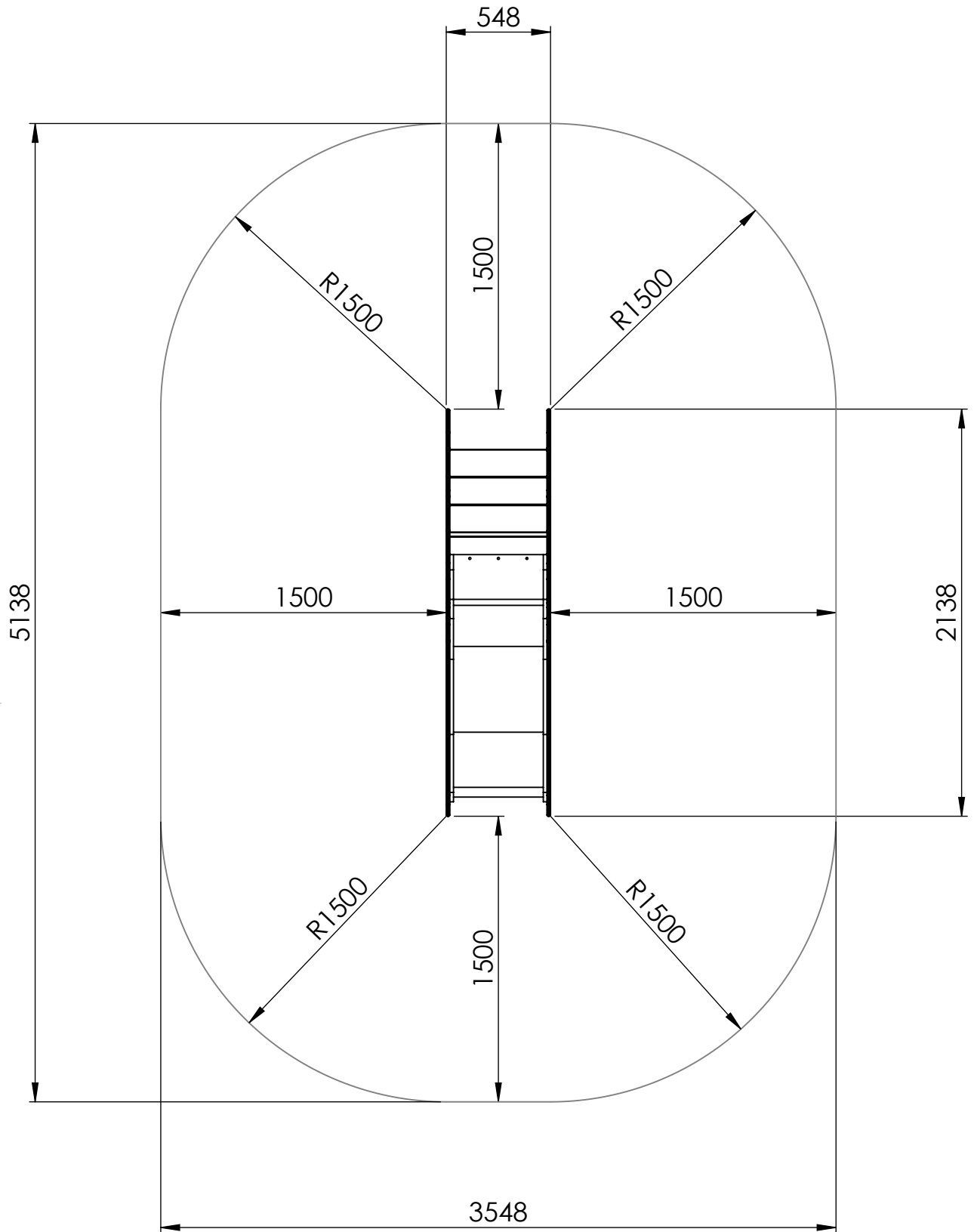
A

B

C

D

E



UNLESS OTHERWISE SPECIFIED:  
DIMENSIONS ARE IN MILLIMETERS  
WEIGHT ARE IN KILOGRAMM

PART NUMBER / DWG NO.:

LM020

	NAME	SIGNATURE	DATE	REVISION
DRAWN	M.Rebase		8.04.2013	
APPV'D				

DESCRIPTION:

slide SHELL

F



**Tiptap** OÜ

Tiptap OÜ  
Veetorni 9,  
Jüri alevik, Rae vald,  
75301 Harjumaa

MATERIAL:

wood, metal, plastic

A4

WEIGHT:

SCALE: 1:30

SHEET 2 OF 5

# foundation

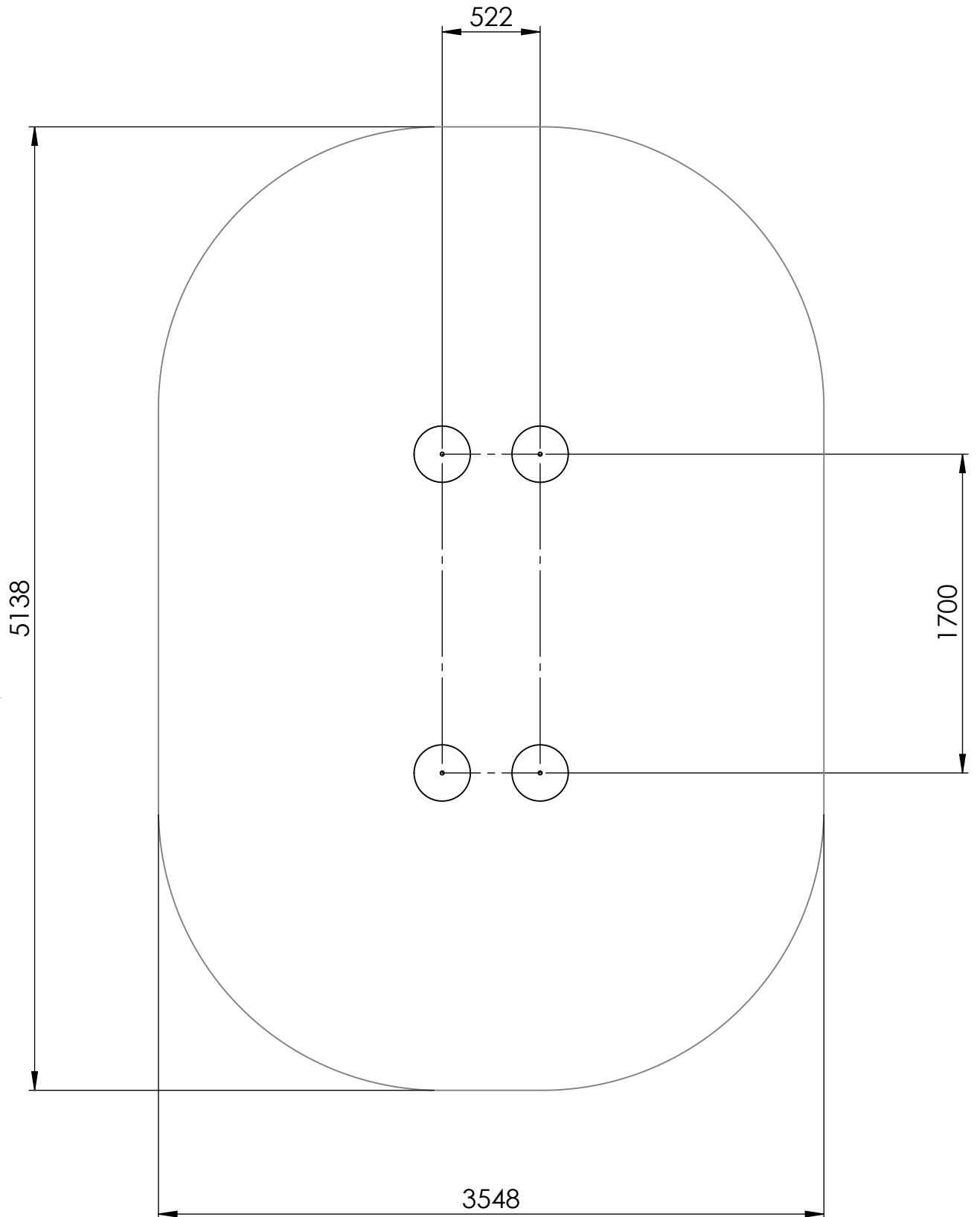
A

B

C

D

E



UNLESS OTHERWISE SPECIFIED:  
DIMENSIONS ARE IN MILLIMETERS  
WEIGHT ARE IN KILOGRAMM

PART NUMBER / DWG NO.:

LM020

	NAME	SIGNATURE	DATE	REVISION
DRAWN	M.Rebase		8.04.2013	
APPV'D				

DESCRIPTION:

slide SHELL

F



**Tiptaptap** OÜ

Tiptaptap OÜ  
Veetorni 9,  
Jüri alevik, Rae vald,  
75301 Harjumaa

MATERIAL:

wood, metal, plastic

A4

WEIGHT:

SCALE: 1:30

SHEET 3 OF 5

1

2

3

4

A

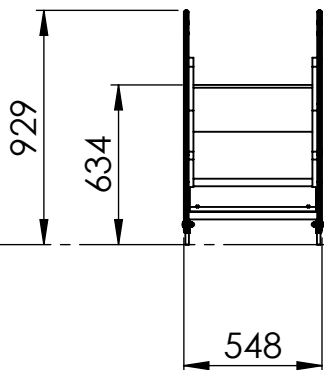
B

C

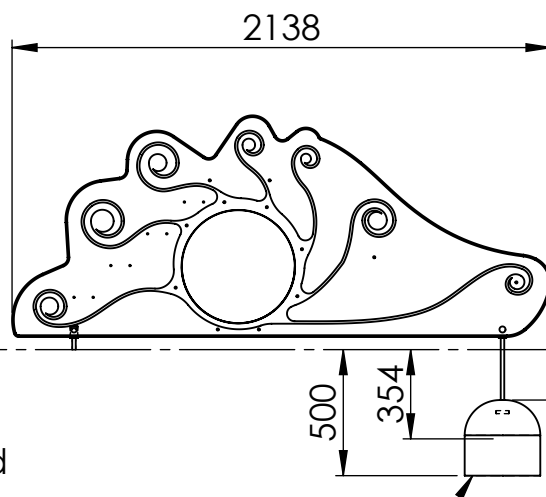
D

E

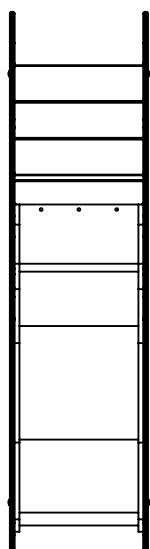
F



ground



concrete



UNLESS OTHERWISE SPECIFIED:  
DIMENSIONS ARE IN MILLIMETERS  
WEIGHT ARE IN KILOGRAMM

PART NUMBER / DWG NO.:

LM020

	NAME	SIGNATURE	DATE	REVISION
DRAWN	M.Rebase		8.04.2013	
APPV'D				

DESCRIPTION:

slide SHELL



**Tiptap** OÜ

Tiptap OÜ  
Veetorni 9,  
Jüri alevik, Rae vald,  
75301 Harjumaa

MATERIAL:

wood, metal, plastic

A4

WEIGHT:

SCALE: 1:30

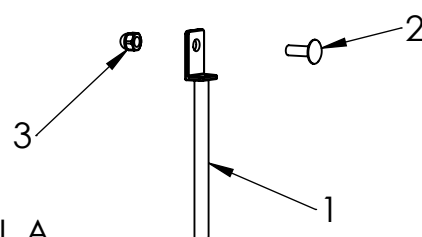
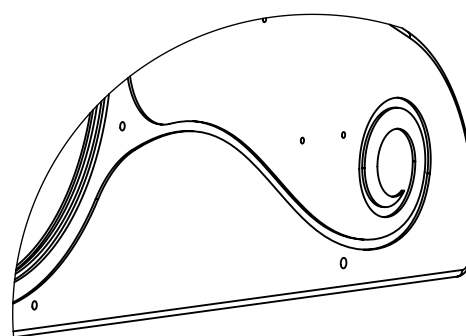
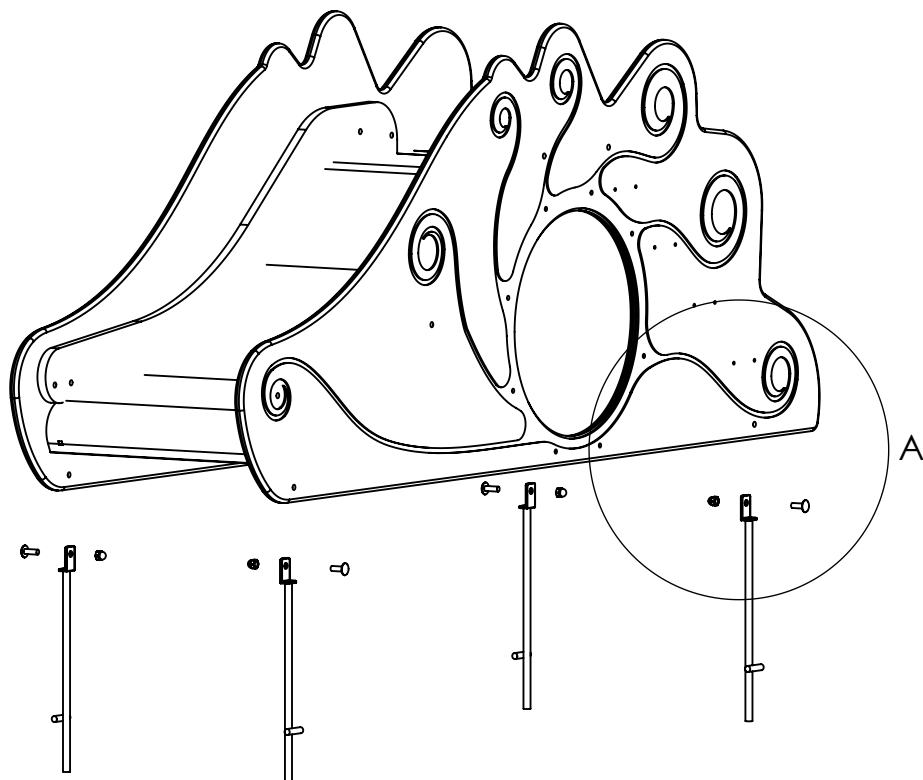
SHEET 4 OF 5

A

B

C

D



DETAIL A  
SCALE 2 : 15

E

ITEM NO.	PART NUMBER	DESCRIPTION	QTY.
1	Ground fixture L-shape		4
2	bolt DIN603 M10x30	galvanized steel	4
3	domed cap nut DIN1587 M10	galvanized steel	4

F

UNLESS OTHERWISE SPECIFIED:  
DIMENSIONS ARE IN MILLIMETERS  
WEIGHT ARE IN KILOGRAMM

	NAME	SIGNATURE	DATE	REVISION
DRAWN	M.Rebase		8.04.2013	
APPV'D				

PART NUMBER / DWG NO.:

LM020

DESCRIPTION:

slide SHELL

MATERIAL:

wood, metal, plastic

A4

WEIGHT:

SCALE: 1:15

SHEET 5 OF 5



**Tiptap** OÜ

Tiptap OÜ  
Veetorni 9,  
Jüri alevik, Rae vald,  
75301 Harjumaa