

A

B

C

D

E

F



UNLESS OTHERWISE SPECIFIED:  
DIMENSIONS ARE IN MILLIMETERS  
WEIGHT ARE IN KILOGRAMM

PART NUMBER / DWG NO.:

LM013

	NAME	SIGNATURE	DATE	REVISION
DRAWN	M. Rebase		30.03.2015	
APPV'D				

DESCRIPTION:

Slide SAM



**Tiptaptap** OÜ

Tiptaptap OÜ  
Veetorni 9,  
Jüri alevik, Rae vald,  
75301 Harjumaa

MATERIAL:

wood, metal, plastic

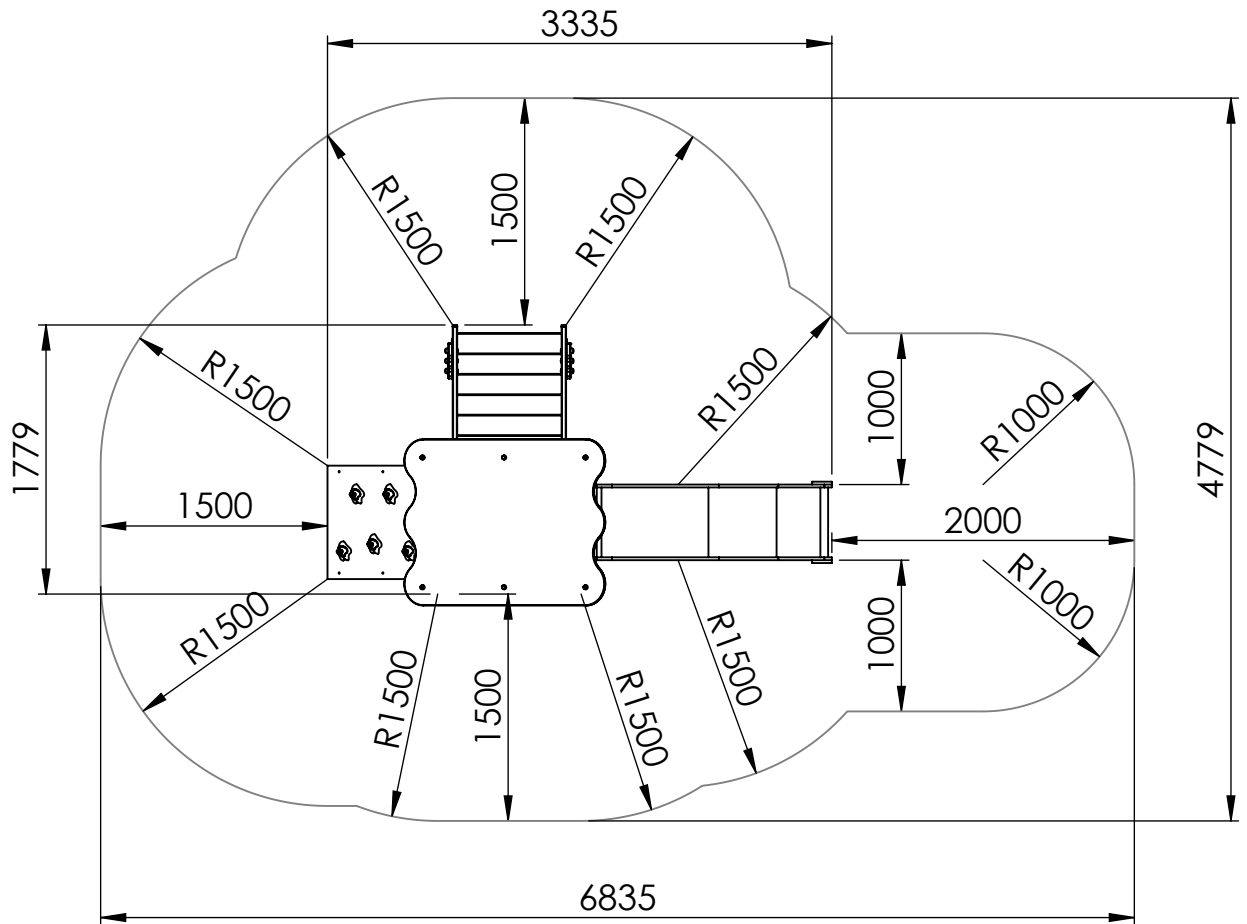
A4

WEIGHT:

SCALE: 1:25

SHEET 1 OF 14

# safety area



UNLESS OTHERWISE SPECIFIED:  
DIMENSIONS ARE IN MILLIMETERS  
WEIGHT ARE IN KILOGRAMM

PART NUMBER / DWG NO.:

LM013

	NAME	SIGNATURE	DATE	REVISION
DRAWN	M. Rebase		30.03.2015	
APPV'D				

DESCRIPTION:

Slide SAM



**Tiptaptap** OÜ

Tiptaptap OÜ  
Veetorni 9,  
Jüri alevik, Rae vald,  
75301 Harjumaa

MATERIAL:

wood, metal, plastic

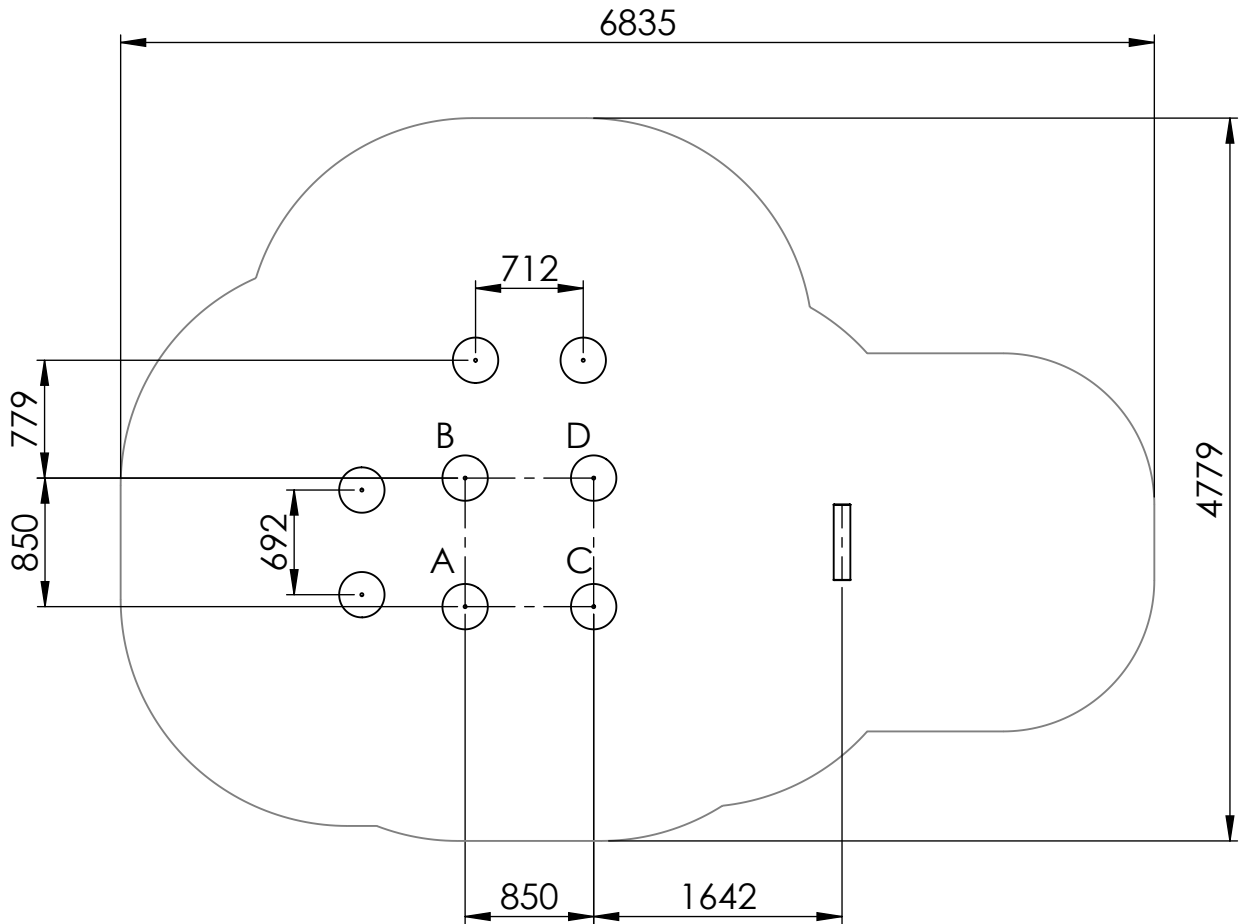
A4

WEIGHT:

SCALE: 1:25

SHEET 2 OF 14

# foundation



depth of foundation 500mm

UNLESS OTHERWISE SPECIFIED:  
DIMENSIONS ARE IN MILLIMETERS  
WEIGHT ARE IN KILOGRAMM

PART NUMBER / DWG NO.:

LM013

	NAME	SIGNATURE	DATE	REVISION
DRAWN	M. Rebase		30.03.2015	
APPV'D				

DESCRIPTION:

Slide SAM



**Tiptaptap** OÜ

Tiptaptap OÜ  
Veetorni 9,  
Jüri alevik, Rae vald,  
75301 Harjumaa

MATERIAL:

wood, metal, plastic

A4

WEIGHT:

SCALE: 1:25

SHEET 3 OF 14

A

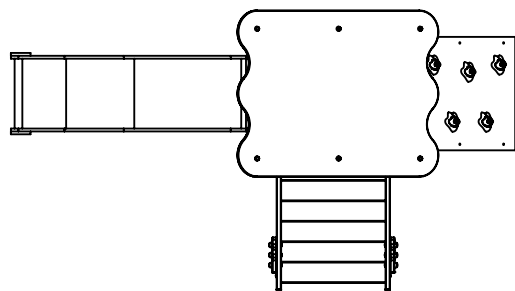
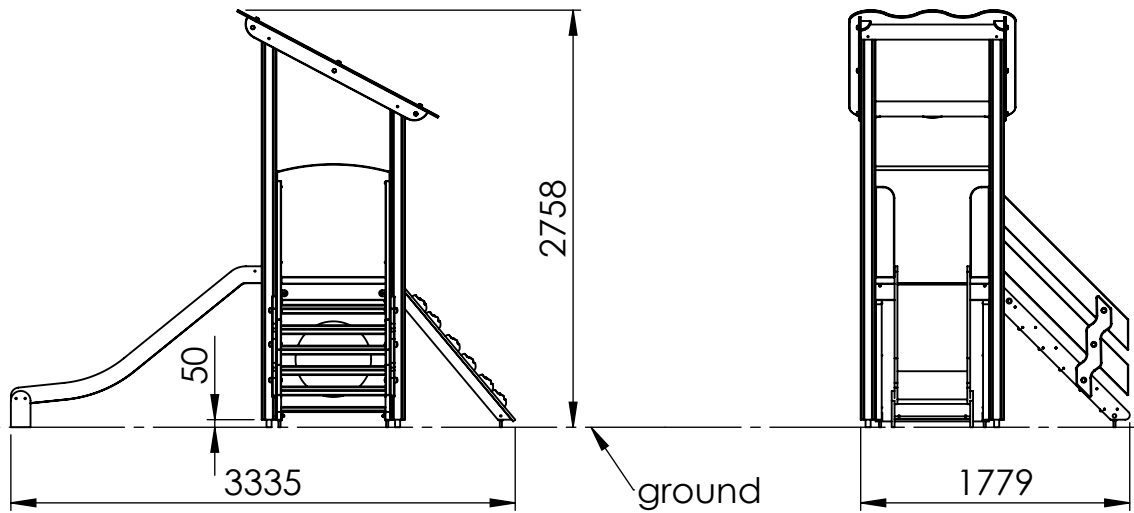
B

C

D

E

F



UNLESS OTHERWISE SPECIFIED:  
 DIMENSIONS ARE IN MILLIMETERS  
 WEIGHT ARE IN KILOGRAMM

	NAME	SIGNATURE	DATE	REVISION
DRAWN	M. Rebase		30.03.2015	
APPV'D				

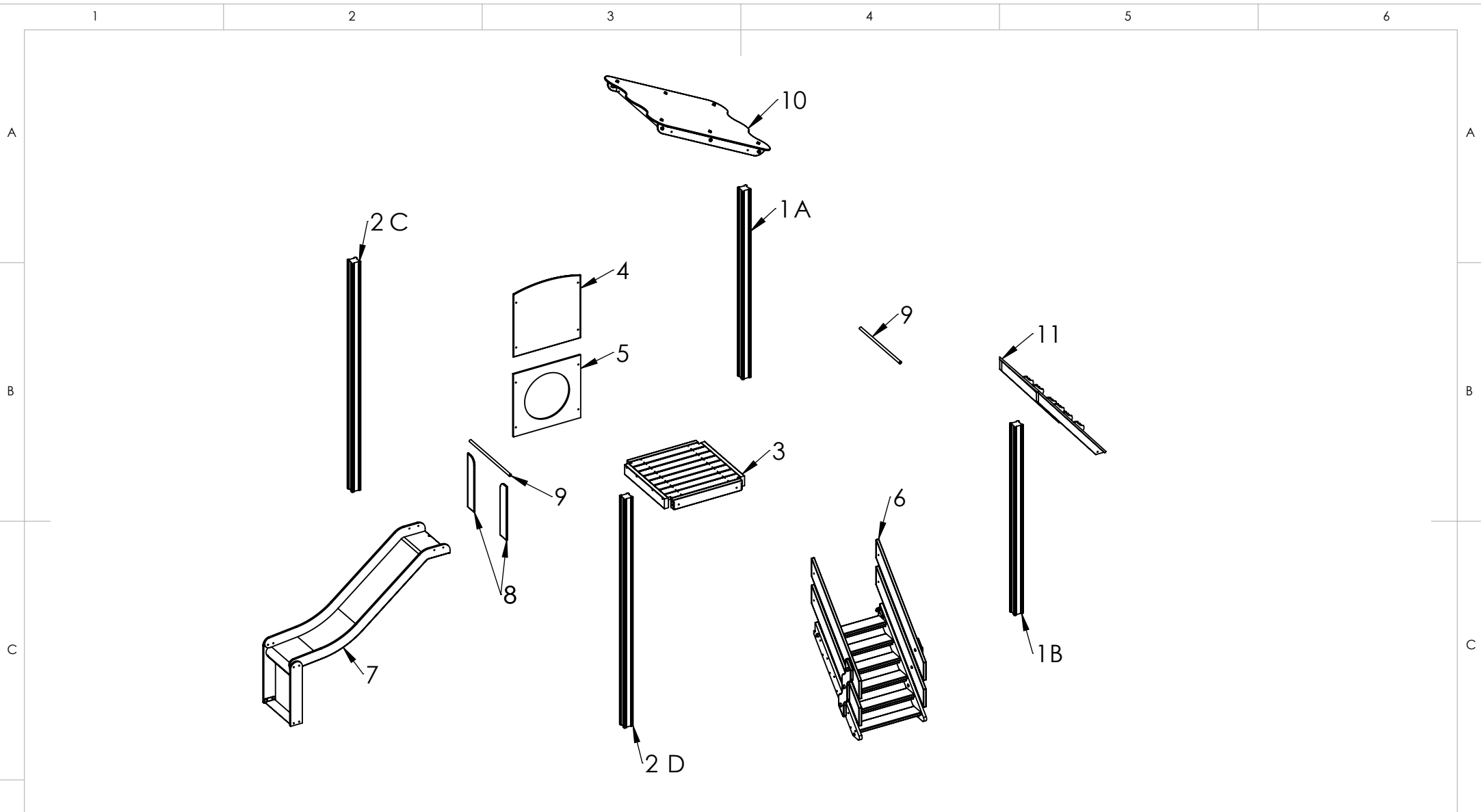
PART NUMBER / DWG NO.:  
**LM013**

DESCRIPTION:  
**Slide SAM**



**Tiptaptap** OÜ  
 Veetorni 9,  
 Jüri alevik, Rae vald,  
 75301 Harjumaa

MATERIAL:	wood, metal, plastic	A4
WEIGHT:	SCALE: 1:50	SHEET 4 OF 14



UNLESS OTHERWISE SPECIFIED:  
 DIMENSIONS ARE IN MILLIMETERS  
 WEIGHT ARE IN KILOGRAMM

PART NUMBER / DWG NO.:  
**LM013**

	NAME	SIGNATURE	DATE	REVISION
DRAWN	M. Rebase		30.03.2015	
APPV'D				

DESCRIPTION:  
**Slide SAM**




**Tiptaptap** OÜ  
 Veetorni 9,  
 Jüri alevik, Rae vald,  
 75301 Harjumaa

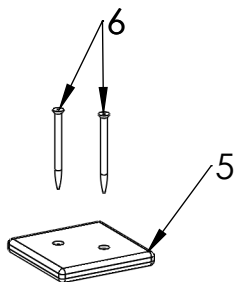
MATERIAL:	wood, metal, plastic	A4
WEIGHT:		SCALE: 1:50
		SHEET 5 OF 14

ITEM NO.	PART NUMBER	DESCRIPTION	QTY.
1	post 98x98x2100	laminated wood	2
2	post 98x98x2550	laminated wood	2
3	platform	laminated wood, metal	1
4	panel 750x750	plywood	1
5	panel 750x700	plywood	1
6	stairs h.900	laminated wood	1
7	slide h_950	stainless steel, PE plastic	1
8	panel 125x600	plywood	2
9	guardrail $\phi$ 25x770	painted steel	2
10	roof inclined	plywood	1
11	ramp with climbing grips	plywood	1

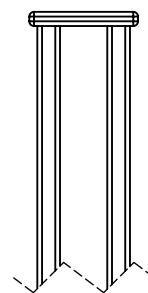
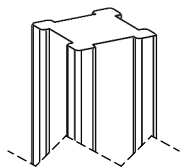


UNLESS OTHERWISE SPECIFIED: DIMENSIONS ARE IN MILLIMETERS WEIGHT ARE IN KILOGRAMM				PART NUMBER / DWG NO.: <b>LM013</b>	
	NAME	SIGNATURE	DATE	REVISION	DESCRIPTION: <b>Slide SAM</b>
DRAWN	M. Rebase		30.03.2015		
APPV'D					
 <b>Tiptaptap</b> OÜ Tiptaptap OÜ Veetorni 9, Jüri alevik, Rae vald, 75301 Harjumaa				MATERIAL: wood, metal, plastic	
				WEIGHT:	A4
				SCALE: 1:50	SHEET 6 OF 14

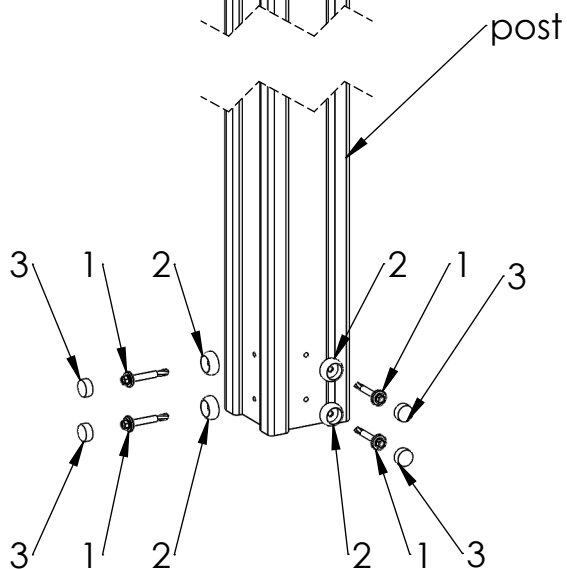
A



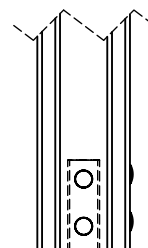
B



C



ground



50

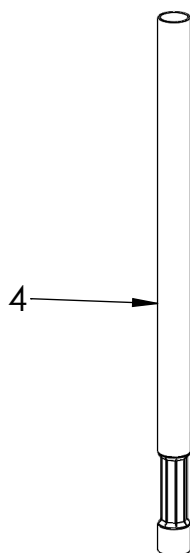
concrete

200

455

500

D



Ø 300

E

ITEM NO.	PART NUMBER
1	screw DIN7504K 5,5x50
2	nut cover M6
3	nut cover cap M6
4	metal ground fixing L_600
5	plastic cap 115x115
6	woodscrew 6 x 90

UNLESS OTHERWISE SPECIFIED:  
DIMENSIONS ARE IN MILLIMETERS  
WEIGHT ARE IN KILOGRAMM

PART NUMBER / DWG NO.:

LM013

	NAME	SIGNATURE	DATE	REVISION
DRAWN	M. Rebase		30.03.2015	
APPV'D				

DESCRIPTION:

Slide SAM  
connecting metal ground fixing to post

F



**Tiptiptap** OÜ

Tiptiptap OÜ  
Veetorni 9,  
Jüri alevik, Rae vald,  
75301 Harjumaa

MATERIAL:

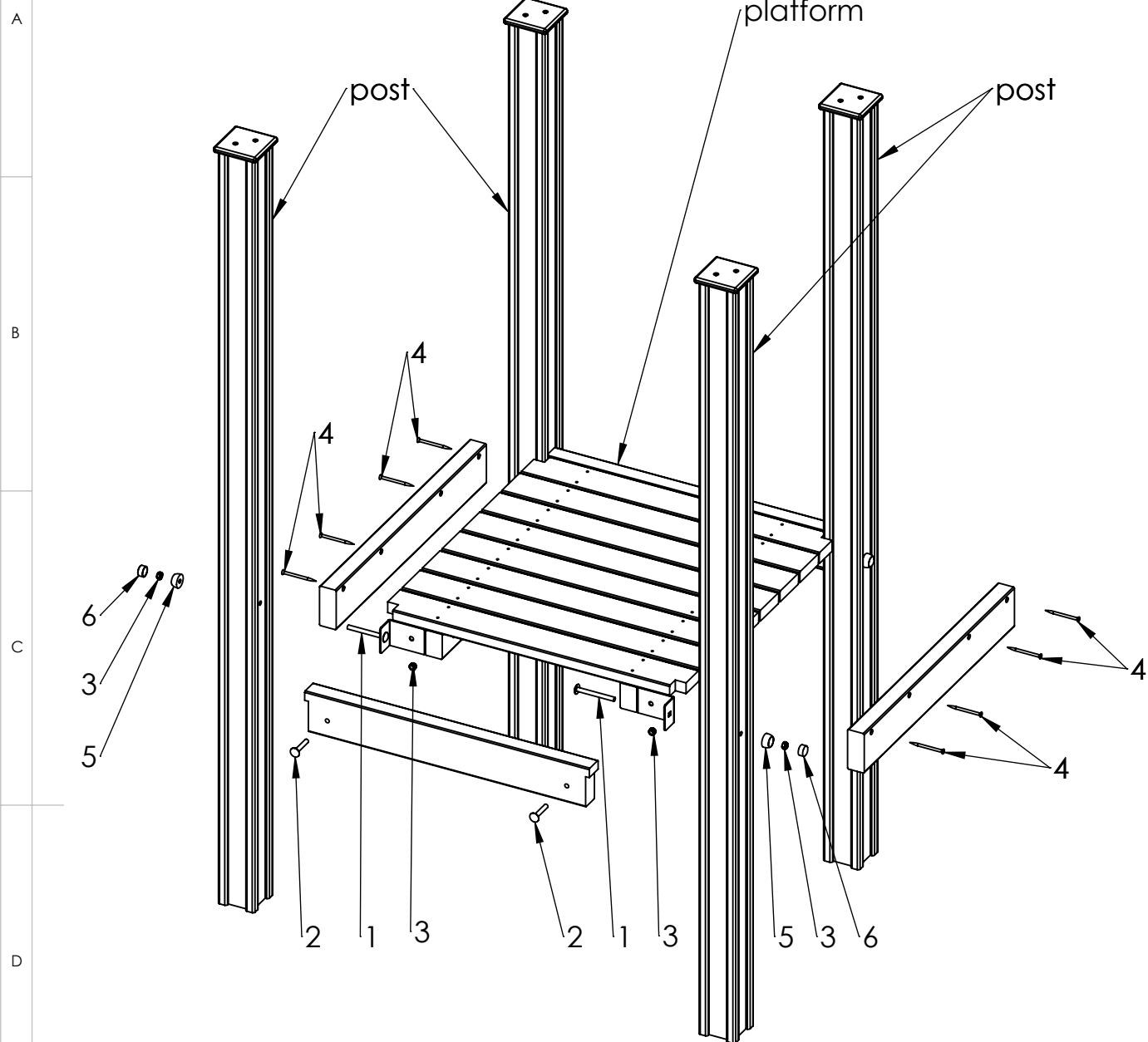
wood, metal, plastic

A4

WEIGHT:

SCALE: 1:8

SHEET 7 OF 14



E

ITEM NO.	PART NUMBER
1	bolt DIN603 M10x100
2	bolt DIN603 M10x60
3	nut DIN985 M10
4	woodscrew 6 x 90
5	nut cover M10
6	nut cover cap M10

F

UNLESS OTHERWISE SPECIFIED:  
DIMENSIONS ARE IN MILLIMETERS  
WEIGHT ARE IN KILOGRAMM

	NAME	SIGNATURE	DATE	REVISION
DRAWN	M. Rebase		30.03.2015	
APPV'D				

PART NUMBER / DWG NO.:

LM013

DESCRIPTION:

Slide SAM  
connecting platform to post

MATERIAL:

wood, metal, plastic

A4

WEIGHT:

SCALE: 1:15

SHEET 8 OF 14



**Tiptiptap** OÜ

Tiptiptap OÜ  
Veetorni 9,  
Jüri alevik, Rae vald,  
75301 Harjumaa



A

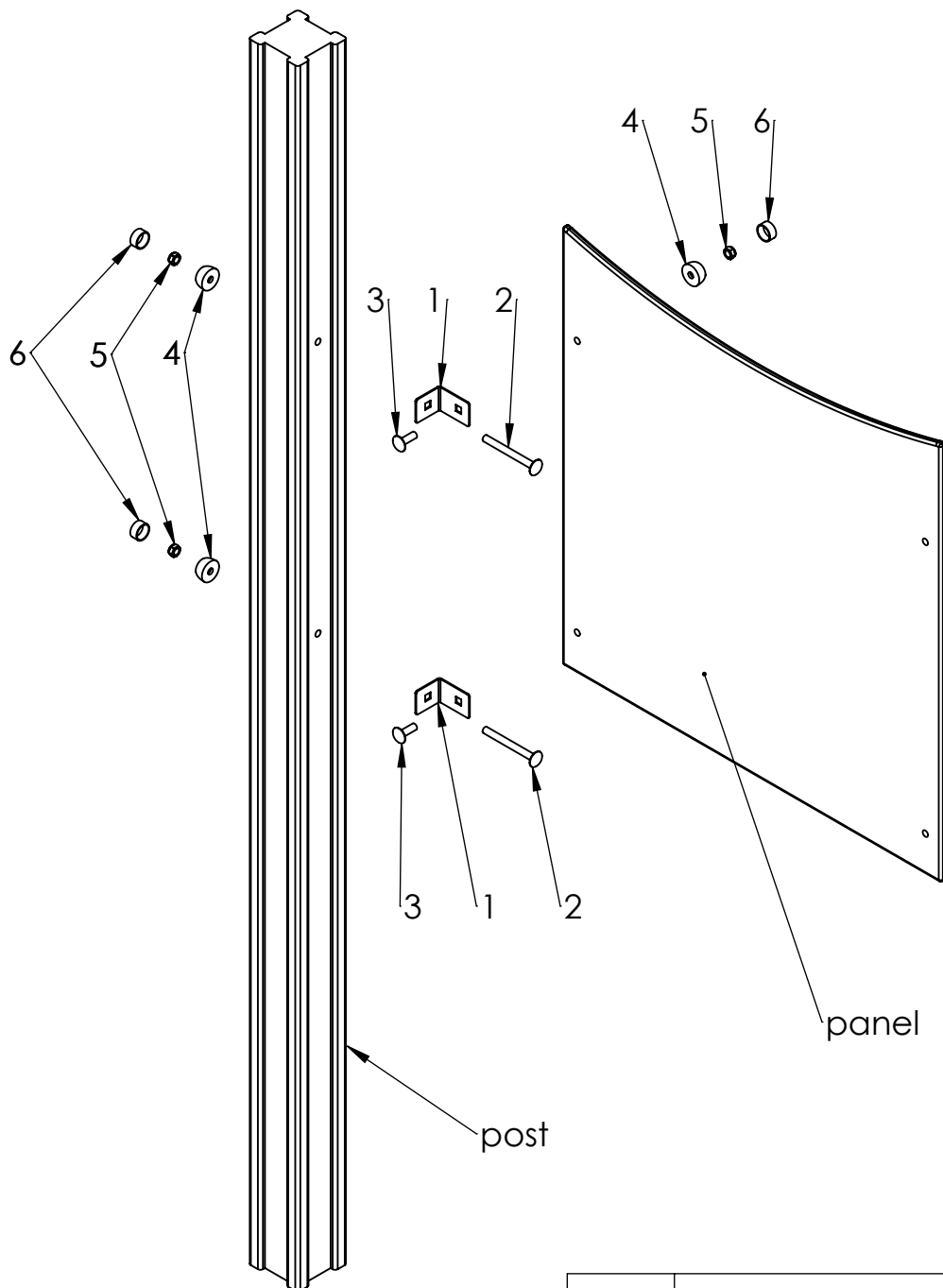
B

C

D

E

F



ITEM NO.	PART NUMBER
1	corner 48x60
2	bolt DIN603 M10x100
3	bolt DIN603 M10x30
4	nut cover M10
5	nut DIN985 M10
6	nut cover cap M10

UNLESS OTHERWISE SPECIFIED:  
DIMENSIONS ARE IN MILLIMETERS  
WEIGHT ARE IN KILOGRAMM

PART NUMBER / DWG NO.:

LM013

	NAME	SIGNATURE	DATE	REVISION
DRAWN	M. Rebase		30.03.2015	
APPV'D				

DESCRIPTION:

Slide SAM  
connecting panel to post

MATERIAL:

wood, metal, plastic

A4

WEIGHT:

SCALE: 1:10

SHEET 9 OF 14



**Tiptaptap** OÜ

Tiptaptap OÜ  
Veetorni 9,  
Jüri alevik, Rae vald,  
75301 Harjumaa

A

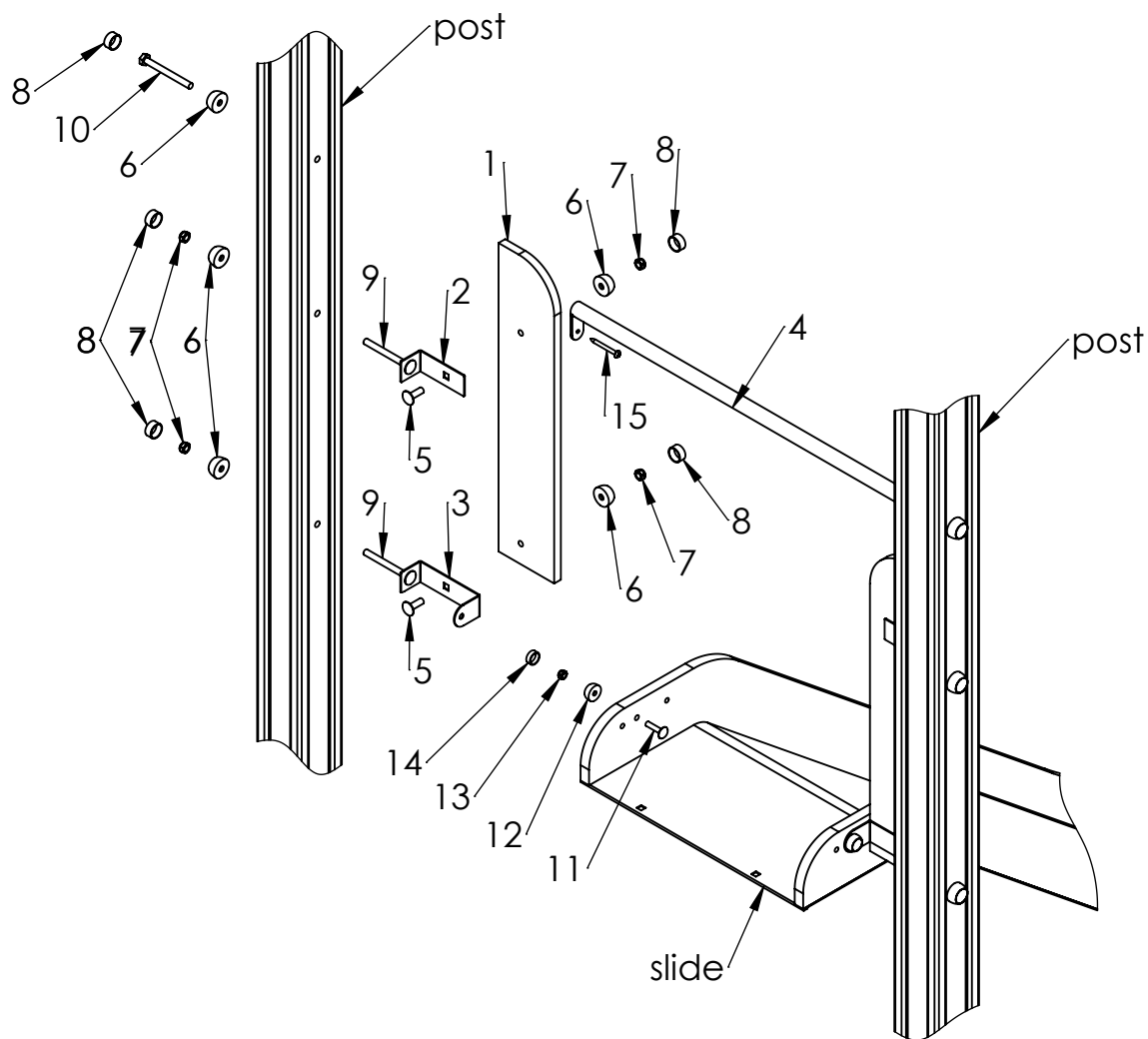
B

C

D

E

F



ITEM NO.	PART NUMBER
1	slide side panel 125x600
2	slide side panel fixing 40x100
3	slide side panel fixing 40x135
4	guardrail $\phi$ 25x770
5	bolt DIN603 M10x30
6	nut cover M10
7	nut DIN985 M10
8	nut cover cap M10
9	bolt DIN603 M10x100
10	bolt DIN931 M10x100
11	bolt DIN603 M8x35
12	nut cover M8
13	nut DIN985 M8
14	nut cover cap M8
15	screw DIN7996 6x60

UNLESS OTHERWISE SPECIFIED:  
DIMENSIONS ARE IN MILLIMETERS  
WEIGHT ARE IN KILOGRAMM

	NAME	SIGNATURE	DATE	REVISION
DRAWN	M. Rebase		30.03.2015	
APPV'D				

PART NUMBER / DWG NO.:

LM013

DESCRIPTION:

Slide SAM  
connecting slide side panel to post

MATERIAL:

wood, metal, plastic

A4

WEIGHT:

SCALE: 1:12

SHEET 10 OF 14



**Tiptaptap** OÜ

Tiptaptap OÜ  
Veetorni 9,  
Jüri alevik, Rae vald,  
75301 Harjumaa

A

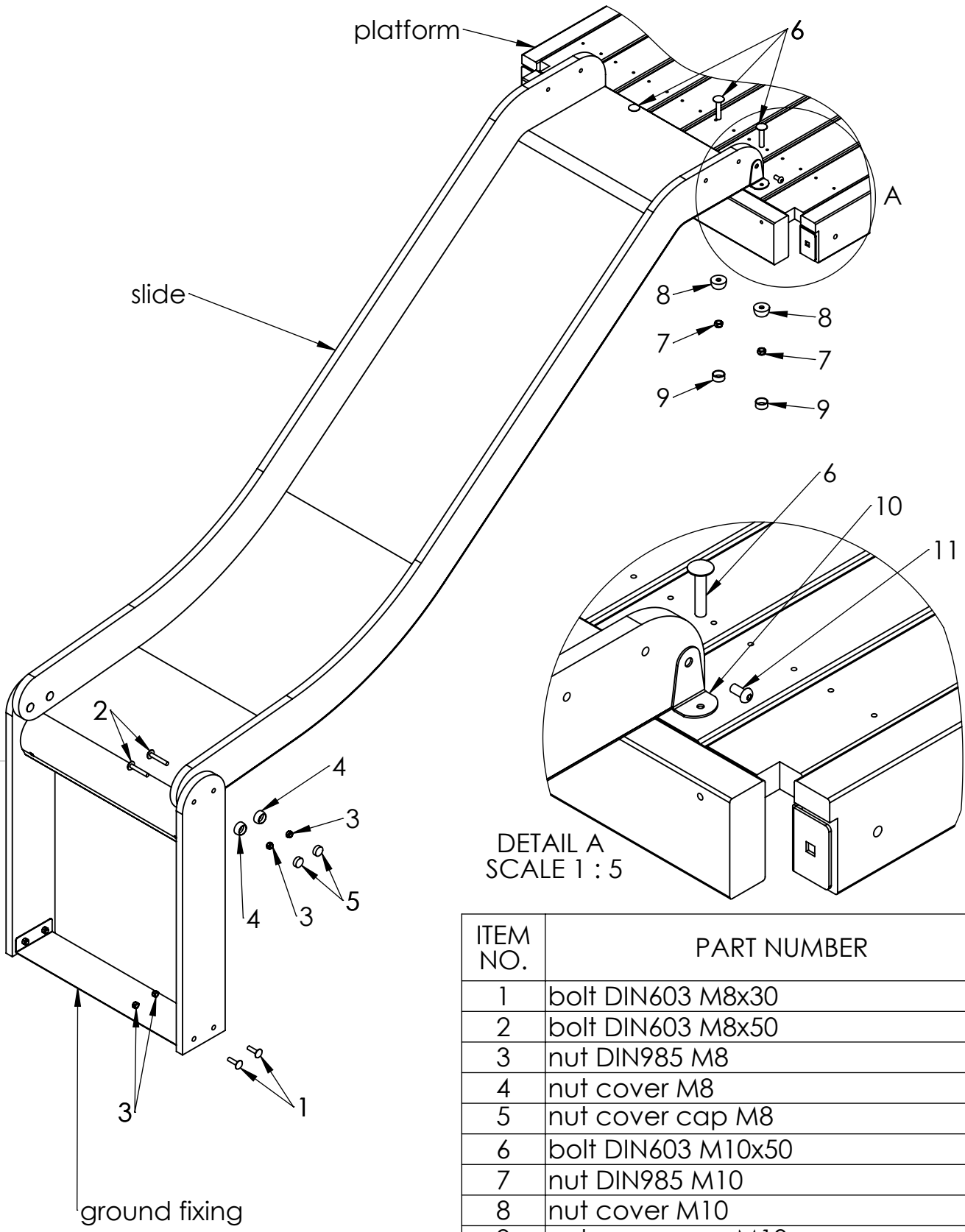
B

C

D

E

F



DETAIL A  
SCALE 1 : 5

ITEM NO.	PART NUMBER
1	bolt DIN603 M8x30
2	bolt DIN603 M8x50
3	nut DIN985 M8
4	nut cover M8
5	nut cover cap M8
6	bolt DIN603 M10x50
7	nut DIN985 M10
8	nut cover M10
9	nut cover cap M10
10	corner 58x30
11	metal screw DIN 7380 M8x16

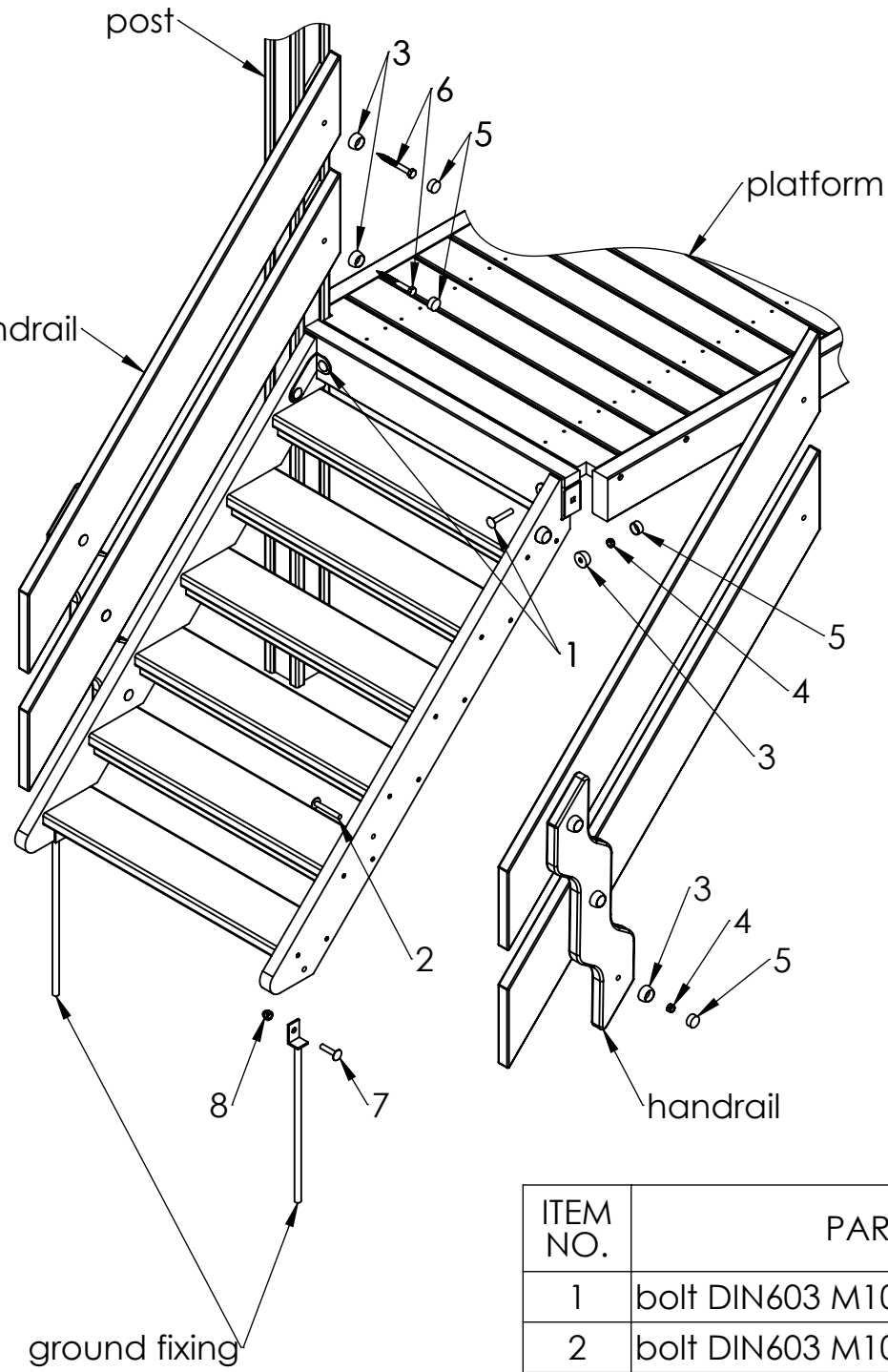
UNLESS OTHERWISE SPECIFIED: DIMENSIONS ARE IN MILLIMETERS WEIGHT ARE IN KILOGRAMM				
	NAME	SIGNATURE	DATE	REVISION
DRAWN	M. Rebase		30.03.2015	
APPV'D				

PART NUMBER / DWG NO.:		LM013	
DESCRIPTION:			
Slide SAM connecting slide to platform			
MATERIAL:		wood, metal, plastic	A4
WEIGHT:		SCALE: 1:12	SHEET 11 OF 14



**Tiptaptap** OÜ

Tiptaptap OÜ  
Veetorni 9,  
Jüri alevik, Rae vald,  
75301 Harjumaa



ITEM NO.	PART NUMBER
1	bolt DIN603 M10x60
2	bolt DIN603 M10x70
3	nut cover M10
4	nut DIN985 M10
5	nut cover cap M10
6	wood screw DIN571 10x100
7	bolt DIN603 M10x45
8	domed cap nut DIN1587 M10

UNLESS OTHERWISE SPECIFIED:  
DIMENSIONS ARE IN MILLIMETERS  
WEIGHT ARE IN KILOGRAMM

	NAME	SIGNATURE	DATE	REVISION
DRAWN	M. Rebase		30.03.2015	
APPV'D				

PART NUMBER / DWG NO.:  
**LM013**

DESCRIPTION:  
**Slide SAM  
connecting stairs to platform**



**Tiptap** OÜ

Tiptap OÜ  
Veetorni 9,  
Jüri alevik, Rae vald,  
75301 Harjumaa

MATERIAL: wood, metal, plastic

A4

WEIGHT: SCALE: 1:15 SHEET 12 OF 14

A

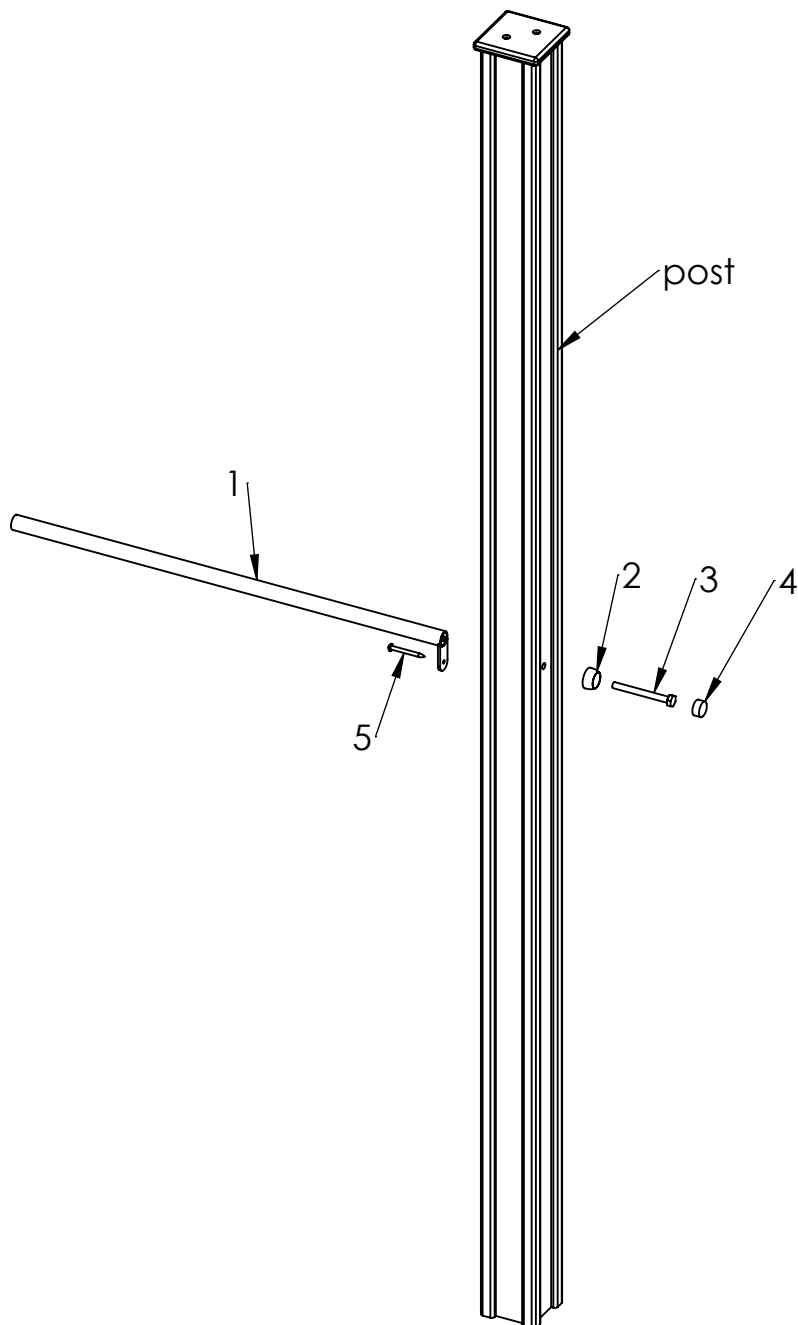
B

C

D

E

F



ITEM NO.	PART NUMBER
1	guardrail $\phi$ 25x770
2	nut cover M10
3	bolt DIN931 M10x100
4	nut cover cap M10
5	screw DIN7996 6x60

UNLESS OTHERWISE SPECIFIED:  
DIMENSIONS ARE IN MILLIMETERS  
WEIGHT ARE IN KILOGRAMM

	NAME	SIGNATURE	DATE	REVISION
DRAWN	M. Rebase		30.03.2015	
APPV'D				

PART NUMBER / DWG NO.:

LM013  
connecting guardrail to post

DESCRIPTION:

Slide SAM

MATERIAL:

wood, metal, plastic

A4

WEIGHT:

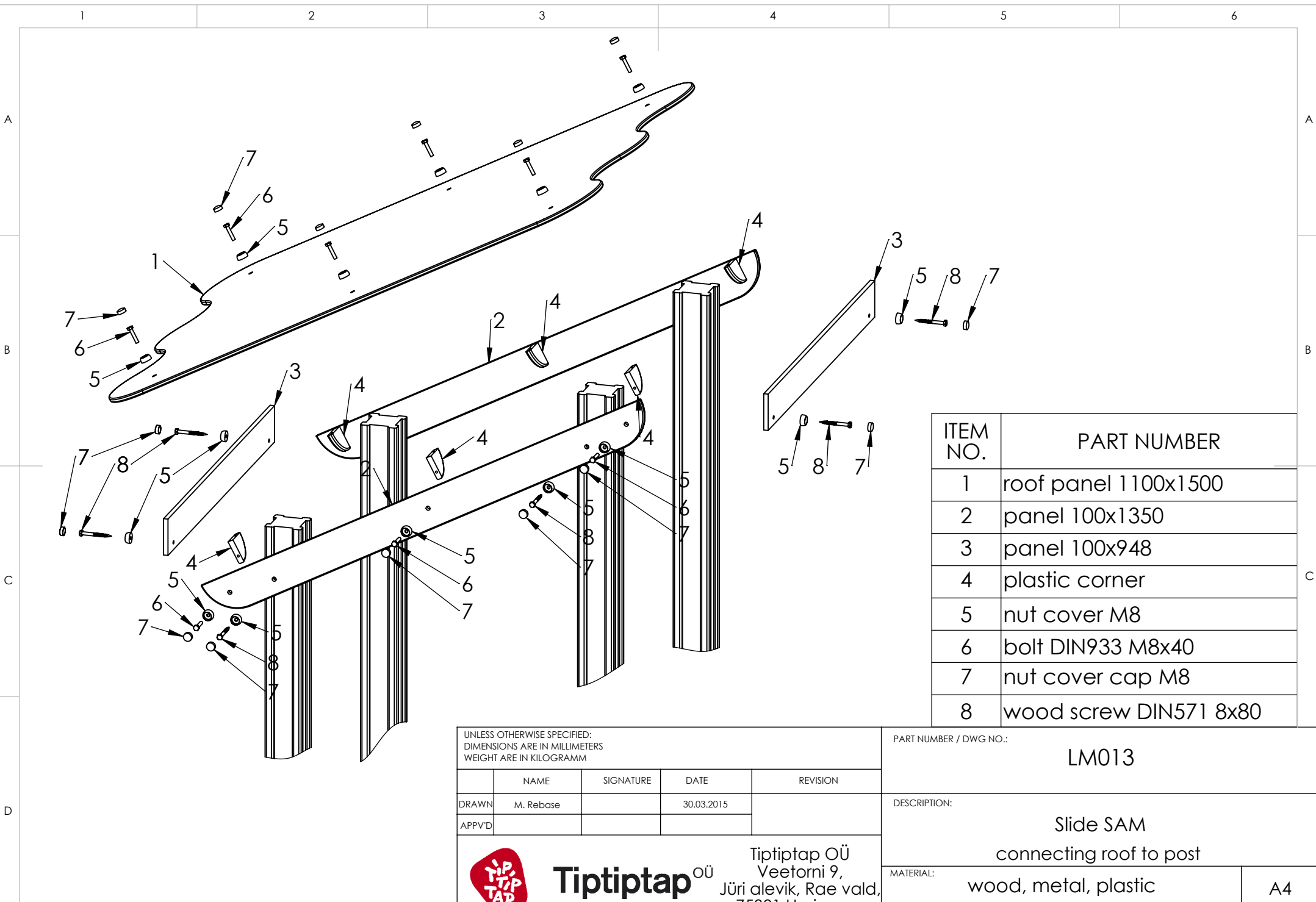
SCALE: 1:12

SHEET 13 OF 14



**Tiptiptap** OÜ

Tiptiptap OÜ  
Veetorni 9,  
Jüri alevik, Rae vald,  
75301 Harjumaa



ITEM NO.	PART NUMBER
1	roof panel 1100x1500
2	panel 100x1350
3	panel 100x948
4	plastic corner
5	nut cover M8
6	bolt DIN933 M8x40
7	nut cover cap M8
8	wood screw DIN571 8x80

UNLESS OTHERWISE SPECIFIED:  
 DIMENSIONS ARE IN MILLIMETERS  
 WEIGHT ARE IN KILOGRAMM

	NAME	SIGNATURE	DATE	REVISION
DRAWN	M. Rebase		30.03.2015	
APPV'D				


**Tiptaptap** OÜ  
 Tiptaptap OÜ  
 Veetorni 9,  
 Jüri alevik, Rae vald,  
 75301 Harjumaa

PART NUMBER / DWG NO.:		LM013	
DESCRIPTION:			
Slide SAM connecting roof to post			
MATERIAL:		wood, metal, plastic	A4
WEIGHT:		SCALE: 1:12	SHEET 14 OF 14