

A

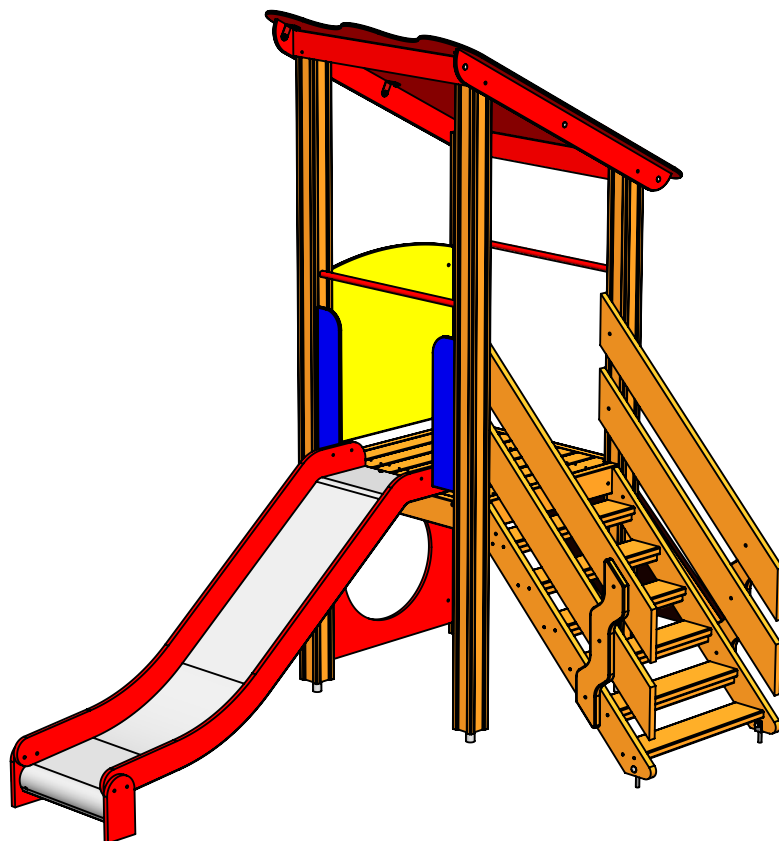
B

C

D

E

F



UNLESS OTHERWISE SPECIFIED:
DIMENSIONS ARE IN MILLIMETERS
WEIGHT ARE IN KILOGRAMM

PART NUMBER / DWG NO.:

LM002

	NAME	SIGNATURE	DATE	REVISION
DRAWN	M. Rebase		11.08.2011	
APPV'D				

DESCRIPTION:

Slide ANN



Tiptaptap OÜ

Tiptaptap OÜ
Veetorni 9,
Jüri alevik, Rae vald,
75301 Harjumaa

MATERIAL:

wood, metal, plastic

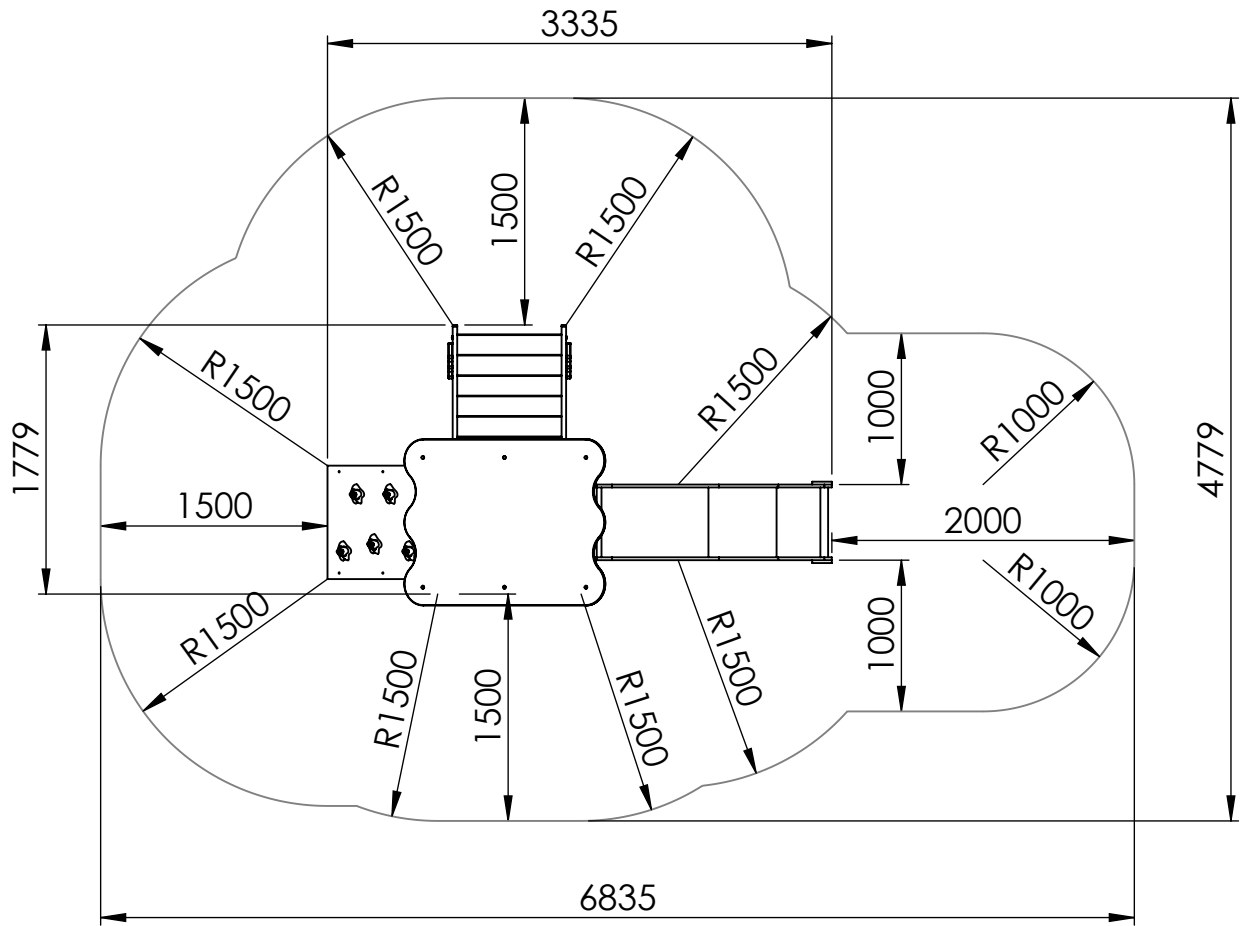
A4

WEIGHT:

SCALE: 1:25

SHEET 1 OF 6

safety area



UNLESS OTHERWISE SPECIFIED:
DIMENSIONS ARE IN MILLIMETERS
WEIGHT ARE IN KILOGRAMM

PART NUMBER / DWG NO.:

LM002

	NAME	SIGNATURE	DATE	REVISION
DRAWN	M. Rebase		11.08.2011	
APPV'D				

DESCRIPTION:

Slide ANN



Tiptaptap OÜ

Tiptaptap OÜ
Veetorni 9,
Jüri alevik, Rae vald,
75301 Harjumaa

MATERIAL:

wood, metal, plastic

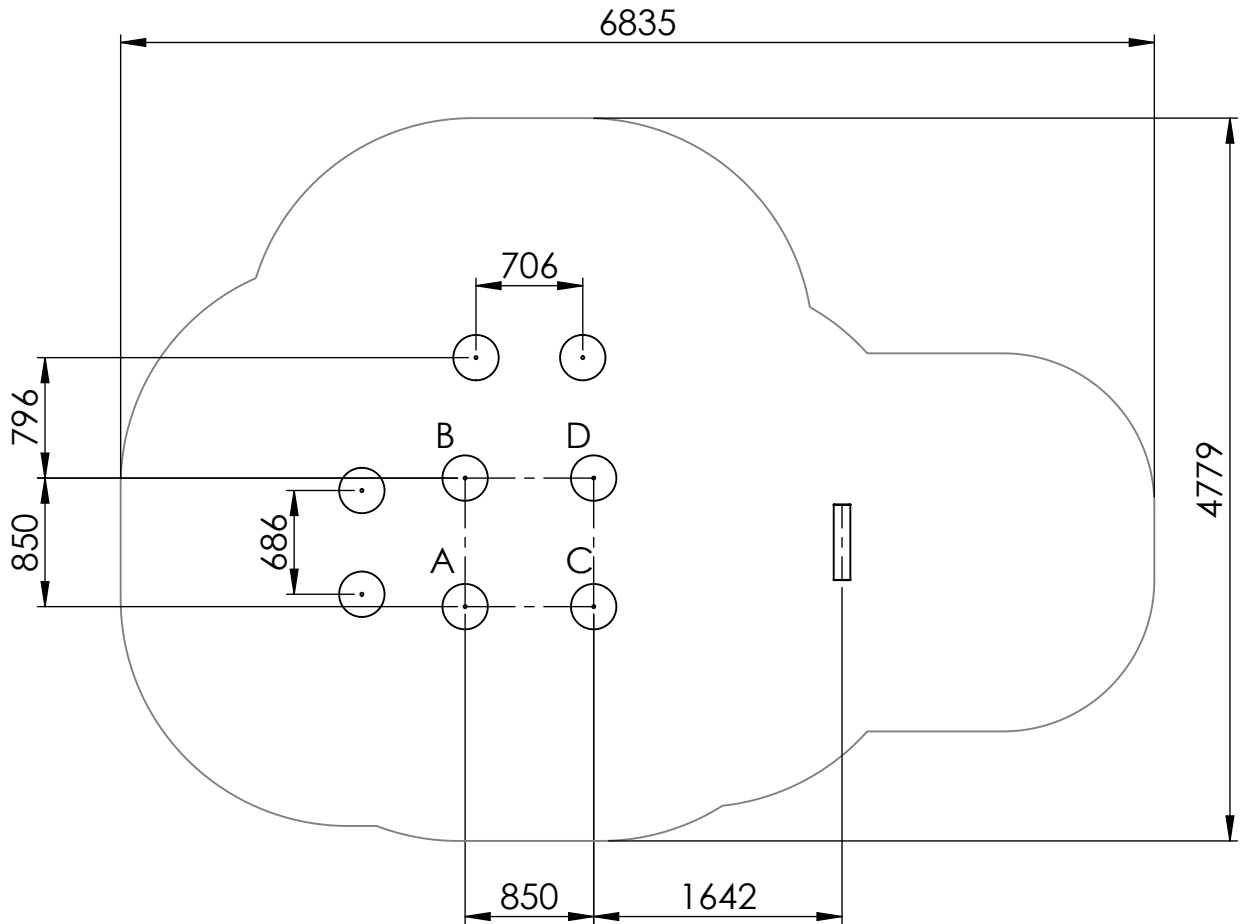
A4

WEIGHT:

SCALE: 1:25

SHEET 2 OF 6

foundation



depth of foundation 500mm

UNLESS OTHERWISE SPECIFIED:
DIMENSIONS ARE IN MILLIMETERS
WEIGHT ARE IN KILOGRAMM

PART NUMBER / DWG NO.:

LM002

	NAME	SIGNATURE	DATE	REVISION
DRAWN	M. Rebase		11.08.2011	
APPV'D				

DESCRIPTION:

Slide ANN



Tiptaptap OÜ

Tiptaptap OÜ
Veetorni 9,
Jüri alevik, Rae vald,
75301 Harjumaa

MATERIAL:

wood, metal, plastic

A4

WEIGHT:

SCALE: 1:25

SHEET 3 OF 6

A

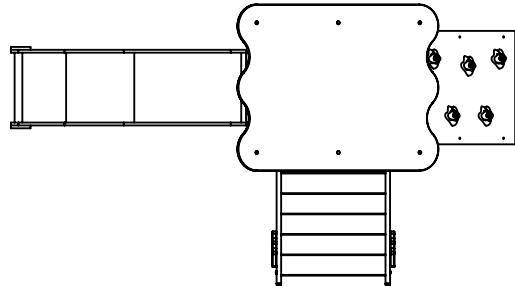
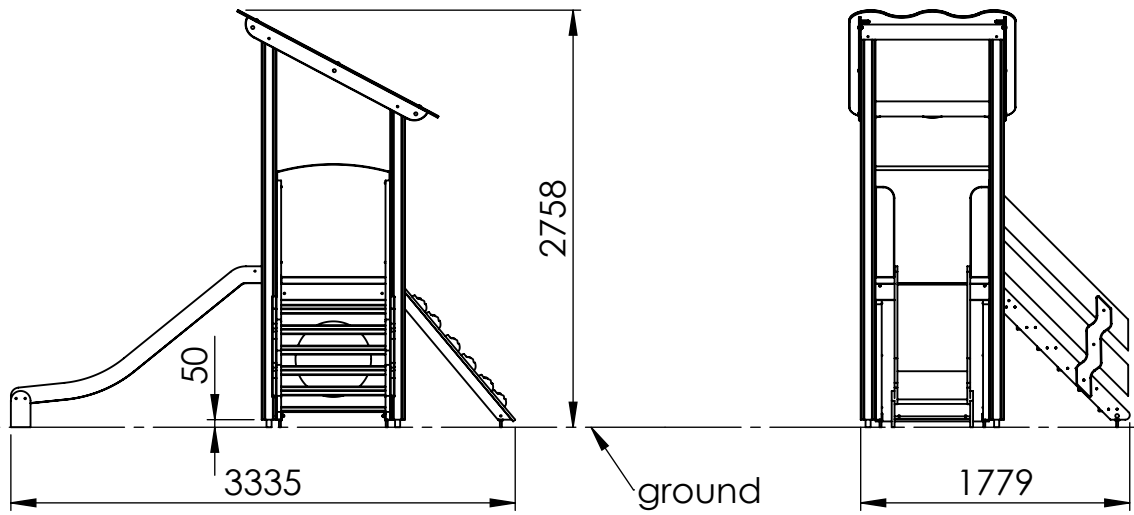
B

C

D

E

F



UNLESS OTHERWISE SPECIFIED: DIMENSIONS ARE IN MILLIMETERS WEIGHT ARE IN KILOGRAMM				
	NAME	SIGNATURE	DATE	REVISION
DRAWN	M. Rebase		11.08.2011	
APPV'D				

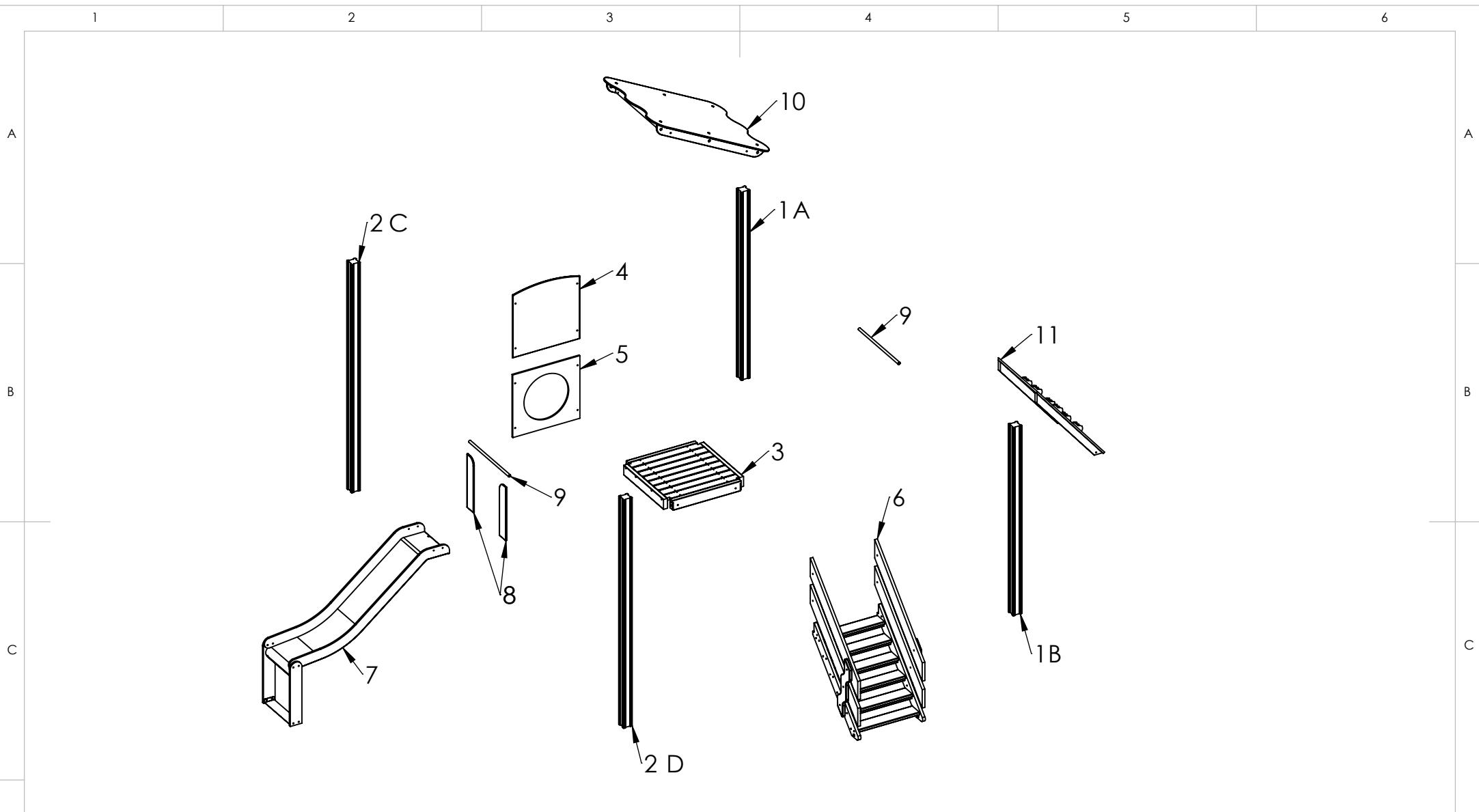
PART NUMBER / DWG NO.: **LM002**

DESCRIPTION: **Slide ANN**



Tiptaptap OÜ
Veetorni 9,
Jüri alevik, Rae vald,
75301 Harjumaa

MATERIAL:	wood, metal, plastic	A4
WEIGHT:	SCALE: 1:50	SHEET 4 OF 6



UNLESS OTHERWISE SPECIFIED:
 DIMENSIONS ARE IN MILLIMETERS
 WEIGHT ARE IN KILOGRAMM

PART NUMBER / DWG NO.:
LM002

	NAME	SIGNATURE	DATE	REVISION
DRAWN	M. Rebase		11.08.2011	
APPV'D				

DESCRIPTION:
Slide ANN




Tiptap OÜ
 Veetorni 9,
 Jüri alevik, Rae vald,
 75301 Harjumaa

MATERIAL:	wood, metal, plastic	A4
WEIGHT:		SCALE: 1:50
		SHEET 5 OF 6

ITEM NO.	PART NUMBER	DESCRIPTION	QTY.
1	post 98x98x2100	laminated wood	2
2	post 98x98x2550	laminated wood	2
3	platform	laminated wood, metal	1
4	panel 750x750	plywood	1
5	panel 750x700	plywood	1
6	stairs h.900	laminated wood	1
7	slide h_950	stainless steel, PE plastic	1
8	panel 125x600	plywood	2
9	guardrail ϕ 25x770	painted steel	2
10	roof inclined	plywood	1
11	ramp with climbing grips	plywood	1



UNLESS OTHERWISE SPECIFIED: DIMENSIONS ARE IN MILLIMETERS WEIGHT ARE IN KILOGRAMM				PART NUMBER / DWG NO.: LM002	
	NAME	SIGNATURE	DATE	REVISION	DESCRIPTION: Slide ANN
DRAWN	M. Rebase		11.08.2011		
APPV'D					
 Tiptaptap OÜ Tiptaptap OÜ Veetorni 9, Jüri alevik, Rae vald, 75301 Harjumaa				MATERIAL: wood, metal, plastic	
				WEIGHT:	SCALE: 1:50
					SHEET 6 OF 6