

A

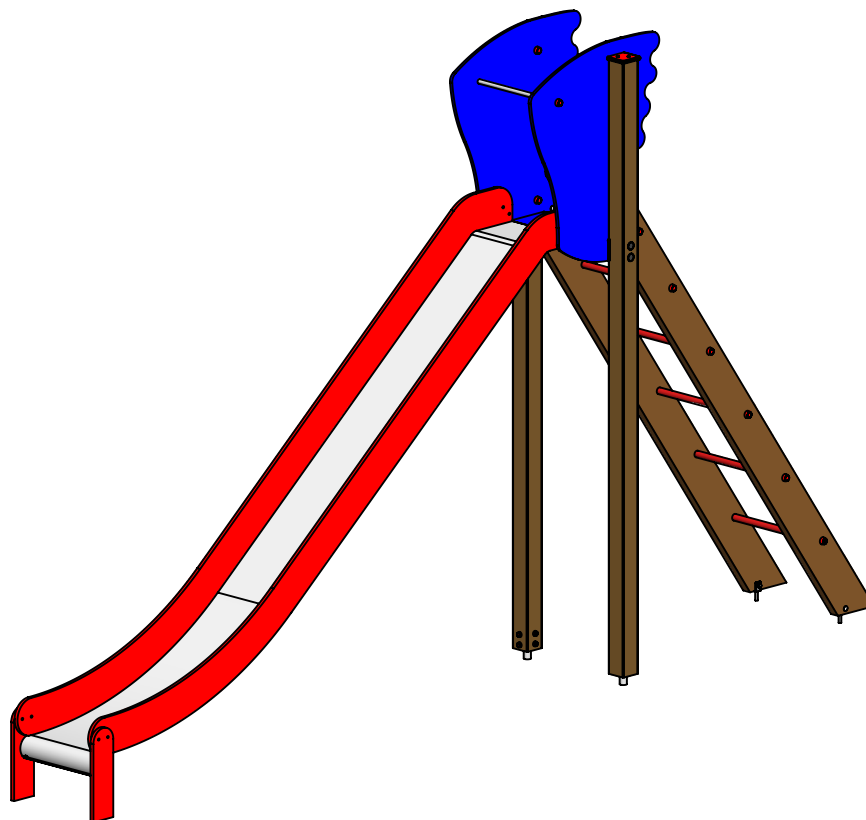
B

C

D

E

F



UNLESS OTHERWISE SPECIFIED:
DIMENSIONS ARE IN MILLIMETERS
WEIGHT ARE IN KILOGRAMM

PART NUMBER / DWG NO.:

LM012

	NAME	SIGNATURE	DATE	REVISION
DRAWN	M.Rebase		17.05.2012	
APPV'D				

DESCRIPTION:

Slide BIA



Tiptaptap OÜ

Tiptaptap OÜ
Veetorni 9,
Jüri alevik, Rae vald,
75301 Harjumaa

MATERIAL:

wood, metal, plastic

A4

WEIGHT:

SCALE: 1:35

SHEET 1 OF 9

safety area

A

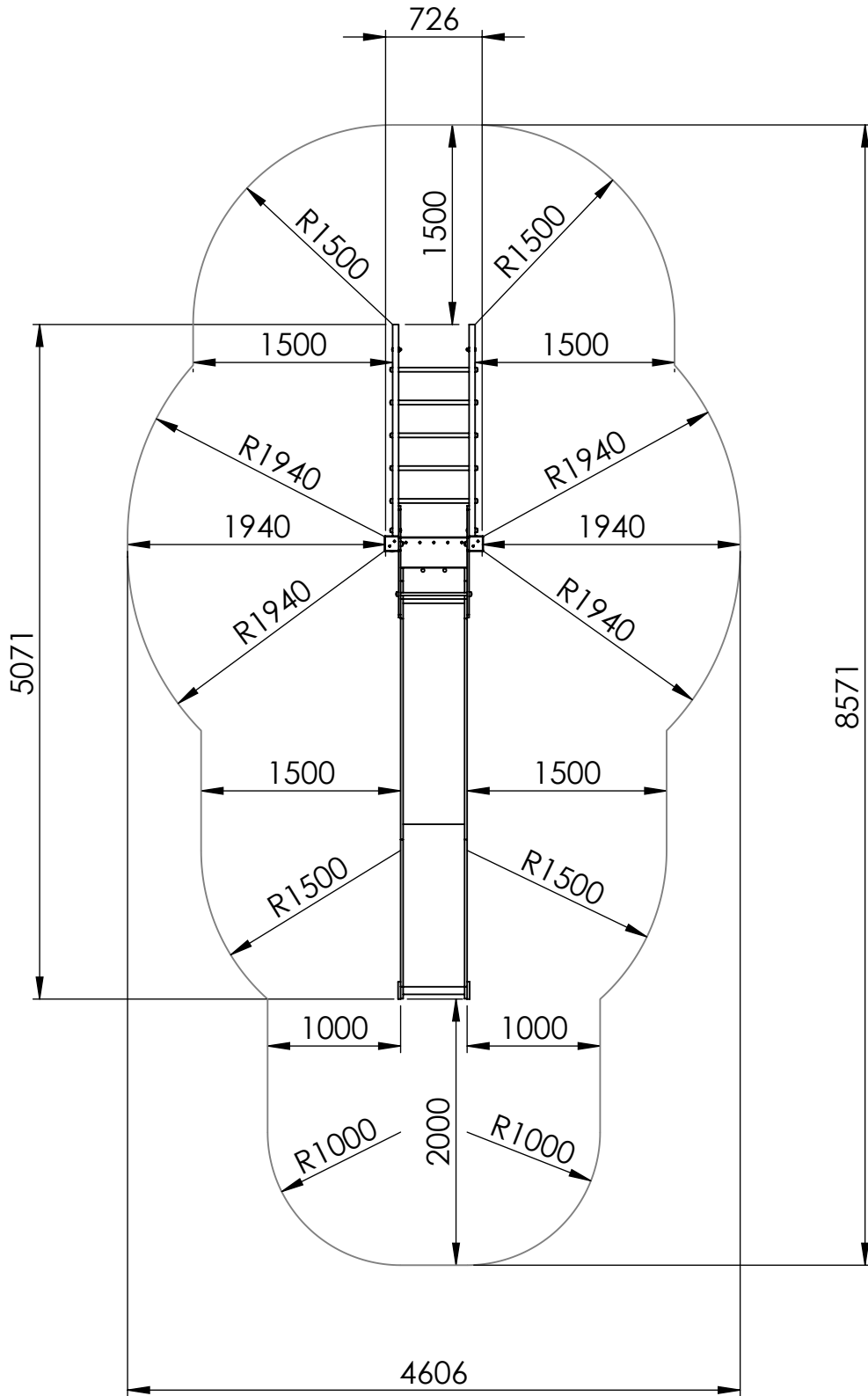
B

C

D

E

F



UNLESS OTHERWISE SPECIFIED:
DIMENSIONS ARE IN MILLIMETERS
WEIGHT ARE IN KILOGRAMM

PART NUMBER / DWG NO.:

LM012

	NAME	SIGNATURE	DATE	REVISION
DRAWN	M.Rebase		17.05.2012	
APPV'D				

DESCRIPTION:

Slide BIA



Tiptap OÜ

Tiptap OÜ
Veetorni 9,
Jüri alevik, Rae vald,
75301 Harjumaa

MATERIAL:

wood, metal, plastic

A4

WEIGHT:

SCALE: 1:50

SHEET 2 OF 9

foundation

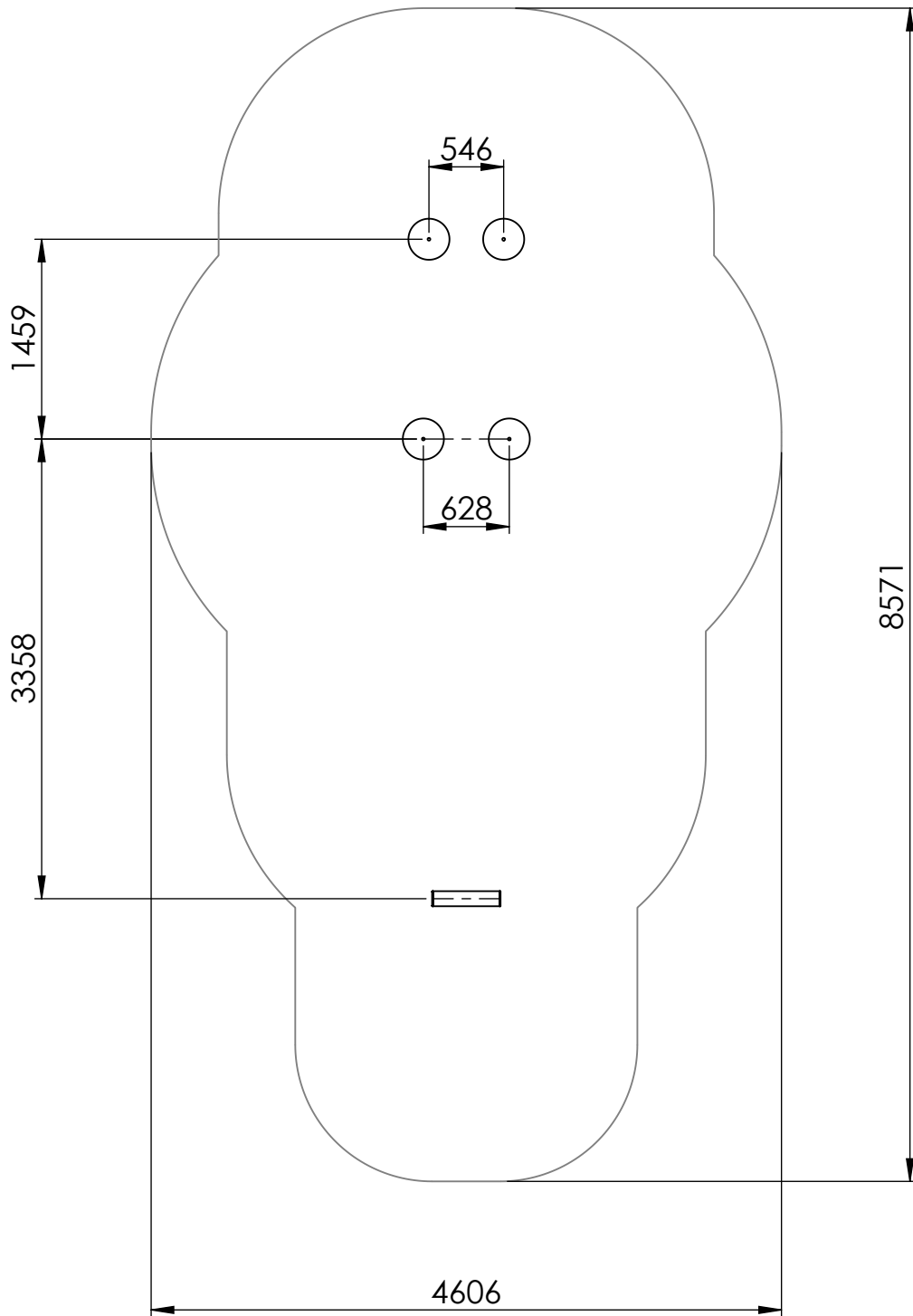
A

B

C

D

E



depth of foundation 500mm

UNLESS OTHERWISE SPECIFIED:
DIMENSIONS ARE IN MILLIMETERS
WEIGHT ARE IN KILOGRAMM

PART NUMBER / DWG NO.:

LM012

	NAME	SIGNATURE	DATE	REVISION
DRAWN	M.Rebase		17.05.2012	
APPV'D				

DESCRIPTION:

Slide BIA



Tiptap OÜ

Tiptap OÜ
Veetorni 9,
Jüri alevik, Rae vald,
75301 Harjumaa

MATERIAL:

wood, metal, plastic

A4

WEIGHT:

SCALE: 1:50

SHEET 3 OF 9

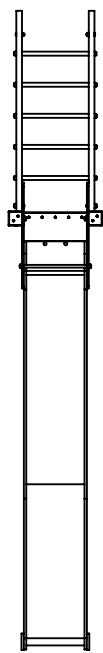
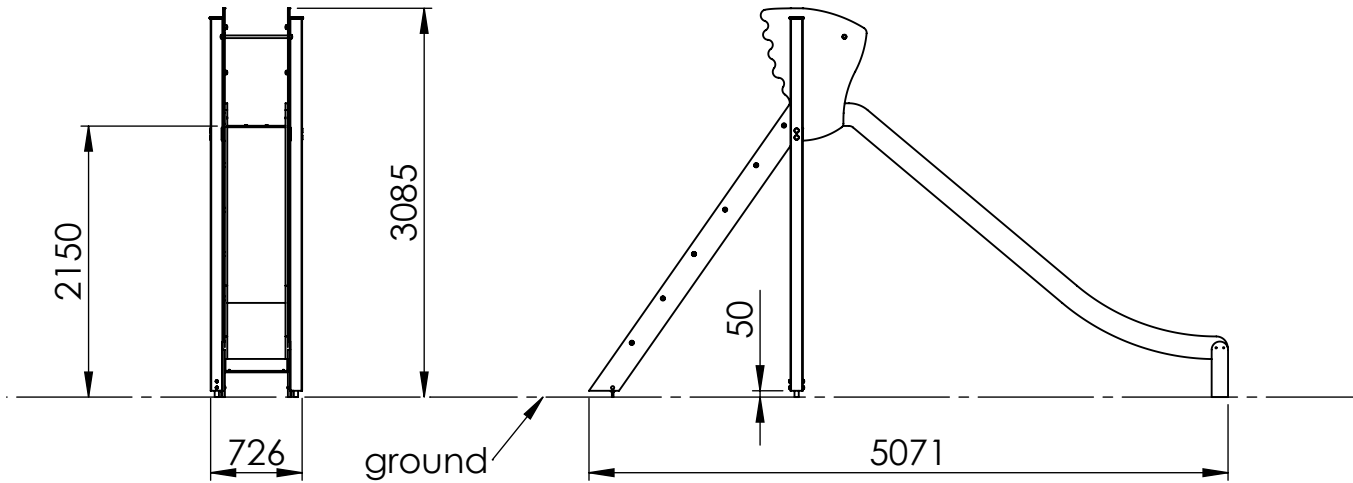
A

B

C

D

E



UNLESS OTHERWISE SPECIFIED:
 DIMENSIONS ARE IN MILLIMETERS
 WEIGHT ARE IN KILOGRAMM

PART NUMBER / DWG NO.:
LM012

	NAME	SIGNATURE	DATE	REVISION
DRAWN	M.Rebase		17.05.2012	
APPV'D				

DESCRIPTION:
Slide BIA

Tiptiptap OÜ
 Veetorni 9,
 Jüri alevik, Rae vald,
 75301 Harjumaa



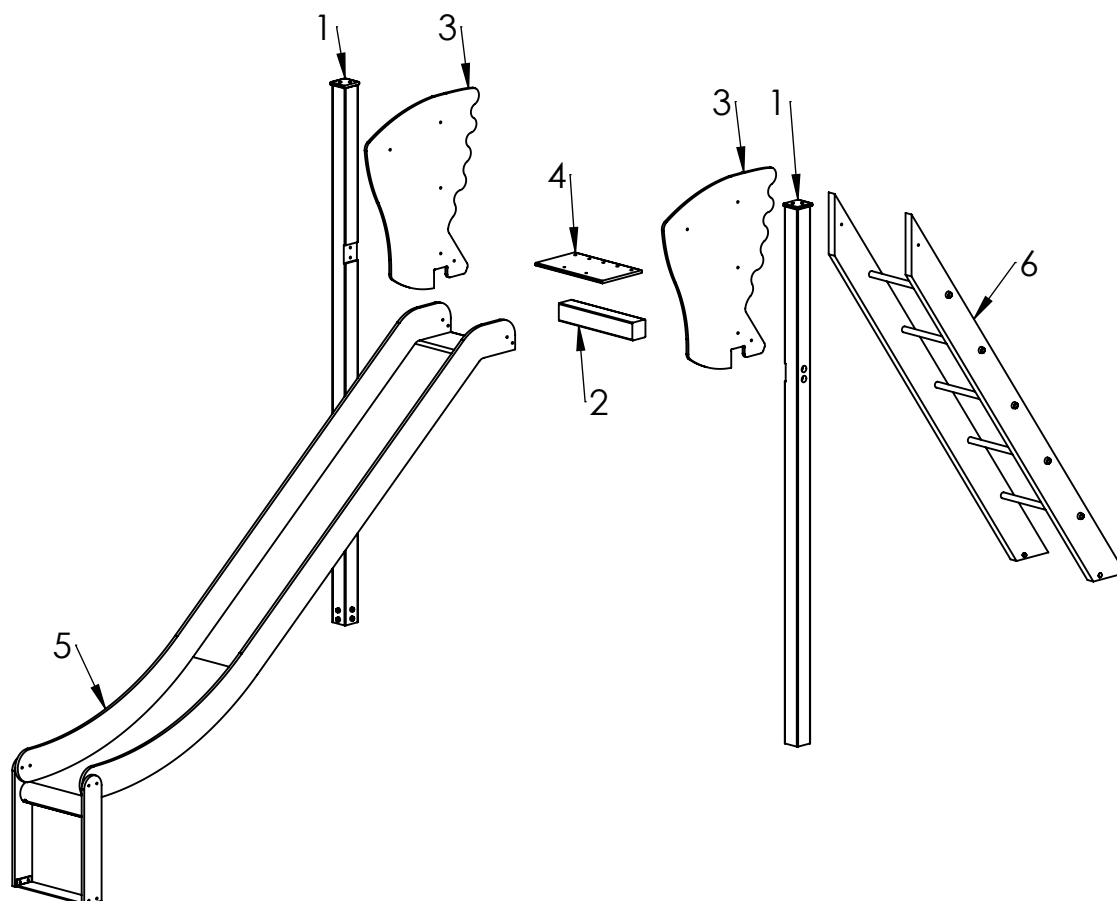
MATERIAL:	wood, metal, plastic	A4
WEIGHT:	SCALE: 1:60	SHEET 4 OF 9

A

B

C

D



E

F

ITEM NO.	PART NUMBER	DESCRIPTION	QTY.
1	post 98x98x2950	laminated wood	2
2	beam 98x98x550	laminated wood	1
3	slide side panel	plywood	2
4	panel 300x500	PE plastic	1
5	slide h_2150	stainless steel, PE plastic	1
6	ladder	wood, metal	1

UNLESS OTHERWISE SPECIFIED:
DIMENSIONS ARE IN MILLIMETERS
WEIGHT ARE IN KILOGRAMM

PART NUMBER / DWG NO.:

LM012

	NAME	SIGNATURE	DATE	REVISION
DRAWN	M.Rebase		17.05.2012	
APPV'D				

DESCRIPTION:

Slide BIA

MATERIAL:

wood, metal, plastic

A4

WEIGHT:

SCALE: 1:40

SHEET 5 OF 9



Tiptiptap OÜ

Tiptiptap OÜ
Veetorni 9,
Jüri alevik, Rae vald,
75301 Harjumaa

A

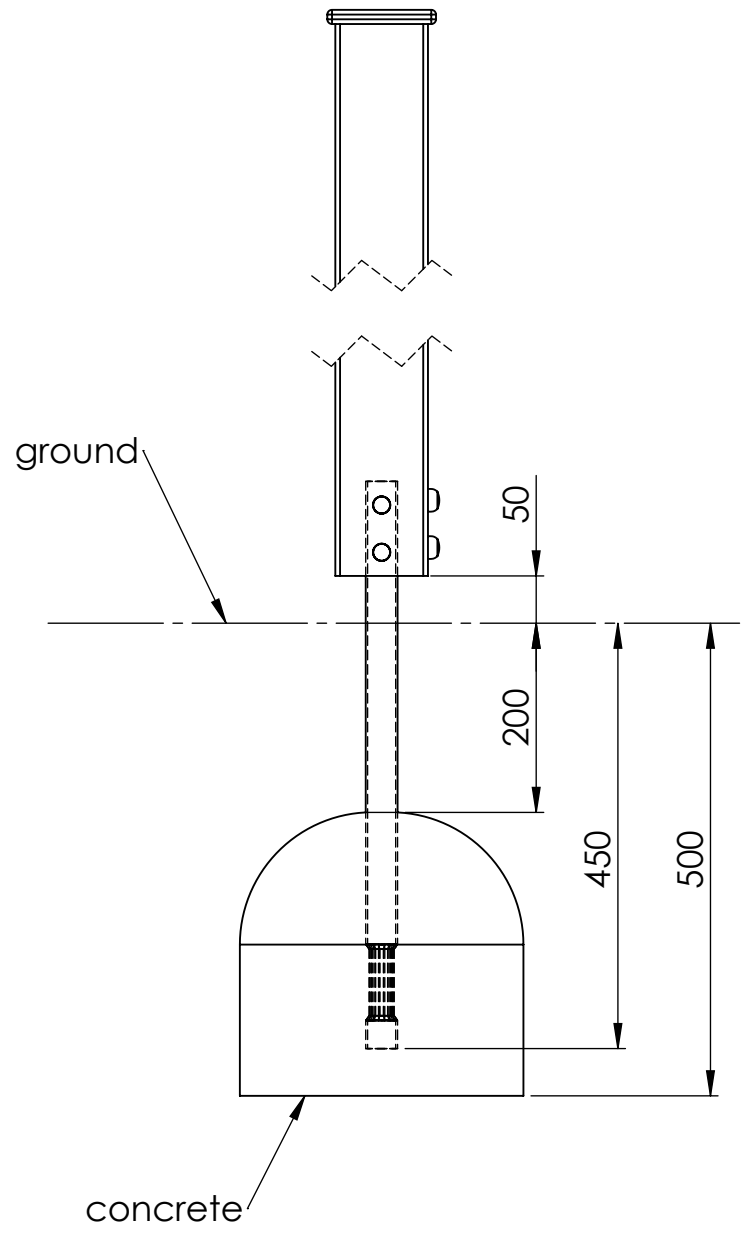
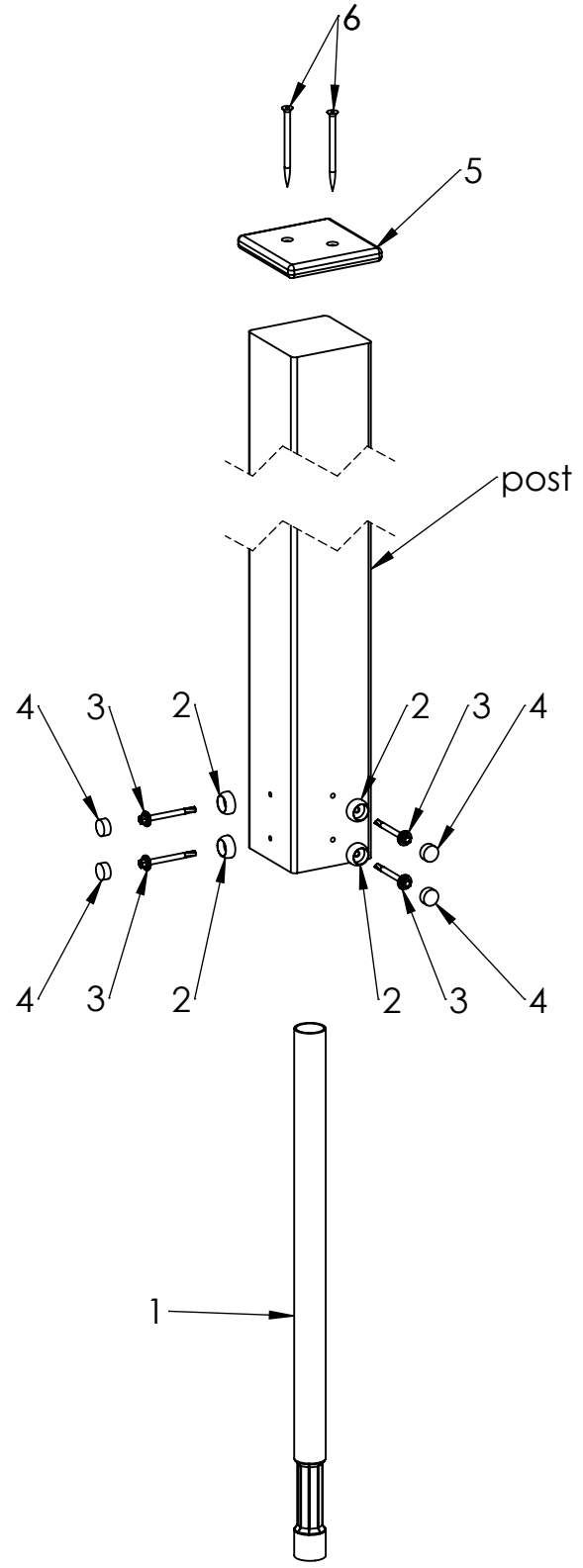
B

C

D

E

F



ITEM NO.	PART NUMBER
1	metal ground fixing L_600
2	nut cover M6
3	screw DIN7504K 5,5x68
4	nut cover cap M6
5	plastic cap 115x115
6	woodscrew 6 x 90

UNLESS OTHERWISE SPECIFIED: DIMENSIONS ARE IN MILLIMETERS WEIGHT ARE IN KILOGRAMM				
	NAME	SIGNATURE	DATE	REVISION
DRAWN	M.Rebase		17.05.2012	
APPV'D				

PART NUMBER / DWG NO.:	LM012
DESCRIPTION:	Slide BIA connecting metal ground fixing to post



Tiptaptap OÜ

Tiptaptap OÜ
Veetorni 9,
Jüri alevik, Rae vald,
75301 Harjumaa

MATERIAL:	wood, metal, plastic	A4
WEIGHT:	SCALE: 1:8	SHEET 6 OF 9

A

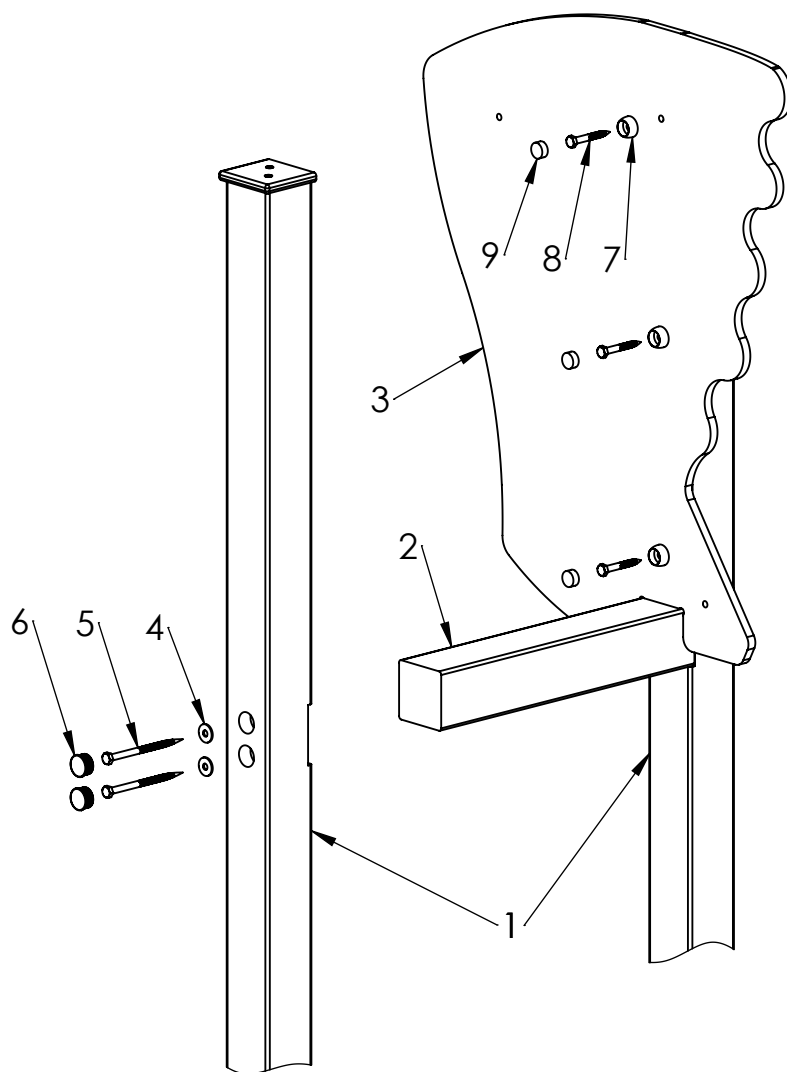
B

C

D

E

F



ITEM NO.	PART NUMBER
1	post 98x98x2950
2	beam 98x98x550
3	slide side panel
4	washer M10
5	screw DIN571 10x160
6	plastic cap
7	nut cover M10
8	wood screw DIN571 10x80
9	nut cover cap M10

UNLESS OTHERWISE SPECIFIED:
DIMENSIONS ARE IN MILLIMETERS
WEIGHT ARE IN KILOGRAMM

	NAME	SIGNATURE	DATE	REVISION
DRAWN	M.Rebase		17.05.2012	
APPV'D				

PART NUMBER / DWG NO.:

LM012

DESCRIPTION:

Slide BIA

MATERIAL:

wood, metal, plastic

A4

WEIGHT:

SCALE: 1:12

SHEET 7 OF 9



Tiptaptap OÜ

Tiptaptap OÜ
Veetorni 9,
Jüri alevik, Rae vald,
75301 Harjumaa

A

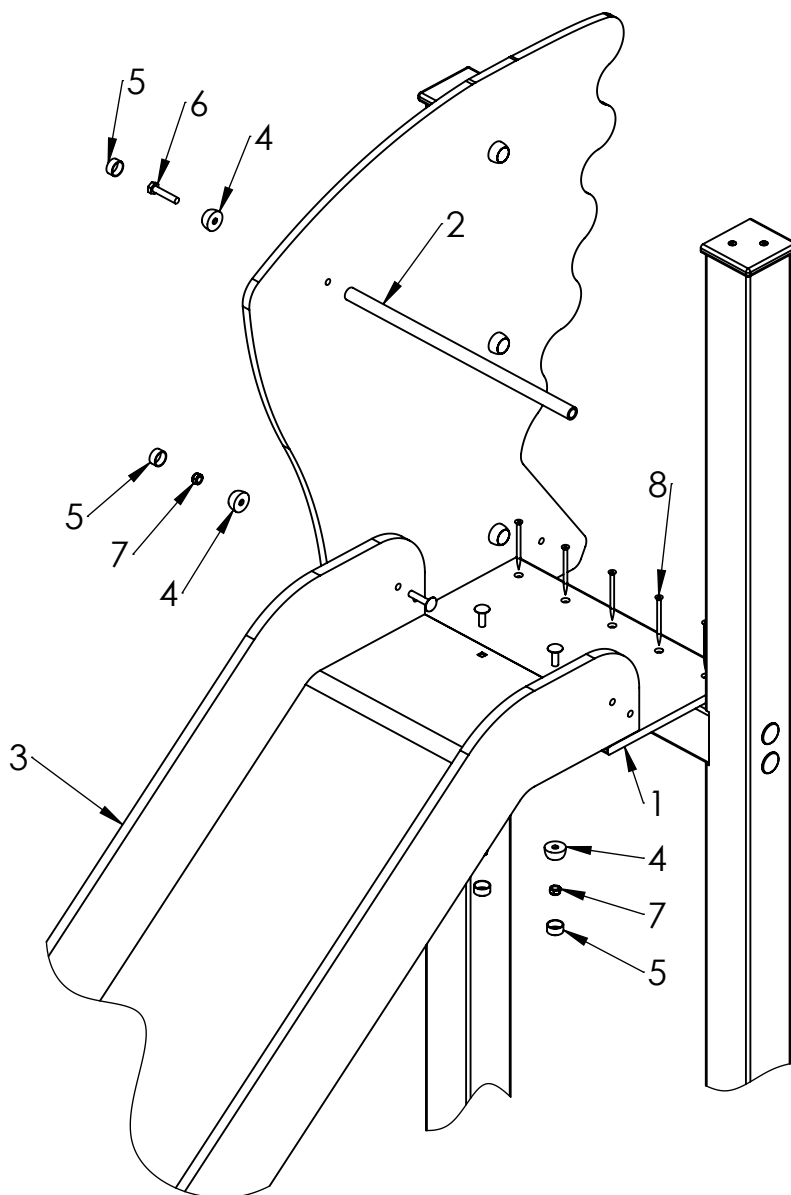
B

C

D

E

F



ITEM NO.	PART NUMBER
1	panel 300x500
2	slide guardrail
3	slide side board h_2150
4	nut cover M10
5	nut cover cap M10
6	bolt DIN933 M10x50
7	nut DIN985 M10
8	woodscrew 6 x 90

UNLESS OTHERWISE SPECIFIED:
DIMENSIONS ARE IN MILLIMETERS
WEIGHT ARE IN KILOGRAMM

	NAME	SIGNATURE	DATE	REVISION
DRAWN	M.Rebase		17.05.2012	
APPV'D				

PART NUMBER / DWG NO.:

LM012

DESCRIPTION:

Slide BIA

MATERIAL:

wood, metal, plastic

A4

WEIGHT:

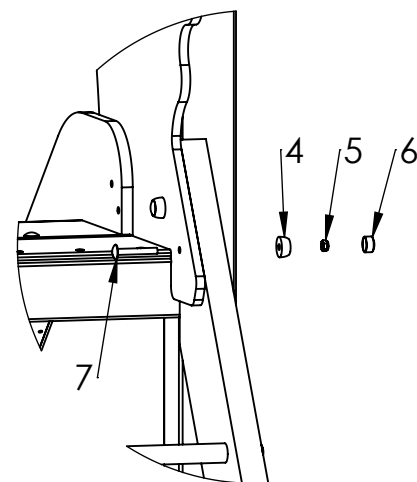
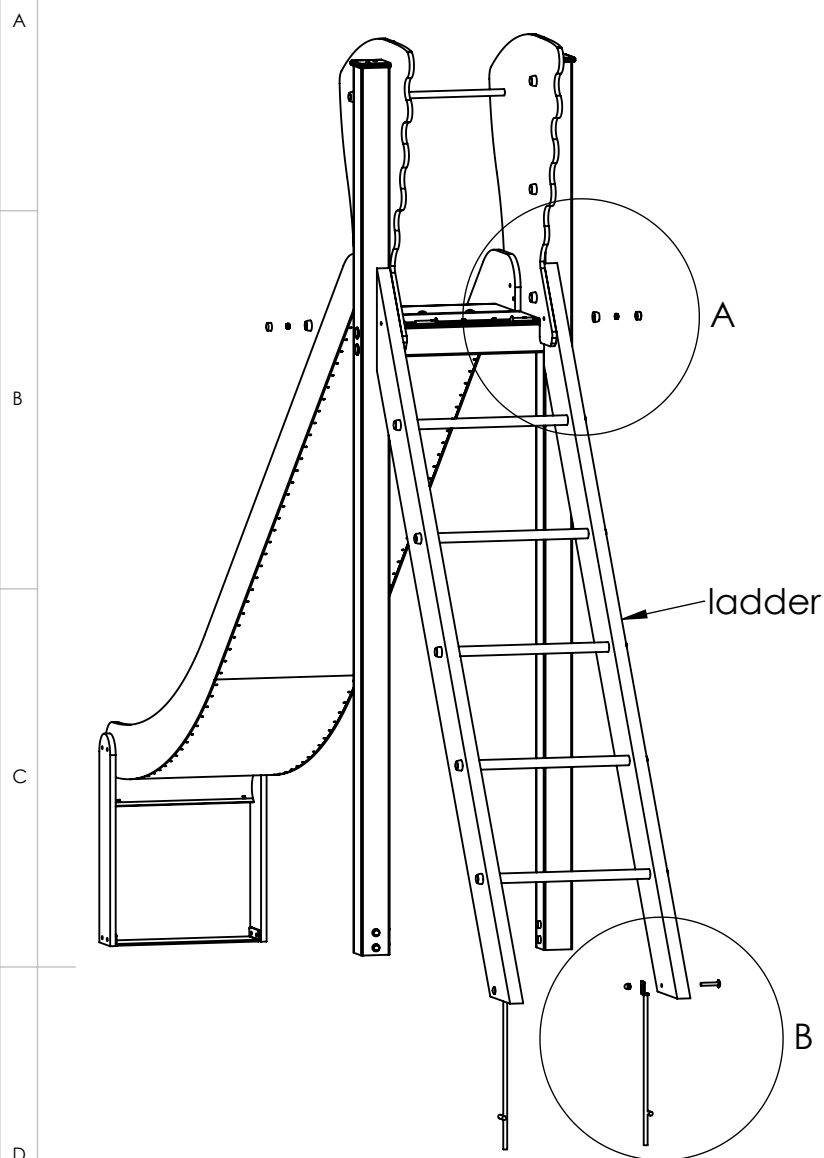
SCALE: 1:12

SHEET 8 OF 9

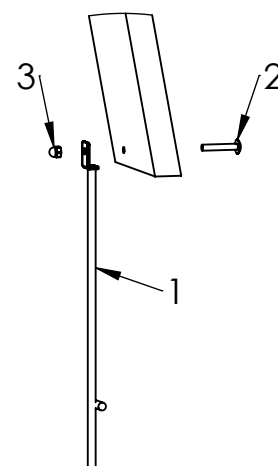


Tiptaptap OÜ

Tiptaptap OÜ
Veetorni 9,
Jüri alevik, Rae vald,
75301 Harjumaa



DETAIL A
SCALE 2 : 25



DETAIL B
SCALE 2 : 25

ITEM NO.	PART NUMBER
1	ground fixing L-shape
2	bolt DIN603 M10x60
3	domed cap nut DIN1587 M10
4	nut cover M10
5	nut DIN985 M10
6	nut cover cap M10
7	bolt DIN603 M10x70

UNLESS OTHERWISE SPECIFIED:
DIMENSIONS ARE IN MILLIMETERS
WEIGHT ARE IN KILOGRAMM

	NAME	SIGNATURE	DATE	REVISION
DRAWN	M.Rebase		17.05.2012	
APPV'D				

PART NUMBER / DWG NO.:

LM012

DESCRIPTION:

Slide BIA

MATERIAL:

wood, metal, plastic

A4

WEIGHT:

SCALE: 1:25

SHEET 9 OF 9



Tiptiptap OÜ

Tiptiptap OÜ
Veetorni 9,
Jüri alevik, Rae vald,
75301 Harjumaa