

A

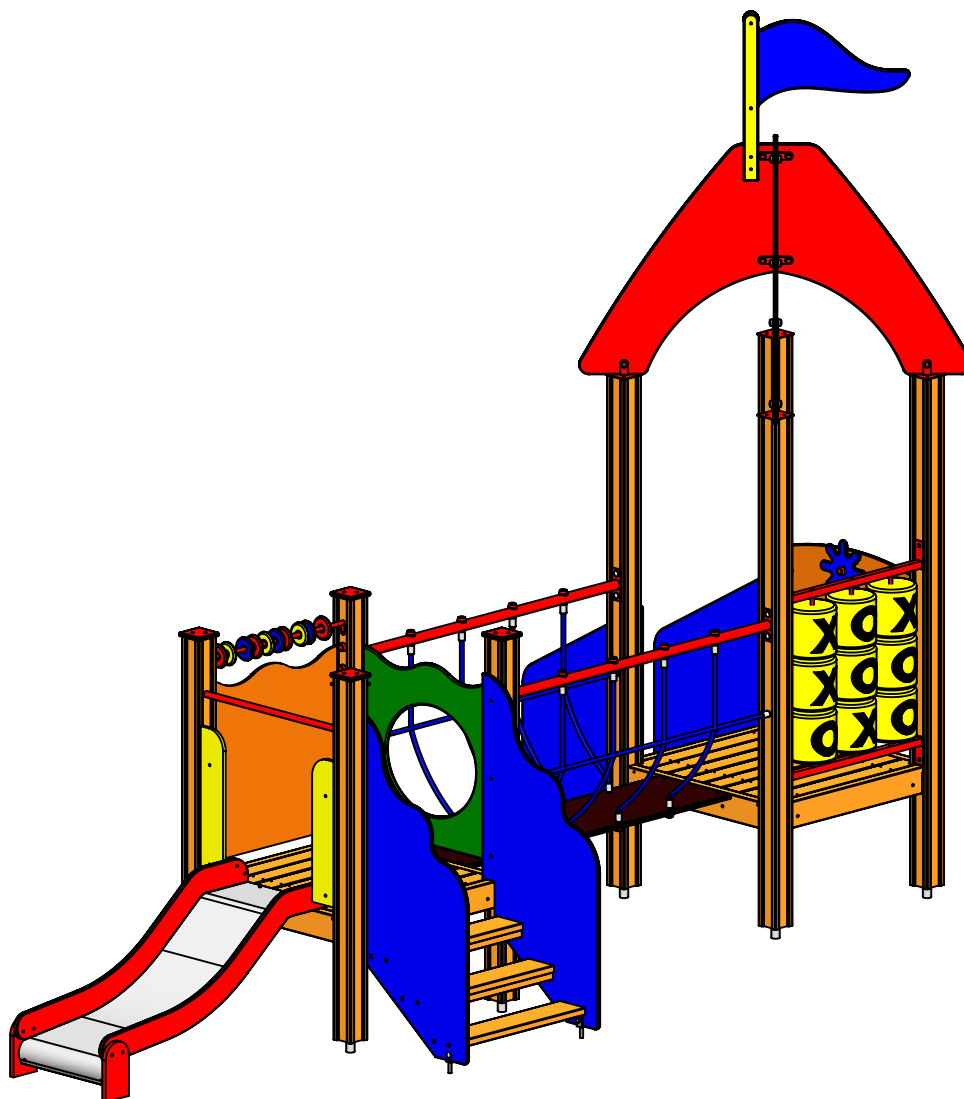
B

C

D

E

F



UNLESS OTHERWISE SPECIFIED:
DIMENSIONS ARE IN MILLIMETERS
WEIGHT ARE IN KILOGRAMM

PART NUMBER / DWG NO.:

LM010

	NAME	SIGNATURE	DATE	REVISION
DRAWN	M.Rebase		13.04.2015	
APPV'D				

DESCRIPTION:

Play centre BRITA



Tiptaptap OÜ

Tiptaptap OÜ
Veetorni 9,
Jüri alevik, Rae vald,
75301 Harjumaa

MATERIAL:

wood, metal, plastic

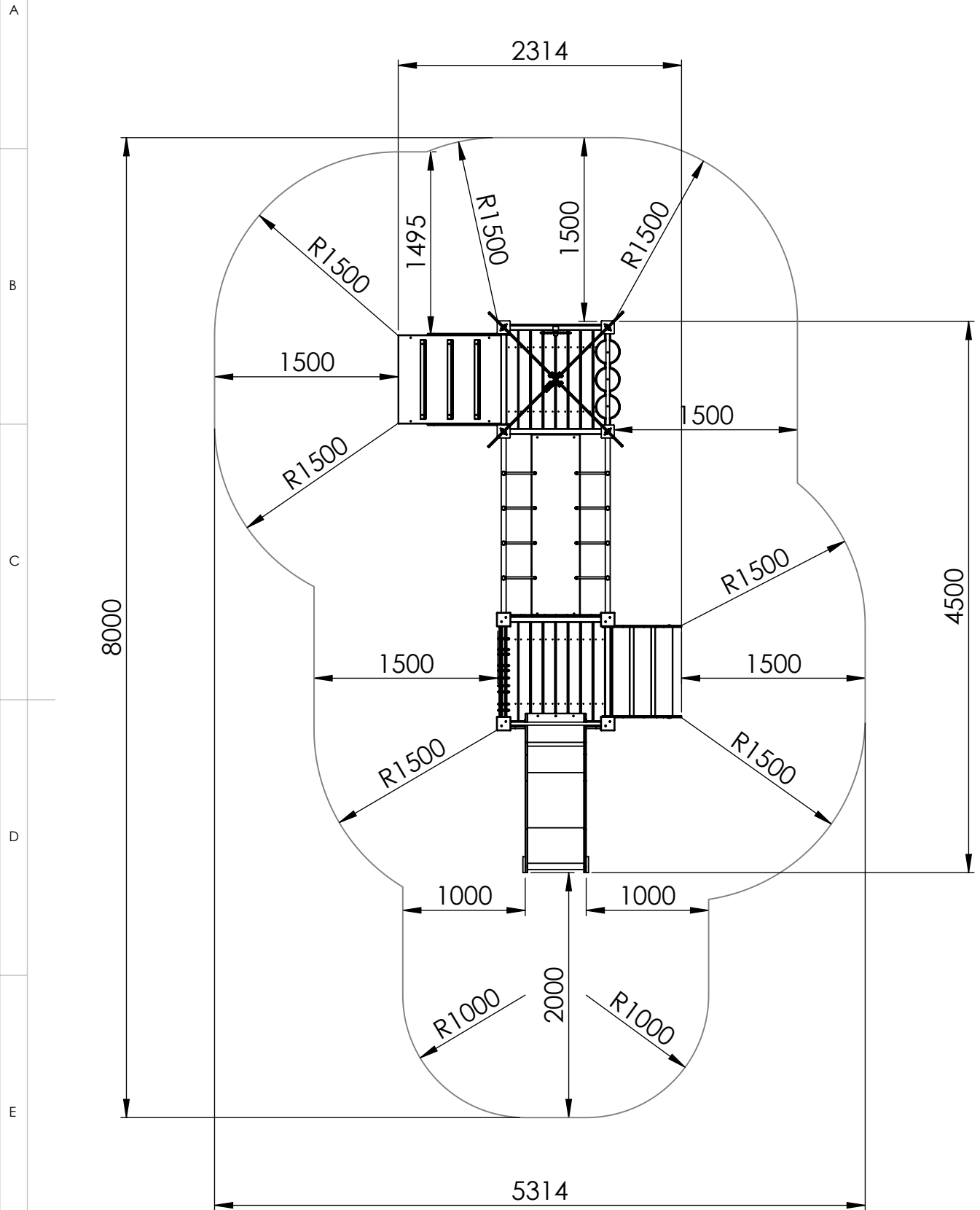
A4

WEIGHT:

SCALE: 1:30

SHEET 1 OF 16

safety area



UNLESS OTHERWISE SPECIFIED:
DIMENSIONS ARE IN MILLIMETERS
WEIGHT ARE IN KILOGRAMM

PART NUMBER / DWG NO.:

LM010

	NAME	SIGNATURE	DATE	REVISION
DRAWN	M.Rebase		13.04.2015	
APPV'D				

DESCRIPTION:

Play centre BRITA



Tiptaptap OÜ

Tiptaptap OÜ
Veetorni 9,
Jüri alevik, Rae vald,
75301 Harjumaa

MATERIAL:

wood, metal, plastic

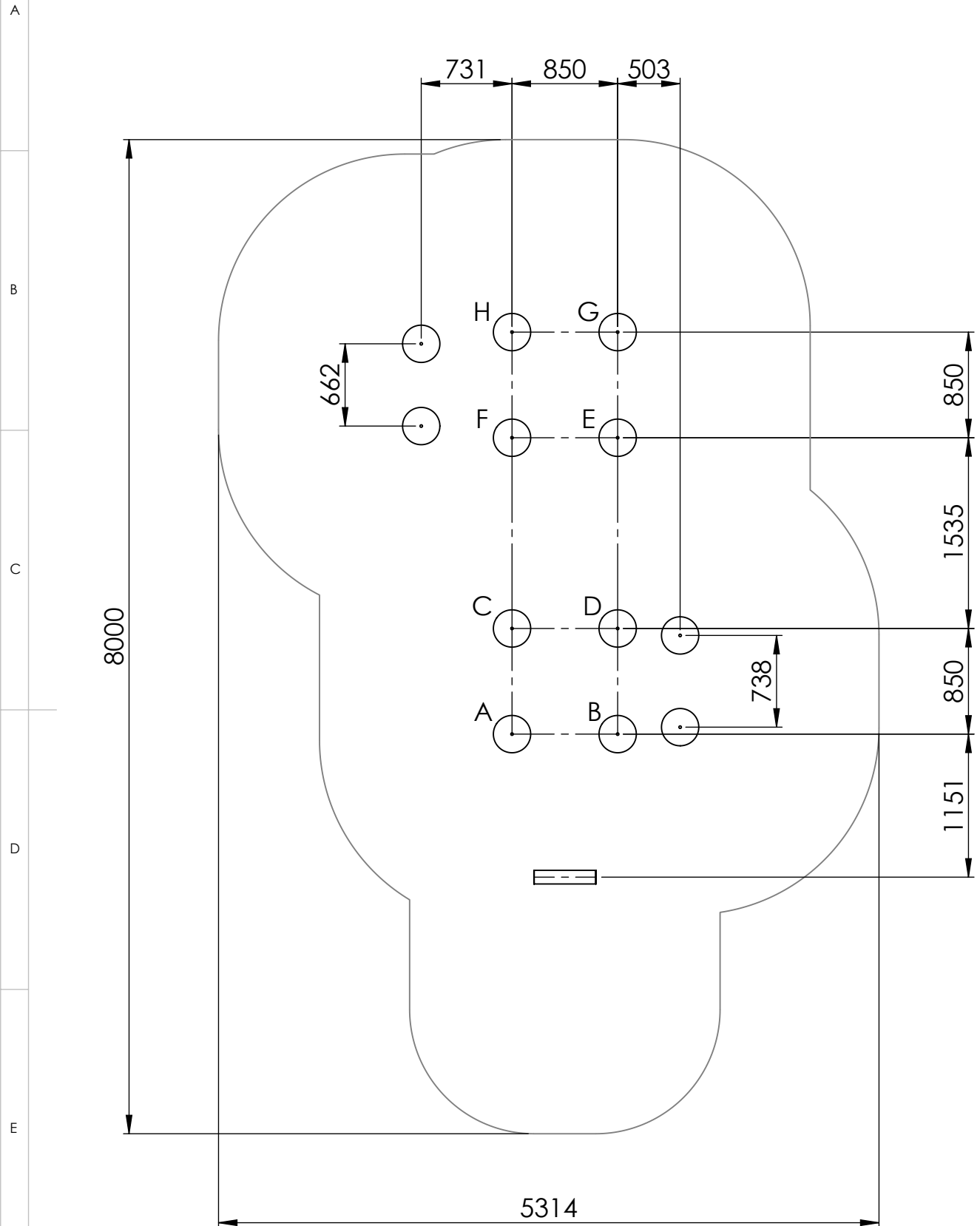
A4

WEIGHT:

SCALE: 1:45

SHEET 2 OF 16

foundation



UNLESS OTHERWISE SPECIFIED:
DIMENSIONS ARE IN MILLIMETERS
WEIGHT ARE IN KILOGRAMM

PART NUMBER / DWG NO.:

LM010

	NAME	SIGNATURE	DATE	REVISION
DRAWN	M.Rebase		13.04.2015	
APPV'D				

DESCRIPTION:

Play centre BRITA



Tiptaptap OÜ

Tiptaptap OÜ
Veetorni 9,
Jüri alevik, Rae vald,
75301 Harjumaa

MATERIAL:

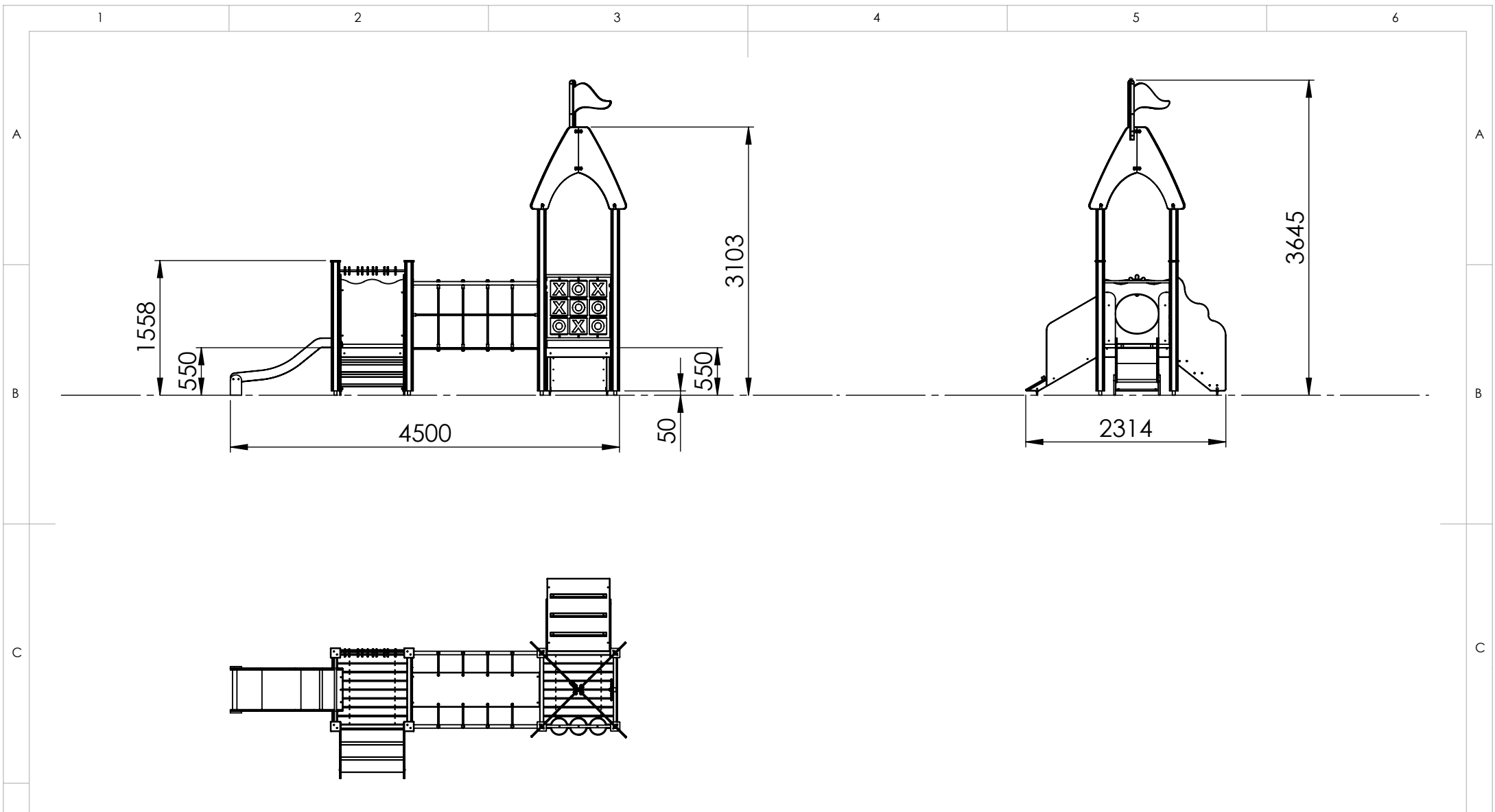
wood, metal, plastic


A4

WEIGHT:

SCALE: 1:45

SHEET 3 OF 16



UNLESS OTHERWISE SPECIFIED: DIMENSIONS ARE IN MILLIMETERS WEIGHT ARE IN KILOGRAMM					PART NUMBER / DWG NO.: LM010	
	NAME	SIGNATURE	DATE	REVISION	DESCRIPTION: Play centre BRITA	
DRAWN	M.Rebase		13.04.2015			
APPV'D						
 Tiptaptap OÜ Veetorni 9, Jüri alevik, Rae vald, 75301 Harjumaa					MATERIAL:	wood, metal, plastic
					WEIGHT:	

A

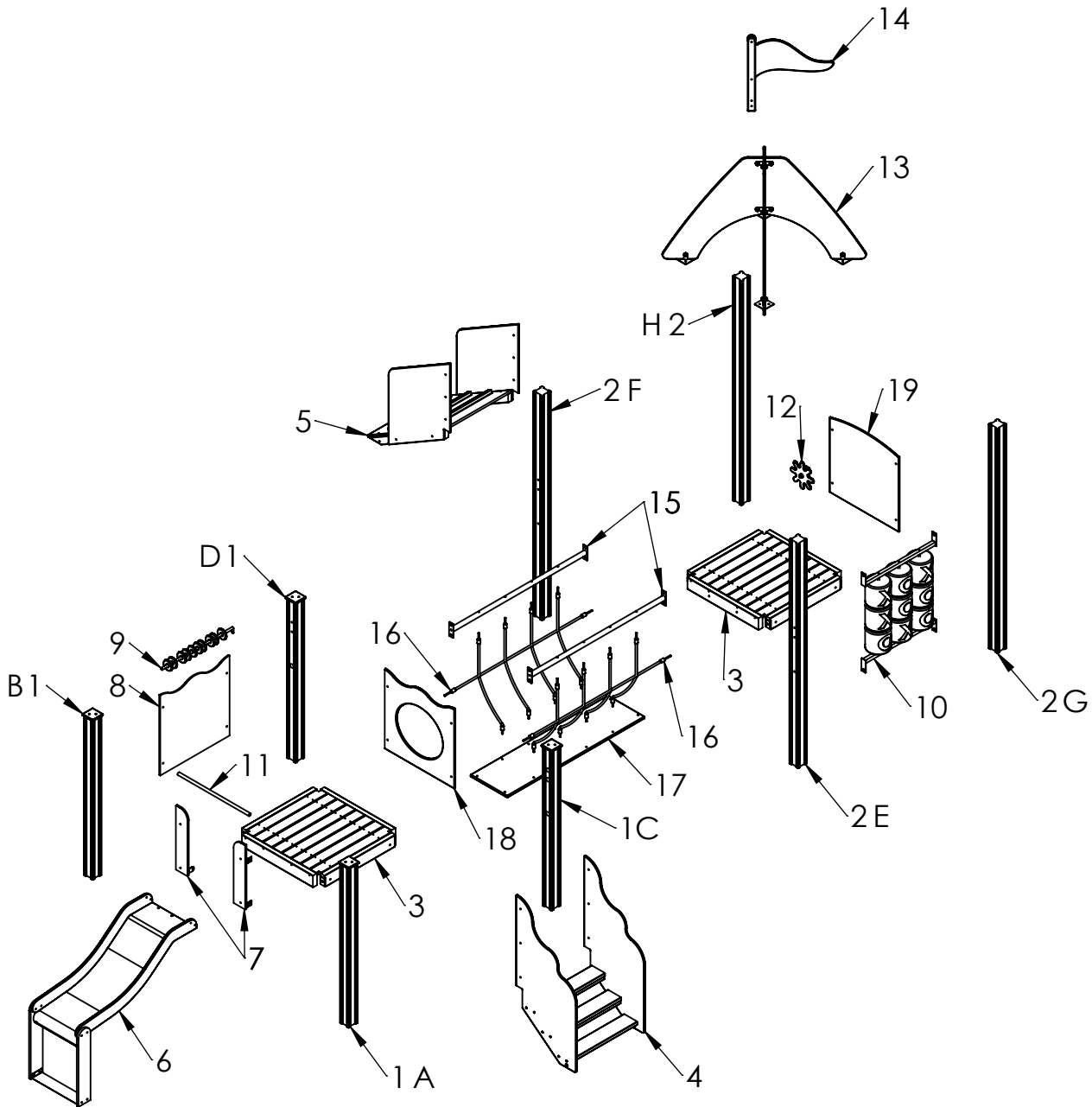
B

C

D

E

F



UNLESS OTHERWISE SPECIFIED: DIMENSIONS ARE IN MILLIMETERS WEIGHT ARE IN KILOGRAMM				
	NAME	SIGNATURE	DATE	REVISION
DRAWN	M.Rebase		13.04.2015	
APPV'D				

PART NUMBER / DWG NO.: **LM010**

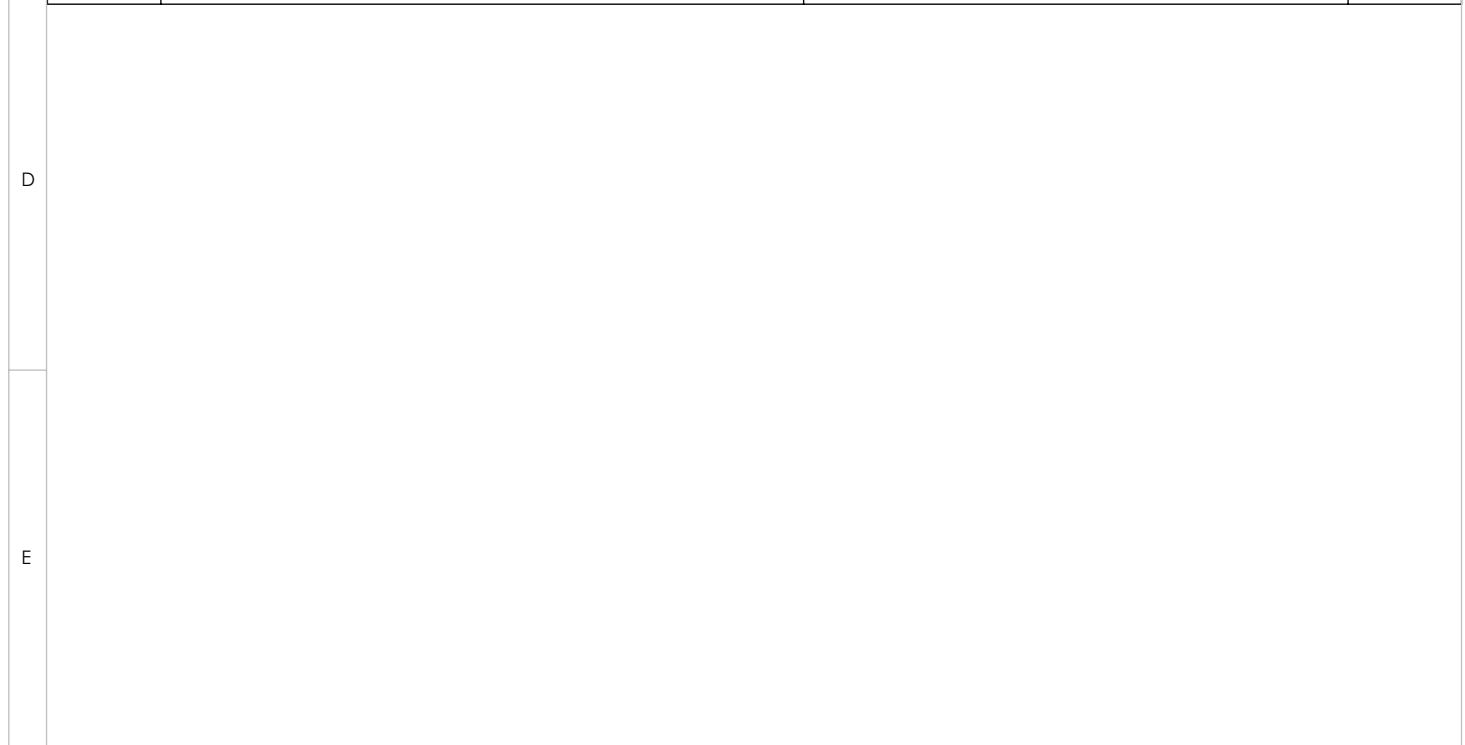
DESCRIPTION: **Play centre BRITA**



Tiptaptap OÜ
Veetorni 9,
Jüri alevik, Rae vald,
75301 Harjumaa

MATERIAL:	wood, metal, plastic	A4
WEIGHT:	SCALE: 1:50	SHEET 5 OF 16

ITEM NO.	PART NUMBER	DESCRIPTION	QTY.
1	post 98x98x1500	laminated wood	4
2	post 98x98x2100	laminated wood	4
3	platform	laminated wood, metal	2
4	stairs h_550	plywood, wood	1
5	climbing ramp h_550	plywood, wood	1
6	slide h_550	PE plastic, stainles steel	1
7	slide side panels with fixings	plywood, metal	1
8	panel 750x750	plywood	1
9	counting rings	painted steel, PE plastic	1
10	OXO spinner	PE plastic	1
11	tube ϕ 25x770	painted steel	1
12	captain wheel with fixings	plastic, metal	1
13	roof	plywood	1
14	flag	PE plastic	1
15	beam 40x1455 for net	painted steel	2
16	ropes for bridge	PP covered steel wire	2
17	bridge	plywood	1
18	panel 750x750 with hole	plywood	1
19	panel 750x750	plywood	1



UNLESS OTHERWISE SPECIFIED: DIMENSIONS ARE IN MILLIMETERS WEIGHT ARE IN KILOGRAMM				
	NAME	SIGNATURE	DATE	REVISION
DRAWN	M.Rebase		13.04.2015	
APPV'D				

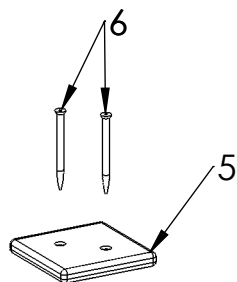
PART NUMBER / DWG NO.:	LM010
DESCRIPTION:	Play centre BRITA



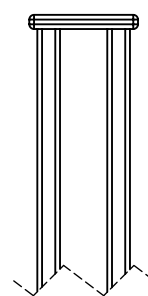
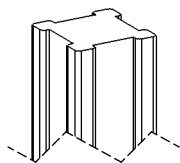
Tiptiptap OÜ
Veetorni 9,
Jüri alevik, Rae vald,
75301 Harjumaa

MATERIAL:	wood, metal, plastic	A4
WEIGHT:		SCALE: 1:50
		SHEET 6 OF 16

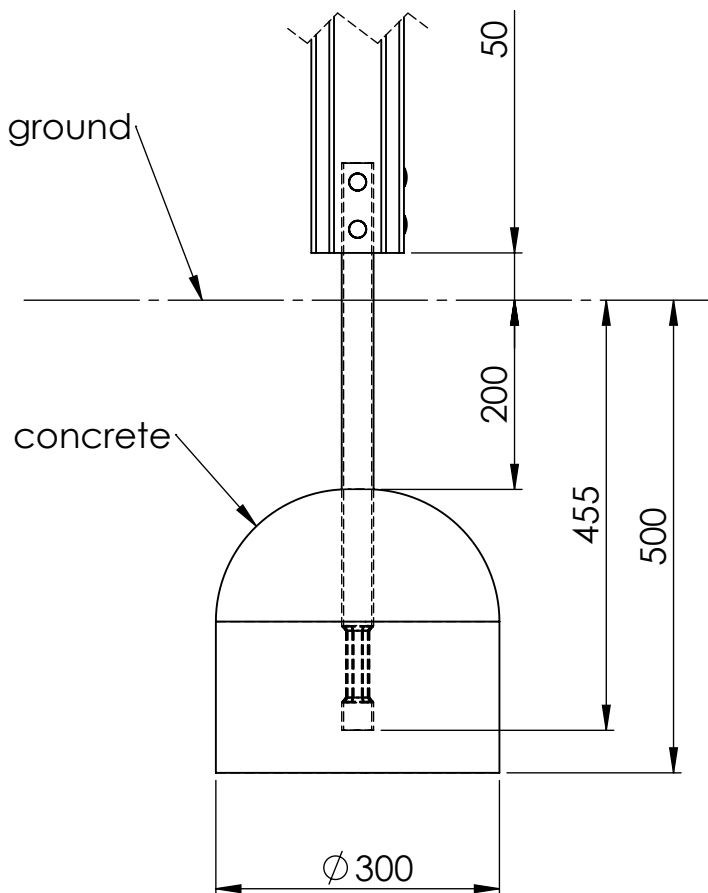
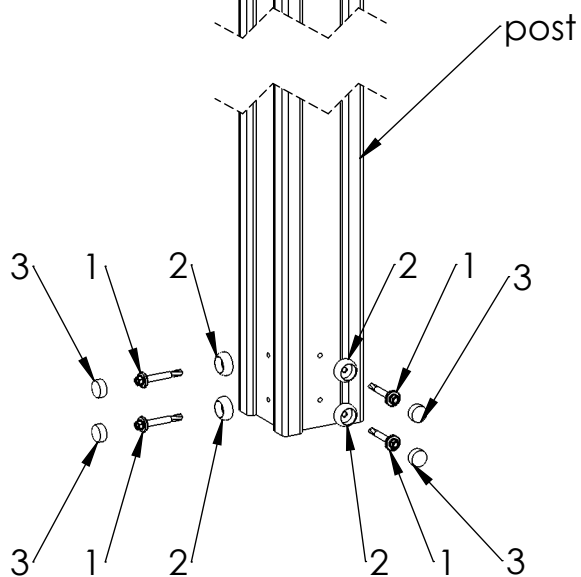
A



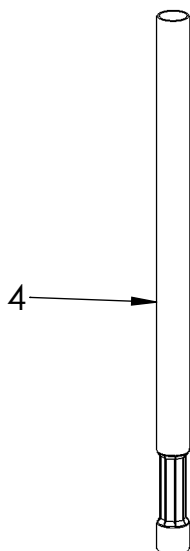
B



C



D



E

ITEM NO.	PART NUMBER
1	screw DIN7504K 5,5x50
2	nut cover M6
3	nut cover cap M6
4	metal ground fixing L_600
5	plastic cap 115x115
6	woodscrew 6 x 90

UNLESS OTHERWISE SPECIFIED:
DIMENSIONS ARE IN MILLIMETERS
WEIGHT ARE IN KILOGRAMM

PART NUMBER / DWG NO.:

LM010

	NAME	SIGNATURE	DATE	REVISION
DRAWN	M.Rebase		13.04.2015	
APPV'D				

DESCRIPTION:

Play centre BRITA
connecting metal ground fixing to post

F



Tiptiptap OÜ

Tiptiptap OÜ
Veetorni 9,
Jüri alevik, Rae vald,
75301 Harjumaa

MATERIAL:

wood, metal, plastic

A4

WEIGHT:

SCALE: 1:8

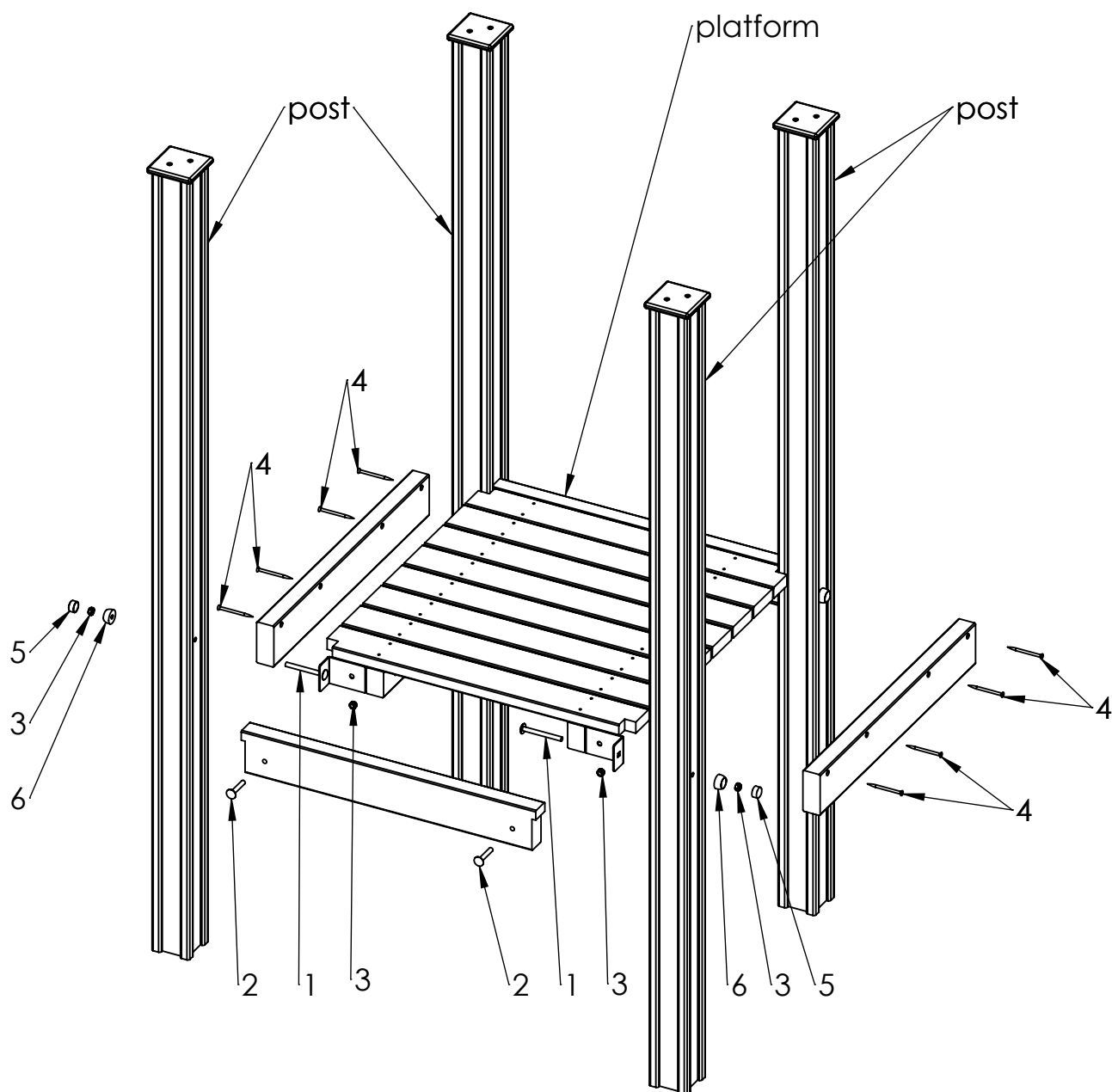
SHEET 7 OF 16

A

B

C

D



E

ITEM NO.	PART NUMBER
1	bolt DIN603 M10x100
2	bolt DIN603 M10x60
3	nut DIN985 M10
4	woodscrew 6 x 90
5	nut cover cap M10
6	nut cover M10

F

UNLESS OTHERWISE SPECIFIED:
DIMENSIONS ARE IN MILLIMETERS
WEIGHT ARE IN KILOGRAMM

	NAME	SIGNATURE	DATE	REVISION
DRAWN	M.Rebase		13.04.2015	
APPV'D				

PART NUMBER / DWG NO.:

LM010

DESCRIPTION:

Play centre BRITA
connecting platform to post

MATERIAL:

wood, metal, plastic

A4

WEIGHT:

SCALE: 1:15

SHEET 8 OF 16



Tiptiptap OÜ

Tiptiptap OÜ
Veetorni 9,
Jüri alevik, Rae vald,
75301 Harjumaa

A

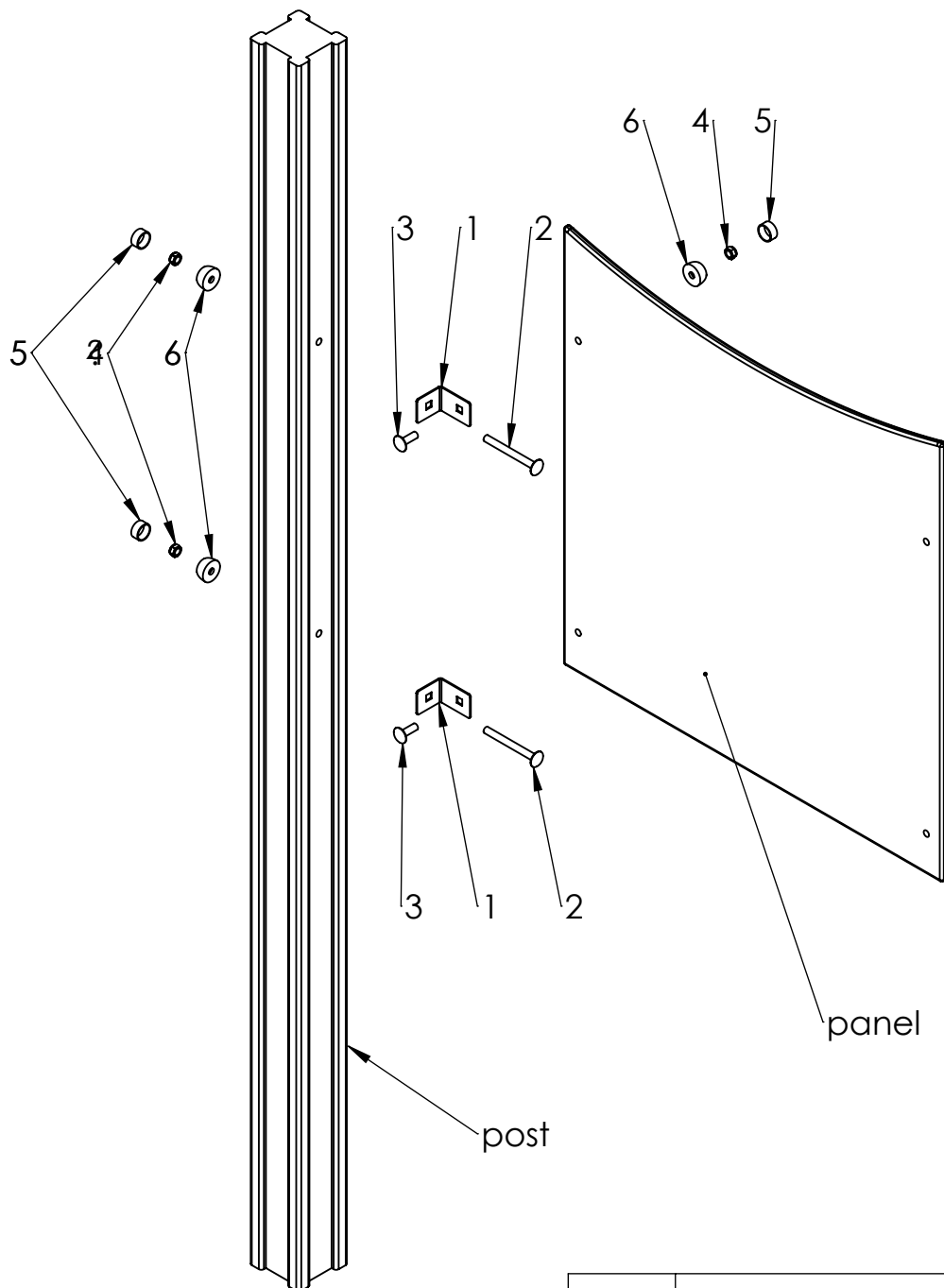
B

C

D

E

F



ITEM NO.	PART NUMBER
1	corner 48x60
2	bolt DIN603 M10x100
3	bolt DIN603 M10x30
4	nut DIN985 M10
5	nut cover cap M10
6	nut cover M10

UNLESS OTHERWISE SPECIFIED:
DIMENSIONS ARE IN MILLIMETERS
WEIGHT ARE IN KILOGRAMM

PART NUMBER / DWG NO.:

LM010

	NAME	SIGNATURE	DATE	REVISION
DRAWN	M.Rebase		13.04.2015	
APPV'D				

DESCRIPTION:

Play centre BRITA
connecting panel to post

MATERIAL:

wood, metal, plastic

A4

WEIGHT:

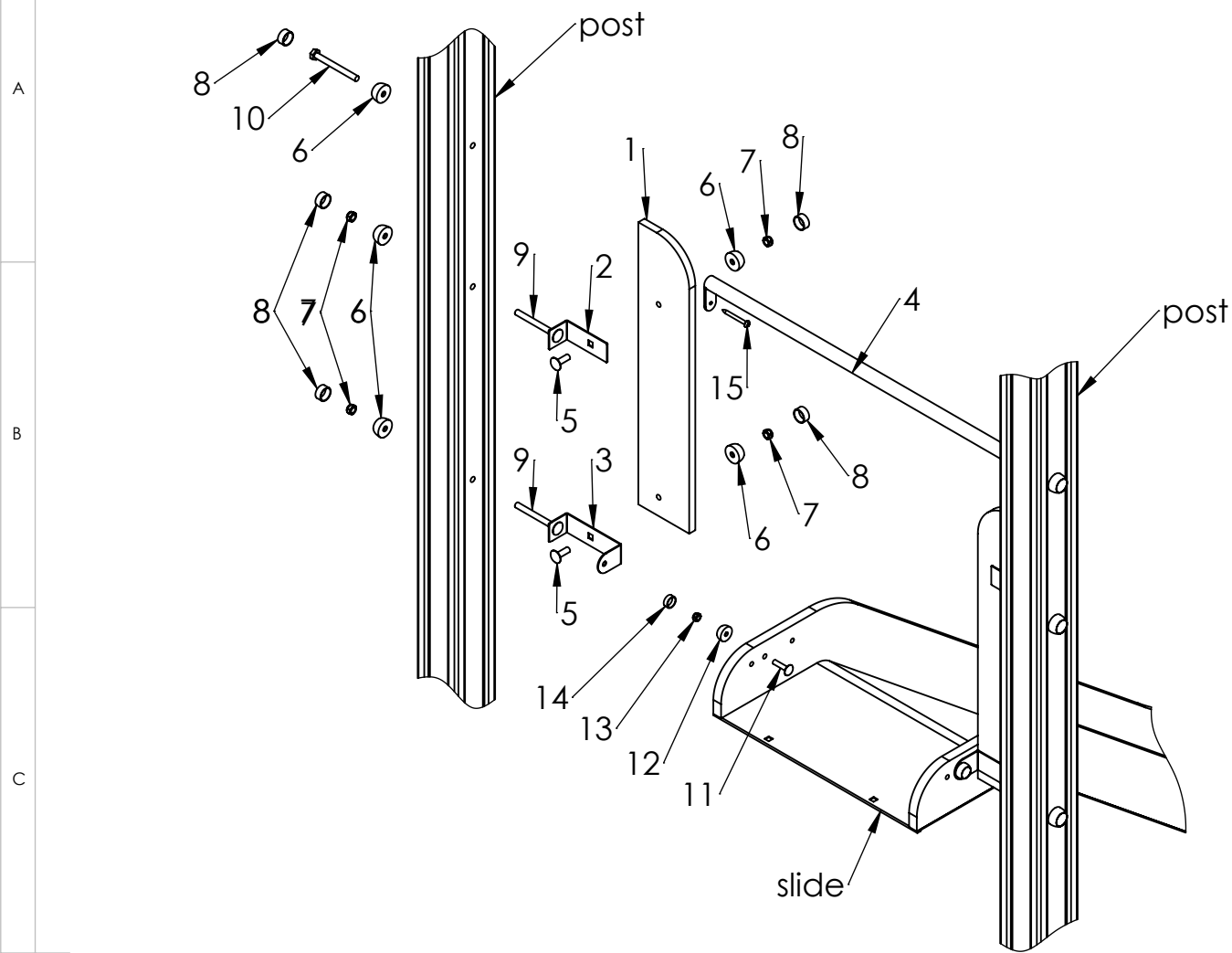
SCALE: 1:10

SHEET 9 OF 16



Tiptiptap OÜ

Tiptiptap OÜ
Veetorni 9,
Jüri alevik, Rae vald,
75301 Harjumaa



ITEM NO.	PART NUMBER
1	slide side panel 125x600
2	slide side panel fixing 40x100
3	slide side panel fixing 40x135
4	guardrail ϕ 25x770
5	bolt DIN603 M10x30
6	nut cover M10
7	nut DIN985 M10
8	nut cover cap M10
9	bolt DIN603 M10x100
10	bolt DIN931 M10x100
11	bolt DIN603 M8x35
12	nut cover M8
13	nut DIN985 M8
14	nut cover cap M8
15	screw DIN7996 6x60

UNLESS OTHERWISE SPECIFIED:
DIMENSIONS ARE IN MILLIMETERS
WEIGHT ARE IN KILOGRAMM

PART NUMBER / DWG NO.:

LM010

	NAME	SIGNATURE	DATE	REVISION
DRAWN	M.Rebase		13.04.2015	
APPV'D				

DESCRIPTION:

Play centre BRITA
connecting slide side panel to post

MATERIAL:

wood, metal, plastic

A4

WEIGHT:

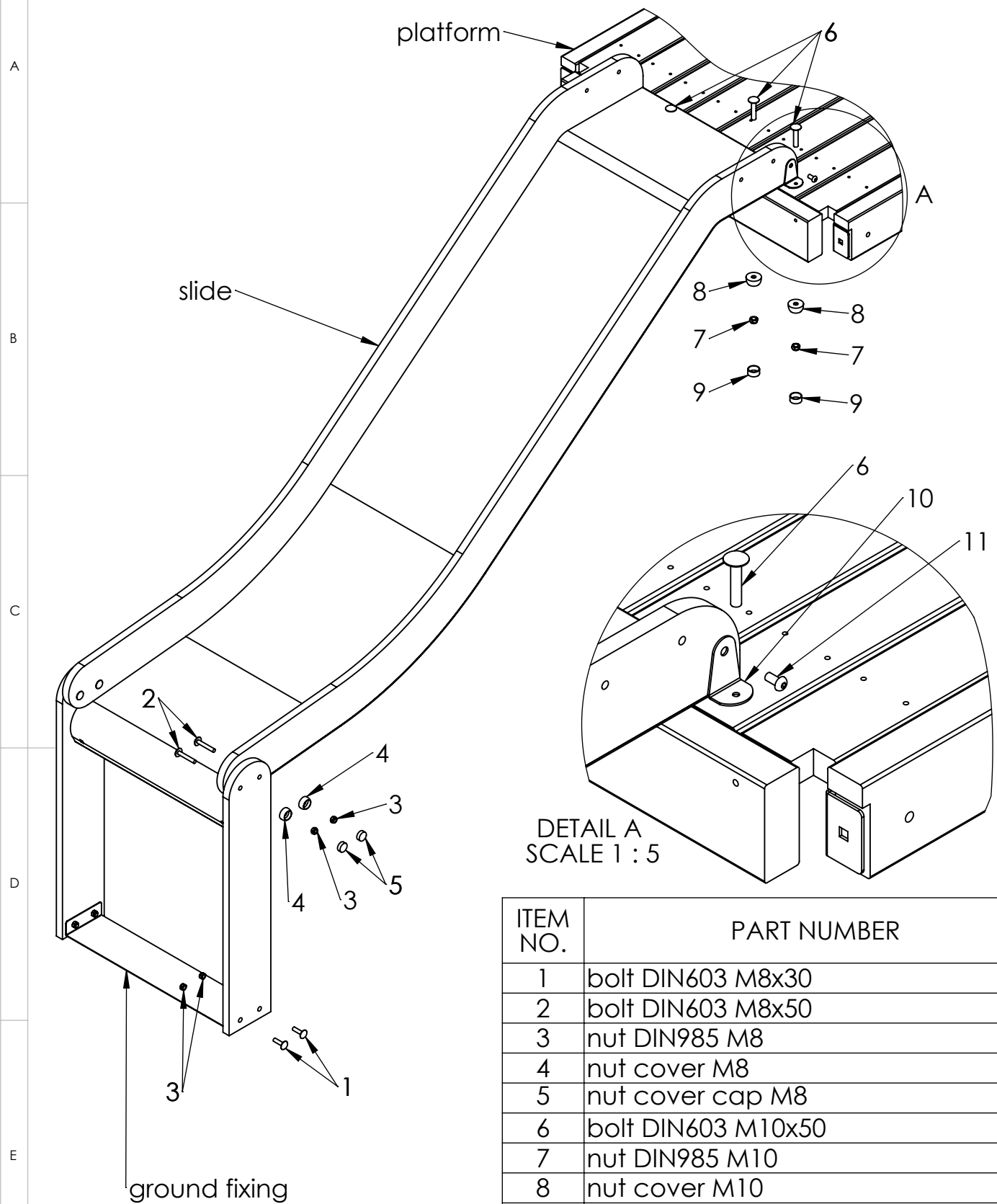
SCALE: 1:12

SHEET 10 OF 16



Tiptaptap OÜ

Tiptaptap OÜ
Veetorni 9,
Jüri alevik, Rae vald,
75301 Harjumaa



DETAIL A
SCALE 1 : 5

ITEM NO.	PART NUMBER
1	bolt DIN603 M8x30
2	bolt DIN603 M8x50
3	nut DIN985 M8
4	nut cover M8
5	nut cover cap M8
6	bolt DIN603 M10x50
7	nut DIN985 M10
8	nut cover M10
9	nut cover cap M10
10	corner 58x30
11	metal screw DIN 7380 M8x16

UNLESS OTHERWISE SPECIFIED:
DIMENSIONS ARE IN MILLIMETERS
WEIGHT ARE IN KILOGRAMM

	NAME	SIGNATURE	DATE	REVISION
DRAWN	M.Rebase		13.04.2015	
APPV'D				

PART NUMBER / DWG NO.:

LM010

DESCRIPTION:

Play centre BRITA
connecting slide to platform

MATERIAL:

wood, metal, plastic

A4

WEIGHT:

SCALE: 1:12

SHEET 11 OF 16



Tiptap OÜ

Tiptap OÜ
Veetorni 9,
Jüri alevik, Rae vald,
75301 Harjumaa

A

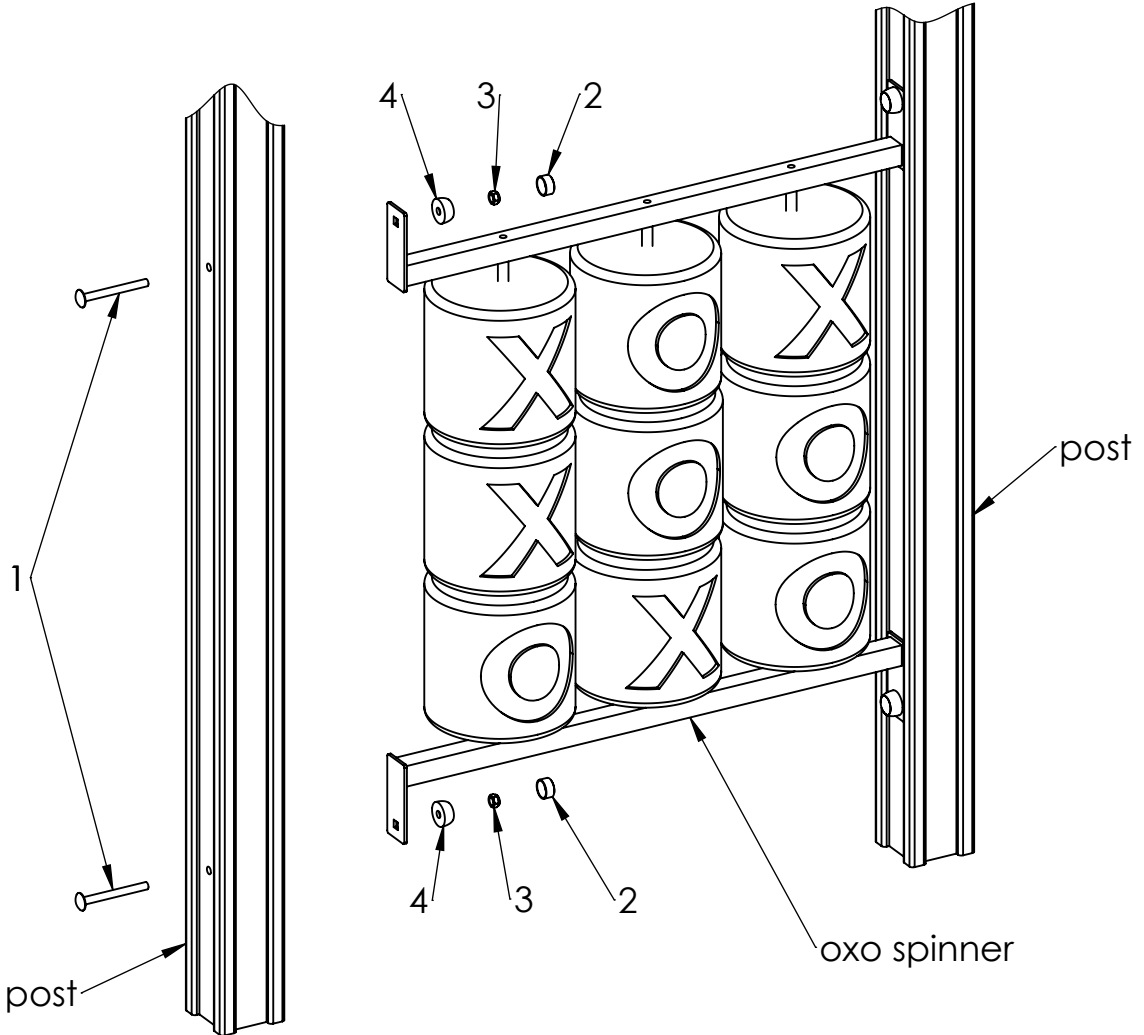
B

C

D

E

F



ITEM NO.	PART NUMBER
1	bolt DIN603 M10x100
2	nut cover cap M10
3	nut DIN985 M10
4	nut cover M10

UNLESS OTHERWISE SPECIFIED:
 DIMENSIONS ARE IN MILLIMETERS
 WEIGHT ARE IN KILOGRAMM

	NAME	SIGNATURE	DATE	REVISION
DRAWN	M.Rebase		13.04.2015	
APPV'D				

PART NUMBER / DWG NO.:
LM010

DESCRIPTION:
**Play centre BRITA
 connecting oxo spinner to post**



Tiptaptap OÜ

Tiptaptap OÜ
 Veetorni 9,
 Jüri alevik, Rae vald,
 75301 Harjumaa

MATERIAL:
 wood, metal, plastic

A4

WEIGHT: SCALE: 1:10 SHEET 12 OF 16

A

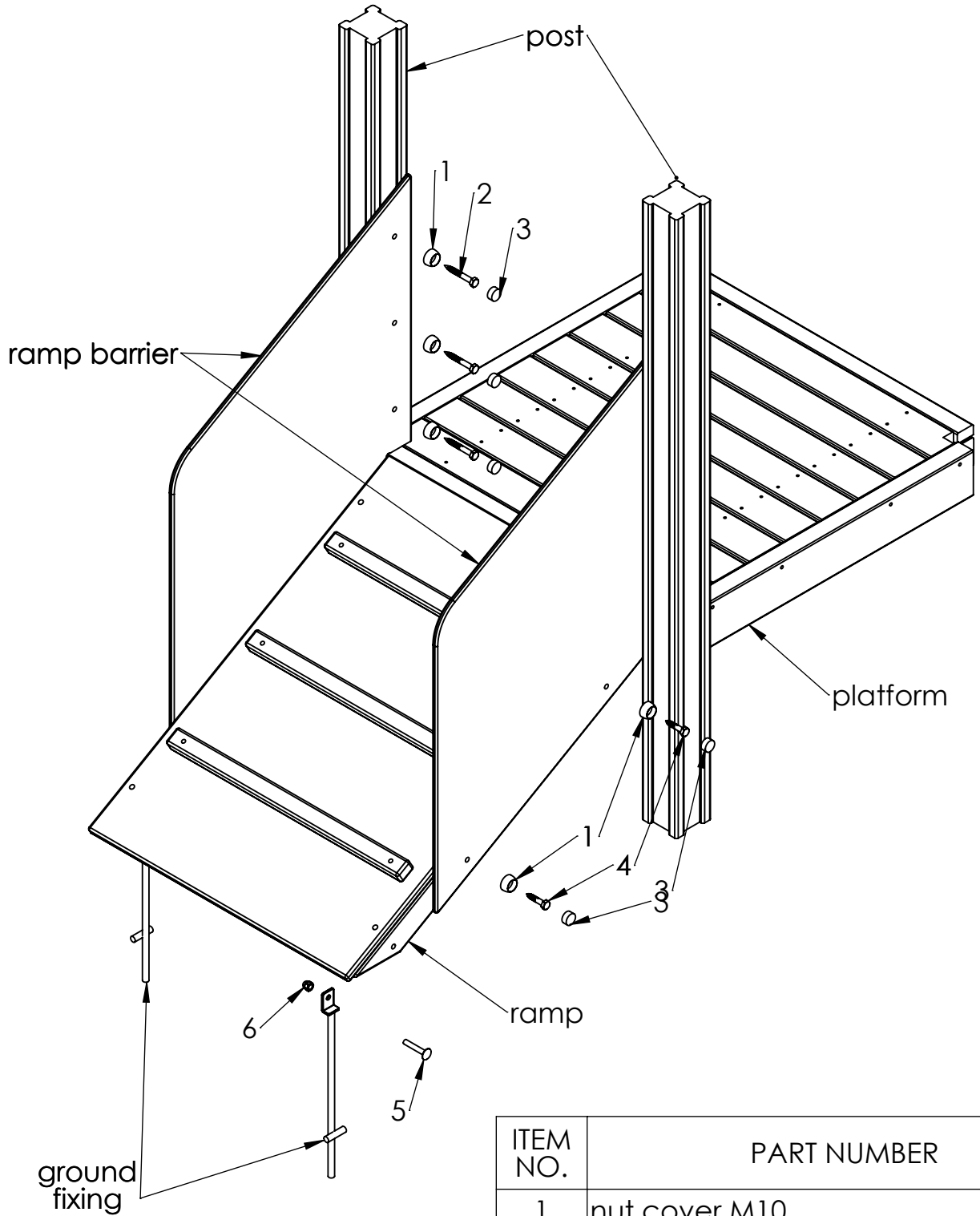
B

C

D

E

F



ITEM NO.	PART NUMBER
1	nut cover M10
2	wood screw DIN571 10x80
3	nut cover cap M10
4	wood screw DIN571 10x50
5	bolt DIN603 M10x60
6	domed cap nut DIN1587 M10

UNLESS OTHERWISE SPECIFIED:
DIMENSIONS ARE IN MILLIMETERS
WEIGHT ARE IN KILOGRAMM

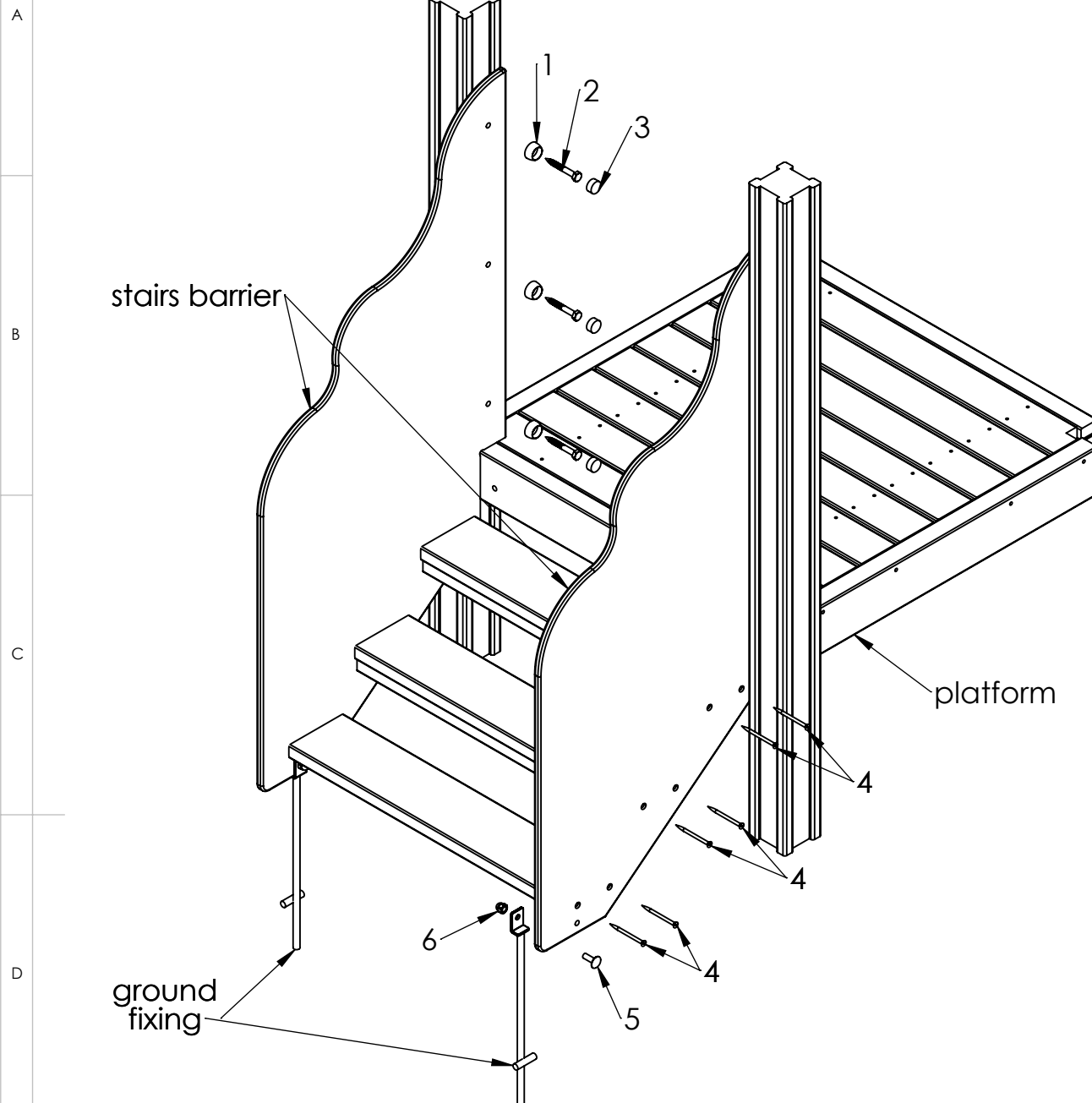
NAME	SIGNATURE	DATE	REVISION
DRAWN M.Rebase		13.04.2015	
APPV'D			

PART NUMBER / DWG NO.:	LM010
DESCRIPTION:	Play centre BRITA connecting ramp to post



Tiptiptap OÜ
Veetorni 9,
Jüri alevik, Rae vald,
75301 Harjumaa

MATERIAL:	wood, metal, plastic	A4
WEIGHT:	SCALE: 1:12	SHEET 13 OF 16



ITEM NO.	PART NUMBER
1	nut cover M10
2	wood screw DIN571 10x80
3	nut cover cap M10
4	woodscrew 6 x 90
5	bolt DIN603 M10x30
6	domed cap nut DIN1587 M10

UNLESS OTHERWISE SPECIFIED:
DIMENSIONS ARE IN MILLIMETERS
WEIGHT ARE IN KILOGRAMM

PART NUMBER / DWG NO.:

LM010

	NAME	SIGNATURE	DATE	REVISION
DRAWN	M.Rebase		13.04.2015	
APPV'D				

DESCRIPTION:

Play centre BRITA
connecting stairs to post

MATERIAL:

wood, metal, plastic

A4

WEIGHT:

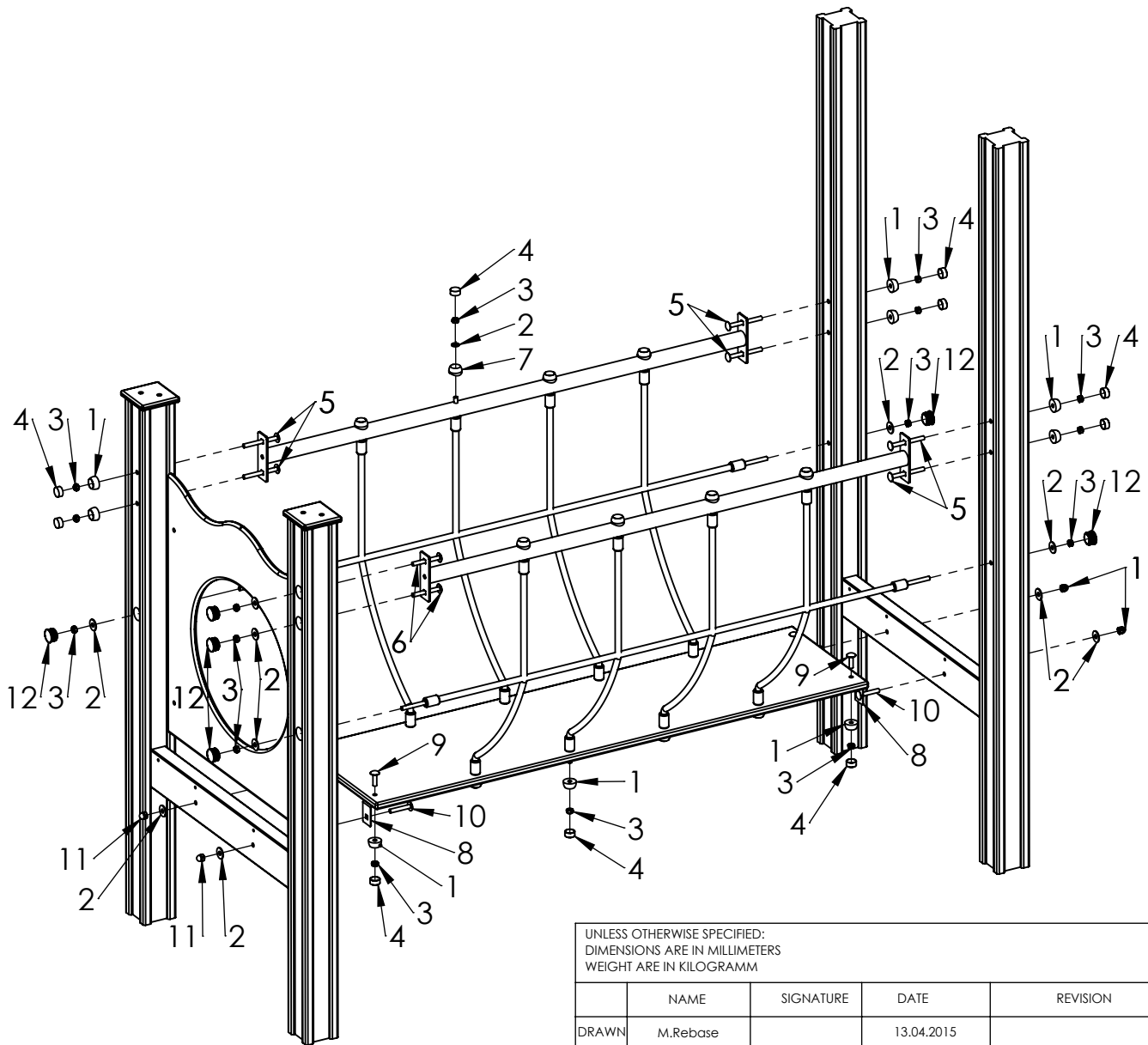
SCALE: 1:12

SHEET 14 OF 16



Tiptiptap OÜ

Tiptiptap OÜ
Veetorni 9,
Jüri alevik, Rae vald,
75301 Harjumaa



ITEM NO.	PART NUMBER
1	nut cover M10
2	washer M10
3	nut DIN985 M10
4	nut cover cap M10
5	bolt DIN603 M10x100
6	bolt DIN603 M10x80
7	nut cover for beam M10
8	corner 48x60
9	bolt DIN603 M10x35
10	bolt DIN603 M10x60
11	domed cap nut DIN1587 M10

UNLESS OTHERWISE SPECIFIED:
 DIMENSIONS ARE IN MILLIMETERS
 WEIGHT ARE IN KILOGRAMM

	NAME	SIGNATURE	DATE	REVISION
DRAWN	M.Rebase		13.04.2015	
APPV'D				

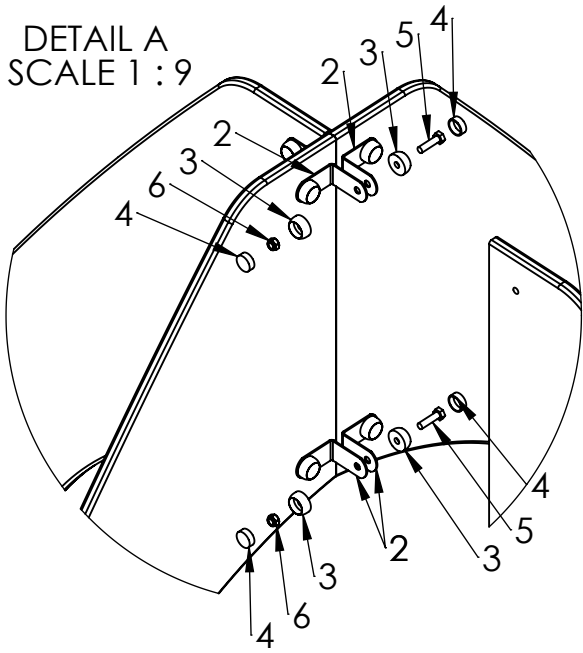


Tiptiptap OÜ
 Tiptiptap OÜ
 Veetorni 9,
 Jüri alevik, Rae vald,
 75301 Harjumaa

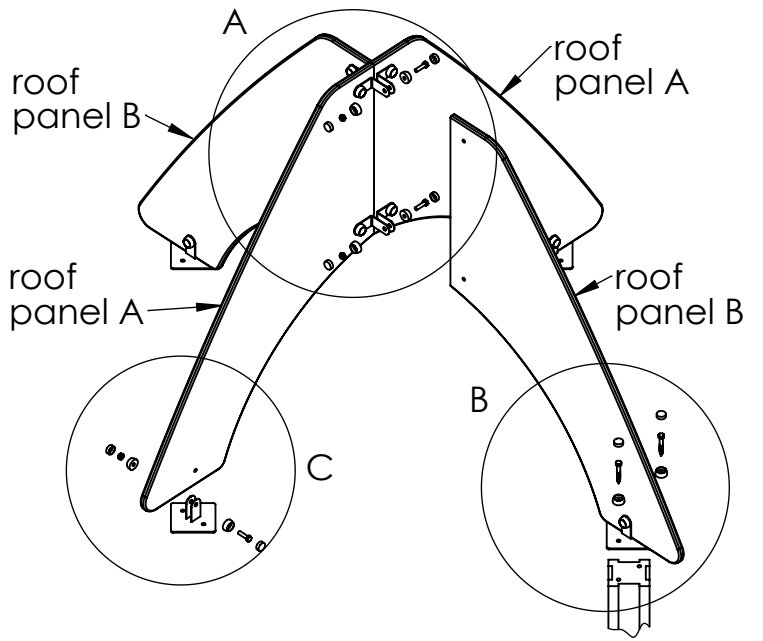
PART NUMBER / DWG NO.: LM010	
DESCRIPTION: Play centre BRITA	
MATERIAL: wood, metal, plastic	A4
WEIGHT:	SCALE: 1:17
SHEET 15 OF 16	

A

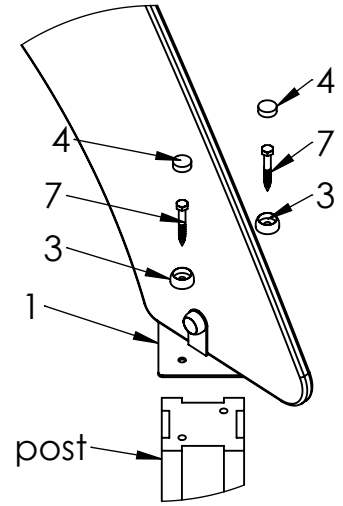
DETAIL A
SCALE 1 : 9



B

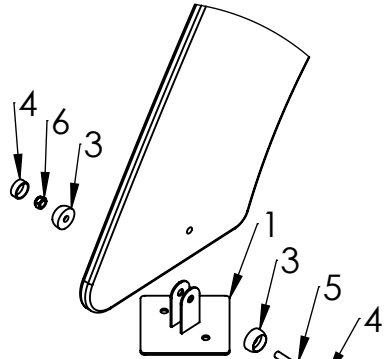


C



DETAIL B
SCALE 1 : 9

D



DETAIL C
SCALE 1 : 9

E

ITEM NO.	PART NUMBER
1	roof fixture
2	corner 60x60
3	nut cover M8
4	nut cover cap M8
5	bolt DIN933 M8x30
6	nut DIN985 M8
7	wood screw DIN571 8x60

F

UNLESS OTHERWISE SPECIFIED: DIMENSIONS ARE IN MILLIMETERS WEIGHT ARE IN KILOGRAMM				
	NAME	SIGNATURE	DATE	REVISION
DRAWN	M.Rebase		13.04.2015	
APPV'D				

PART NUMBER / DWG NO.:	LM010
DESCRIPTION:	Play centre BRITA



Tiptap OÜ

Tiptap OÜ
Veetorni 9,
Jüri alevik, Rae vald,
75301 Harjumaa

MATERIAL:	wood, metal, plastic	A4
WEIGHT:	SCALE: 1:18	SHEET 16 OF 16