

A

B

C

D

E

F



UNLESS OTHERWISE SPECIFIED:
DIMENSIONS ARE IN MILLIMETERS
WEIGHT ARE IN KILOGRAMM

PART NUMBER / DWG NO.:

LM009

	NAME	SIGNATURE	DATE	REVISION
DRAWN	M.Rebase		05.08.2014	
APPV'D				

DESCRIPTION:

Play centre ANETE



Tiptaptap OÜ

Tiptaptap OÜ
Veetorni 9,
Jüri alevik, Rae vald,
75301 Harjumaa

MATERIAL:

wood, metal, plastic

A4

WEIGHT:

SCALE: 1:40

SHEET 1 OF 16

safety area

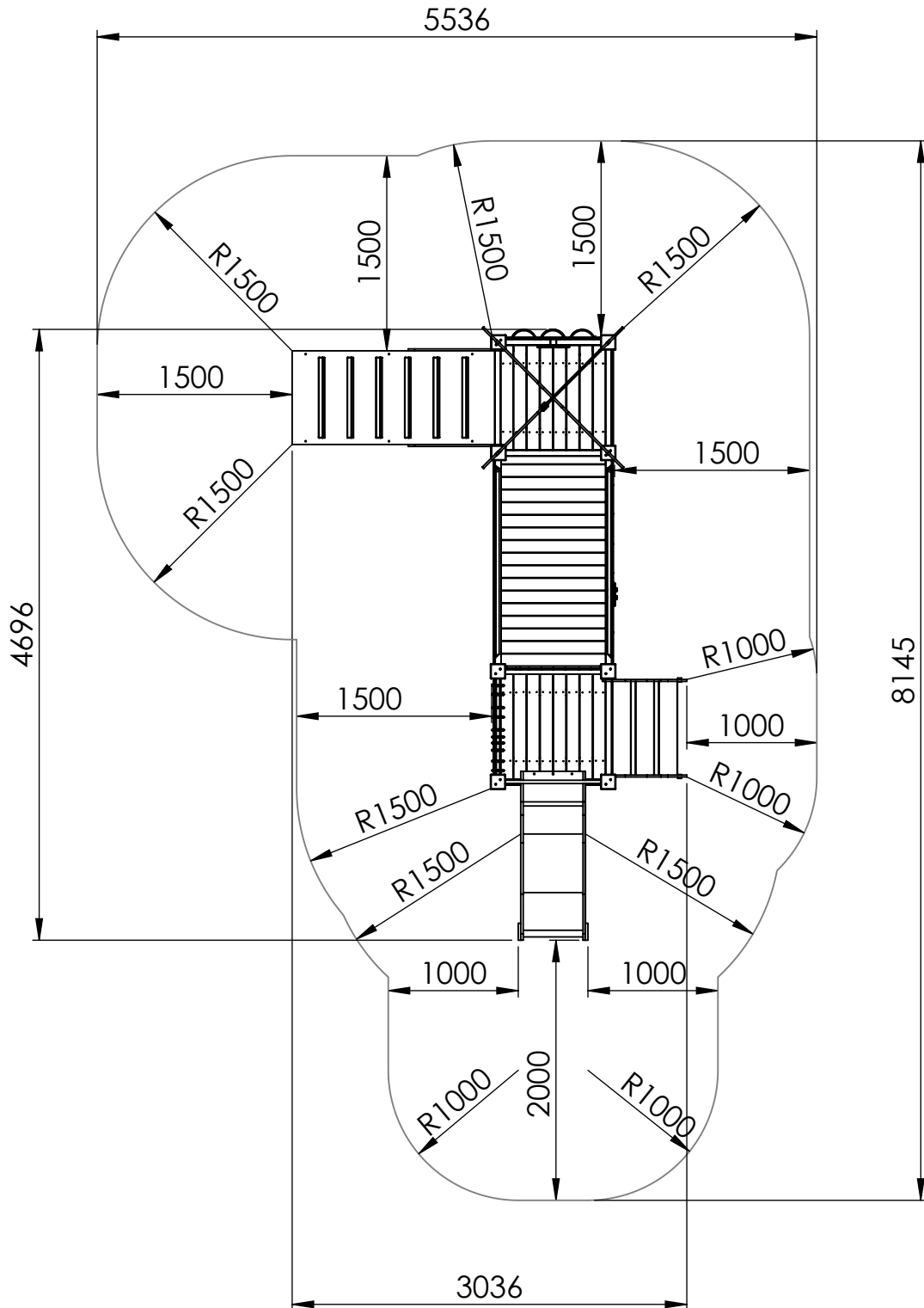
A

B

C

D

E



UNLESS OTHERWISE SPECIFIED:
DIMENSIONS ARE IN MILLIMETERS
WEIGHT ARE IN KILOGRAMM

PART NUMBER / DWG NO.:

LM009

	NAME	SIGNATURE	DATE	REVISION
DRAWN	M.Rebase		05.08.2014	
APPV'D				

DESCRIPTION:

Play centre ANETE



Tiptaptap OÜ

Tiptaptap OÜ
Veetorni 9,
Jüri alevik, Rae vald,
75301 Harjumaa

MATERIAL:

wood, metal, plastic

A4

WEIGHT:

SCALE: 1:50

SHEET 2 OF 16

foundation

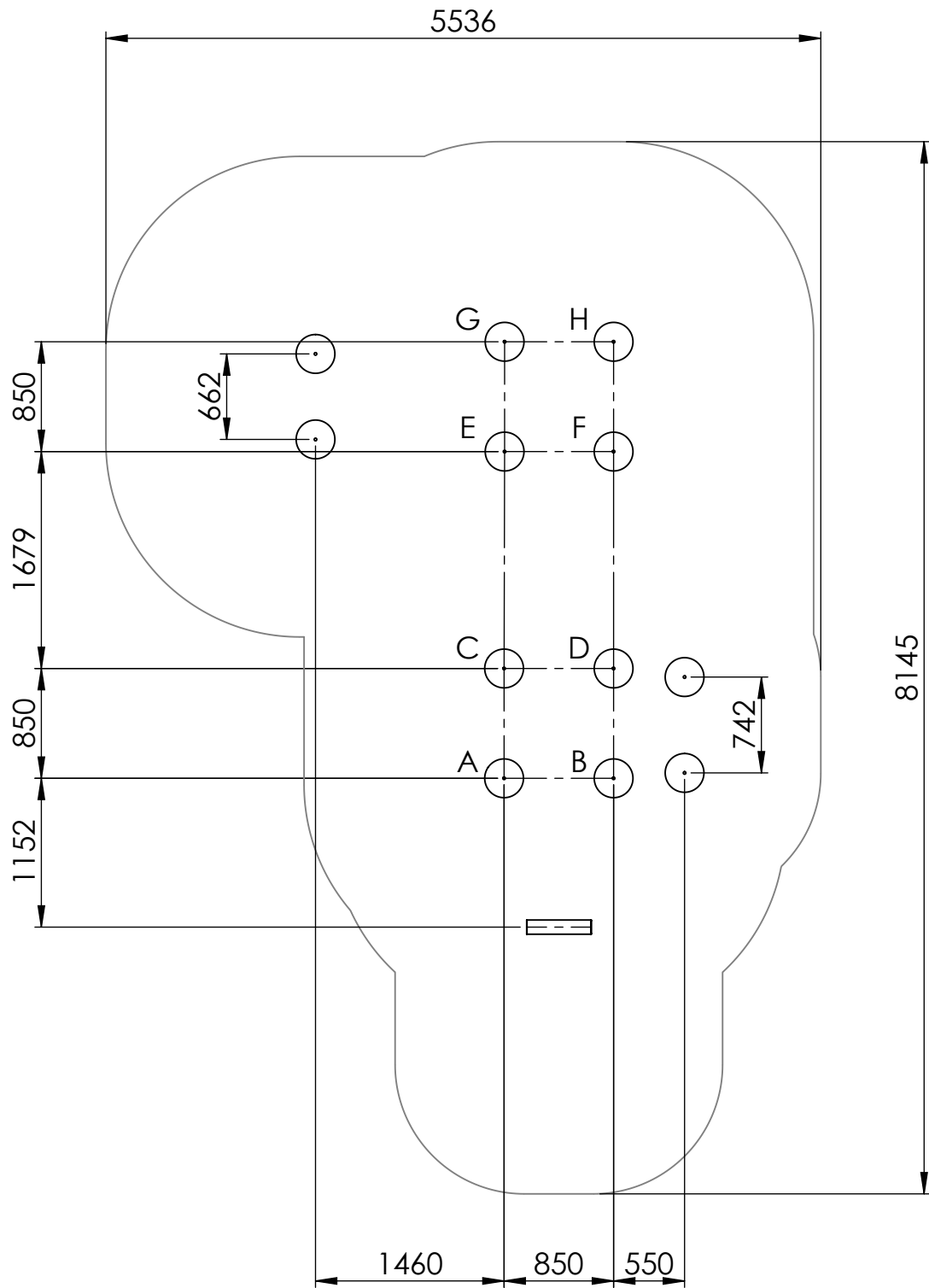
A

B

C

D

E



UNLESS OTHERWISE SPECIFIED:
DIMENSIONS ARE IN MILLIMETERS
WEIGHT ARE IN KILOGRAMM

PART NUMBER / DWG NO.:

LM009

	NAME	SIGNATURE	DATE	REVISION
DRAWN	M.Rebase		05.08.2014	
APPV'D				

DESCRIPTION:

Play centre ANETE



Tiptaptap OÜ

Tiptaptap OÜ
Veetorni 9,
Jüri alevik, Rae vald,
75301 Harjumaa

MATERIAL:

wood, metal, plastic

A4

WEIGHT:

SCALE: 1:50

SHEET 3 OF 16

A

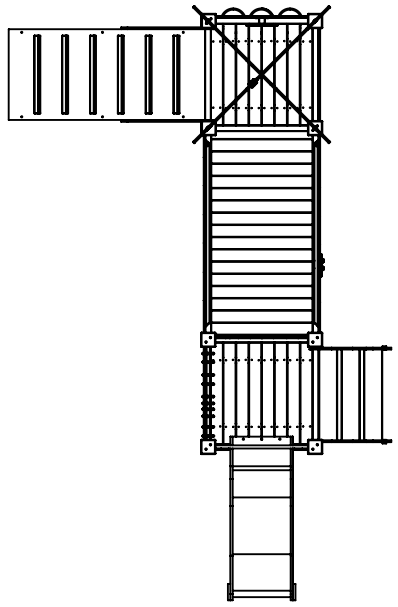
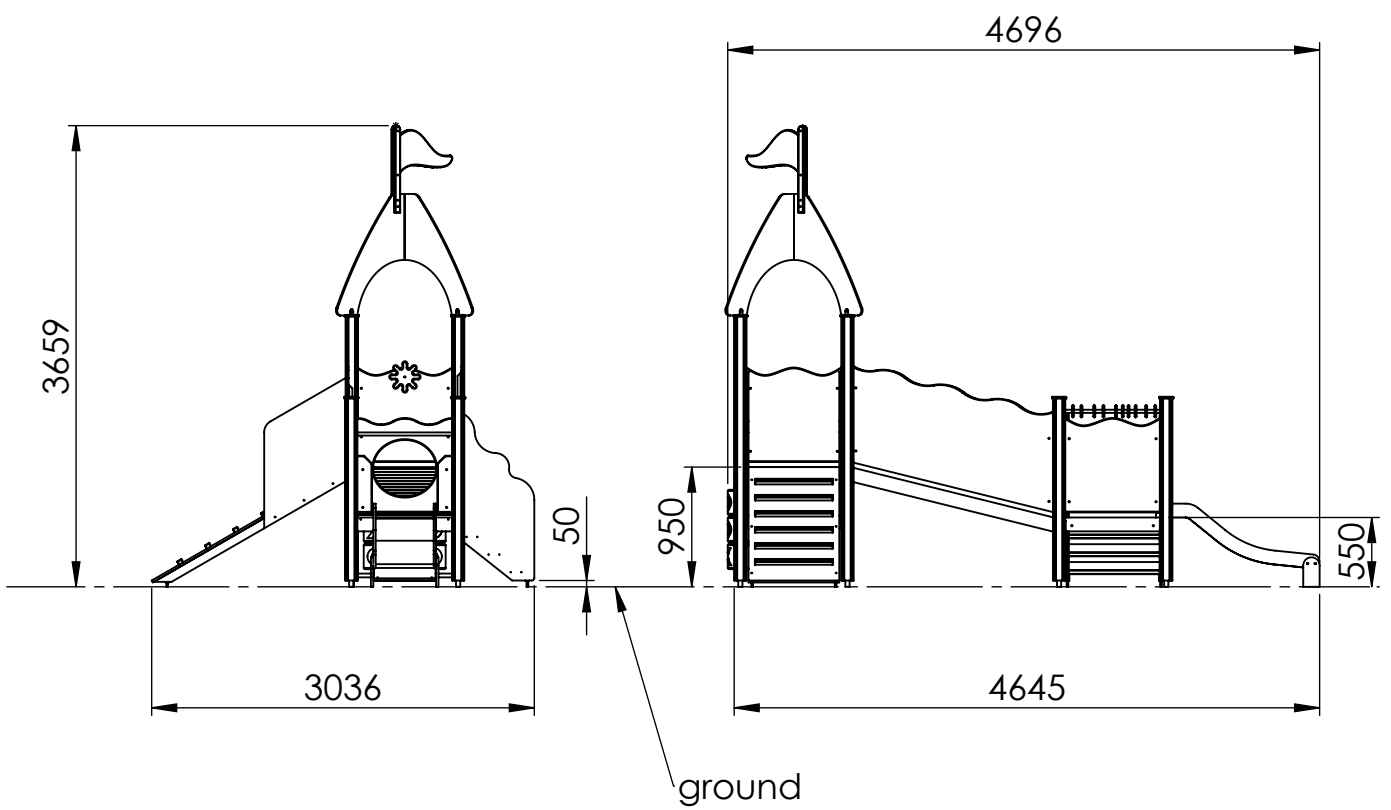
B

C

D

E

F



UNLESS OTHERWISE SPECIFIED:
DIMENSIONS ARE IN MILLIMETERS
WEIGHT ARE IN KILOGRAMM

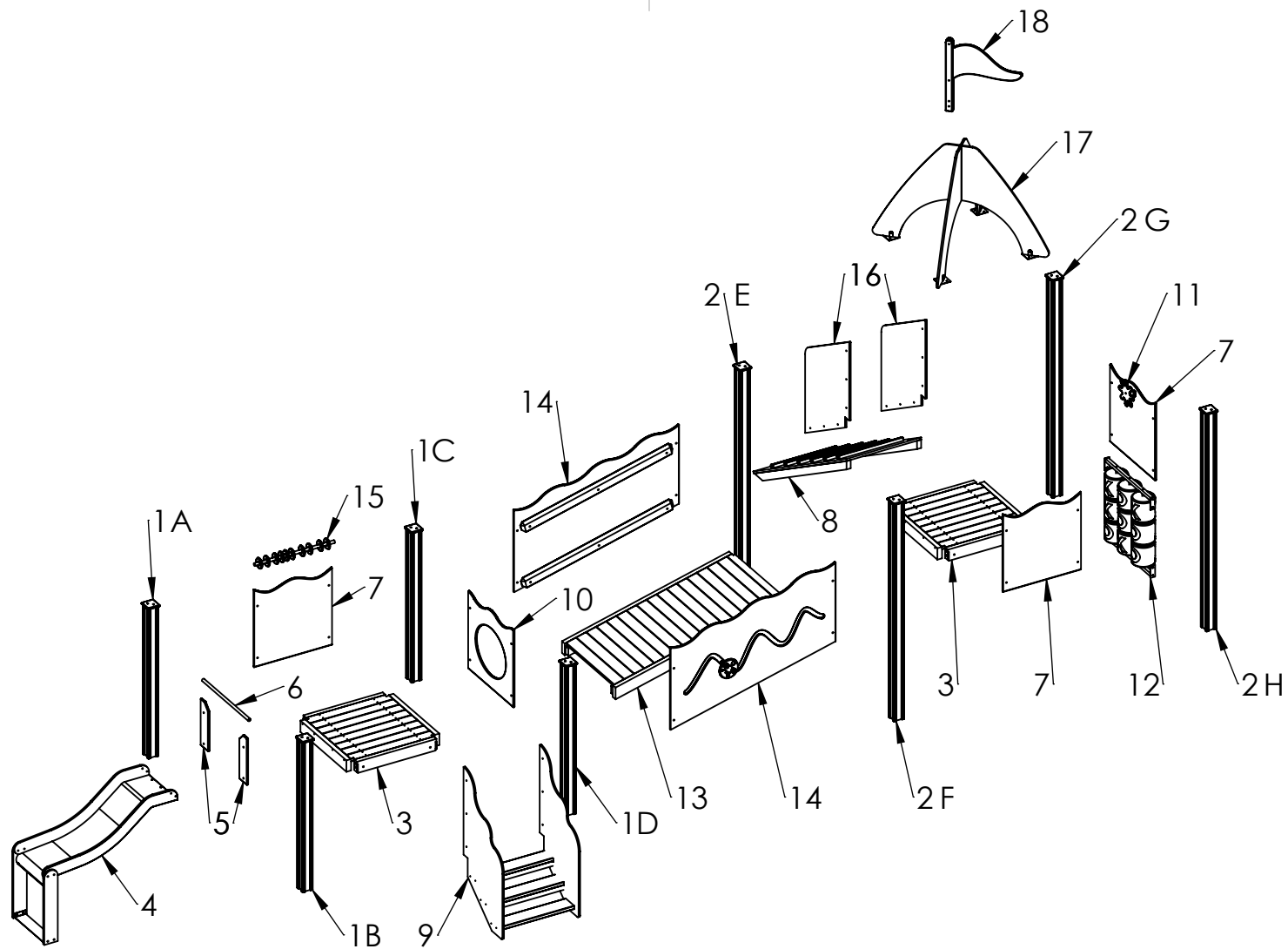
	NAME	SIGNATURE	DATE	REVISION
DRAWN	M.Rebase		05.08.2014	
APPV'D				

PART NUMBER / DWG NO.:	LM009
DESCRIPTION:	Play centre ANETE



Tiptaptap OÜ
Veetorni 9,
Jüri alevik, Rae vald,
75301 Harjumaa

MATERIAL:	wood, metal, plastic	A4
WEIGHT:	SCALE: 1:60	SHEET 4 OF 16



UNLESS OTHERWISE SPECIFIED:
 DIMENSIONS ARE IN MILLIMETERS
 WEIGHT ARE IN KILOGRAMM

PART NUMBER / DWG NO.:
LM009

	NAME	SIGNATURE	DATE	REVISION
DRAWN	M.Rebase		05.08.2014	
APPV'D				

DESCRIPTION:
Play centre ANETE




Tiptap OÜ
 Tiptap OÜ
 Veetorni 9,
 Jüri alevik, Rae vald,
 75301 Harjumaa

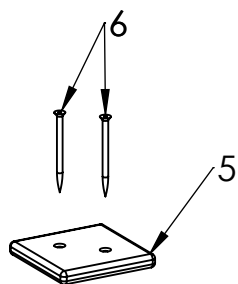
MATERIAL:	wood, metal, plastic	A4
WEIGHT:		SCALE: 1:55
		SHEET 5 OF 16

ITEM NO.	PART NUMBER	DESCRIPTION	QTY.
A 1	post 98x98x1450	laminated wood	4
2	post 98x98x2100	laminated wood	4
3	Platform	laminated wood	2
4	slide h_550	PE plastic, stainless steel	1
5	slide panel 125x450	plywood	2
6	beam 25x770	painted steel	1
7	panel 750x750	plywood	3
8	climbing ramp	plywood	1
B 9	stairs	plywood	1
10	panel 750x750	plywood	1
11	captain wheel	PE plastic	1
12	OXO spinner	PE plastic	1
13	bridge L-1594	laminated wood	1
14	bridge side panel 750x1594	plywood	2
15	counting rings	PE plastic	1
C 16	ramp side panel	plywood	2
17	roof	PE plastic	1
18	flag	PE plastic	1

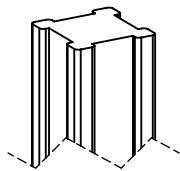


UNLESS OTHERWISE SPECIFIED: DIMENSIONS ARE IN MILLIMETERS WEIGHT ARE IN KILOGRAMM				PART NUMBER / DWG NO.: LM009	
	NAME	SIGNATURE	DATE	REVISION	DESCRIPTION: Play centre ANETE
DRAWN	M.Rebase		05.08.2014		
APPV'D					
 Tiptiptap OÜ Tiptiptap OÜ Veetorni 9, Jüri alevik, Rae vald, 75301 Harjumaa				MATERIAL: wood, metal, plastic	
				WEIGHT:	A4
				SCALE: 1:55	SHEET 6 OF 16

A

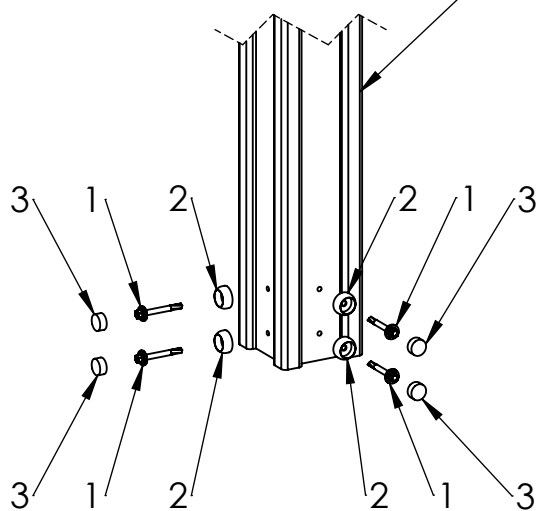


B

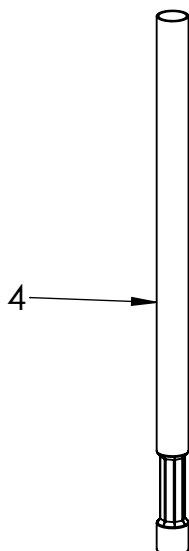


post

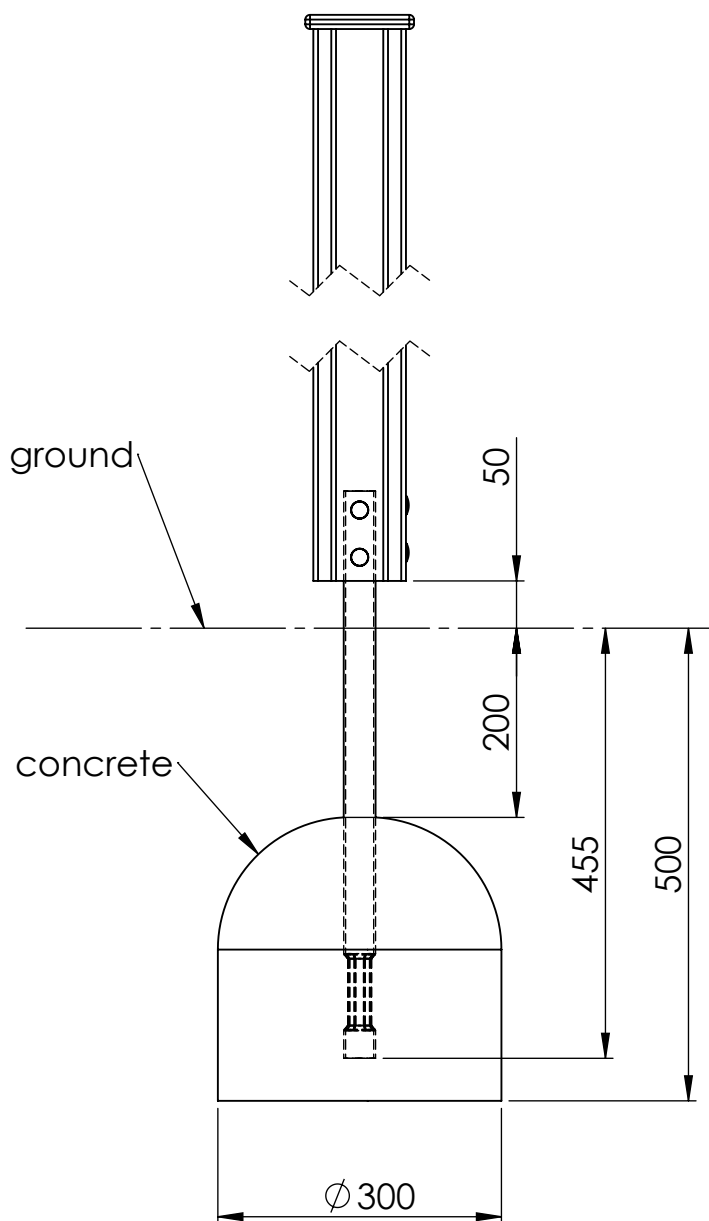
C



D



E



ITEM NO.	PART NUMBER
1	screw DIN7504K 5,5x50
2	nut cover M6
3	nut cover cap M6
4	metal ground fixing L_600
5	plastic cap 115x115
6	woodscrew 6 x 90

UNLESS OTHERWISE SPECIFIED:
DIMENSIONS ARE IN MILLIMETERS
WEIGHT ARE IN KILOGRAMM

PART NUMBER / DWG NO.:

LM009

	NAME	SIGNATURE	DATE	REVISION
DRAWN	M.Rebase		05.08.2014	
APPV'D				

DESCRIPTION:

Play centre ANETE
connecting metal ground fixing to post

F



Tiptap OÜ

Tiptap OÜ
Veetorni 9,
Jüri alevik, Rae vald,
75301 Harjumaa

MATERIAL:

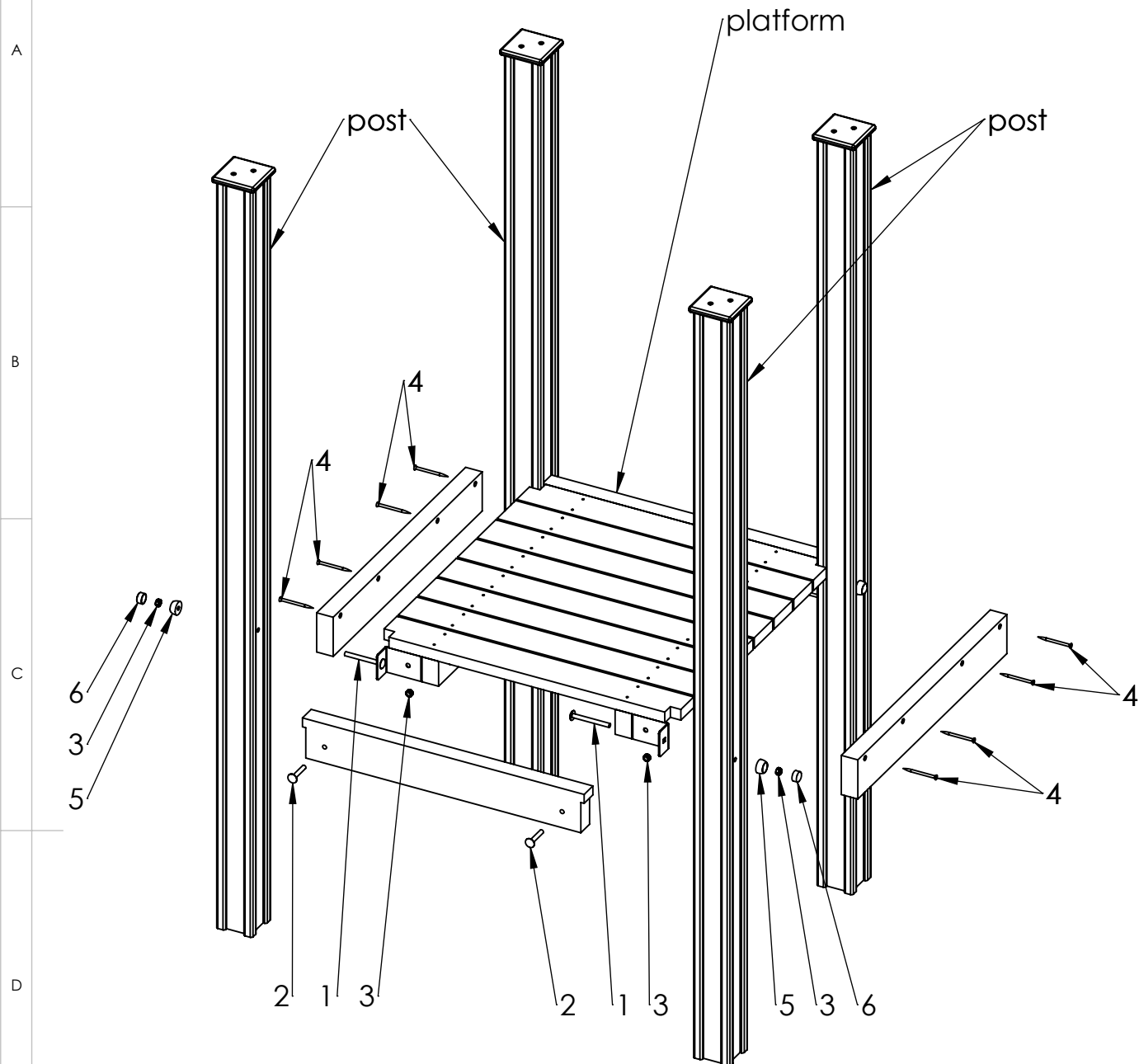
wood, metal, plastic

A4

WEIGHT:

SCALE: 1:8

SHEET 7 OF 16



ITEM NO.	PART NUMBER
1	bolt DIN603 M10x100
2	bolt DIN603 M10x60
3	nut DIN985 M10
4	woodscrew 6 x 90
5	nut cover M10
6	nut cover cap M10

UNLESS OTHERWISE SPECIFIED:
DIMENSIONS ARE IN MILLIMETERS
WEIGHT ARE IN KILOGRAMM

PART NUMBER / DWG NO.:

LM009

	NAME	SIGNATURE	DATE	REVISION
DRAWN	M.Rebase		05.08.2014	
APPV'D				

DESCRIPTION:

Play centre ANETE
connecting platform to post

MATERIAL:

wood, metal, plastic

A4

WEIGHT:

SCALE: 1:15

SHEET 8 OF 16



Tiptaptap OÜ

Tiptaptap OÜ
Veetorni 9,
Jüri alevik, Rae vald,
75301 Harjumaa

A

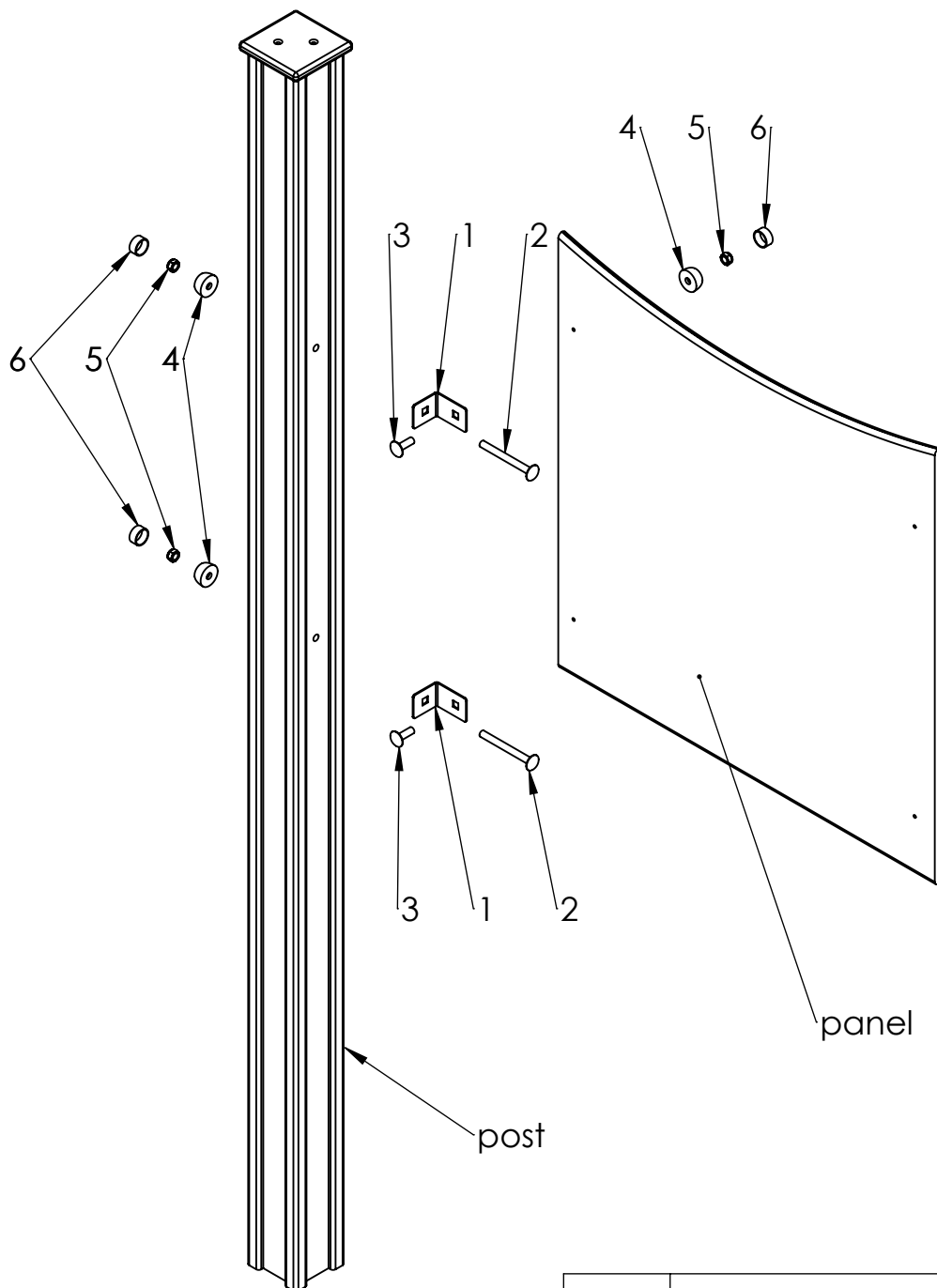
B

C

D

E

F



ITEM NO.	PART NUMBER
1	corner 48x60
2	bolt DIN603 M10x100
3	bolt DIN603 M10x30
4	nut cover M10
5	nut DIN985 M10
6	nut cover cap M10

UNLESS OTHERWISE SPECIFIED:
DIMENSIONS ARE IN MILLIMETERS
WEIGHT ARE IN KILOGRAMM

PART NUMBER / DWG NO.:

LM009

	NAME	SIGNATURE	DATE	REVISION
DRAWN	M.Rebase		05.08.2014	
APPV'D				

DESCRIPTION:

Play centre ANETE
connecting panel to post

MATERIAL:

wood, metal, plastic

A4

WEIGHT:

SCALE: 1:10

SHEET 9 OF 16



Tiptap OÜ

Tiptap OÜ
Veetorni 9,
Jüri alevik, Rae vald,
75301 Harjumaa

A

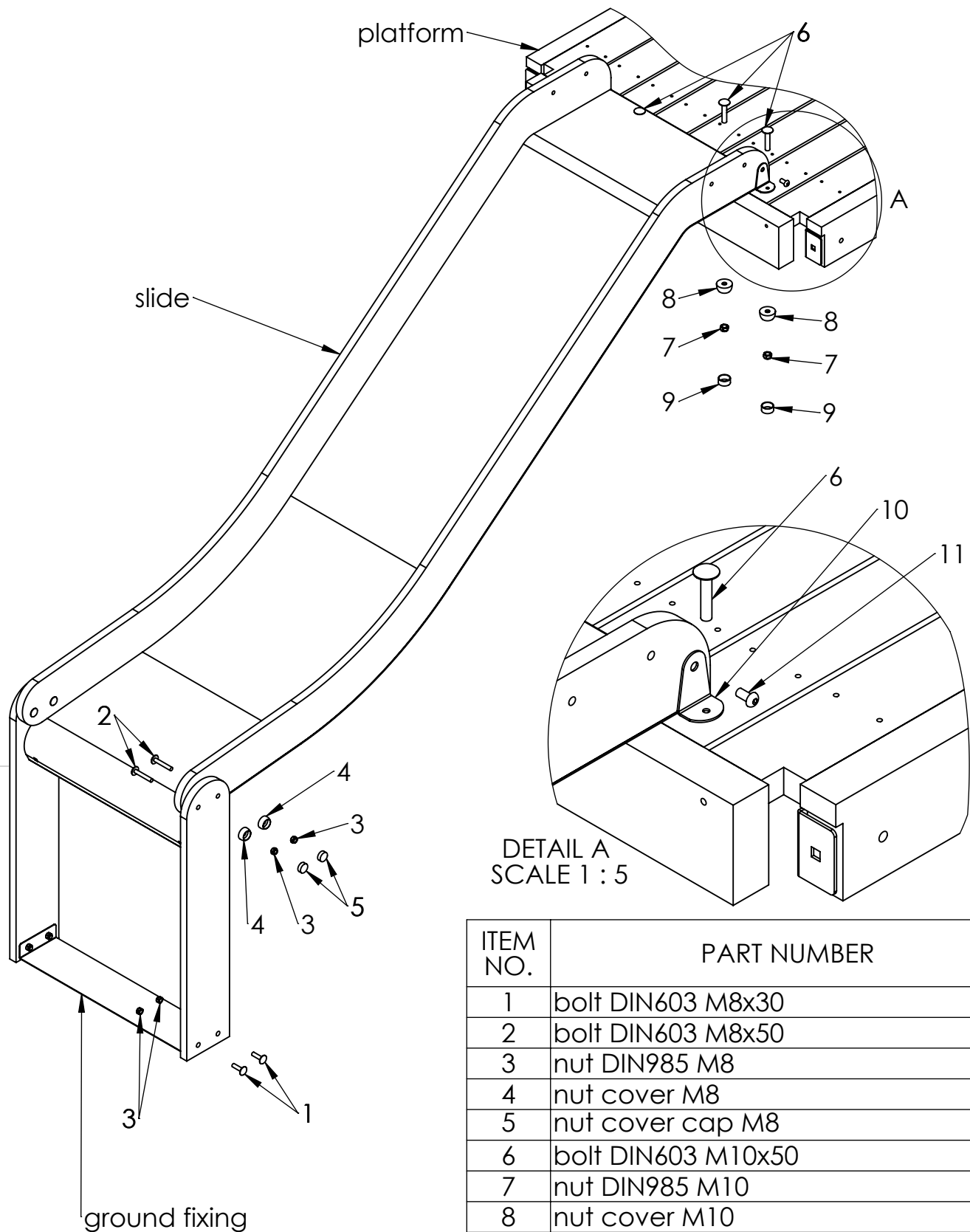
B

C

D

E

F



DETAIL A
SCALE 1 : 5

ITEM NO.	PART NUMBER
1	bolt DIN603 M8x30
2	bolt DIN603 M8x50
3	nut DIN985 M8
4	nut cover M8
5	nut cover cap M8
6	bolt DIN603 M10x50
7	nut DIN985 M10
8	nut cover M10
9	nut cover cap M10
10	corner 58x30
11	metal screw DIN 7380 M8x16

UNLESS OTHERWISE SPECIFIED:
DIMENSIONS ARE IN MILLIMETERS
WEIGHT ARE IN KILOGRAMM

	NAME	SIGNATURE	DATE	REVISION
DRAWN	M.Rebase		05.08.2014	
APPV'D				

PART NUMBER / DWG NO.:

LM009

DESCRIPTION:

Play centre ANETE
connecting slide to platform

MATERIAL:

wood, metal, plastic

A4

WEIGHT:

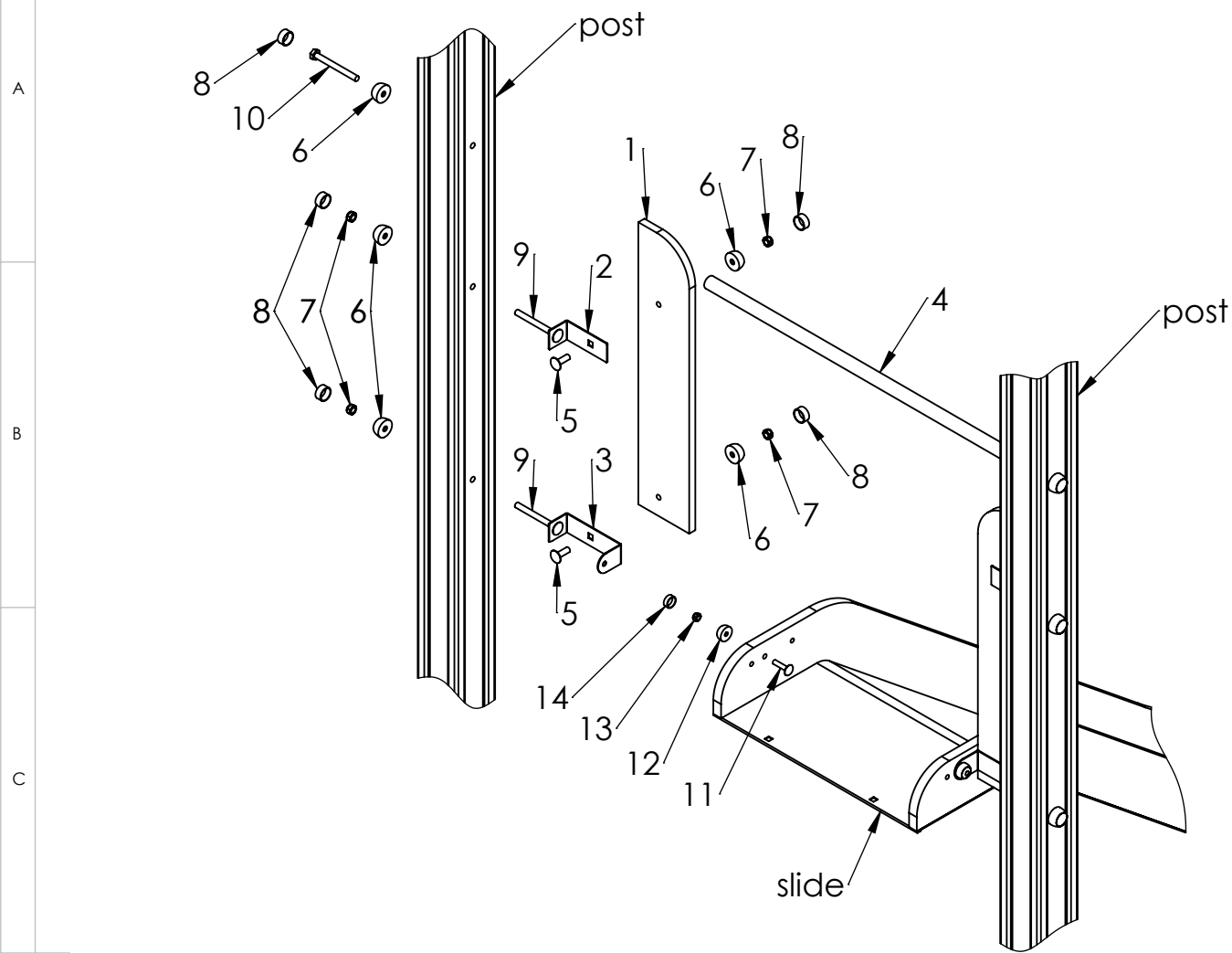
SCALE: 1:12

SHEET 10 OF 16



Tiptap OÜ

Tiptap OÜ
Veetorni 9,
Jüri alevik, Rae vald,
75301 Harjumaa



ITEM NO.	PART NUMBER
1	slide side panel 125x600
2	slide side panel fixing 40x100
3	slide side panel fixing 40x135
4	guardrail ϕ 25x770
5	bolt DIN603 M10x30
6	nut cover M10
7	nut DIN985 M10
8	nut cover cap M10
9	bolt DIN603 M10x100
10	bolt DIN931 M10x100
11	bolt DIN603 M8x35
12	nut cover M8
13	nut DIN985 M8
14	nut cover cap M8

UNLESS OTHERWISE SPECIFIED:
DIMENSIONS ARE IN MILLIMETERS
WEIGHT ARE IN KILOGRAMM

PART NUMBER / DWG NO.:

LM009

	NAME	SIGNATURE	DATE	REVISION
DRAWN	M.Rebase		05.08.2014	
APPV'D				

DESCRIPTION:

Play centre ANETE
connecting slide side panel to post

MATERIAL:

wood, metal, plastic

A4

WEIGHT:

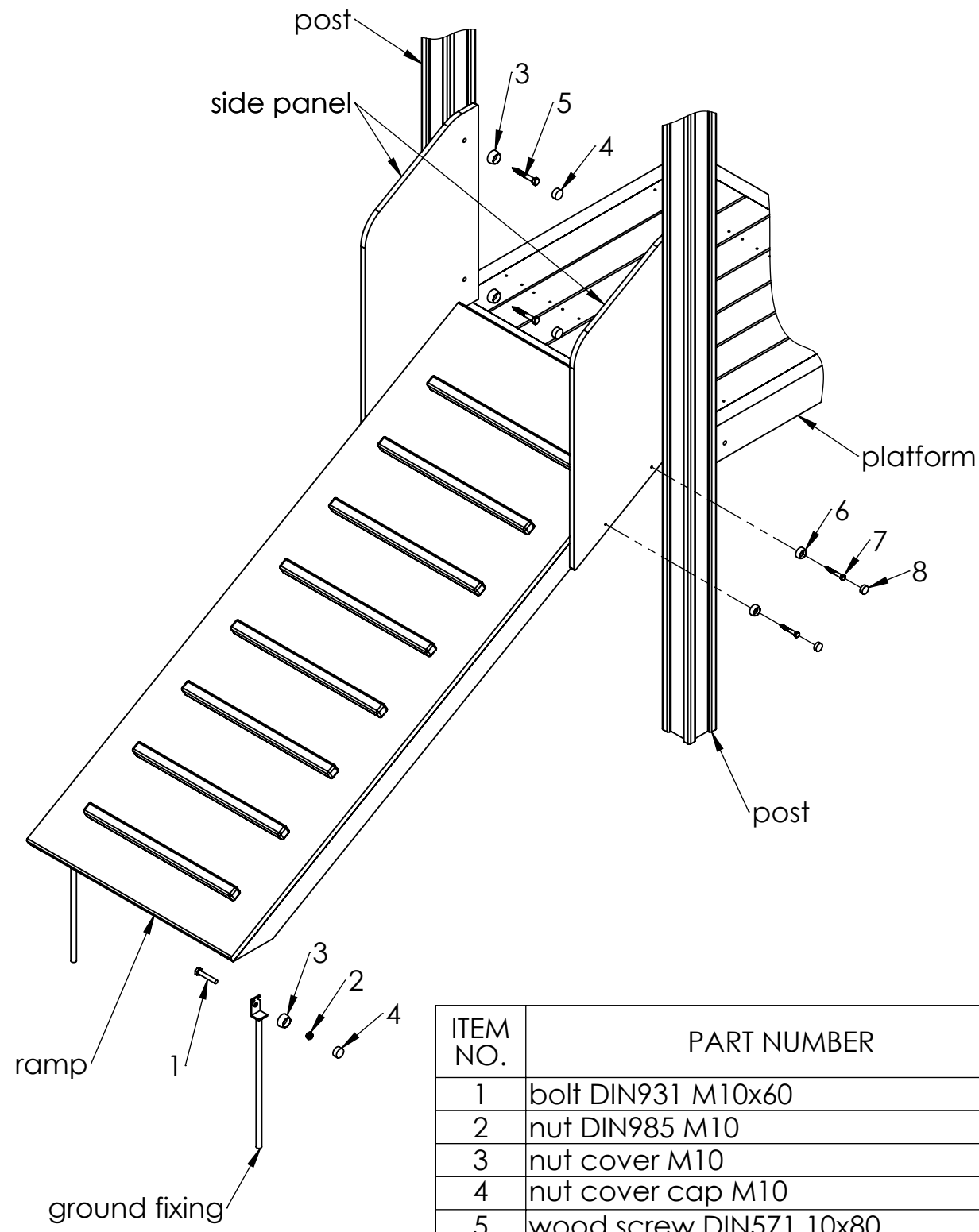
SCALE: 1:12

SHEET 11 OF 16



Tiptaptap OÜ

Tiptaptap OÜ
Veetorni 9,
Jüri alevik, Rae vald,
75301 Harjumaa



ITEM NO.	PART NUMBER
1	bolt DIN931 M10x60
2	nut DIN985 M10
3	nut cover M10
4	nut cover cap M10
5	wood screw DIN571 10x80
6	nut cover M8
7	wood screw DIN571 8x60
8	nut cover cap M8

UNLESS OTHERWISE SPECIFIED:
DIMENSIONS ARE IN MILLIMETERS
WEIGHT ARE IN KILOGRAMM

	NAME	SIGNATURE	DATE	REVISION
DRAWN	M.Rebase		05.08.2014	
APPV'D				

PART NUMBER / DWG NO.:
LM009

DESCRIPTION:
**Play centre ANETE
connecting ramp to platform**



Tiptap OÜ

Tiptap OÜ
Veetorni 9,
Jüri alevik, Rae vald,
75301 Harjumaa

MATERIAL: wood, metal, plastic

A4

WEIGHT: SCALE: 1:15 SHEET 12 OF 16

A

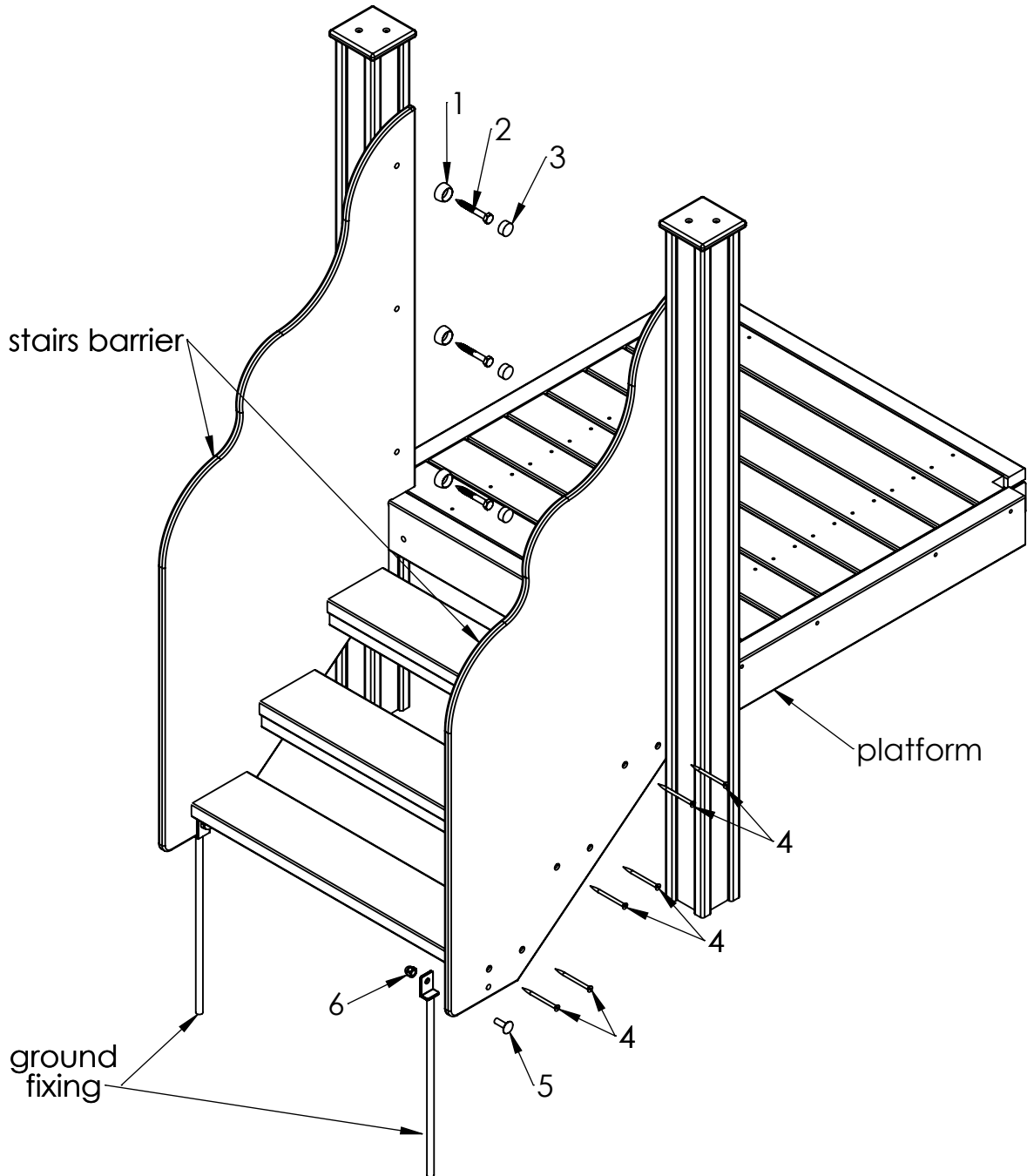
B

C

D

E

F



ITEM NO.	PART NUMBER
1	nut cover M10
2	wood screw DIN571 10x80
3	nut cover cap M10
4	woodscrew 6 x 90
5	bolt DIN603 M10x30
6	domed cap nut DIN1587 M10

UNLESS OTHERWISE SPECIFIED:
DIMENSIONS ARE IN MILLIMETERS
WEIGHT ARE IN KILOGRAMM

PART NUMBER / DWG NO.:

LM009

	NAME	SIGNATURE	DATE	REVISION
DRAWN	M.Rebase		05.08.2014	
APPV'D				

DESCRIPTION:

Play centre ANETE
connecting stairs to post

MATERIAL:

wood, metal, plastic

A4

WEIGHT:

SCALE: 1:15

SHEET 13 OF 16



Tiptap OÜ

Tiptap OÜ
Veetorni 9,
Jüri alevik, Rae vald,
75301 Harjumaa

A

B

C

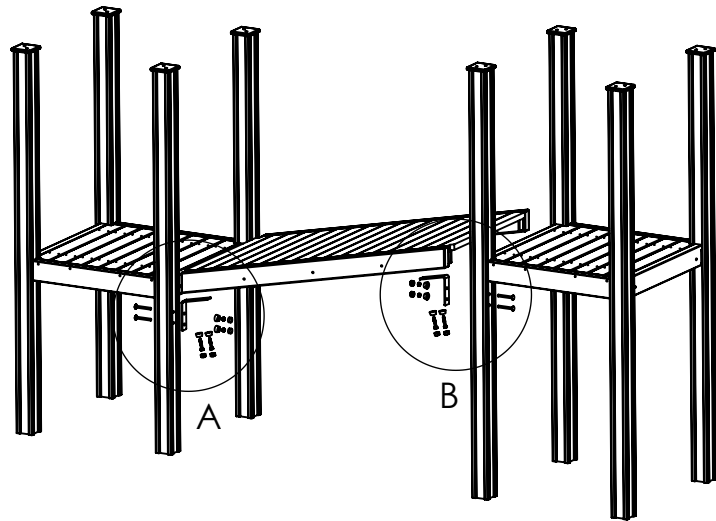
D

A

B

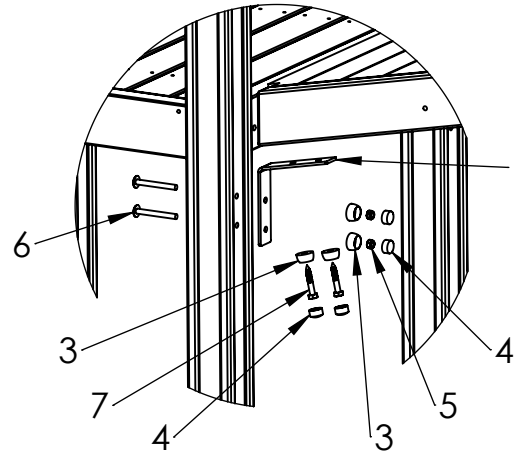
C

D

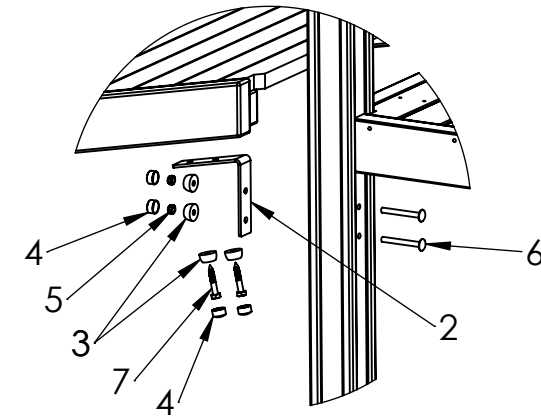


ITEM NO.	PART NUMBER
1	corner 160x160x45 102°
2	corner 160x160x45 78°
3	nut cover M10
4	nut cover cap M10
5	nut DIN985 M10
6	bolt DIN603 M10x90
7	wood screw DIN571 10x60

DETAIL A
SCALE 1 : 15



DETAIL B
SCALE 1 : 15



UNLESS OTHERWISE SPECIFIED:
DIMENSIONS ARE IN MILLIMETERS
WEIGHT ARE IN KILOGRAMM

	NAME	SIGNATURE	DATE	REVISION
DRAWN	M.Rebase		05.08.2014	
APPV'D				

Tiptaptap OÜ
Tiptaptap OÜ
Veetorni 9,
Jüri alevik, Rae vald,
75301 Harjumaa

PART NUMBER / DWG NO.:
LM009

DESCRIPTION:
**Play centre ANETE
connecting bridge to post**

MATERIAL:
wood, metal, plastic

WEIGHT: SCALE: 1:15 SHEET 14 OF 16

A

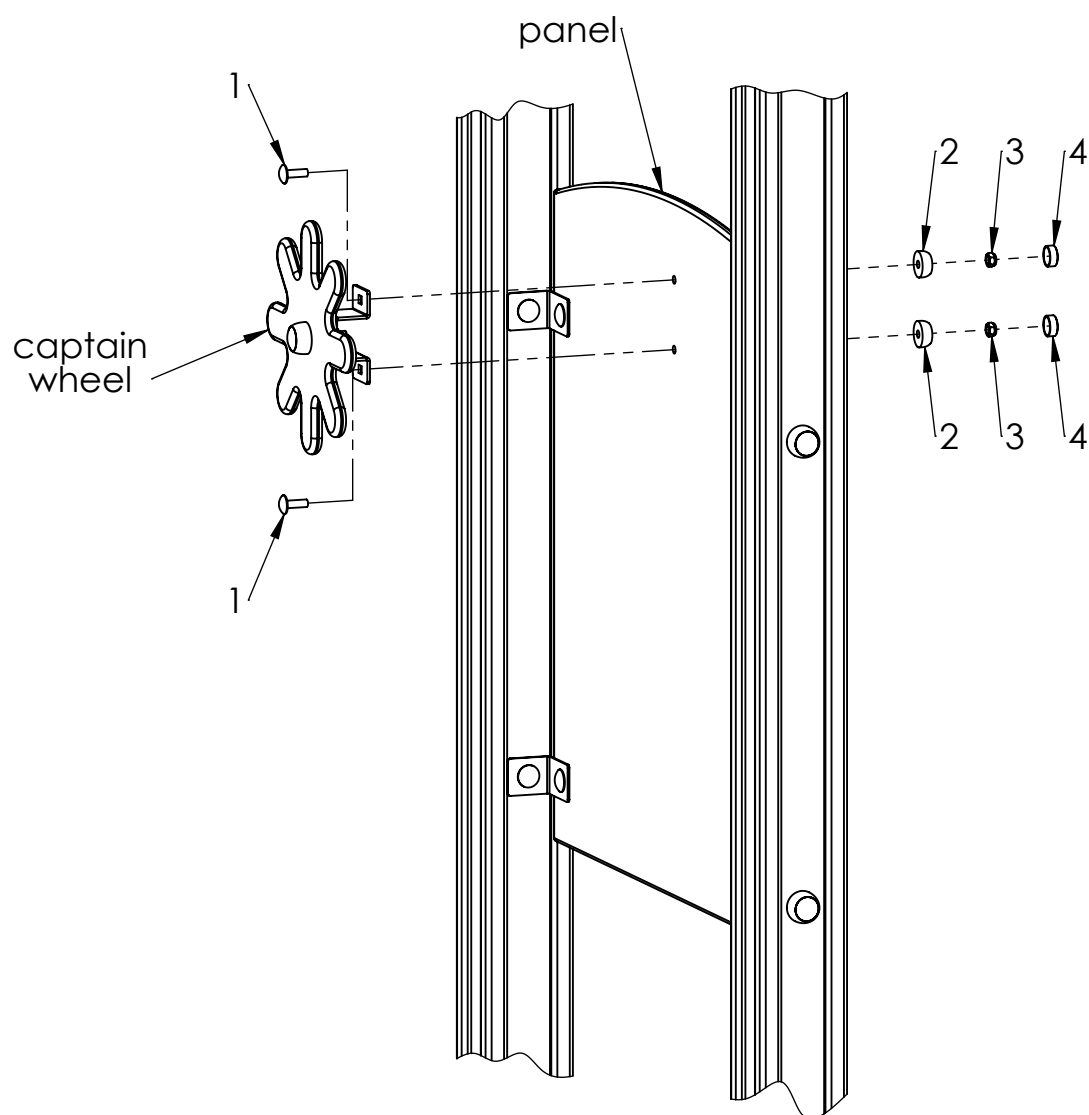
B

C

D

E

F



ITEM NO.	PART NUMBER
1	bolt DIN603 M8x25
2	nut cover M8
3	nut DIN985 M8
4	nut cover cap M8

UNLESS OTHERWISE SPECIFIED:
DIMENSIONS ARE IN MILLIMETERS
WEIGHT ARE IN KILOGRAMM

PART NUMBER / DWG NO.:

LM009

	NAME	SIGNATURE	DATE	REVISION
DRAWN	M.Rebase		05.08.2014	
APPV'D				

DESCRIPTION:

Play centre ANETE
connecting captain wheel to panel

MATERIAL:

wood, metal, plastic

A4

WEIGHT:

SCALE: 1:15

SHEET 15 OF 16

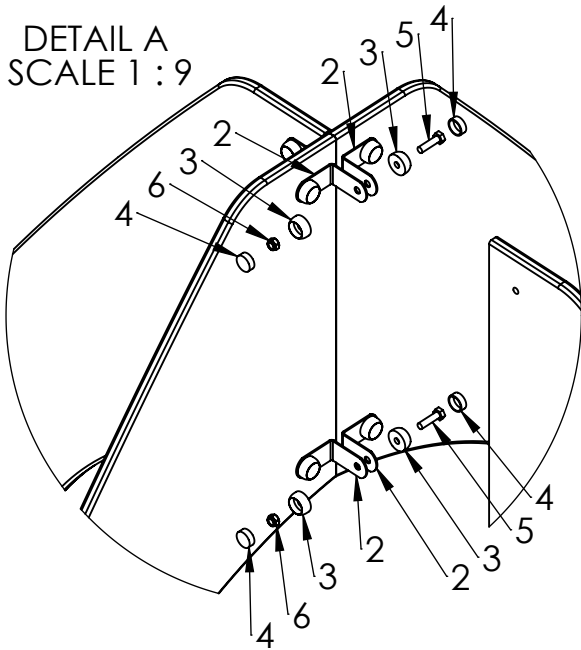


Tiptap OÜ

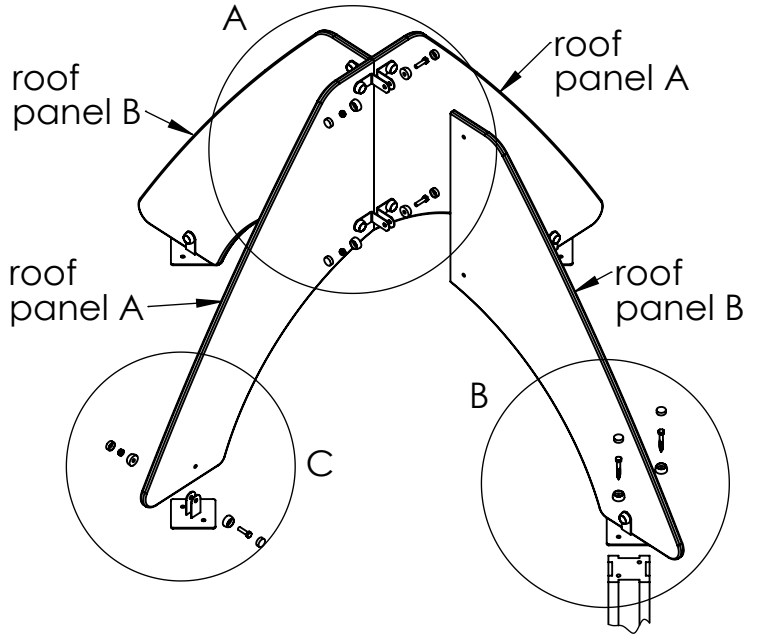
Tiptap OÜ
Veetorni 9,
Jüri alevik, Rae vald,
75301 Harjumaa

A

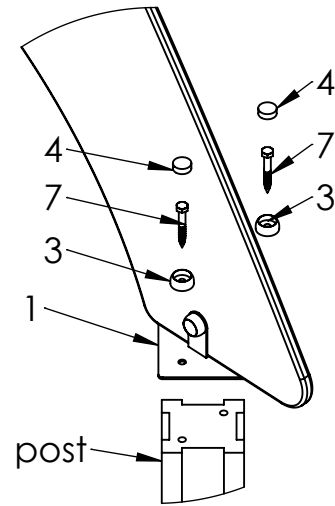
DETAIL A
SCALE 1 : 9



B

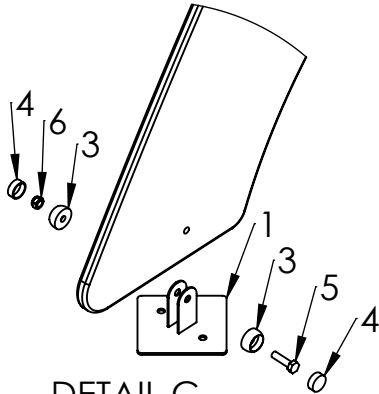


C



DETAIL B
SCALE 1 : 9

D



DETAIL C
SCALE 1 : 9

E

ITEM NO.	PART NUMBER
1	roof fixture
2	corner 60x60
3	nut cover M8
4	nut cover cap M8
5	bolt DIN933 M8x30
6	nut DIN985 M8
7	wood screw DIN571 8x60

F

UNLESS OTHERWISE SPECIFIED:
DIMENSIONS ARE IN MILLIMETERS
WEIGHT ARE IN KILOGRAMM

PART NUMBER / DWG NO.:

LM009

	NAME	SIGNATURE	DATE	REVISION
DRAWN	M.Rebase		05.08.2014	
APPV'D				

DESCRIPTION:

Play centre ANETE
connecting roof to post

MATERIAL:

wood, metal, plastic

A4

WEIGHT:

SCALE: 1:15

SHEET 16 OF 16



Tiptap OÜ

Tiptap OÜ
Veetorni 9,
Jüri alevik, Rae vald,
75301 Harjumaa