

A

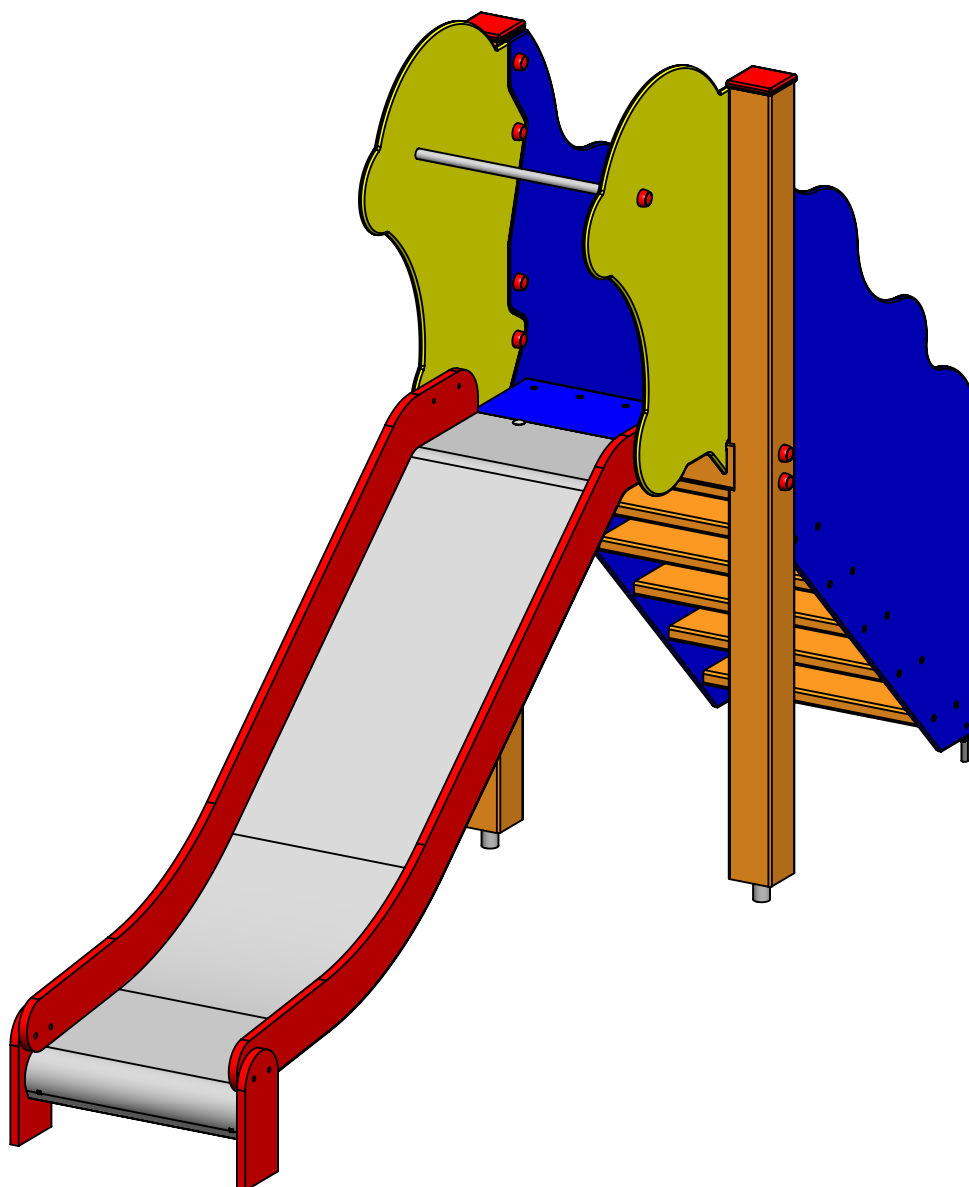
B

C

D

E

F



UNLESS OTHERWISE SPECIFIED:  
DIMENSIONS ARE IN MILLIMETERS  
WEIGHT ARE IN KILOGRAMM

PART NUMBER / DWG NO.:

LM004

	NAME	SIGNATURE	DATE	REVISION
DRAWN	M.Rebase		18.06.2014	
APPV'D				

DESCRIPTION:

Slide MIA



**Tiptaptap** OÜ

Tiptaptap OÜ  
Veetorni 9,  
Jüri alevik, Rae vald,  
75301 Harjumaa

MATERIAL:

wood, metal, plastic

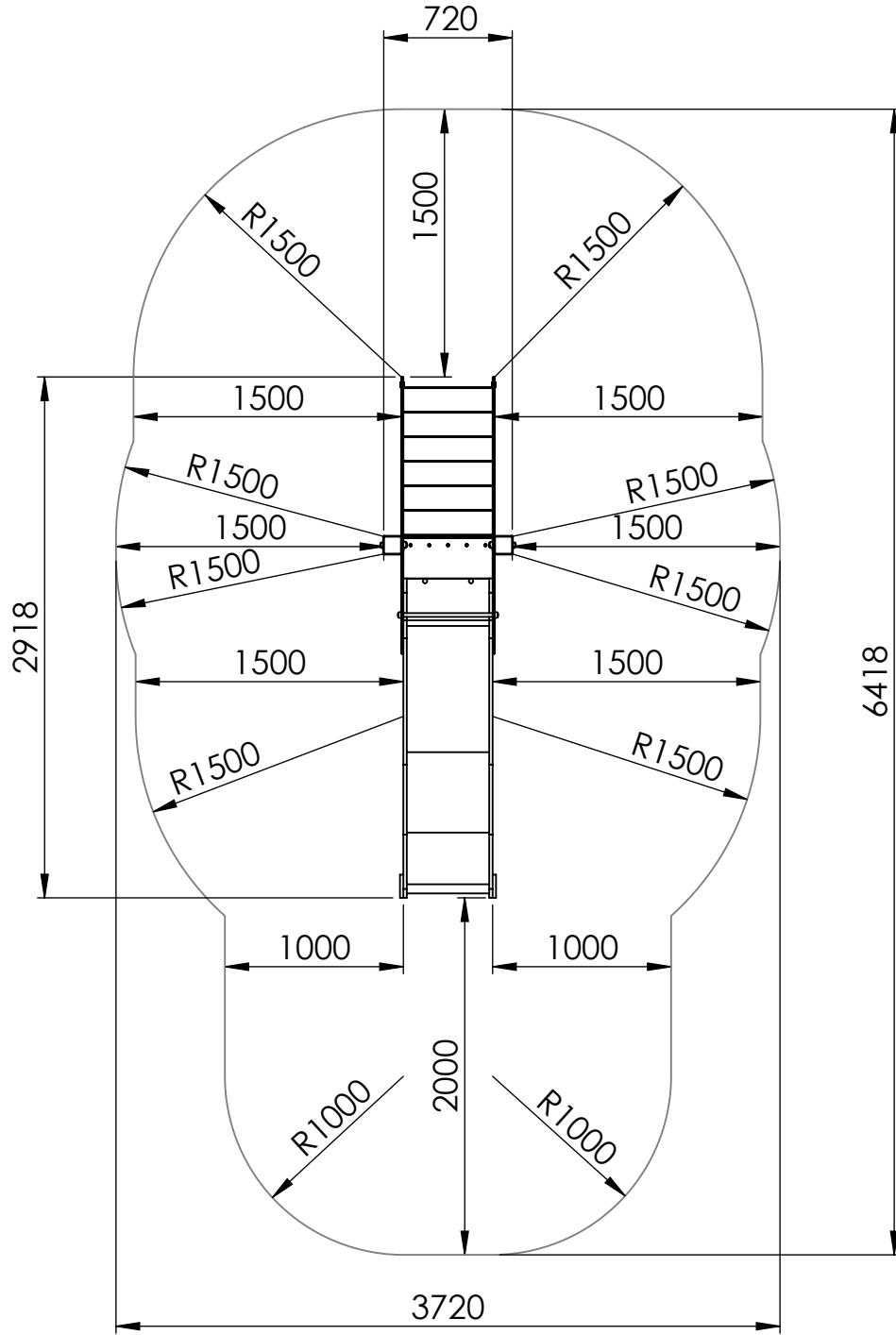
A4

WEIGHT:

SCALE: 1:15

SHEET 1 OF 11

# safety area



UNLESS OTHERWISE SPECIFIED:  
DIMENSIONS ARE IN MILLIMETERS  
WEIGHT ARE IN KILOGRAMM

PART NUMBER / DWG NO.:

LM004

	NAME	SIGNATURE	DATE	REVISION
DRAWN	M.Rebase		18.06.2014	
APPV'D				

DESCRIPTION:

Slide MIA



**Tiptap** OÜ

Tiptap OÜ  
Veetorni 9,  
Jüri alevik, Rae vald,  
75301 Harjumaa

MATERIAL:

wood, metal, plastic

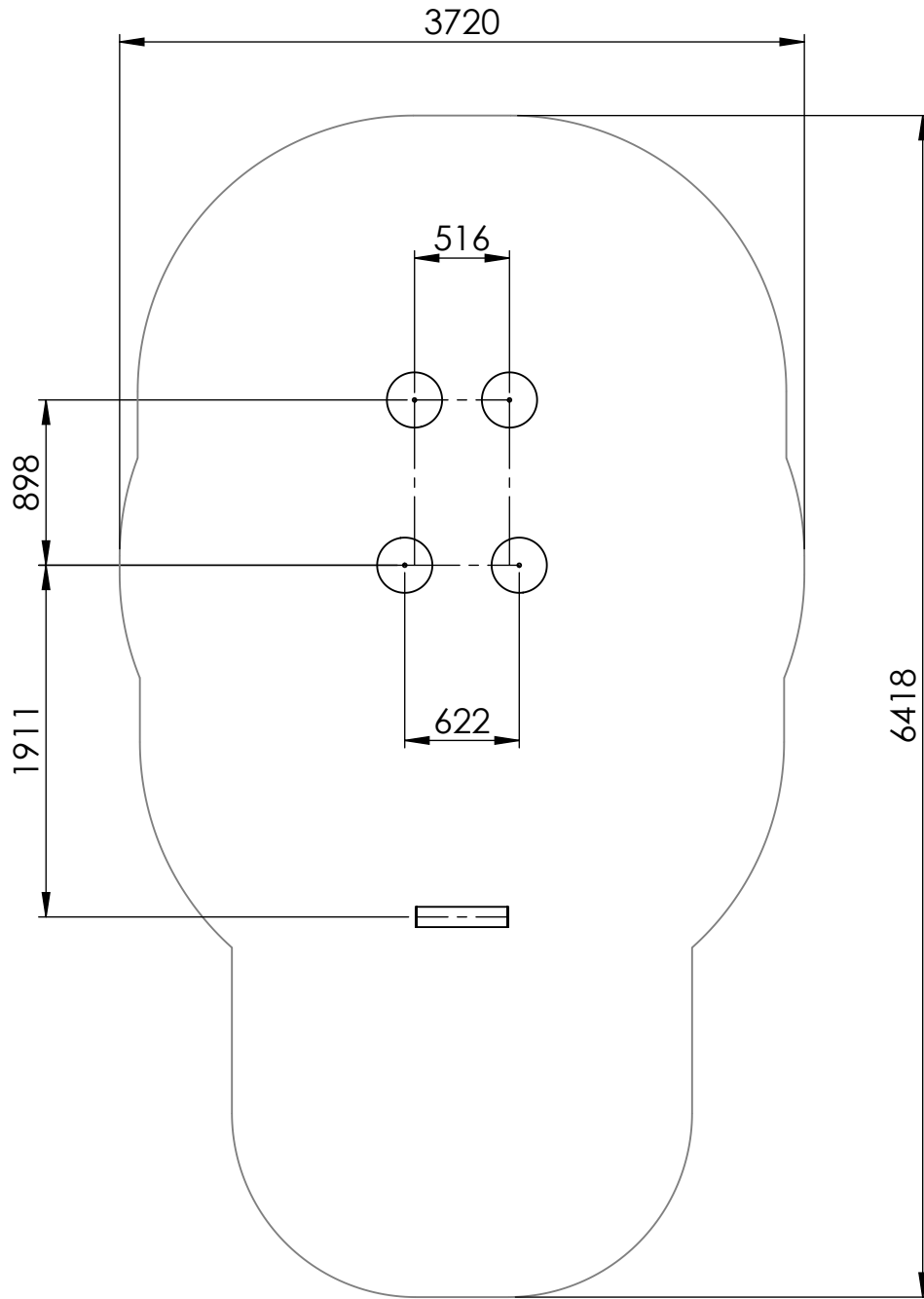
A4

WEIGHT:

SCALE: 1:40

SHEET 2 OF 11

# foundation



depth of foundaton 500mm

UNLESS OTHERWISE SPECIFIED:  
DIMENSIONS ARE IN MILLIMETERS  
WEIGHT ARE IN KILOGRAMM

PART NUMBER / DWG NO.:

LM004

	NAME	SIGNATURE	DATE	REVISION
DRAWN	M.Rebase		18.06.2014	
APPV'D				

DESCRIPTION:

Slide MIA



**Tiptaptap** OÜ

Tiptaptap OÜ  
Veetorni 9,  
Jüri alevik, Rae vald,  
75301 Harjumaa

MATERIAL:

wood, metal, plastic

A4

WEIGHT:

SCALE: 1:40

SHEET 3 OF 11

A

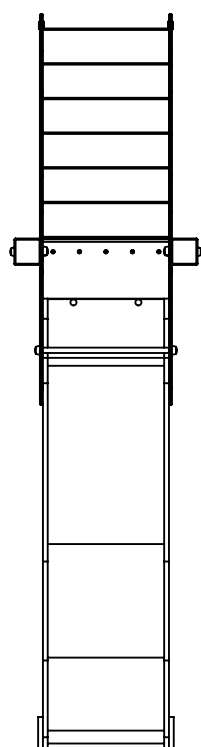
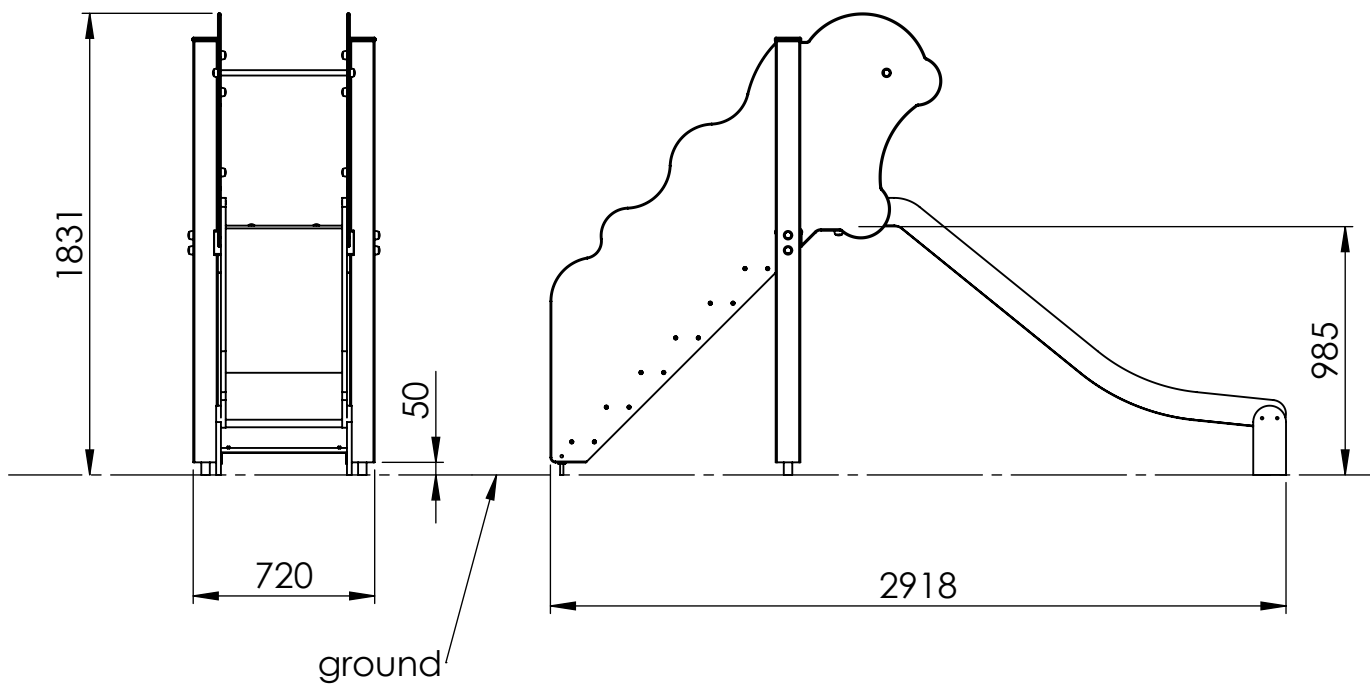
B

C

D

E

F



UNLESS OTHERWISE SPECIFIED:  
DIMENSIONS ARE IN MILLIMETERS  
WEIGHT ARE IN KILOGRAMM

PART NUMBER / DWG NO.:

LM004

	NAME	SIGNATURE	DATE	REVISION
DRAWN	M.Rebase		18.06.2014	
APPV'D				

DESCRIPTION:

Slide MIA



**Tiptaptap** OÜ

Tiptaptap OÜ  
Veetorni 9,  
Jüri alevik, Rae vald,  
75301 Harjumaa

MATERIAL:

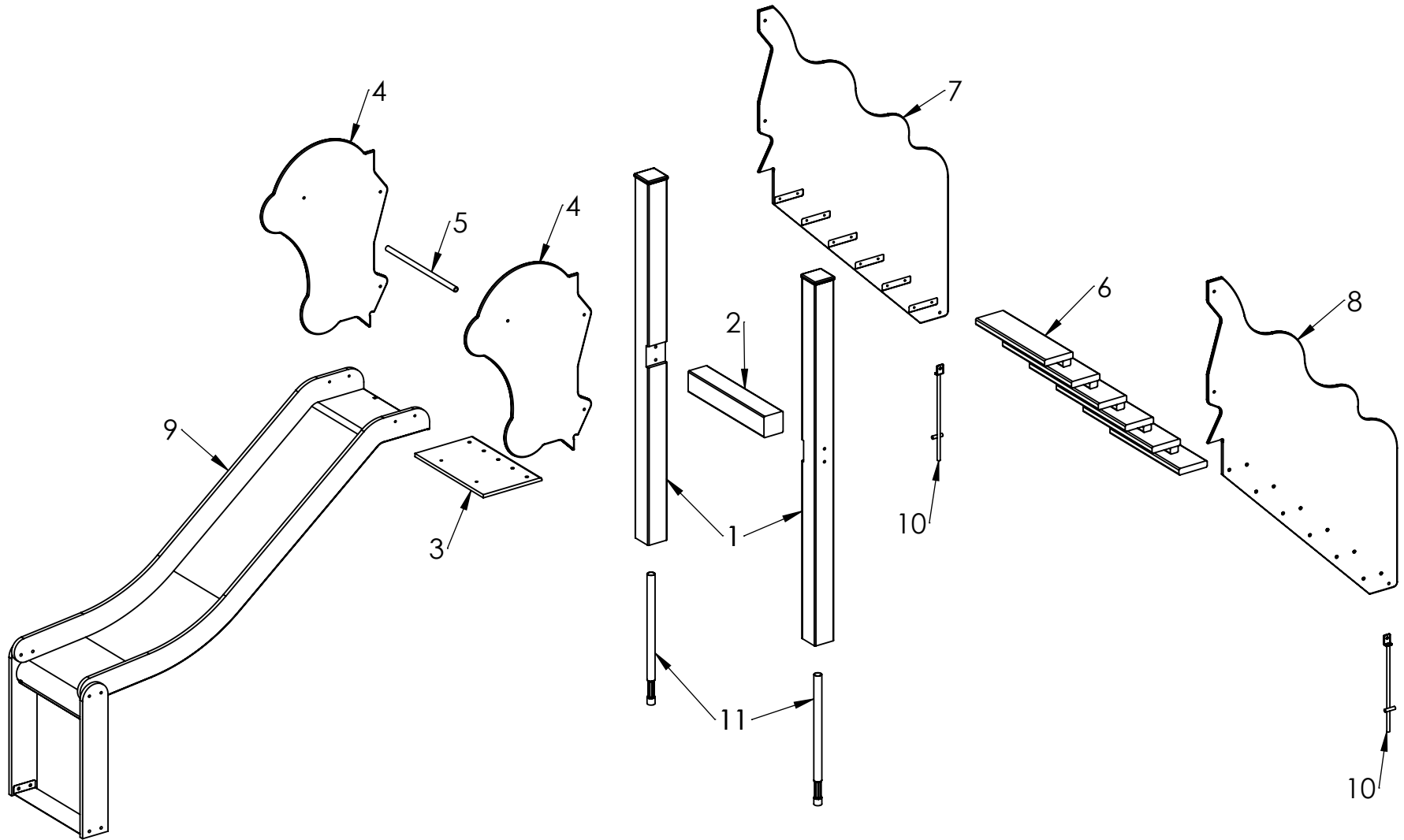
wood, metal, plastic

A4

WEIGHT:

SCALE: 1:30

SHEET 4 OF 11



UNLESS OTHERWISE SPECIFIED:  
 DIMENSIONS ARE IN MILLIMETERS  
 WEIGHT ARE IN KILOGRAMM

PART NUMBER / DWG NO.:  
**LM004**

	NAME	SIGNATURE	DATE	REVISION
DRAWN	M.Rebase		18.06.2014	
APPV'D				

DESCRIPTION:  
**Slide MIA**




**Tiptaptap** OÜ  
 Tiptaptap OÜ  
 Veetorni 9,  
 Jüri alevik, Rae vald,  
 75301 Harjumaa

MATERIAL:	wood, metal, plastic	A4
WEIGHT:	SCALE: 1:25	SHEET 5 OF 11

ITEM NO.	PART NUMBER	DESCRIPTION	QTY.
1	post 98x98x1670	laminated wood	2
2	post98x98x530	laminated wood	1
3	plate 500x300	PE plastic	1
4	slide guard panel	plywood	2
5	slide guardrail	stainless steel	1
6	stair steps	laminated wood	6
7	stairs right side panel	plywood	1
8	stairs left side panel	plywood	1
9	slide h_950	stainless steel, PE plastic	1
10	ground fixture L-shape	galvanized steel	2
11	metal ground fixing L_600	galvanized steel	2



UNLESS OTHERWISE SPECIFIED: DIMENSIONS ARE IN MILLIMETERS WEIGHT ARE IN KILOGRAMM				PART NUMBER / DWG NO.: <b>LM004</b>	
	NAME	SIGNATURE	DATE	REVISION	
DRAWN	M.Rebase		18.06.2014		
APPV'D					
 <b>Tiptaptap</b> OÜ Veetorni 9, Jüri alevik, Rae vald, 75301 Harjumaa				DESCRIPTION: <b>Slide MIA</b>	
				MATERIAL:	wood, metal, plastic
WEIGHT:				SCALE: 1:25	SHEET 6 OF 11

A

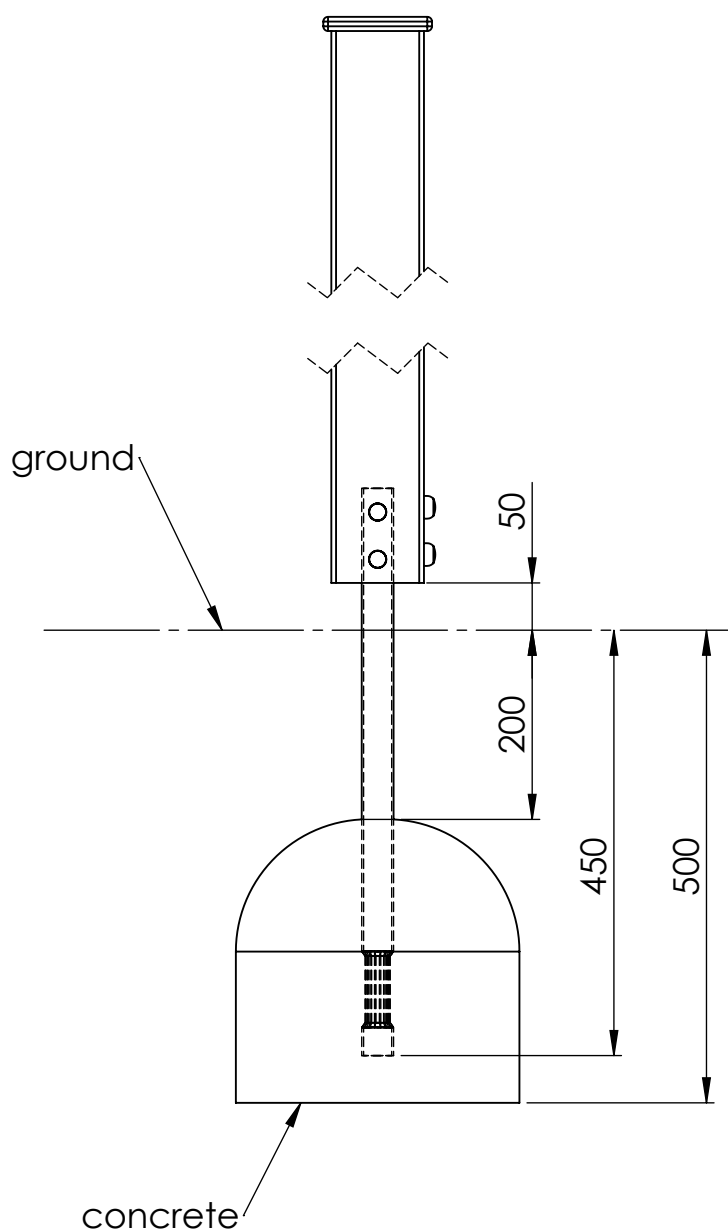
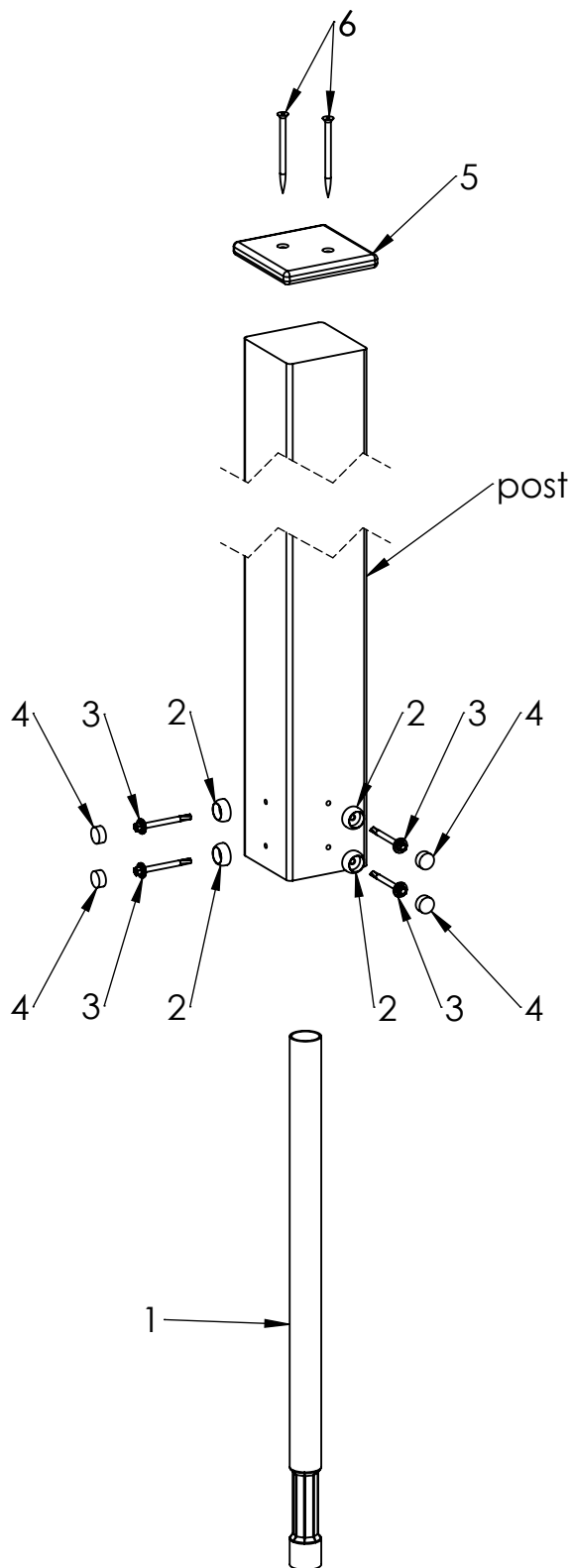
B

C

D

E

F



ITEM NO.	PART NUMBER
1	metal ground fixing L_600
2	nut cover M6
3	screw DIN7504K 5,5x68
4	nut cover cap M6
5	plastic cap 115x115
6	woodscrew 6 x 90

UNLESS OTHERWISE SPECIFIED:  
DIMENSIONS ARE IN MILLIMETERS  
WEIGHT ARE IN KILOGRAMM

PART NUMBER / DWG NO.:

LM004

	NAME	SIGNATURE	DATE	REVISION
DRAWN	M.Rebase		18.06.2014	
APPV'D				

DESCRIPTION:

Slide MIA  
connecting metal ground fixing to post

MATERIAL:

wood, metal, plastic

A4

WEIGHT:

SCALE: 1:8

SHEET 7 OF 11



**Tiptap** OÜ

Tiptap OÜ  
Veetorni 9,  
Jüri alevik, Rae vald,  
75301 Harjumaa

A

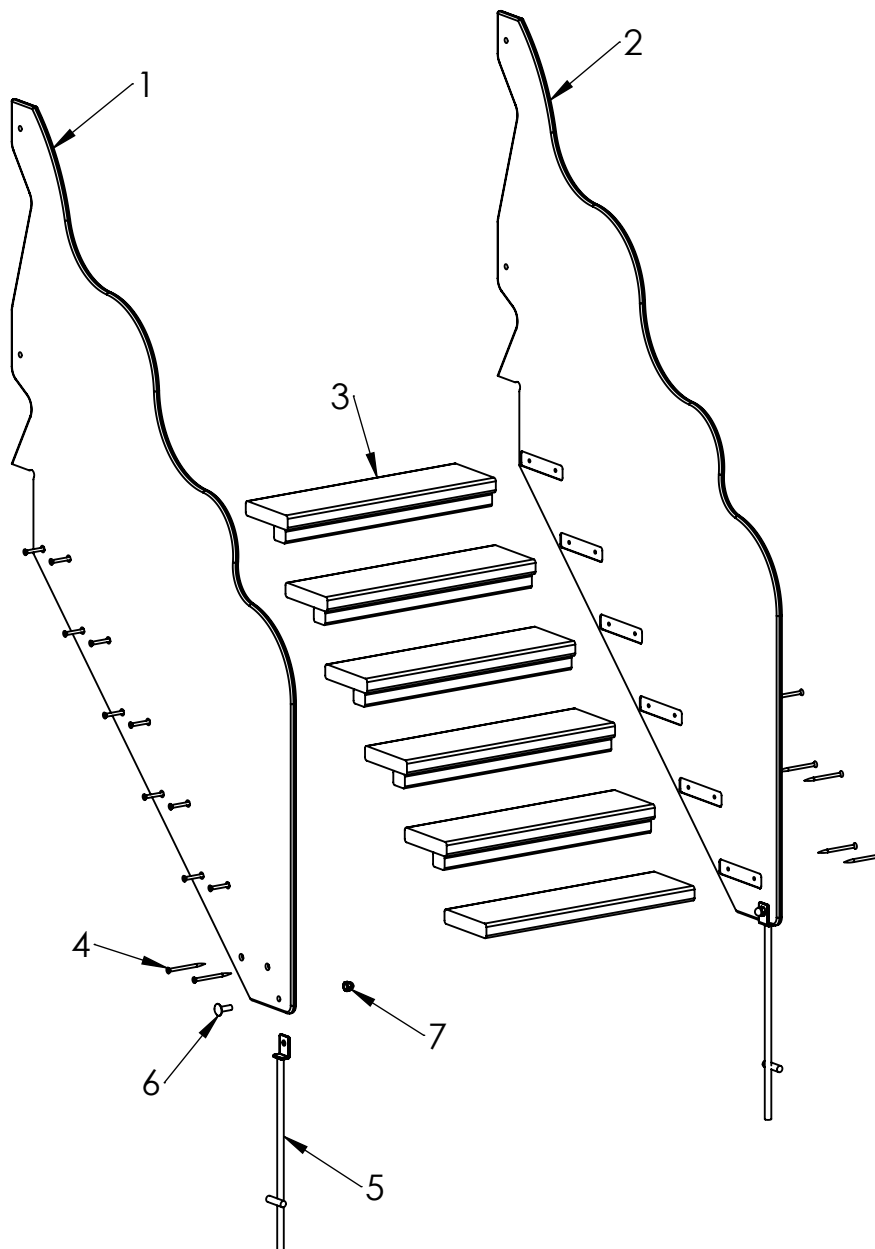
B

C

D

E

F



ITEM NO.	PART NUMBER
1	stairs left side panel
2	stairs right side panel
3	stair steps
4	woodscrew 6 x 90
5	ground fixture L-shape
6	bolt DIN603 M10x30
7	domed cap nut DIN1587 M10

UNLESS OTHERWISE SPECIFIED:  
DIMENSIONS ARE IN MILLIMETERS  
WEIGHT ARE IN KILOGRAMM

PART NUMBER / DWG NO.:

LM004

	NAME	SIGNATURE	DATE	REVISION
DRAWN	M.Rebase		18.06.2014	
APPV'D				

DESCRIPTION:

Slide MIA

MATERIAL:

wood, metal, plastic

A4

WEIGHT:

SCALE: 1:15

SHEET 8 OF 11



**Tiptap** OÜ

Tiptap OÜ  
Veetorni 9,  
Jüri alevik, Rae vald,  
75301 Harjumaa



A

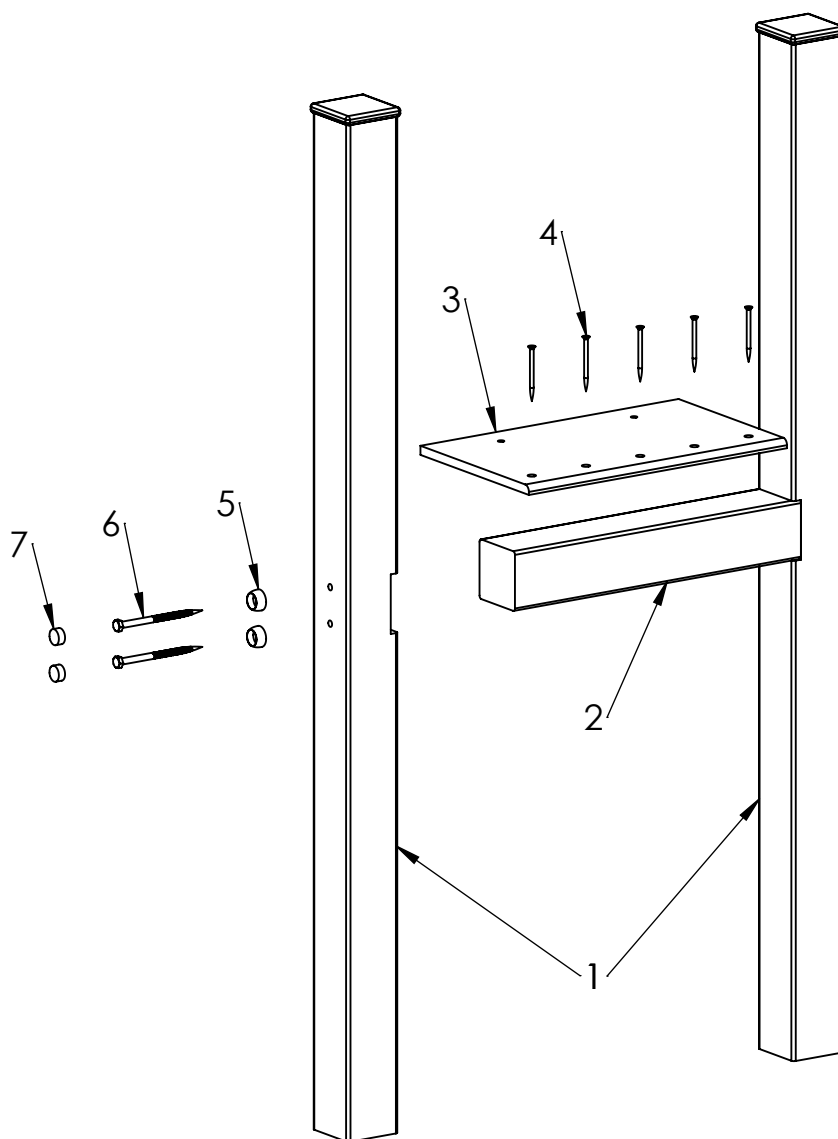
B

C

D

E

F



ITEM NO.	PART NUMBER
1	post 98x98x1670
2	post98x98x530
3	plate 500x300
4	woodscrew 6 x 90
5	nut cover M10
6	screw DIN571 10x160
7	nut cover cap M10

UNLESS OTHERWISE SPECIFIED:  
DIMENSIONS ARE IN MILLIMETERS  
WEIGHT ARE IN KILOGRAMM

PART NUMBER / DWG NO.:

LM004

	NAME	SIGNATURE	DATE	REVISION
DRAWN	M.Rebase		18.06.2014	
APPV'D				

DESCRIPTION:

Slide MIA



**Tiptap** OÜ

Tiptap OÜ  
Veetorni 9,  
Jüri alevik, Rae vald,  
75301 Harjumaa

MATERIAL:

wood, metal, plastic

A4

WEIGHT:

SCALE: 1:12

SHEET 9 OF 11

A

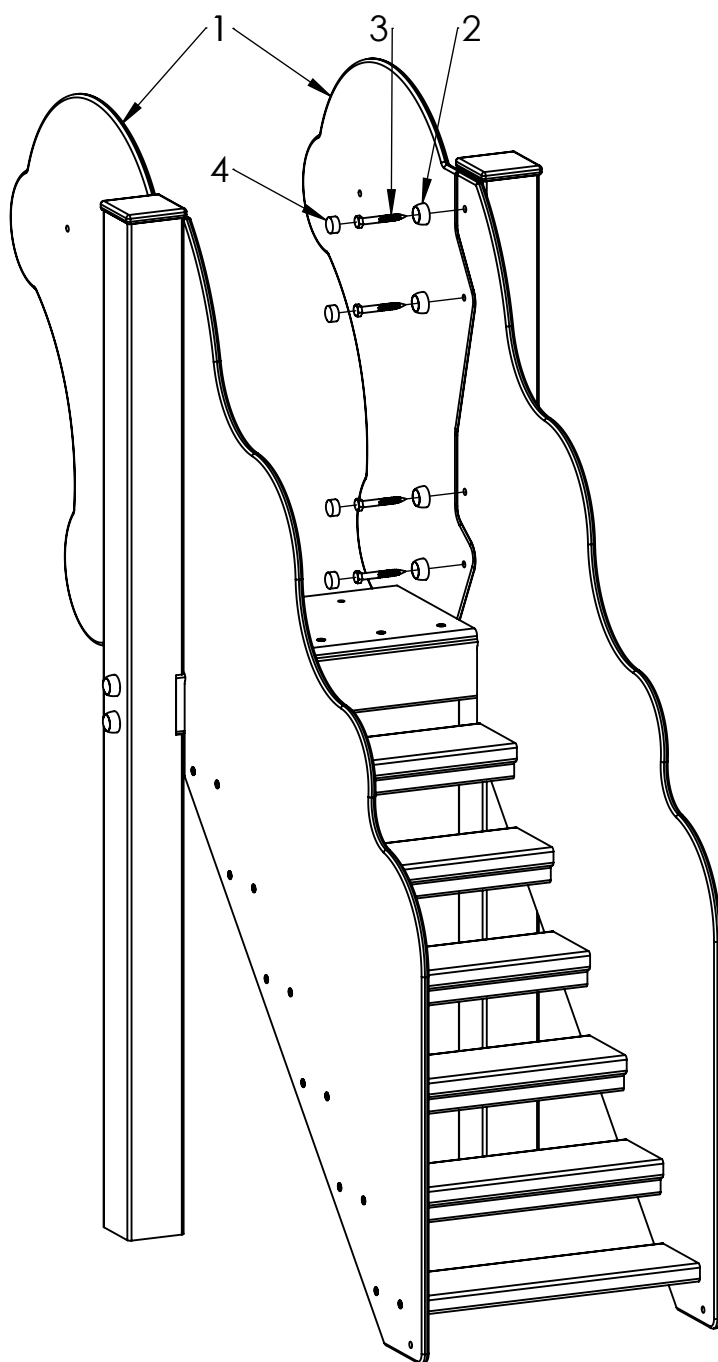
B

C

D

E

F



ITEM NO.	PART NUMBER
1	slide guard panel
2	nut cover M10
3	wood screw DIN571 10x80
4	nut cover cap M10

UNLESS OTHERWISE SPECIFIED:  
DIMENSIONS ARE IN MILLIMETERS  
WEIGHT ARE IN KILOGRAMM

	NAME	SIGNATURE	DATE	REVISION
DRAWN	M.Rebase		18.06.2014	
APPV'D				

PART NUMBER / DWG NO.:

LM004

DESCRIPTION:

Slide MIA

MATERIAL:

wood, metal, plastic

A4

WEIGHT:

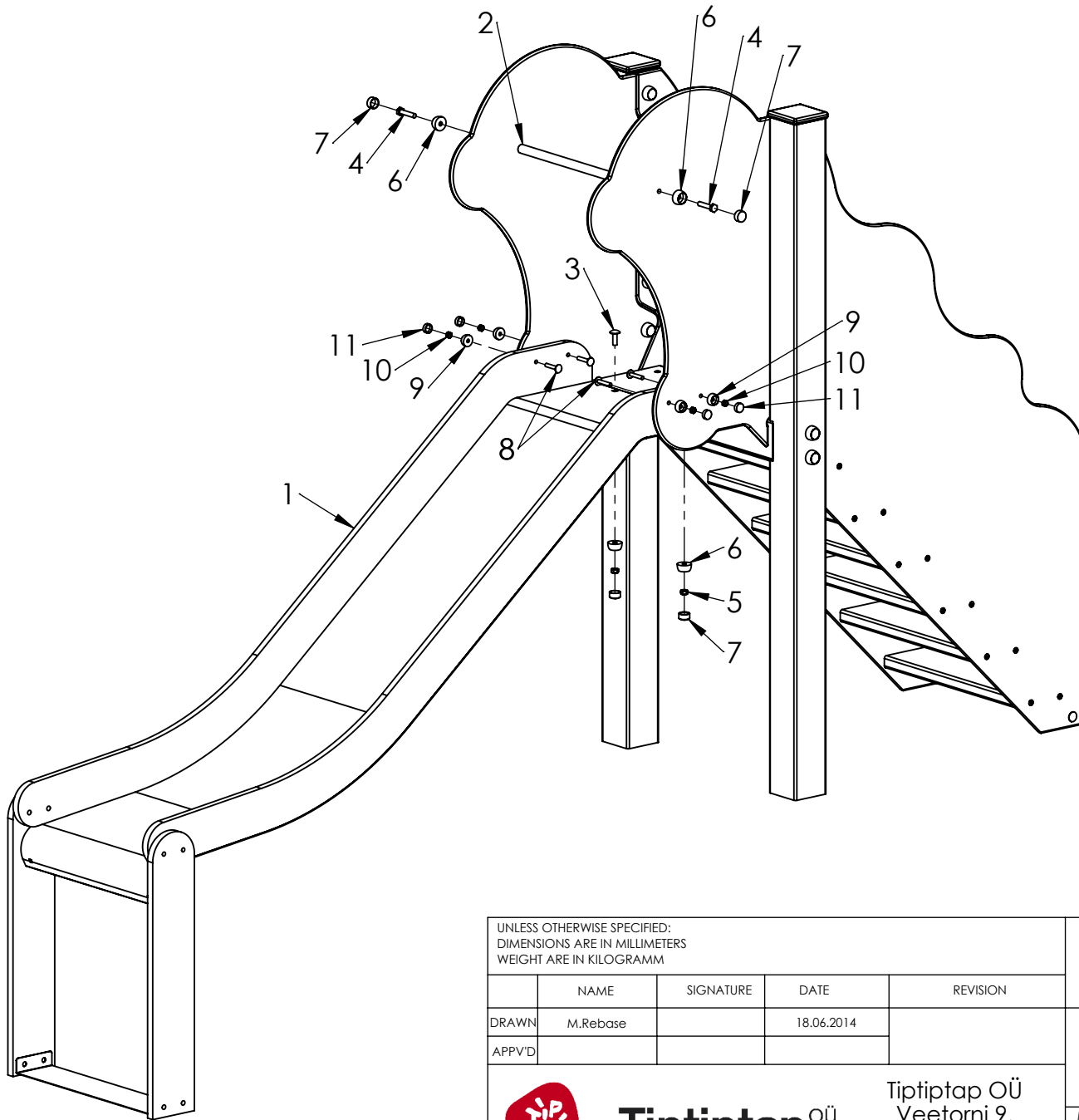
SCALE: 1:12

SHEET 10 OF 11




**Tiptiptap** OÜ

Tiptiptap OÜ  
Veetorni 9,  
Jüri alevik, Rae vald,  
75301 Harjumaa



ITEM NO.	PART NUMBER
1	slide side board h_950
2	slide guardrail
3	bolt DIN603 M10x30
4	bolt DIN933 M10x50
5	nut DIN985 M10
6	nut cover M10
7	nut cover cap M10
8	bolt DIN603 M8x45
9	nut cover M8
10	nut DIN985 M8
11	nut cover cap M8

UNLESS OTHERWISE SPECIFIED: DIMENSIONS ARE IN MILLIMETERS WEIGHT ARE IN KILOGRAMM					PART NUMBER / DWG NO.: <b>LM004</b>	
	NAME	SIGNATURE	DATE	REVISION	DESCRIPTION: <b>Slide MIA</b>	
DRAWN	M.Rebase		18.06.2014			
APPV'D						
 <b>Tiptap</b> OÜ Tiptap OÜ Veetorni 9, Jüri alevik, Rae vald, 75301 Harjumaa					MATERIAL:	wood, metal, plastic
					WEIGHT:	SCALE: 1:15
					SHEET 11 OF 11	