

A

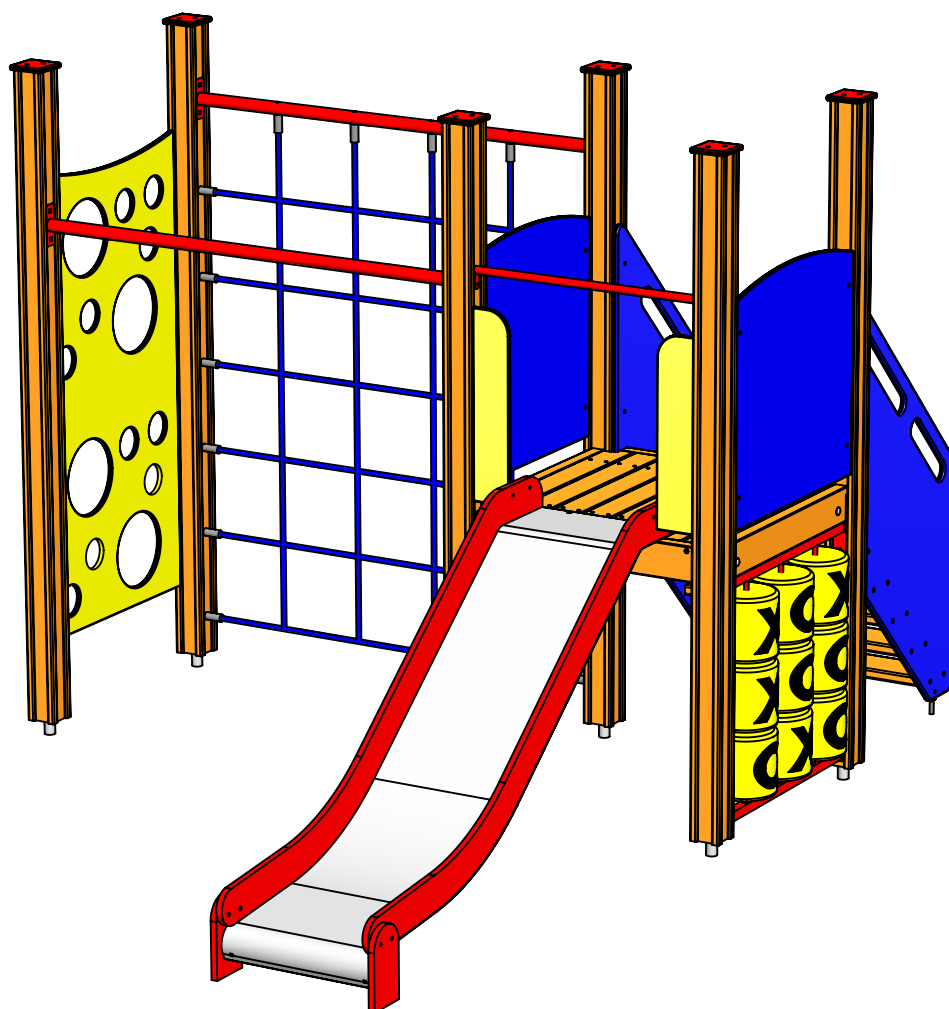
B

C

D

E

F



UNLESS OTHERWISE SPECIFIED:
DIMENSIONS ARE IN MILLIMETERS
WEIGHT ARE IN KILOGRAMM

PART NUMBER / DWG NO.:

LM003 MF

	NAME	SIGNATURE	DATE	REVISION
DRAWN	R.Fedotov		16.07.2014	
APPV'D				

DESCRIPTION:

Play Centre JACOB



Tiptaptap OÜ

Tiptaptap OÜ
Veetorni 9,
Jüri alevik, Rae vald,
75301 Harjumaa

MATERIAL:

wood, metal, plastic

A4

WEIGHT:

SCALE: 1:20

SHEET 1 OF 15

safety area

A

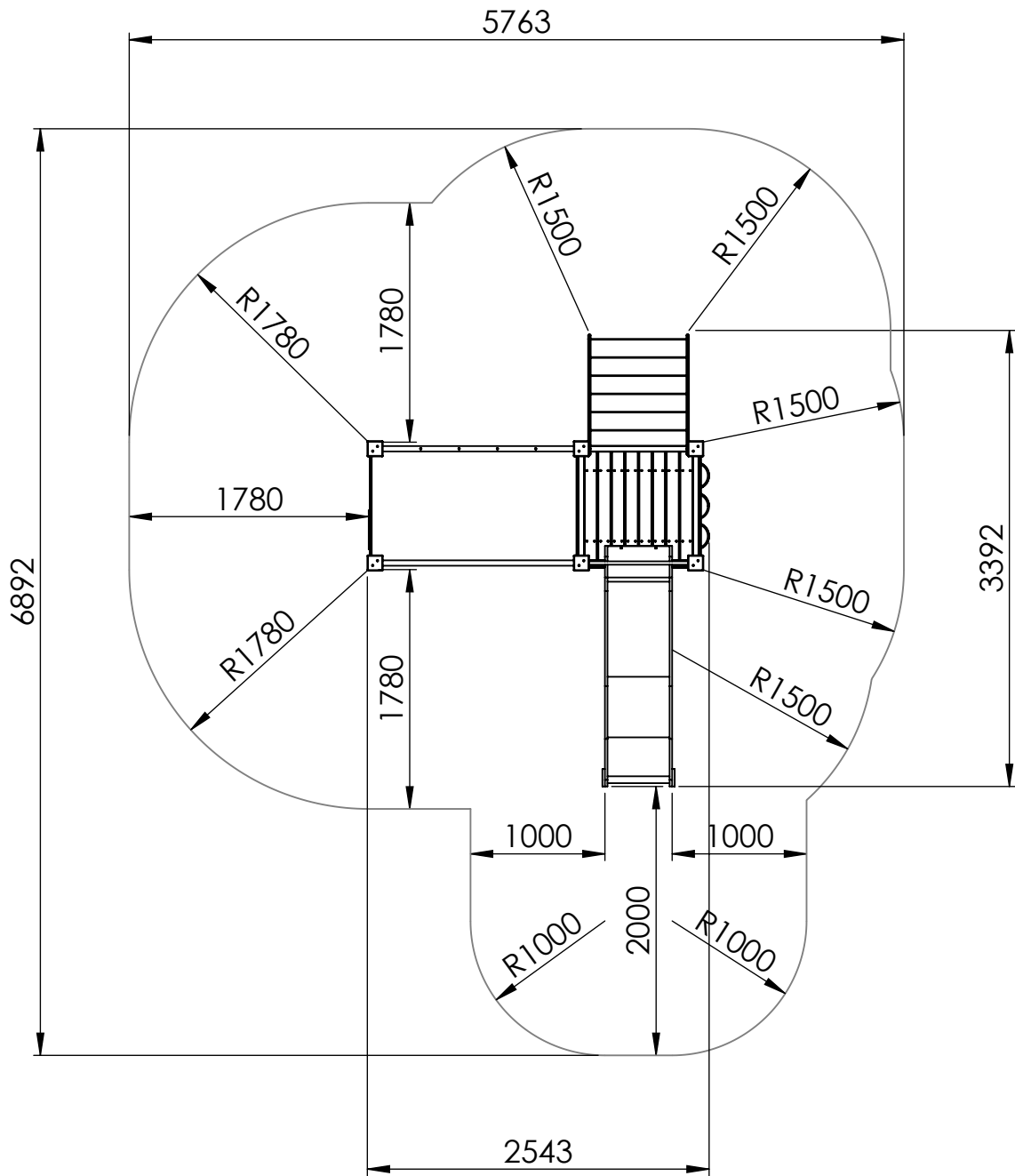
B

C

D

E

F



UNLESS OTHERWISE SPECIFIED:
DIMENSIONS ARE IN MILLIMETERS
WEIGHT ARE IN KILOGRAMM

PART NUMBER / DWG NO.:

LM003 MF

	NAME	SIGNATURE	DATE	REVISION
DRAWN	R.Fedotov		16.07.2014	
APPV'D				

DESCRIPTION:

Play Centre JACOB



Tiptaptap OÜ

Tiptaptap OÜ
Veetorni 9,
Jüri alevik, Rae vald,
75301 Harjumaa

MATERIAL:

wood, metal, plastic

A4

WEIGHT:

SCALE: 1:50

SHEET 2 OF 15

foundation

A

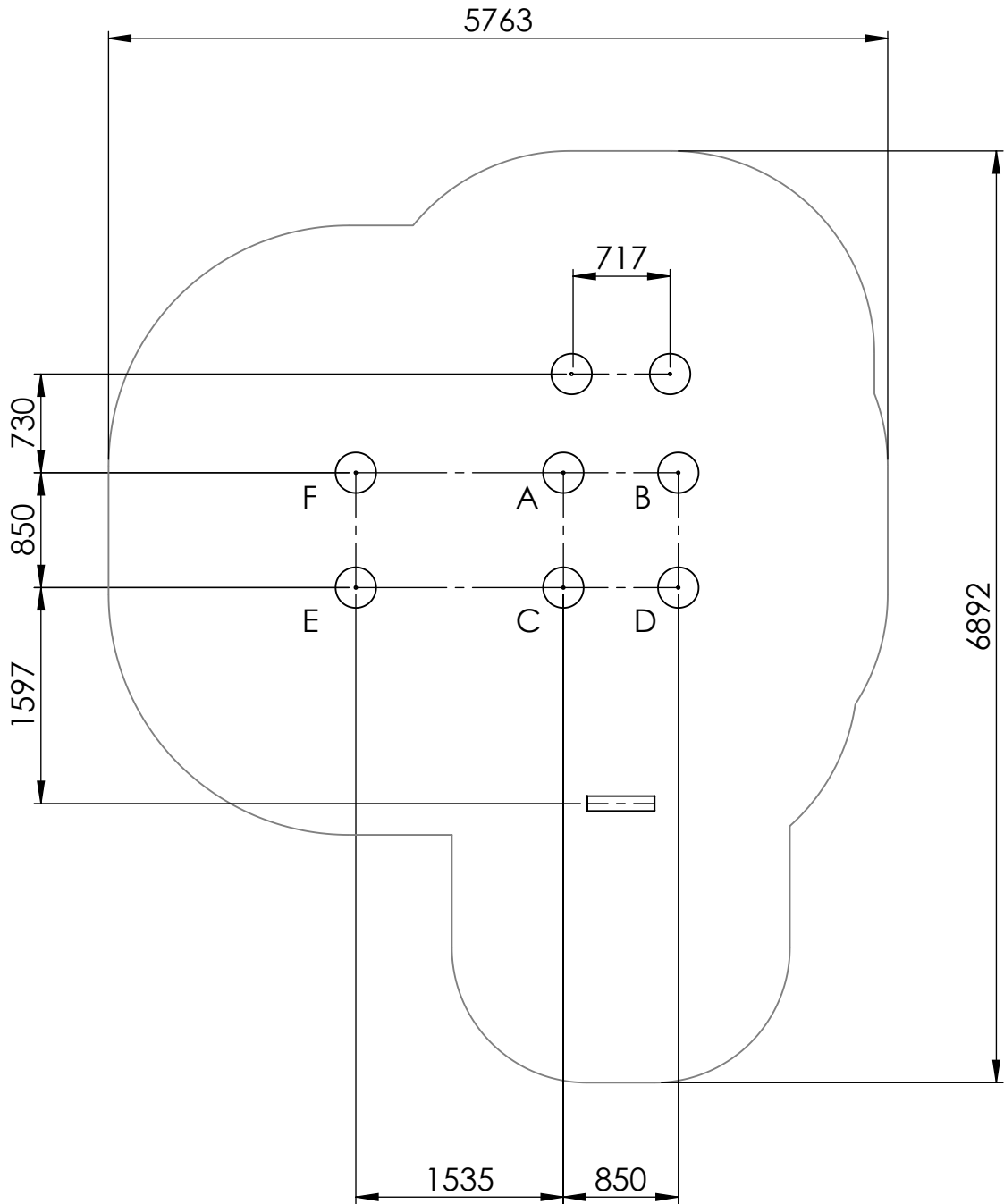
B

C

D

E

F



depth of foundation 500mm

UNLESS OTHERWISE SPECIFIED:
DIMENSIONS ARE IN MILLIMETERS
WEIGHT ARE IN KILOGRAMM

PART NUMBER / DWG NO.:

LM003 MF

	NAME	SIGNATURE	DATE	REVISION
DRAWN	R.Fedotov		16.07.2014	
APPV'D				

DESCRIPTION:

Play Centre JACOB



Tiptaptap OÜ

Tiptaptap OÜ
Veetorni 9,
Jüri alevik, Rae vald,
75301 Harjumaa

MATERIAL:

wood, metal, plastic

A4

WEIGHT:

SCALE: 1:50

SHEET 3 OF 15

A

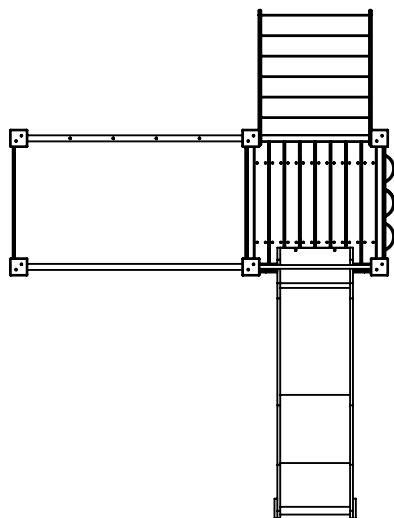
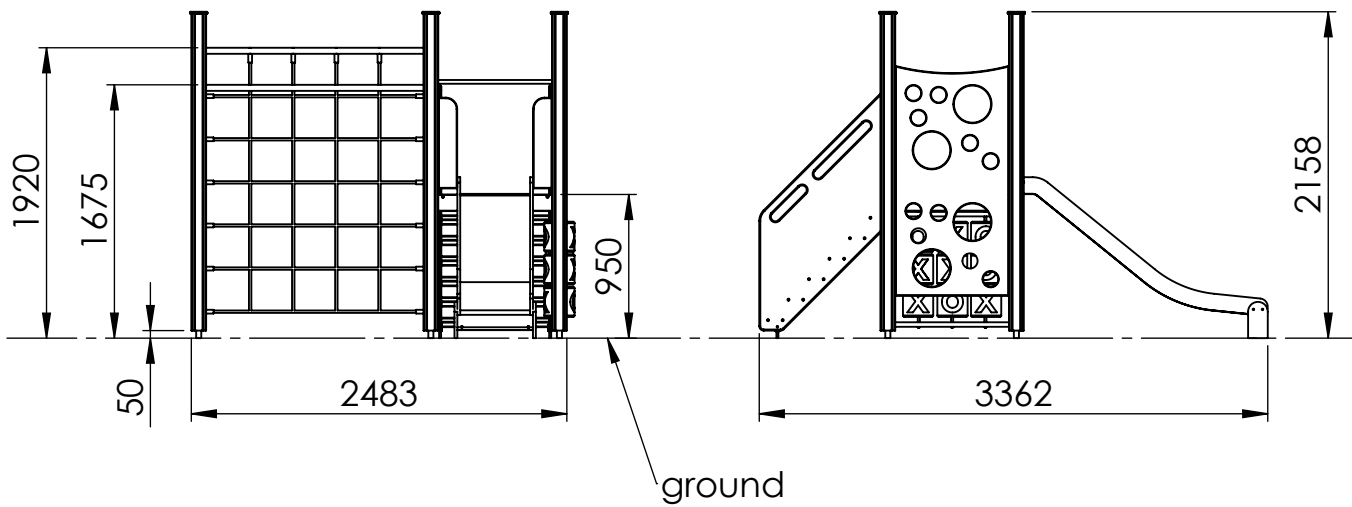
B

C

D

E

F



UNLESS OTHERWISE SPECIFIED:
DIMENSIONS ARE IN MILLIMETERS
WEIGHT ARE IN KILOGRAMM

PART NUMBER / DWG NO.:

LM003 MF

	NAME	SIGNATURE	DATE	REVISION
DRAWN	R.Fedotov		16.07.2014	
APPV'D				

DESCRIPTION:

Play Centre JACOB



Tiptaptap OÜ

Tiptaptap OÜ
Veetorni 9,
Jüri alevik, Rae vald,
75301 Harjumaa

MATERIAL:

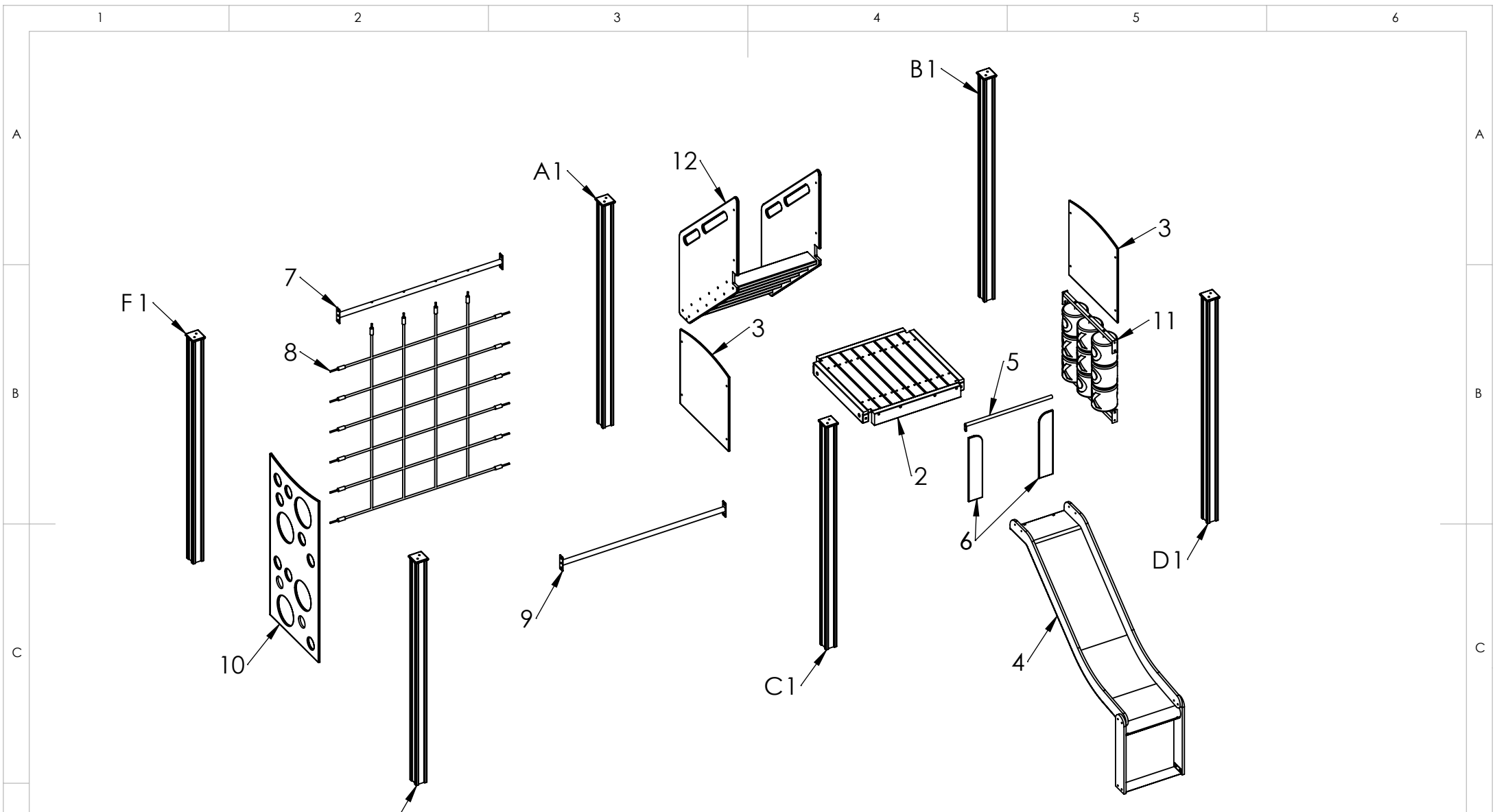
wood, metal, plastic

A4

WEIGHT:

SCALE: 1:50

SHEET 4 OF 15



UNLESS OTHERWISE SPECIFIED:
 DIMENSIONS ARE IN MILLIMETERS
 WEIGHT ARE IN KILOGRAMM

PART NUMBER / DWG NO.:
LM003 MF

	NAME	SIGNATURE	DATE	REVISION
DRAWN	R.Fedotov		16.07.2014	
APPV'D				

DESCRIPTION:
Play Centre JACOB



Tiptaptap OÜ
 Tiptaptap OÜ
 Veetorni 9,
 Jüri alevik, Rae vald,
 75301 Harjumaa

MATERIAL:	wood, metal, plastic	A4
WEIGHT:		SCALE: 1:40
		SHEET 5 OF 15

ITEM NO.	PART NUMBER	DESCRIPTION	QTY.
1	post 98x98x2100	painted aluminium	6
2	platform	laminated wood, metal	1
3	panel 750x750	PE plastic	2
4	slide h_950	stainless steel, PE plastic	1
5	guardrail ϕ 25x770	painted steel	1
6	panel 125x600	PE plastic	2
7	beam 40x1455 for net	painted steel	1
8	climbing net	PP covered steel wire	1
9	beam 40x1455	painted steel	1
10	climbing wall h_750x1520	PE plastic	1
11	OXO spinner	PE plastic	1
12	Stairs_950 MF	PE plastic	1



UNLESS OTHERWISE SPECIFIED: DIMENSIONS ARE IN MILLIMETERS WEIGHT ARE IN KILOGRAMM				
	NAME	SIGNATURE	DATE	REVISION
DRAWN	R.Fedotov		16.07.2014	
APPV'D				

PART NUMBER / DWG NO.:	LM003 MF
DESCRIPTION:	Play Centre JACOB



Tiptaptap OÜ
 Veetorni 9,
 Jüri alevik, Rae vald,
 75301 Harjumaa

MATERIAL:	wood, metal, plastic	A4
WEIGHT:	SCALE: 1:30	SHEET 6 OF 15

A

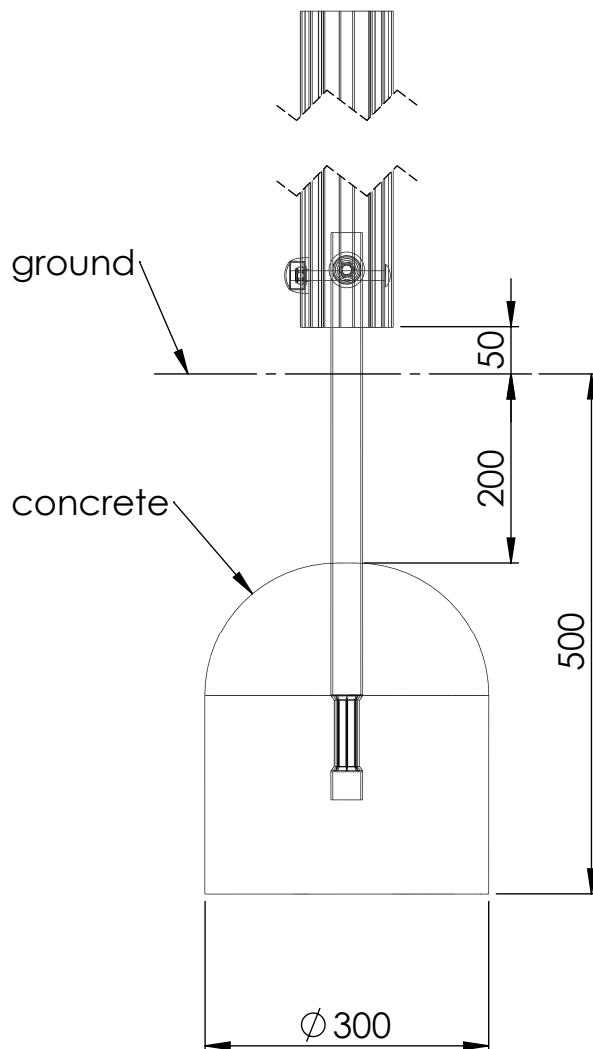
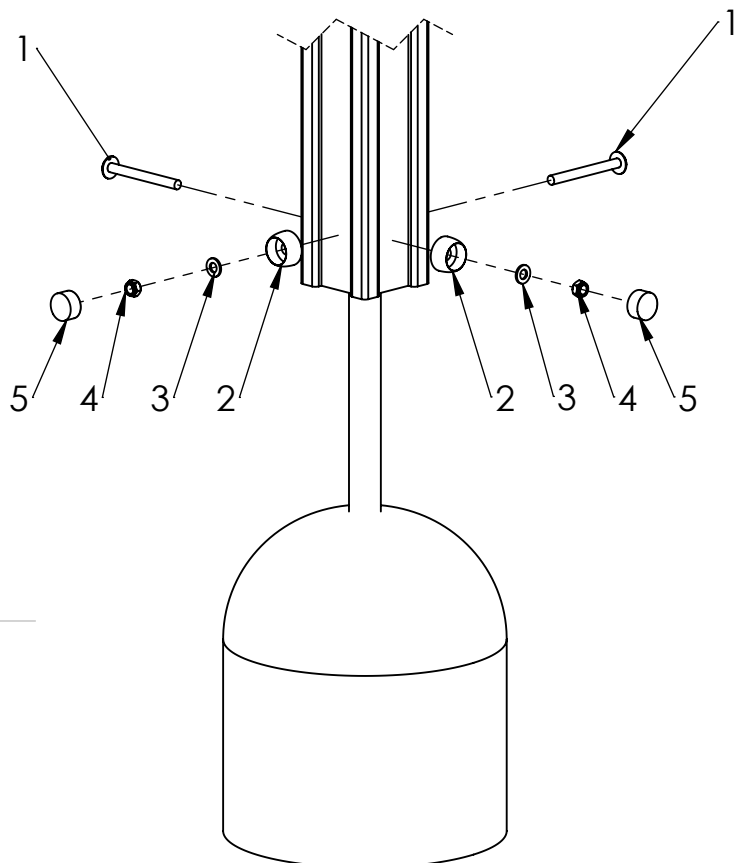
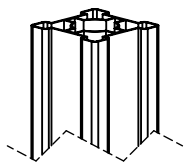
B

C

D

E

F



ITEM NO.	PART NUMBER
1	bolt DIN603 M10x100
2	nut cover M12
3	washer M10
4	nut DIN985 M10
5	nut cover cap M12

UNLESS OTHERWISE SPECIFIED:
DIMENSIONS ARE IN MILLIMETERS
WEIGHT ARE IN KILOGRAMM

	NAME	SIGNATURE	DATE	REVISION
DRAWN	R.Fedotov		16.07.2014	
APPV'D				

PART NUMBER / DWG NO.:

LM003 MF

DESCRIPTION:

Play Centre JACOB

MATERIAL:

wood, metal, plastic

A4

WEIGHT:

SCALE: 1:8

SHEET 7 OF 15



Tiptap OÜ

Tiptap OÜ
Veetorni 9,
Jüri alevik, Rae vald,
75301 Harjumaa

A

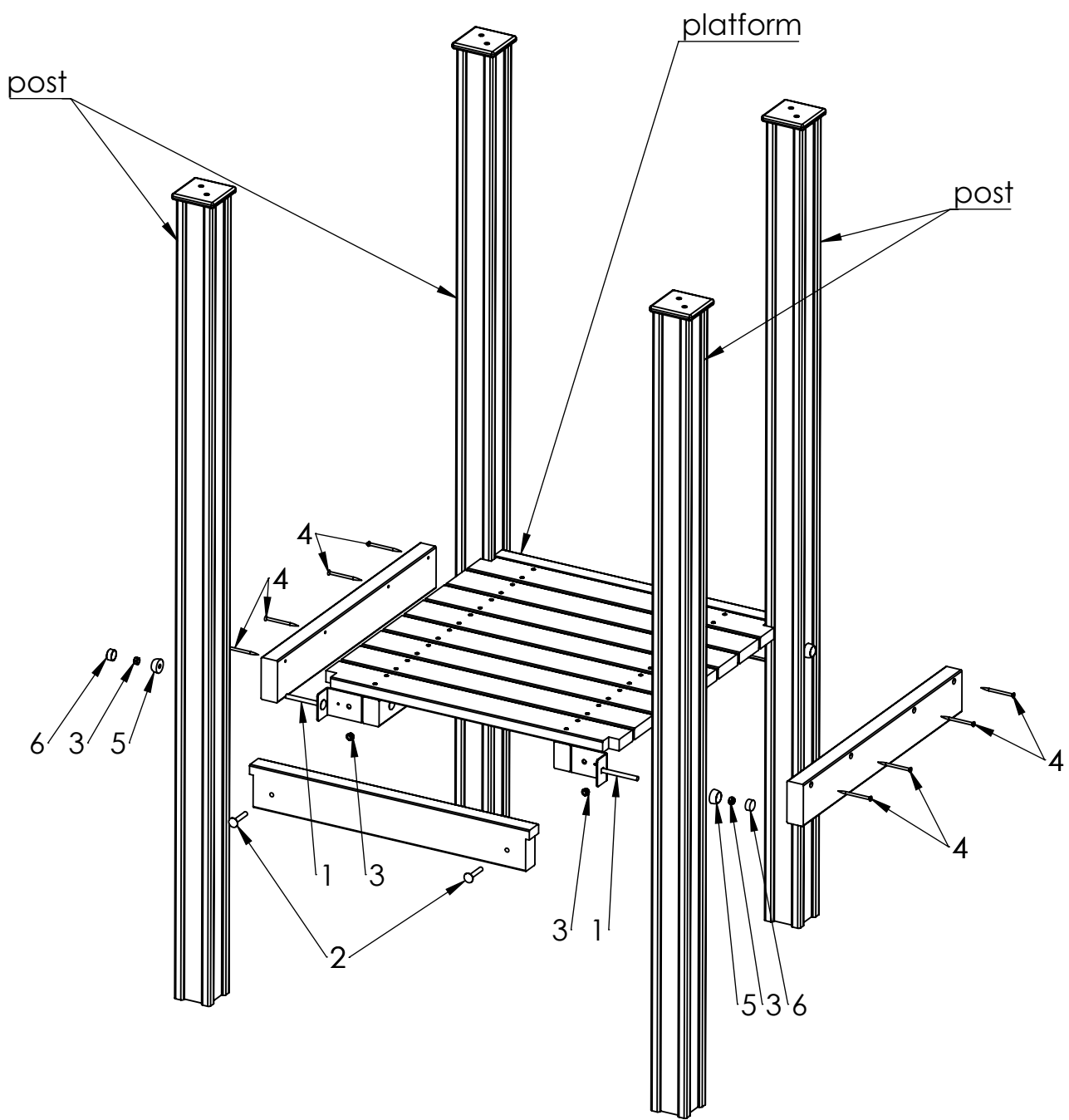
B

C

D

E

F



ITEM NO.	PART NUMBER
1	bolt DIN603 M10x100
2	bolt DIN603 M10x60
3	nut DIN985 M10
4	Woodscrew 6 x 90
5	nut cover M10
6	nut cover cap M10

UNLESS OTHERWISE SPECIFIED:
 DIMENSIONS ARE IN MILLIMETERS
 WEIGHT ARE IN KILOGRAMM

	NAME	SIGNATURE	DATE	REVISION
DRAWN	R.Fedotov		16.07.2014	
APPV'D				

PART NUMBER / DWG NO.:
LM003 MF

DESCRIPTION:
**Play Centre JACOB
 connecting platform to post**



Tiptap OÜ

Tiptap OÜ
 Veetorni 9,
 Jüri alevik, Rae vald,
 75301 Harjumaa

MATERIAL: wood, metal, plastic

A4

WEIGHT: SCALE: 1:15 SHEET 8 OF 15

A

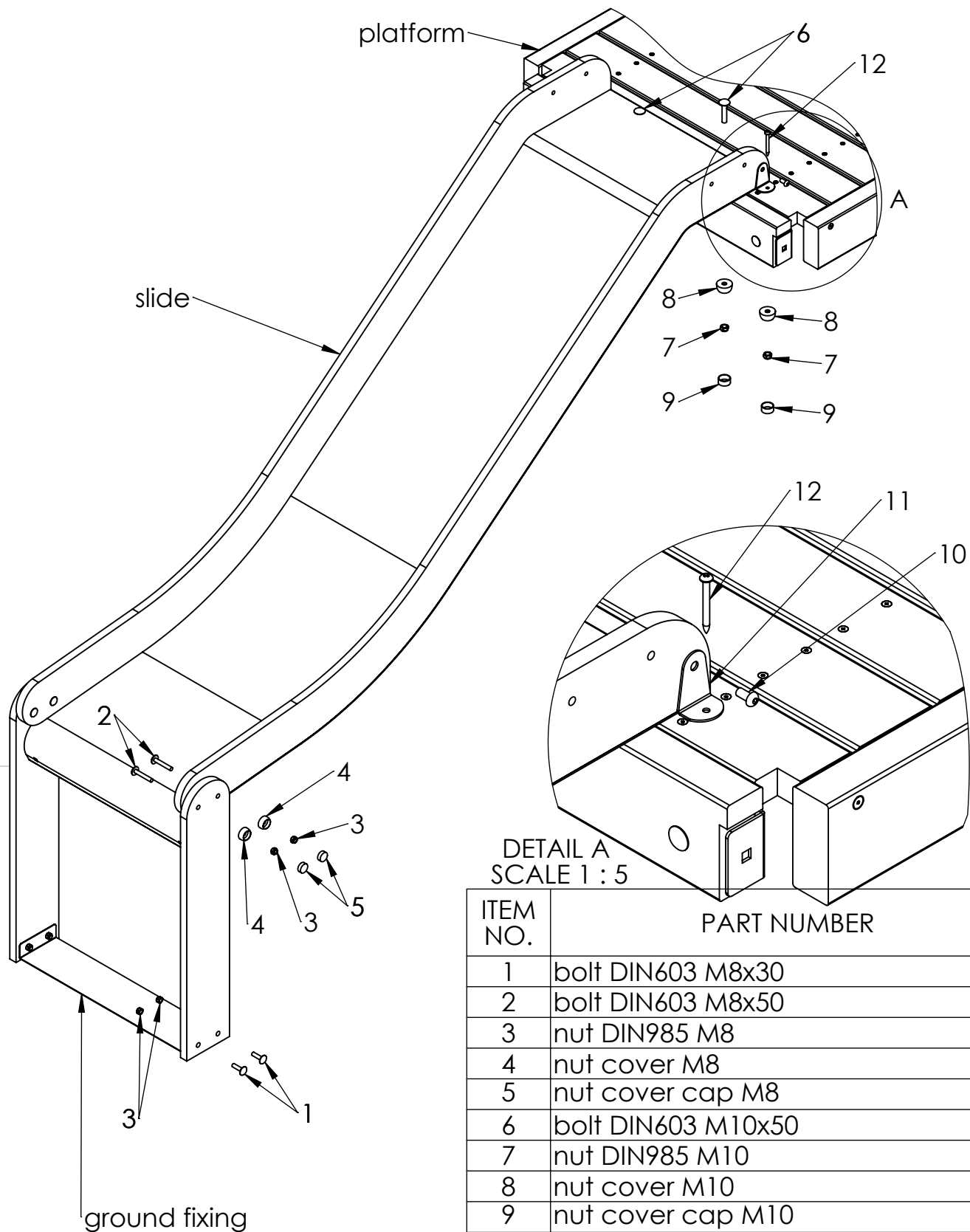
B

C

D

E

F



DETAIL A
SCALE 1 : 5

ITEM NO.	PART NUMBER
1	bolt DIN603 M8x30
2	bolt DIN603 M8x50
3	nut DIN985 M8
4	nut cover M8
5	nut cover cap M8
6	bolt DIN603 M10x50
7	nut DIN985 M10
8	nut cover M10
9	nut cover cap M10
10	metal screw DIN 7380 M8x16
11	corner 58x30
12	screw DIN7996 6x60

UNLESS OTHERWISE SPECIFIED:
DIMENSIONS ARE IN MILLIMETERS
WEIGHT ARE IN KILOGRAMM

	NAME	SIGNATURE	DATE	REVISION
DRAWN	R.Fedotov		16.07.2014	
APPV'D				

PART NUMBER / DWG NO.:

LM003 MF

DESCRIPTION:

Play Centre JACOB
connecting slide to platform

MATERIAL:

wood, metal, plastic

A4

WEIGHT:

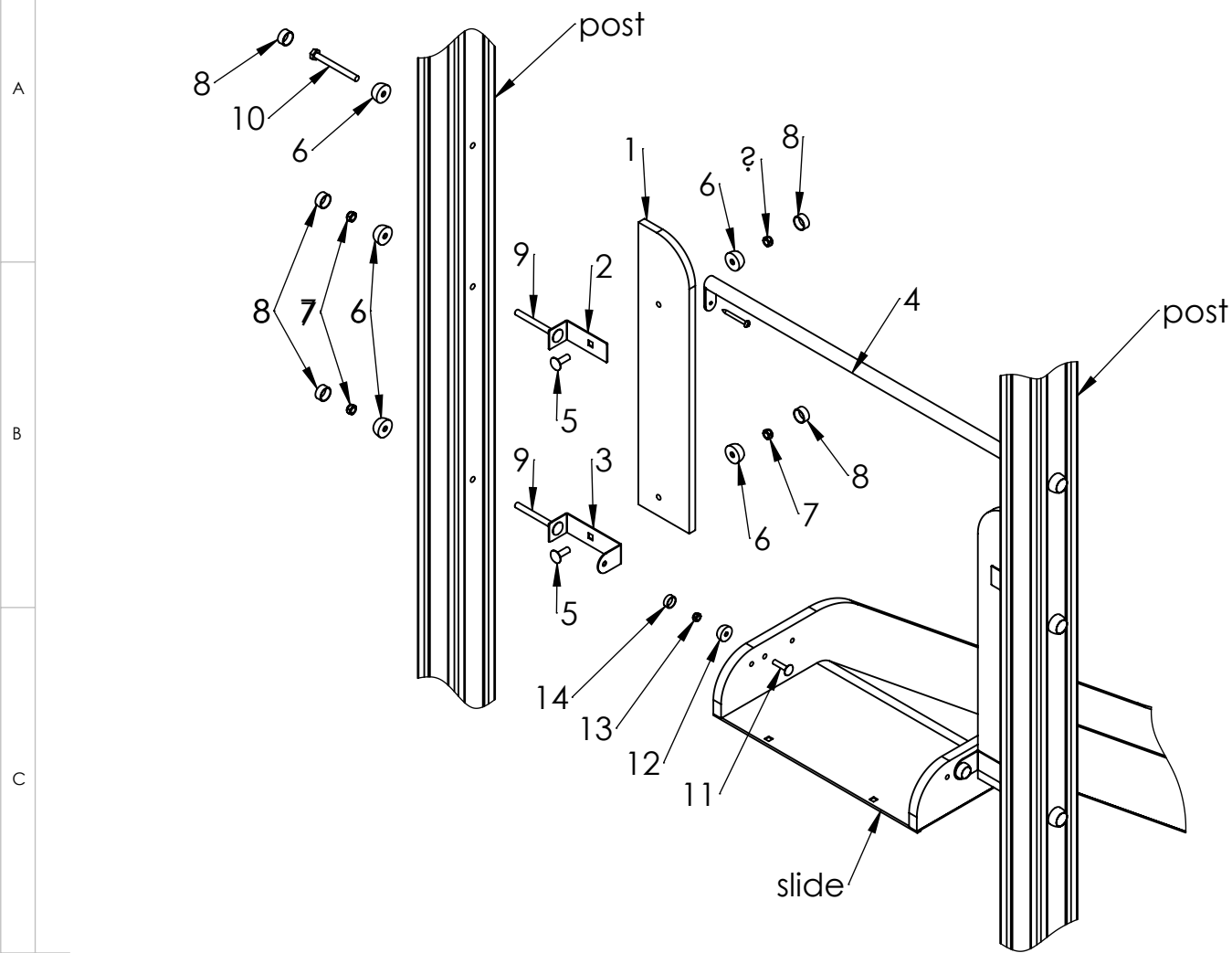
SCALE: 1:12

SHEET 9 OF 15



Tiptap OÜ

Tiptap OÜ
Veetorni 9,
Jüri alevik, Rae vald,
75301 Harjumaa



ITEM NO.	PART NUMBER
1	slide side panel 125x600
2	slide side panel fixing 40x100
3	slide side panel fixing 40x135
4	guardrail ϕ 25x770
5	bolt DIN603 M10x30
6	nut cover M10
7	nut DIN985 M10
8	nut cover cap M10
9	bolt DIN603 M10x100
10	bolt DIN931 M10x100
11	bolt DIN603 M8x35
12	nut cover M8
13	nut DIN985 M8
14	nut cover cap M8
15	screw DIN7996 6x60

UNLESS OTHERWISE SPECIFIED:
DIMENSIONS ARE IN MILLIMETERS
WEIGHT ARE IN KILOGRAMM

PART NUMBER / DWG NO.:

LM003 MF

	NAME	SIGNATURE	DATE	REVISION
DRAWN	R.Fedotov		16.07.2014	
APPV'D				

DESCRIPTION:

Play Centre JACOB
connecting slide side panel to post

MATERIAL:

wood, metal, plastic

A4

WEIGHT:

SCALE: 1:12

SHEET 10 OF 15



Tiptiptap OÜ

Tiptiptap OÜ
Veetorni 9,
Jüri alevik, Rae vald,
75301 Harjumaa

A

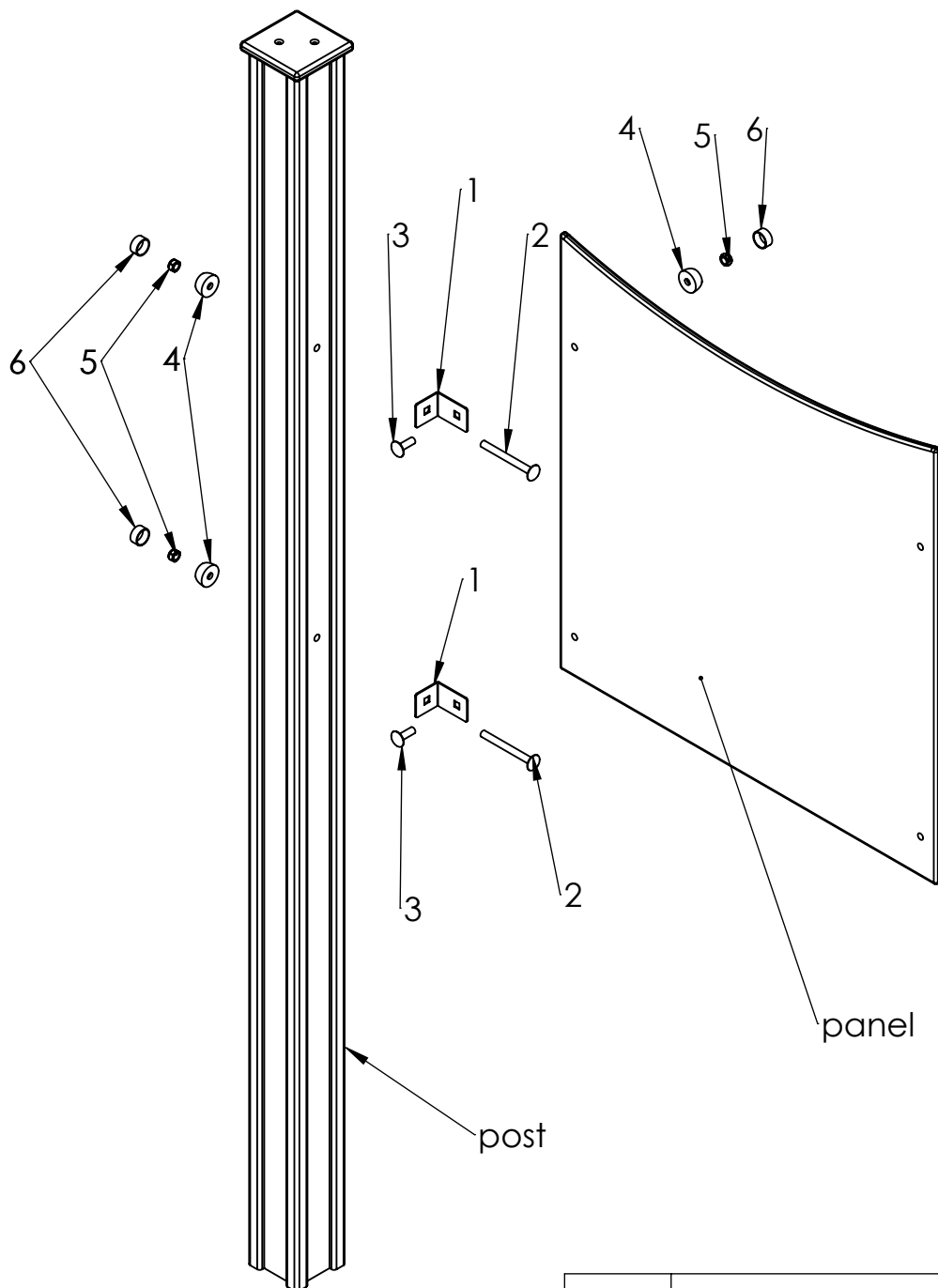
B

C

D

E

F



ITEM NO.	PART NUMBER
1	Corner 90°
2	bolt DIN603 M10x100
3	bolt DIN603 M10x30
4	nut cover M10
5	nut DIN985 M10
6	nut cover cap M10

UNLESS OTHERWISE SPECIFIED:
DIMENSIONS ARE IN MILLIMETERS
WEIGHT ARE IN KILOGRAMM

PART NUMBER / DWG NO.:

LM003 MF

	NAME	SIGNATURE	DATE	REVISION
DRAWN	R.Fedotov		16.07.2014	
APPV'D				

DESCRIPTION:

Play Centre JACOB
connecting panel to post

MATERIAL:

wood, metal, plastic

A4

WEIGHT:

SCALE: 1:10

SHEET 11 OF 15



Tiptap OÜ

Tiptap OÜ
Veetorni 9,
Jüri alevik, Rae vald,
75301 Harjumaa

A

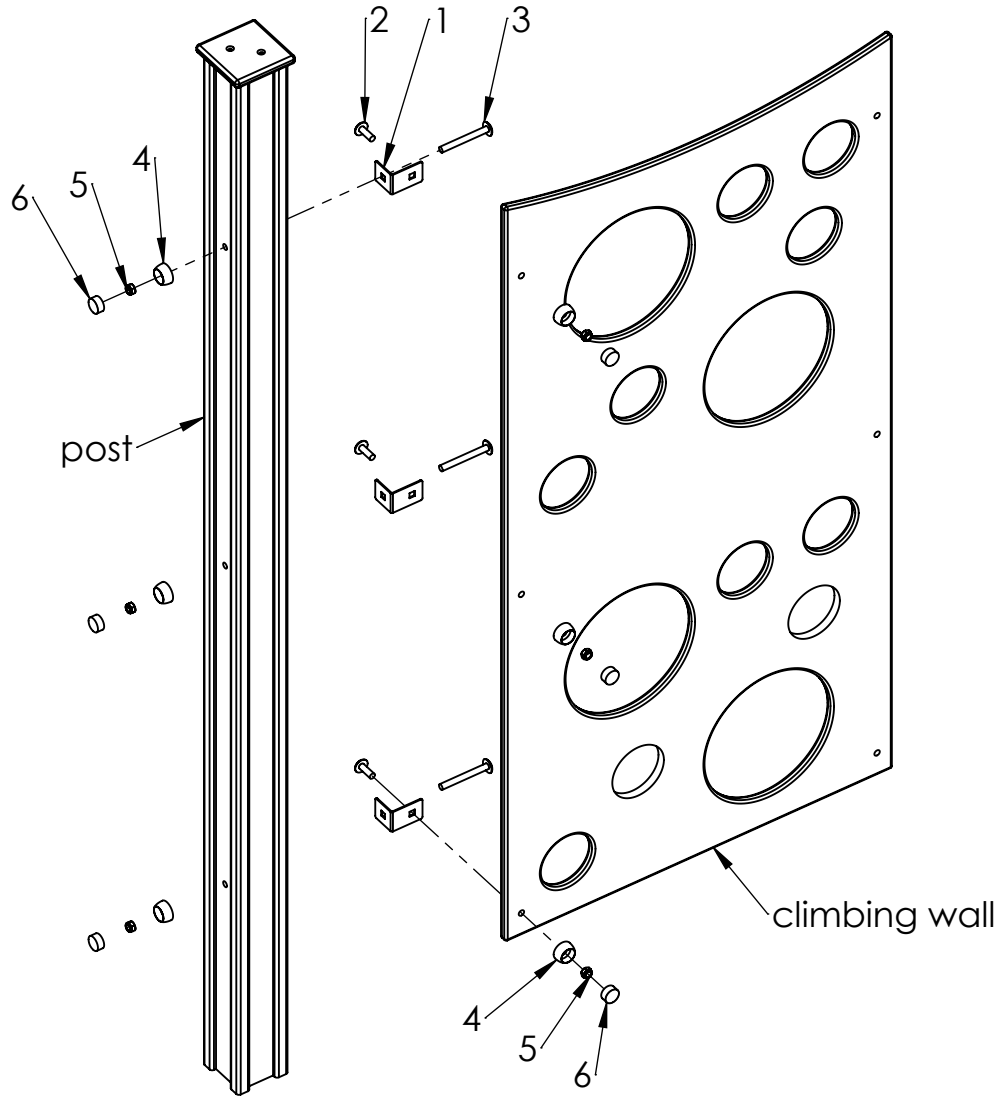
B

C

D

E

F



ITEM NO.	PART NUMBER
1	Corner 90°
2	bolt DIN603 M10x30
3	bolt DIN603 M10x90
4	nut cover M10
5	nut DIN985 M10
6	nut cover cap M10

UNLESS OTHERWISE SPECIFIED: DIMENSIONS ARE IN MILLIMETERS WEIGHT ARE IN KILOGRAMM				
	NAME	SIGNATURE	DATE	REVISION
DRAWN	R.Fedotov		16.07.2014	
APPV'D				

PART NUMBER / DWG NO.:	LM003 MF
DESCRIPTION:	Play Centre JACOB connecting climbing wall to post



Tiptap OÜ
 Veetorni 9,
 Jüri alevik, Rae vald,
 75301 Harjumaa

MATERIAL:	wood, metal, plastic	A4
WEIGHT:		SCALE: 1:12
		SHEET 12 OF 15

A

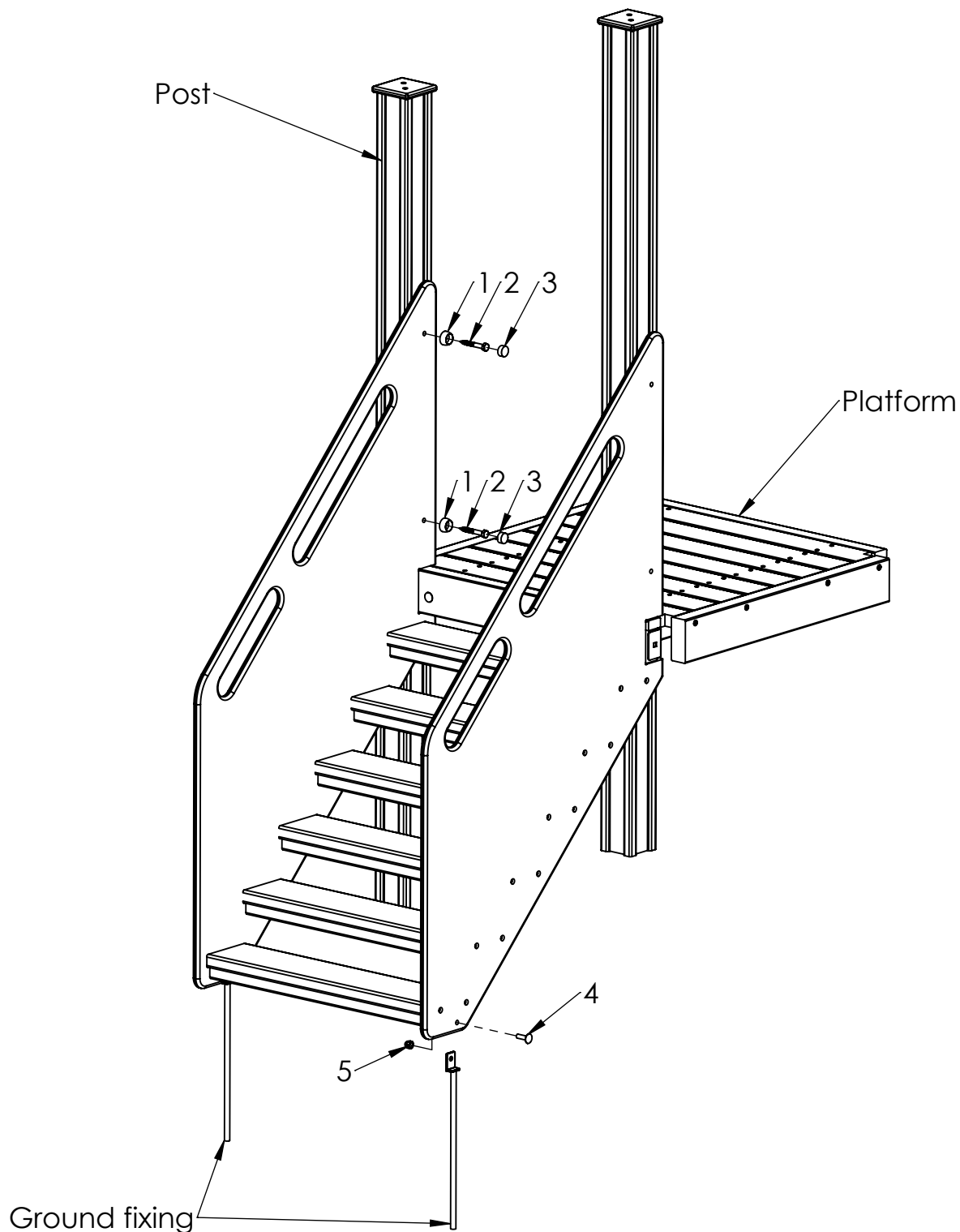
B

C

D

E

F



ITEM NO.	PART NUMBER
1	nut cover M10
2	wood screw DIN571 10x80
3	nut cover cap M10
4	bolt DIN603 M10x35
5	domed cap nut DIN1587 M10

UNLESS OTHERWISE SPECIFIED:
DIMENSIONS ARE IN MILLIMETERS
WEIGHT ARE IN KILOGRAMM

	NAME	SIGNATURE	DATE	REVISION
DRAWN	R.Fedotov		19.08.2015	
APPV'D				

PART NUMBER / DWG NO.:

LM003 MF

DESCRIPTION:

Play Centre JACOB

MATERIAL:

wood, metal, plastic

A4

WEIGHT:

SCALE: 1:15

SHEET 13 OF 15



Tiptap OÜ

Tiptap OÜ
Veetorni 9,
Jüri alevik, Rae vald,
75301 Harjumaa

A

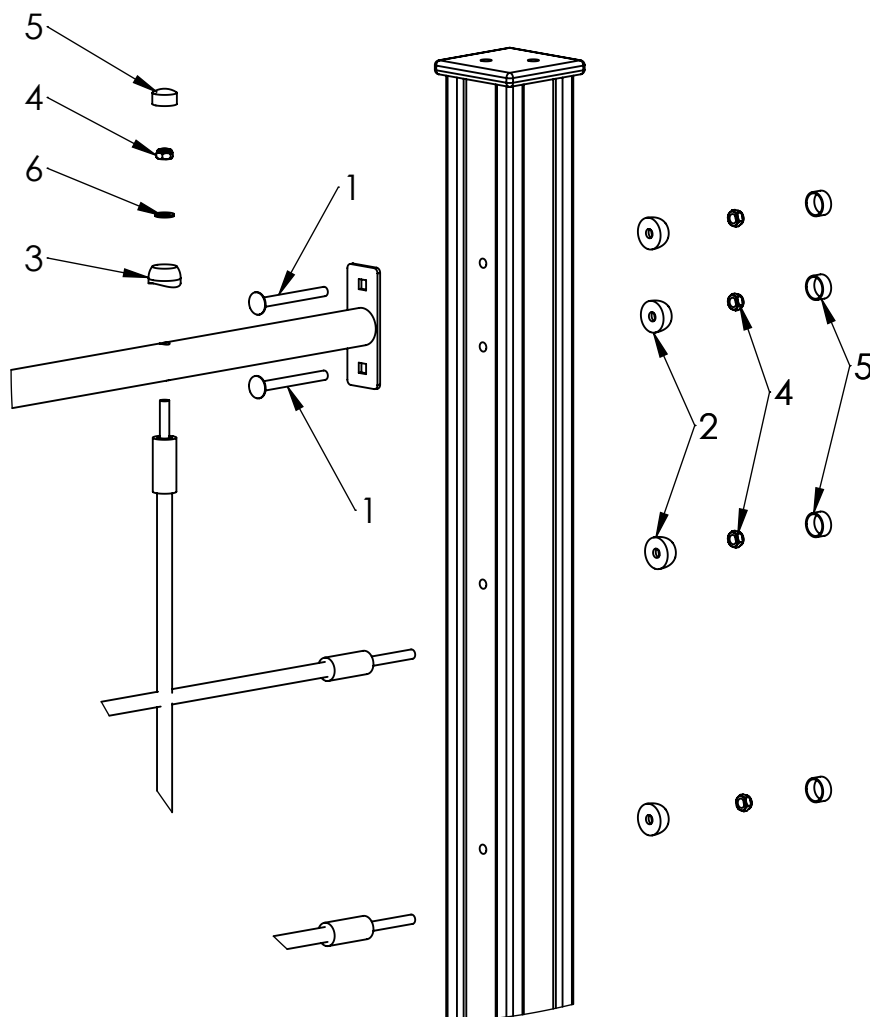
B

C

D

E

F



ITEM NO.	PART NUMBER
1	bolt DIN603 M10x100
2	nut cover M10
3	nut cover for beam M10
4	nut DIN985 M10
5	nut cover cap M10
6	washer M10

UNLESS OTHERWISE SPECIFIED:
DIMENSIONS ARE IN MILLIMETERS
WEIGHT ARE IN KILOGRAMM

	NAME	SIGNATURE	DATE	REVISION
DRAWN	R.Fedotov		16.07.2014	
APPV'D				

PART NUMBER / DWG NO.:

LM003 MF

DESCRIPTION:

Play Centre JACOB
connecting beam and climbing net to post

MATERIAL:

wood, metal, plastic

A4

WEIGHT:

SCALE: 1:8

SHEET 14 OF 15



Tiptap OÜ

Tiptap OÜ
Veetorni 9,
Jüri alevik, Rae vald,
75301 Harjumaa

A

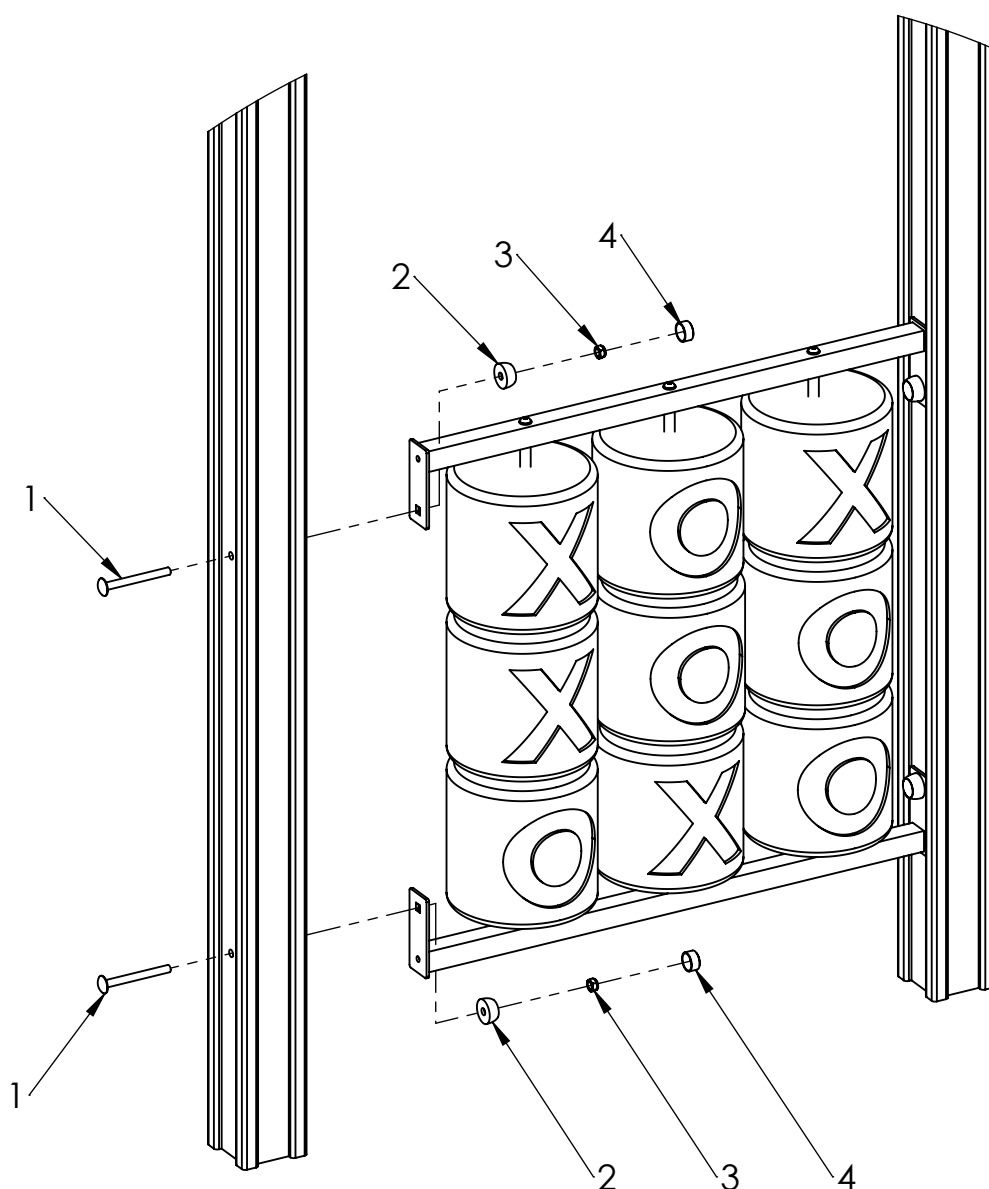
B

C

D

E

F



ITEM NO.	PART NUMBER
1	bolt DIN603 M10x100
2	nut cover M10
3	nut DIN985 M10
4	nut cover cap M10

UNLESS OTHERWISE SPECIFIED:
DIMENSIONS ARE IN MILLIMETERS
WEIGHT ARE IN KILOGRAMM

PART NUMBER / DWG NO.:

LM003 MF

	NAME	SIGNATURE	DATE	REVISION
DRAWN	R.Fedotov		16.07.2014	
APPV'D				

DESCRIPTION:

Play Centre JACOB
connecting oxo spinner to post

MATERIAL:

wood, metal, plastic

A4

WEIGHT:

SCALE: 1:10

SHEET 15 OF 15



Tiptaptap OÜ

Tiptaptap OÜ
Veetorni 9,
Jüri alevik, Rae vald,
75301 Harjumaa