

A

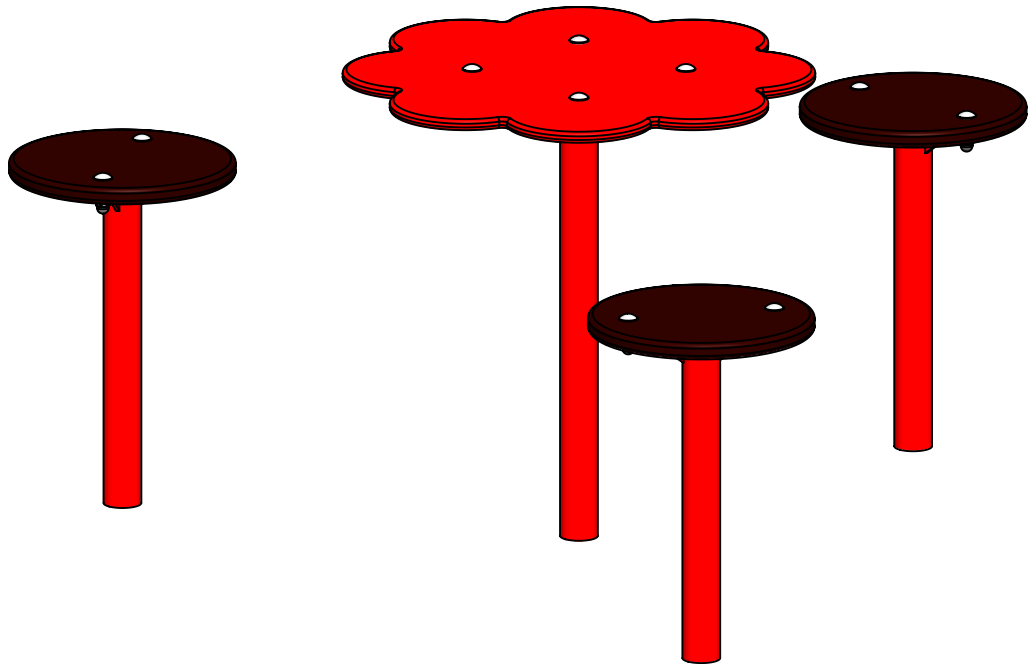
B

C

D

E

F



UNLESS OTHERWISE SPECIFIED:
 DIMENSIONS ARE IN MILLIMETERS
 WEIGHT ARE IN KILOGRAMM

PART NUMBER / DWG NO.:
LKLP01

	NAME	SIGNATURE	DATE	REVISION
DRAWN	M.Rebase		17.05.2012	
APPV'D				

DESCRIPTION:
Table and seats for sandboxes



Tiptiptap OÜ
 Veetorni 9,
 Jüri alevik, Rae vald,
 75301 Harjumaa

MATERIAL:	wood, metal, plastic	A4
WEIGHT:	SCALE: 1:8	SHEET 1 OF 5

safety area

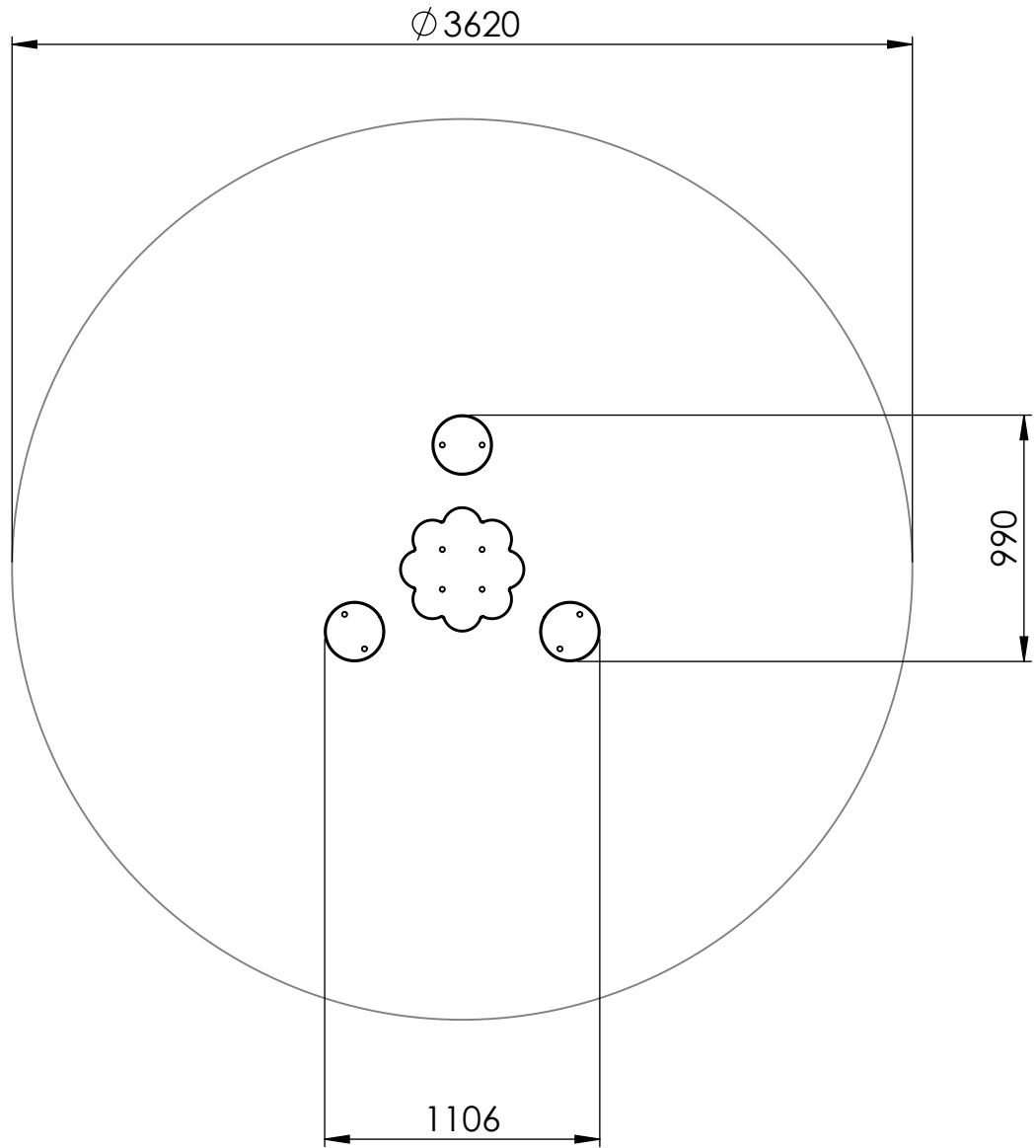
A

B

C

D

E



UNLESS OTHERWISE SPECIFIED: DIMENSIONS ARE IN MILLIMETERS WEIGHT ARE IN KILOGRAMM				
	NAME	SIGNATURE	DATE	REVISION
DRAWN	M.Rebase		17.05.2012	
APPV'D				

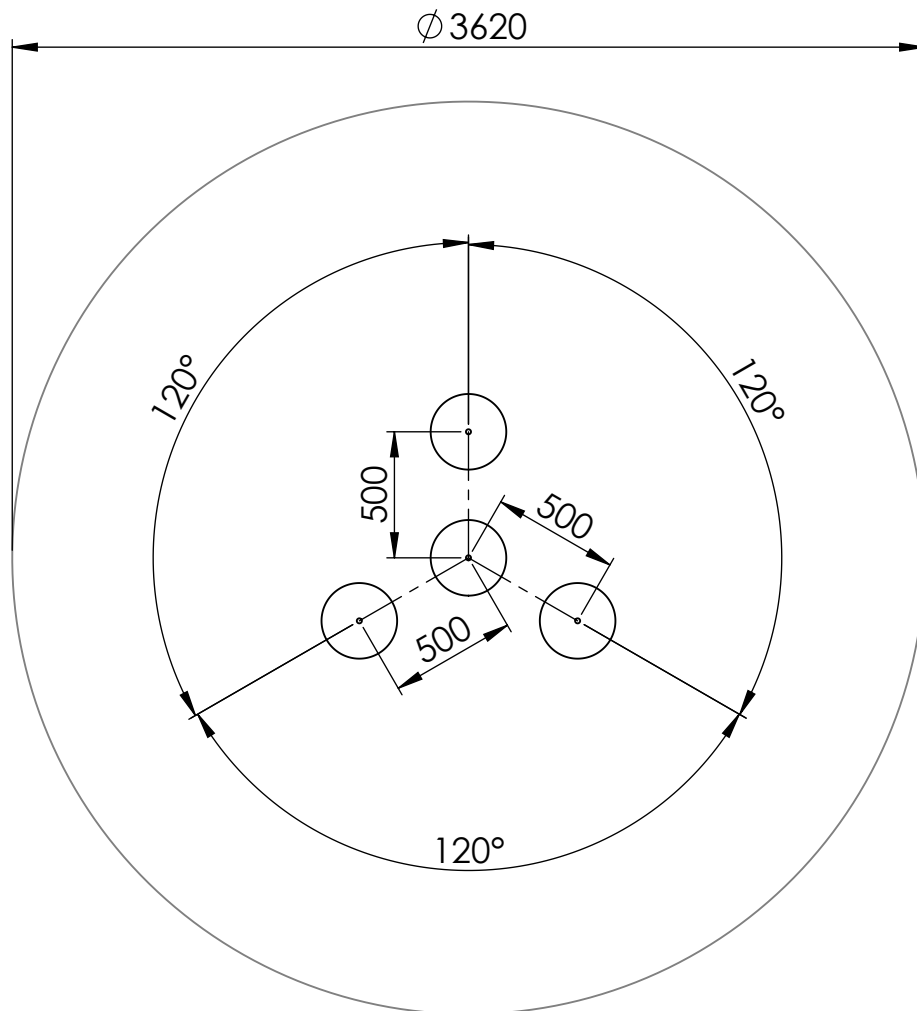
PART NUMBER / DWG NO.: **LKLP01**

DESCRIPTION:
Table and seats for sandboxes

 **Tiptaptap** OÜ
Veetorni 9,
Jüri alevik, Rae vald,
75301 Harjumaa

MATERIAL:	wood, metal, plastic	A4
WEIGHT:	SCALE: 1:30	SHEET 2 OF 5

foundation



UNLESS OTHERWISE SPECIFIED:
DIMENSIONS ARE IN MILLIMETERS
WEIGHT ARE IN KILOGRAMM

PART NUMBER / DWG NO.:

LKLP01

	NAME	SIGNATURE	DATE	REVISION
DRAWN	M.Rebase		17.05.2012	
APPV'D				

DESCRIPTION:

Table and seats for sandboxes



Tiptiptap OÜ

Tiptiptap OÜ
Veetorni 9,
Jüri alevik, Rae vald,
75301 Harjumaa

MATERIAL:

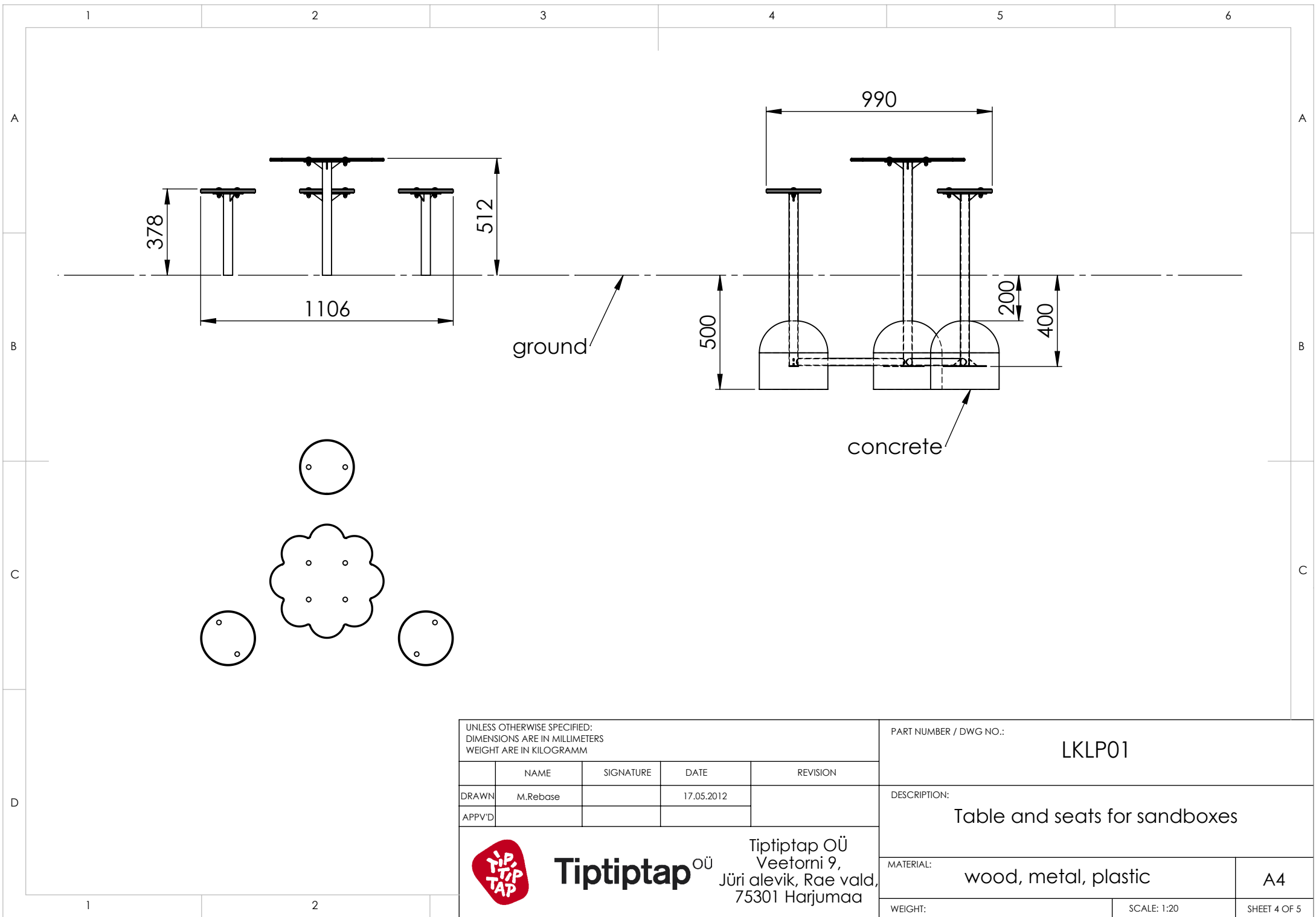
wood, metal, plastic

A4

WEIGHT:

SCALE: 1:30

SHEET 3 OF 5



UNLESS OTHERWISE SPECIFIED:
 DIMENSIONS ARE IN MILLIMETERS
 WEIGHT ARE IN KILOGRAMM

PART NUMBER / DWG NO.: **LKLP01**

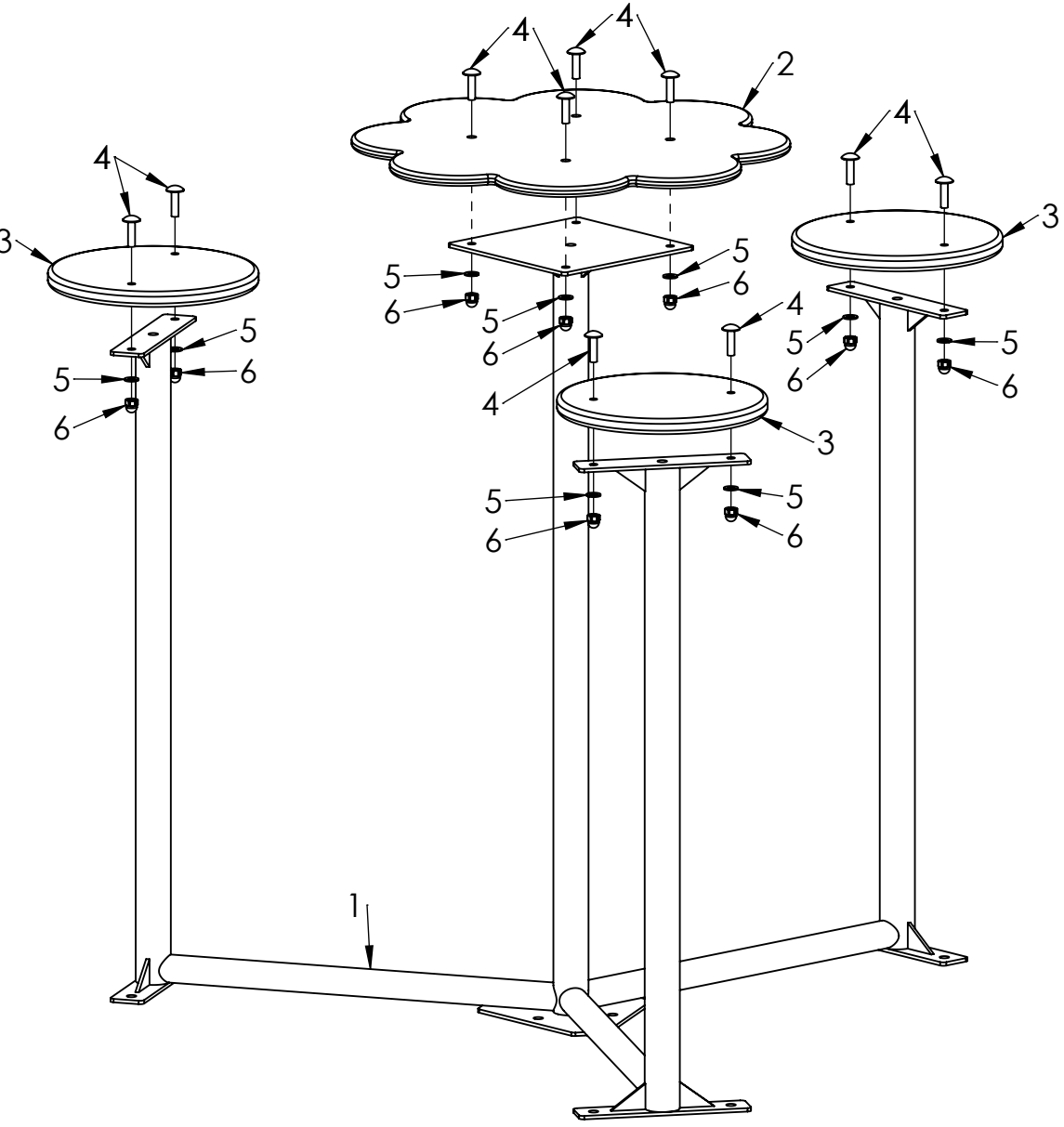
	NAME	SIGNATURE	DATE	REVISION
DRAWN	M.Rebase		17.05.2012	
APPV'D				

DESCRIPTION:
Table and seats for sandboxes



Tiptiptap OÜ
 Veetorni 9,
 Jüri alevik, Rae vald,
 75301 Harjumaa

MATERIAL:	wood, metal, plastic	A4
WEIGHT:		SCALE: 1:20
		SHEET 4 OF 5



ITEM NO.	PART NUMBER	DESCRIPTION	exploded/ QTY.
1	Liivakasti laud-pink raam	painted steel	1
2	table plate	plywood	1
3	seat plate	plywood	3
4	bolt DIN603 M8x30	galvanized steel	10
5	washer M8	galvanized steel	10
6	domed cap nut DIN1587 M8	galvanized steel	10

UNLESS OTHERWISE SPECIFIED: DIMENSIONS ARE IN MILLIMETERS WEIGHT ARE IN KILOGRAMM				
	NAME	SIGNATURE	DATE	REVISION
DRAWN	M.Rebase		17.05.2012	
APPV'D				

PART NUMBER / DWG NO.:		LKLP01	
DESCRIPTION:			
Table and seats for sandboxes			
MATERIAL:		wood, metal, plastic	A4
WEIGHT:		SCALE: 1:8	SHEET 5 OF 5


Tiptiptap OÜ
 Veetorni 9,
 Jüri alevik, Rae vald,
 75301 Harjumaa