

A

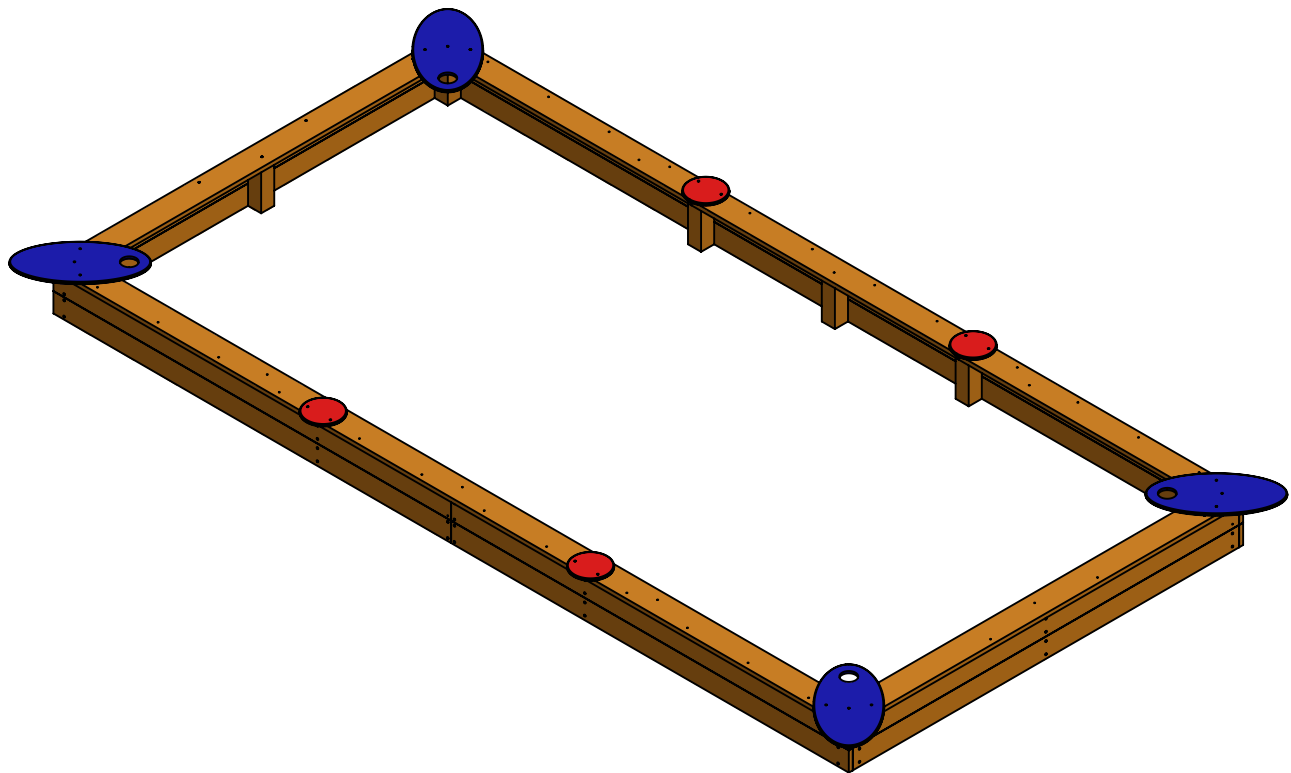
B

C

D

E

F



UNLESS OTHERWISE SPECIFIED:
 DIMENSIONS ARE IN MILLIMETERS
 WEIGHT ARE IN KILOGRAMM

PART NUMBER / DWG NO.:

LK63

	NAME	SIGNATURE	DATE	REVISION
DRAWN	R.Fedotov		29.06.2015	
APPV'D				

DESCRIPTION:

Sandbox 6000x3000



Tiptaptap OÜ

Tiptaptap OÜ
 Veetorni 9,
 Jüri alevik, Rae vald,
 75301 Harjumaa

MATERIAL:

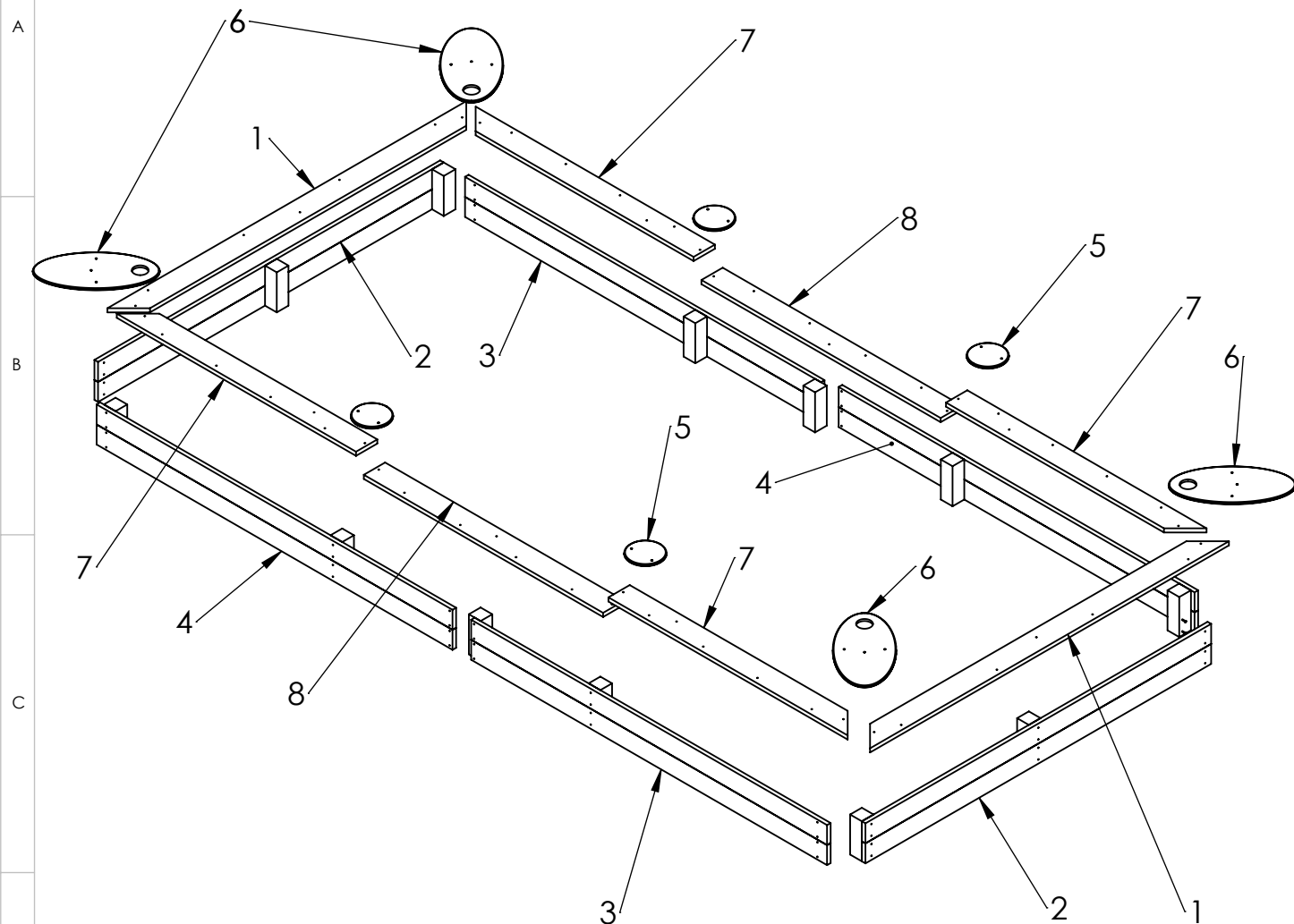
wood, plywood

A4

WEIGHT:

SCALE: 1:40

SHEET 1 OF 8



ITEM NO.	PART NUMBER	DESCRIPTION	Exploded/QTY.
1	Upper board 3000 A	Wood	2
2	Modul 1	Wood	2
3	Modul 2	Wood	2
4	Modul 3	Wood	2
5	seat circle	plywood	4
6	seat elips	plywood	4
7	Upper board 2000 B	Wood	4
8	Upper board 2000 C	Wood	2

UNLESS OTHERWISE SPECIFIED:
DIMENSIONS ARE IN MILLIMETERS
WEIGHT ARE IN KILOGRAMM

PART NUMBER / DWG NO.:

LK63

	NAME	SIGNATURE	DATE	REVISION
DRAWN	R.Fedotov		29.06.2015	
APPV'D				

DESCRIPTION:

Sandbox 6000x3000

MATERIAL:

wood, plywood

A4

WEIGHT:

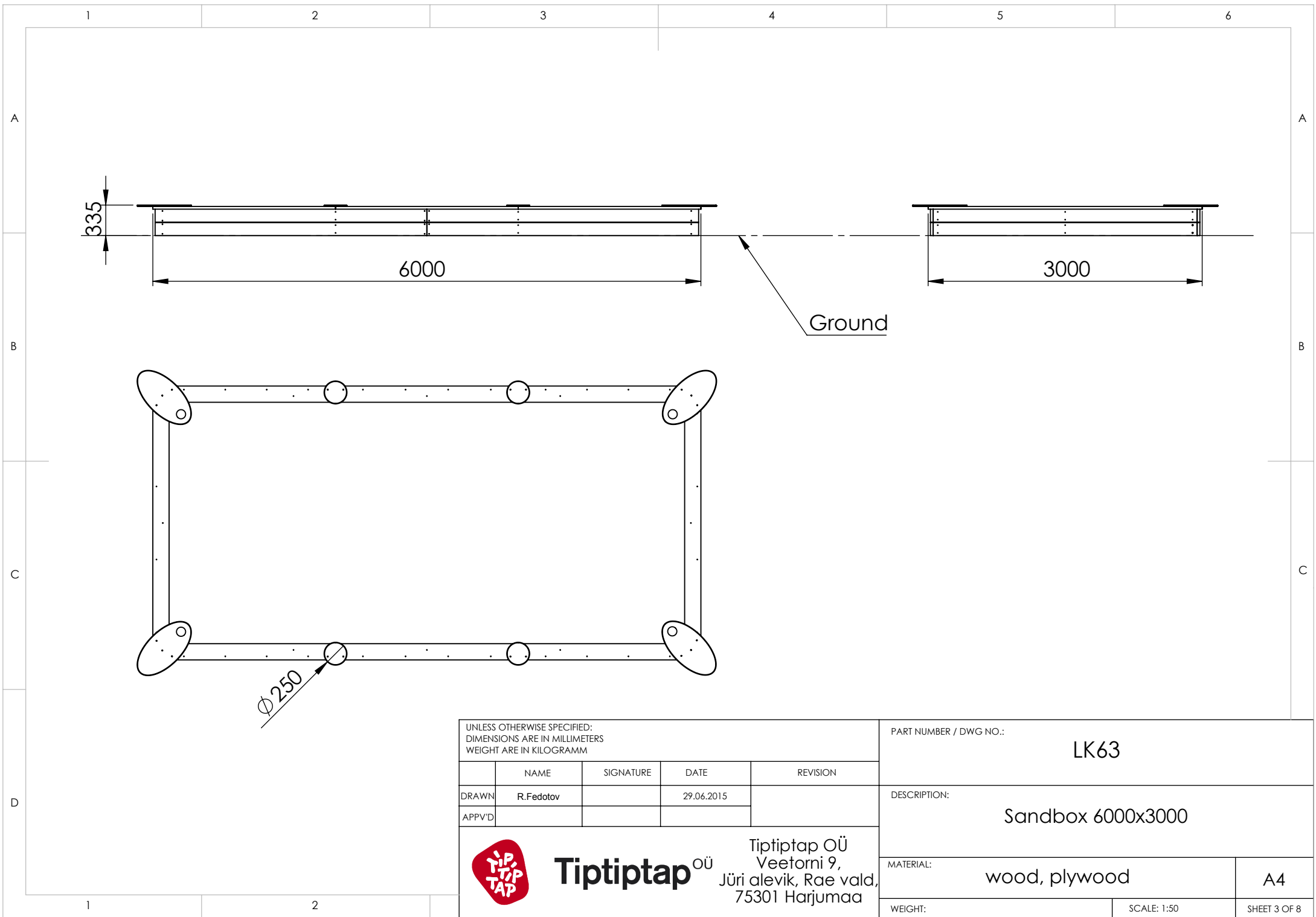
SCALE: 1:40

SHEET 2 OF 8



Tiptiptap OÜ

Tiptiptap OÜ
Veetorni 9,
Jüri alevik, Rae vald,
75301 Harjumaa



UNLESS OTHERWISE SPECIFIED:
 DIMENSIONS ARE IN MILLIMETERS
 WEIGHT ARE IN KILOGRAMM

PART NUMBER / DWG NO.:
LK63

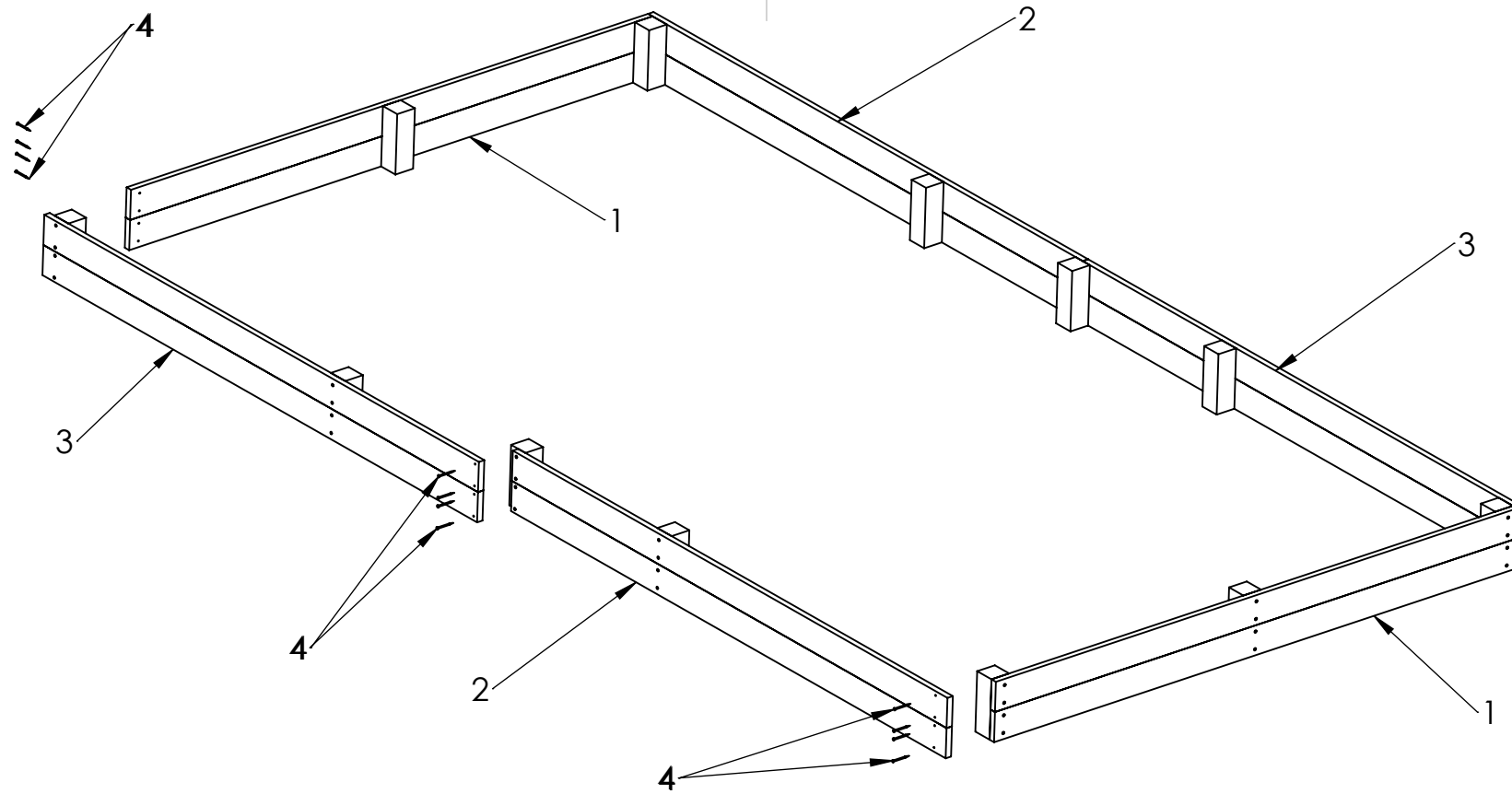
	NAME	SIGNATURE	DATE	REVISION
DRAWN	R.Fedotov		29.06.2015	
APPV'D				

DESCRIPTION:
Sandbox 6000x3000



Tiptiptap OÜ
 Veetorni 9,
 Jüri alevik, Rae vald,
 75301 Harjumaa

MATERIAL:	wood, plywood	A4
WEIGHT:		SCALE: 1:50
		SHEET 3 OF 8



ITEM NO.	PART NUMBER	DESCRIPTION	küljed/QTY.
1	Modul 1	Wood	2
2	Modul 2	Wood	2
3	Modul 3	Wood	2
4	Woodscrew 6 x 90	galvanized steel	24

UNLESS OTHERWISE SPECIFIED:
DIMENSIONS ARE IN MILLIMETERS
WEIGHT ARE IN KILOGRAMM

PART NUMBER / DWG NO.:

LK63

	NAME	SIGNATURE	DATE	REVISION
DRAWN	R.Fedotov		29.06.2015	
APPV'D				

DESCRIPTION:

Sandbox 6000x3000



Tiptap OÜ

Tiptap OÜ
Veetorni 9,
Jüri alevik, Rae vald,
75301 Harjumaa

MATERIAL:

wood, plywood

A4

WEIGHT:

SCALE: 1:30

SHEET 4 OF 8

A

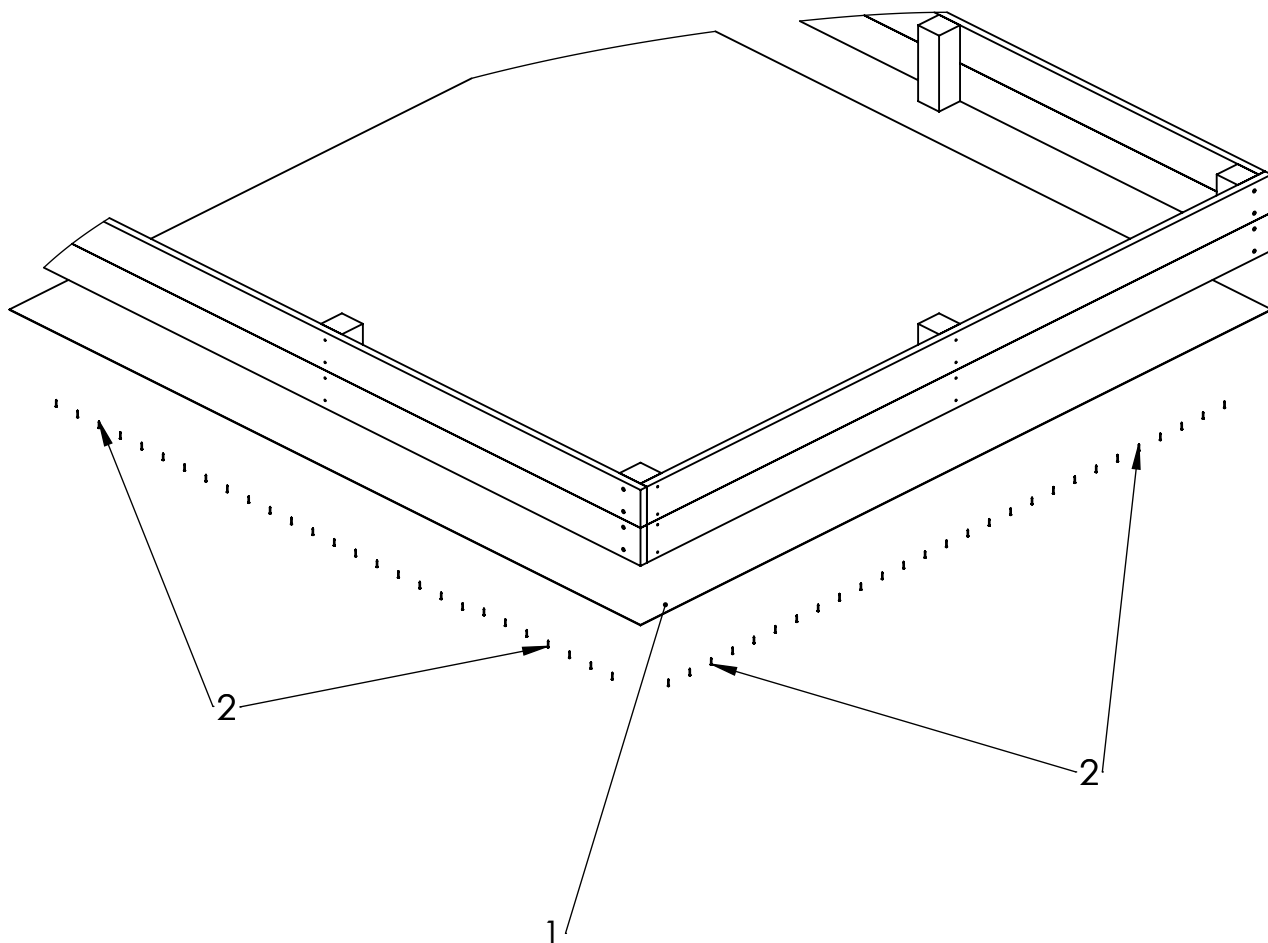
B

C

D

E

F



ITEM NO.	PART NUMBER	DESCRIPTION	Step 2/QTY.
1	geo textile		1
2	nail 2,5x20	galvanized steel	160

UNLESS OTHERWISE SPECIFIED:
DIMENSIONS ARE IN MILLIMETERS
WEIGHT ARE IN KILOGRAMM

PART NUMBER / DWG NO.:

LK63

	NAME	SIGNATURE	DATE	REVISION
DRAWN	R.Fedotov		29.06.2015	
APPV'D				

DESCRIPTION:

Sandbox 6000x3000

MATERIAL:

wood, plywood

A4

WEIGHT:

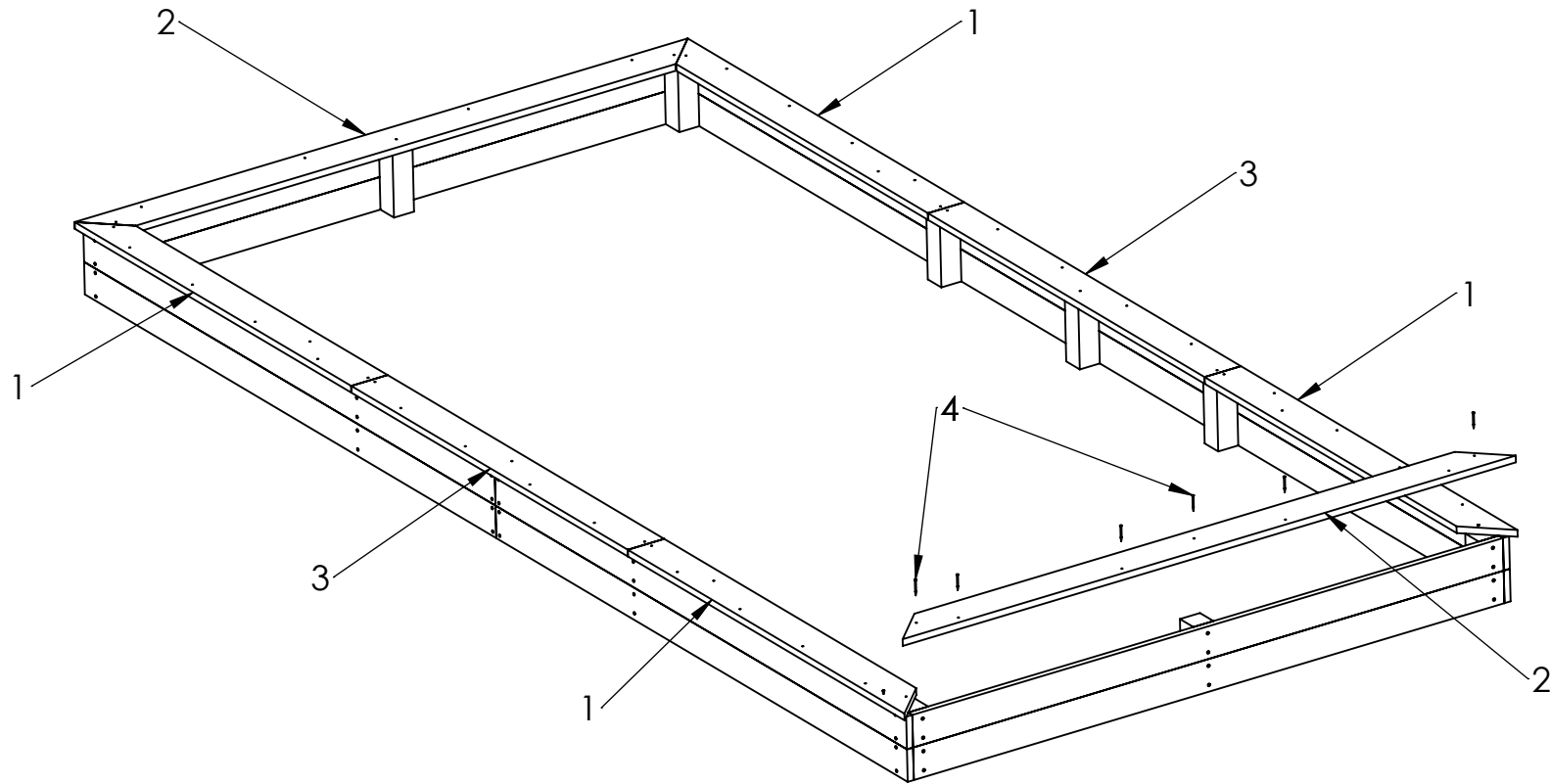
SCALE: 1:25

SHEET 5 OF 8



Tiptaptap OÜ

Tiptaptap OÜ
Veetorni 9,
Jüri alevik, Rae vald,
75301 Harjumaa



ITEM NO.	PART NUMBER	DESCRIPTION	Pealsed/QTY.
1	Upper board 2000 B	Wood	4
2	Upper board 3000 A	Wood	2
3	Upper board 2000 C	Wood	2
4	woodscrew 4,5 x 70	galvanized steel	56

UNLESS OTHERWISE SPECIFIED:
DIMENSIONS ARE IN MILLIMETERS
WEIGHT ARE IN KILOGRAMM

PART NUMBER / DWG NO.:

LK63

	NAME	SIGNATURE	DATE	REVISION
DRAWN	R.Fedotov		29.06.2015	
APPV'D				

DESCRIPTION:

Sandbox 6000x3000

MATERIAL:

wood, plywood

A4

WEIGHT:

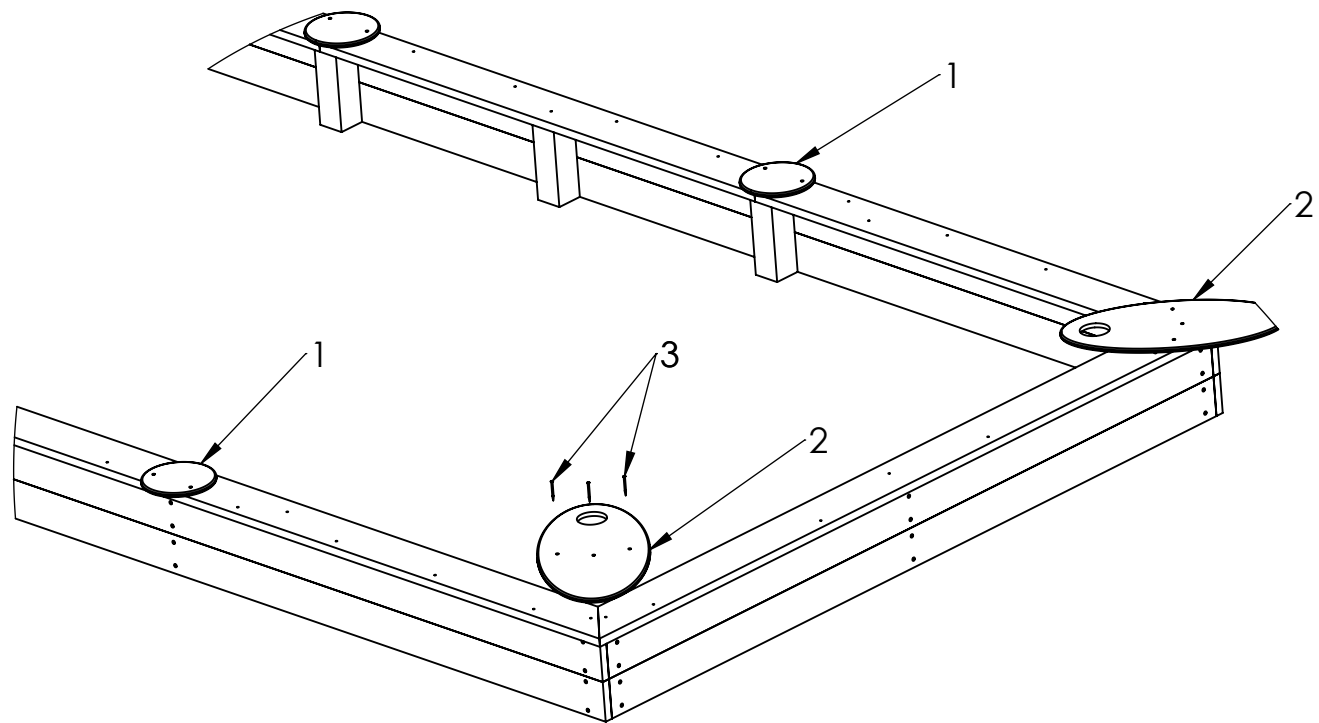
SCALE: 1:30

SHEET 6 OF 8



Tiptap OÜ

Tiptap OÜ
Veetorni 9,
Jüri alevik, Rae vald,
75301 Harjumaa



ITEM NO.	PART NUMBER	DESCRIPTION	Kettad/QTY.
1	seat circle	plywood	4
2	seat elips	plywood	4
3	woodscrew 4,5 x 70	galvanized steel	20

UNLESS OTHERWISE SPECIFIED:
DIMENSIONS ARE IN MILLIMETERS
WEIGHT ARE IN KILOGRAMM

PART NUMBER / DWG NO.:

LK63

	NAME	SIGNATURE	DATE	REVISION
DRAWN	R.Fedotov		29.06.2015	
APPV'D				

DESCRIPTION:

Sandbox 6000x3000



Tiptap OÜ

Tiptap OÜ
Veetorni 9,
Jüri alevik, Rae vald,
75301 Harjumaa

MATERIAL:

wood, plywood

A4

WEIGHT:

SCALE: 1:25

SHEET 7 OF 8

	1	2	3	4
	ITEM NO.	PART NUMBER	DESCRIPTION	Default/QTY.
A	1	Upper board 2000 B	Wood	4
	2	Upper board 3000 A	Wood	2
	3	Modul 1	Wood	2
B	4	Modul 2	Wood	2
	5	Modul 3	Wood	2
	6	seat circle	plywood	4
	7	seat elips	plywood	4
C	8	Upper board 2000 C	Wood	2
	9	Woodscrew 6 x 90	galvanized steel	24
	10	woodscrew 4,5 x 70	galvanized steel	76
	11	Geo textile		1
	12	nail 2,5x20	galvanized steel	160

D

E

UNLESS OTHERWISE SPECIFIED:
DIMENSIONS ARE IN MILLIMETERS
WEIGHT ARE IN KILOGRAMM

PART NUMBER / DWG NO.:

LK63

	NAME	SIGNATURE	DATE	REVISION
DRAWN	R.Fedotov		29.06.2015	
APPV'D				

DESCRIPTION:

Sandbox 6000x3000

F



Tiptaptap OÜ

Tiptaptap OÜ
Veetorni 9,
Jüri alevik, Rae vald,
75301 Harjumaa

MATERIAL:

wood, plywood

A4

WEIGHT:

SCALE: 1:25

SHEET 8 OF 8