

UNLESS OTHERWISE SPECIFIED:  
DIMENSIONS ARE IN MILLIMETERS  
WEIGHT ARE IN KILOGRAMM

PART NUMBER / DWG NO.:

LK32

	NAME	SIGNATURE	DATE	REVISION
DRAWN	R.Fedotov		11.03.2015	
APPV'D				

DESCRIPTION:

Sandbox triangle



**Tiptaptap** OÜ

Tiptaptap OÜ  
Veetorni 9,  
Jüri alevik, Rae vald,  
75301 Harjumaa

MATERIAL:

wood, metal, plastic

A4

WEIGHT:

SCALE: 1:20

SHEET 1 OF 7

## Detailid

A

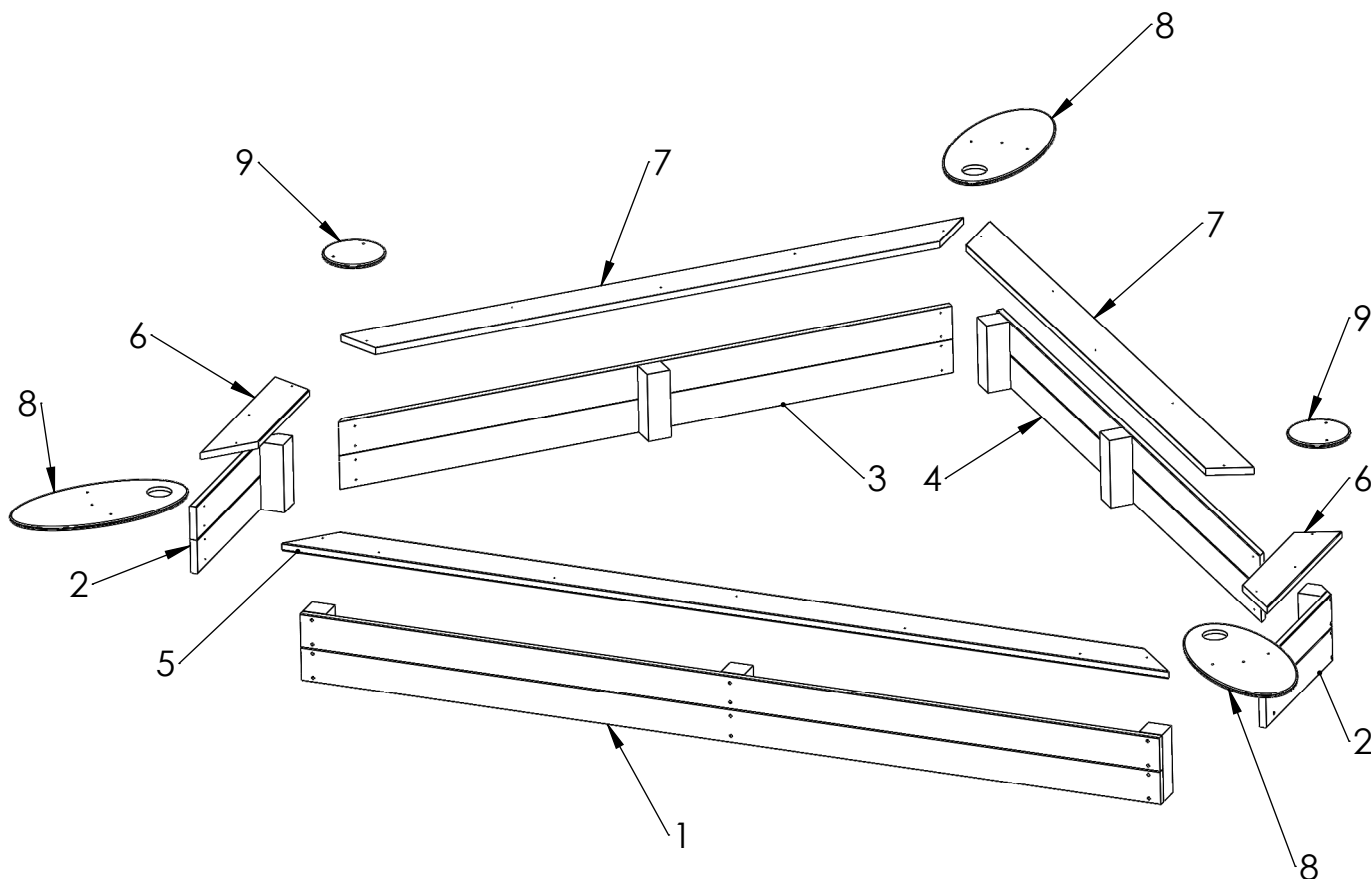
B

C

D

E

F



ITEM NO.	PART NUMBER	explode/QTY.
1	modul 1	1
2	modul 2	2
3	modul 3	1
4	modul 4	1
5	Upper board	1
6	Upper board	2
7	Upper board	2
8	seat elips	3
9	seat circle	2

UNLESS OTHERWISE SPECIFIED:  
DIMENSIONS ARE IN MILLIMETERS  
WEIGHT ARE IN KILOGRAMM

PART NUMBER / DWG NO.:

LK32

	NAME	SIGNATURE	DATE	REVISION
DRAWN	R.Fedotov		11.03.2015	
APPV'D				

DESCRIPTION:

Sandbox triangle

MATERIAL:

wood, metal, plastic

A4

WEIGHT:

SCALE: 1:30

SHEET 2 OF 7



**Tiptaptap** OÜ

Tiptaptap OÜ  
Veetorni 9,  
Jüri alevik, Rae vald,  
75301 Harjumaa

# Step 1

A

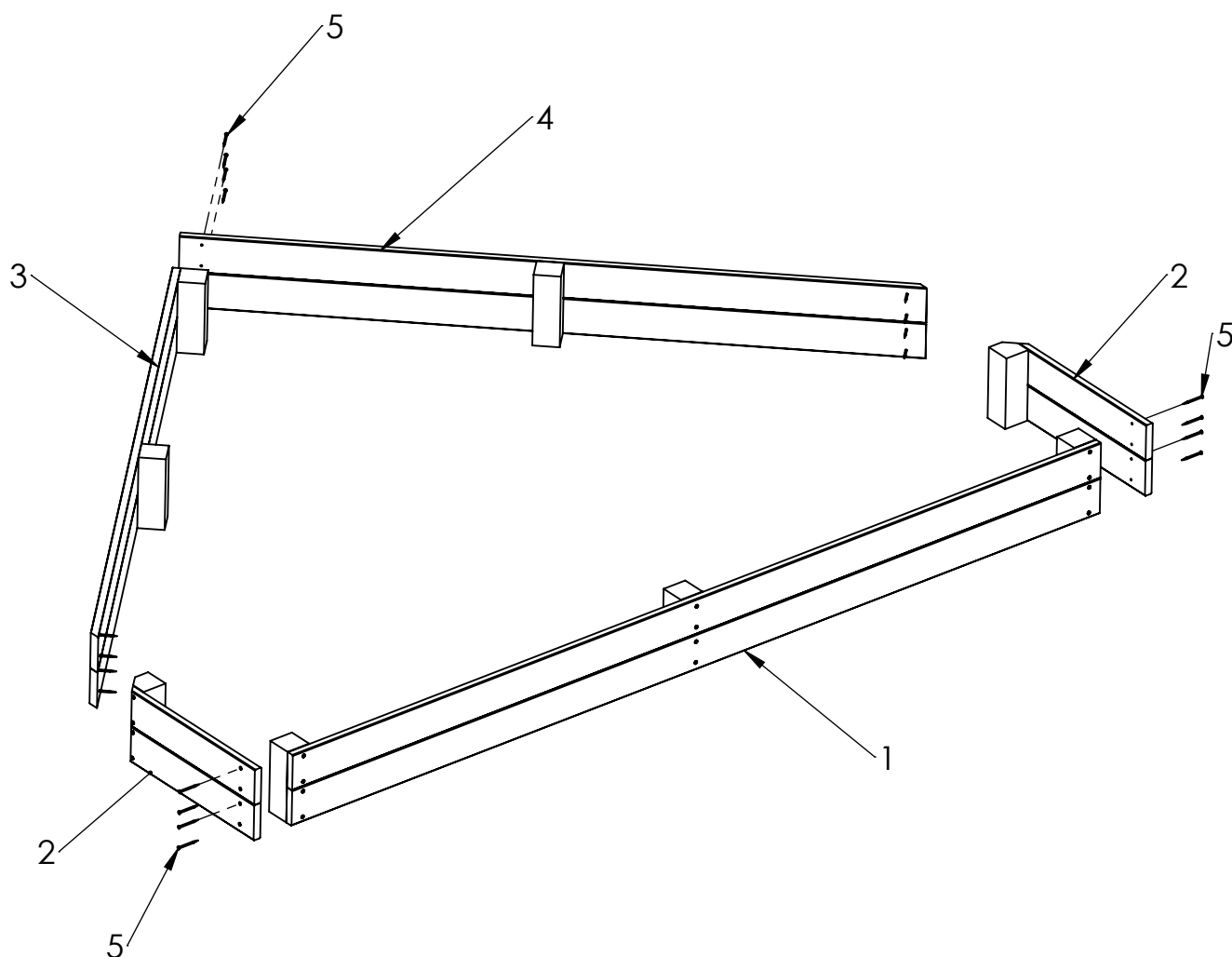
B

C

D

E

F



ITEM NO.	PART NUMBER
1	modul 1
2	modul 2
3	modul 3
4	modul 4
5	Woodscrew 6x90

UNLESS OTHERWISE SPECIFIED: DIMENSIONS ARE IN MILLIMETERS WEIGHT ARE IN KILOGRAMM				
	NAME	SIGNATURE	DATE	REVISION
DRAWN	R.Fedotov		11.03.2015	
APPV'D				

PART NUMBER / DWG NO.:	LK32
DESCRIPTION:	Sandbox triangle



**Tiptaptap** OÜ  
 Veetorni 9,  
 Jüri alevik, Rae vald,  
 75301 Harjumaa

MATERIAL:	wood, metal, plastic	A4
WEIGHT:	SCALE: 1:25	SHEET 3 OF 7

## Step 2

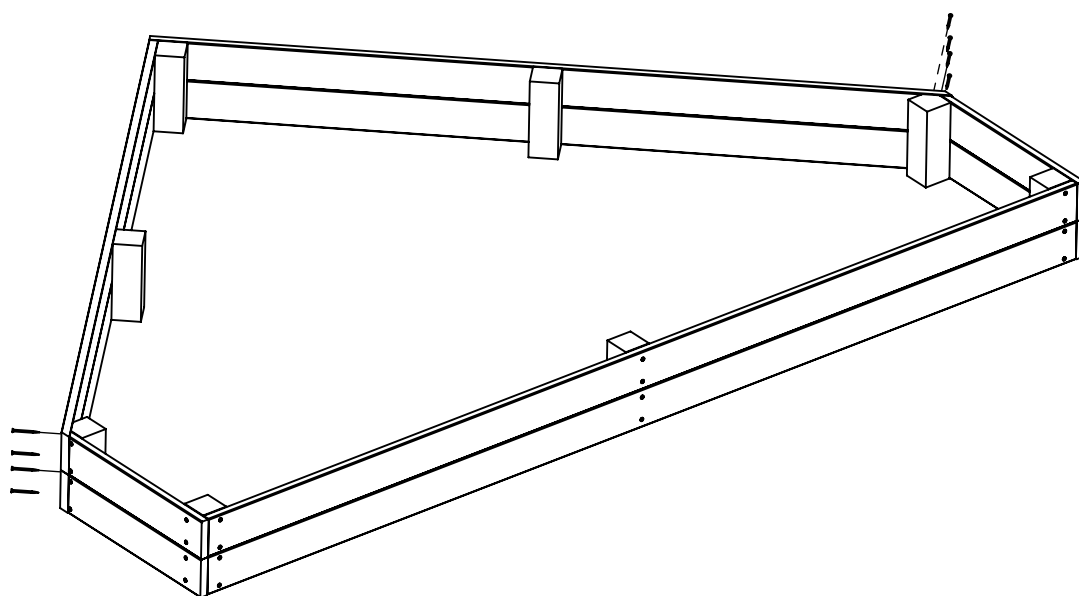
A

B

C

D

E



UNLESS OTHERWISE SPECIFIED:  
DIMENSIONS ARE IN MILLIMETERS  
WEIGHT ARE IN KILOGRAMM

PART NUMBER / DWG NO.:

LK32

	NAME	SIGNATURE	DATE	REVISION
DRAWN	R.Fedotov		11.03.2015	
APPV'D				

DESCRIPTION:

Sandbox triangle

F



**Tiptiptap** OÜ

Tiptiptap OÜ  
Veetorni 9,  
Jüri alevik, Rae vald,  
75301 Harjumaa

MATERIAL:

wood, metal, plastic

A4

WEIGHT:

SCALE: 1:25

SHEET 4 OF 7

## Step 3

A

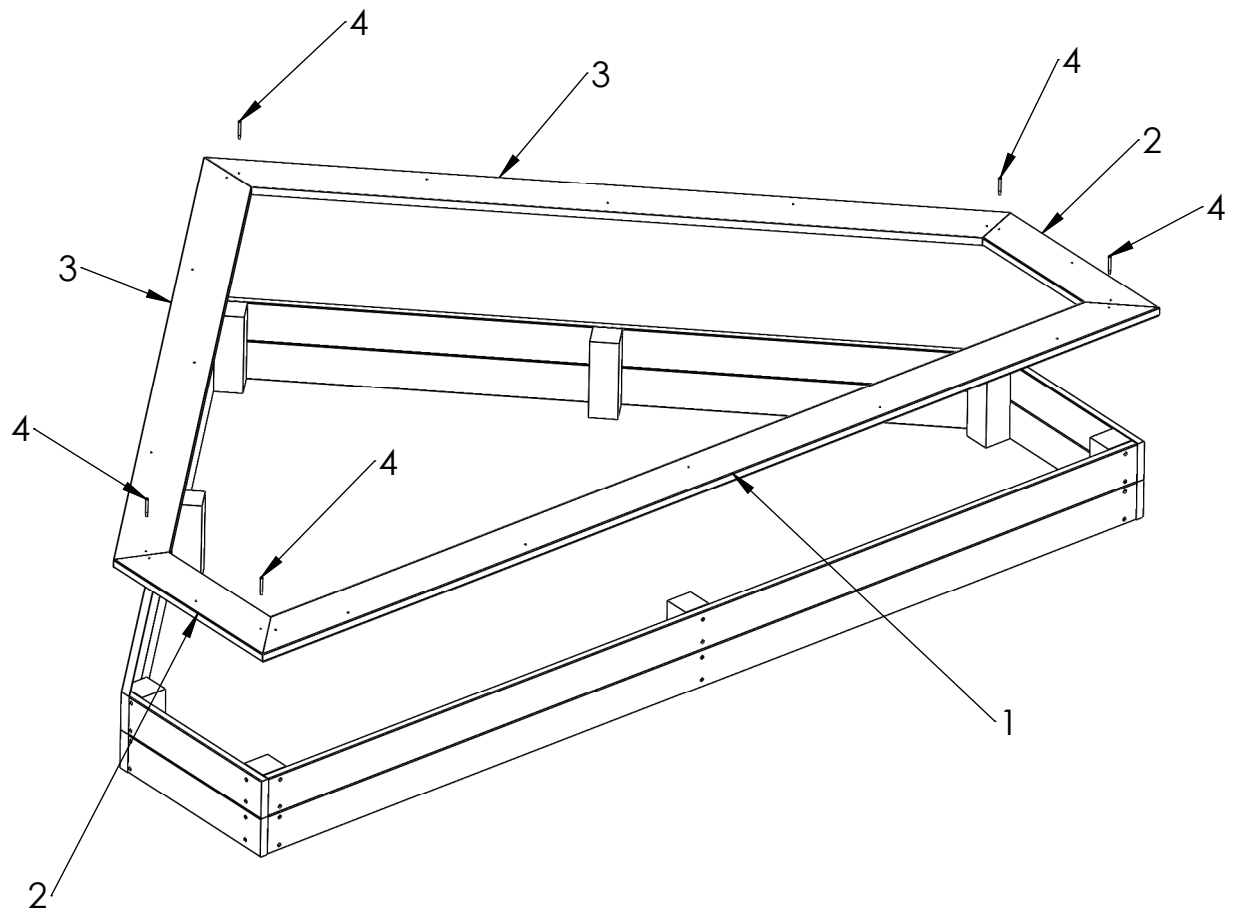
B

C

D

E

F



ITEM NO.	PART NUMBER
1	Upper board
2	Upper board
3	Upper board
4	woodscrew 4,5 x 70

UNLESS OTHERWISE SPECIFIED:  
DIMENSIONS ARE IN MILLIMETERS  
WEIGHT ARE IN KILOGRAMM

PART NUMBER / DWG NO.:

LK32

	NAME	SIGNATURE	DATE	REVISION
DRAWN	R.Fedotov		11.03.2015	
APPV'D				

DESCRIPTION:

Sandbox triangle

MATERIAL:

wood, metal, plastic

A4

WEIGHT:

SCALE: 1:25

SHEET 5 OF 7



**Tiptaptap** OÜ

Tiptaptap OÜ  
Veetorni 9,  
Jüri alevik, Rae vald,  
75301 Harjumaa

# Step 4

A

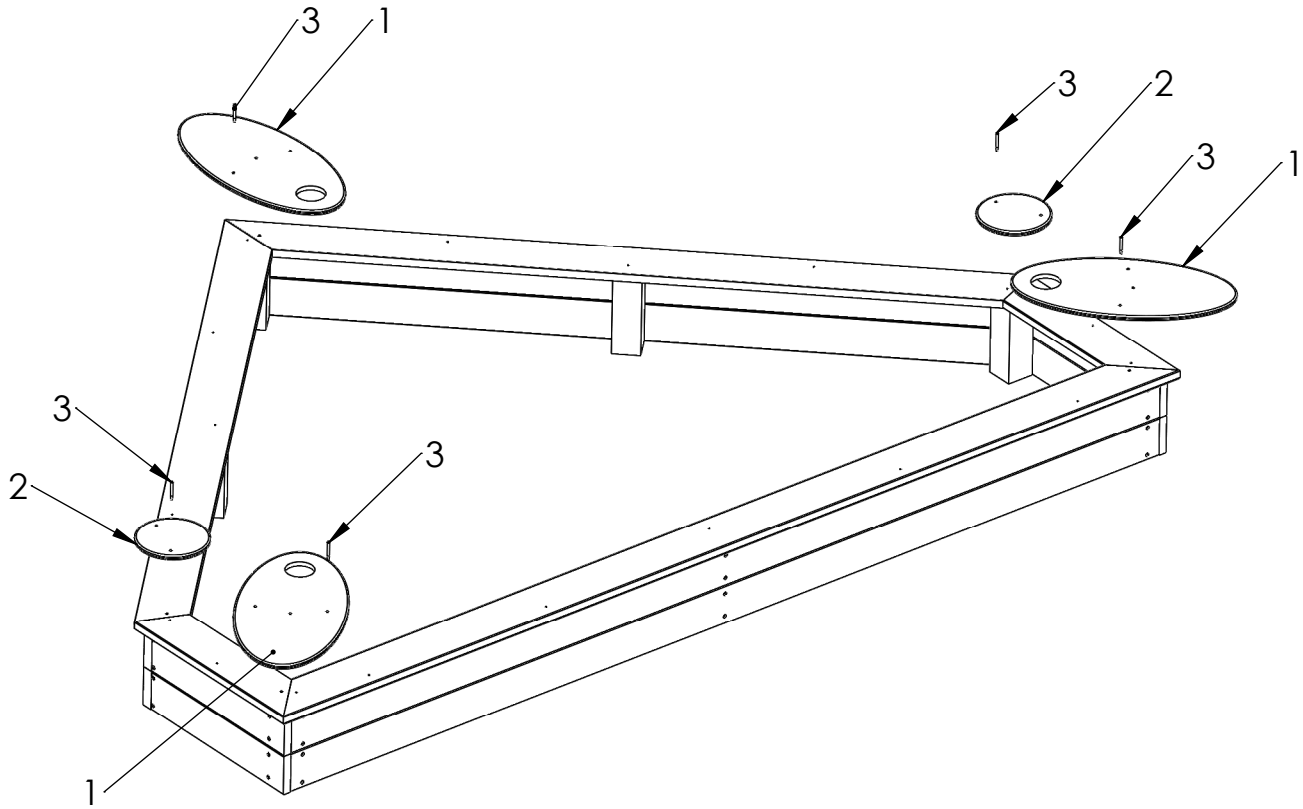
B

C

D

E

F



ITEM NO.	PART NUMBER
1	seat elips
2	seat circle
3	woodscrew 4,5 x 70

UNLESS OTHERWISE SPECIFIED: DIMENSIONS ARE IN MILLIMETERS WEIGHT ARE IN KILOGRAMM				
	NAME	SIGNATURE	DATE	REVISION
DRAWN	R.Fedotov		11.03.2015	
APPV'D				

PART NUMBER / DWG NO.:	LK32
DESCRIPTION:	Sandbox triangle



**Tiptiptap** OÜ  
Veetorni 9,  
Jüri alevik, Rae vald,  
75301 Harjumaa

MATERIAL:	wood, metal, plastic	A4
WEIGHT:	SCALE: 1:25	SHEET 6 OF 7

# Step 5

A

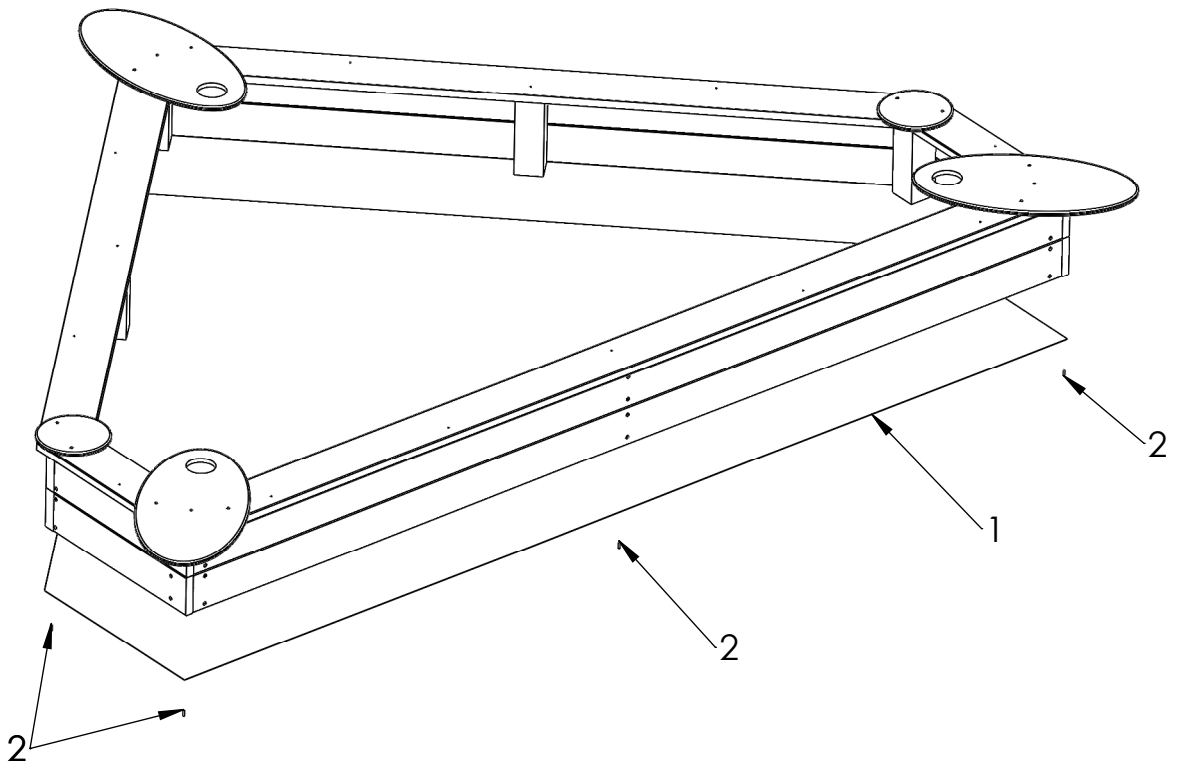
B

C

D

E

F



ITEM NO.	PART NUMBER
1	Geotextstile
2	nail 2,5x20

UNLESS OTHERWISE SPECIFIED: DIMENSIONS ARE IN MILLIMETERS WEIGHT ARE IN KILOGRAMM				
	NAME	SIGNATURE	DATE	REVISION
DRAWN	R.Fedotov		11.03.2015	
APPV'D				

PART NUMBER / DWG NO.:		LK32
DESCRIPTION:		
Sandbox triangle		



**Tiptaptap** OÜ

Tiptaptap OÜ  
Veetorni 9,  
Jüri alevik, Rae vald,  
75301 Harjumaa

MATERIAL:	wood, metal, plastic	A4
WEIGHT:	SCALE: 1:25	SHEET 7 OF 7