

A

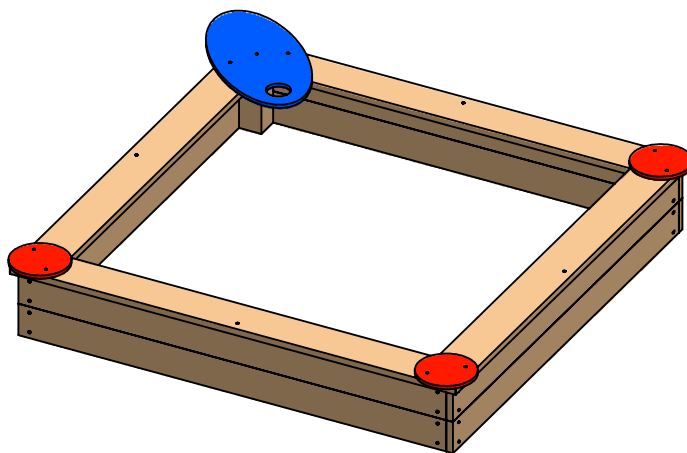
B

C

D

E

F



UNLESS OTHERWISE SPECIFIED:  
 DIMENSIONS ARE IN MILLIMETERS  
 WEIGHT ARE IN KILOGRAMM

PART NUMBER / DWG NO.:

LK20

	NAME	SIGNATURE	DATE	REVISION
DRAWN			11.04.2012	
APPV'D				

DESCRIPTION:

Sandbox - 2000x2000



**Tiptiptap** OÜ

Tiptiptap OÜ  
 Veetorni 9,  
 Jüri alevik, Rae vald,  
 75301 Harjumaa

MATERIAL:

wood, plywood

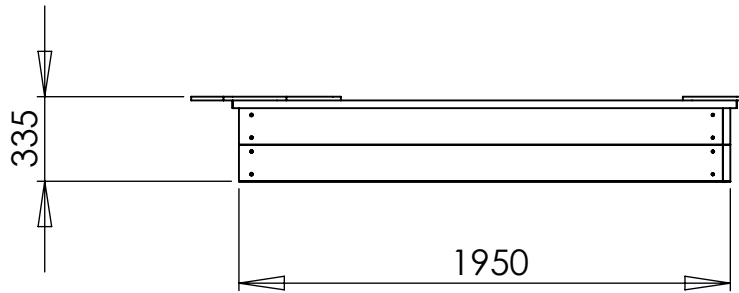
A4

WEIGHT:

SCALE: 1:30

SHEET 1 OF 5

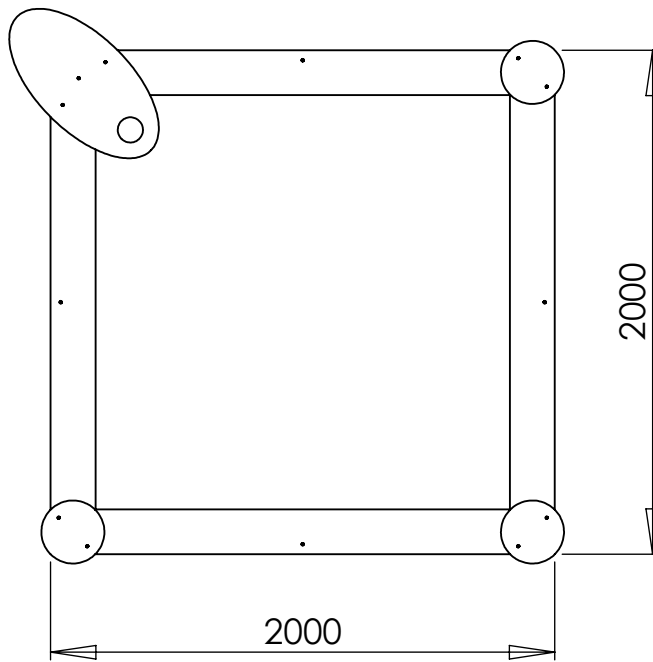
A



B

C

D



E

UNLESS OTHERWISE SPECIFIED:  
 DIMENSIONS ARE IN MILLIMETERS  
 WEIGHT ARE IN KILOGRAMM

PART NUMBER / DWG NO.:  
**LK20**

	NAME	SIGNATURE	DATE	REVISION
DRAWN			11.04.2012	
APPV'D				

DESCRIPTION:  
**Sandbox - 2000x2000**

F



**Tiptaptap** OÜ  
 Veetorni 9,  
 Jüri alevik, Rae vald,  
 75301 Harjumaa

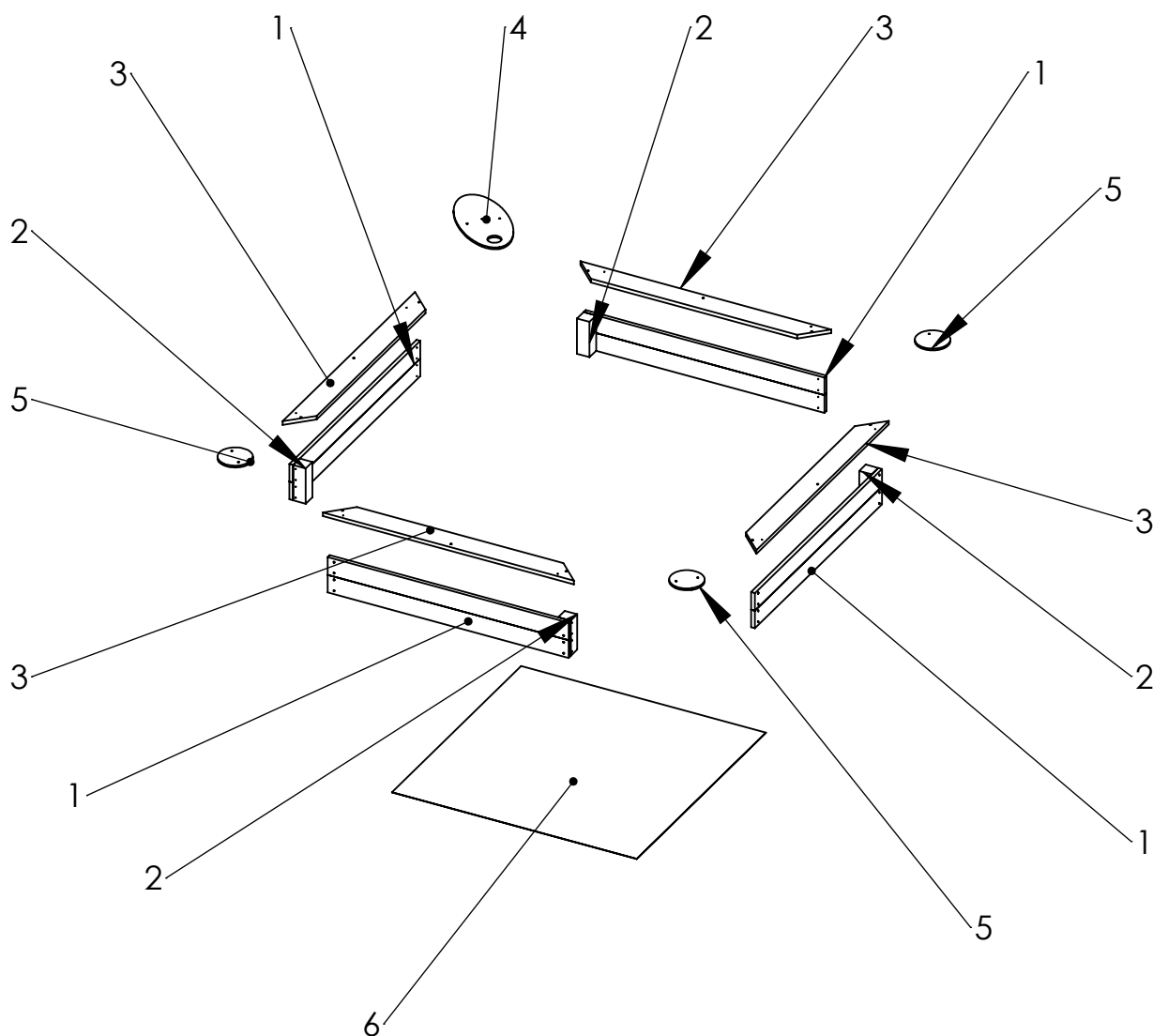
MATERIAL:	wood, plywood	A4
WEIGHT:	SCALE: 1:30	SHEET 2 OF 5

A

B

C

D



ITEM NO.	PART NUMBER	DESCRIPTION	QTY.
1	board 30x145x1920	wood	8
2	post 100x100x290	wood	4
3	upper board 30x178x2000	wood	4
4	seat elips	plywood	1
5	seat circle	plywood	3
6	geo textile		1
7	woodscrew 4,5 x 70	galvanized steel	21
8	nail 2,5x20	galvanized steel	76
9	Woodscrew 6 x 90	galvanized steel	16

UNLESS OTHERWISE SPECIFIED:  
DIMENSIONS ARE IN MILLIMETERS  
WEIGHT ARE IN KILOGRAMM

PART NUMBER / DWG NO.:

LK20

	NAME	SIGNATURE	DATE	REVISION
DRAWN			11.04.2012	
APPV'D				

DESCRIPTION:

Sandbox - 2000x2000

MATERIAL:

wood, plywood

A4

WEIGHT:

SCALE: 1:30

SHEET 3 OF 5



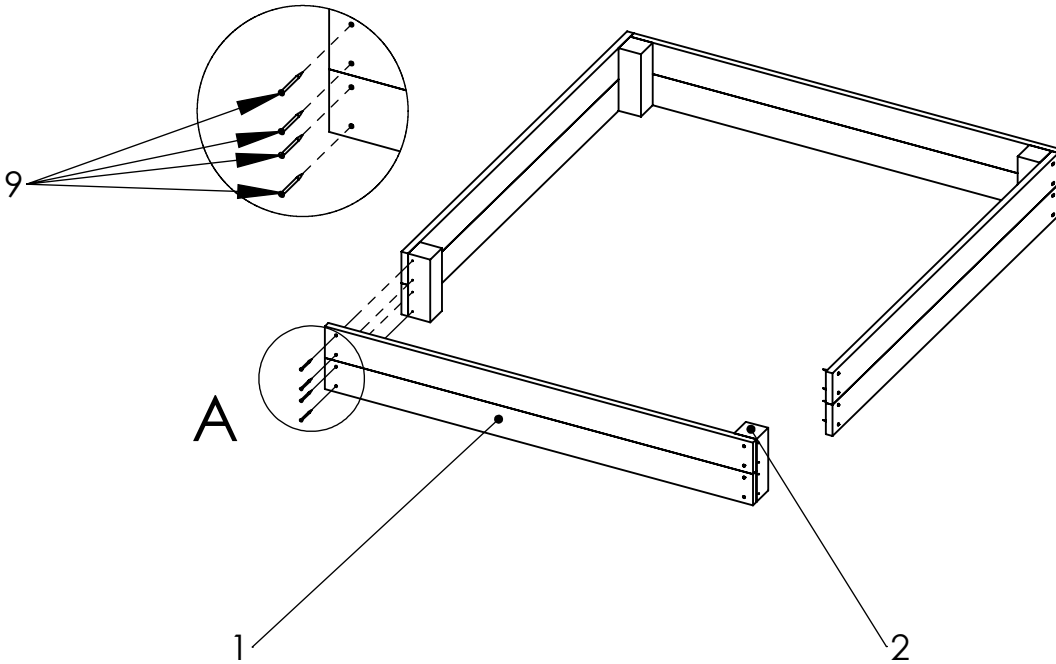
**Tiptiptap** OÜ

Tiptiptap OÜ  
Veetorni 9,  
Jüri alevik, Rae vald,  
75301 Harjumaa

# Assembly instruction

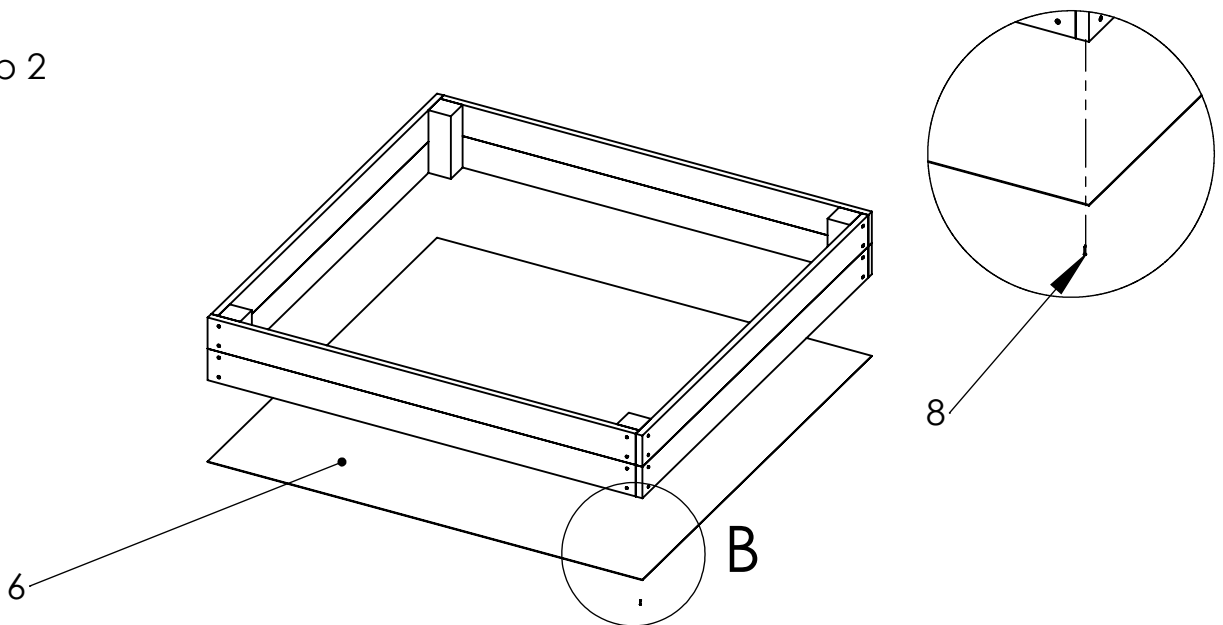
step 1

DETAIL A  
SCALE 1 : 15



step 2

DETAIL B  
SCALE 1 : 15



UNLESS OTHERWISE SPECIFIED:  
DIMENSIONS ARE IN MILLIMETERS  
WEIGHT ARE IN KILOGRAMM

PART NUMBER / DWG NO.:

LK20

	NAME	SIGNATURE	DATE	REVISION
DRAWN			11.04.2012	
APPV'D				

DESCRIPTION:

Sandbox - 2000x2000



**Tiptaptap** OÜ

Tiptaptap OÜ  
Veetorni 9,  
Jüri alevik, Rae vald,  
75301 Harjumaa

MATERIAL:

wood, plywood

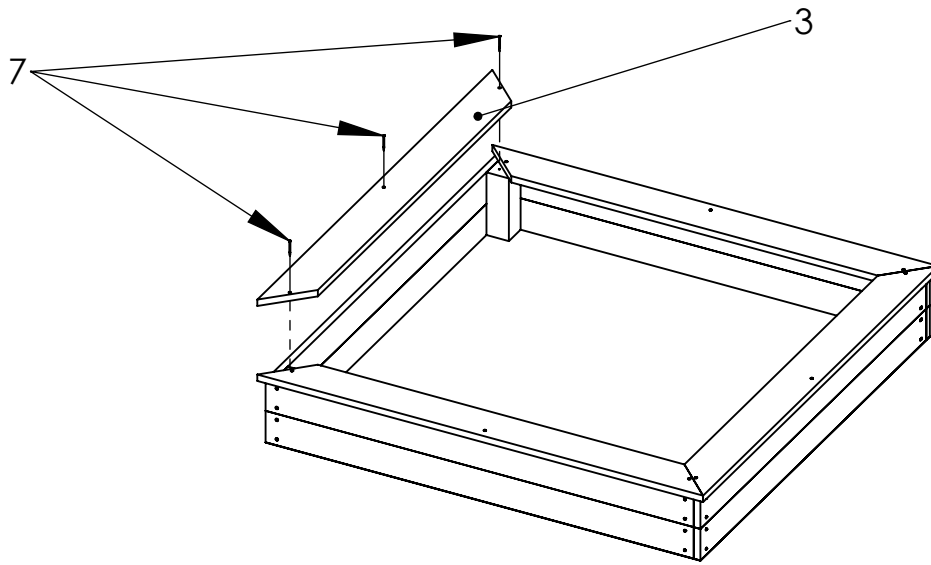
A4

WEIGHT:

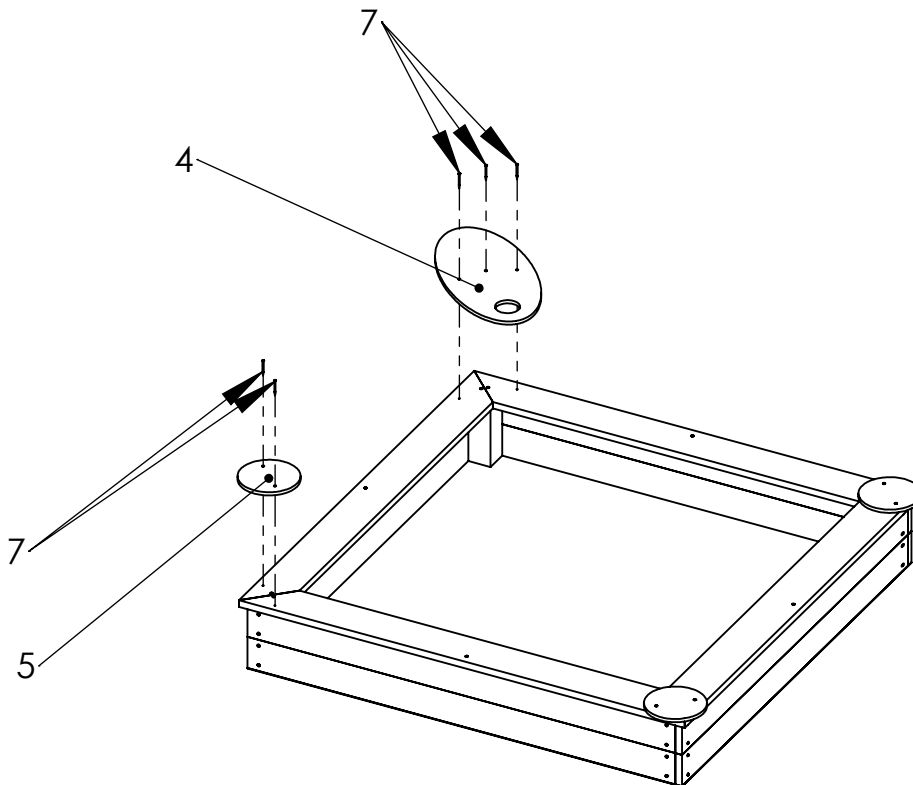
SCALE: 1:30

SHEET 4 OF 5

step 3



step 4



UNLESS OTHERWISE SPECIFIED:  
DIMENSIONS ARE IN MILLIMETERS  
WEIGHT ARE IN KILOGRAMM

PART NUMBER / DWG NO.:

LK20

	NAME	SIGNATURE	DATE	REVISION
DRAWN			11.04.2012	
APPV'D				

DESCRIPTION:

Sandbox - 2000x2000



**Tiptaptap** OÜ

Tiptaptap OÜ  
Veetorni 9,  
Jüri alevik, Rae vald,  
75301 Harjumaa

MATERIAL:

wood, plywood

A4

WEIGHT:

SCALE: 1:30

SHEET 5 OF 5