

A

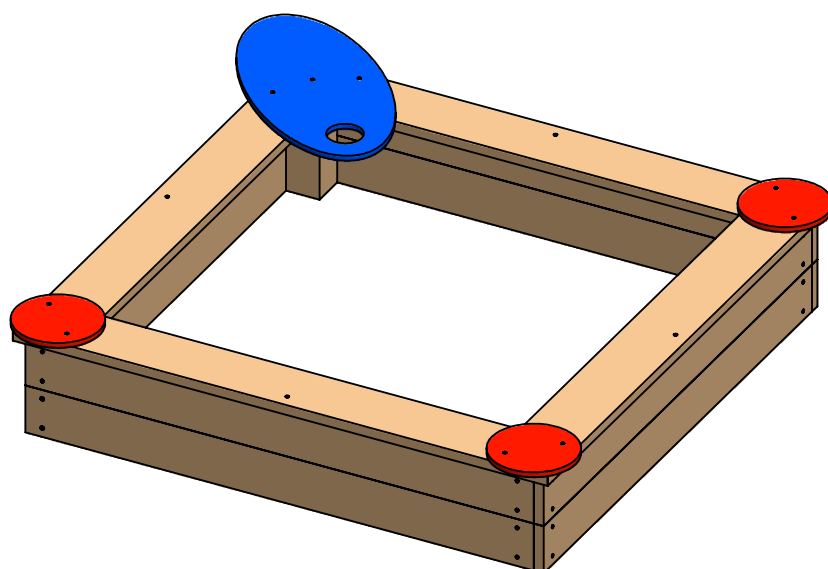
B

C

D

E

F



UNLESS OTHERWISE SPECIFIED:  
DIMENSIONS ARE IN MILLIMETERS  
WEIGHT ARE IN KILOGRAMM

PART NUMBER / DWG NO.:

LK16

	NAME	SIGNATURE	DATE	REVISION
DRAWN			11.04.2012	
APPV'D				

DESCRIPTION:

Sandbox - 1600x1600



**Tiptaptap** OÜ

Tiptaptap OÜ  
Veetorni 9,  
Jüri alevik, Rae vald,  
75301 Harjumaa

MATERIAL:

wood, plywood

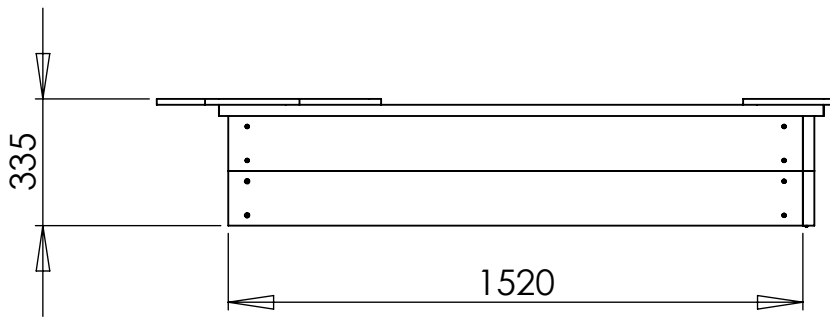
A4

WEIGHT:

SCALE: 1:50

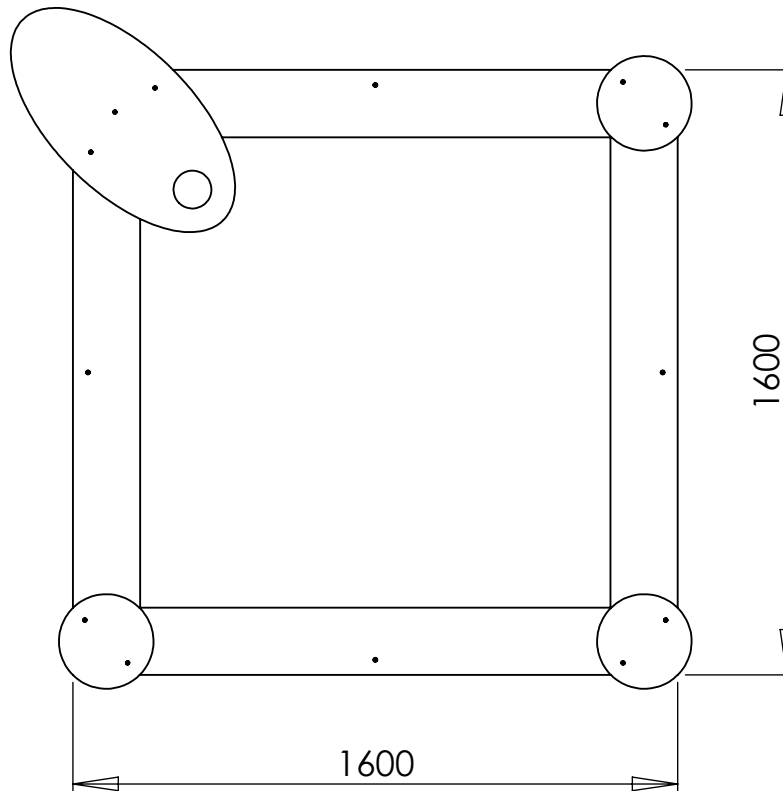
SHEET 1 OF 5

A



B

C



D

E

UNLESS OTHERWISE SPECIFIED:  
 DIMENSIONS ARE IN MILLIMETERS  
 WEIGHT ARE IN KILOGRAMM

PART NUMBER / DWG NO.:

LK16

	NAME	SIGNATURE	DATE	REVISION
DRAWN			11.04.2012	
APPV'D				

DESCRIPTION:

Sandbox - 1600x1600

F



**Tiptaptap** OÜ

Tiptaptap OÜ  
 Veetorni 9,  
 Jüri alevik, Rae vald,  
 75301 Harjumaa

MATERIAL:

wood, plywood

A4

WEIGHT:

SCALE: 1:50

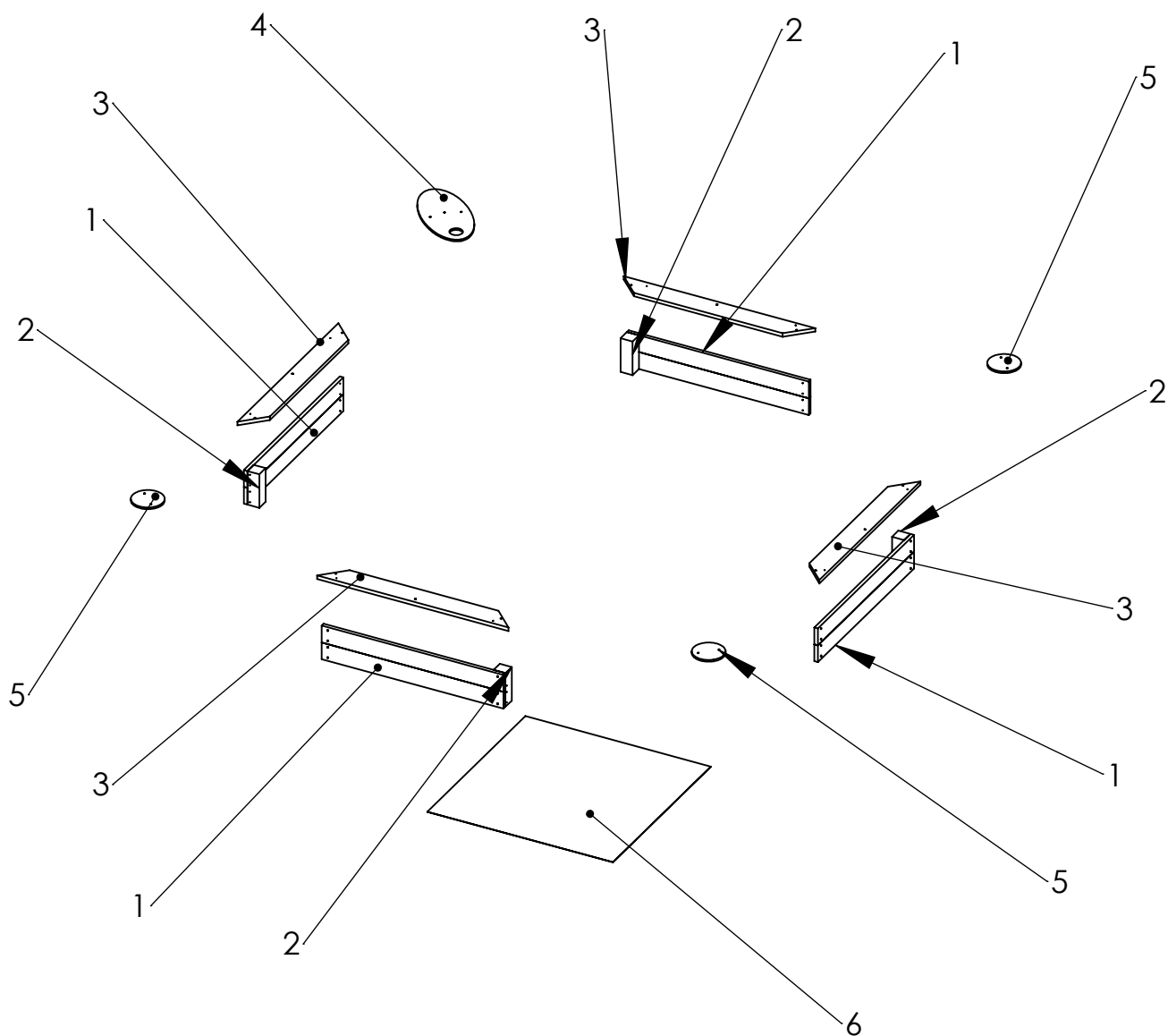
SHEET 2 OF 5

A

B

C

D



ITEM NO.	PART NUMBER	DESCRIPTION	QTY.
1	board 30x145x1520	wood	8
2	post 100x100x290	wood	4
3	upper board 30x178x1600	wood	4
4	seat elips	plywood	1
5	seat circle	plywood	3
6	geo textile		1
7	woodscrew 4,5 x 70	galvanized steel	21
8	nail 2,5x20	galvanized steel	64
9	Woodscrew 6 x 90	galvanized steel	16

UNLESS OTHERWISE SPECIFIED:  
DIMENSIONS ARE IN MILLIMETERS  
WEIGHT ARE IN KILOGRAMM

PART NUMBER / DWG NO.:

LK16

	NAME	SIGNATURE	DATE	REVISION
DRAWN			11.04.2012	
APP'VD				

DESCRIPTION:

Sandbox - 1600x1600

MATERIAL:

wood, plywood

A4

WEIGHT:

SCALE: 1:50

SHEET 3 OF 5

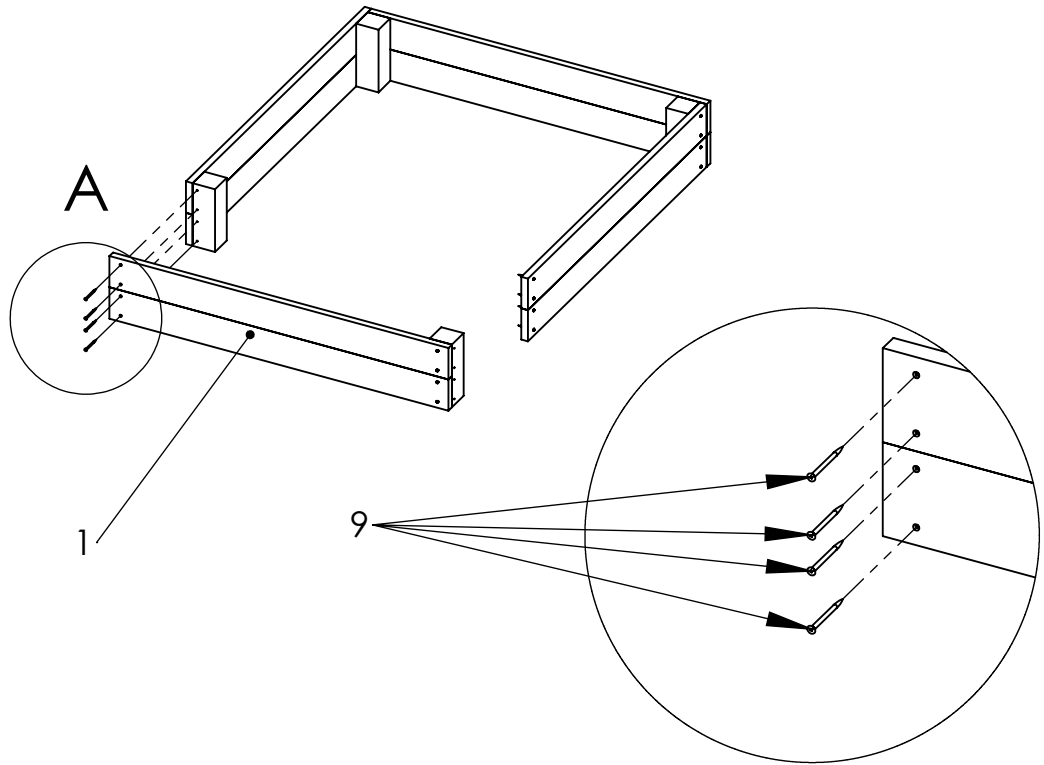


**Tiptaptap** OÜ

Tiptaptap OÜ  
Veetorni 9,  
Jüri alevik, Rae vald,  
75301 Harjumaa

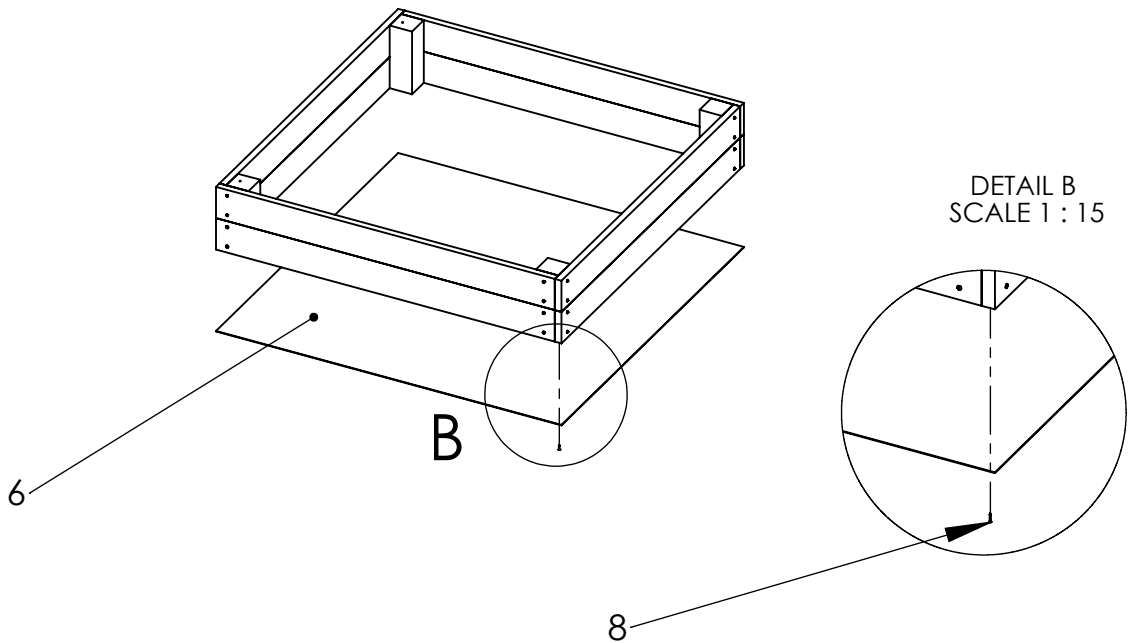
# ASSEMBLY INSTRUCTION

step 1



DETAIL A  
SCALE 1 : 10

step 2



DETAIL B  
SCALE 1 : 15

UNLESS OTHERWISE SPECIFIED:  
DIMENSIONS ARE IN MILLIMETERS  
WEIGHT ARE IN KILOGRAMM

PART NUMBER / DWG NO.:

LK16

	NAME	SIGNATURE	DATE	REVISION
DRAWN			12.06.2009	
APPV'D				

DESCRIPTION:

Sandbox - 1600x1600



**Tiptiptap** OÜ

Tiptiptap OÜ  
Veetorni 9,  
Jüri alevik, Rae vald,  
75301 Harjumaa

MATERIAL:

wood, plywood

A4

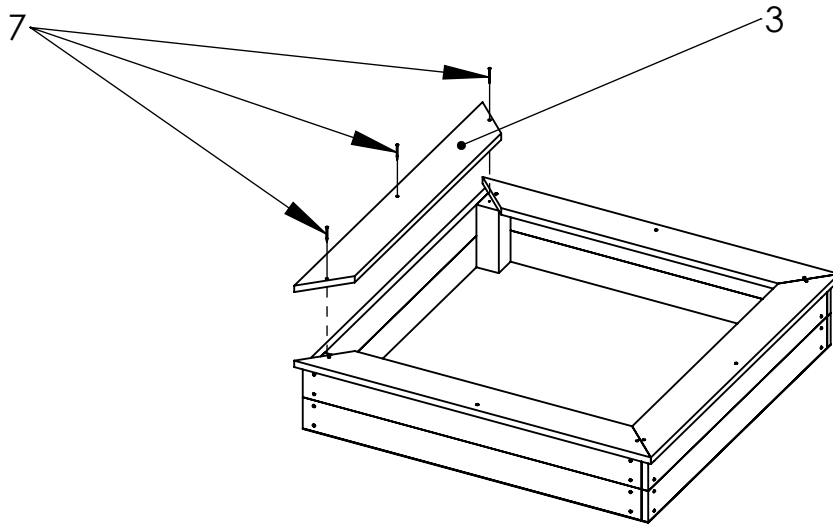
WEIGHT:

SCALE: 1:30

SHEET 4 OF 5

A

step 3

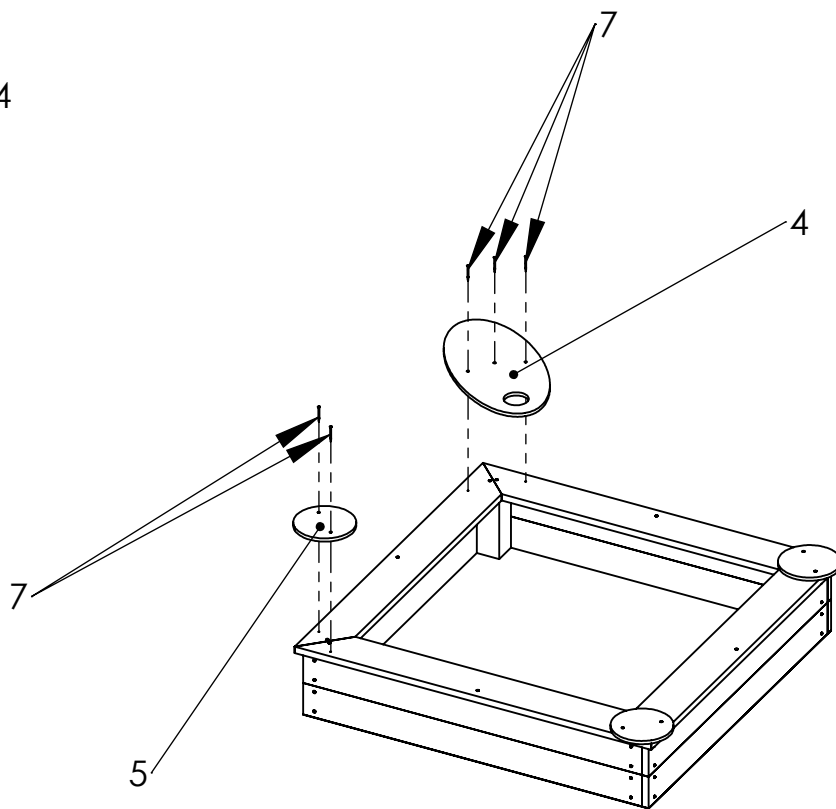


B

C

D

step 4



E

F

UNLESS OTHERWISE SPECIFIED:  
 DIMENSIONS ARE IN MILLIMETERS  
 WEIGHT ARE IN KILOGRAMM

PART NUMBER / DWG NO.:

LK16

	NAME	SIGNATURE	DATE	REVISION
DRAWN			12.06.2009	
APPV'D				

DESCRIPTION:

Sandbox - 1600x1600



**Tiptiptap** OÜ

Tiptiptap OÜ  
 Veetorni 9,  
 Jüri alevik, Rae vald,  
 75301 Harjumaa

MATERIAL:

wood, plywood

A4

WEIGHT:

SCALE: 1:30

SHEET 5 OF 5