

A

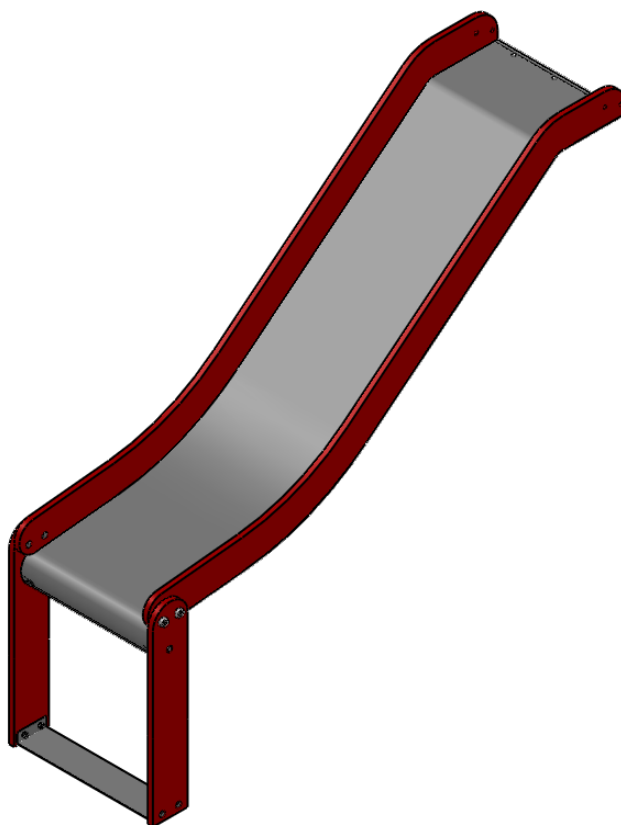
B

C

D

E

F



UNLESS OTHERWISE SPECIFIED:  
DIMENSIONS ARE IN MILLIMETERS  
WEIGHT ARE IN KILOGRAMMS

PART NUMBER / DWG NO.:

LIU 0,95 RV

	NAME	SIGNATURE	DATE	REVISION
DRAWN			15.03.2010	
APPROVED				

DESCRIPTION:

Slide h.950 with stainless base



TIPTAPTAP OÜ  
Luige keskus,  
Kiili vald,  
75404 Estonia

MATERIAL:

metal, plastic

A4

WEIGHT:

SCALE: 1:20

SHEET 1 OF 3

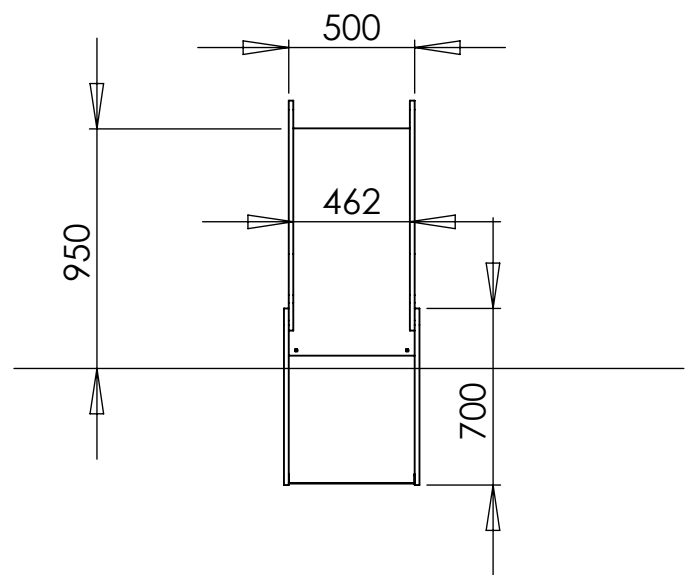
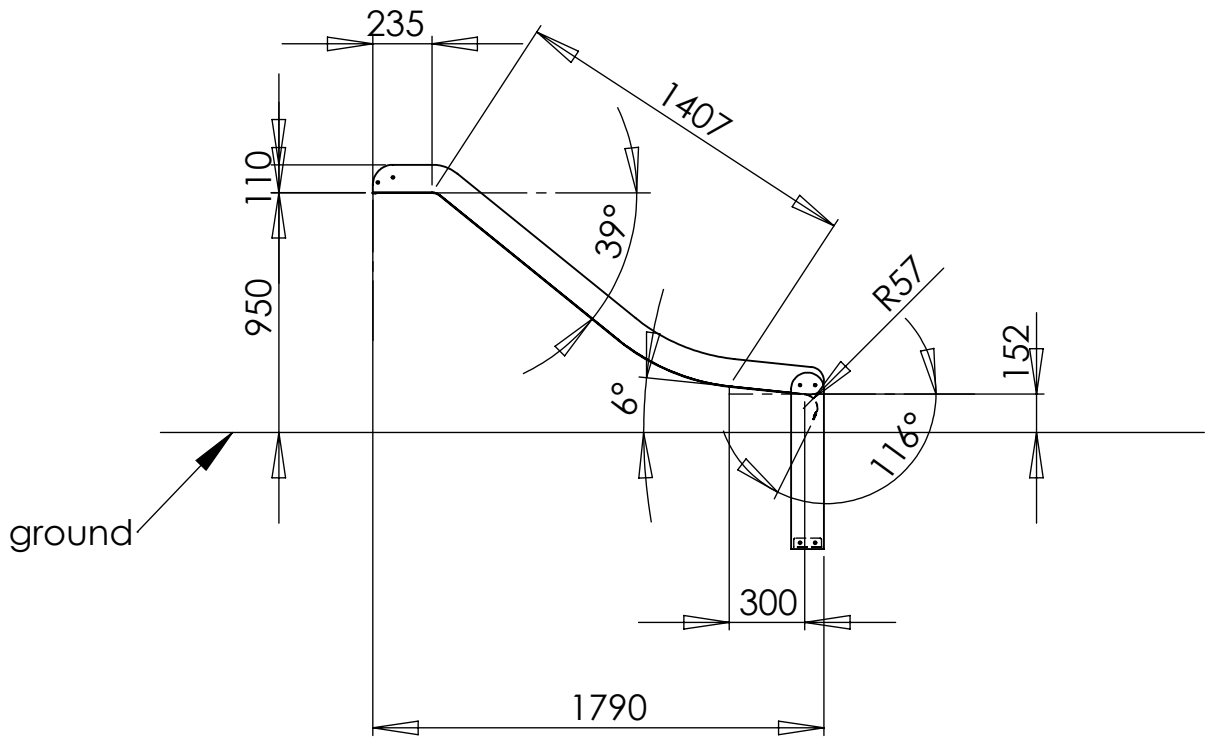
A

B

C

D

E



UNLESS OTHERWISE SPECIFIED:  
 DIMENSIONS ARE IN MILLIMETERS  
 WEIGHT ARE IN KILOGRAMM

PART NUMBER / DWG NO.:  
**LIU 0,95 RV**

	NAME	SIGNATURE	DATE	REVISION
DRAWN			15.03.2010	
APPV'D				

DESCRIPTION:  
**Slide h.950 with stainless base**



TIPTAPTAP OÜ  
 Luige keskus,  
 Kiili vald,  
 75404 Estonia

MATERIAL:	metal, plastic	A4
WEIGHT:	SCALE: 1:30	SHEET 2 OF 3

A

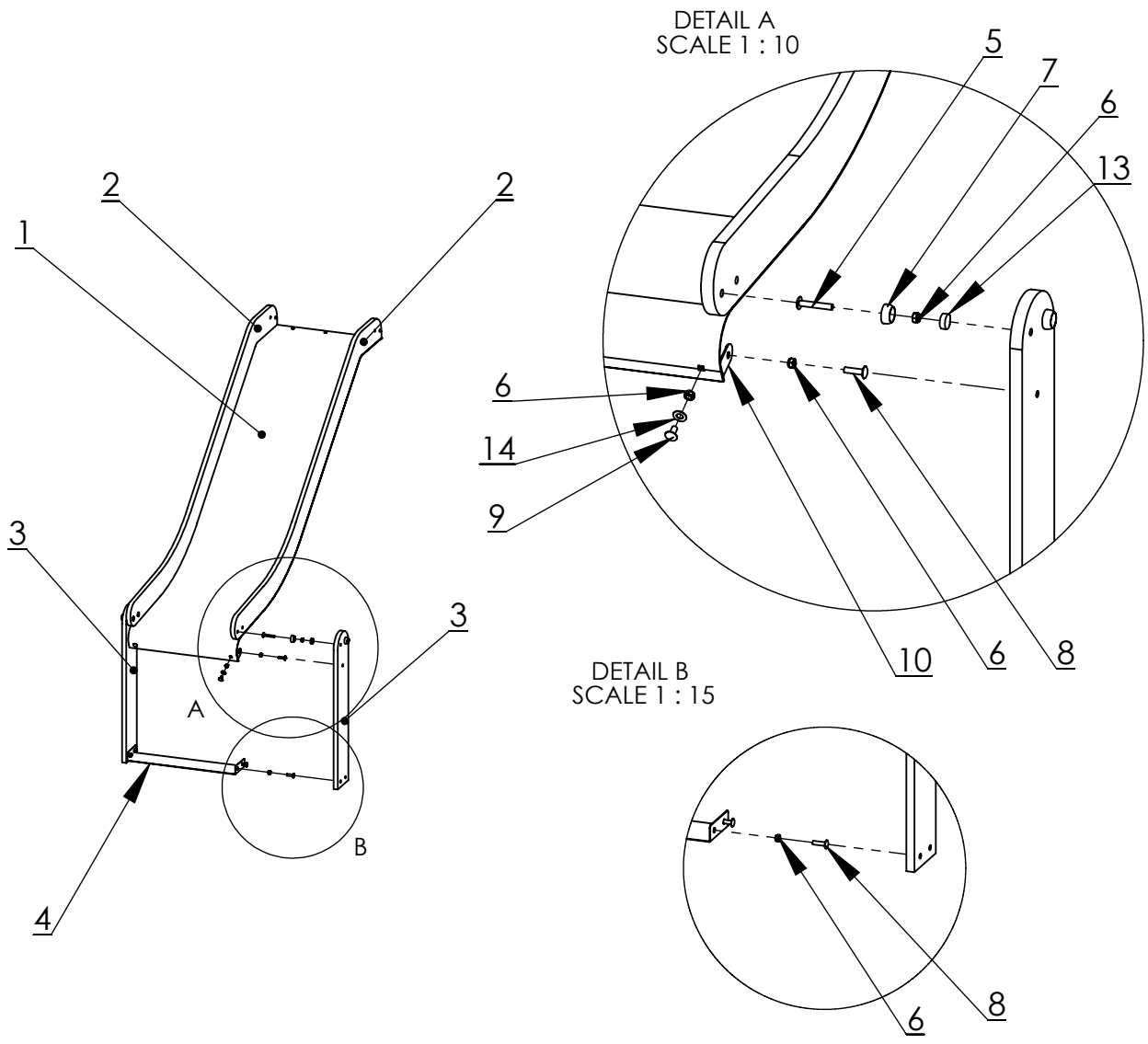
B

C

D

E

F



ITEM NO.	PART NUMBER	Material	QTY.
1	slide base h_950	1,5mm stainless steel	1
2	slide side board h_950	PE plastic	2
3	slide bottom board	PE plastic	2
4	slide ground fixture	galvanized steel	1
5	bolt DIN603 M8x50	galvanized steel	4
6	nut DIN985 M8	galvanized steel	12
7	nut cover M8	PE plastic	4
8	bolt DIN603 M8x30	galvanized steel	6
9	bolt DIN603 M8x16	galvanized steel	2
10	corner	galvanized steel	2
11	DIN 956 M6x35	galvanized steel	10
12	Din 7985 M6x35	galvanized steel	52
13	nut cover cap M8	PE plastic	4
14	washer DIN125	galvanized steel	2

UNLESS OTHERWISE SPECIFIED:  
 DIMENSIONS ARE IN MILLIMETERS  
 WEIGHT ARE IN KILOGRAMM

PART NUMBER / DWG NO.:  
**LIU 0,95 RV**

	NAME	SIGNATURE	DATE	REVISION
DRAWN			15.03.2010	
APPV'D				

DESCRIPTION:  
**Slide h.950 with stainless base**

**Tip Tap Playgrounds**  
 TIPTAPTAP OÜ  
 Luige keskus,  
 Kiili vald,  
 75404 Estonia

MATERIAL:	metal, plastic	A4
WEIGHT:	SCALE: 1:30	SHEET 3 OF 3