

A

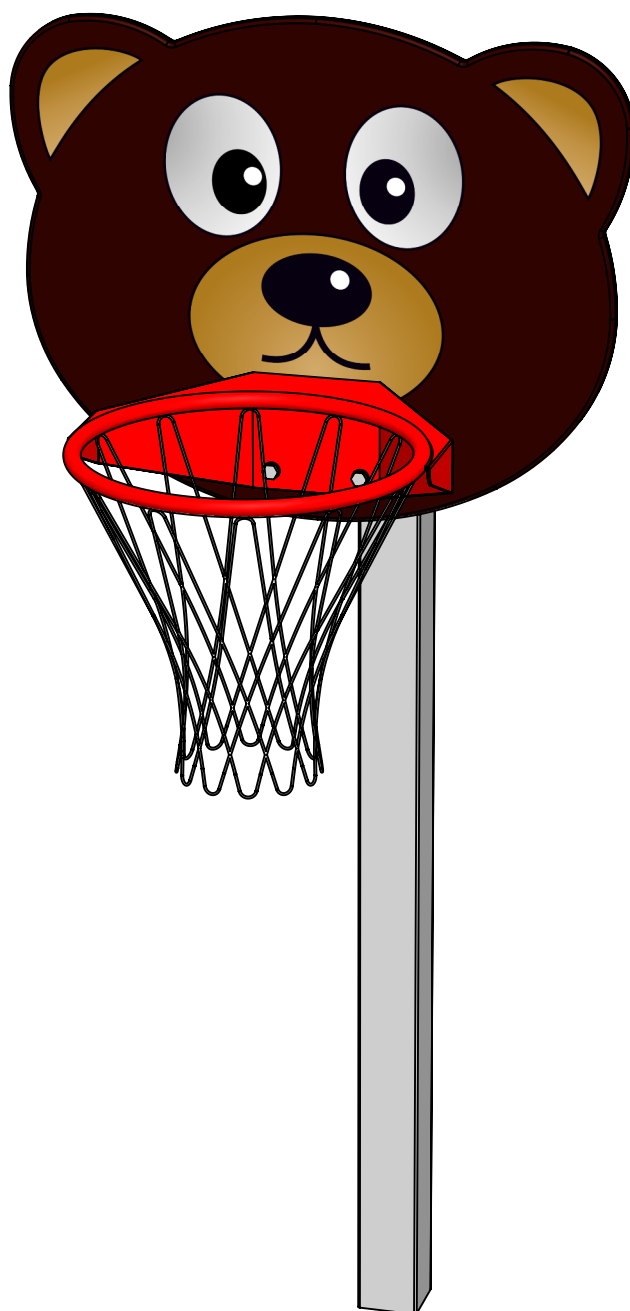
B

C

D

E

F



UNLESS OTHERWISE SPECIFIED:
DIMENSIONS ARE IN MILLIMETERS
WEIGHT ARE IN KILOGRAMM

PART NUMBER / DWG NO.:

KPK05

	NAME	SIGNATURE	DATE	REVISION
DRAWN	M.Rebase		09.09.2015	
APPV'D				

DESCRIPTION:

Basketball construction TEDDY BEAR



Tiptaptap OÜ

Tiptaptap OÜ
Veetorni 9,
Jüri alevik, Rae vald,
75301 Harjumaa

MATERIAL:

wood, metal, plastic

A4

WEIGHT:

SCALE: 1:8

SHEET 1 OF 3

A

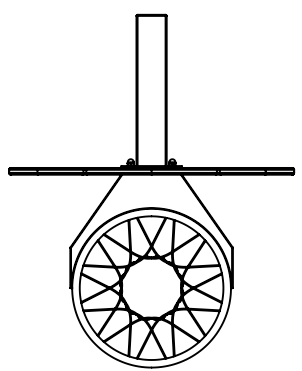
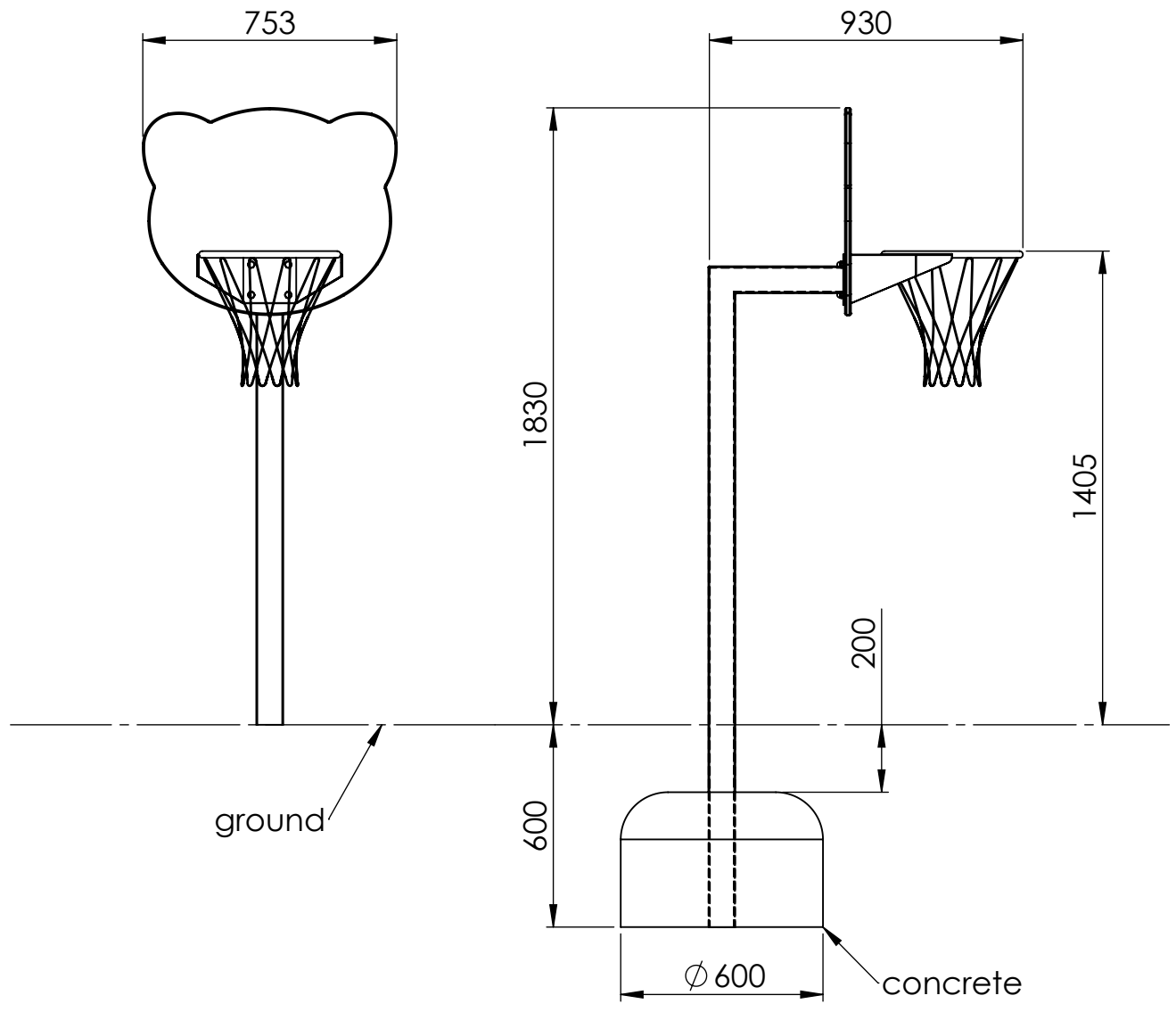
B

C

D

E

F



UNLESS OTHERWISE SPECIFIED:
DIMENSIONS ARE IN MILLIMETERS
WEIGHT ARE IN KILOGRAMM

	NAME	SIGNATURE	DATE	REVISION
DRAWN	M.Rebase		09.09.2015	
APPV'D				

PART NUMBER / DWG NO.:
KPK05

DESCRIPTION:
Basketball construction TEDDY BEAR



Tiptaptap OÜ
Veetorni 9,
Jüri alevik, Rae vald,
75301 Harjumaa

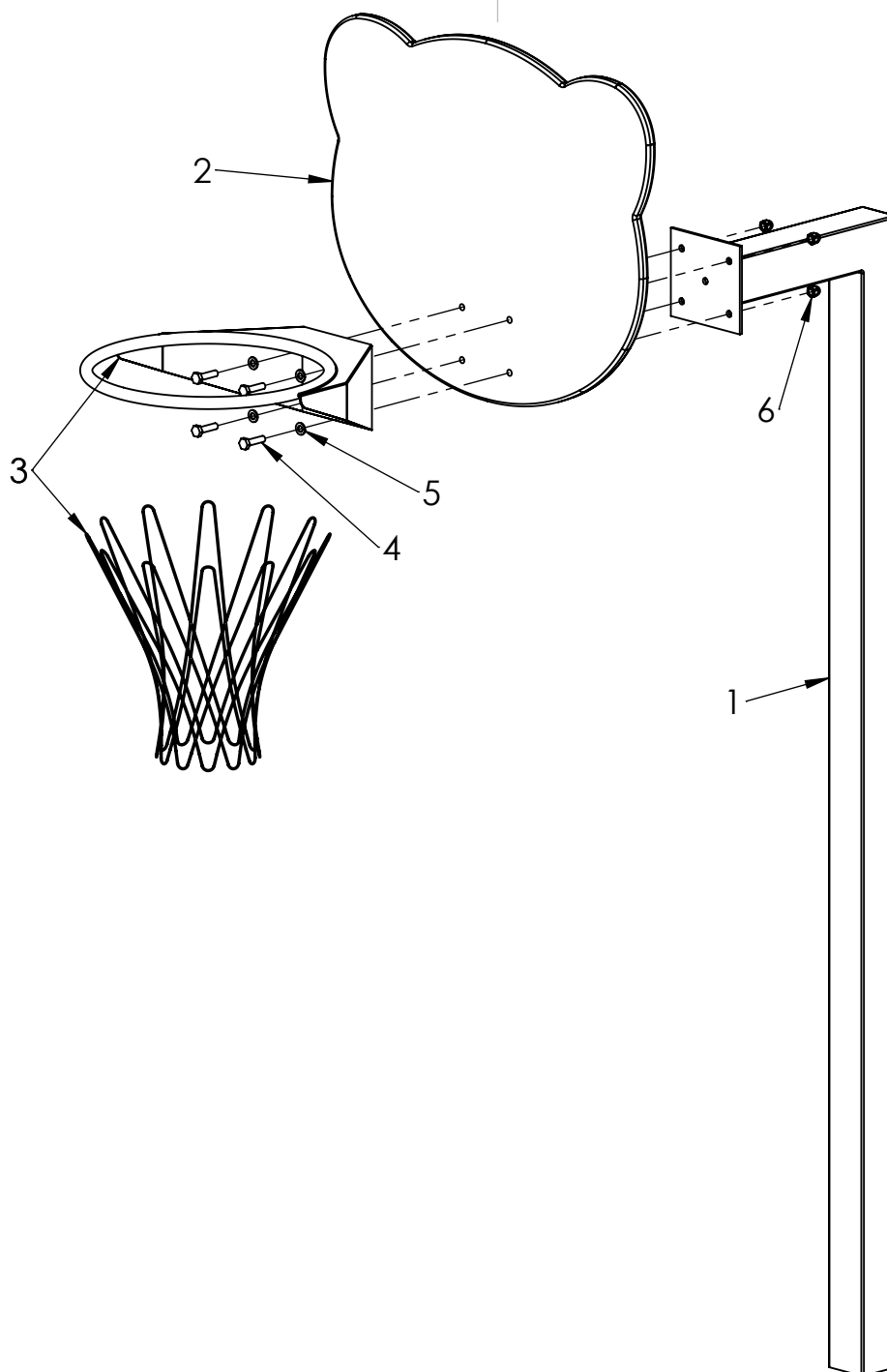
MATERIAL:	wood, metal, plastic	A4
WEIGHT:	SCALE: 1:20	SHEET 2 OF 3

A

B

C

D



ITEM NO.	PART NUMBER	DESCRIPTION	QTY.
1	basketball post	galvanized steel	1
2	backboard TEDDY BEAR	plywood	1
3	backboard ring with a net	painted steel	1
4	bolt DIN933 M10x40	galvanized steel	4
5	washer M10	galvanized steel	4
6	domed cap nut DIN1587 M10	galvanized steel	4

UNLESS OTHERWISE SPECIFIED: DIMENSIONS ARE IN MILLIMETERS WEIGHT ARE IN KILOGRAMM				PART NUMBER / DWG NO.:	
				KPK05	
				DESCRIPTION:	
				Basketball construction TEDDY BEAR	
				MATERIAL:	
				wood, metal, plastic	
				A4	
				WEIGHT:	
				SCALE: 1:12	
				SHEET 3 OF 3	

F



Tiptiptap OÜ

Tiptiptap OÜ
Veetorni 9,
Jüri alevik, Rae vald,
75301 Harjumaa