

A

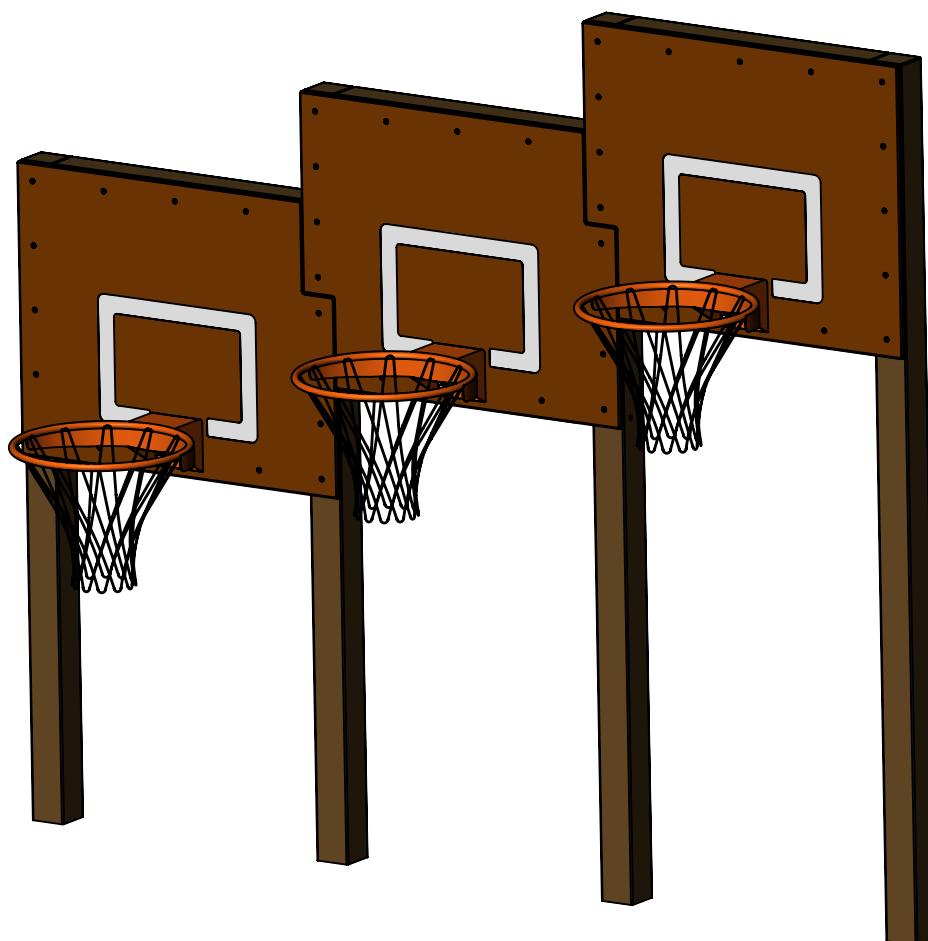
B

C

D

E

F



UNLESS OTHERWISE SPECIFIED:  
DIMENSIONS ARE IN MILLIMETERS  
WEIGHT ARE IN KILOGRAMM

PART NUMBER / DWG NO.:

KPK03

	NAME	SIGNATURE	DATE	REVISION
DRAWN	R.Fedotov		1.07.2015	
APPV'D				

DESCRIPTION:

Basketball construction with 3 rings



**Tiptaptap** OÜ

Tiptaptap OÜ  
Veetorni 9,  
Jüri alevik, Rae vald,  
75301 Harjumaa

MATERIAL:

wood, metal, plastic

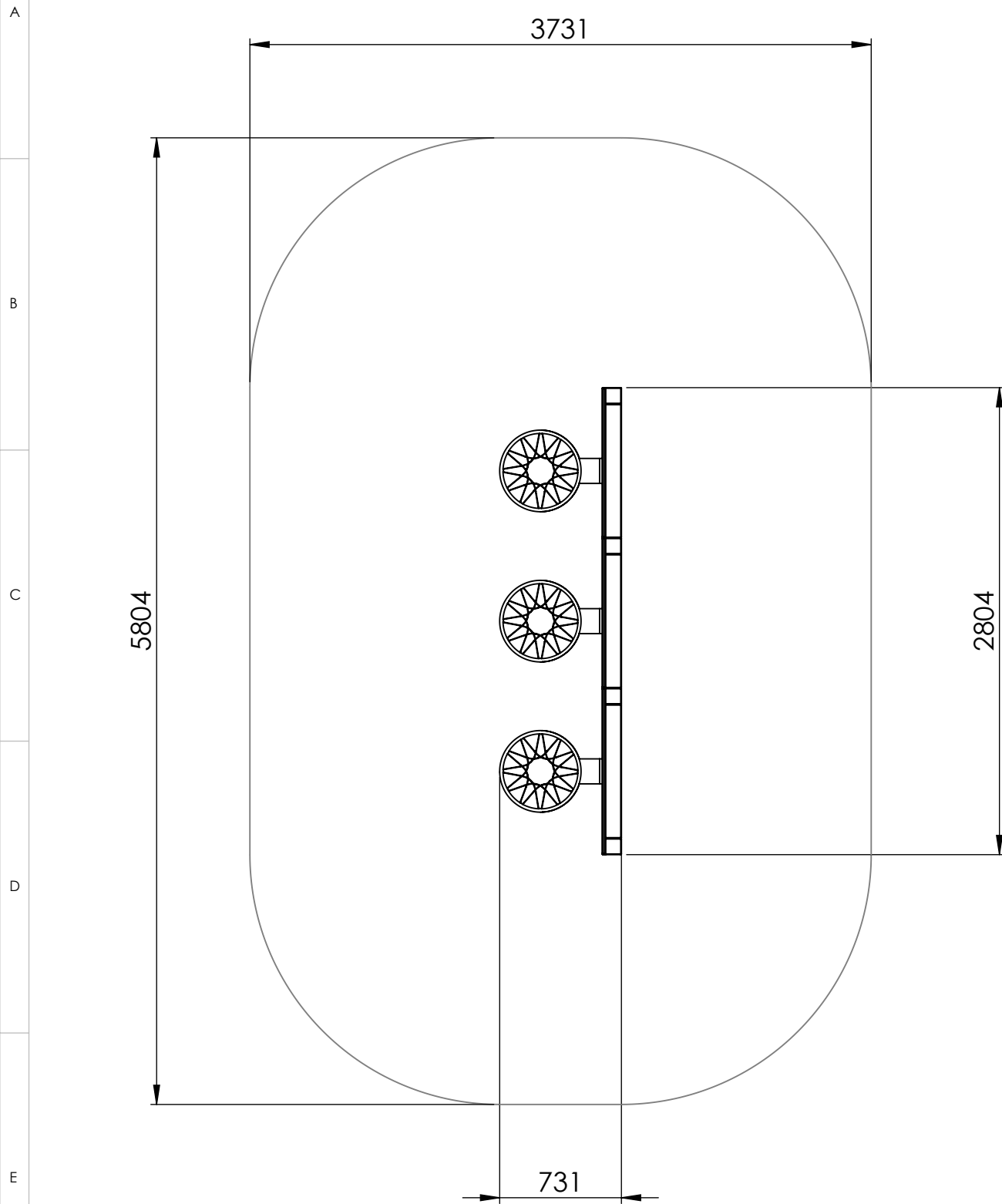
A4

WEIGHT:

SCALE: 1:20

SHEET 1 OF 7

Safety area



UNLESS OTHERWISE SPECIFIED: DIMENSIONS ARE IN MILLIMETERS WEIGHT ARE IN KILOGRAMM				
	NAME	SIGNATURE	DATE	REVISION
DRAWN	R.Fedotov		1.07.2015	
APPV'D				

PART NUMBER / DWG NO.: **KPK03**

DESCRIPTION:  
**Basketball construction with 3 rings**



**Tiptaptap** OÜ  
Veetorni 9,  
Jüri alevik, Rae vald,  
75301 Harjumaa

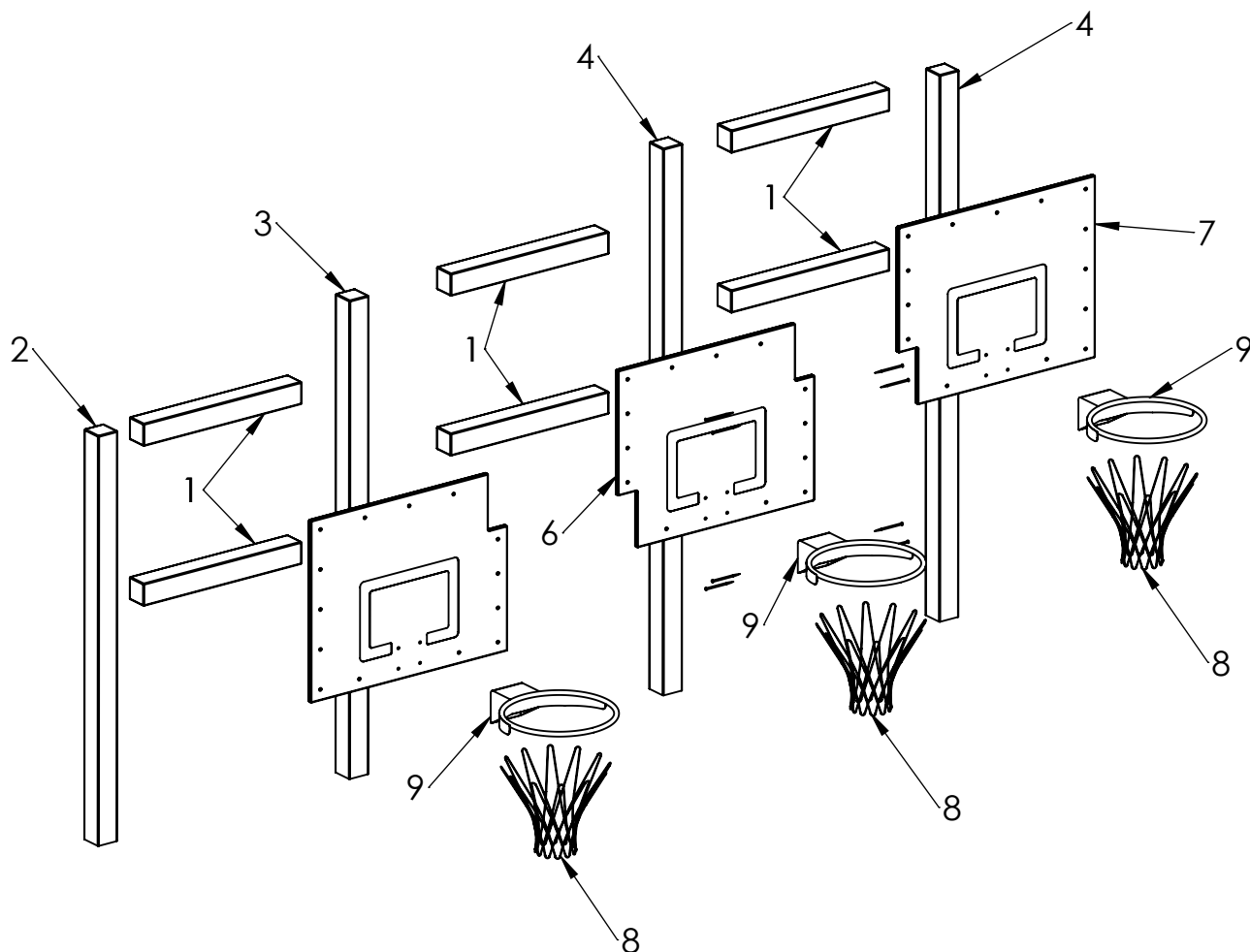
MATERIAL:	wood, metal, plastic	A4
WEIGHT:	SCALE: 1:35	SHEET 2 OF 7

A

B

C

D



ITEM NO.	PART NUMBER	DESCRIPTION	exploded/QTY.
1	post 98x98x804	impregnated laminated wood	6
2	post 98x98x2400	impregnated laminated wood	1
3	post 98x98x2700	impregnated laminated wood	1
4	post 98x98x3000	impregnated laminated wood	2
5	KPK03 panel left	plywood	1
6	KPK03 panel center	plywood	1
7	KPK03 panel right	plywood	1
8	basketball net		3
9	basketball hoop	painted steel	3

UNLESS OTHERWISE SPECIFIED:  
DIMENSIONS ARE IN MILLIMETERS  
WEIGHT ARE IN KILOGRAMM

PART NUMBER / DWG NO.:

KPK03

	NAME	SIGNATURE	DATE	REVISION
DRAWN	R.Fedotov		1.07.2015	
APPV'D				

DESCRIPTION:

Basketball construction with 3 rings

MATERIAL:

wood, metal, plastic

A4

WEIGHT:

SCALE: 1:30

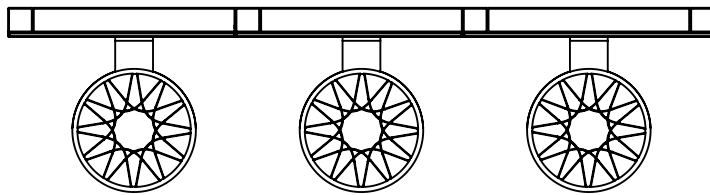
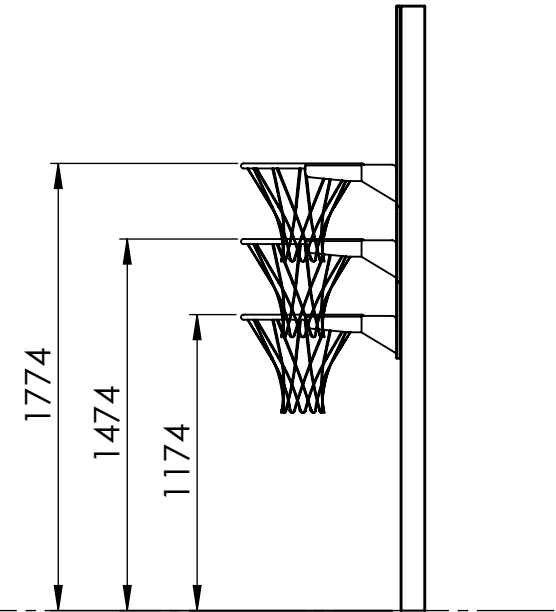
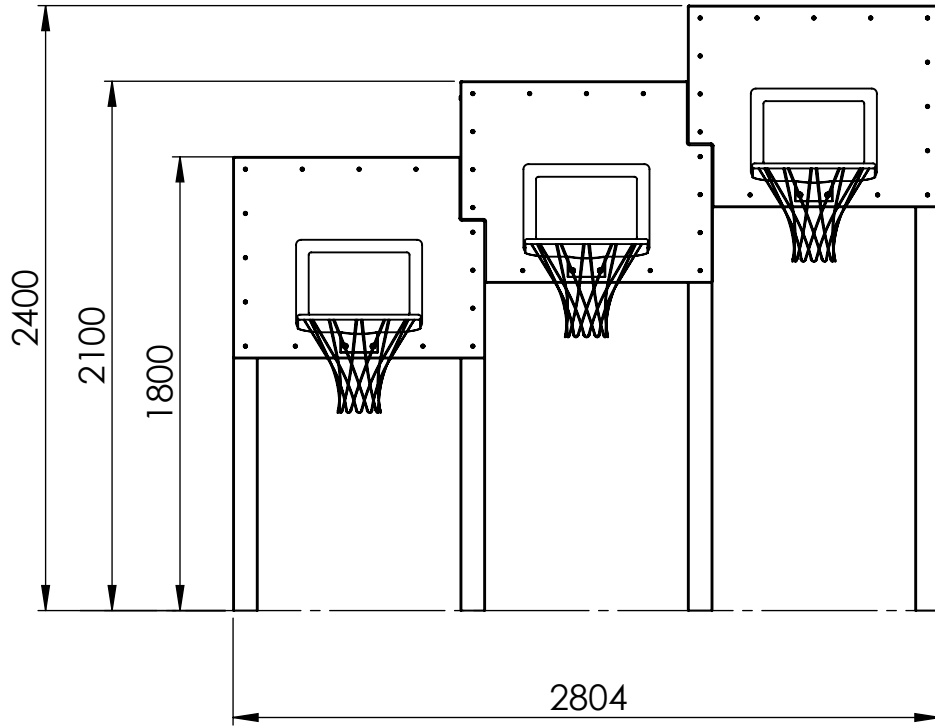
SHEET 3 OF 7



**Tiptaptap** OÜ

Tiptaptap OÜ  
Veetorni 9,  
Jüri alevik, Rae vald,  
75301 Harjumaa

F



UNLESS OTHERWISE SPECIFIED:  
 DIMENSIONS ARE IN MILLIMETERS  
 WEIGHT ARE IN KILOGRAMM

	NAME	SIGNATURE	DATE	REVISION
DRAWN	R.Fedotov		1.07.2015	
APPV'D				

PART NUMBER / DWG NO.:  
**KPK03**

DESCRIPTION:  
**Basketball construction with 3 rings**



**Tiptap** OÜ  
 Veetorni 9,  
 Jüri alevik, Rae vald,  
 75301 Harjumaa

MATERIAL:	wood, metal, plastic	A4
WEIGHT:	SCALE: 1:30	SHEET 4 OF 7

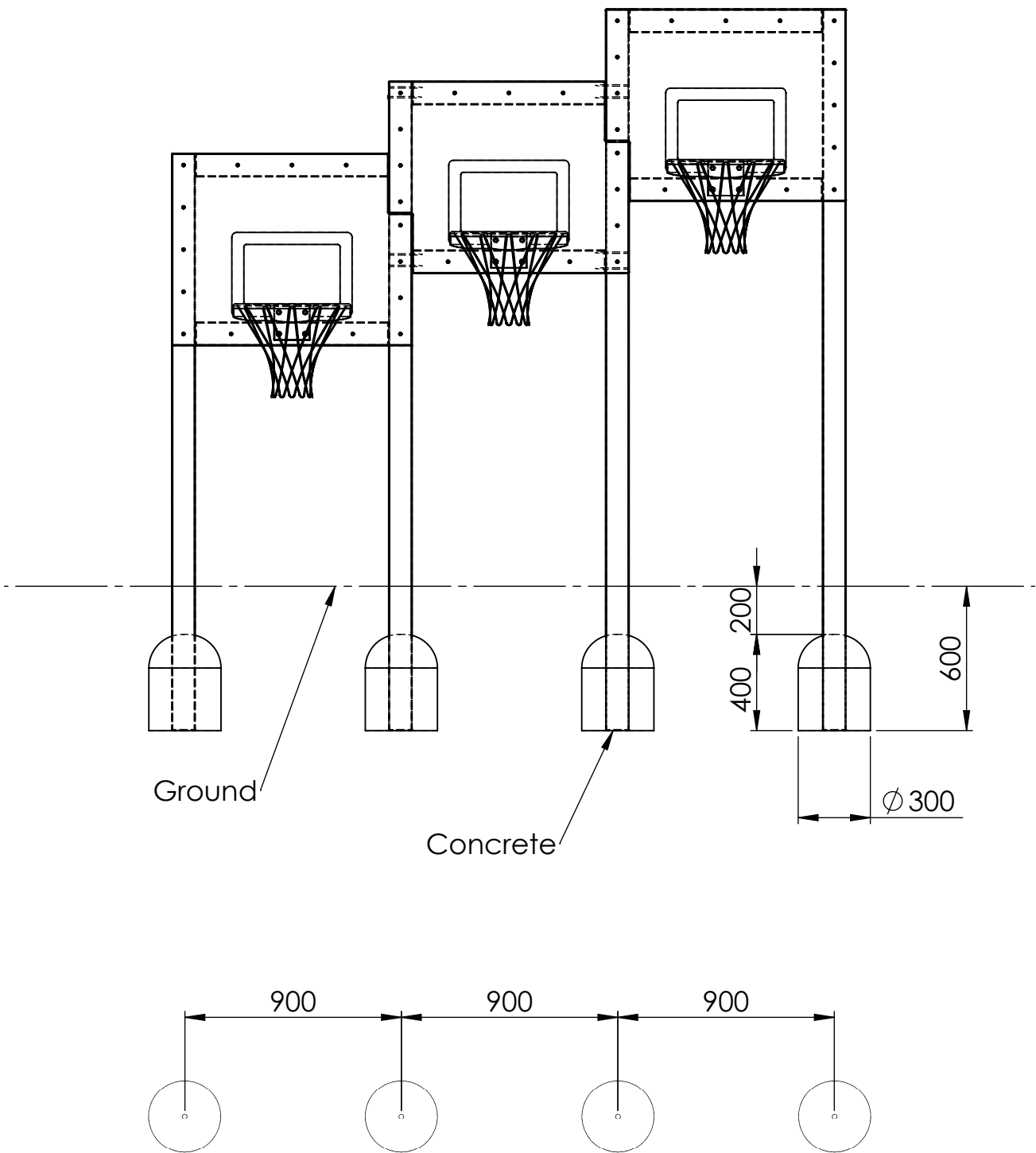
A

B

C

D

E



UNLESS OTHERWISE SPECIFIED: DIMENSIONS ARE IN MILLIMETERS WEIGHT ARE IN KILOGRAMM				
	NAME	SIGNATURE	DATE	REVISION
DRAWN	R.Fedotov		1.07.2015	
APPV'D				

PART NUMBER / DWG NO.: **KPK03**

DESCRIPTION:  
**Basketball construction with 3 rings**

 **Tiptaptap** OÜ  
Veetorni 9,  
Jüri alevik, Rae vald,  
75301 Harjumaa

MATERIAL:	wood, metal, plastic	A4
WEIGHT:	SCALE: 1:25	SHEET 5 OF 7

A

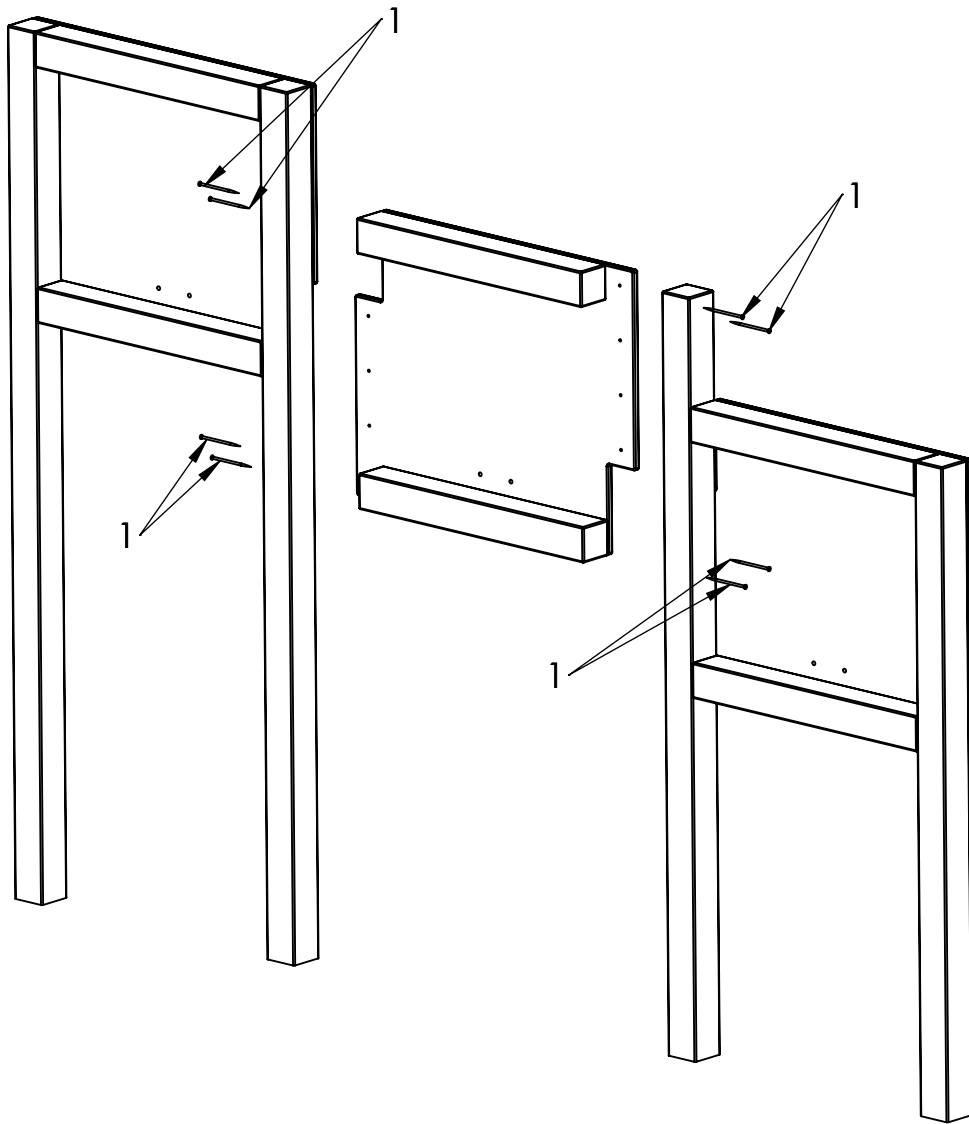
B

C

D

E

F



ITEM NO.	PART NUMBER
1	woodscrew PP 6x140

UNLESS OTHERWISE SPECIFIED:  
 DIMENSIONS ARE IN MILLIMETERS  
 WEIGHT ARE IN KILOGRAMM

PART NUMBER / DWG NO.:	KPK03
------------------------	-------

	NAME	SIGNATURE	DATE	REVISION
DRAWN	R.Fedotov		1.07.2015	
APPV'D				

DESCRIPTION:	Basketball construction with 3 rings		
--------------	--------------------------------------	--	--



**Tiptaptap** OÜ

Tiptaptap OÜ  
 Veetorni 9,  
 Jüri alevik, Rae vald,  
 75301 Harjumaa

MATERIAL:	wood, metal, plastic	A4
WEIGHT:	SCALE: 1:20	SHEET 6 OF 7

A

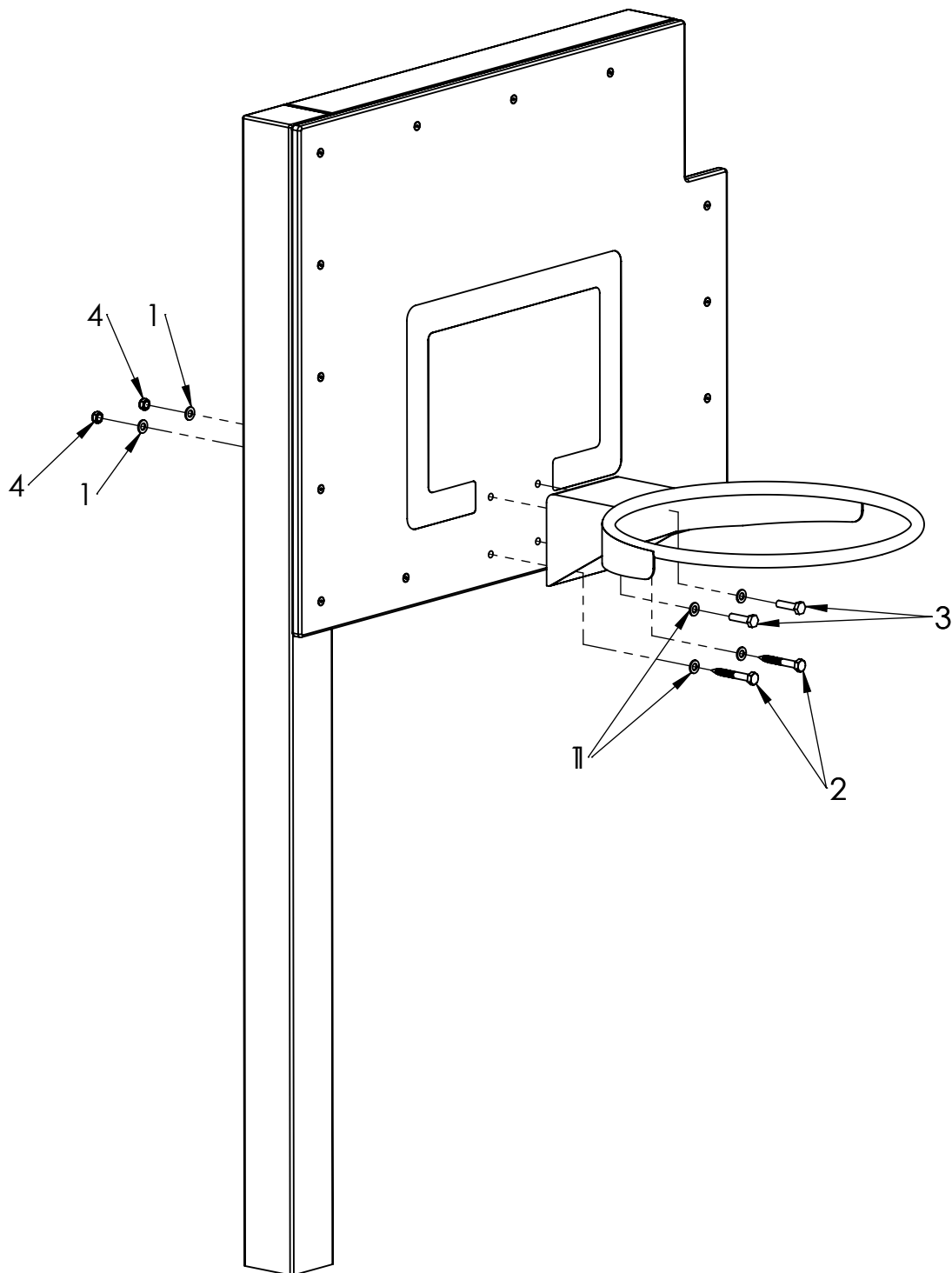
B

C

D

E

F



ITEM NO.	PART NUMBER
1	washer M10
2	wood screw DIN571 10x80
3	bolt DIN937 M10x40
4	nut DIN985 M10

UNLESS OTHERWISE SPECIFIED:  
DIMENSIONS ARE IN MILLIMETERS  
WEIGHT ARE IN KILOGRAMM

PART NUMBER / DWG NO.:

KPK03

	NAME	SIGNATURE	DATE	REVISION
DRAWN	R.Fedotov		1.07.2015	
APPV'D				

DESCRIPTION:

Basketball construction with 3 rings

MATERIAL:

wood, metal, plastic

A4

WEIGHT:

SCALE: 1:10

SHEET 7 OF 7



**Tiptaptap** OÜ

Tiptaptap OÜ  
Veetorni 9,  
Jüri alevik, Rae vald,  
75301 Harjumaa