

A

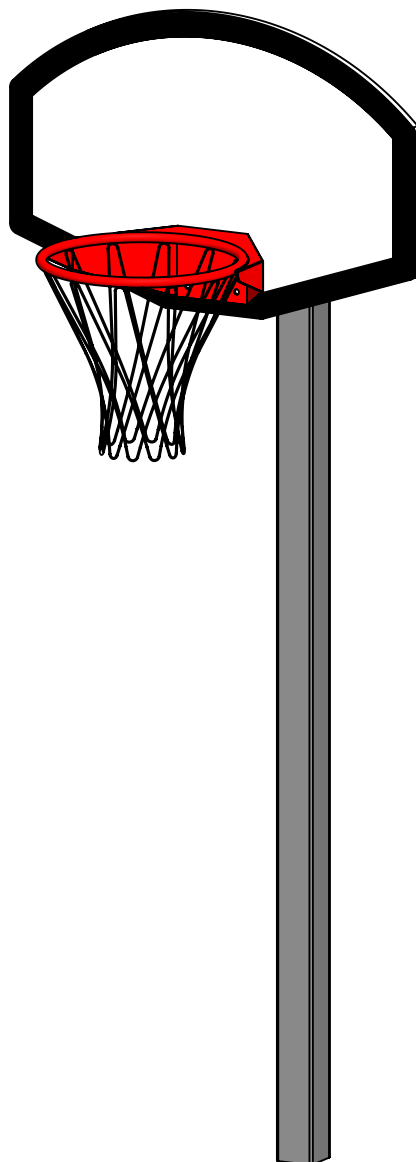
B

C

D

E

F



UNLESS OTHERWISE SPECIFIED:
DIMENSIONS ARE IN MILLIMETERS
WEIGHT ARE IN KILOGRAMM

PART NUMBER / DWG NO.:

KPK01

	NAME	SIGNATURE	DATE	REVISION
DRAWN	M.Rebase		17.05.2014	
APPV'D				

DESCRIPTION:

Basketball construction for children



Tiptaptap OÜ

Tiptaptap OÜ
Veetorni 9,
Jüri alevik, Rae vald,
75301 Harjumaa

MATERIAL:

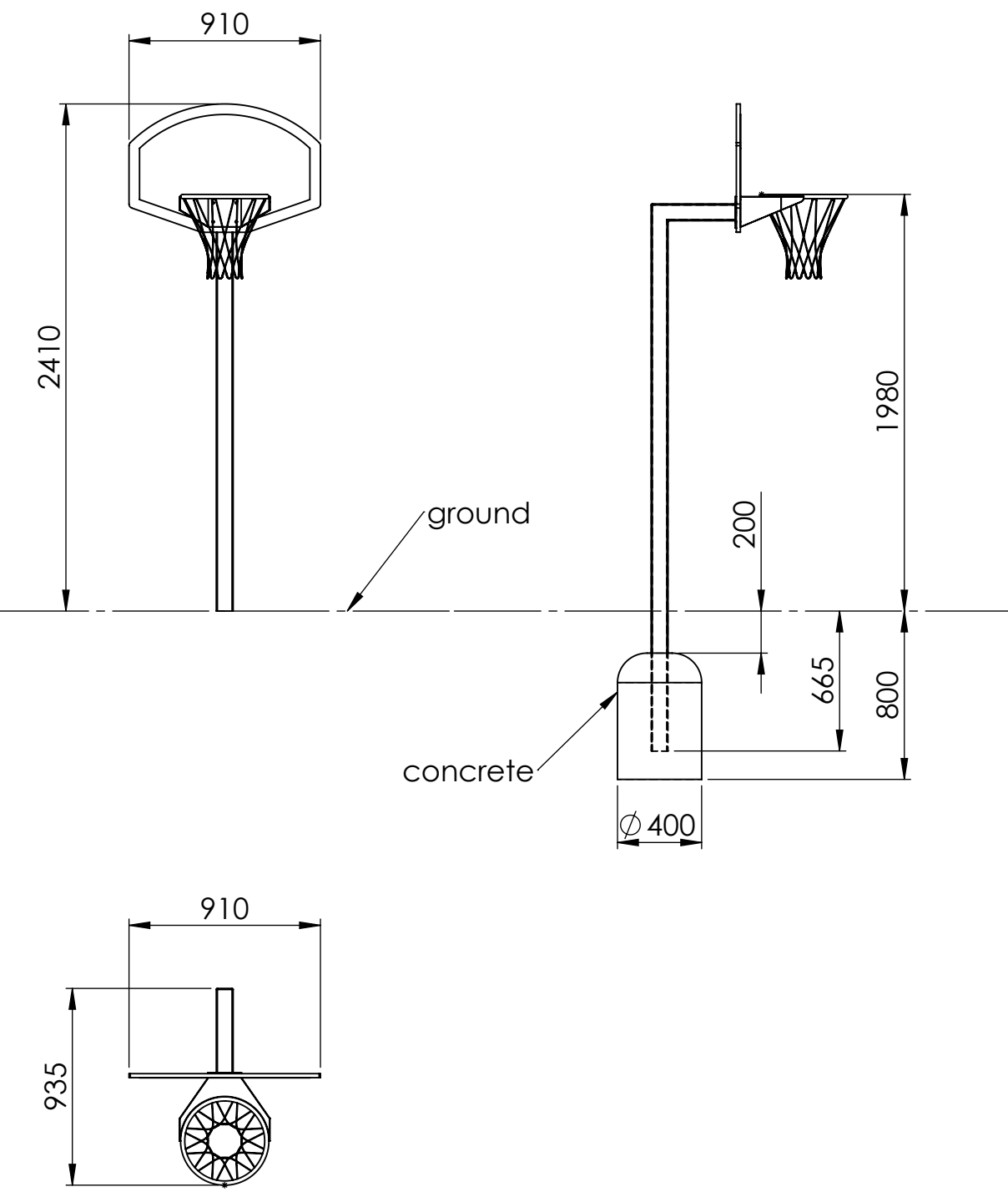
wood, metal, plastic

A4

WEIGHT:

SCALE: 1:15

SHEET 1 OF 2



UNLESS OTHERWISE SPECIFIED:
 DIMENSIONS ARE IN MILLIMETERS
 WEIGHT ARE IN KILOGRAMM

PART NUMBER / DWG NO.:
KPK01

	NAME	SIGNATURE	DATE	REVISION
DRAWN	M.Rebase		17.05.2014	
APPV'D				

DESCRIPTION:
Basketball construction for children


Tiptaptap OÜ
 Veetorni 9,
 Jüri alevik, Rae vald,
 75301 Harjumaa

MATERIAL:	wood, metal, plastic	A4
WEIGHT:	SCALE: 1:30	SHEET 2 OF 2