

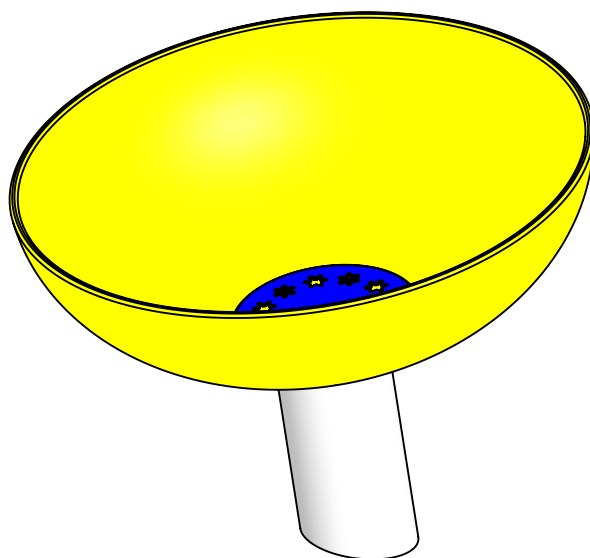
A

B

C

D

E



F

| | | | | |
|---|----------|-----------|------------|----------|
| UNLESS OTHERWISE SPECIFIED: DIMENSIONS ARE IN MILLIMETERS WEIGHT ARE IN KILOGRAMM | | | | |
| | NAME | SIGNATURE | DATE | REVISION |
| DRAWN | M.Rebase | | 26.06.2013 | |
| APPV'D | | | | |

PART NUMBER / DWG NO.: **KM012**

DESCRIPTION: **Carousel EUROPE**



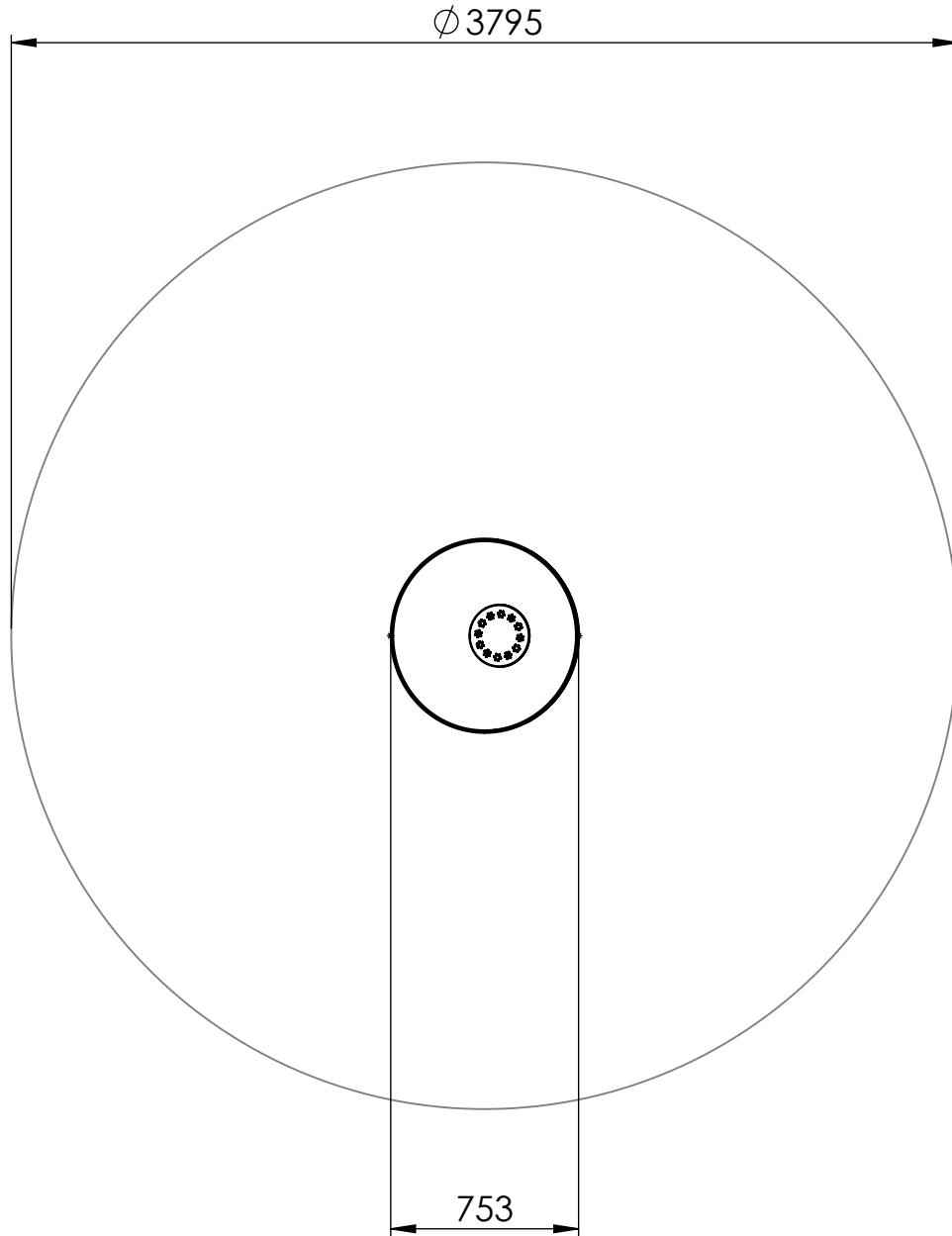
Tiptaptap OÜ

Tiptaptap OÜ
Veetorni 9,
Jüri alevik, Rae vald,
75301 Harjumaa

MATERIAL: **wood, metal, plastic** **A4**

WEIGHT: SCALE: 1:10 SHEET 1 OF 5

safety area



UNLESS OTHERWISE SPECIFIED:
DIMENSIONS ARE IN MILLIMETERS
WEIGHT ARE IN KILOGRAMM

PART NUMBER / DWG NO.:

KM012

| | NAME | SIGNATURE | DATE | REVISION |
|--------|----------|-----------|------------|----------|
| DRAWN | M.Rebase | | 26.06.2013 | |
| APPV'D | | | | |

DESCRIPTION:

Carousel EUROPE



Tiptaptap OÜ

Tiptaptap OÜ
Veetorni 9,
Jüri alevik, Rae vald,
75301 Harjumaa

MATERIAL:

wood, metal, plastic

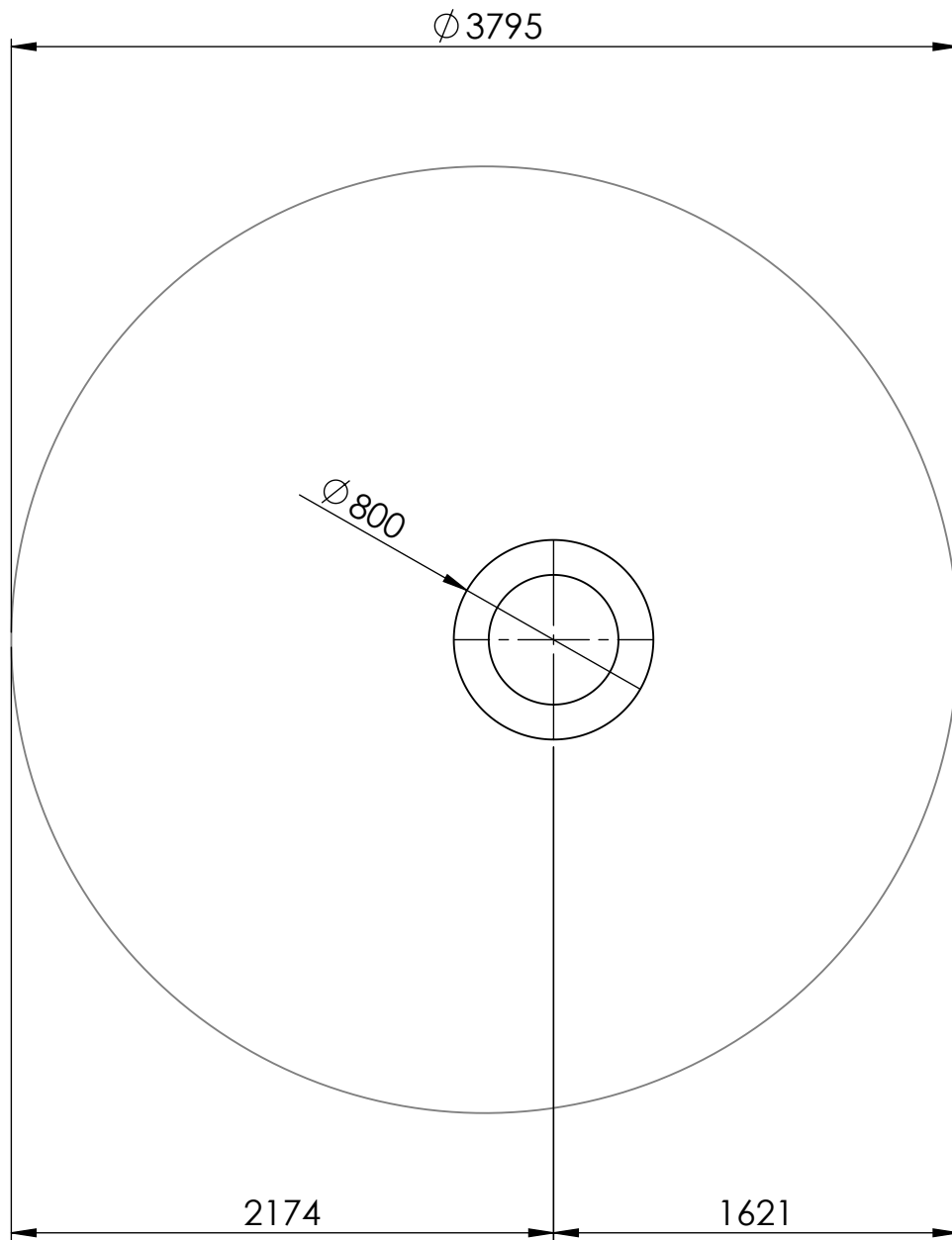
A4

WEIGHT:

SCALE: 1:30

SHEET 2 OF 5

foundation



depth of foundation 600mm

UNLESS OTHERWISE SPECIFIED:
DIMENSIONS ARE IN MILLIMETERS
WEIGHT ARE IN KILOGRAMM

PART NUMBER / DWG NO.:

KM012

| | NAME | SIGNATURE | DATE | REVISION |
|--------|----------|-----------|------------|----------|
| DRAWN | M.Rebase | | 26.06.2013 | |
| APPV'D | | | | |

DESCRIPTION:

Carousel EUROPE



Tiptaptap OÜ

Tiptaptap OÜ
Veetorni 9,
Jüri alevik, Rae vald,
75301 Harjumaa

MATERIAL:

wood, metal, plastic

A4

WEIGHT:

SCALE: 1:30

SHEET 3 OF 5

A

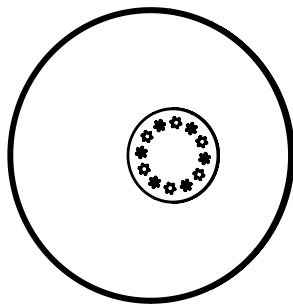
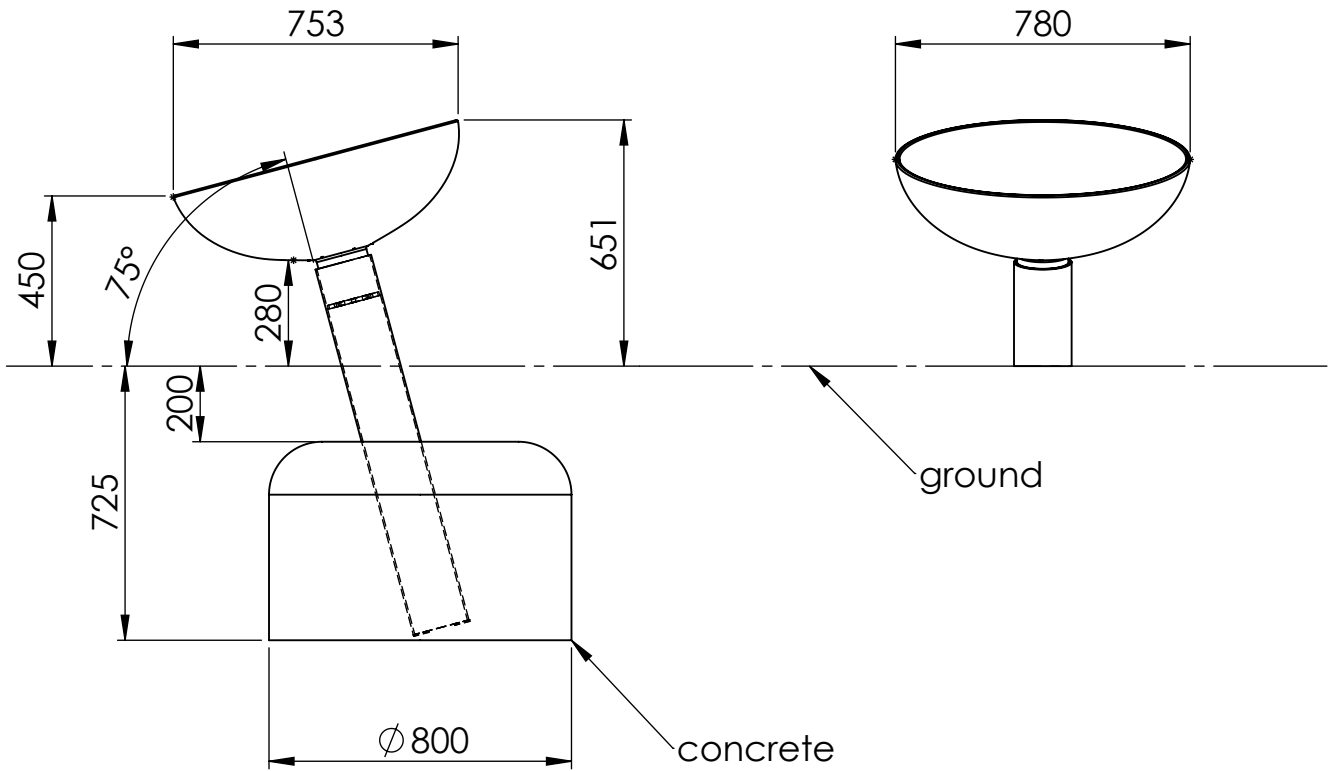
B

C

D

E

F



UNLESS OTHERWISE SPECIFIED:
 DIMENSIONS ARE IN MILLIMETERS
 WEIGHT ARE IN KILOGRAMM

PART NUMBER / DWG NO.:

KM012

| | NAME | SIGNATURE | DATE | REVISION |
|--------|----------|-----------|------------|----------|
| DRAWN | M.Rebase | | 26.06.2013 | |
| APPV'D | | | | |

DESCRIPTION:

Carousel EUROPE



Tiptaptap OÜ

Tiptaptap OÜ
 Veetorni 9,
 Jüri alevik, Rae vald,
 75301 Harjumaa

MATERIAL:

wood, metal, plastic

A4

WEIGHT:

SCALE: 1:20

SHEET 4 OF 5

A

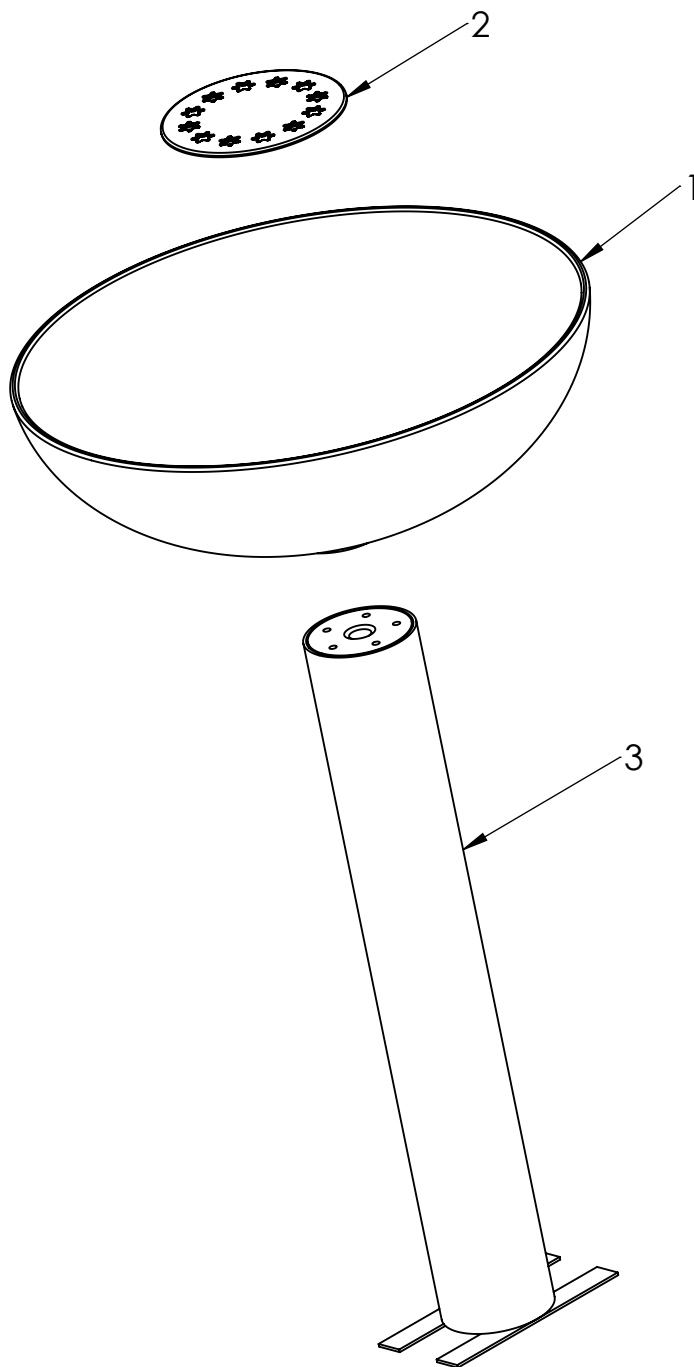
B

C

D

E

F



| ITEM NO. | PART NUMBER | DESCRIPTION | QTY. |
|----------|------------------|------------------|------|
| 1 | bowl | PE plastic | 1 |
| 2 | inner plate | PE plastic | 1 |
| 3 | spinning console | galvanized steel | 1 |

| | | | | | |
|---|----------|-----------|------------|------------------------|--------------|
| UNLESS OTHERWISE SPECIFIED: DIMENSIONS ARE IN MILLIMETERS WEIGHT ARE IN KILOGRAMM | | | | PART NUMBER / DWG NO.: | |
| | | | | KM012 | |
| | NAME | SIGNATURE | DATE | REVISION | |
| DRAWN | M.Rebase | | 26.06.2013 | | |
| APPV'D | | | | | |
| | | | | DESCRIPTION: | |
| | | | | Carousel EUROPE | |
| | | | | MATERIAL: | A4 |
| | | | | wood, metal, plastic | |
| | | | | WEIGHT: | SCALE: 1:10 |
| | | | | | SHEET 5 OF 5 |



Tiptaptap OÜ

Tiptaptap OÜ
Veetorni 9,
Jüri alevik, Rae vald,
75301 Harjumaa