

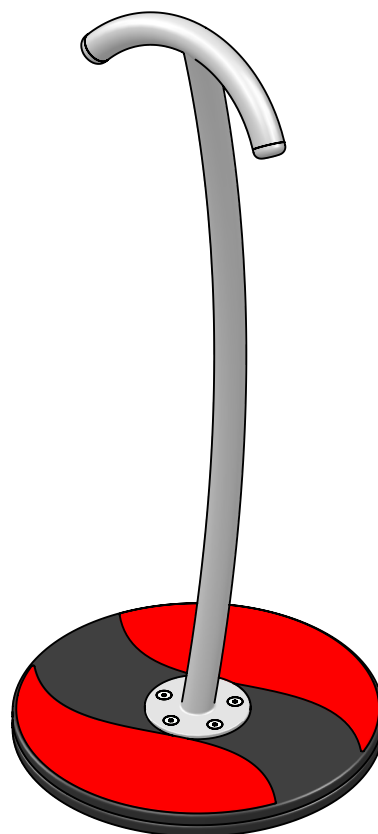
A

B

C

D

E



UNLESS OTHERWISE SPECIFIED:
DIMENSIONS ARE IN MILLIMETERS
WEIGHT ARE IN KILOGRAMM

PART NUMBER / DWG NO.:

KM007

	NAME	SIGNATURE	DATE	REVISION
DRAWN	M.Rebase		10.12.2014	
APPV'D				

DESCRIPTION:

Carousel METEOR

F



Tiptiptap OÜ

Tiptiptap OÜ
Veetorni 9,
Jüri alevik, Rae vald,
75301 Harjumaa

MATERIAL:

metal, plastic

A4

WEIGHT:

SCALE: 1:10

SHEET 1 OF 5

safety area

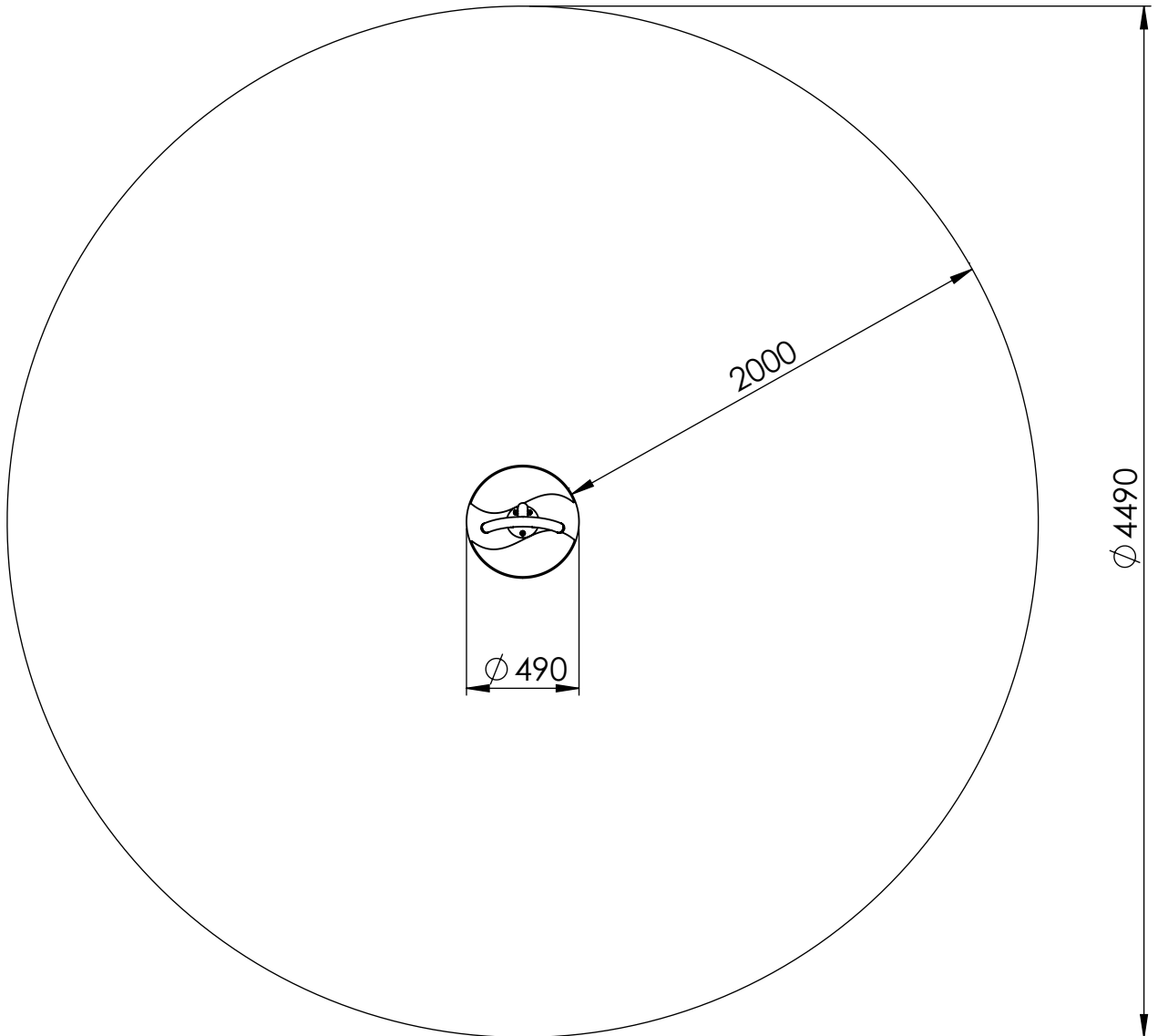
A

B

C

D

E



UNLESS OTHERWISE SPECIFIED:
 DIMENSIONS ARE IN MILLIMETERS
 WEIGHT ARE IN KILOGRAMM

PART NUMBER / DWG NO.: **KM007**

	NAME	SIGNATURE	DATE	REVISION
DRAWN	M.Rebase		10.12.2014	
APPV'D				

DESCRIPTION: **Carousel METEOR**


Tiptaptap OÜ
 Veetorni 9,
 Jüri alevik, Rae vald,
 75301 Harjumaa

MATERIAL:	metal, plastic	A4
WEIGHT:	SCALE: 1:30	SHEET 2 OF 5

foundation

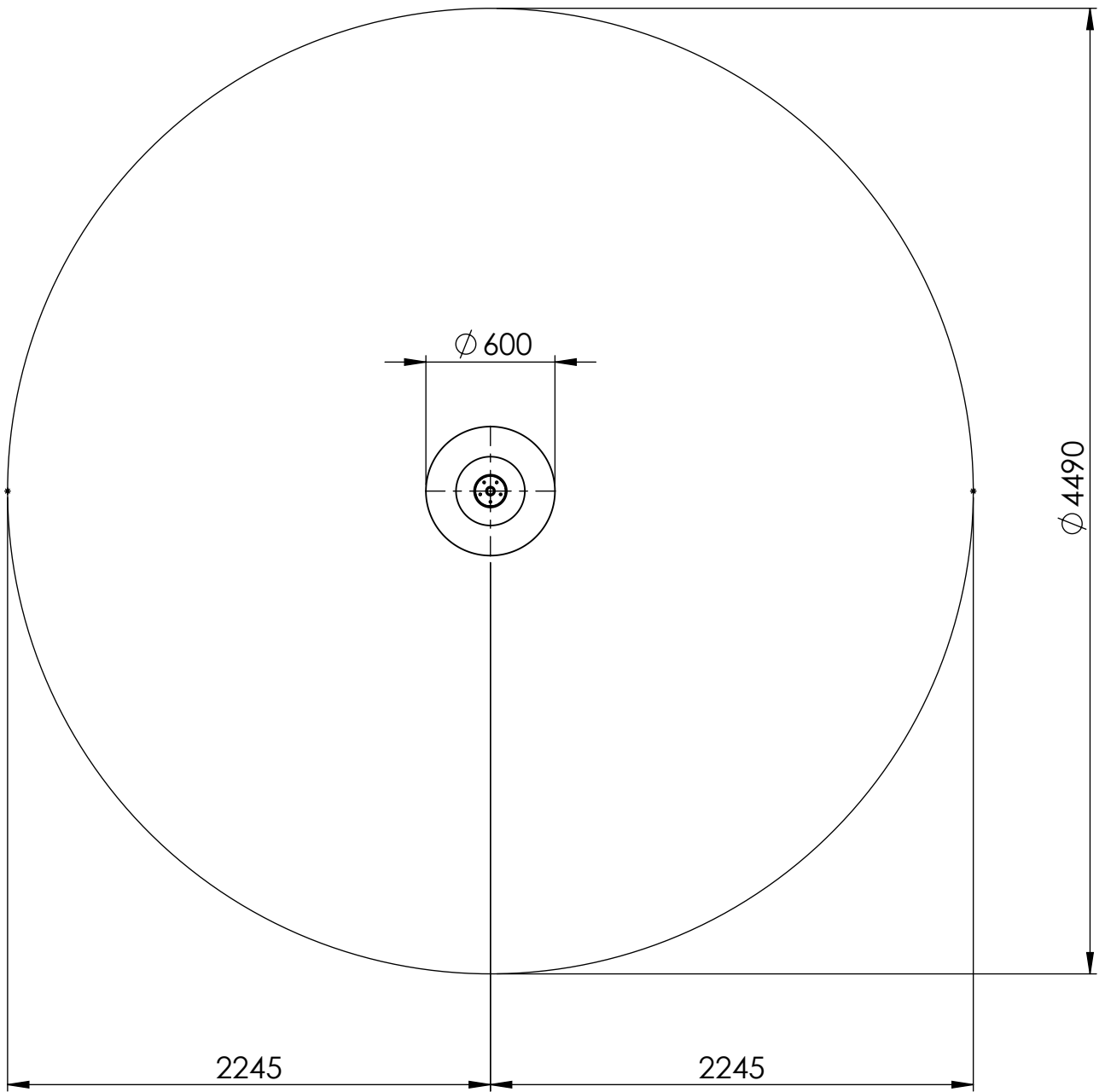
A

B

C

D

E



depth of foundation 600mm

UNLESS OTHERWISE SPECIFIED:
DIMENSIONS ARE IN MILLIMETERS
WEIGHT ARE IN KILOGRAMM

PART NUMBER / DWG NO.:

KM007

	NAME	SIGNATURE	DATE	REVISION
DRAWN	M.Rebase		10.12.2014	
APPV'D				

DESCRIPTION:

Carousel METEOR



Tiptaptap OÜ

Tiptaptap OÜ
Veetorni 9,
Jüri alevik, Rae vald,
75301 Harjumaa

MATERIAL:

metal, plastic

A4

WEIGHT:

SCALE: 1:30

SHEET 3 OF 5

F

A

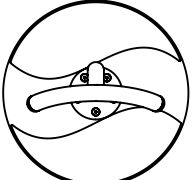
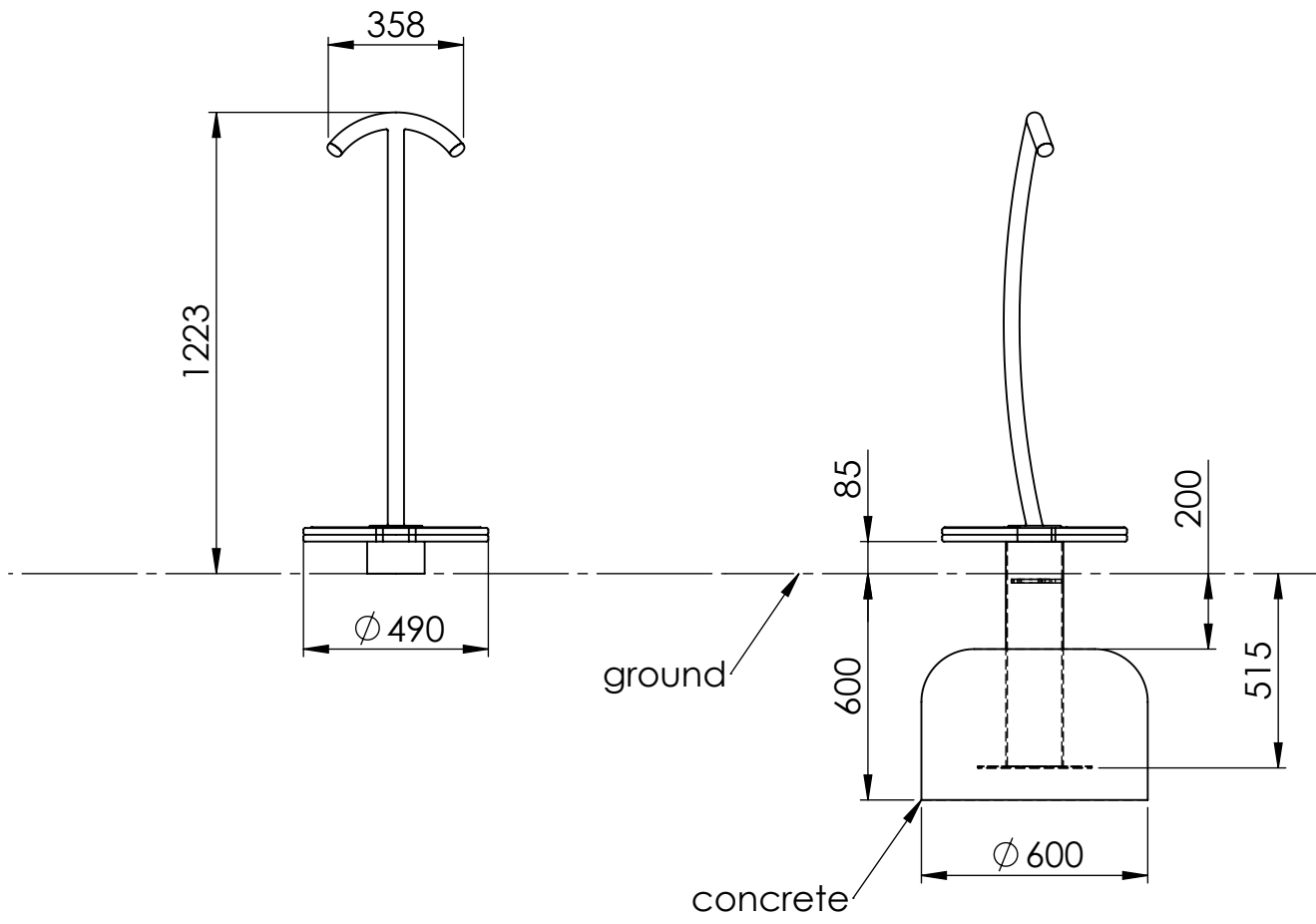
B

C

D

E

F



UNLESS OTHERWISE SPECIFIED:
DIMENSIONS ARE IN MILLIMETERS
WEIGHT ARE IN KILOGRAMM

	NAME	SIGNATURE	DATE	REVISION
DRAWN	M.Rebase		10.12.2014	
APPV'D				

PART NUMBER / DWG NO.:
KM007

DESCRIPTION:
Carousel METEOR



Tiptaptap OÜ
Veetorni 9,
Jüri alevik, Rae vald,
75301 Harjumaa

MATERIAL:	metal, plastic	A4
WEIGHT:	SCALE: 1:20	SHEET 4 OF 5

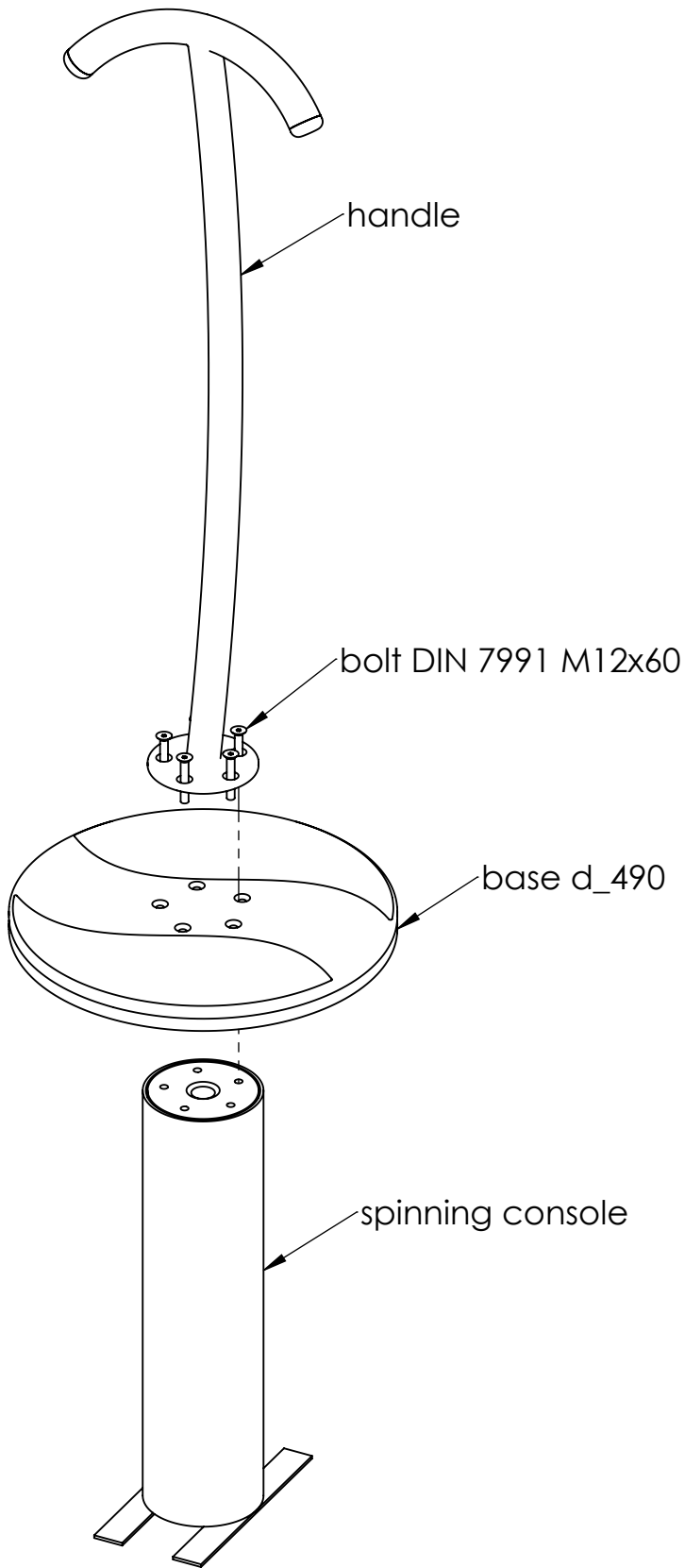
A

B

C

D

E



UNLESS OTHERWISE SPECIFIED:
 DIMENSIONS ARE IN MILLIMETERS
 WEIGHT ARE IN KILOGRAMM

PART NUMBER / DWG NO.:

KM007

	NAME	SIGNATURE	DATE	REVISION
DRAWN	M.Rebase		10.12.2014	
APPV'D				

DESCRIPTION:

Carousel METEOR



Tiptaptap OÜ

Tiptaptap OÜ
 Veetorni 9,
 Jüri alevik, Rae vald,
 75301 Harjumaa

MATERIAL:

metal, plastic

A4

WEIGHT:

SCALE: 1:9

SHEET 5 OF 5