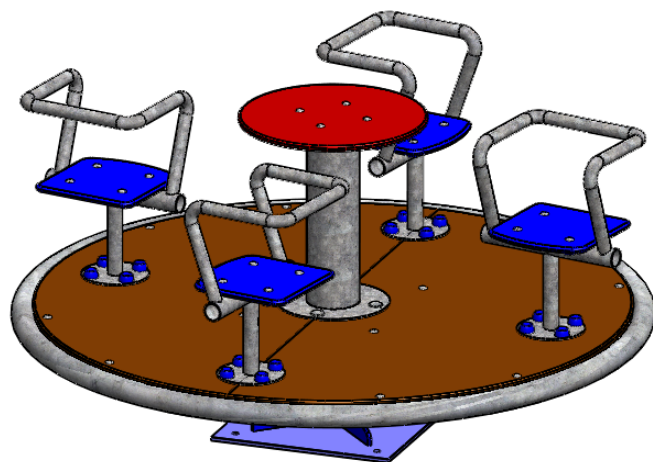


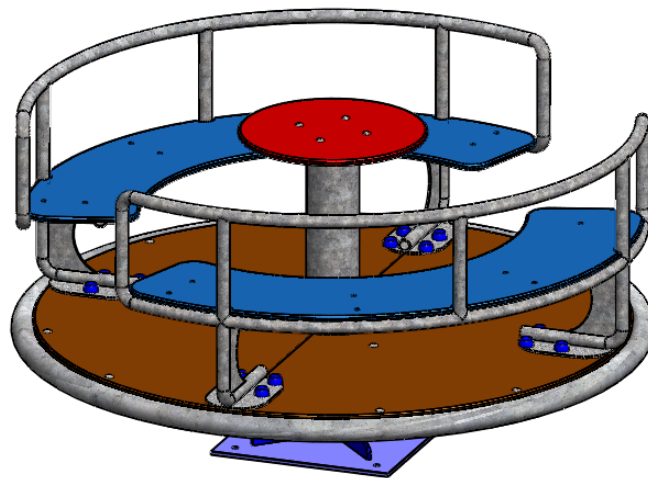
A



B

C

D



E

F

UNLESS OTHERWISE SPECIFIED:  
 DIMENSIONS ARE IN MILLIMETERS  
 WEIGHT ARE IN KILOGRAMM

PART NUMBER / DWG NO.:

KM001 and KM002

	NAME	SIGNATURE	DATE	REVISION
DRAWN			29.10.2012	
APPV'D				

DESCRIPTION:

Carousel SUN WHEEL and MOON CIRCLE installation manual



**Tiptiptap** OÜ

Tiptiptap OÜ  
 Veetorni 9,  
 Jüri alevik, Rae vald,  
 75301 Harjumaa

MATERIAL:

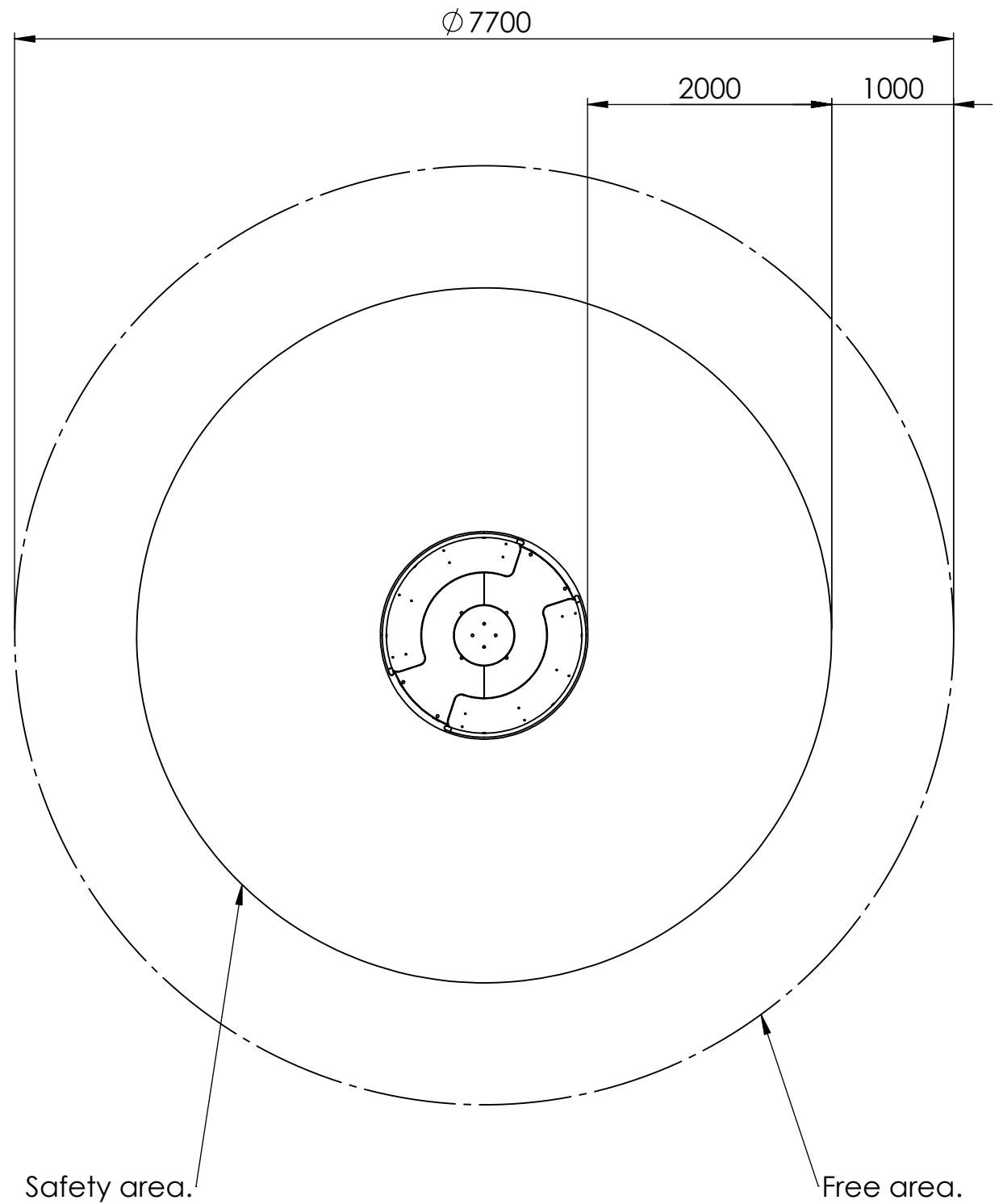
wood, metal, plastic

A4

WEIGHT:

SCALE: 1:20

SHEET 1 OF 6



A  
B  
C  
D  
E

Safety area.

Free area.

UNLESS OTHERWISE SPECIFIED: DIMENSIONS ARE IN MILLIMETERS WEIGHT ARE IN KILOGRAMM				
	NAME	SIGNATURE	DATE	REVISION
DRAWN			29.10.2012	
APPV'D				

PART NUMBER / DWG NO.:	
KM001 and KM002	
DESCRIPTION:	
Safety area.	


**Tiptaptap** OÜ  
 Veetorni 9,  
 Jüri alevik, Rae vald,  
 75301 Harjumaa

MATERIAL:	wood, metal, plastic	A4
WEIGHT:	SCALE: 1:50	SHEET 2 OF 6

1

2

3

4

A

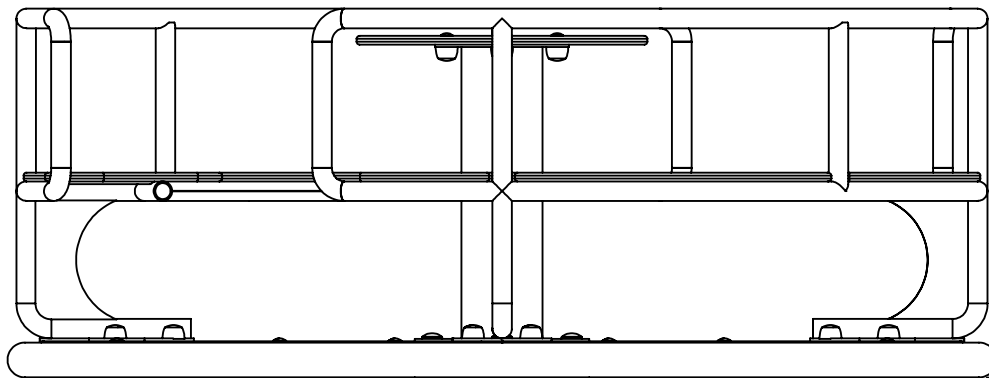
B

C

D

E

F



Ground level

730

200

80

500

Concrete

UNLESS OTHERWISE SPECIFIED:  
DIMENSIONS ARE IN MILLIMETERS  
WEIGHT ARE IN KILOGRAMM

PART NUMBER / DWG NO.:

KM001 and KM002

	NAME	SIGNATURE	DATE	REVISION
DRAWN			29.10.2012	
APPV'D				

DESCRIPTION:

Side view.

MATERIAL:

wood, metal, plastic

A4

WEIGHT:

SCALE: 1:13

SHEET 3 OF 6



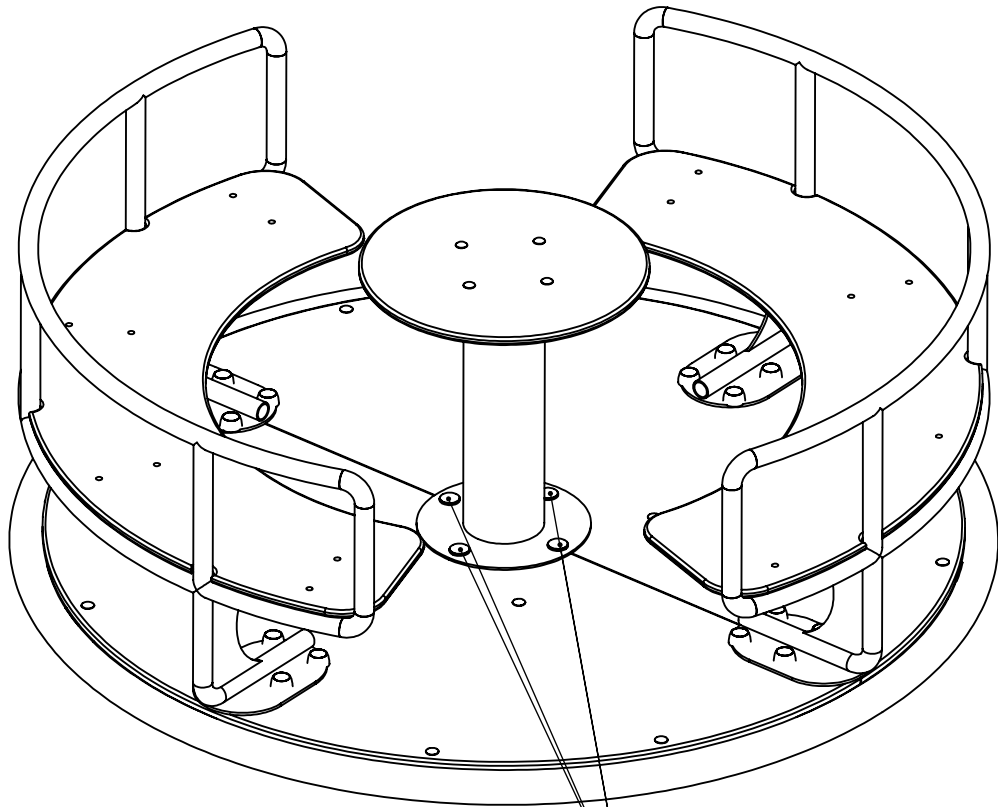
**Tiptiptap** OÜ

Tiptiptap OÜ  
Veetorni 9,  
Jüri alevik, Rae vald,  
75301 Harjumaa

A

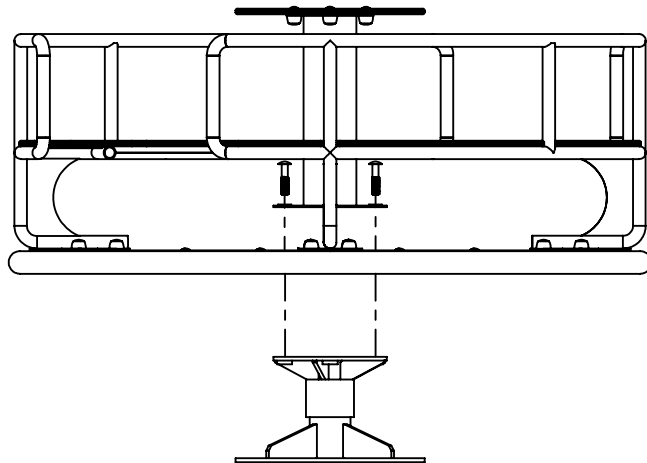
B

C



First disassemble carousel by removing this screws.

D



E

F

UNLESS OTHERWISE SPECIFIED:  
DIMENSIONS ARE IN MILLIMETERS  
WEIGHT ARE IN KILOGRAMM

PART NUMBER / DWG NO.:

**KM001 and KM002**

	NAME	SIGNATURE	DATE	REVISION
DRAWN			29.10.2012	
APPV'D				

DESCRIPTION:

Carousel preparing for installation.



**Tiptaptap** OÜ

Tiptaptap OÜ  
Veetorni 9,  
Jüri alevik, Rae vald,  
75301 Harjumaa

MATERIAL:

wood, metal, plastic

A4

WEIGHT:

SCALE: 1:13

SHEET 4 OF 6

A

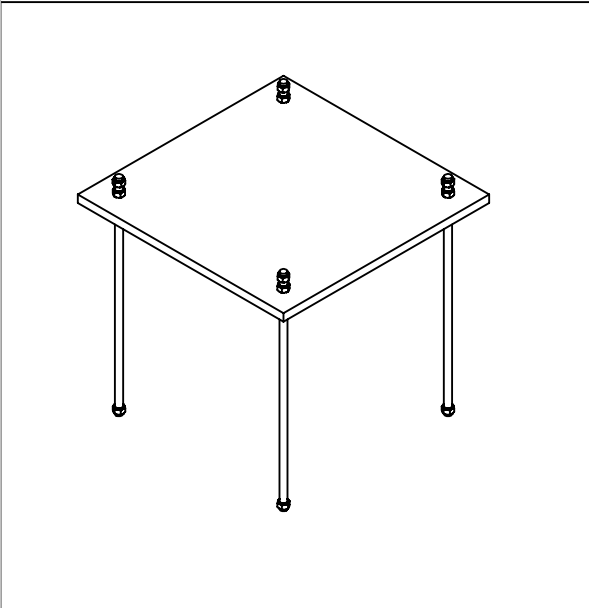
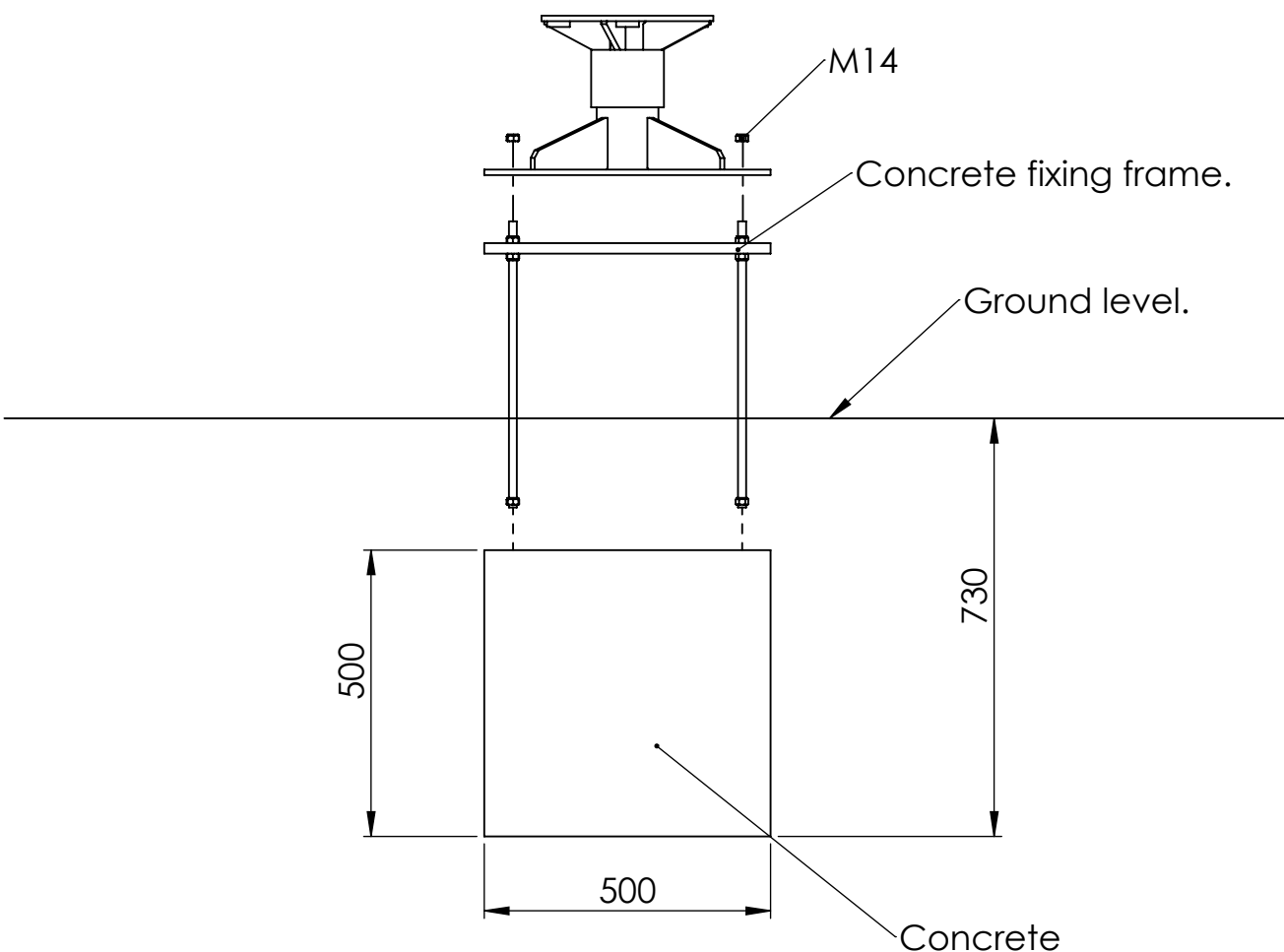
B

C

D

E

F



UNLESS OTHERWISE SPECIFIED:  
DIMENSIONS ARE IN MILLIMETERS  
WEIGHT ARE IN KILOGRAMM

	NAME	SIGNATURE	DATE	REVISION
DRAWN			29.10.2012	
APPV'D				

PART NUMBER / DWG NO.:		<b>KM001 and KM002</b>	
DESCRIPTION:			
<b>Concreting the foundation.</b>			



**Tiptaptap** OÜ  
Veetorni 9,  
Jüri alevik, Rae vald,  
75301 Harjumaa

MATERIAL:	wood, metal, plastic	A4
WEIGHT:	SCALE: 1:13	SHEET 5 OF 6

A

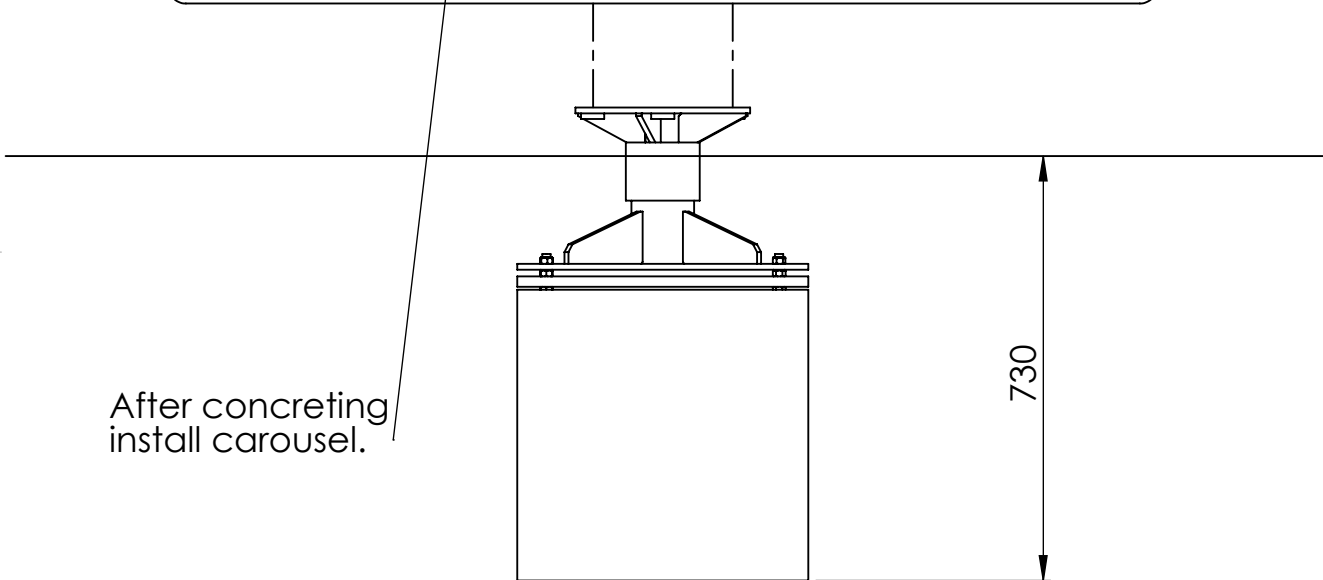
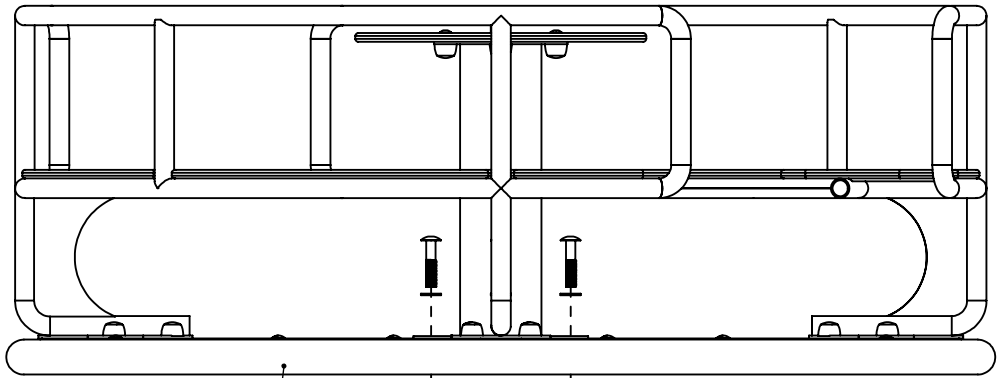
B

C

D

E

F



After concreting  
install carousel.

730

UNLESS OTHERWISE SPECIFIED:  
DIMENSIONS ARE IN MILLIMETERS  
WEIGHT ARE IN KILOGRAMM

PART NUMBER / DWG NO.:

**KM001 and KM002**

	NAME	SIGNATURE	DATE	REVISION
DRAWN			29.10.2012	
APPV'D				

DESCRIPTION:

Installation finishing.



**Tiptaptap** OÜ

Tiptaptap OÜ  
Veetorni 9,  
Jüri alevik, Rae vald,  
75301 Harjumaa

MATERIAL:

wood, metal, plastic

A4

WEIGHT:

SCALE: 1:13

SHEET 6 OF 6