

A

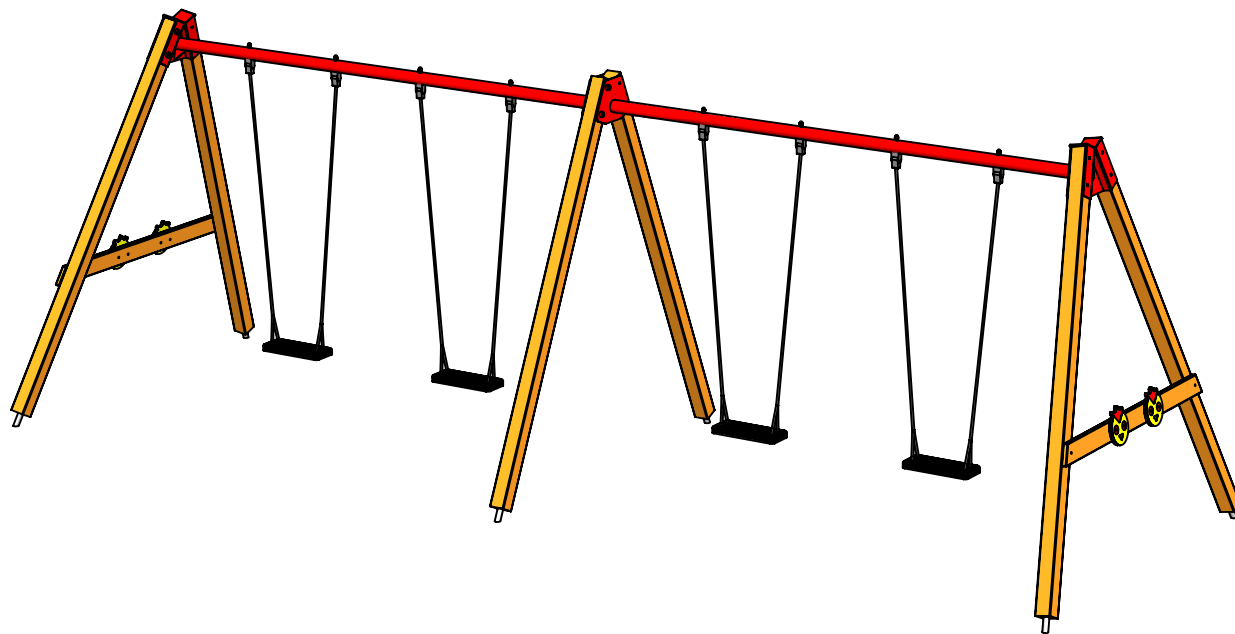
B

C

D

E

F



UNLESS OTHERWISE SPECIFIED:
DIMENSIONS ARE IN MILLIMETERS
WEIGHT ARE IN KILOGRAMM

Lekplatsgrossisten.se

PART NUMBER / DWG NO.:

K117

	NAME	SIGNATURE	DATE	REVISION
DRAWN	M. Rebase		18.07.2014	
APPV'D				

DESCRIPTION:

Swing construction BABY BIRD 4 places



Tiptaptap OÜ

Tiptaptap OÜ
Veetorni 9,
Jüri alevik, Rae vald,
75301 Harjumaa

MATERIAL:

metal, plastic

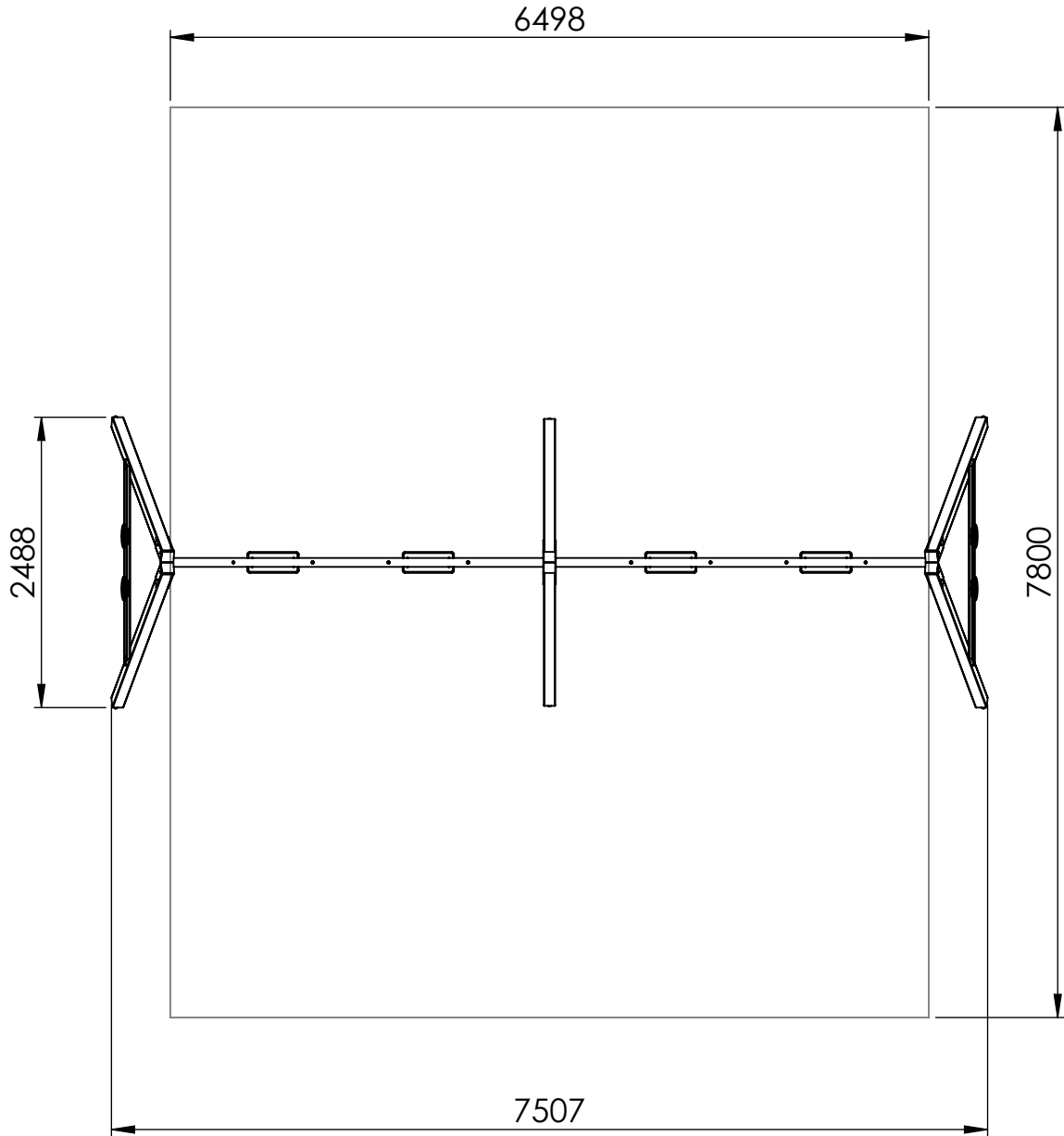
A4

WEIGHT:

SCALE: 1:40

SHEET 1 OF 10

safety area



UNLESS OTHERWISE SPECIFIED:
DIMENSIONS ARE IN MILLIMETERS
WEIGHT ARE IN KILOGRAMM

Lekplatsgrossisten.se

PART NUMBER / DWG NO.:

K117

	NAME	SIGNATURE	DATE	REVISION
DRAWN	M. Rebase		18.07.2014	
APPV'D				

DESCRIPTION:

Swing construction BABY BIRD 4 places



Tiptaptap OÜ

Tiptaptap OÜ
Veetorni 9,
Jüri alevik, Rae vald,
75301 Harjumaa

MATERIAL:

metal, plastic

A4

WEIGHT:

SCALE: 1:60

SHEET 2 OF 10

foundation

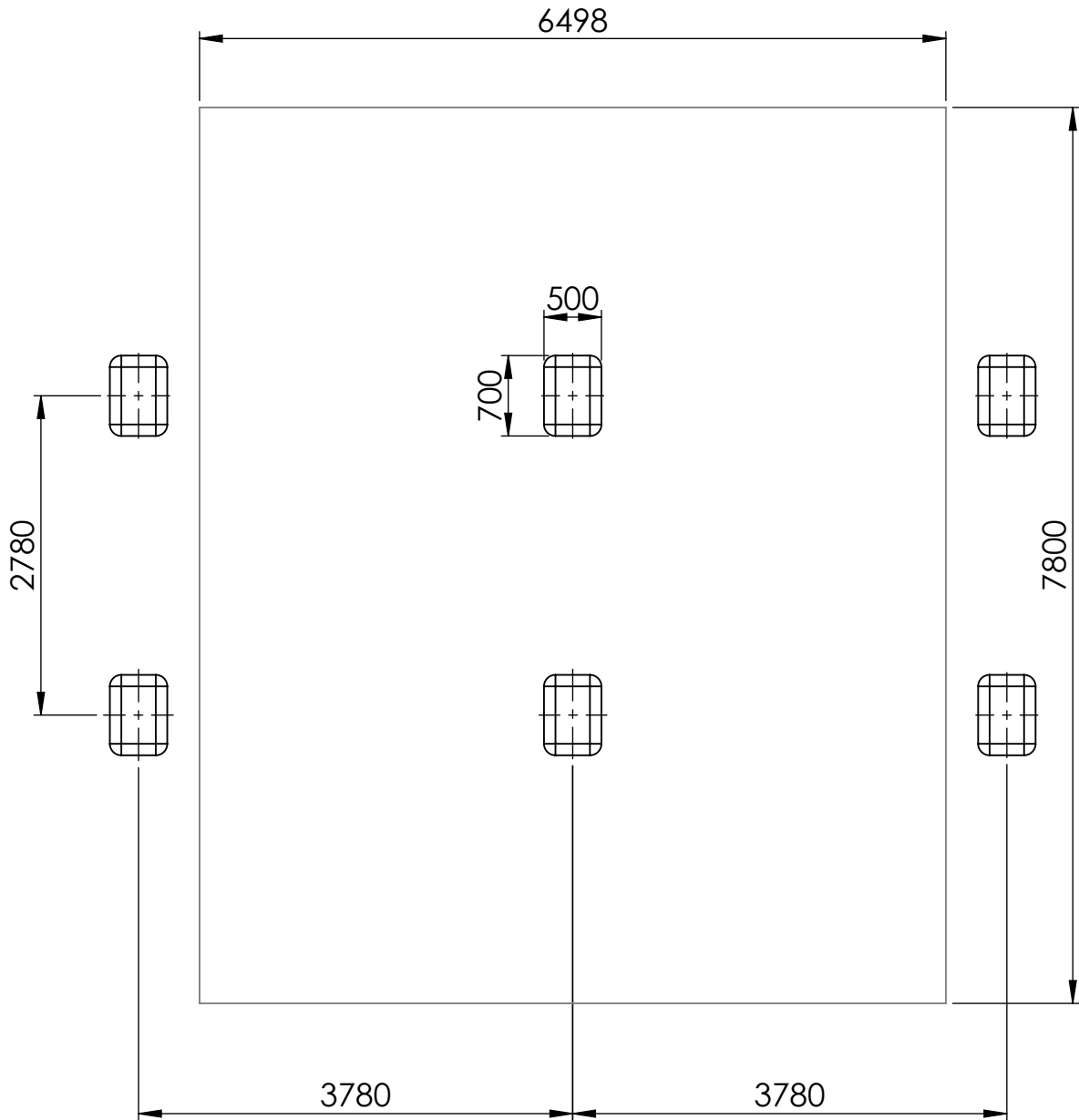
A

B

C

D

E



depth of foundation 600mm

UNLESS OTHERWISE SPECIFIED:
DIMENSIONS ARE IN MILLIMETERS
WEIGHT ARE IN KILOGRAMM

Lekplatsgrossisten.se

PART NUMBER / DWG NO.:

K117

	NAME	SIGNATURE	DATE	REVISION
DRAWN	M. Rebase		18.07.2014	
APPV'D				

DESCRIPTION:

Swing construction BABY BIRD 4 places



Tiptap OÜ

Tiptap OÜ
Veetorni 9,
Jüri alevik, Rae vald,
75301 Harjumaa

MATERIAL:

metal, plastic

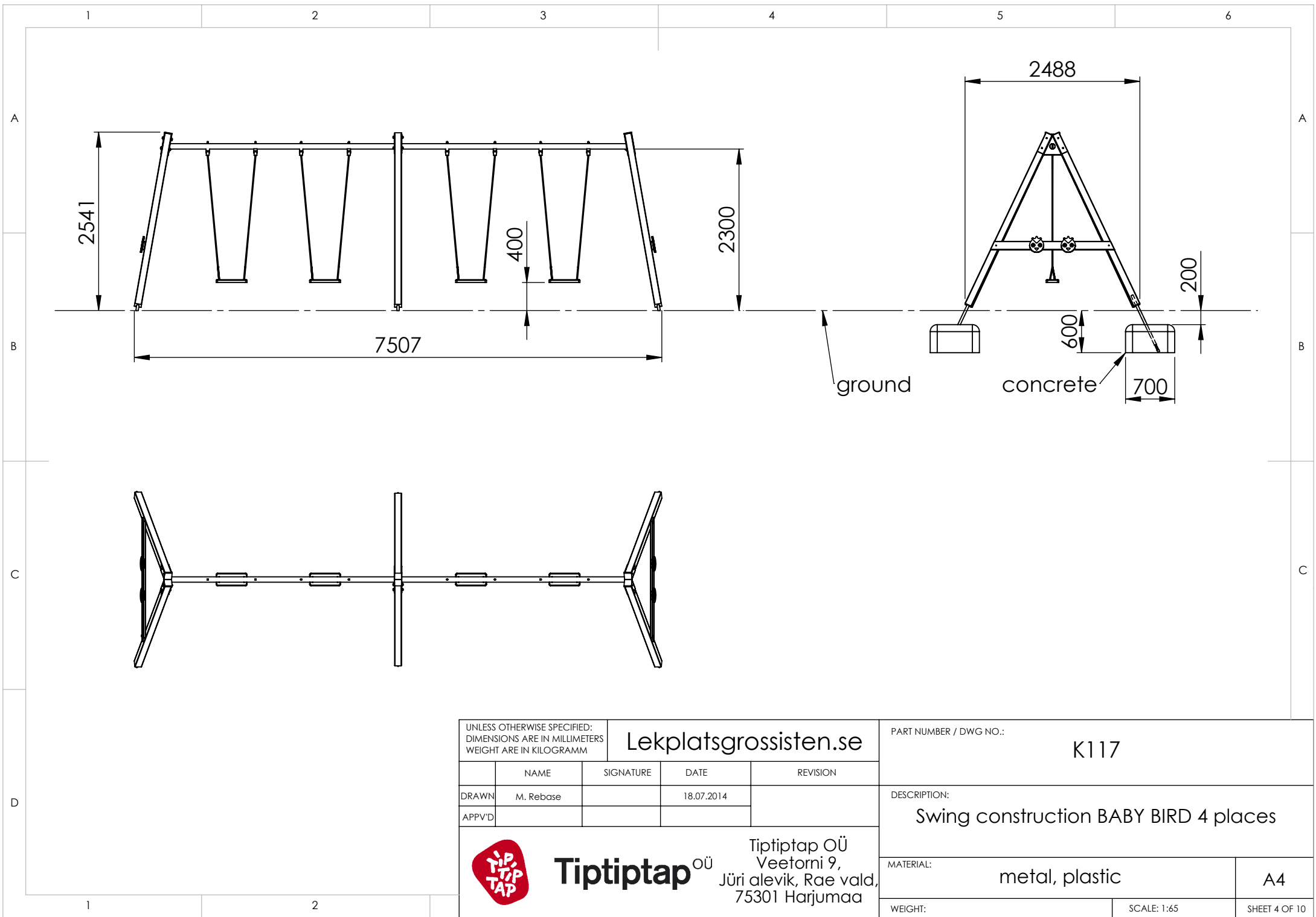
A4


WEIGHT:

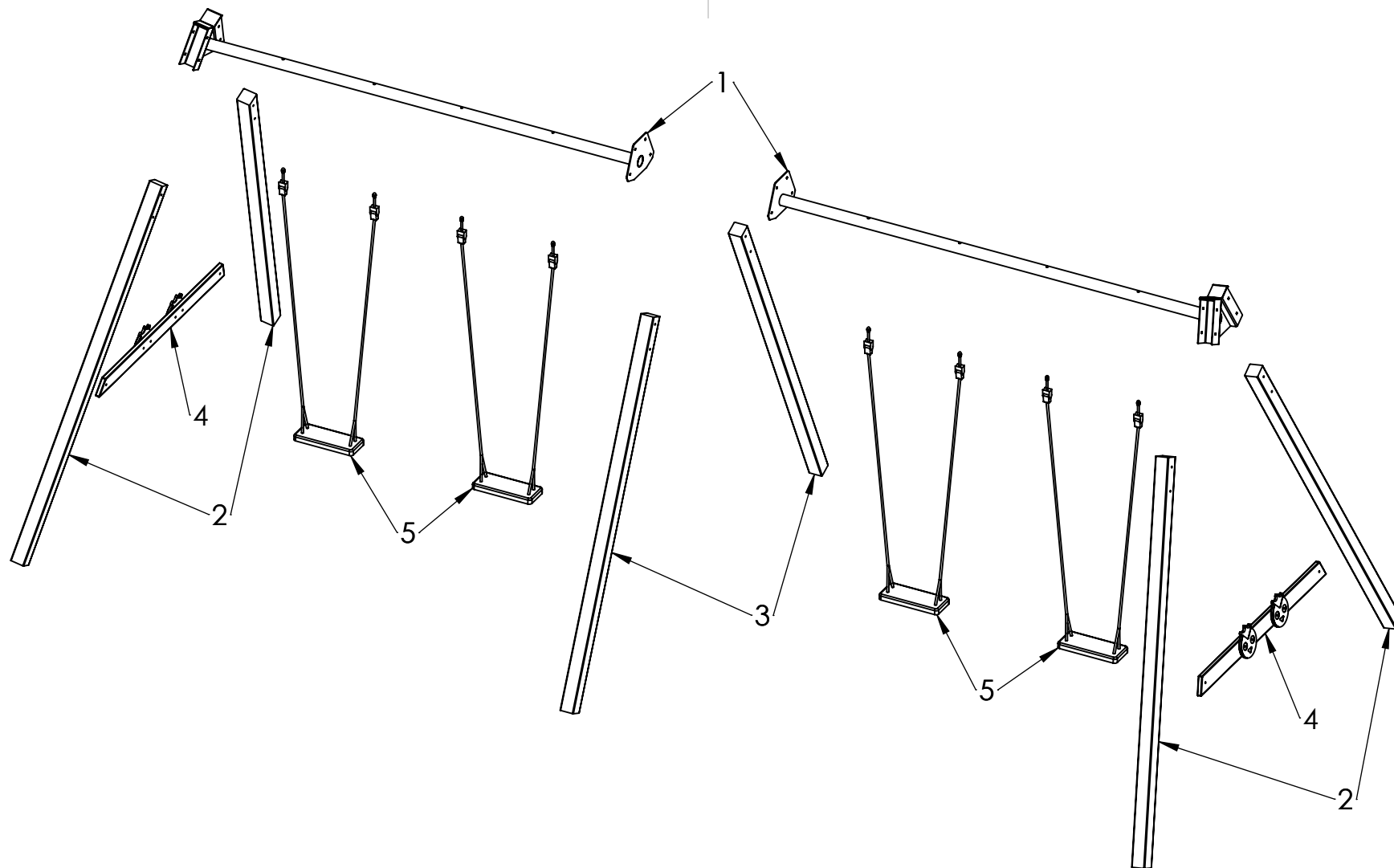
SCALE: 1:60

SHEET 3 OF 10

F



UNLESS OTHERWISE SPECIFIED: DIMENSIONS ARE IN MILLIMETERS WEIGHT ARE IN KILOGRAMM		Lekplatsgrossisten.se			PART NUMBER / DWG NO.: K117	
	NAME	SIGNATURE	DATE	REVISION	DESCRIPTION: Swing construction BABY BIRD 4 places	
DRAWN	M. Rebase		18.07.2014			
APPV'D						
 Tiptaptap OÜ Veetorni 9, Jüri alevik, Rae vald, 75301 Harjumaa		Tiptaptap OÜ Veetorni 9, Jüri alevik, Rae vald, 75301 Harjumaa			MATERIAL: metal, plastic	A4
WEIGHT:					SCALE: 1:65	SHEET 4 OF 10



UNLESS OTHERWISE SPECIFIED:
DIMENSIONS ARE IN MILLIMETERS
WEIGHT ARE IN KILOGRAMM

Lekplatsgrossisten.se

PART NUMBER / DWG NO.:

K117

	NAME	SIGNATURE	DATE	REVISION
DRAWN	M. Rebase		18.07.2014	
APPV'D				

DESCRIPTION:

Swing construction BABY BIRD 4 places

MATERIAL:

metal, plastic

A4

WEIGHT:

SCALE: 1:40

SHEET 5 OF 10



Tiptaptap OÜ

Tiptaptap OÜ
Veetorni 9,
Jüri alevik, Rae vald,
75301 Harjumaa

ITEM NO.	PART NUMBER	DESCRIPTION	QTY.
1	beam 76x3050	galvanized painted steel	2
2	post 98x98x2720	laminated wood	4
3	post 98x98x2695	laminated wood	2
4	board 30x120x1770	laminated wood	2
5	seat complete with fittings	rubber compound with aluminium insert	4

A

B

C

D

E

F

UNLESS OTHERWISE SPECIFIED:
DIMENSIONS ARE IN MILLIMETERS
WEIGHT ARE IN KILOGRAMM

Lekplatsgrossisten.se

PART NUMBER / DWG NO.:

K117

	NAME	SIGNATURE	DATE	REVISION
DRAWN	M. Rebase		18.07.2014	
APPV'D				

DESCRIPTION:

Swing construction BABY BIRD 4 places



Tiptaptap OÜ

Tiptaptap OÜ
Veetorni 9,
Jüri alevik, Rae vald,
75301 Harjumaa

MATERIAL:

metal, plastic

A4

WEIGHT:

SCALE: 1:40

SHEET 6 OF 10

A

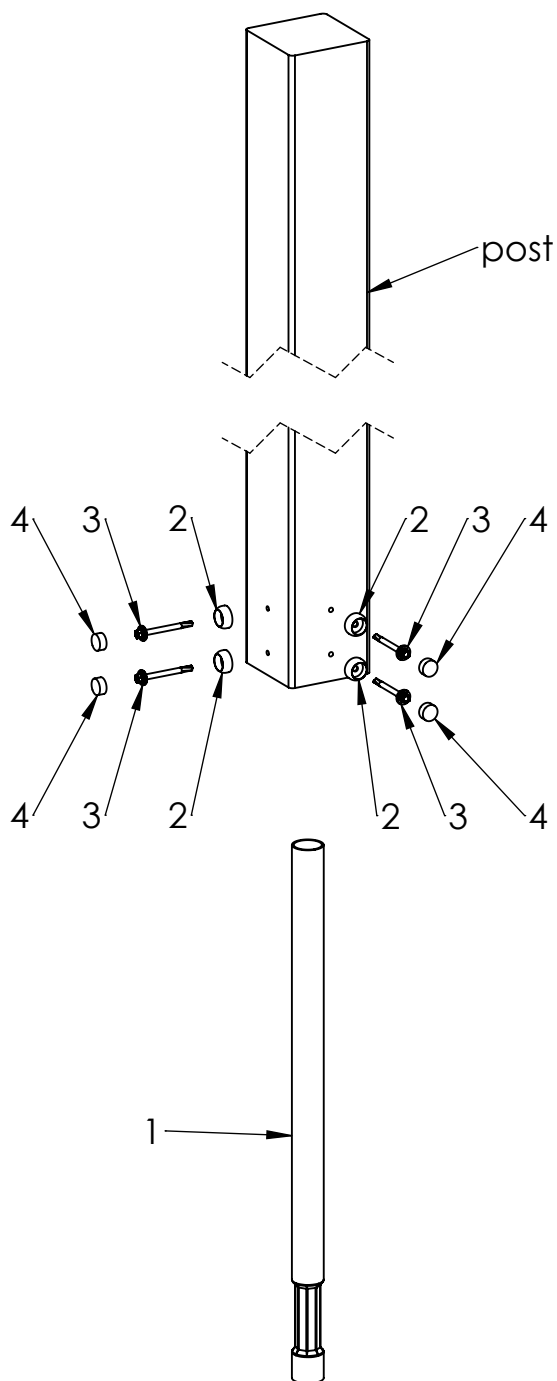
B

C

D

E

F



ITEM NO.	PART NUMBER
1	metal ground fixing L_900
2	nut cover M6
3	screw DIN7504K 5,5x68
4	nut cover cap M6

UNLESS OTHERWISE SPECIFIED:
DIMENSIONS ARE IN MILLIMETERS
WEIGHT ARE IN KILOGRAMM

Lekplatsgrossisten.se

PART NUMBER / DWG NO.:

K117

	NAME	SIGNATURE	DATE	REVISION
DRAWN	M. Rebase		18.07.2014	
APPV'D				

DESCRIPTION:

Swing construction BABY BIRD 4 places
connecting metal ground fixing to post



Tiptaptap OÜ

Tiptaptap OÜ
Veetorni 9,
Jüri alevik, Rae vald,
75301 Harjumaa

MATERIAL:

metal, plastic

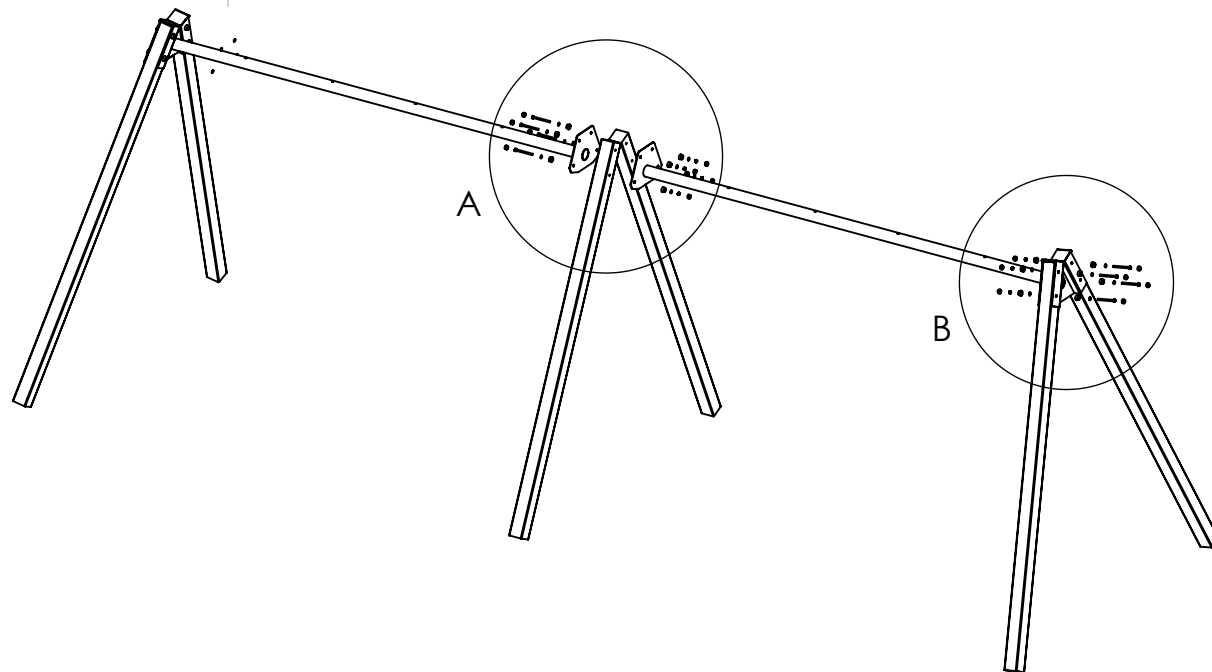
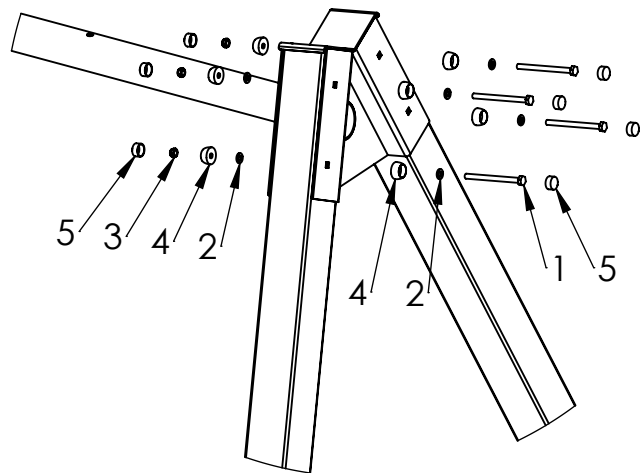
A4

WEIGHT:

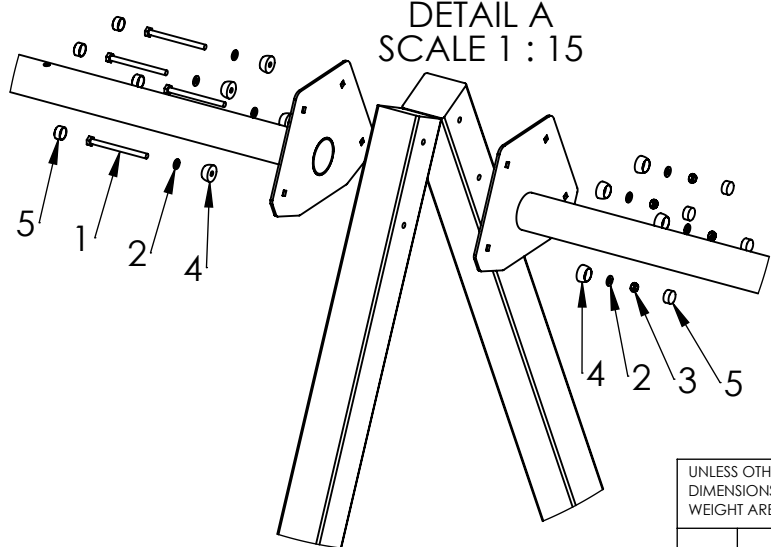
SCALE: 1:8

SHEET 7 OF 10

DETAIL B
SCALE 1 : 15



DETAIL A
SCALE 1 : 15



ITEM NO.	PART NUMBER
1	bolt DIN931 M10x130
2	washer M10
3	nut DIN985 M10
4	nut cover M10
5	nut cover cap M10

UNLESS OTHERWISE SPECIFIED:
DIMENSIONS ARE IN MILLIMETERS
WEIGHT ARE IN KILOGRAMM

Lekplatsgrossisten.se

PART NUMBER / DWG NO.:

K117

	NAME	SIGNATURE	DATE	REVISION
DRAWN	M. Rebase		18.07.2014	
APPV'D				

DESCRIPTION:

Swing construction BABY BIRD 4 places



Tiptaptap OÜ

Tiptaptap OÜ
Veetorni 9,
Jüri alevik, Rae vald,
75301 Harjumaa

MATERIAL:

metal, plastic

A4

WEIGHT:

SCALE: 1:50

SHEET 8 OF 10

1 2 3 4 5 6

A

A

B

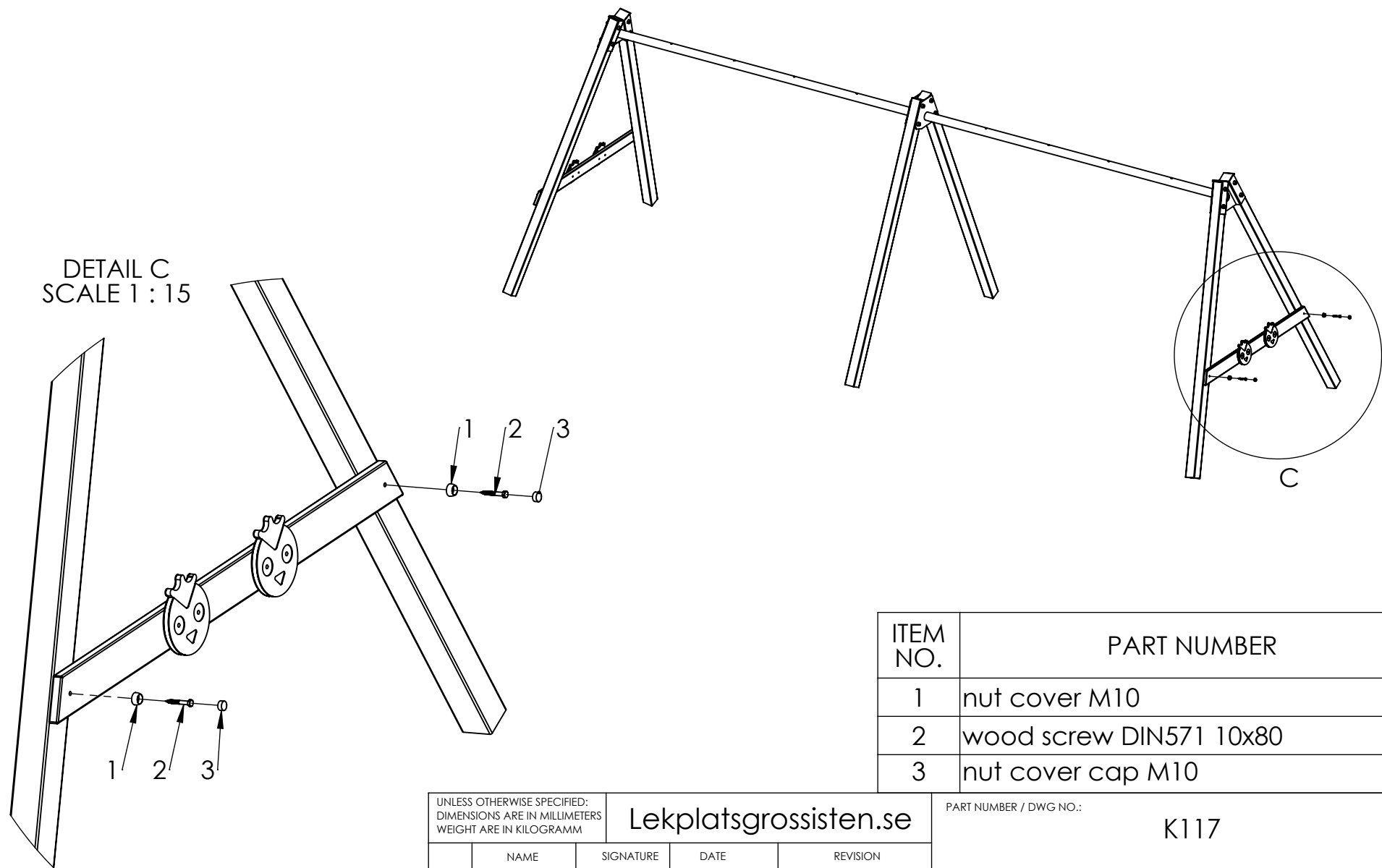
B

C

C


D

D



DETAIL C
SCALE 1 : 15

ITEM NO.	PART NUMBER
1	nut cover M10
2	wood screw DIN571 10x80
3	nut cover cap M10

UNLESS OTHERWISE SPECIFIED: DIMENSIONS ARE IN MILLIMETERS WEIGHT ARE IN KILOGRAMM		Lekplatsgrossisten.se			PART NUMBER / DWG NO.: K117	
	NAME	SIGNATURE	DATE	REVISION	DESCRIPTION: Swing construction BABY BIRD 4 places	
DRAWN	M. Rebase		18.07.2014			
APPV'D						
 Tiptap OÜ Veetorni 9, Jüri alevik, Rae vald, 75301 Harjumaa		MATERIAL:		metal, plastic		A4
		WEIGHT:		SCALE: 1:50		SHEET 9 OF 10

1 2

1 2 3 4 5 6

A

A

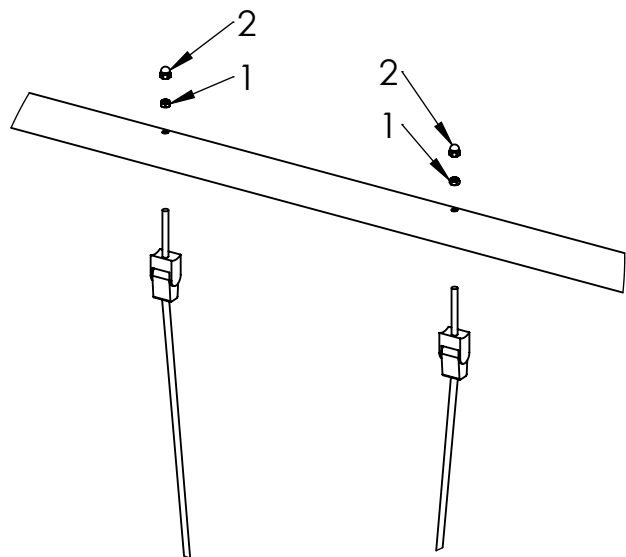
B

B

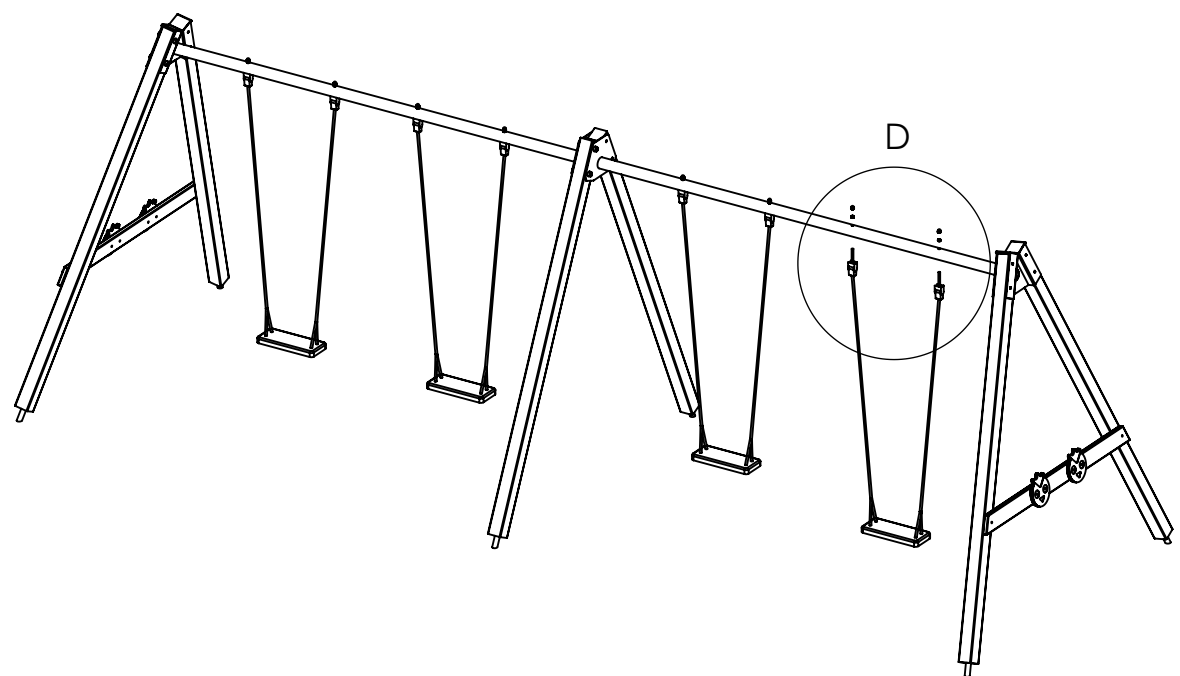
C

C


D



DETAIL D
SCALE 1 : 15



ITEM NO.	PART NUMBER
1	nut DIN985 M12
2	domed cap nut DIN1587 M12

UNLESS OTHERWISE SPECIFIED: DIMENSIONS ARE IN MILLIMETERS WEIGHT ARE IN KILOGRAMM		Lekplatsgrossisten.se			PART NUMBER / DWG NO.: K117		
	NAME	SIGNATURE	DATE	REVISION	DESCRIPTION: Swing construction BABY BIRD 4 places		
DRAWN	M. Rebase		18.07.2014				
APPV'D							
 Tiptaptap OÜ Veetorni 9, Jüri alevik, Rae vald, 75301 Harjumaa		MATERIAL:				metal, plastic	A4
		WEIGHT:				SCALE: 1:50	SHEET 10 OF 10

1 2