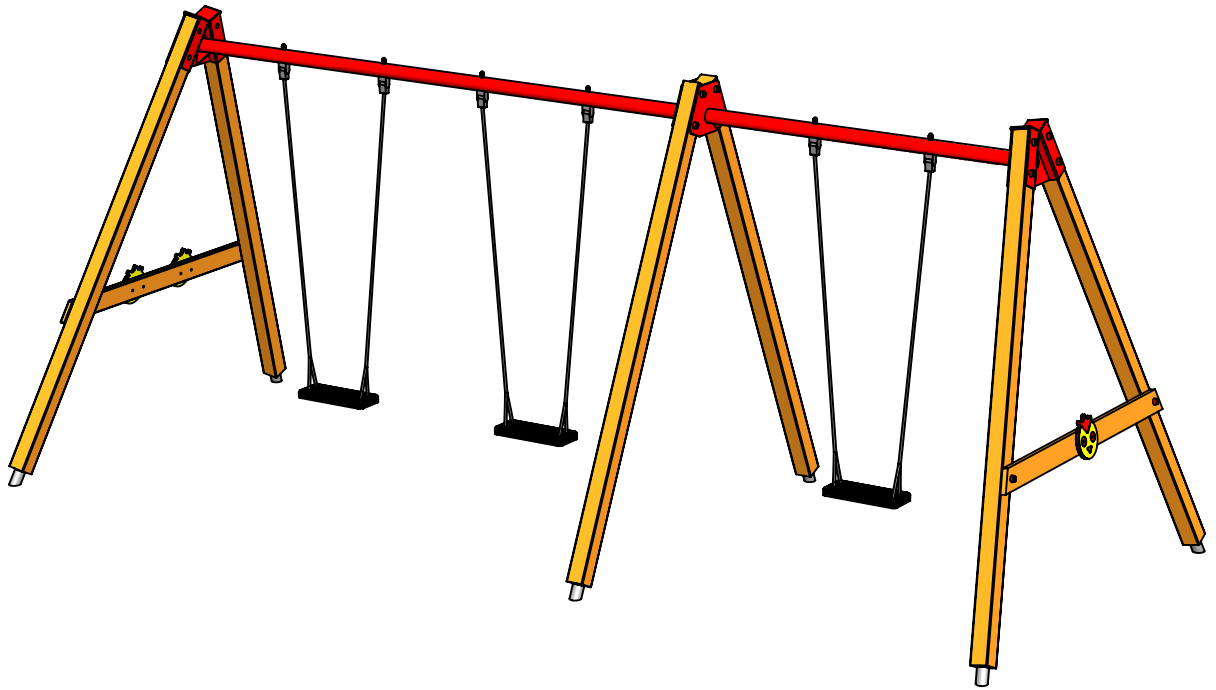


A
B
C
D
E
F



UNLESS OTHERWISE SPECIFIED: DIMENSIONS ARE IN MILLIMETERS WEIGHT ARE IN KILOGRAMM				
	NAME	SIGNATURE	DATE	REVISION
DRAWN	M.Rebase		17.05.2012	
APPV'D				

PART NUMBER / DWG NO.:
K116

DESCRIPTION:
Swing construction BABY BIRD 2 places


Tiptaptap OÜ
 Veetorni 9,
 Jüri alevik, Rae vald,
 75301 Harjumaa

MATERIAL:	wood, metal, plastic	A4
WEIGHT:	SCALE: 1:35	SHEET 1 OF 9

safety area

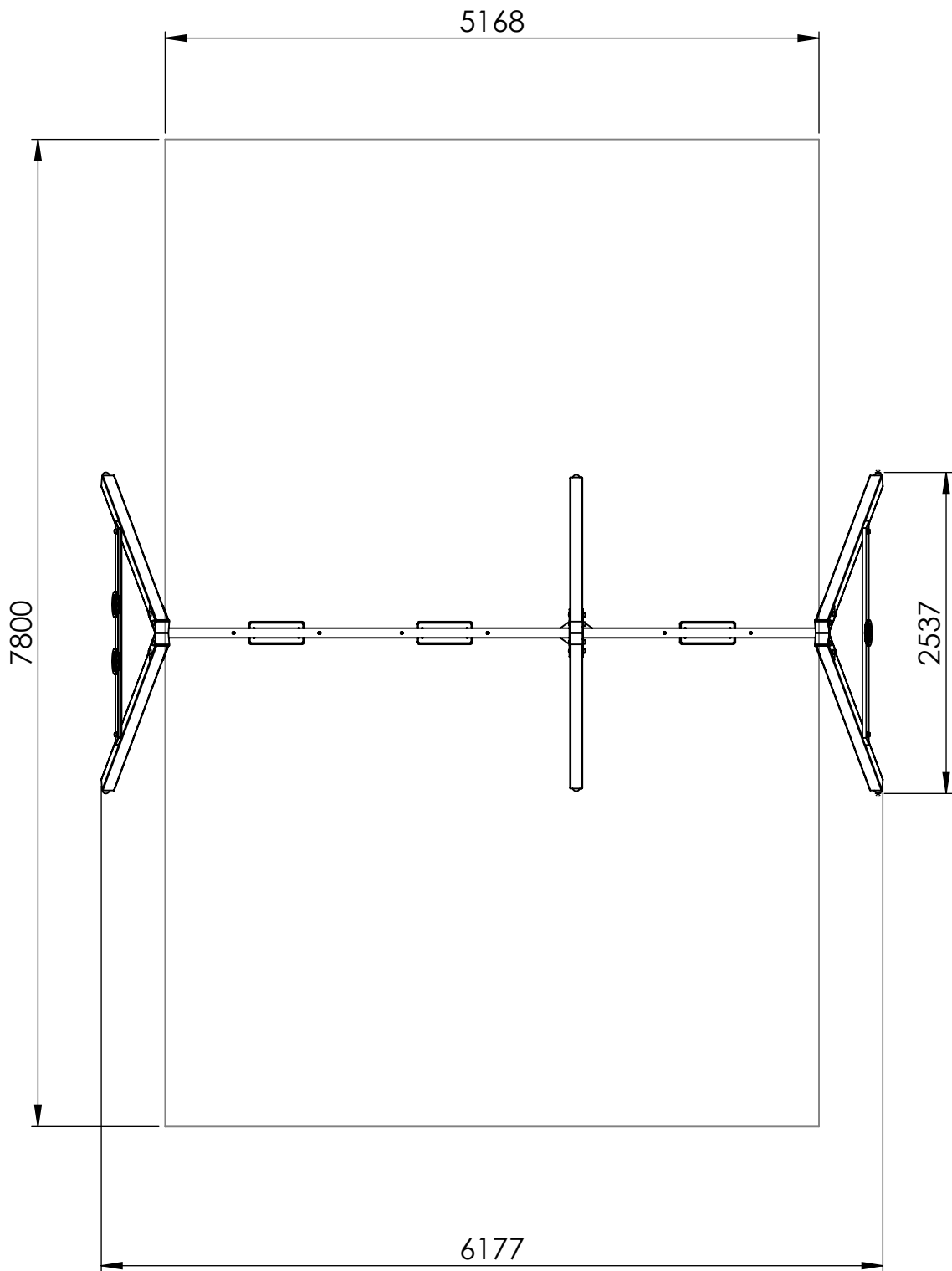
A

B

C

D

E



UNLESS OTHERWISE SPECIFIED:
DIMENSIONS ARE IN MILLIMETERS
WEIGHT ARE IN KILOGRAMM

PART NUMBER / DWG NO.:

K116

	NAME	SIGNATURE	DATE	REVISION
DRAWN	M.Rebase		17.05.2012	
APPV'D				

DESCRIPTION:

Swing construction BABY BIRD 2 places

F



Tiptaptap OÜ

Tiptaptap OÜ
Veetorni 9,
Jüri alevik, Rae vald,
75301 Harjumaa

MATERIAL:

wood, metal, plastic

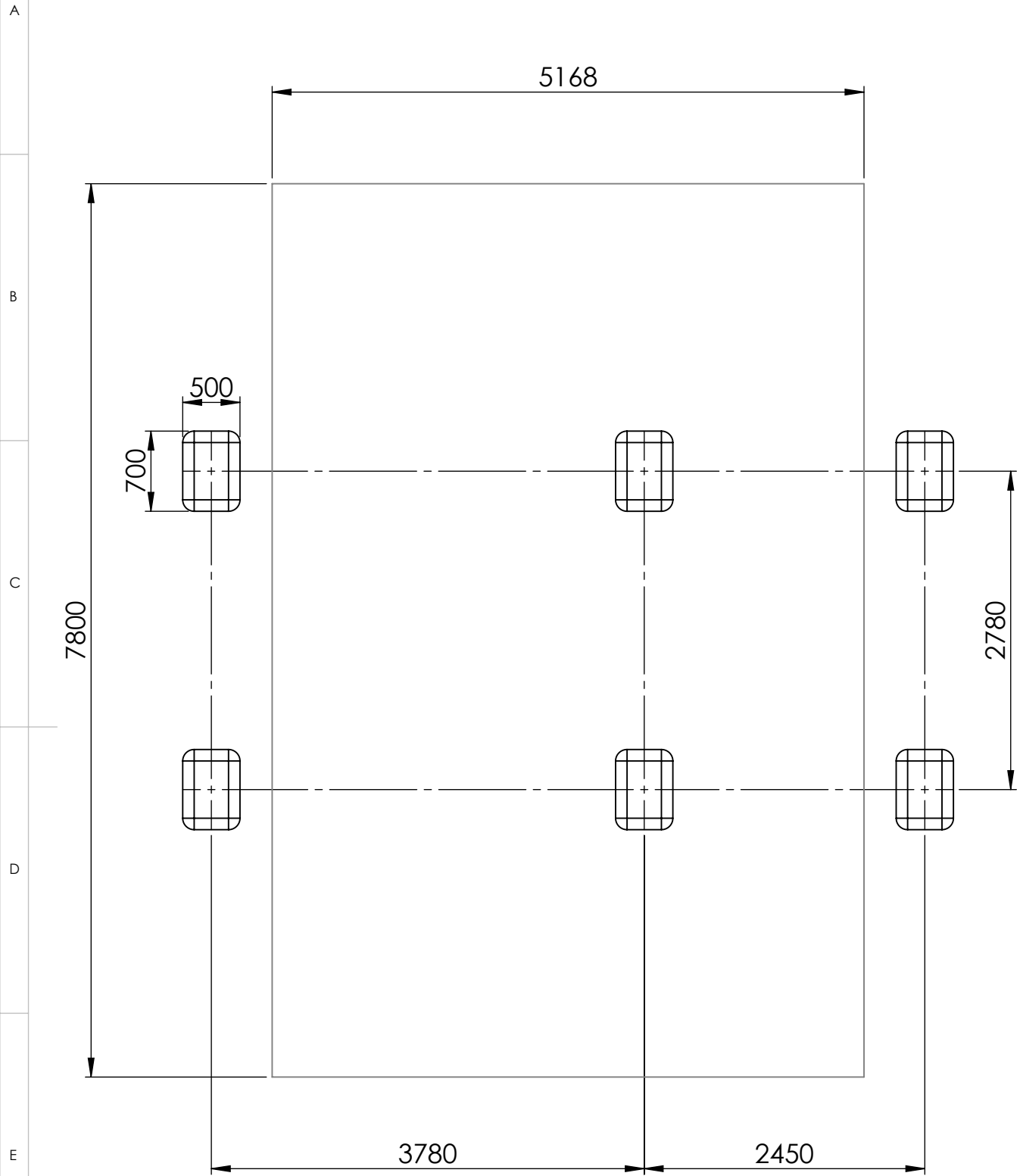
A4

WEIGHT:

SCALE: 1:50

SHEET 2 OF 9

foundation



UNLESS OTHERWISE SPECIFIED:
DIMENSIONS ARE IN MILLIMETERS
WEIGHT ARE IN KILOGRAMM

PART NUMBER / DWG NO.:

K116

	NAME	SIGNATURE	DATE	REVISION
DRAWN	M.Rebase		17.05.2012	
APPV'D				

DESCRIPTION:

Swing construction BABY BIRD 2 places



Tiptaptap OÜ

Tiptaptap OÜ
Veetorni 9,
Jüri alevik, Rae vald,
75301 Harjumaa

MATERIAL:

wood, metal, plastic

A4

WEIGHT:

SCALE: 1:50

SHEET 3 OF 9

A

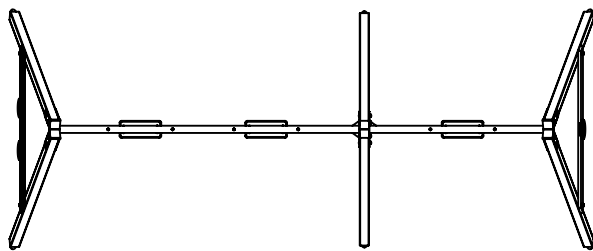
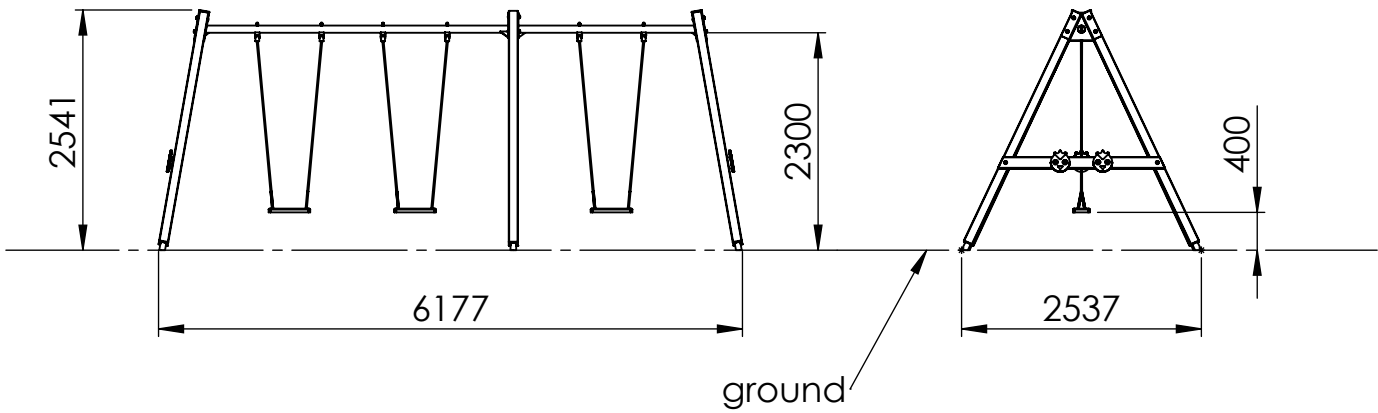
B

C

D

E

F



UNLESS OTHERWISE SPECIFIED:
 DIMENSIONS ARE IN MILLIMETERS
 WEIGHT ARE IN KILOGRAMM

PART NUMBER / DWG NO.:

K116

	NAME	SIGNATURE	DATE	REVISION
DRAWN	M.Rebase		17.05.2012	
APPV'D				

DESCRIPTION:

Swing construction BABY BIRD 2 places



Tiptaptap OÜ

Tiptaptap OÜ
 Veetorni 9,
 Jüri alevik, Rae vald,
 75301 Harjumaa

MATERIAL:

wood, metal, plastic

A4

WEIGHT:

SCALE: 1:80

SHEET 4 OF 9

A

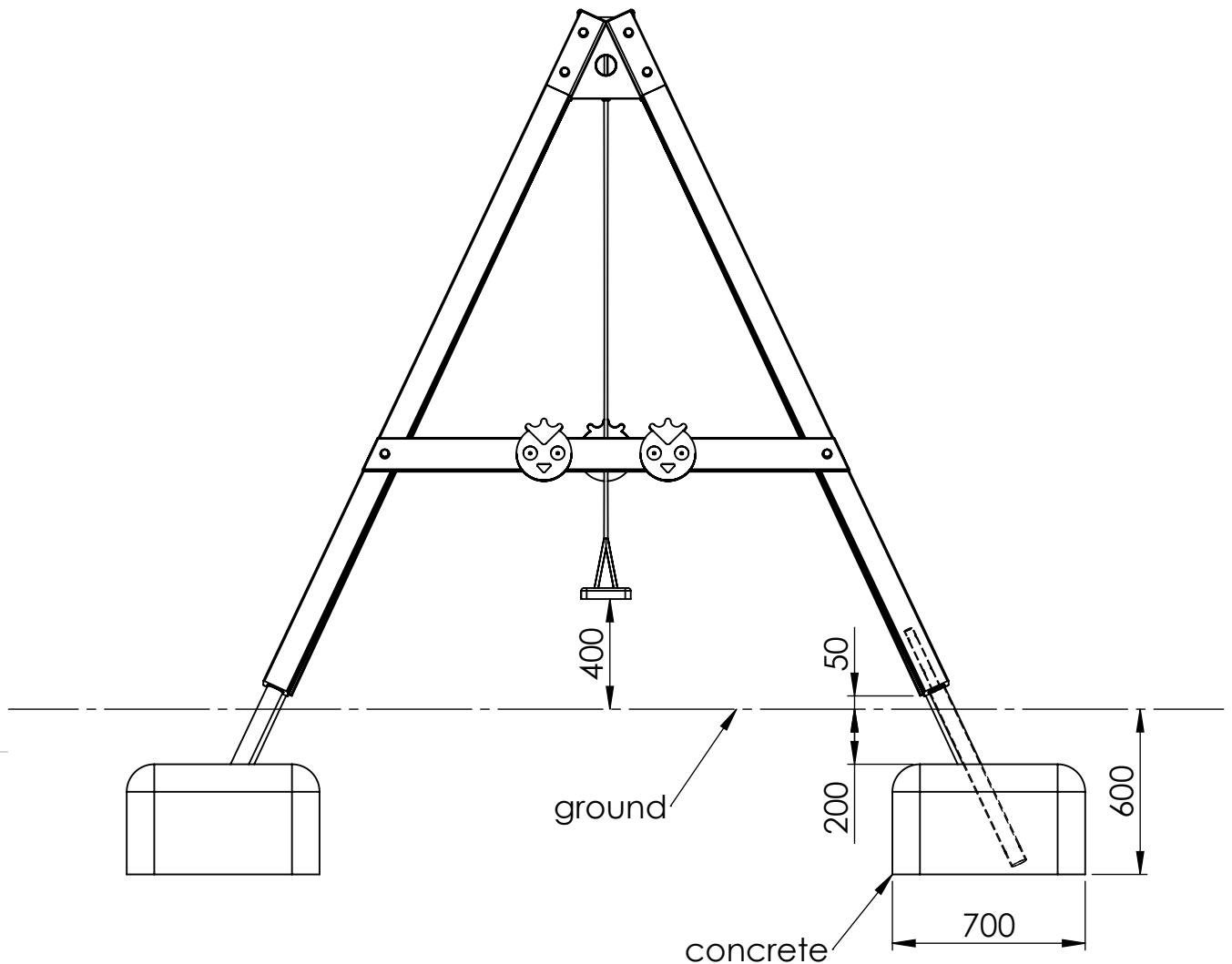
B

C

D

E

F



UNLESS OTHERWISE SPECIFIED:
 DIMENSIONS ARE IN MILLIMETERS
 WEIGHT ARE IN KILOGRAMM

PART NUMBER / DWG NO.:
K116

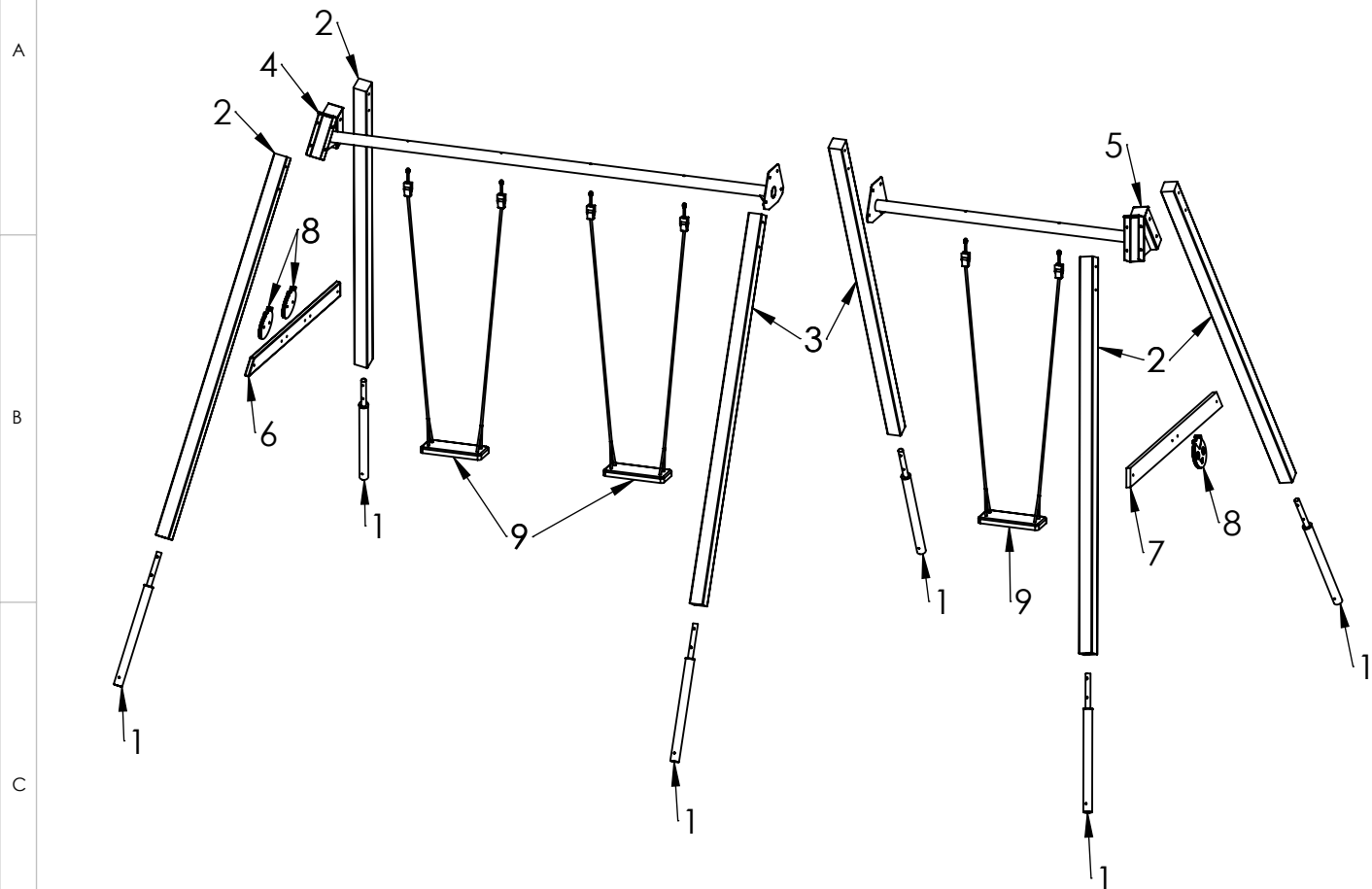
	NAME	SIGNATURE	DATE	REVISION
DRAWN	M.Rebase		17.05.2012	
APPV'D				

DESCRIPTION:
Swing construction BABY BIRD 2 places



Tiptiptap OÜ
 Veetorni 9,
 Jüri alevik, Rae vald,
 75301 Harjumaa

MATERIAL:	wood, metal, plastic	A4
WEIGHT:		SCALE: 1:25
		SHEET 5 OF 9



ITEM NO.	PART NUMBER	DESCRIPTION	QTY.
1	ground fixing	galvanized steel	6
2	post 98x98x2720	laminated wood	4
3	post 98x98x2695	laminated wood	2
4	beam 76x3050	galvanized painted steel	1
5	beam 76x1930	galvanized painted steel	1
6	board 30x120x1770 (6 holes)	laminated wood	1
7	board 30x120x1770 (4 holes)	laminated wood	1
8	owl shape	PE plastic	3
9	seat complete with fittings	rubber compound with aluminium insert	3

UNLESS OTHERWISE SPECIFIED:
DIMENSIONS ARE IN MILLIMETERS
WEIGHT ARE IN KILOGRAMM

PART NUMBER / DWG NO.:

K116

	NAME	SIGNATURE	DATE	REVISION
DRAWN	M.Rebase		16.03.2015	
APPV'D				

DESCRIPTION:

Swing construction BABY BIRD 2 places

MATERIAL:

wood, metal, plastic

A4

WEIGHT:

SCALE: 1:50

SHEET 6 OF 9



Tiptaptap OÜ

Tiptaptap OÜ
Veetorni 9,
Jüri alevik, Rae vald,
75301 Harjumaa

A

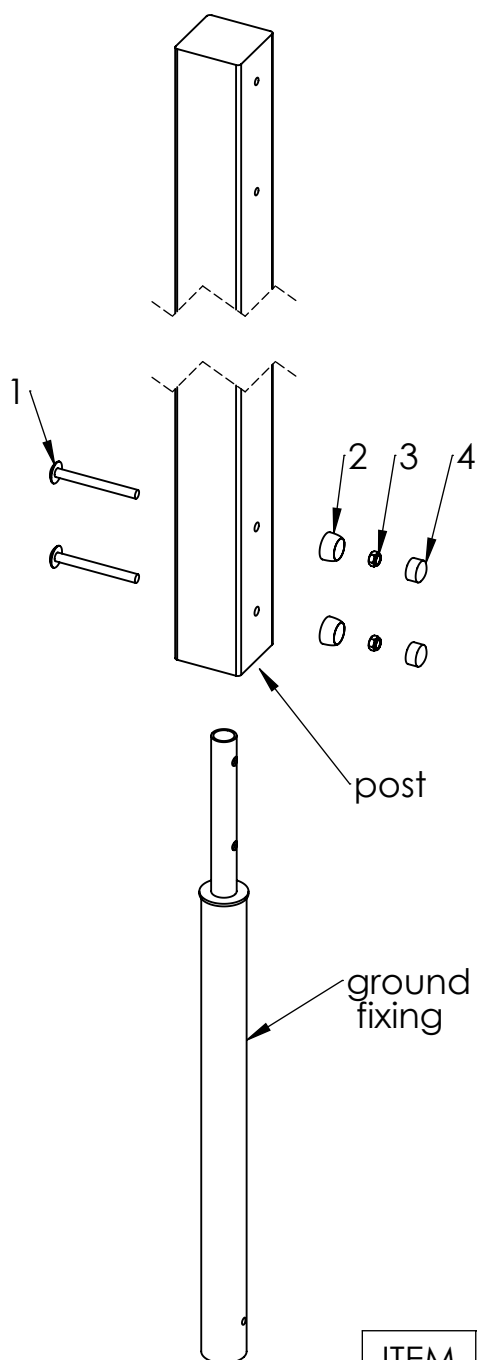
B

C

D

E

F



ITEM NO.	PART NUMBER
1	bolt DIN603 M12x120
2	nut cover M12
3	nut DIN985 M12
4	nut cover cap M12

UNLESS OTHERWISE SPECIFIED:
DIMENSIONS ARE IN MILLIMETERS
WEIGHT ARE IN KILOGRAMM

PART NUMBER / DWG NO.:

K116

	NAME	SIGNATURE	DATE	REVISION
DRAWN	M.Rebase		17.05.2012	
APPV'D				

DESCRIPTION:

Swing construction BABY BIRD 2 places



Tiptiptap OÜ

Tiptiptap OÜ
Veetorni 9,
Jüri alevik, Rae vald,
75301 Harjumaa

MATERIAL:

wood, metal, plastic

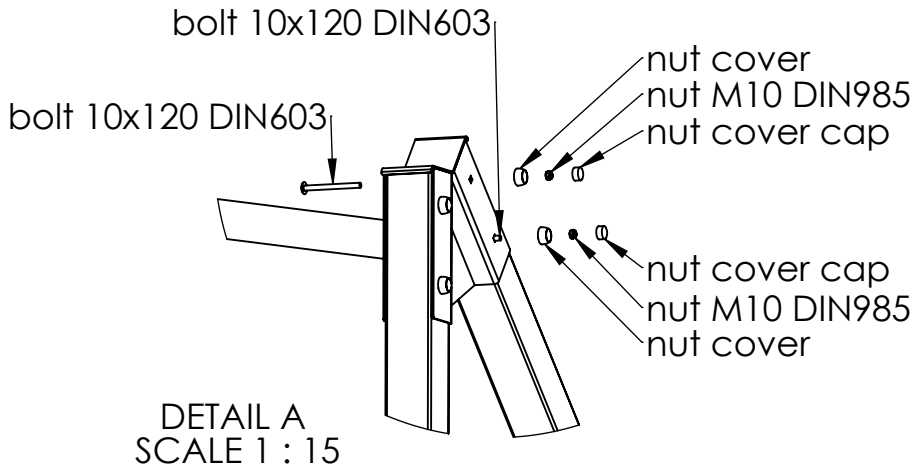
A4

WEIGHT:

SCALE: 1:10

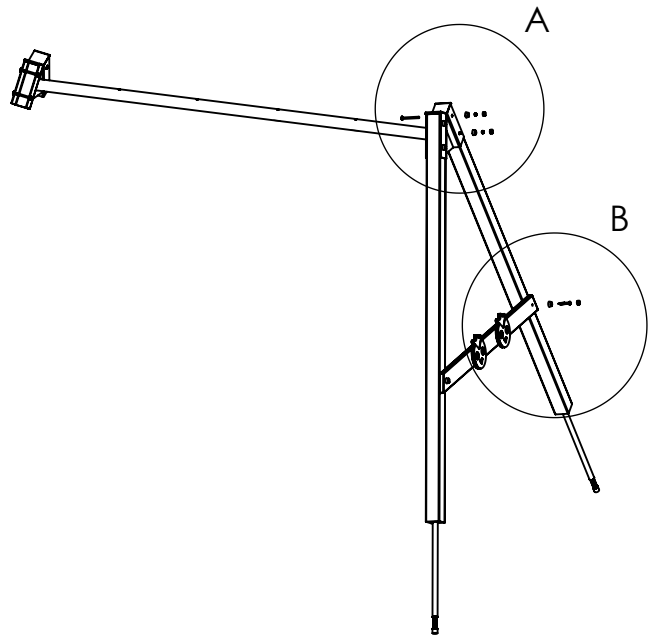
SHEET 7 OF 9

A

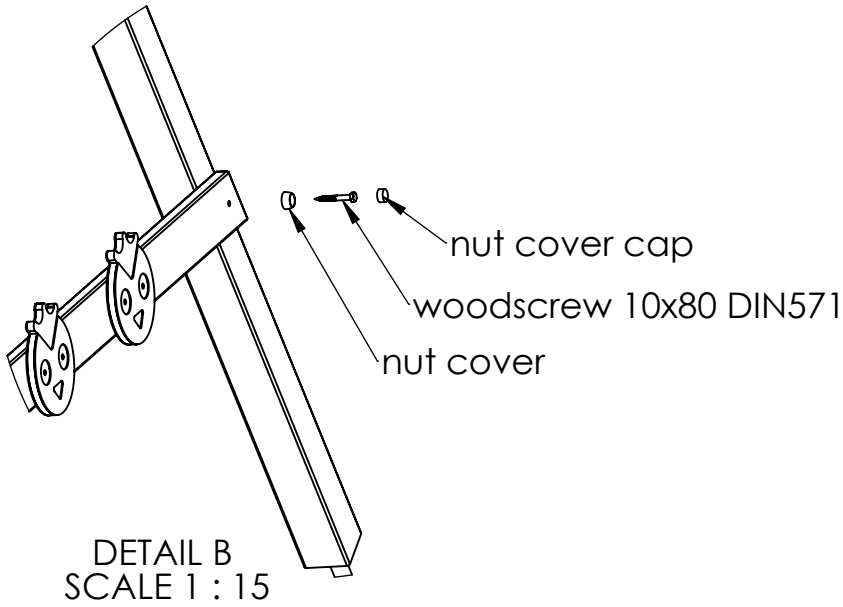


B

C



D



E

F

UNLESS OTHERWISE SPECIFIED:
DIMENSIONS ARE IN MILLIMETERS
WEIGHT ARE IN KILOGRAMM

NAME	SIGNATURE	DATE	REVISION
DRAWN M.Rebase		17.05.2012	
APPV'D			

PART NUMBER / DWG NO.: **K116**

DESCRIPTION:
Swing construction BABY BIRD 2 places



Tiptaptap OÜ
Veetorni 9,
Jüri alevik, Rae vald,
75301 Harjumaa

MATERIAL: wood, metal, plastic	A4
WEIGHT:	SCALE: 1:50
	SHEET 8 OF 9

A

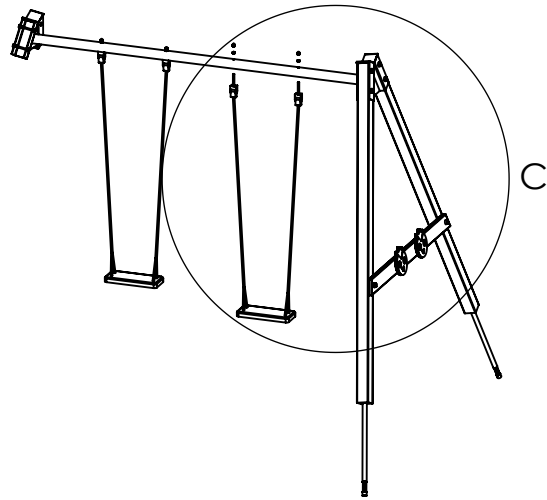
B

C

D

E

F

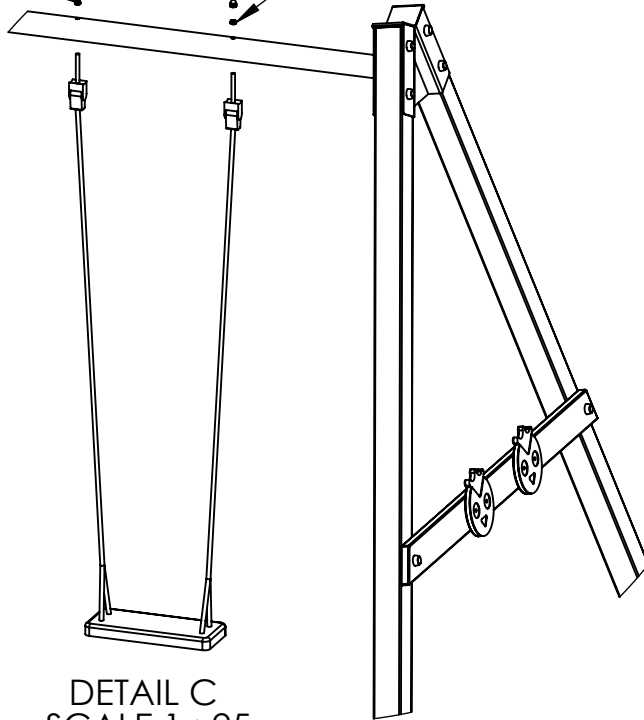


domed cap nut M12 DIN 1587

nut M12 DIN985

domed cap nut M12 DIN1587

nut M12 DIN985



DETAIL C
SCALE 1 : 25

UNLESS OTHERWISE SPECIFIED:
DIMENSIONS ARE IN MILLIMETERS
WEIGHT ARE IN KILOGRAMM

PART NUMBER / DWG NO.:

K116

	NAME	SIGNATURE	DATE	REVISION
DRAWN	M.Rebase		17.05.2012	
APPV'D				

DESCRIPTION:

Swing construction BABY BIRD 2 places



Tiptiptap OÜ

Tiptiptap OÜ
Veetorni 9,
Jüri alevik, Rae vald,
75301 Harjumaa

MATERIAL:

wood, metal, plastic

A4

WEIGHT:

SCALE: 1:60

SHEET 9 OF 9