

A

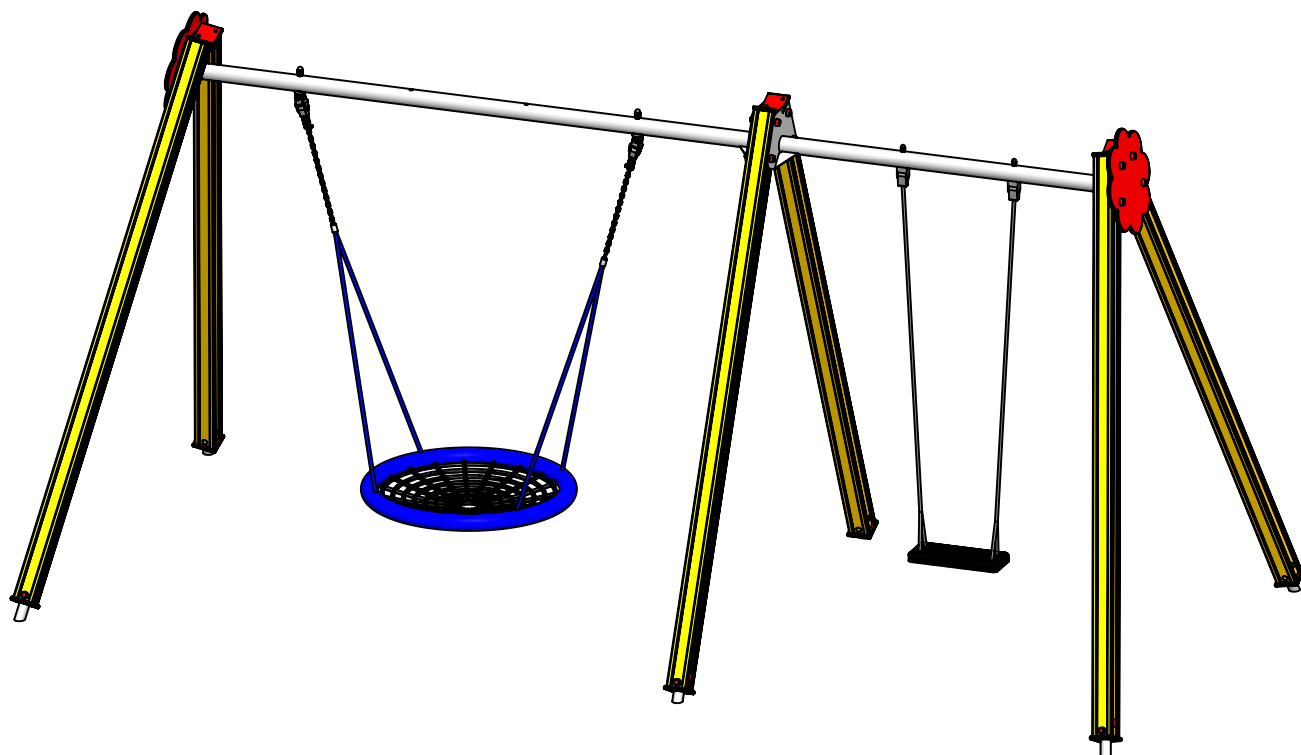
B

C

D

E

F



UNLESS OTHERWISE SPECIFIED:
DIMENSIONS ARE IN MILLIMETERS
WEIGHT ARE IN KILOGRAMM

Lekplatsgrossisten.se

PART NUMBER / DWG NO.:

K115TL AL

| | NAME | SIGNATURE | DATE | REVISION |
|--------|----------|-----------|------------|----------|
| DRAWN | M.Rebase | | 10.11.2014 | |
| APPV'D | | | | |

DESCRIPTION:

Swing construction BELL-FLOWER



Tiptaptap OÜ

Tiptaptap OÜ
Veetorni 9,
Jüri alevik, Rae vald,
75301 Harjumaa

MATERIAL:

wood, metal, plastic

A4

WEIGHT:

SCALE: 1:35

SHEET 1 OF 9

safety area

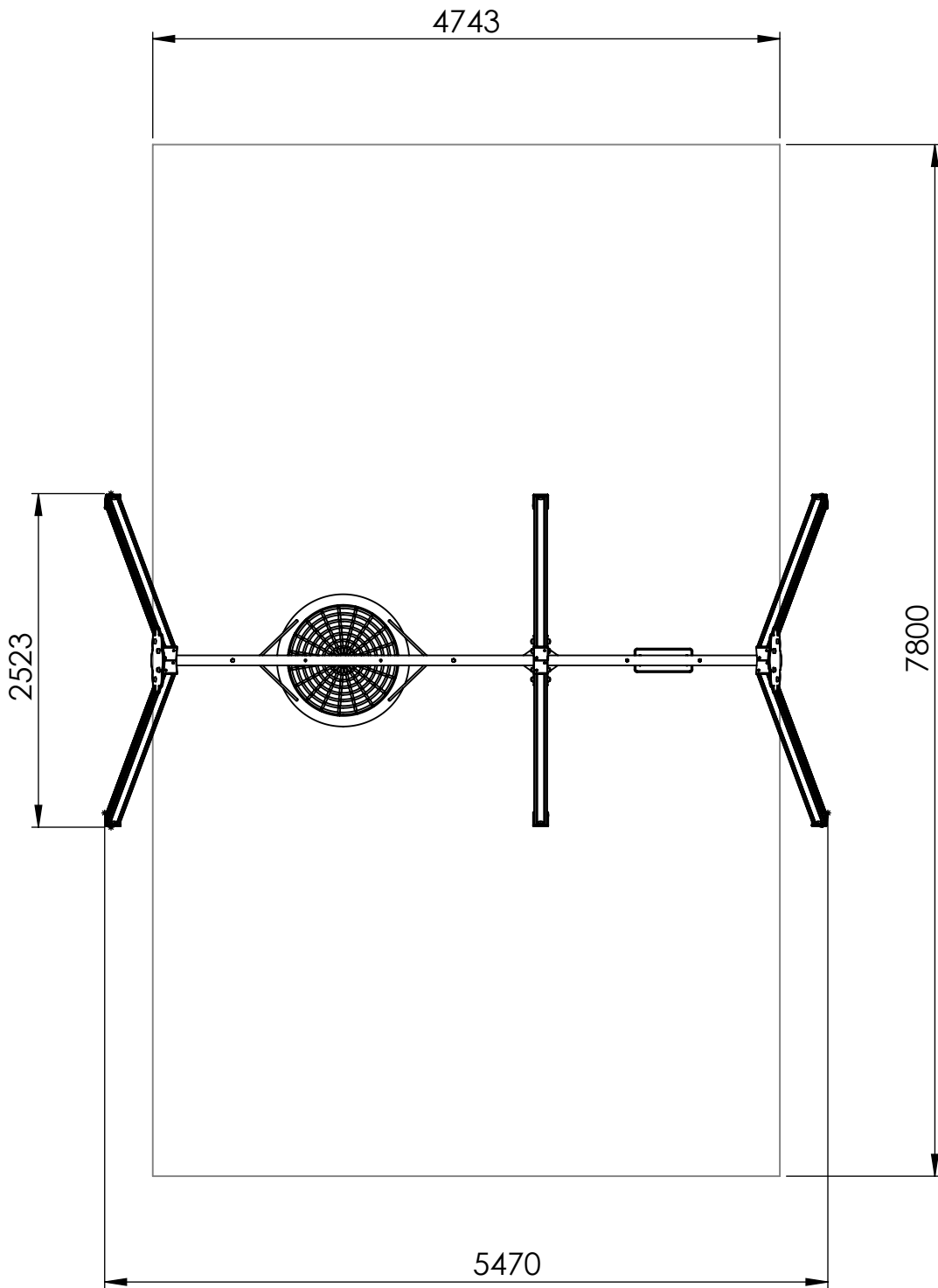
A

B

C

D

E



UNLESS OTHERWISE SPECIFIED:
DIMENSIONS ARE IN MILLIMETERS
WEIGHT ARE IN KILOGRAMM

Lekplatsgrossisten.se

PART NUMBER / DWG NO.:

K115TL AL

| | NAME | SIGNATURE | DATE | REVISION |
|--------|----------|-----------|------------|----------|
| DRAWN | M.Rebase | | 10.11.2014 | |
| APPV'D | | | | |

DESCRIPTION:

Swing construction BELL-FLOWER

F



Tiptaptap OÜ

Tiptaptap OÜ
Veetorni 9,
Jüri alevik, Rae vald,
75301 Harjumaa

MATERIAL:

wood, metal, plastic

A4

WEIGHT:

SCALE: 1:50

SHEET 2 OF 9

foundation

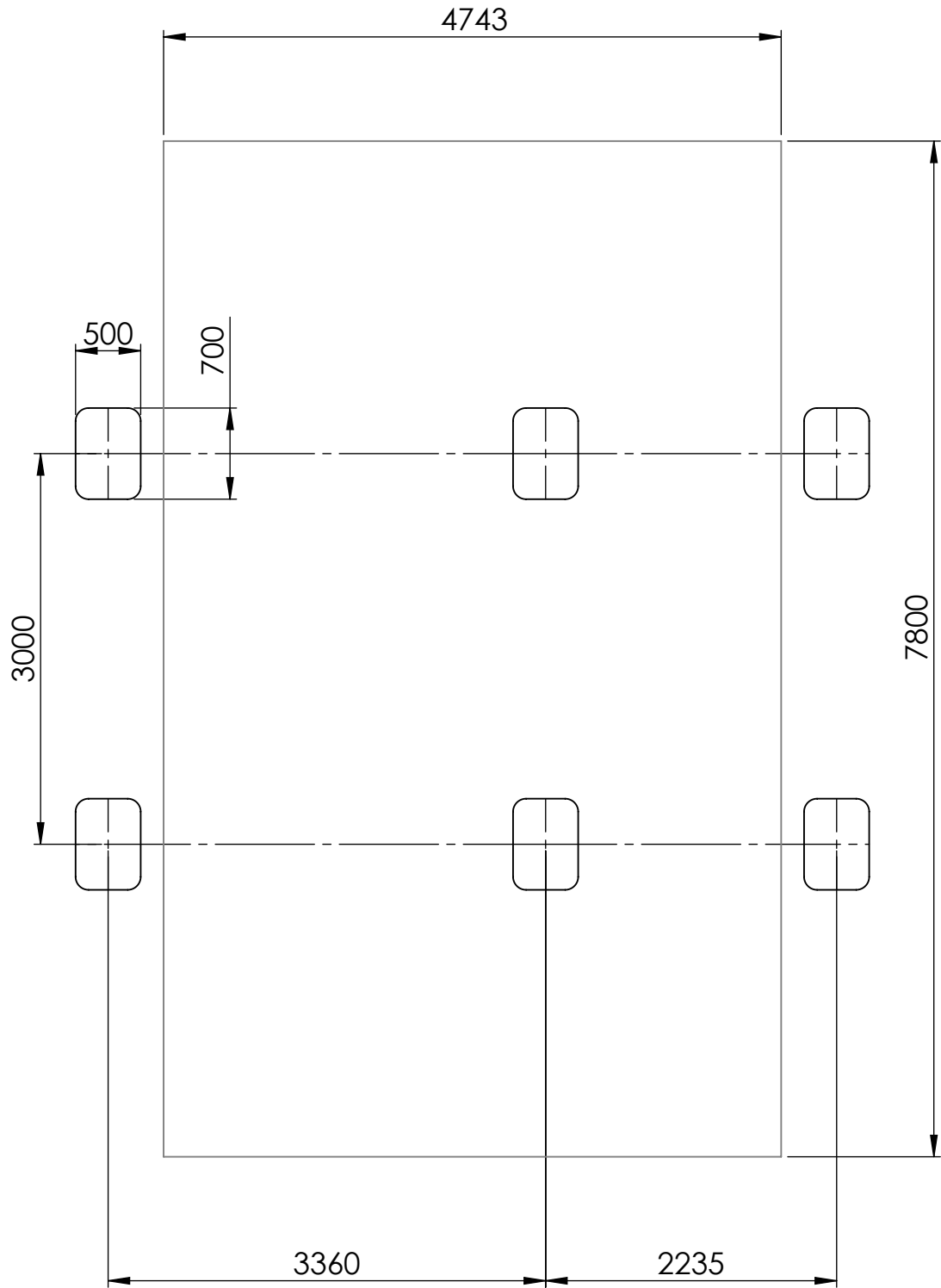
A

B

C

D

E



UNLESS OTHERWISE SPECIFIED:
DIMENSIONS ARE IN MILLIMETERS
WEIGHT ARE IN KILOGRAMM

Lekplatsgrossisten.se

PART NUMBER / DWG NO.:

K115TL AL

| | NAME | SIGNATURE | DATE | REVISION |
|--------|----------|-----------|------------|----------|
| DRAWN | M.Rebase | | 10.11.2014 | |
| APPV'D | | | | |

DESCRIPTION:

Swing construction BELL-FLOWER

F



Tiptaptap OÜ

Tiptaptap OÜ
Veetorni 9,
Jüri alevik, Rae vald,
75301 Harjumaa

MATERIAL:

wood, metal, plastic

A4

WEIGHT:

SCALE: 1:50

SHEET 3 OF 9

1

2

3

4

A

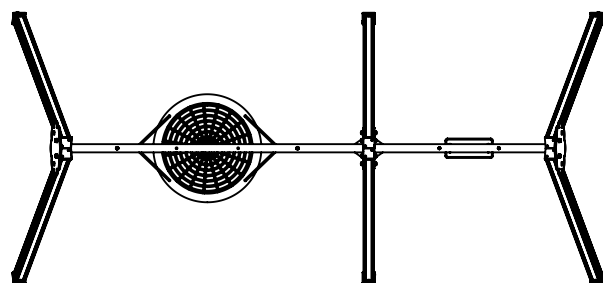
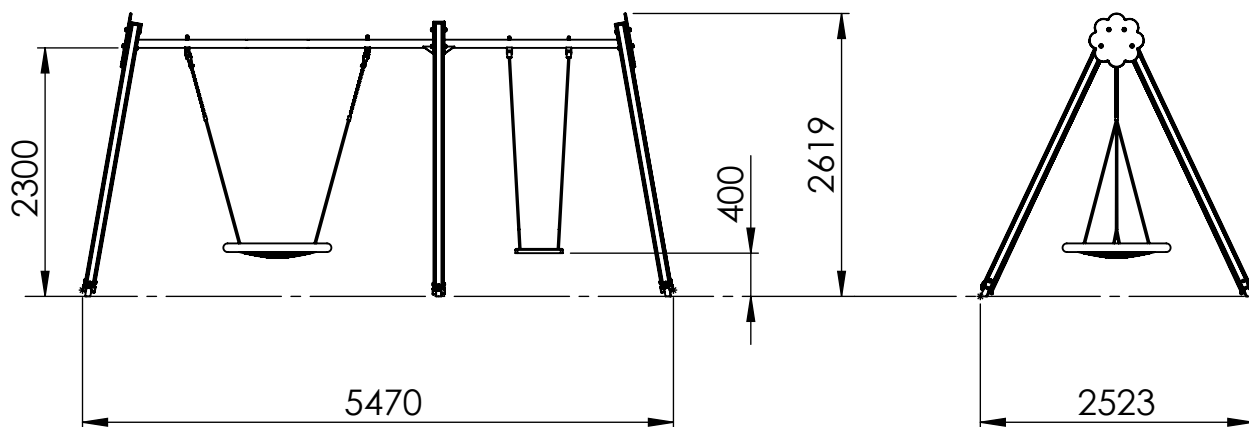
B

C

D

E

F



UNLESS OTHERWISE SPECIFIED:
DIMENSIONS ARE IN MILLIMETERS
WEIGHT ARE IN KILOGRAMM

Lekplatsgrossisten.se

PART NUMBER / DWG NO.:

K115TL AL

| | NAME | SIGNATURE | DATE | REVISION |
|--------|----------|-----------|------------|----------|
| DRAWN | M.Rebase | | 10.11.2014 | |
| APPV'D | | | | |

DESCRIPTION:

Swing construction BELL-FLOWER



Tiptiptap OÜ

Tiptiptap OÜ
Veetorni 9,
Jüri alevik, Rae vald,
75301 Harjumaa

MATERIAL:

wood, metal, plastic

A4

WEIGHT:

SCALE: 1:70

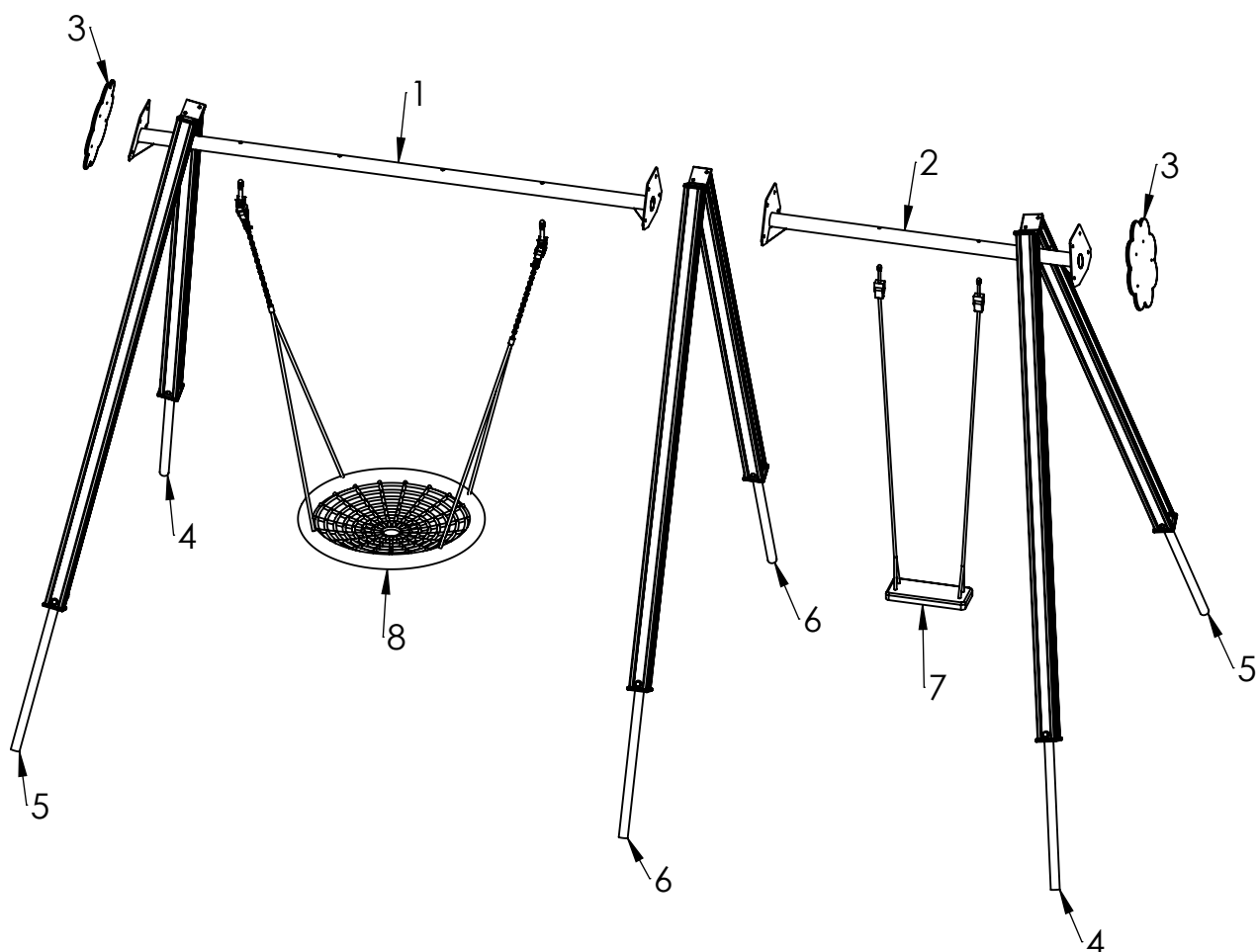
SHEET 4 OF 9

A

B

C

D



E

F

| ITEM NO. | PART NUMBER | DESCRIPTION | QTY. |
|----------|----------------------------|---------------------------------------|------|
| 1 | beam 76x2860 | galvanized steel | 1 |
| 2 | beam 76x1735 | galvanized steel | 1 |
| 3 | side fixture | plastic | 2 |
| 4 | post A, 98x98x2720 | aluminium, PE plastic | 2 |
| 5 | post B, 98x98x2720 | aluminium, PE plastic | 2 |
| 6 | post C, 98x98x2720 | aluminium, PE plastic | 2 |
| 7 | seat complete with fixings | rubber compound with aluminium insert | 1 |
| 8 | rope swing set BIRD NEST | PE covered steel wire, metal | 1 |

UNLESS OTHERWISE SPECIFIED:
DIMENSIONS ARE IN MILLIMETERS
WEIGHT ARE IN KILOGRAMM

Lekplatsgrossisten.se

PART NUMBER / DWG NO.:

K115TL AL

| | NAME | SIGNATURE | DATE | REVISION |
|--------|----------|-----------|------------|----------|
| DRAWN | M.Rebase | | 10.11.2014 | |
| APPV'D | | | | |

DESCRIPTION:

Swing construction BELL-FLOWER

MATERIAL:

wood, metal, plastic

A4

WEIGHT:

SCALE: 1:40

SHEET 5 OF 9



Tiptap OÜ

Tiptap OÜ
Veetorni 9,
Jüri alevik, Rae vald,
75301 Harjumaa

A

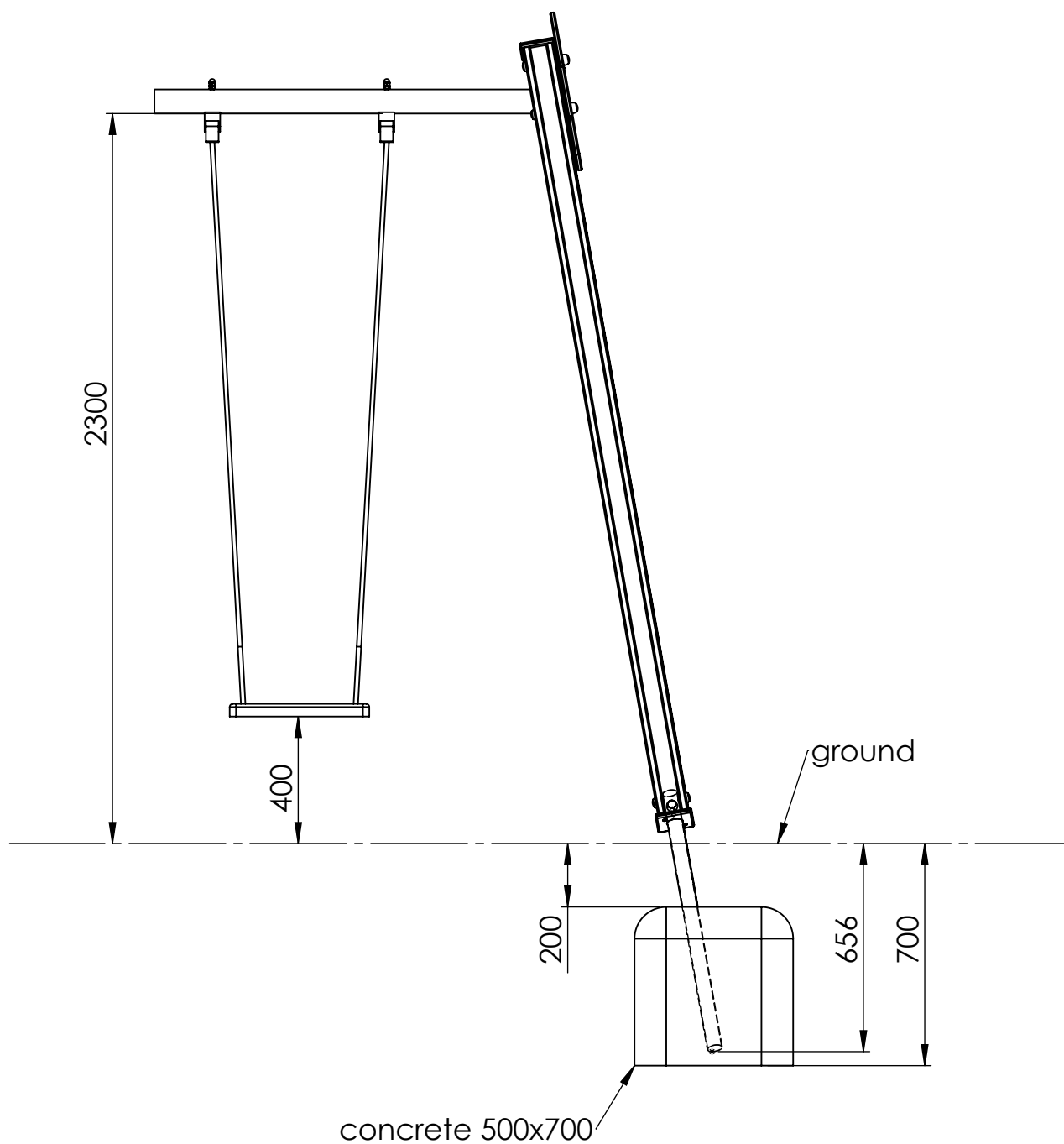
B

C

D

E

F



UNLESS OTHERWISE SPECIFIED:
DIMENSIONS ARE IN MILLIMETERS
WEIGHT ARE IN KILOGRAMM

Lekplatsgrossisten.se

PART NUMBER / DWG NO.:

K115TL AL

| | NAME | SIGNATURE | DATE | REVISION |
|--------|----------|-----------|------------|----------|
| DRAWN | M.Rebase | | 10.11.2014 | |
| APPV'D | | | | |

DESCRIPTION:

Swing construction BELL-FLOWER



Tiptaptap OÜ

Tiptaptap OÜ
Veetorni 9,
Jüri alevik, Rae vald,
75301 Harjumaa

MATERIAL:

wood, metal, plastic

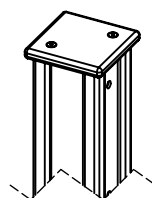
A4

WEIGHT:

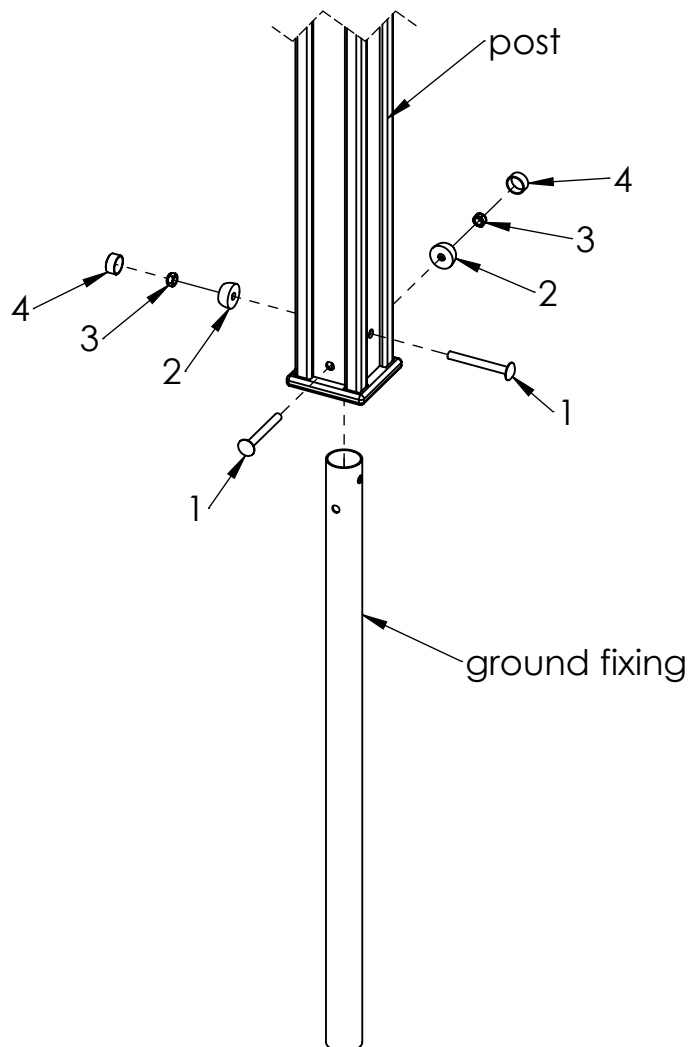
SCALE: 1:100

SHEET 6 OF 9

A



B



C

D

E

| ITEM NO. | PART NUMBER |
|----------|--------------------|
| 1 | bolt DIN603 M10x90 |
| 2 | nut cover M10 |
| 3 | nut DIN985 M10 |
| 4 | nut cover cap M10 |

UNLESS OTHERWISE SPECIFIED:
DIMENSIONS ARE IN MILLIMETERS
WEIGHT ARE IN KILOGRAMM

Lekplatsgrossisten.se

PART NUMBER / DWG NO.:

K115TL AL

| | NAME | SIGNATURE | DATE | REVISION |
|--------|----------|-----------|------------|----------|
| DRAWN | M.Rebase | | 10.11.2014 | |
| APPV'D | | | | |

DESCRIPTION:

Swing construction BELL-FLOWER
connecting ground fixing to post

F



Tiptaptap OÜ

Tiptaptap OÜ
Veetorni 9,
Jüri alevik, Rae vald,
75301 Harjumaa

MATERIAL:

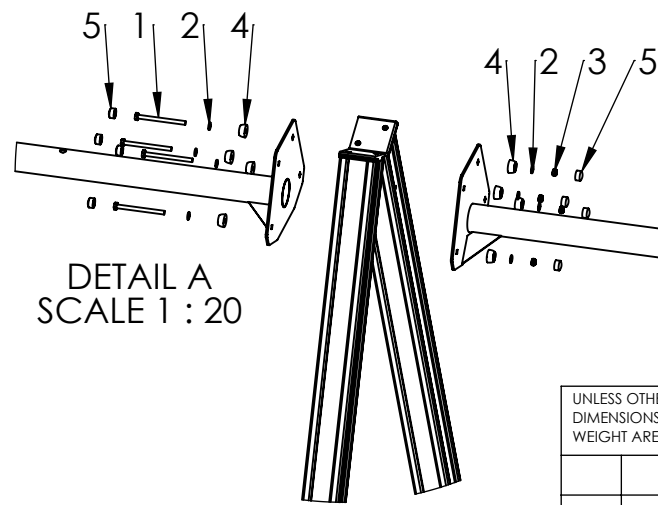
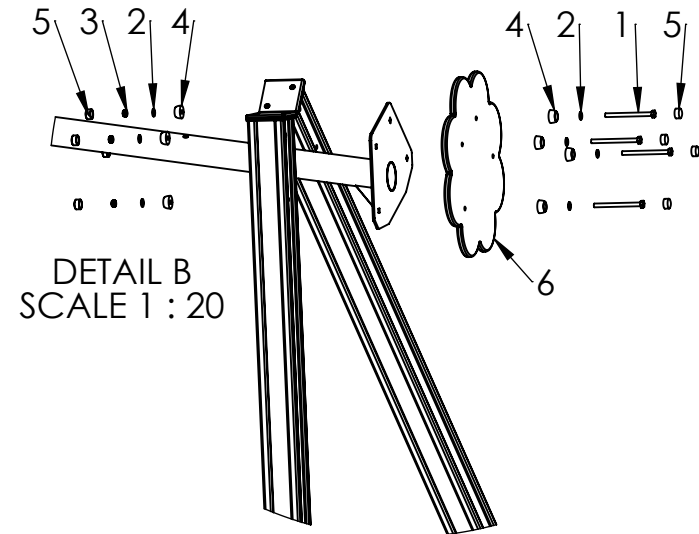
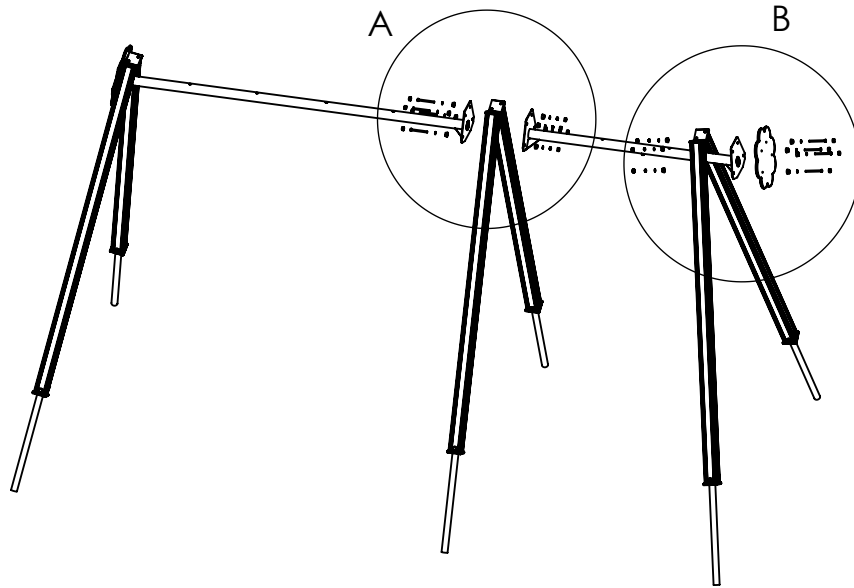
wood, metal, plastic

A4

WEIGHT:

SCALE: 1:10

SHEET 7 OF 9



| ITEM NO. | PART NUMBER |
|----------|---------------------|
| 1 | bolt DIN931 M10x130 |
| 2 | washer M10 |
| 3 | nut DIN985 M10 |
| 4 | nut cover M10 |
| 5 | nut cover cap M10 |
| 6 | side fixture |

UNLESS OTHERWISE SPECIFIED:
DIMENSIONS ARE IN MILLIMETERS
WEIGHT ARE IN KILOGRAMM

Lekplatsgrossisten.se

PART NUMBER / DWG NO.:

K115TL AL

| | NAME | SIGNATURE | DATE | REVISION |
|--------|----------|-----------|------------|----------|
| DRAWN | M.Rebase | | 10.11.2014 | |
| APPV'D | | | | |

DESCRIPTION:

Swing construction BELL-FLOWER



Tiptaptap OÜ

Tiptaptap OÜ
Veetorni 9,
Jüri alevik, Rae vald,
75301 Harjumaa

MATERIAL:

wood, metal, plastic

A4

WEIGHT:

SCALE: 1:60

SHEET 8 OF 9

A

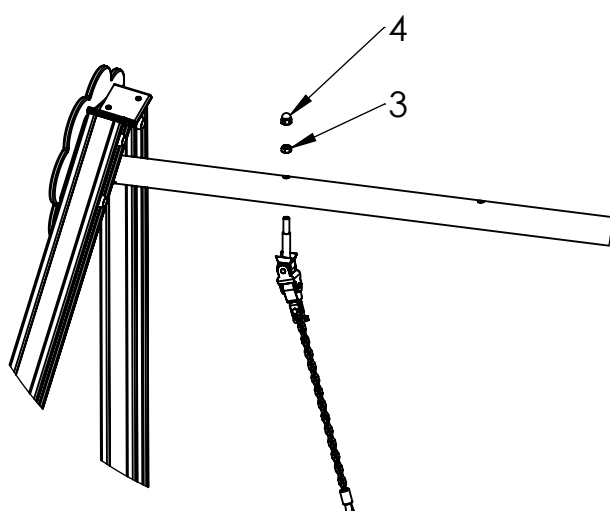
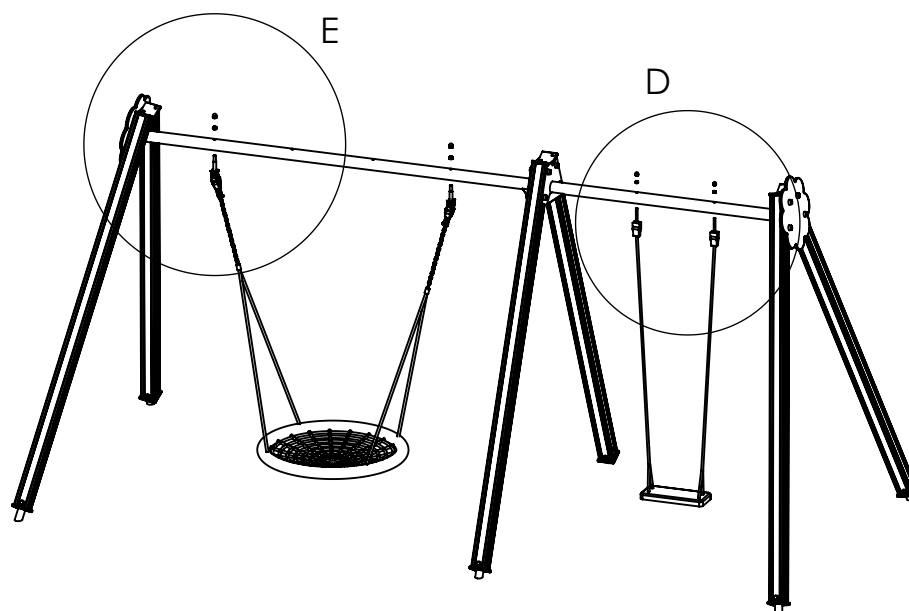
B

C

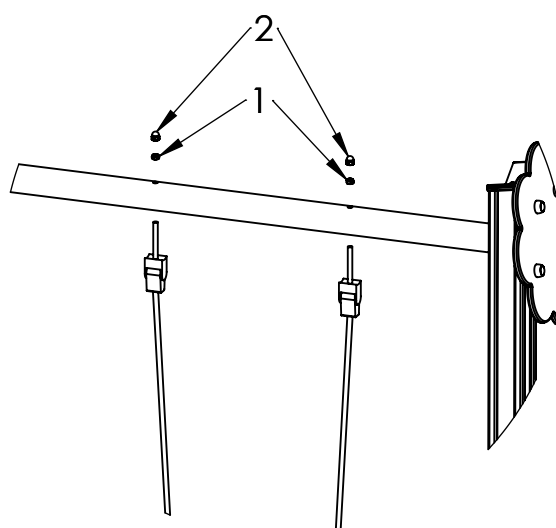
D

E

F



DETAIL E
SCALE 1 : 20



DETAIL D
SCALE 1 : 20

| ITEM NO. | PART NUMBER |
|----------|---------------------------|
| 1 | nut DIN985 M12 |
| 2 | domed cap nut DIN1587 M12 |
| 3 | nut DIN985 M16 |
| 4 | domed cap nut DIN1587 M16 |

UNLESS OTHERWISE SPECIFIED:
DIMENSIONS ARE IN MILLIMETERS
WEIGHT ARE IN KILOGRAMM

Lekplatsgrossisten.se

PART NUMBER / DWG NO.:

K115TL AL

| | NAME | SIGNATURE | DATE | REVISION |
|--------|----------|-----------|------------|----------|
| DRAWN | M.Rebase | | 10.11.2014 | |
| APPV'D | | | | |

DESCRIPTION:

Swing construction BELL-FLOWER



Tiptaptap OÜ

Tiptaptap OÜ
Veetorni 9,
Jüri alevik, Rae vald,
75301 Harjumaa

MATERIAL:

wood, metal, plastic

A4

WEIGHT:

SCALE: 1:50

SHEET 9 OF 9