

A

B

C

D

E

F



UNLESS OTHERWISE SPECIFIED:
DIMENSIONS ARE IN MILLIMETERS
WEIGHT ARE IN KILOGRAMM

PART NUMBER / DWG NO.:

K113

	NAME	SIGNATURE	DATE	REVISION
DRAWN	M.Rebase		17.03.2014	
APPV'D				

DESCRIPTION:

Swing construction BABY SNAIL



Tiptiptap OÜ

Tiptiptap OÜ
Veetorni 9,
Jüri alevik, Rae vald,
75301 Harjumaa

MATERIAL:

wood, metal, plastic

A4

WEIGHT:

SCALE: 1:15

SHEET 1 OF 7

safety area

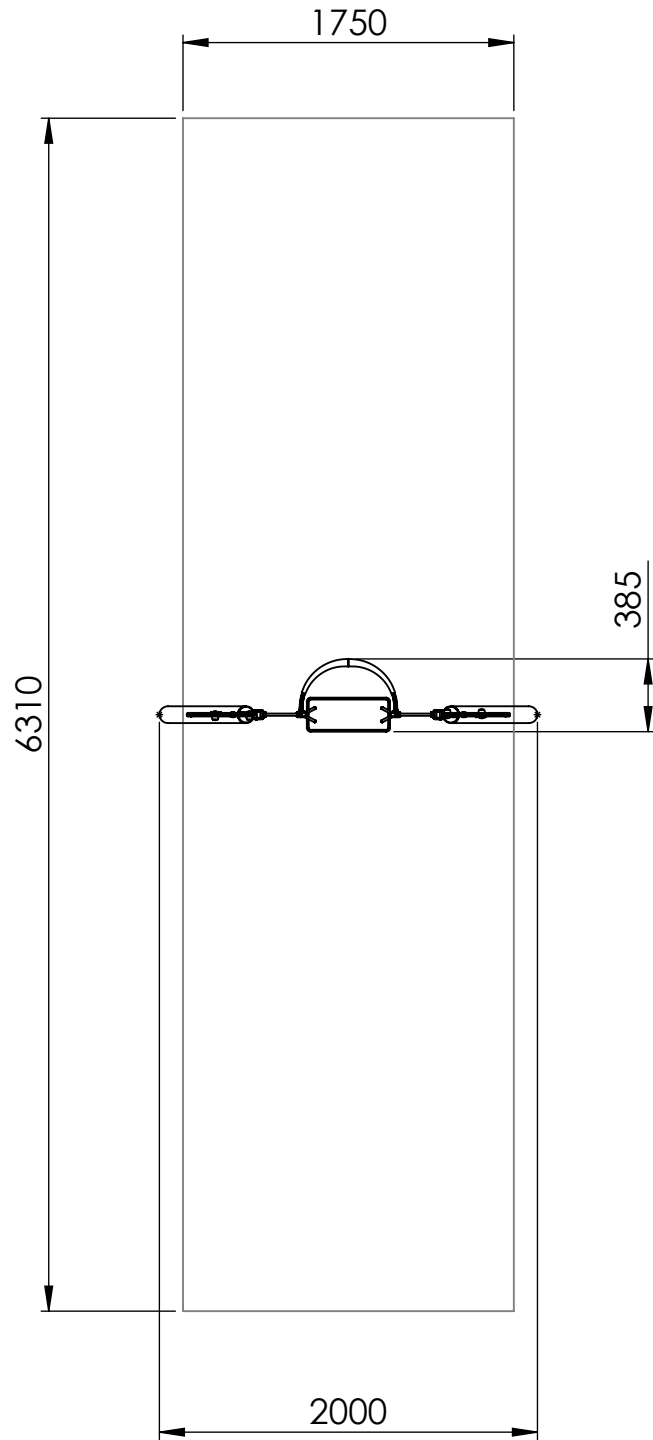
A

B

C

D

E



UNLESS OTHERWISE SPECIFIED: DIMENSIONS ARE IN MILLIMETERS WEIGHT ARE IN KILOGRAMM				
	NAME	SIGNATURE	DATE	REVISION
DRAWN	M.Rebase		17.03.2014	
APPV'D				

PART NUMBER / DWG NO.: **K113**

DESCRIPTION:
Swing construction BABY SNAIL

 **Tiptaptap** OÜ
 Veetorni 9,
 Jüri alevik, Rae vald,
 75301 Harjumaa

MATERIAL:	wood, metal, plastic	A4
WEIGHT:	SCALE: 1:40	SHEET 2 OF 7

foundation

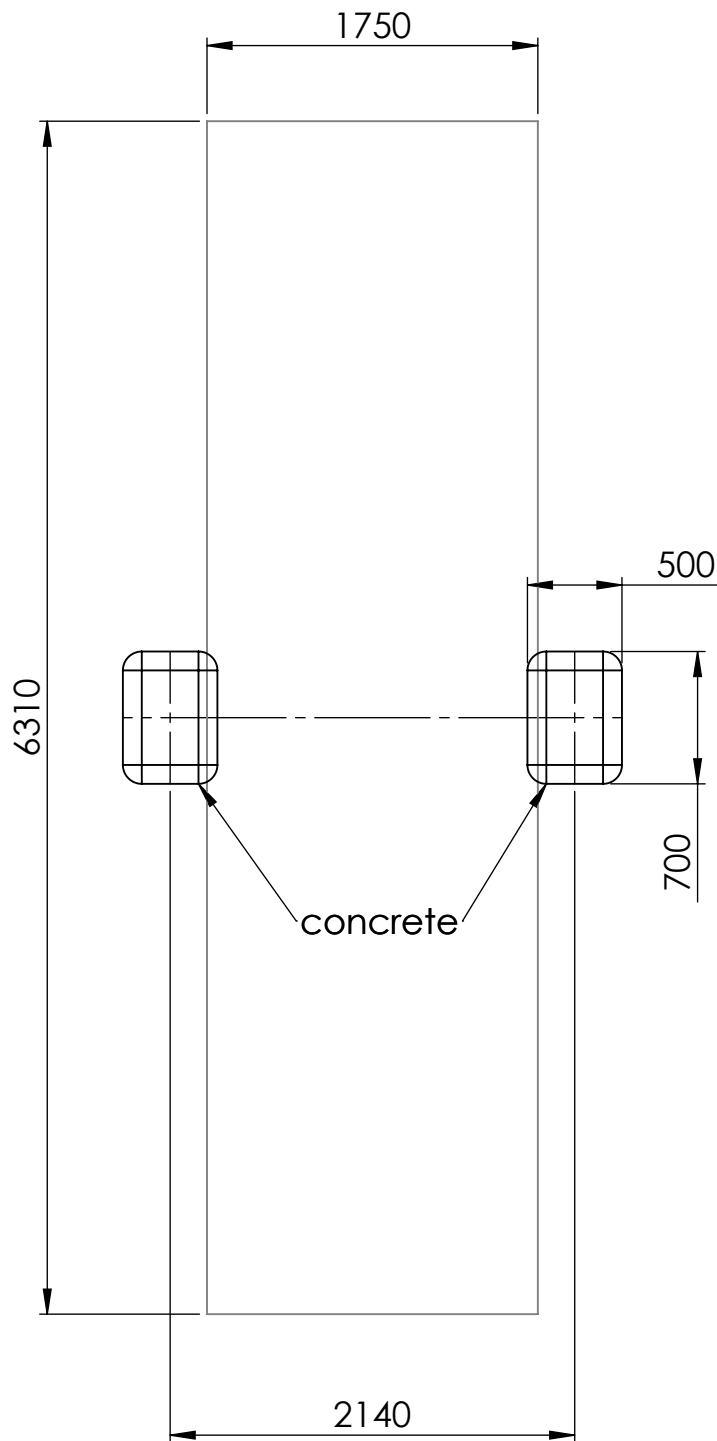
A

B

C

D

E



depth of foundation 600mm

UNLESS OTHERWISE SPECIFIED:
DIMENSIONS ARE IN MILLIMETERS
WEIGHT ARE IN KILOGRAMM

PART NUMBER / DWG NO.:

K113

	NAME	SIGNATURE	DATE	REVISION
DRAWN	M.Rebase		17.03.2014	
APPV'D				

DESCRIPTION:

Swing construction BABY SNAIL

F



Tiptaptap OÜ

Tiptaptap OÜ
Veetorni 9,
Jüri alevik, Rae vald,
75301 Harjumaa

MATERIAL:

wood, metal, plastic

A4

WEIGHT:

SCALE: 1:40

SHEET 3 OF 7

A

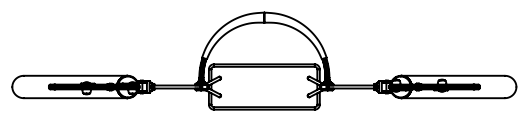
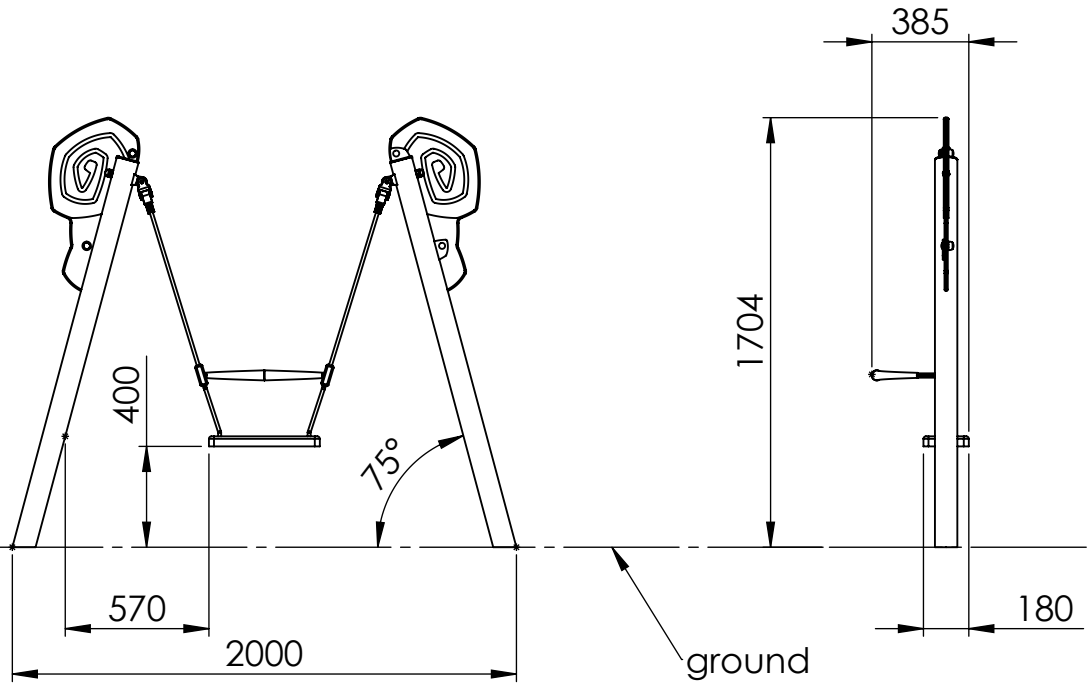
B

C

D

E

F



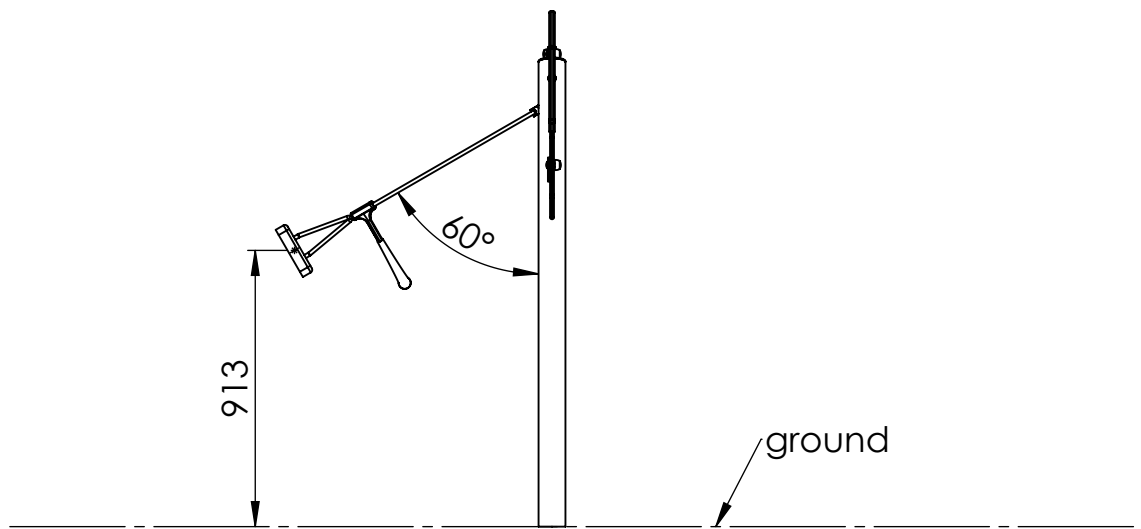
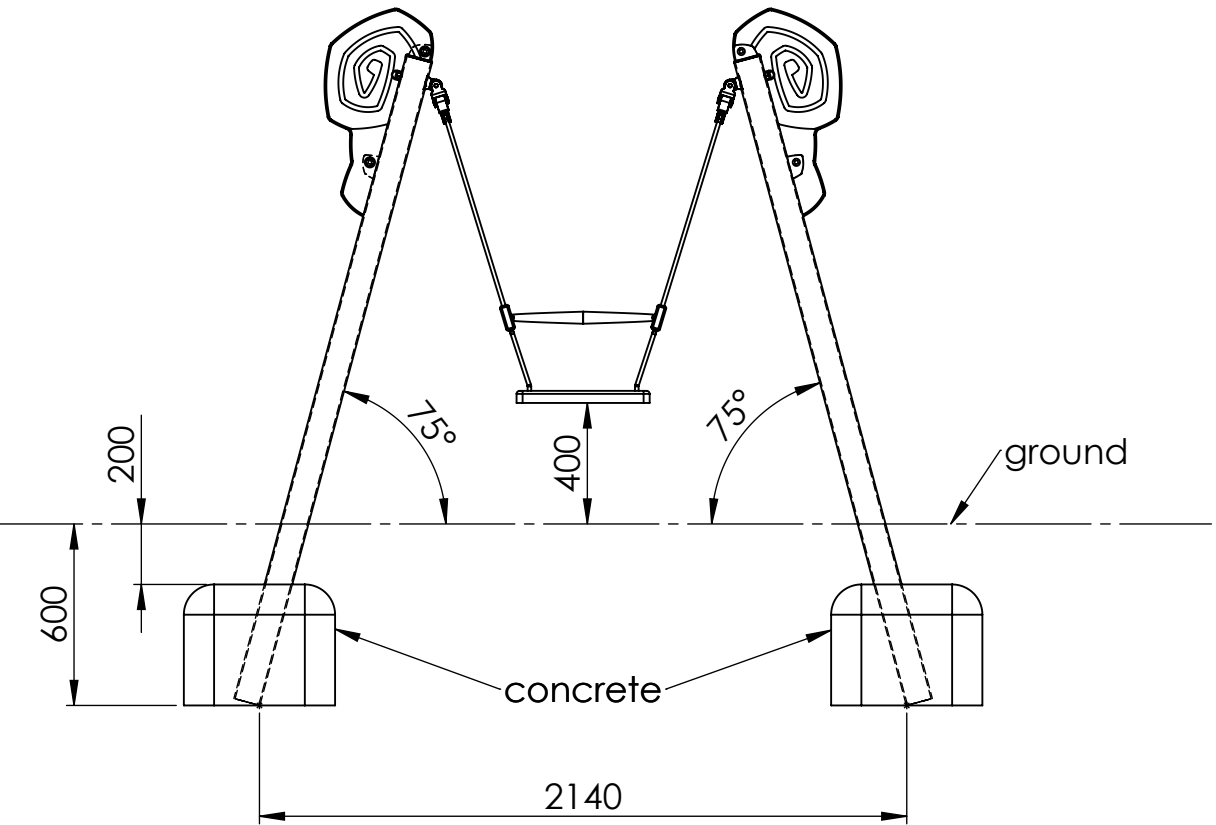
UNLESS OTHERWISE SPECIFIED: DIMENSIONS ARE IN MILLIMETERS WEIGHT ARE IN KILOGRAMM				
	NAME	SIGNATURE	DATE	REVISION
DRAWN	M.Rebase		17.03.2014	
APPV'D				

PART NUMBER / DWG NO.:
K113

DESCRIPTION:
Swing construction BABY SNAIL


Tiptaptap OÜ
 Veetorni 9,
 Jüri alevik, Rae vald,
 75301 Harjumaa

MATERIAL:	wood, metal, plastic	A4
WEIGHT:	SCALE: 1:30	SHEET 4 OF 7



UNLESS OTHERWISE SPECIFIED:
DIMENSIONS ARE IN MILLIMETERS
WEIGHT ARE IN KILOGRAMM

PART NUMBER / DWG NO.:

K113

	NAME	SIGNATURE	DATE	REVISION
DRAWN	M.Rebase		17.03.2014	
APPV'D				

DESCRIPTION:

Swing construction BABY SNAIL



Tiptap OÜ

Tiptap OÜ
Veetorni 9,
Jüri alevik, Rae vald,
75301 Harjumaa

MATERIAL:

wood, metal, plastic

A4

WEIGHT:

SCALE: 1:25

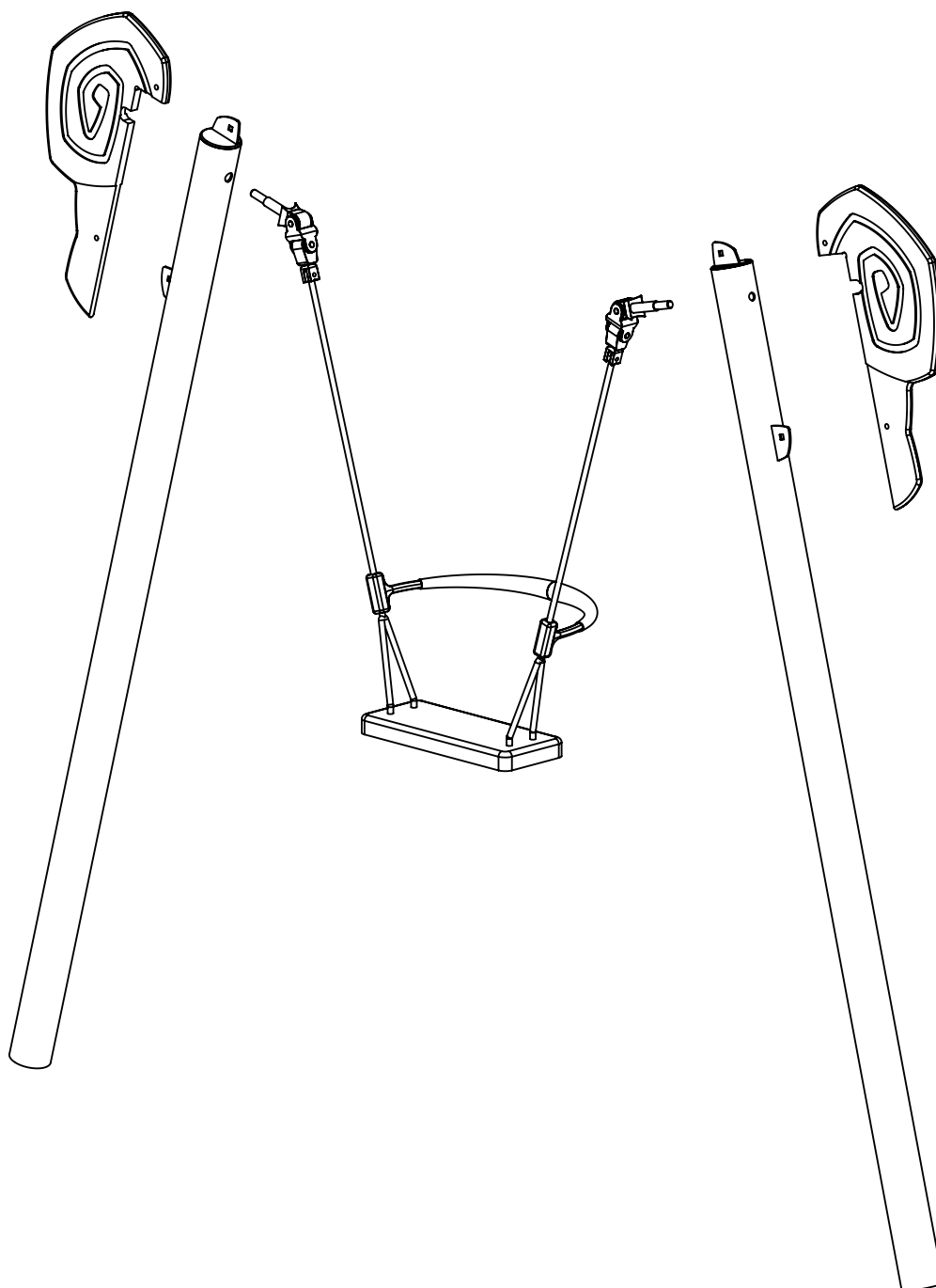
SHEET 5 OF 7

A

B

C

D



E

F

ITEM NO.	PART NUMBER	DESCRIPTION	QTY.
1	post Ø88,9	galvanized steel	2
2	K113 teod	PE plastic	2
3	swing seat set with safety bar and fixings	rubber compound with aluminium insert	1

UNLESS OTHERWISE SPECIFIED:
DIMENSIONS ARE IN MILLIMETERS
WEIGHT ARE IN KILOGRAMM

PART NUMBER / DWG NO.:

K113

	NAME	SIGNATURE	DATE	REVISION
DRAWN	M.Rebase		17.03.2014	
APPV'D				

DESCRIPTION:

Swing construction BABY SNAIL



Tiptaptap OÜ

Tiptaptap OÜ
Veetorni 9,
Jüri alevik, Rae vald,
75301 Harjumaa

MATERIAL:

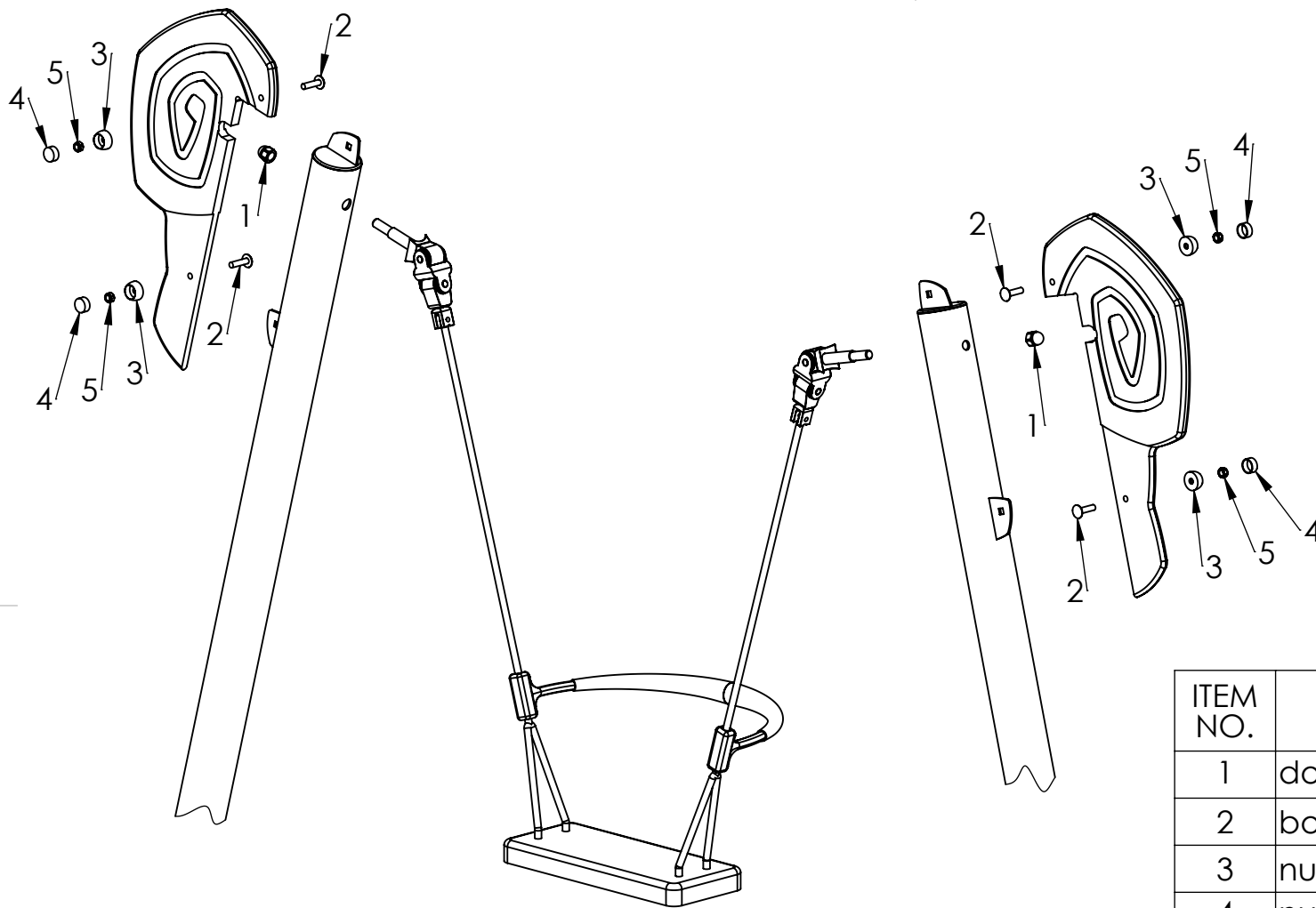
wood, metal, plastic

A4

WEIGHT:

SCALE: 1:15

SHEET 6 OF 7



ITEM NO.	PART NUMBER
1	domed cap nut DIN1587 M16
2	bolt DIN603 M10x40
3	nut cover M10
4	nut cover cap M10
5	nut DIN985 M10

UNLESS OTHERWISE SPECIFIED:
DIMENSIONS ARE IN MILLIMETERS
WEIGHT ARE IN KILOGRAMM

	NAME	SIGNATURE	DATE	REVISION
DRAWN	M.Rebase		17.03.2014	
APPV'D				

PART NUMBER / DWG NO.:

K113

DESCRIPTION:

Swing construction BABY SNAIL

MATERIAL:

wood, metal, plastic

A4

WEIGHT:

SCALE: 1:12

SHEET 7 OF 7



Tiptiptap OÜ
Tiptiptap OÜ
Veetorni 9,
Jüri alevik, Rae vald,
75301 Harjumaa