

A

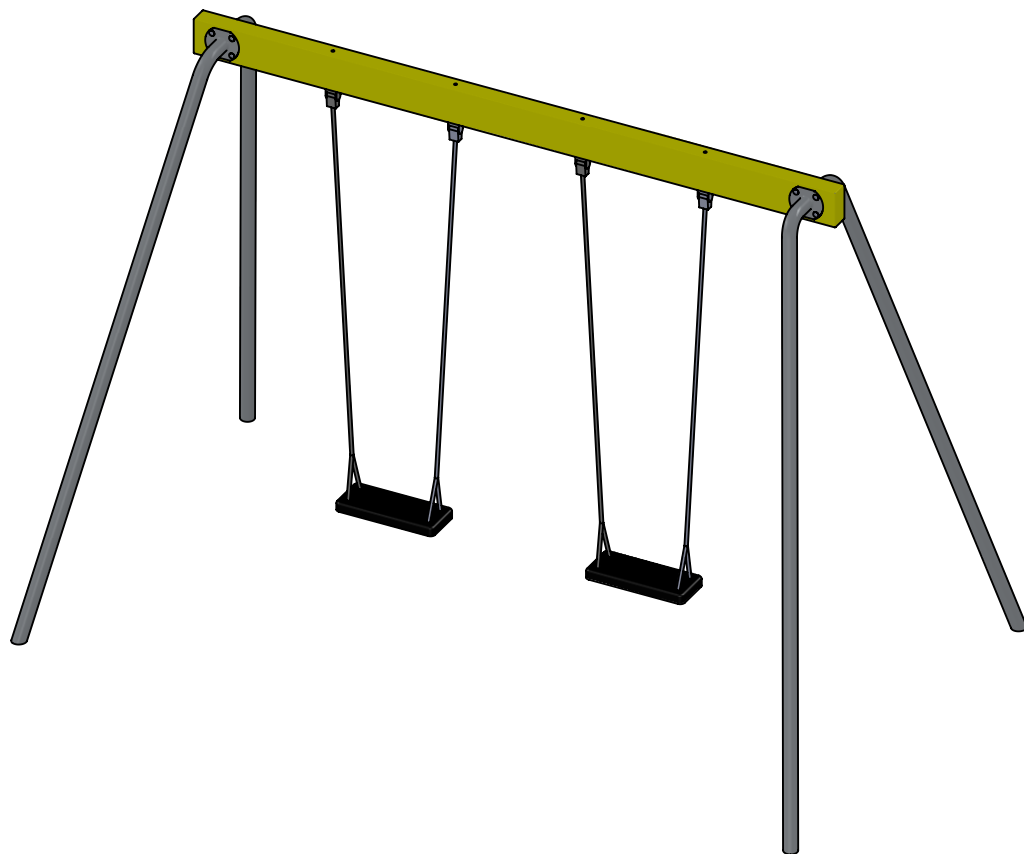
B

C

D

E

F



UNLESS OTHERWISE SPECIFIED:
DIMENSIONS ARE IN MILLIMETERS
WEIGHT ARE IN KILOGRAMM

PART NUMBER / DWG NO.:

K111

	NAME	SIGNATURE	DATE	REVISION
DRAWN			14.12.2011	
APPV'D				

DESCRIPTION:

Swing construction EAGLE

MATERIAL:

rubber, metal, plastic

A4

WEIGHT:

SCALE: 1:30

SHEET 1 OF 6

Tip  **Tip Tap**
Playgrounds

Tiptap OÜ
Veetorni 9,
Jüri alevik, Rae vald,
75301 Harjumaa

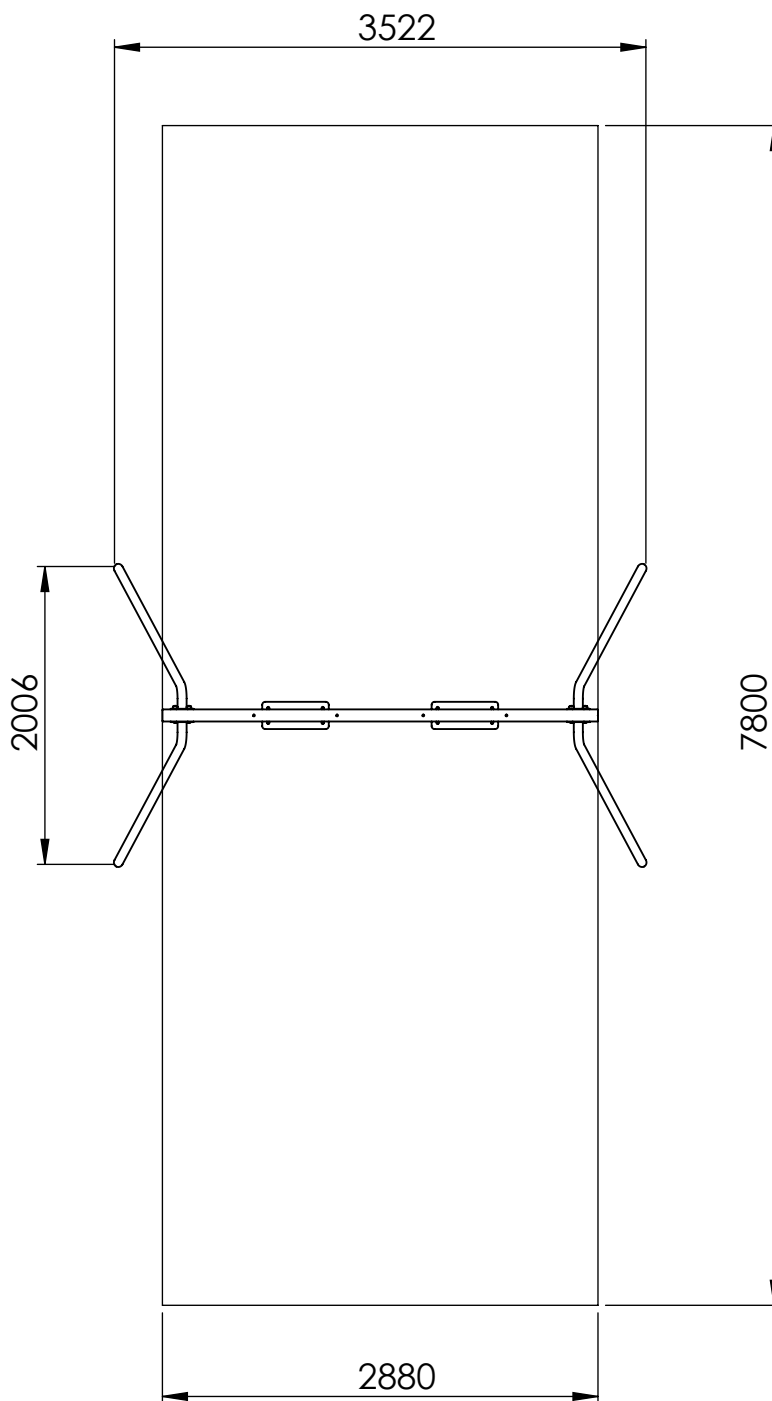
A

B

C

D

E



UNLESS OTHERWISE SPECIFIED:
DIMENSIONS ARE IN MILLIMETERS
WEIGHT ARE IN KILOGRAMM

PART NUMBER / DWG NO.:

K111

	NAME	SIGNATURE	DATE	REVISION
DRAWN			14.12.2011	
APPV'D				

DESCRIPTION:

Swing construction EAGLE

F

Tip Tip Tap
Playgrounds

Tiptaptap OÜ
Veetorni 9,
Jüri alevik, Rae vald,
75301 Harjumaa

MATERIAL:

rubber, metal, plastic

A4

WEIGHT:

SCALE: 1:50

SHEET 2 OF 6

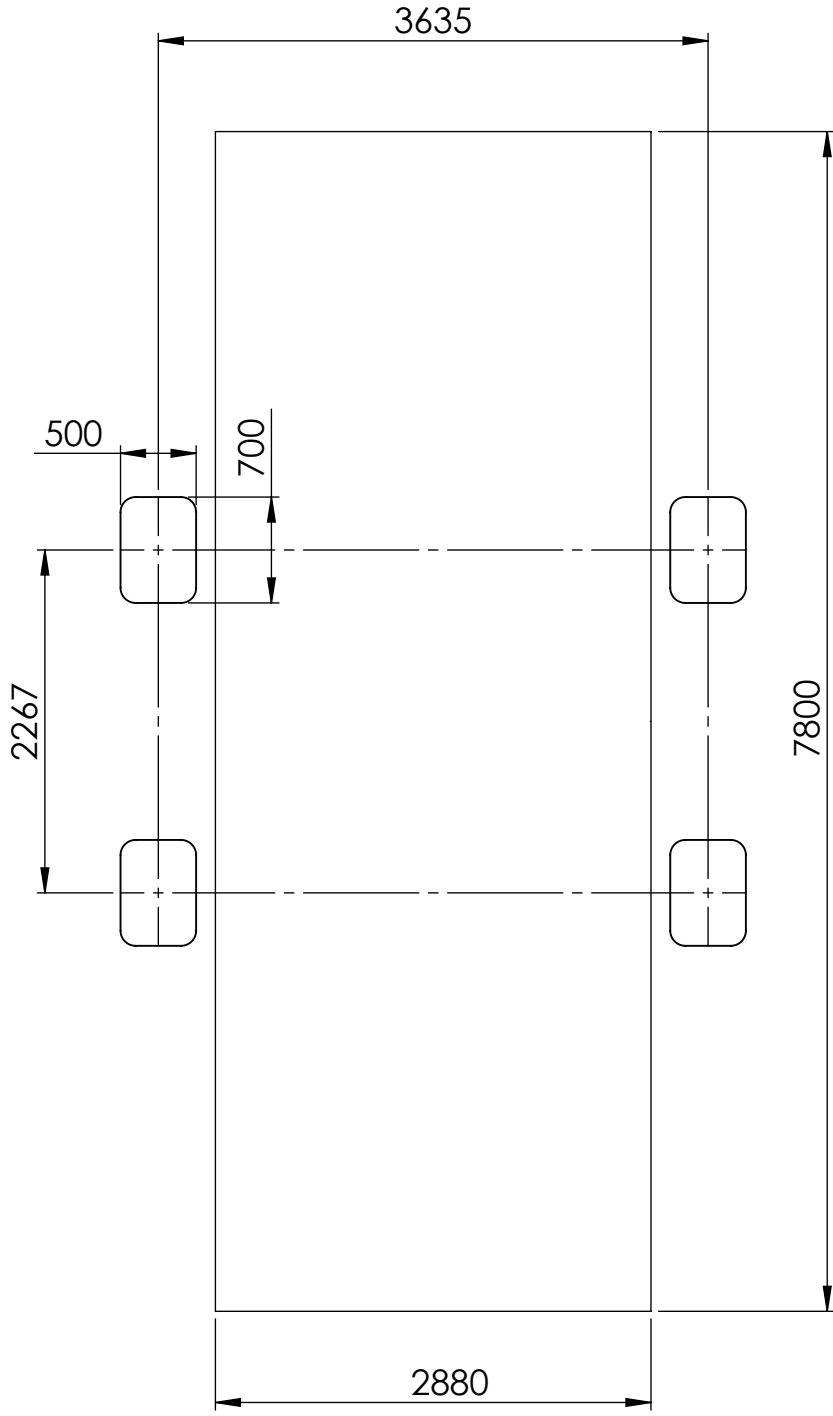
A

B

C

D

E



UNLESS OTHERWISE SPECIFIED:
 DIMENSIONS ARE IN MILLIMETERS
 WEIGHT ARE IN KILOGRAMM

PART NUMBER / DWG NO.:
K111

	NAME	SIGNATURE	DATE	REVISION
DRAWN			14.12.2011	
APPV'D				

DESCRIPTION:
Swing construction EAGLE

Tip Tap Playgrounds
 Tiptaptap OÜ
 Veetorni 9,
 Jüri alevik, Rae vald,
 75301 Harjumaa

MATERIAL: rubber, metal, plastic	A4
WEIGHT:	SCALE: 1:50
	SHEET 3 OF 6

A

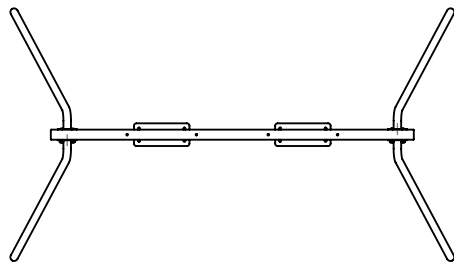
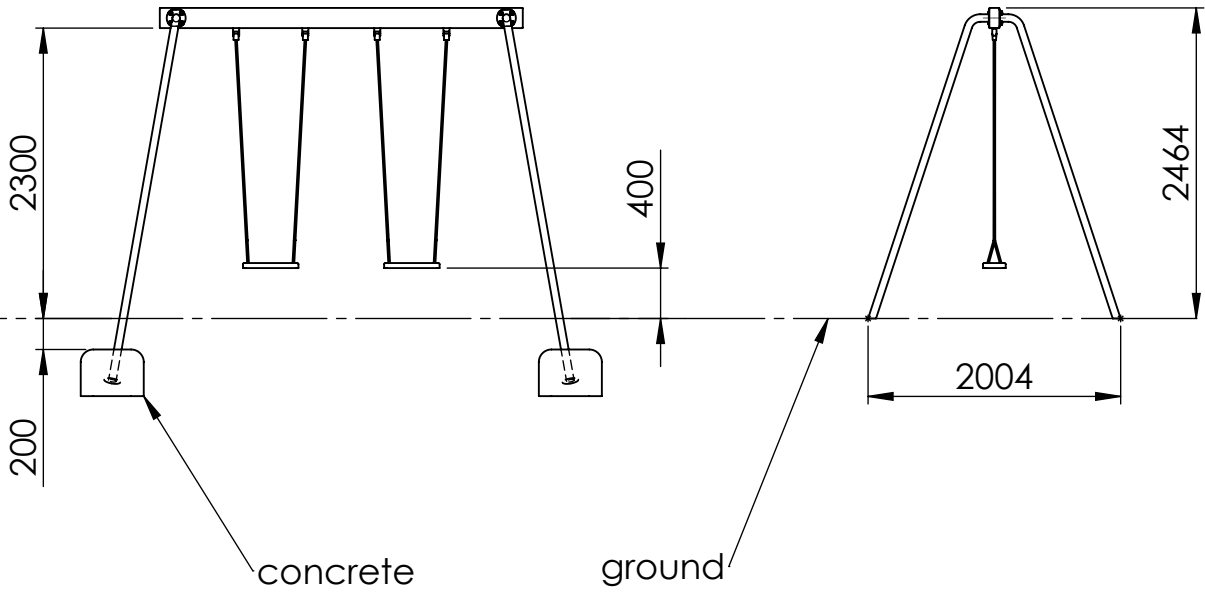
B

C

D

E

F



UNLESS OTHERWISE SPECIFIED:
 DIMENSIONS ARE IN MILLIMETERS
 WEIGHT ARE IN KILOGRAMM

PART NUMBER / DWG NO.:

K111

	NAME	SIGNATURE	DATE	REVISION
DRAWN			14.12.2011	
APPV'D				

DESCRIPTION:

Swing construction EAGLE



Tiptap OÜ
 Veetorni 9,
 Jüri alevik, Rae vald,
 75301 Harjumaa

MATERIAL:

rubber, metal, plastic

A4

WEIGHT:

SCALE: 1:60

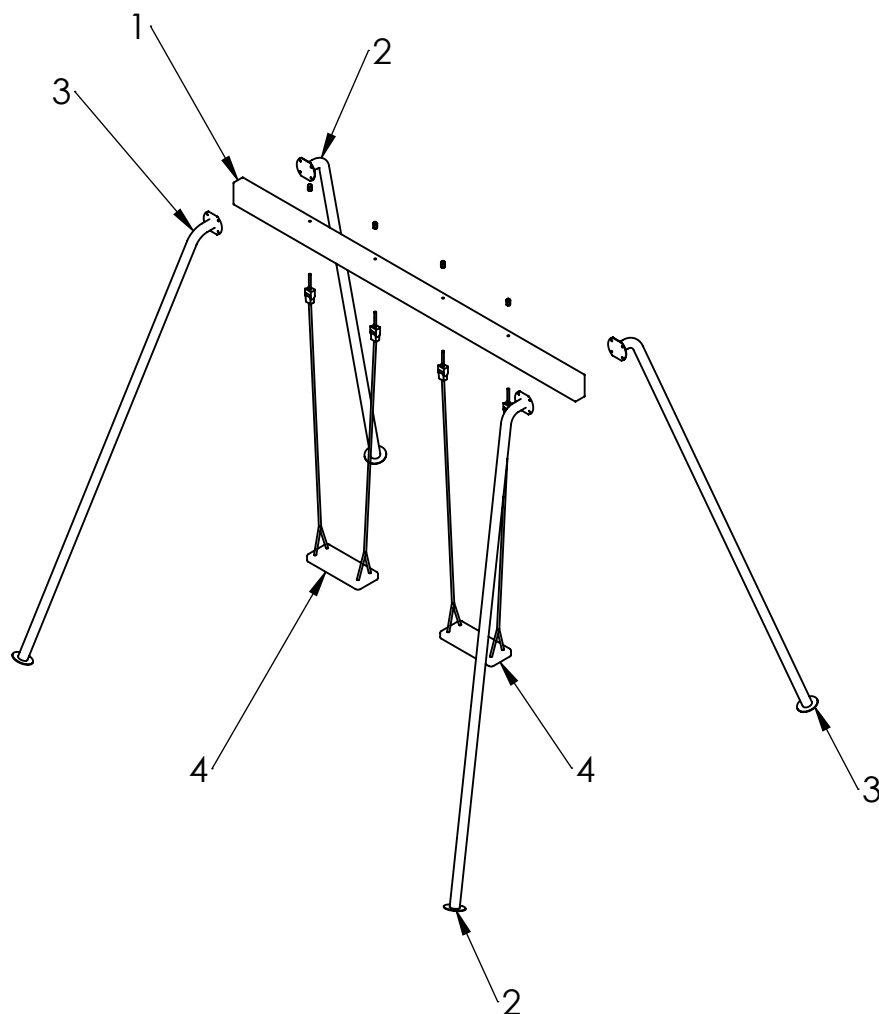
SHEET 4 OF 6

A

B

C

D



E

F

ITEM NO.	PART NUMBER	DESCRIPTION	QTY.
1	beam 80x160x2880	galvanized steel, painted	1
2	leg_right	galvanized steel	2
3	leg_left	galvanized steel	2
4	seat complete with fittings	rubber compound with aluminium insert	2

UNLESS OTHERWISE SPECIFIED:
DIMENSIONS ARE IN MILLIMETERS
WEIGHT ARE IN KILOGRAMM

PART NUMBER / DWG NO.:

K111

	NAME	SIGNATURE	DATE	REVISION
DRAWN			14.12.2011	
APPV'D				

DESCRIPTION:

Swing construction EAGLE

MATERIAL:

rubber, metal, plastic

A4

WEIGHT:

SCALE: 1:45

SHEET 5 OF 6

Tip  **Tip Tap**
Playgrounds

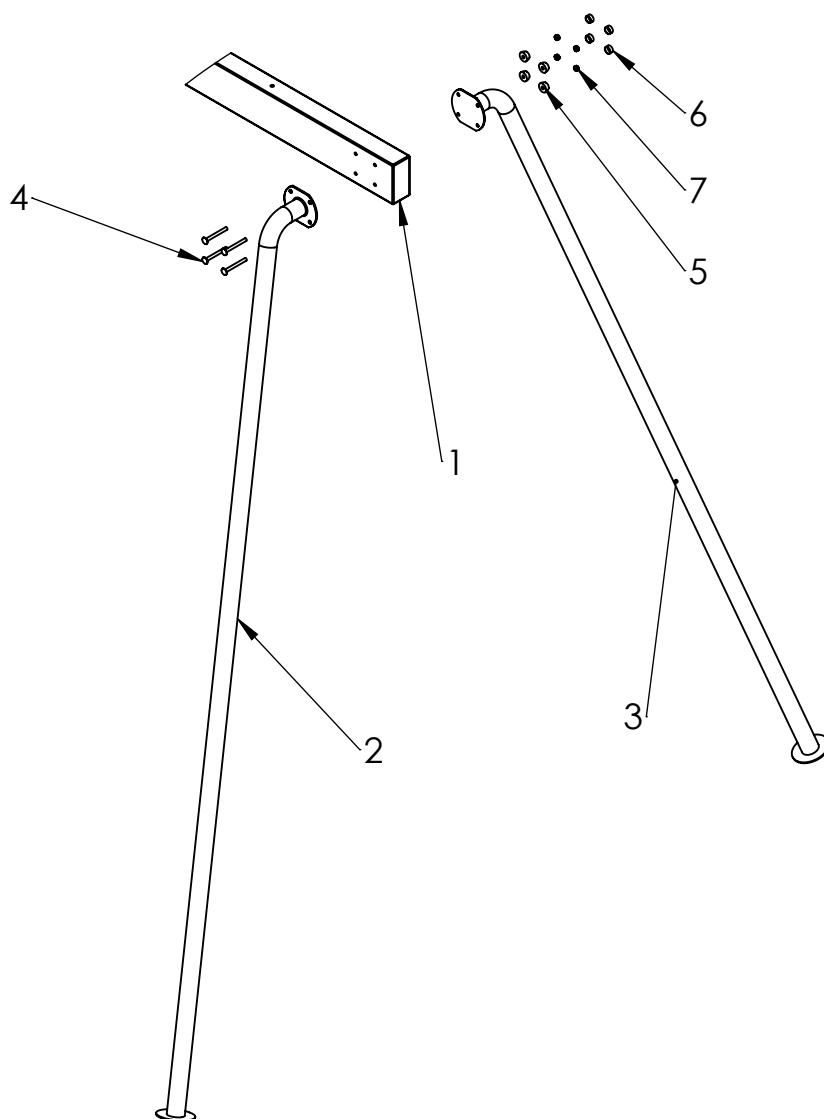
Tiptap OÜ
Veetorni 9,
Jüri alevik, Rae vald,
75301 Harjumaa

A

B

C

D



ITEM NO.	PART NUMBER	DESCRIPTION
1	beam 80x160x2880	galvanized steel, painted
2	leg_right	galvanized steel
3	leg_left	galvanized steel
4	bolt DIN603 M10x100	galvanized steel
5	nut cover M10	PE plastic
6	nut cover cap M10	PE plastic
7	nut DIN985 M10	galvanized steel

UNLESS OTHERWISE SPECIFIED:
DIMENSIONS ARE IN MILLIMETERS
WEIGHT ARE IN KILOGRAMM

PART NUMBER / DWG NO.:

K111

	NAME	SIGNATURE	DATE	REVISION
DRAWN			14.12.2011	
APPV'D				

DESCRIPTION:

Swing construction EAGLE

F

Tip Tip Tap
Playgrounds

Tiptiptap OÜ
Veetorni 9,
Jüri alevik, Rae vald,
75301 Harjumaa

MATERIAL:

rubber, metal, plastic

A4

WEIGHT:

SCALE: 1:25

SHEET 6 OF 6